



BASELINE® S 100. Single-stage gas supply panel.



S 100 C2

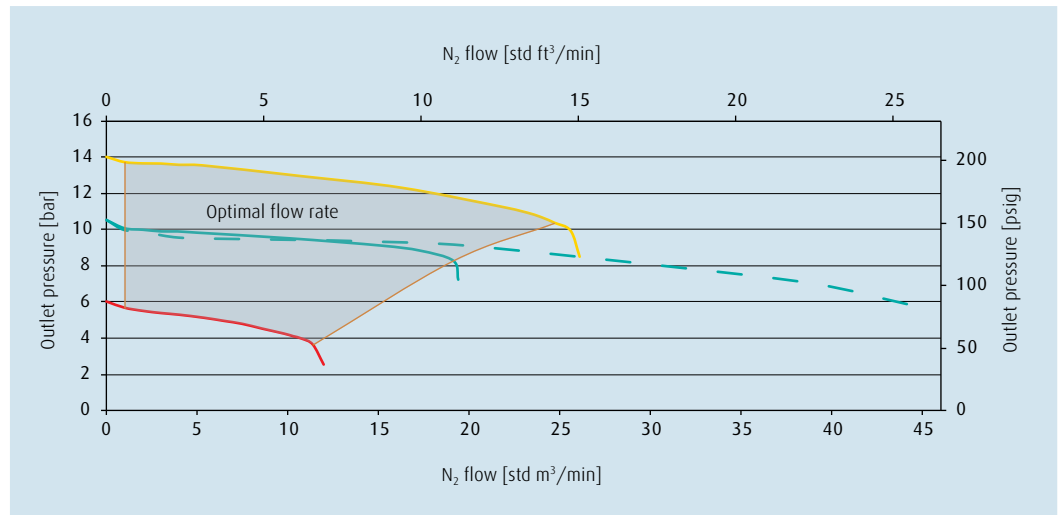
Description Gas panel S 100 is designed for cylinders or bundles containing compressed or condensed gases. It is mounted on a stainless steel console and consists of a pressure regulator, inlet and outlet pressure gauges and a relief valve. The panel can be equipped with an inductive contact gauge (/C model). Inlet and outlet shut-off valves or check valves can be mounted optionally.

Product name	Material	BASELINE code
S 100 C1	Brass	3200
S 100 C2	Brass	3201
S 100/C C1	Brass	3204
S 100/C C2	Brass	3205

Technical data		
Max. inlet pressure	230 bar	3,335 psi
Outlet pressure	2.5–14 bar	35–200 psi
Outlet gauge dial	0–25 bar	0–360 psi
Operating temperature	–20 – +70 °C	–4 – +158 °F
Relief valve set pressure	21.6 bar	313 psi
Connection options	C1: 1 cylinder with coils or hoses C2: 2 cylinders with hoses Additional cylinders with extension manifold	
Process gas in	NPT ¼" female	
Process gas out	NPT ¼" female	
Material:		
– Housing	Brass, Ni/Cr plated	
– Seals	PVDF	
– Diaphragm	Stainless steel	

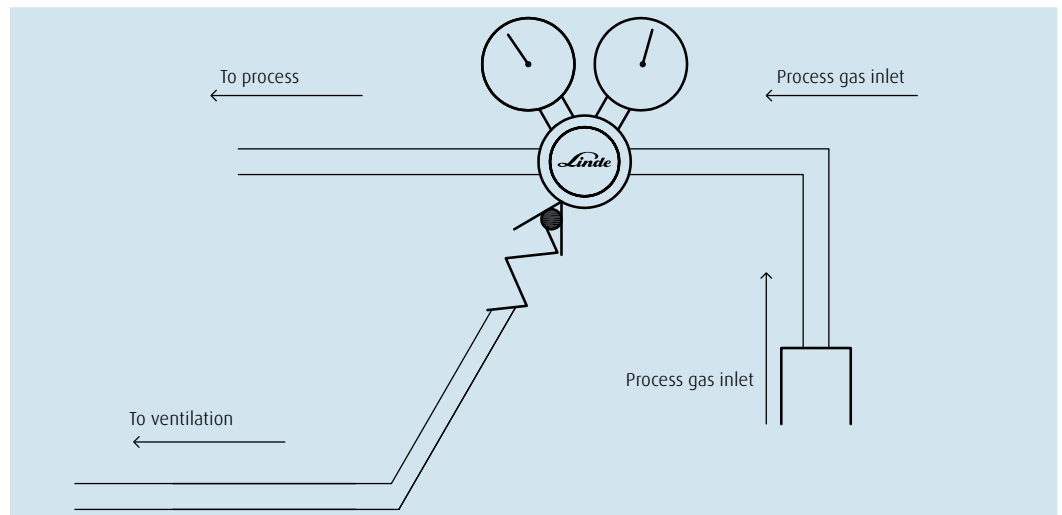


Flow characteristics

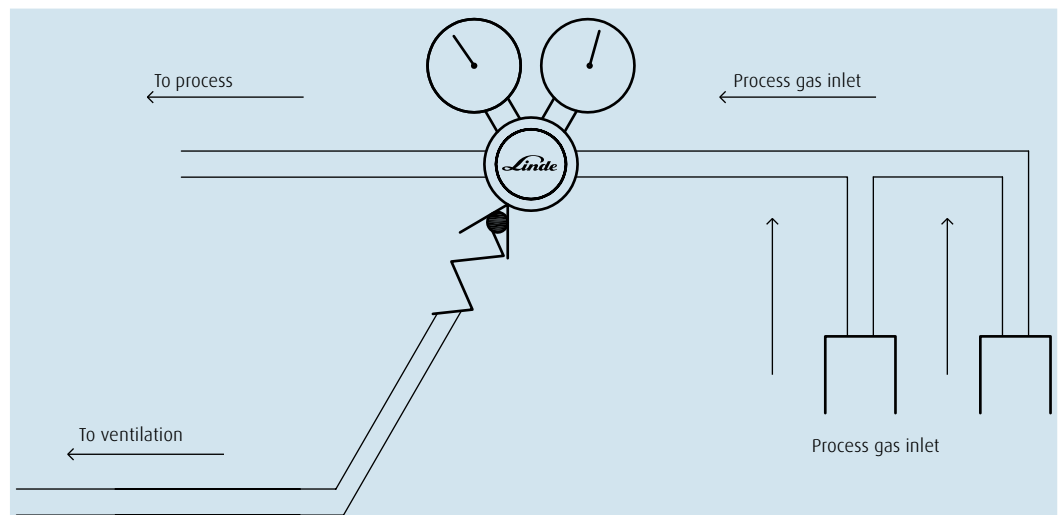


Inlet pressure: — 13 bar (188.5 psig), — 22 bar (315 psig), - - 230 bar (3335 psig), — 29 bar (420.5 psig)

PI diagram

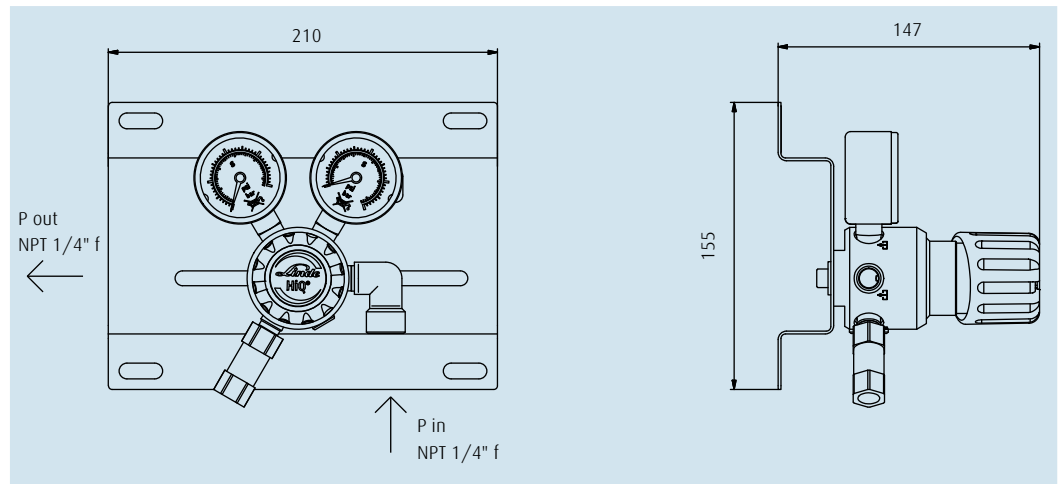


S 100 C1

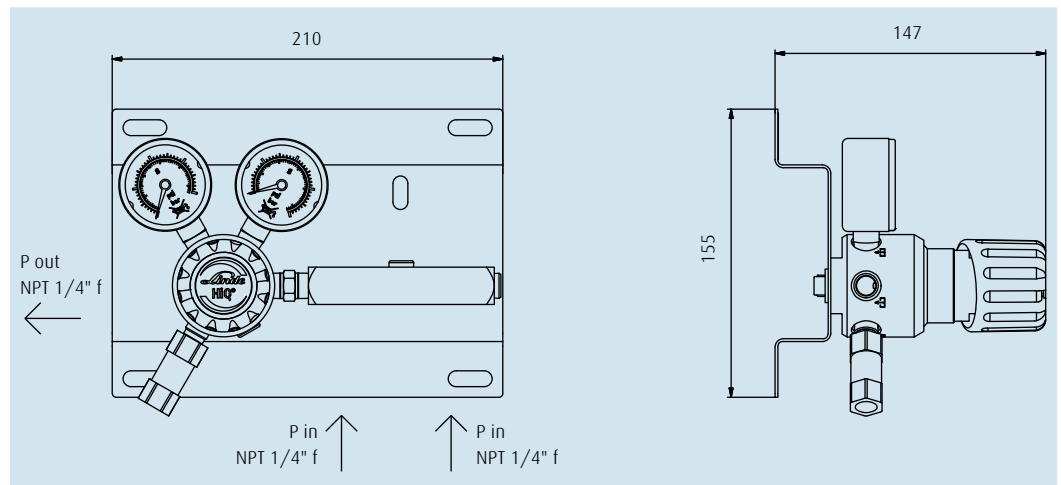


S 100 C2

Drawing



S 100 C1



S 100 C2

