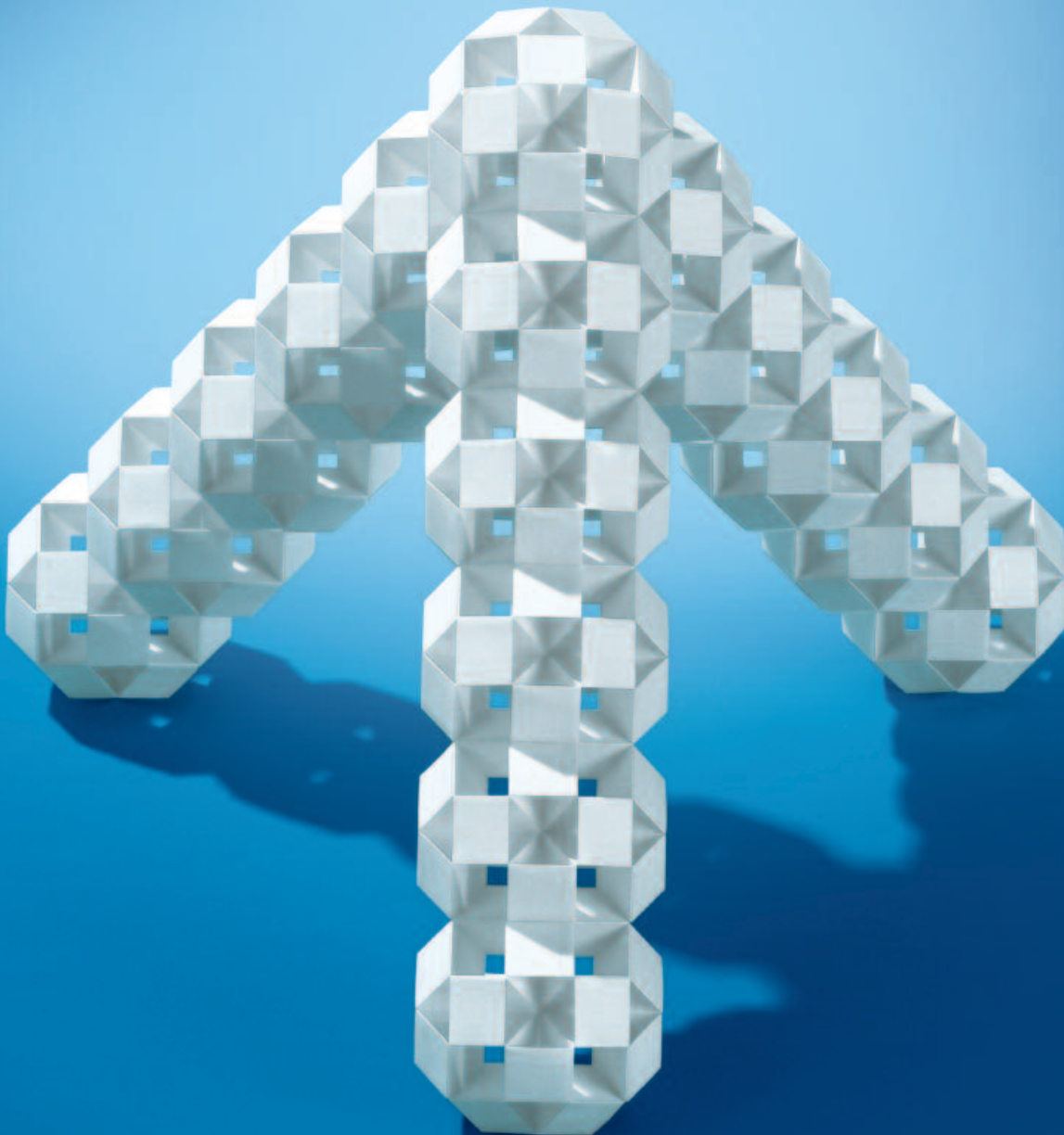


Equipment & gas distribution systems – CleanLine™.

HiQ®. Specialty gas program.



CleanLine™.

Points of use 6.0.

CleanLine™ is a series of points of use equipment and components for purities up to 6.0 (99.9999% pure).

Features:

- Unique design by Christian Bjørn (the famous Danish designer)
- Combined pressure regulator, shut-off and flow regulating valves
- Space saving design
- Easy and quick to mount
- Easy-grip handle
- Full metallic diaphragms in shut-off valve, pressure regulator and flow regulating valve
- Built-in manometer with bar/psi scale

CleanLine™ Points of use P 25. Panel mounting.

The point of use is especially developed for specialty gases with high demands of purity, tightness and safety. The point of use is intended for panel mounting. There are six different models available where “s” stands for shut-off valve, “r” for pressure regulator and “f” for flow regulating valve.

Product name	bar	psi	HiQ® code
P 25 s	n.a.	n.a.	5773
P 25 f	n.a.	n.a.	5774
P 25 r	0-1.5 bar	0-25 psi	5775
P 25 r	0-4 bar	0-60 psi	5776
P 25 r	0-10 bar	0-150 psi	5777
P 25 sr	0-1.5 bar	0-25 psi	5778
P 25 sr	0-4 bar	0-60 psi	5779
P 25 sr	0-10 bar	0-150 psi	5780
P 25 rf	0-1.5 bar	0-25 psi	5781
P 25 rf	0-4 bar	0-60 psi	5782
P 25 rf	0-10 bar	0-150 psi	5783
P 25 srf	0-1.5 bar	0-25 psi	5784
P 25 srf	0-4 bar	0-60 psi	5785
P 25 srf	0-10 bar	0-150 psi	5786

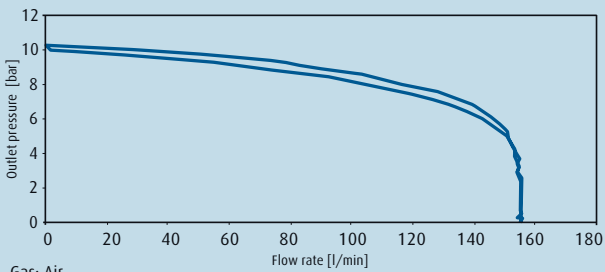
Product name	Model	Outlet code
CL-S, brass	CleanLine™ straight outlet, NPT ¼" female	554
CL-S, stainless steel	CleanLine™ straight outlet, NPT ¼" female	555
CL-45, brass	CleanLine™ 45° outlet, NPT ¼" female	556
CL-45, stainless steel	CleanLine™ 45° outlet, NPT ¼" female	557

Technical data		
Max primary pressure	25 bar	360 psi
Secondary pressure	0-1.5 bar	0-25 psi
	0-4 bar	0-60 psi
	0-10 bar	0-150 psi
Pressure gauge scale	-1-2.5 bar	-14.5-36 psi
	-1-6 bar	-14.5-85 psi
	-1-12 bar	-14.5-174 psi
Operating temperature	-20 - +70°C	-4 - +158°F
Connections	NPT ¼" female	
Material		
Housing	Brass (visible parts chemical Ni-plated)	
Diaphragms		
Stop valve	Hastelloy®	
Regulator	Elgiloy®	
Flow valve	Haynes®	
Seating	PTFE	



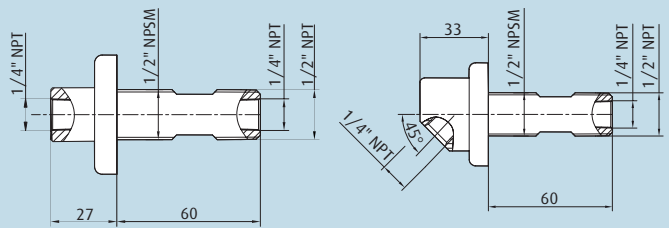
P 25 srf

Typical flow curve for type srf.



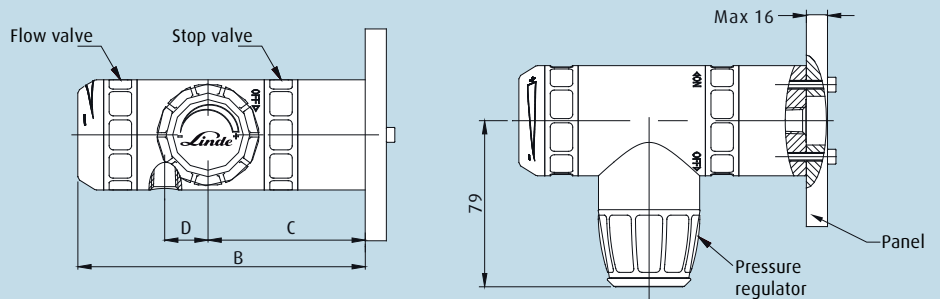
Gas: Air
 Inlet pressure 20 bar
 Outlet pressure 10 bar

CleanLine™ outlets



Design P srf

Type	Dimensions [mm]		
	B	C	D
sr	136	77.5	20.5
srf	136	77.5	20.5
r	109	48	20.5
rf	109	48	20.5



All measurements in millimeters.
 Drawings of type s and f available on request.

CleanLine™ Points of use I 25. Inset design.

The point of use is especially developed for specialty gases with high demands of purity, tightness and safety. The point of use is intended for wall mounting with built-in pipework. Model I 25X is equipped with internal inlet and external outlet. There are eight different models available where “s” stands for shut-off valve, “r” for pressure regulator and “f” for flow regulating valve.

Product name	bar	psi	HiQ® code
I 25 s	n.a.	n.a.	5787
I 25 f	n.a.	n.a.	5788
I 25 r	0-1.5 bar	0-25 psi	5789
I 25 r	0-4 bar	0-60 psi	5790
I 25 r	0-10 bar	0-150 psi	5791
I 25 sr	0-1.5 bar	0-25 psi	5792
I 25 sr	0-4 bar	0-60 psi	5793
I 25 sr	0-10 bar	0-150 psi	5794
I 25 rf	0-1.5 bar	0-25 psi	5795
I 25 rf	0-4 bar	0-60 psi	5796
I 25 rf	0-10 bar	0-150 psi	5797
I 25 srf	0-1.5 bar	0-25 psi	5798
I 25 srf	0-4 bar	0-60 psi	5799
I 25 srf	0-10 bar	0-150 psi	5800
I 25X rf	0-1.5 bar	0-25 psi	5801
I 25X rf	0-4 bar	0-60 psi	5802
I 25X rf	0-10 bar	0-150 psi	5803
I 25X srf	0-1.5 bar	0-25 psi	5804
I 25X srf	0-4 bar	0-60 psi	5805
I 25X srf	0-10 bar	0-150 psi	5806

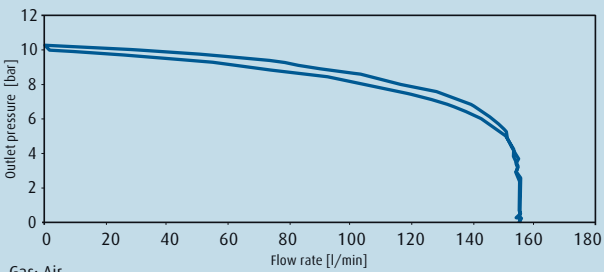
Technical data		
Max primary pressure	25 bar	360 psi
Secondary pressure	0-1.5 bar	0-25 psi
	0-4 bar	0-60 psi
	0-10 bar	0-150 psi
Pressure gauge scale	-1-2.5 bar	-14.5-36 psi
	-1-6 bar	-14.5-85 psi
	-1-12 bar	-14.5-174 psi
Operating temperature	-20 - +70°C	-4 - +158°F
Connections	NPT ¼" female	
Material		
Housing	Brass (visible parts chemical Ni-plated)	
Diaphragms		
Stop valve	Hastelloy®	
Regulator	Elgiloy®	
Flow valve	Haynes®	
Seating	PTFE	

Product name	Model	Outlet code
CL-S, brass	CleanLine™ straight outlet, NPT ¼" female	554
CL-S, stainless steel	CleanLine™ straight outlet, NPT ¼" female	555
CL-45, brass	CleanLine™ 45° outlet, NPT ¼" female	556
CL-45, stainless steel	CleanLine™ 45° outlet, NPT ¼" female	557



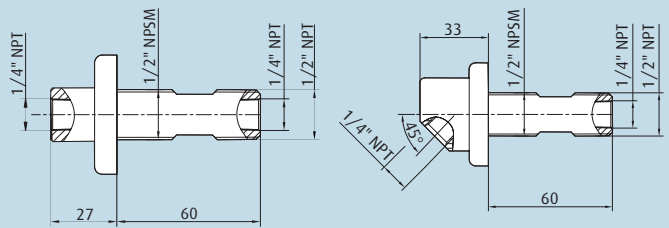
I 25 srf

Typical flow curve for type srf.

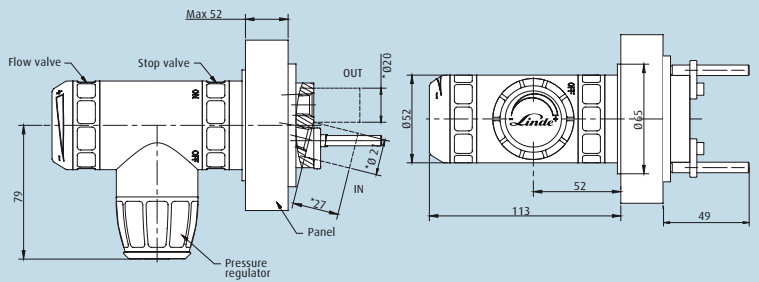


Gas: Air
 Inlet pressure 20 bar
 Outlet pressure 10 bar

CleanLine™ outlets



Design I srf



*Max dimensions of the tube fittings

All measurements in millimeters.
 Other drawings available on request.

CleanLine™ Points of use W 25. Wall mounting.

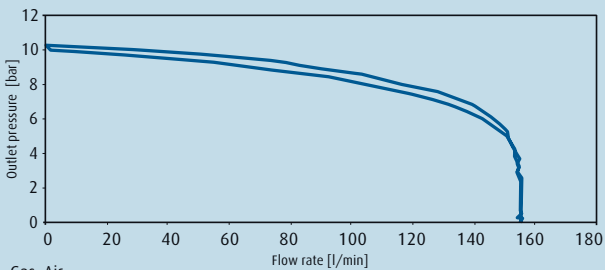
The point of use is especially developed for specialty gases with high demands of purity, tightness and safety. The point of use is intended for wall mounting with exposed pipework. There are six different models available where “s” stands for shut-off valve, “r” for pressure regulator and “f” for flow regulating valve.

Product name	bar	psi	HiQ® code
W 25 s	n.a.	n.a.	5807
W 25 f	n.a.	n.a.	5808
W 25 r	0-1.5 bar	0-25 psi	5809
W 25 r	0-4 bar	0-60 psi	5810
W 25 r	0-10 bar	0-150 psi	5811
W 25 sr	0-1.5 bar	0-25 psi	5812
W 25 sr	0-4 bar	0-60 psi	5813
W 25 sr	0-10 bar	0-150 psi	5814
W 25 rf	0-1.5 bar	0-25 psi	5815
W 25 rf	0-4 bar	0-60 psi	5816
W 25 rf	0-10 bar	0-150 psi	5817
W 25 srf	0-1.5 bar	0-25 psi	5818
W 25 srf	0-4 bar	0-60 psi	5819
W 25 srf	0-10 bar	0-150 psi	5820

Technical data		
Max primary pressure	25 bar	360 psi
Secondary pressure	0-1.5 bar	0-25 psi
	0-4 bar	0-60 psi
	0-10 bar	0-150 psi
Pressure gauge scale	-1-2.5 bar	-14.5-36 psi
	-1-6 bar	-14.5-85 psi
	-1-12 bar	-14.5-174 psi
Operating temperature	-20 - +70°C	-4 - +158°F
Connections	NPT ¼" female	
Material		
Housing	Brass (visible parts chemical Ni-plated)	
Diaphragms		
Stop valve	Hastelloy®	
Regulator	Elgiloy®	
Flow valve	Haynes®	
Seating	PTFE	



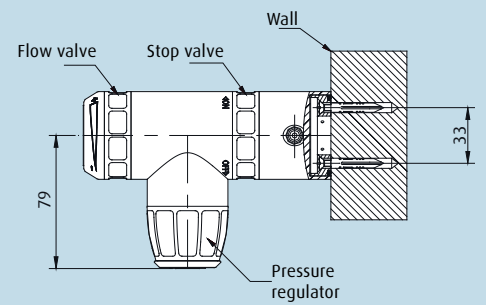
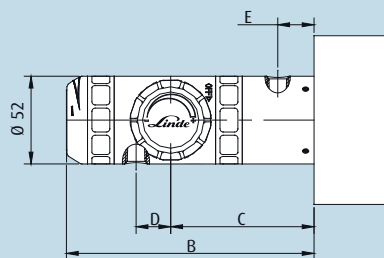
Typical flow curve for type srf.



Gas: Air
 Inlet pressure 20 bar
 Outlet pressure 10 bar

Design W srf

Type	Dimensions [mm]			
	B	C	D	E
sr	147	86	20.5	22.5
srf	147	86	20.5	22.5
r	123	61	20.5	26.5
rf	123	61	20.5	26.5



All measurements in millimeters.
 Drawings of type s and f available on request.

CleanLine™ Points of use B 25.

Bench/suspended mounting.

The point of use is especially developed for specialty gases with high demands of purity, tightness and safety. The point of use is intended for mounting on a bench or in the ceiling. There are six different models available where “s” stands for shut-off valve, “r” for pressure regulator and “f” for flow regulating valve.

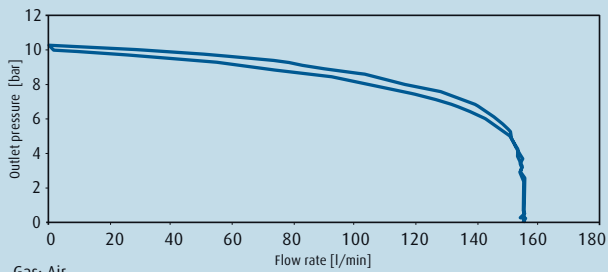
Product name	bar	psi	HiQ® code
B 25 s	n.a.	n.a.	5821
B 25 f	n.a.	n.a.	5822
B 25 r	0–1.5 bar	0–25 psi	5823
B 25 r	0–4 bar	0–60 psi	5824
B 25 r	0–10 bar	0–150 psi	5825
B 25 sr	0–1.5 bar	0–25 psi	5826
B 25 sr	0–4 bar	0–60 psi	5827
B 25 sr	0–10 bar	0–150 psi	5828
B 25 rf	0–1.5 bar	0–25 psi	5829
B 25 rf	0–4 bar	0–60 psi	5830
B 25 rf	0–10 bar	0–150 psi	5831
B 25 srf	0–1.5 bar	0–25 psi	5832
B 25 srf	0–4 bar	0–60 psi	5833
B 25 srf	0–10 bar	0–150 psi	5834

Technical data		
Max primary pressure	25 bar	360 psi
Secondary pressure	0–1.5 bar	0–25 psi
	0–4 bar	0–60 psi
	0–10 bar	0–150 psi
Pressure gauge scale	–1–2.5 bar	–14.5–36 psi
	–1–6 bar	–14.5–85 psi
	–1–12 bar	–14.5–174 psi
Operating temperature	–20 – +70°C	–4 – +158°F
Connections	NPT ¼" female	
Material		
Housing	Brass (visible parts chemical Ni-plated)	
Diaphragms		
Stop valve	Hastelloy®	
Regulator	Elgiloy®	
Flow valve	Haynes®	
Seating	PTFE	



B 25 srf

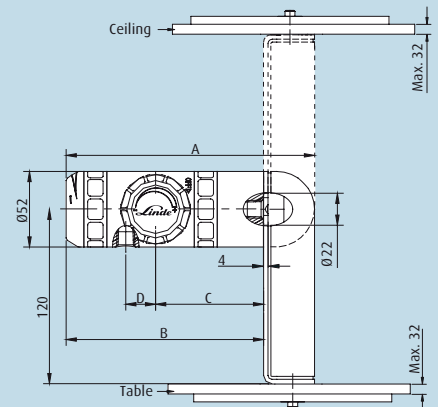
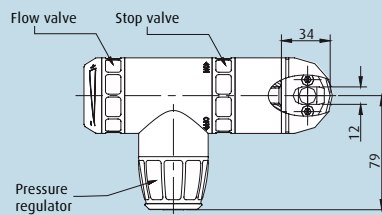
Typical flow curve for type srf.



Gas: Air
 Inlet pressure 20 bar
 Outlet pressure 10 bar

Design B srf

Type	Dimensions [mm]			
	A	B	C	D
sr	171	136	77.5	20.5
srf	171	136	77.5	20.5
r	144	109	48	20.5
rf	144	109	48	20.5



All measurements in millimeters.
 Other drawings available on request.

Getting ahead through innovation.

With its innovative concepts, Linde Gas is playing a pioneering role in the global market. As a technology leader, it is our task to constantly raise the bar. Traditionally driven by entrepreneurship, we are working steadily on new high-quality products and innovative processes.

Linde Gas offers more. We create added value, clearly discernible competitive advantages, and greater profitability. Each concept is tailored specifically to meet our customers' requirements – offering standardized as well as customized solutions. This applies to all industries and all companies regardless of their size.

If you want to keep pace with tomorrow's competition, you need a partner by your side for whom top quality, process optimization, and enhanced productivity are part of daily business. However, we define partnership not merely as being there for you but being with you. After all, joint activities form the core of commercial success.

Linde – ideas become solutions.