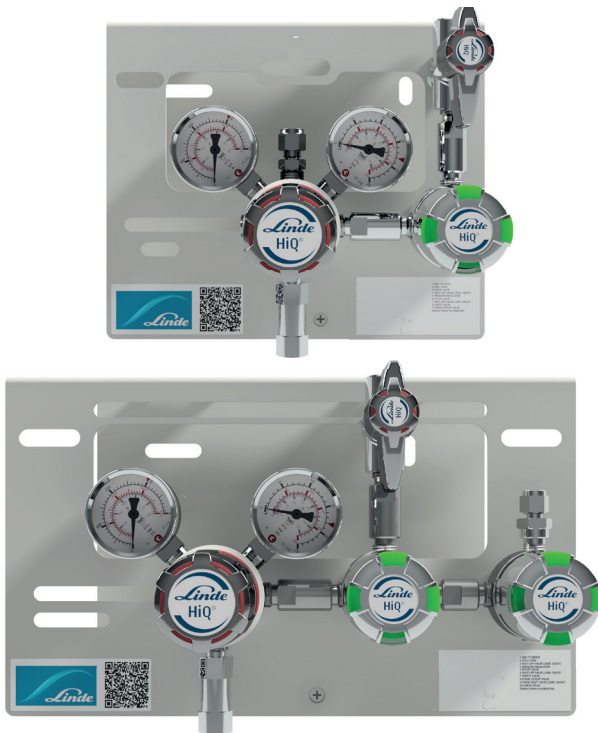


# MANIFOLD

S300 | S200 | S60 | S203

BRASS CHROME PLATED | STAINLESS STEEL | SINGLE STAGE

INSTRUCTION FOR USE - MULTI LANGUAGE VERSION



EN

DE

FR

HU

ES

DA

PT

NL

PL

CS

FI

SV

IT

NO

**IMPORTANT!**

Read carefully before use! Keep the manual for future consultation!



## MANIFOLD

S300 | S200 | S60 | S203 - INSTRUCTION FOR USE  
BRASS CHROME PLATED AND STAINLESS STEEL | SINGLE AND DUAL STAGE

## ENTSPANNUNGSSTATION

S300 | S200 | S60 | S203 - GEBRAUCHSANLEITUNG  
MESSING VERCHROMT UND EDELSTAHL | EINSTUFIG UND ZWEISTUFIG

## POSTE DE DÉTENTE

S300 | S200 | S60 | S203 - MODE D'EMPLOI  
LAITON CHROMÉ ET ACIER INOXYDABLE | MONO ET BI-ÉTAGÉ

## TEHERMENTESÍTŐ ÁLLOMÁS

S300 | S200 | S60 | S203 - HASZNÁLATI ÚTMUTATÓ  
KRÓMOZOTT SÁRGARÉZ ÉS NEMESACÉL | EGYFOKOZATÚ ÉS KÉTFOKOZATÚ

## TEHERMENTESÍTŐ ÁLLOMÁS

S300 | S200 | S60 | S203 - MANUAL DE INSTRUCCIONES  
LATÓN CROMADO Y ACERO INOXIDABLE | UNO Y DOS FASES

## AFSPÆNDINGSSTATION

S300 | S200 | S60 | S203 - BRUGSVEJLEDNING  
MESSINGFORKROMET OG RUSTFRI STÅL | ET-TRINS OG TO-TRINS

## ESTAÇÃO DE ALÍVIO

S300 | S200 | S60 | S203 - INSTRUÇÕES DE USO  
LATÃO CROMADO E AÇO INOXIDÁVEL | DE UM ESTÁGIO E DE DOIS ESTÁGIOS

## DRUKREGELSTATION

S300 | S200 | S60 | S203 - GEBRUIKSAANWIJZING  
MESSING VERCHROOMD EN ROESTVRIJ STAAL | EENTRAPS EN TWEETRAPS

## STACJA ROZPREŻANIA GAZU

S300 | S200 | S60 | S203 - INSTRUKCJA OBSŁUGI  
CHROM MOSIĄDZ I STAL NIERDZEWNA JEDNO-ETAPOWE I DWU-ETAPOWE

## PANEL

S300 | S200 | S60 | S203 - NÁVOD K POUŽITÍ  
CHROMOVANÁ MOSAZ A NEREZOVÁ OCEL | JEDNOSTUPŇOVÝ A DVOUSTUPŇOVÝ

## JAKELUPUTKISTO

S300 | S200 | S60 | S203 - KÄYTTÖOHJE  
KROMIPINNOITETTUA MESSINKIÄ JA RUOSTUMATONTA TERÄSTÄ | YKSI- JA KAKSIVAIHEINEN

## TÖMNINGSCENTRAL

S300 | S200 | S60 | S203 - BRUKSANVISNING  
FÖRKROMAD MÄSSING OCH ROSTFRITT STÅL | ENSTEGS OCH TVÅSTEGS

## STAZIONE DI DECOMPRESSIONE

S300 | S200 | S60 | S203 - ISTRUZIONI PER L'USO  
OTTONE CROMATO E ACCIAIO INOX | MONOSTADIO E BISTADIO

## TRYKKAVLASTNINGS-STASJON

S300 | S200 | S60 | S203 - BRUKSANVISNING  
FORKROMMET MESSING – RUSTFRITT STÅL | ETT- OG TOTRINNS

EN

DE

FR

HU

ES

DA

PT

NL

PL

CS

FI

SV

IT

NO

**IMPORTANT!**

Read carefully before use!

Keep the manual for future consultation!

**WICHTIG!**

Vor Gebrauch sorgfältig lesen!

Bewahren Sie die Gebrauchsanweisung für späteres Nachschlagen auf!

**IMPORTANT!**

Lire attentivement avant utilisation !

Conservez le mode d'emploi pour vous y référer ultérieurement !

**FONTOS!**

Használat előtt figyelmesen olvassa el!

Órízze meg a használati utasítást a későbbi használatához!

**¡¡IMPORTANTE!**

¡Leer atentamente antes de usar!

Conserve el manual de instrucciones para futuras consultas.

**VIGTIG!**

Læses omhyggeligt før brug!

Gem brugsanvisningen til senere brug!

**IMPORTANTE!**

Ler com atenção antes de usar!

Guarde estas instruções de uso para consultar mais tarde!

**BELANGRIJK!**

Voor gebruik zorgvuldig lezen!

Bewaar de gebruiksaanwijzing voor toekomstig gebruik!

**WAŻNE!**

Przeczytać uważnie przed użyciem!

Instrukcję obsługi należy zachować do wykorzystania w przyszłości!

**DŮLEŽITÉ!**

Před použitím si pečlivě přečtěte!

Uschovejte návod k použití pro pozdější použití!

**TÄRKEÄÄ!**

Lue huolellisesti ennen käyttöä!

Säilytä käyttöohje, jotta voi tarkistaa sen tietoja myöhemmin!

**VIKTIG!**

Läs instruktionerna noggrant innan användning och behåll manualen för framtida bruk!

**IMPORTANTE!**

Leggere bene prima dell'uso!

Conservate le istruzioni per l'uso per riferimenti futuri!

**VIKTIG!**

Leses nøye før bruk.

Oppbevar bruksanvisningen slik at den senere kan slås opp i.

CONTENT

- 1. GENERAL .....4**
  - 1.1. INFORMATION ABOUT THIS INSTRUCTIONS MANUAL .....4
  - 1.2. INFORMATION ABOUT THIS MANIFOLD .....4
    - 1.2.1. S300/S200/S60.....5
    - 1.2.2. S203 .....5
  - 1.3. EXPLANATION OF SYMBOLS .....5
  - 1.4. LIMITATIONS OF LIABILITY .....6
  - 1.5. COPYRIGHT .....6
  - 1.6. SPARE PARTS.....6
  - 1.7. WARRANTY PROVISION.....7
  - 1.8. CUSTOMER SERVICE .....7
- 2. SAFETY .....7**
  - 2.1. INTENDED USE.....7
    - 2.1.1. STRUCTURAL CHANGES AT THE MANIFOLD .....7
  - 2.2. FUNDAMENTAL RISKS .....7
  - 2.3. OPERATOR'S RESPONSIBILITY .....8
  - 2.4. PERSONNEL REQUIREMENTS.....9
    - 2.4.1. QUALIFICATIONS .....9
    - 2.4.2. UNAUTHORIZED PERSONNEL .....9
    - 2.4.3. TRAINING .....10
  - 2.5. PERSONAL PROTECTIVE EQUIPMENT .....10
  - 2.6. BEHAVIOR IN CASE OF FIRE OR ACCIDENT .....11
  - 2.7. ENVIRONMENTAL PROTECTION .....11
  - 2.8. SIGNAGE .....11
    - 2.8.1. SIGNS THAT GIVE ORDERS .....11
    - 2.8.2. SIGNS INDICATING BANS .....11
    - 2.8.3. WARNING SIGNS.....11
- 3. TECHNICAL SPECIFICATIONS .....12**
  - 3.1. FLOW SCHEME – S300/S200/S60 .....12
  - 3.2. DIMENSION SHEET – S300/S200/S60 .....13
  - 3.3. FLOW SCHEME – S203.....14
  - 3.4. DIMENSION SHEET – S203.....15
  - 3.5. GENERAL INFORMATION.....16
  - 3.6. CONNECTION VALUES.....16
  - 3.7. PERFORMANCE VALUE.....16
  - 3.8. OPERATING CONDITIONS .....16
- 4. SET-UP AND FUNCTION ..... 17**
  - 4.1. OVERVIEW – S300/S200/S60 .....17
  - 4.2. OVERVIEW – S203.....17
  - 4.3. BRIEF DESCRIPTION.....17
- 5. TRANSPORT, PACKAGING AND STORAGE .....18**
  - 5.1. SAFETY INFORMATION FOR TRANSPORTATION .....18
  - 5.2. TRANSPORT INSPECTION.....18
  - 5.3. PACKAGING.....19
  - 5.4. STORAGE.....19
- 6. INSTALLATION AND INITIAL START-UP .....19**
  - 6.1. SAFETY NOTES FOR INSTALLATION AND INITIAL START-UP.....19
  - 6.2. PREPARATION .....19
  - 6.3. INSTALLATION.....19
  - 6.4. REQUIRED QUALIFICATIONS FOR INITIAL START-UP AND CYLINDER CHANGING .....20
  - 6.5. INITIAL START UP.....20
    - 6.5.1. PROCESS GAS PURGING (S300/S200/S60) .....20
    - 6.5.2. EXTERNAL INERT GAS PURGING (S203).....21
    - 6.5.3. FILL THE PROCESS GAS TUBING WITH PROCESS GAS .....21
    - 6.5.4. CHANGE EMPTY GAS CYLINDER .....21
    - 6.5.5. TAKING MANIFOLD OUT OF OPERATION .....21
  - 6.6. TESTS.....22



- 7. OPERATION ..... 22
- 8. MAINTENANCE ..... 22
  - 8.1. SAFETY NOTES FOR MAINTENANCE ..... 22
  - 8.2. MAINTENANCE PLAN ..... 22
  - 8.3. MAINTENANCE WORK ..... 23
    - 8.3.1. CLEANING ..... 23
    - 8.3.2. REQUIREMENTS FOR MAINTENANCE ..... 23
    - 8.3.3. NECESSARY MAINTENANCE ..... 23
  - 8.4. MEASURES FOLLOWING MAINTENANCE ..... 23
- 9. TROUBLESHOOTING ..... 23
  - 9.1. SAFETY NOTES FOR TROUBLESHOOTING ..... 23
- 10. DISMANTLING AND DISPOSAL ..... 26
  - 10.1. SAFETY NOTES FOR DISMANTLING AND DISPOSAL ..... 26
  - 10.2. DISMANTLING ..... 26
  - 10.3. DISPOSAL ..... 26

# ENGLISH

## INSTRUCTION FOR USE: MANIFOLD

EN

### 1. GENERAL

#### 1.1. INFORMATION ABOUT THIS INSTRUCTIONS MANUAL

This instruction is only intended for use with manifold product type:

- S300/S200/S60
- S203
- S200
- S60

Manifolds of this type are suitable to take gas out of gas cylinder or bundle and reduce the pressure. These manifolds were installed as permanently wall assembly and are connected to gas cylinder or bundle with coil or hose.

These instructions enable you to operate the system safely and efficiently. These instructions form an integral part of the system and must always be kept with the system and within easy reach of staff at all times.

Prior to commencing any work, the staff must read these instructions carefully and understand the contents. Observance of all the safety information and instructions for operation that are contained in these instructions is essential to ensure work safety.

Local accident prevention regulations and general safety regulations governing the use of the system must also be observed.

Illustrations in these instructions serve to ensure a basic understanding of the system and may differ from the actual version.

#### 1.2. INFORMATION ABOUT THIS MANIFOLD

Manifolds of this type are only suitable for gases defined as standard gas. The maximum working pressure for these manifolds is 300 bar.

Single stage manifolds consists of valves and a pressure regulator with metal diaphragm, created and approved as ISO7291/ISO10297 including oxygen shock test.

Product line	(Purity 6.0   Brass chrome plated)	(Purity 6.0   stainless steel)
High Pressure Regulator with <b>FKM</b> Relief Valve Seat	<ul style="list-style-type: none"> <li>• Suitable Gases (including their mixtures)               <ul style="list-style-type: none"> <li>• High Purity</li> <li>• Inert</li> <li>• Flammable</li> <li>• Oxidizing</li> <li>• Use for O<sub>2</sub></li> </ul> </li> <li>• Not Suitable Gases (including their mixtures)               <ul style="list-style-type: none"> <li>• Corrosive</li> <li>• Toxic</li> <li>• CO<sub>2</sub>, N<sub>2</sub>O</li> </ul> </li> </ul>	<ul style="list-style-type: none"> <li>• Suitable Gases (including their mixtures)               <ul style="list-style-type: none"> <li>• High Purity</li> <li>• Inert</li> <li>• Flammable</li> <li>• O<sub>2</sub> up to 200 bar</li> <li>• Corrosive (in doubt ask)</li> <li>• Toxic (in doubt ask)</li> </ul> </li> <li>• Not Suitable Gases (including their mixtures)               <ul style="list-style-type: none"> <li>• O<sub>2</sub> (above 200 bar)</li> <li>• CO<sub>2</sub>, N<sub>2</sub>O</li> <li>• NH<sub>3</sub>, SO<sub>2</sub>, H<sub>2</sub>S</li> </ul> </li> </ul>

<p>High Pressure Regulator with EPDM Relief Valve Seat</p>	<ul style="list-style-type: none"> <li>• Suitable Gases (including their mixtures)             <ul style="list-style-type: none"> <li>• High Purity</li> <li>• Inert</li> <li>• Flammable</li> <li>• Oxidizing</li> <li>• Use for CO<sub>2</sub>, N<sub>2</sub>O</li> <li>• Not Suitable Gases (including their mixtures)                 <ul style="list-style-type: none"> <li>• Corrosive</li> <li>• Toxic</li> <li>• Not for O<sub>2</sub> (share greater than 21%)                     <ul style="list-style-type: none"> <li>• Hydrocarbons</li> </ul> </li> </ul> </li> </ul> </li> </ul>	<ul style="list-style-type: none"> <li>• Suitable Gases (including their mixtures)             <ul style="list-style-type: none"> <li>• High Purity</li> <li>• Inert</li> <li>• Flammable</li> <li>• Oxidizing</li> <li>• Corrosive (in doubt ask)</li> <li>• Toxic (in doubt ask)</li> <li>• Use for CO<sub>2</sub>, N<sub>2</sub>O</li> <li>• Use for NH<sub>3</sub>, SO<sub>2</sub>, H<sub>2</sub>S</li> </ul> </li> <li>• Not Suitable Gases (including their mixtures)             <ul style="list-style-type: none"> <li>• Not for O<sub>2</sub> (share greater than 21%)                 <ul style="list-style-type: none"> <li>• Hydrocarbons</li> </ul> </li> </ul> </li> </ul>
------------------------------------------------------------	--------------------------------------------------------------------------------------------------------------------------------------------------------------------------------------------------------------------------------------------------------------------------------------------------------------------------------------------------------------------------------------------------------------------------------------------------------------------------------------------------------------------------------------------------------------------------------------------------	------------------------------------------------------------------------------------------------------------------------------------------------------------------------------------------------------------------------------------------------------------------------------------------------------------------------------------------------------------------------------------------------------------------------------------------------------------------------------------------------------------------------------------------------------------------------------------------------------------------------------------------------------------------------------------------

This table is not exhaustive. For questions and ambiguities please contact manufacturer.

### 1.2.1. S300/S200/S60

This manifold is available in brass chrome plated and stainless steel. It consists of the following components:

- Pressure regulator with inlet pressure & outlet pressure gauge
- Purge valve for process gas purging and 4-Port shut-off valve at inlet
- Relief valve
- Front plate and ground plate

*SPECIALS*

- S: safety valve at outlet
- C: check valves at inlets
- U: safety valve at outlet and check valves at inlets

### 1.2.2. S203




This manifold is only available in stainless steel. It consists of the following components:

- Pressure regulator with inlet pressure & outlet pressure gauge
- Two 4-port purge valves for external inert gas purging and one purge valve
- Relief valve
- Front plate and ground plate

*SPECIALS*

- S: safety valve at outlet

## 1.3. EXPLANATION OF SYMBOLS

<p><b>SAFETY INFORMATION</b></p>	<p>Safety information is highlighted by symbols in these instructions. This safety information is preceded by signal words that define the extent of risk.</p>
	<p><b>DANGER!</b></p> <p>This combination of symbol and signal word indicates an immediately dangerous situation that will cause death or severe injury if not avoided.</p>
	<p><b>WARNING!</b></p> <p>This combination of symbol and signal word indicates a possibly dangerous situation that can cause death or severe injury if not avoided.</p>
	<p><b>BEWARE!</b></p> <p>This combination of symbol and signal word indicates a possibly dangerous situation that can cause minor injury if not avoided.</p>

**NOTE!**

This combination of symbol and signal word indicates a possibly dangerous situation that can cause property and environmental damage if not avoided.

**TIPS AND RECOMMENDATIONS**

This symbol highlights useful tips and recommendations, together with help for ensuring efficient and trouble-free operation.

## SPECIAL SAFETY INFORMATION

The following symbols are used in the safety information to draw your attention to particular risks.

**DANGER!**

This combination of symbol and signal word indicates an immediately dangerous situation involving electrical current. Ignoring such a warning could result in severe or fatal injuries.

## 1.4. LIMITATIONS OF LIABILITY

All of the information and notes in these instructions have been compiled in accordance with applicable standards and regulations. They reflect best engineering practice and our years of experience.

The manufacturer accepts no liability for damages in the following instances:

- Failure to observe these instructions
- Utilization of the system for any other than the intended purpose
- Operation by untrained staff
- Unauthorized modifications
- Technical modifications
- Use of unlicensed spare parts
- Working with the gas supply panel when any safety device is broken or not functional mounted or safety devices don't work correctly
- Improper control of components, connections and gaskets, which are wearing parts.
- Incorrect repairs
- Violation of temperature limits, which are dedicated in the datasheet during operation or storage
- In case of disaster or force majeure

The actual scope of supply may differ from the explanations and illustrations in these instructions following the incorporation of new technical changes.

The obligations stipulated in the supply agreement, our general terms and conditions of business, the manufacturer's terms and conditions of supply and the statutory regulations in force at the time of contract conclusion apply.

## 1.5. COPYRIGHT

The contents of these instructions are protected by copyright. They may be used in connection with the operation of the system. Any other use above and beyond the aforementioned is only permitted with the written consent of the manufacturer.

## 1.6. SPARE PARTS

**WARNING!**

- Risk of injury from using incorrect spare parts!
- The use of incorrect or defective spare parts can result in risks for the operating staff and in damages, malfunctions or total failure of the system.
- Only use original spare parts from the manufacturer or spare parts authorized by the manufacturer.
- Always consult the manufacturer if in doubt.

**LOSS OF WARRANTY**

- The manufacturer's warranty lapses if unauthorized spare parts are used.

## 1.7. WARRANTY PROVISION

In principle, our "General Terms and Conditions of Sale and Delivery" shall apply. These are available to the customer at the latest since the conclusion of the contract.

## 1.8. CUSTOMER SERVICE

Please do not hesitate to provide us with information and experiences gained through use; we welcome any valuable input that will help to improve our products.

# 2. SAFETY

This section provides an overview of all the important safety aspects to ensure the protection of your staff and the safe and trouble-free operation of the equipment. Further safety information relating to specific tasks can be found in the sections on the individual life cycle phases.

## 2.1. INTENDED USE

The manifold is only usable for the defined standard gases and pressures observing the given temperature range. The maximum flow is 20 m<sup>3</sup>/h (Air).

Intended use also includes compliance with all the information in these instructions and compliance with reparation, maintenance working, type label and data sheets.

Any use other than, or above and beyond, the intended use constitutes improper use.



### WARNING!

- **Danger from improper use!**
- Improper use of the system can lead to dangerous situations.
- Never use the manifold with liquid fluids.
- Never connect sources with higher input pressures than intended for the corresponding pressure control panel.

### 2.1.1. STRUCTURAL CHANGES AT THE MANIFOLD

Without written approval of manufacturer no extensions, additions or alternations are allowed on the manifold.

Components which are not in perfect condition have to be changed immediately.

Cleaning of manifold and disposal of residues



Used components which are ready for reparation has to be purged with an inert gas (nitrogen) before.

Noise Generation

In some cases when specific influence quantities collaborate together, e.g. flow and pressure range can cause noise generation or the gas itself. If this happens please contact manufacturer.

## 2.2. FUNDAMENTAL RISKS

The following section addresses the residual risks that may arise, even if the system is used properly.

Observance of the safety information included below and in other sections of these instructions is mandatory in order to reduce the risk of injury and property damage and to avoid dangerous situations.

### DANGER!

- **Gases can be life threatening!**
- Gases can supersede the oxygen in air. This can result in death by asphyxiation. Oxygen produces a strongly oxidizing effect.

#### THEREFORE:

- Sufficient ventilation is absolutely essential.
- Installation only through certified company.
- Observe ATEX directive

**ATTENTION!**

- **Risk of injury from environment!**

There can be malfunctions on component due to condensation and/ or icing.

*THEREFORE:*

- Observe suitable temperatures.
- Protect component from liquids from outside
- Protect component from dust from outside
- Protect component from weather conditions
- Grounding has to be mounted properly

**WARNING!**

- **Risk of injury from using oil and grease!**

Oil and grease must never be used in gas regulating systems. Oil and grease are highly inflammatory and can react violently to certain pressurized gases.

*THEREFORE:*

- Never use oil and grease

**WARNING!**

- **Risk of injury from residual energy stored in the system!**

If handled incorrectly, pressurized components can move uncontrollably and cause severe injury. If handled incorrectly or defective, pressurized components can leak gas under high pressure and cause severe or even fatal injuries.

*BEFORE STARTING WORK WITH THESE COMPONENTS:*

- Installation only through certified company.
- Always wear protective goggles when working.
- Always wear ear protection.
- Make sure the equipment is depressurized. Also make sure the residual energy is discharged.
- Always ensure that gas cannot leak unintentionally.
- Make sure that defective components that are pressurized during operation are immediately replaced by trained staff.

**WARNING!**

- **Danger of accident!**

Due to wrong installation there can be serious or even mortal injuries.

*THEREFORE:*

- During installation the component should be kept safe
- Never throw the component

Pressurised components are only for intended use.

If there are mechanical damages at tubing or components the whole system has to be put in a safe condition. Affected area has to be blocked. Troubles which could influence safety, have to be eliminated through qualified staff or supplier.

Especially with gases failure in pressure regulator could happen. Indications for defective regulator is no flow or immediately rising outlet pressure. In this case system has to be shut-off and the relevant department for maintenance has to be informed. Never close exhaust piping.

## 2.3. OPERATOR'S RESPONSIBILITY

*OPERATOR*

The operator is the person who operates the system for commercial or business purposes or who provides the system for use/application by a third party, and who bears legal product responsibility for protecting the user, staff or third parties during operation.

*OPERATOR'S DUTIES*

The system is used for commercial purposes. The operator of the system is therefore subject to legal work safety obligations.

Compliance with the safety, accident prevention and environmental protection regulations that apply for the use of the system is mandatory, in addition to the safety information in these instructions.

*THE FOLLOWING APPLIES IN PARTICULAR:*

- The operator must be aware of the applicable work safety regulations and must perform a risk assessment to identify risks that may occur as a result of the specific working conditions at the site where the system is operated. The operator must use this assessment as the basis for compiling instructions for operating the system.
- During the entire period in which the system is operated, the operator must ensure that these operating instructions comply with the latest regulations, and must update the instructions if necessary.
- The operator must assign clear and specific responsibility for installation, operation, troubleshooting, maintenance and cleaning.
- The operator must ensure that all members of staff who work with the system have read and understood these instructions. The operator must also ensure that these members of staff are trained at regular intervals and are aware of the risks.
- The operator must provide the staff with the requisite protective equipment and bindingly obligate the staff to wear the necessary protective equipment.

In addition, the operator is responsible for ensuring full technical reliability of the system at all times.

*AS SUCH, THE FOLLOWING APPLIES:*

- The operator must ensure compliance with the maintenance intervals specified in these instructions.
- The operator must ensure that all safety equipment is regularly inspected for functional reliability and completeness.

## 2.4. PERSONNEL REQUIREMENTS

### 2.4.1. QUALIFICATIONS

The various tasks described in these instructions constitute differing requirements in respect of the qualifications of the staff charged with performing these tasks.



#### **WARNING!**

- ***Danger if staff is insufficiently qualified!***
- Insufficiently qualified staff is not able to assess the risks associated with the system and expose both themselves and others to the risk of severe or fatal injury.
- Ensure that all works are only performed by staff qualified for the specific task.
- Keep insufficiently qualified people out of the work area.

The works must always be assigned only to individuals who can be trusted to perform the works reliably. People with impaired reactions, e.g. as a result of drugs, alcohol or medication, must not be allowed to perform works.

These instructions define the qualifications below that are necessary for the respective tasks:

*GAS ENGINEER:*

Have a professional training, skills and experience and the knowledge of the pertinent standards and regulations to perform works on gas systems and to identify potential hazards. Gas engineers are trained specifically for the site where they work and are familiar with all relevant standards and regulations.

*TECHNICIAN*

Have the professional training, skills and experience and the knowledge of the pertinent standards and regulations to perform the assigned works and to identify and avoid potential hazards.

### 2.4.2. UNAUTHORIZED PERSONNEL



#### **WARNING!**

- ***Risks associated with unauthorized personnel in the hazard and work areas can be life threatening!***
- Unauthorized individuals without the qualifications described in this section are not familiar with the risks in the work area. As such, they are in danger of severe or even fatal injury.
- Keep unauthorized personnel away from the hazard and work area.
- If in doubt, approach individuals and instruct them to leave the hazard and work area.
- Stop any work while unauthorized individuals are in the hazard and work area.

### 2.4.3. TRAINING

The owner must train the staff at regular intervals. A training log must be maintained for purposes of better tracking and must contain the following information, at least:

- Date of training
- Names of trained staff
- Contents of the training session
- Name of trainer
- Signatures of the staff members in training and of the trainer

## 2.5. PERSONAL PROTECTIVE EQUIPMENT

Personal protective equipment protects staff from safety and health hazards while working.

Various tasks on and associated with, the system necessitate the use of personal protective equipment, which is described in more detail in the individual sections of these instructions.



### BREATHING APPARATUS

To protect against harmful gases, vapors, dust and similar materials and media. Breathing apparatus (e.g. compressed air respirator) must be used when an oxygen content of at least 17% in the ambient air is not guaranteed or when the limit of a hazardous substance in the ambient air is exceeded more than 100-fold. Breathing apparatus may only be worn by people who have been specially trained in the use.



### BREATHING APPARATUS, DEPENDENT ON AIR CIRCULATION

To protect against harmful gases, vapors, dust and similar materials and media. Breathing apparatus must be worn if a permissible limit is exceeded 100-fold. The breathing apparatus may only be used when the oxygen content in the ambient air measures at least 17%.



### PROTECTIVE GOGGLES

To protect the eyes against airborne parts and splashes of liquid.



### CHEMICAL-RESISTANT GLOVES

To protect the hands from aggressive substances. Make sure the protective gloves are leak-proof before wear. Dispose the gloves professionally after use.



### PROTECTIVE GLOVES

To protect the hands against abrasion, scrapes, pricks or deeper injuries and contact with hot or cold surfaces.



### EAR PROTECTION

To protect the ears from noise and prevent acoustic trauma.



## 2.6. BEHAVIOR IN CASE OF FIRE OR ACCIDENT

### PREVENTIVE MEASURE

- Always be prepared for fires and accidents!
- Always keep first aid equipment (kit, blankets, etc.) and fire extinguishing equipment in working order and close to hand.
- Familiarize the staff with accident reporting, first aid and emergency procedures.
- Keep the access routes free for emergency service vehicles.

### MEASURES IN THE EVENT OF FIRE OR ACCIDENT

- If there is no risk to your own safety, remove people from the danger zone.
- Administer first aid if necessary.
- Notify the fire brigade and/or emergency service.
- In the event of fire: If there is no risk to your own safety, use fire extinguishing equipment to fight the fire until the fire brigade arrives.
- Inform the person responsible at the location.
- Make sure the access routes are free for emergency service vehicles.
- Direct the emergency service vehicles.

## 2.7. ENVIRONMENTAL PROTECTION



### NOTE!

- ***Risk of environmental pollution from incorrect handling of environmentally hazardous substances!***
- The environment can suffer substantial damage if environmentally hazardous substances are handled, and especially disposed of, incorrectly.
- Always observe the information below on handling environmentally hazardous substances and their disposal.
- Take immediate measures if environmentally hazardous substances are accidentally released into the environment. If in doubt, notify the responsible local authorities about the damage and enquire about the suitable measures to be taken.

## 2.8. SIGNAGE



### WARNING!

- ***Danger from illegible signs!***
- Labels and signs can gather dirt or become otherwise illegible over time, thus preventing the recognition of risks and compliance with the requisite operating information. This could result in injury.
- Make sure all safety, warning and operation information is legible at all times.
- Immediately replace any damaged signs or labels.

### 2.8.1. SIGNS THAT GIVE ORDERS

- No signs

### 2.8.2. SIGNS INDICATING BANS

- No signs

### 2.8.3. WARNING SIGNS



GAS BOTTLES HAZARD



EXPLOSION - HAZARDOUS  
AREA

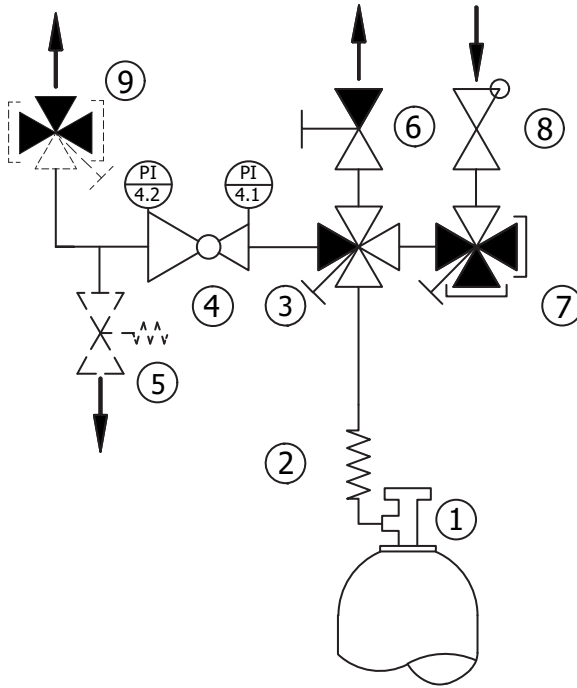


WARNING OF TOXIC AND/OR  
CORROSIVE SUBSTANCES

### 3. TECHNICAL SPECIFICATIONS

EN

#### 3.1. FLOW SCHEME – S300/S200/S60

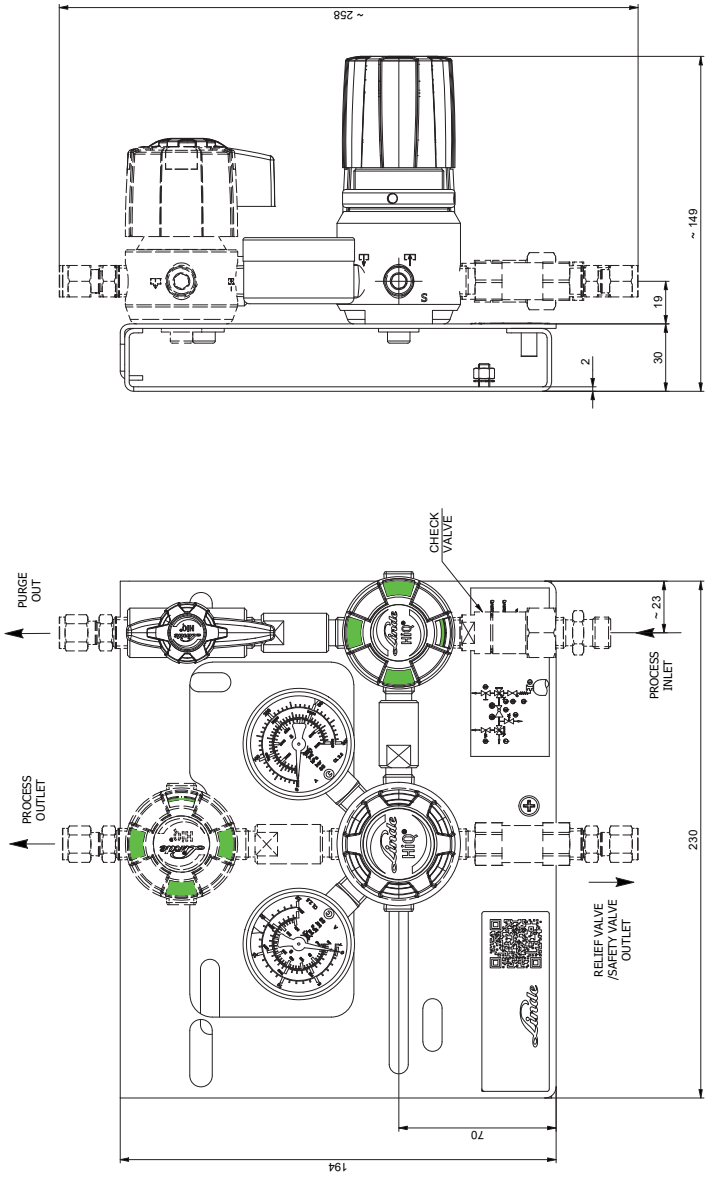


- 1 – GAS CYLINDER
- 2 – COIL
- 3 – SHUT-OFF VALVE (3XIN, 1XOUT)
- 4 – PRESSURE REGULATOR WITH IN/OUT GAUGE
- 5 – RELIEF VALVE / SAFETY VALVE, (OPT.)
- 6 – PURGE OUTLET VALVE
- 7 – PURGE INLET VALVE (1XIN, 3XOUT)
- 8 – CHECK VALVE
- 9 – SHUT-OFF VALVE (1XIN, 3XOUT); (OPT.)

Options are shown as dotted line

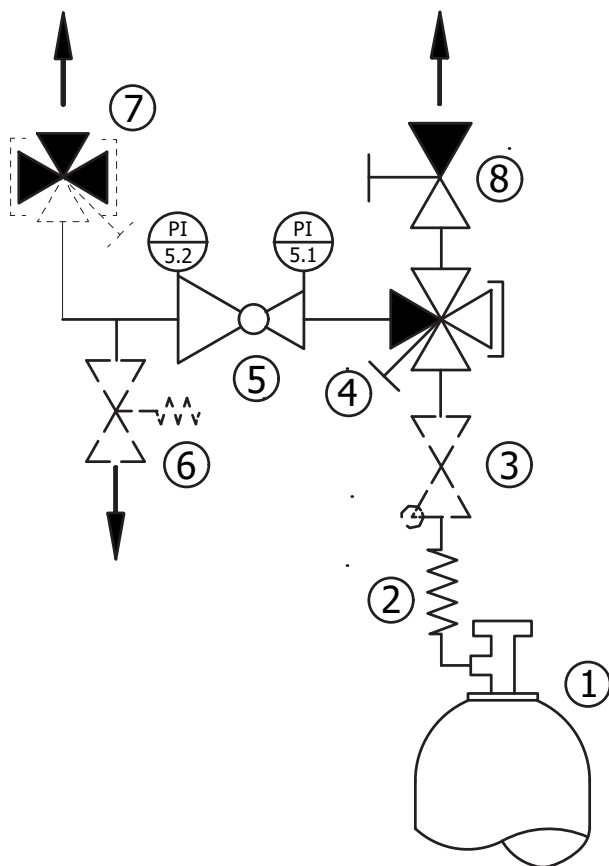
### 3.2. DIMENSION SHEET – S300/S200/S60

EN



### 3.3. FLOW SCHEME – S203

EN

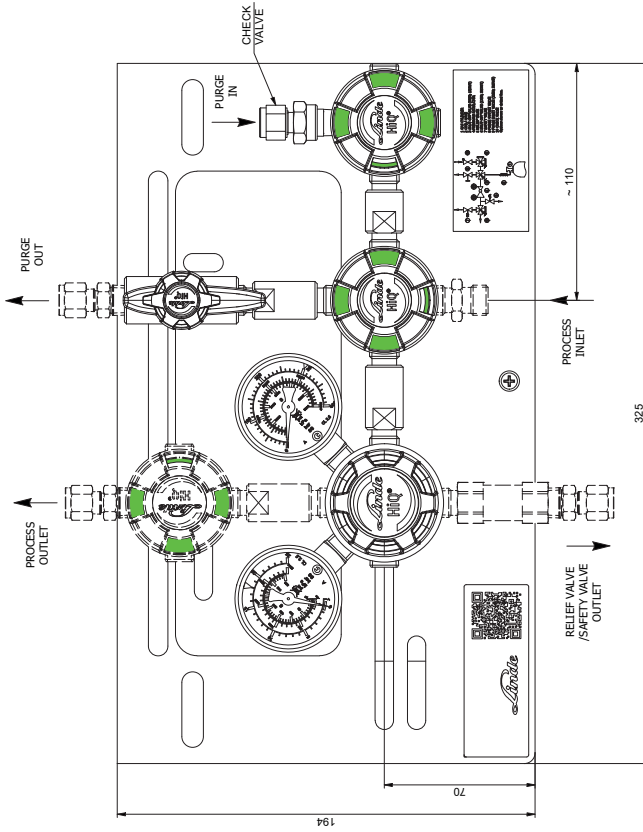
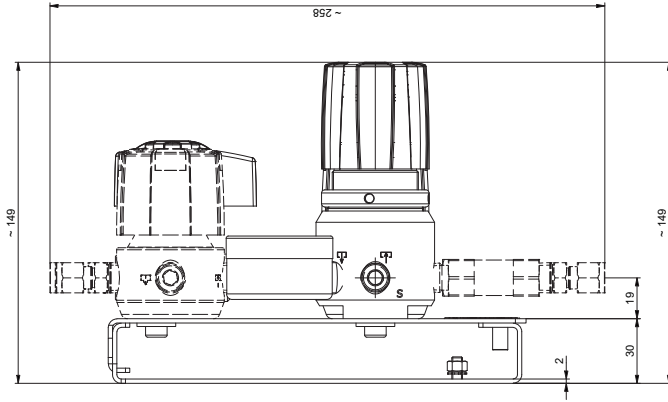


- 1 – GAS CYLINDER
- 2 – COIL
- 3 – CHECK VALVE (OPT.)
- 4 – SHUT-OFF VALVE (3XIN, 1XOUT)
- 5 – PRESSURE REGULATOR WITH IN/OUT GAUGE
- 6 – RELIEF VALVE / SAFETY VALVE, (OPT.)
- 7 – SHUT-OFF VALVE (1XIN, 3XOUT), (OPT.)
- 8 – PURGE OUTLET VALVE

Options are shown as dotted line

### 3.4. DIMENSION SHEET – S203

EN



### 3.5. GENERAL INFORMATION

Information	S300/S200/S60-BC	S300/S200/S60-SS
max. Weight [kg]	5,25	8,57
Length [mm]	230	230
Depth [mm]	150	150
Height [mm]	194	194

Information	S203-SS
max. Weight [kg]	6,97
Length [mm]	325
Depth [mm]	150
Height [mm]	194

### 3.6. CONNECTION VALUES

Information	Value	Unit
Inlet	NPT 1/4" Female Several Adapters available	metric NPT
Outlet	1/8", 1/4", 3/8", 1/2" 3, 6, 8, 10, 12	Fitting inch, NPT
Outlet relief valve/ purge valve (if existent)	1/4", 3/8", 1/2" 6, 8, 10, 12	Fitting inch Fitting mm
Safety valve	NPT 1/2" female	inch

### 3.7. PERFORMANCE VALUE

Information	Value	Unit
Nominal flow	20 (Air)	m <sup>3</sup> /h
Inlet pressure (max.)	S300: 300 S203: 200 S200: 200 S60: 60	bar
Outlet pressure (max.)	200	bar

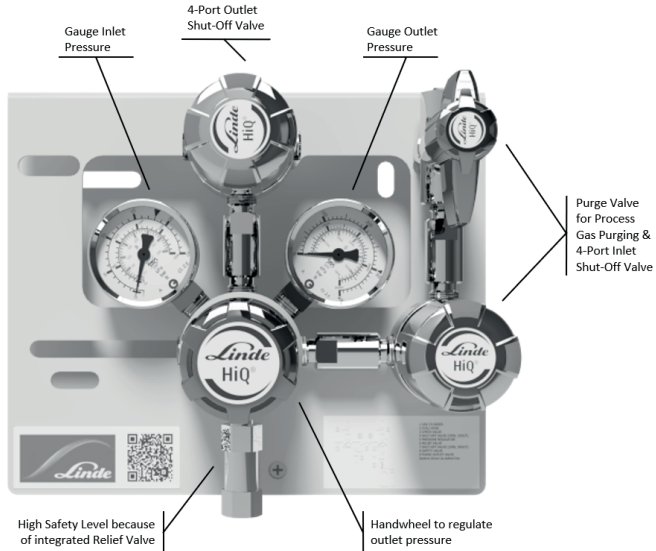
### 3.8. OPERATING CONDITIONS

Information	Value	Unit
Temperature range	-20 till +60	°C
Relative humidity (max.)	98	%

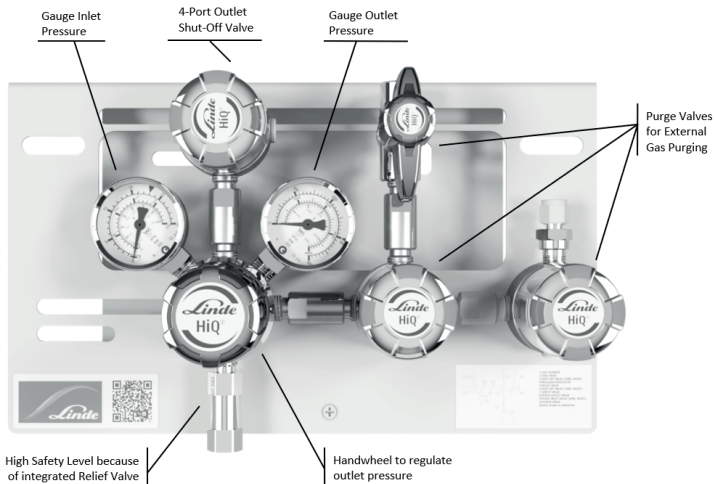
## 4. SET-UP AND FUNCTION

### 4.1. OVERVIEW – S300/S200/S60

EN



### 4.2. OVERVIEW – S203



### 4.3. BRIEF DESCRIPTION

With the manifold type **S300/S200/S60-BC...** (**material: brass chrome plated**) an industrial, non-toxic and non-corrosive gas or gas mixture, which is stored inside gas cylinder or bundle with over pressure can be reduced from maximum 300 bar tubing pressure (3 bar, 6 bar, 10 bar, 14 bar, 28 bar, 50 bar, 100 bar, 200 bar).

With the manifold type **S300/S200/S60-SS/ S203-SS...(material: stainless steel)** additional toxic and corrosive gases which is stores inside gas cylinder or bundle with over pressure can be reduced from maximum 300 bar tubing pressure (3 bar, 6 bar, 10 bar, 14 bar, 28 bar, 50 bar, 100 bar, 200 bar).

A relief valve at pressure regulator secures the manifold with its outlet pressure against incorrect pressure rising at the outlet due to leakage in regulator seat. Additional components could be safety valve and/ or check valve.

The real inlet and outlet pressure of the manifold is displayed at the pressure gauges. There is the possibility to use contact gauges for inlet and outlet pressure.

If the manifold has the opportunity for process gas purging, this can be done before initial start-up to remove contaminates. Furthermore it is possible to depressurize the high pressure side before cylinder is changed.

If the manifold has the opportunity for inert gas purging (S203), the high pressure area of the manifold can be purged to remove contaminates before initial start-up or before cylinder or bundle change. The manifold version with inert gas purging is only available in stainless steel.

The described system is mounted on a stainless steel plate. Due to plate dimensions all components are protected against damage inside of package, during transport and in mounted condition. The two plates design enables to mount the component easy and with less weight.

The cut-outs in the front plate enable to change the gauge without disassembly of the complete manifold. At the back plate at both sides are holes to connect the cylinder hoses with carabiner hook. To connect grounding you can find screw at the ground plate.

The development, construction and production testing is according to the following standards:

- Regulators- ISO 7291
- Valves- ISO 10297
- Gauges EN 837-1
- Mechanical explosion prevention of complete manifold- ISO80079-36; IEC 60079-32-1; TRGS 727

## 5. TRANSPORT, PACKAGING AND STORAGE



### TIPS AND RECOMMENDATIONS!

- The installation and start- up of this gas supply panel is normally done by the supplier or by authorized personnel.
- Even though there can be some users or maintenance personnel who care about the packaging. The following notes should be observed accordingly.

### 5.1. SAFETY INFORMATION FOR TRANSPORTATION



#### NOTE!

- **Damages caused by inappropriate transportation!**
- If transported inappropriately, consignments can fall or topple over. This can cause considerable property damage.
- When unloading the consignments on delivery and transporting them on the premises, act with caution and observe the symbols and warnings on the packaging.
- Use only the attachment points provided.
- Do not remove the packaging until you are ready to assemble the regulator.

### 5.2. TRANSPORT INSPECTION

Upon delivery, check immediately that the consignment is complete and has not been damaged during transit. Procedure on detection of visible transport damage:

- Refuse acceptance of the delivery or only accept subject to reservation
- Record the extent of the damage on the transportation documentation or on the forwarder's delivery note
- File a complaint



### TIPS AND RECOMMENDATIONS!

- Report each and every defect as soon as you discover it. Claims for damages can only be asserted within the specified periods.



## 5.3. PACKAGING

The individual consignments are packed according to the anticipated transport conditions. Without exception all packaging is made of environmentally friendly material.

The packaging is intended to protect the individual components against transport damage, corrosion and other damage until they are ready for installation. Do not, therefore, destroy the packaging; only remove it when assembly is imminent.



### NOTE!

- **Risk of environmental harm through incorrect disposal!**
- Packaging materials are valuable raw materials. In many cases they can be re-used or recycled. Incorrect disposal of packaging materials can harm the environment.
- Dispose of packaging materials in an environmentally compatible manner.
- Observe locally applicable disposal regulations. If necessary, commission a specialist disposal firm.

## 5.4. STORAGE

Store the packages in the following conditions:

- Do not store outdoors
- Store in a dry and dust-free location
- Do not expose to aggressive media
- Protect from sunlight radiation
- Avoid mechanical jolts
- Storage temperature: 15 to 35 °C
- Relative humidity: max. 60 %
- If storing for longer than 3 months, regularly inspect the general condition of all parts and the packaging. If necessary re-apply or renew the rust-proofing



### TIPS AND RECOMMENDATIONS!

- Some packages may bear labels with storage information that extends beyond these requirements. These notes should be observed accordingly.

# 6. INSTALLATION AND INITIAL START-UP

## 6.1. SAFETY NOTES FOR INSTALLATION AND INITIAL START-UP

### STAFF

Installation and initial start-up of the system may only be performed by qualified staff.

## 6.2. PREPARATION

### UNPACKING

- The system components should be removed from their packaging carefully and prudently.
- Additional protective packaging should also be removed.
- Check all components of damages from transport

### DEPRESSURIZE

- Depressurize components and purge with inert gas if necessary
- Cut tubing with special tool; avoid contaminations (dirt, cuttings, etc.)
- Check perfect condition of components and purity of connections

## 6.3. INSTALLATION

Installation and initial commissioning may only be carried out by qualified personnel.

The back plate of the manifold is mounted at the height of 164 cm. The front plate is suspended in the back plate and secured with the delivered screw below in the middle. Connect grounding on ground plate.

The manifold is mounted with compression fittings at process outlet, relief valve, purge inlets and purge outlets, if existent connect safety and/or check valve.

First remove the plastic caps from all connections.

The piping has to be inserted completely into the compression fitting.

Then screw the nut hand tight. After that screw with a jaw spanner 1 ¼ turns tight (first installation 1 1/4 turns for tubes bigger than 1/8 inch and 3/4 turns for 1/8 inch and smaller tubes, retightening 1/4 for all tubes).

Connect the relief tubing the same way. It is not allowed to connect relief and purge tubing. They have to go separately and safe to the outside, also the safety valve tubing.

To connect the gas cylinder to the manifold coils and flexible hoses are suitable (available accessories)

The stainless steel coils or flexible hose is always delivered separately. The correct allocation has to be proved. At the connection nut you can see the type of cylinder connection. There is only one design of coil/ hoses to connect it at the right and left side of manifold.

To mount the coil/ hose please remove plastic caps from the thread. Make sure that the gasket, which is scope of delivery, is inserted. Connect the nut with the inlet of the manifold hand tight and afterwards screw with a jaw spanner.

To connect the coil/hose with the gas cylinder, the thread of the cylinder valve and of the nut need to be in perfect condition. Any time you connect new gas cylinder, use new cylinder connection.

Only coils and hoses from manufacturer suitable for used gases have to be used. Check gasket or correct position in connection thread of coil/hose. Using a spanner extension is not allowed, it can cause damage of thread and gasket and leads to leakage.

## 6.4. REQUIRED QUALIFICATIONS FOR INITIAL START-UP AND CYLINDER CHANGING

- The test protocols from the piping according to tightness and if necessary moisture and particles are available
- Process gas tubes, vent piping and purge gas tubing, safety valve and check valve tubing if existent is connected
- In process gas tubing is only standard gas ( see 1.2)
- The start-up is only realized by qualified personal
- Wear safety clothes according to regulations
- Use spark-free tools and provide before installation
- Before first start-up check type label, if the manifold is suitable for the provided purpose (gas, pressure, material, etc.)

## 6.5. INITIAL START UP

- All requirements are fulfilled as on point 6.4
- Manifold is depressurized, handwheel turned completely to left side
- All valves on manifold are closed



### WARNING!

- Make sure the manifold components are not exposed to pressure levels that exceed their respective permissible nominal pressure.
- Make sure that nobody could be hurt because of the initial start-up of manifolds.

### 6.5.1. PROCESS GAS PURGING (S300/S200/S60)

Manifolds with process gas purging were used to get air from the atmosphere out of the components, before you change cylinder or you want to depressurize coil or hose before cylinder change.

1. Valve for process gas purging is closed, toggle is transverse to the direction of flow (2-port valve)
2. Pressure regulator is depressurized (closed)
3. Close inlet shut-off valve, red marking is visible (4-port valve)
4. Now the inlet shut-off valve is just closed in direction pressure regulator. The way through purge valve is open.
5. Slowly open cylinder valve
6. Process gas is streaming into coil/ hose
7. Close cylinder valve
8. Shortly open purge outlet valve and let the gas from the coil/hose go
9. Immediately close purge outlet valve after that

*REPEAT STEPS 4.-9. FOR MINIMUM 10 TIMES*

### 6.5.2. EXTERNAL INERT GAS PURGING (S203)

Manifolds of type S203 with external gas purging were used to purge toxic or corrosive gas before cylinder change and to depressurize coil or hose. Make sure that relief valve tubing is connected.

1. Check if purge gas inlet, purge gas outlet, process gas inlet, relief valve and if existent safety valve are connected properly
2. Close all valves, red marking is visible (4-Port)
3. Close pressure regulator by turning the handwheel anti clockwise
4. Open purge inlet valve
5. Close purge inlet valve. Gas has to stay for any seconds inside the component.
6. Open purge outlet valve for a very short time to release external purge gas through purge gas outlet tubing
7. Close purge outlet valve

*REPEAT STEPS 4.-7. FOR MINIMUM 10 TIMES*

### 6.5.3. FILL THE PROCESS GAS TUBING WITH PROCESS GAS

Before initial start-up and filling the gas tubing with process gas depending on manifold version process gas purging (see point 6.5.1) or inert gas purging (see point 6.5.2) is necessary. Because of safety reasons we recommend to connect relief gas tubing.

1. Check if purge gas inlets, purge gas outlets, process gas inlets, relief valve and if existent safety valve and/ or check valves are connected properly
2. All valves are closed, red mark is visible (4-Port)
3. Turn handwheel of the pressure regulator all the way to stop – regulator is closed
4. Slowly open cylinder valve
5. Slowly open inlet shut-off valves.
6. Set outlet pressure with regulator handwheel by turning clockwise
7. Manifold is now in operation

*WE RECOMMEND CHECKING THE MANIFOLD AND PRESSURE GAUGES ON DAILY BASIS.*

### 6.5.4. CHANGE EMPTY GAS CYLINDER



#### NOTE!

- MAK- Value (see Technical Rules for Hazardous Substances, TRGS 900)
1. Close cylinder valve
  2. Close inlet valve
  3. Open purge outlet valve to depressurize coil/ hose.
  4. S300/S200/S60: purge with process gas purging (see point 6.5.1)  
S203: purge with external external inert gas purging (see point 6.5.2)
  5. Close inlet shut-off valve at empty cylinder
  6. Disassemble coil/ hose from gas cylinder
  7. Connect new gas cylinder, use **ALWAYS** new gasket

*BEFORE START-UP AGAIN:*

8. S300/S200/S60: purge with process gas purging (see point 6.5.1)  
S203: purge with inert gas purging (see point 6.5.2)
9. Fill coil/hose with process gas.

### 6.5.5. TAKING MANIFOLD OUT OF OPERATION

By turning the handwheel anti clockwise close the regulator on manifold.

The closing of regulator guarantees no complete tightness against gas leakage through coils or connected consumers.

Always close cylinder valve because of safety reasons.

*IF THE MANIFOLD WILL BE COMPLETELY DISASSEMBLED, NOTE THE FOLLOWING:*

**WARNING!**

- Depressurize pressure regulator and tubing through consumer.
- Inlet and outlet pressure gauge show "0" bar .
- If necessary, perform natural gas or external gas purging.
- Appropriate safeguards for personnel are necessary.
- Note MAK-Values.
- Unconditionally note that it is not allowed to use the manifold with more than proper pressure.
- Make sure that nobody is endangered because of start-up of the manifold.

**6.6. TESTS**

- After pressurizing the complete function of manifold should be tested
- Check relief valve
- Check all valves

**7. OPERATION**

In reference to chapter 2.1 the operation of the manifold is defined.

**BEWARE!**

- Valves must always be opened slowly and carefully to prevent pressure surges in the system and damage to the other components!

**8. MAINTENANCE****8.1. SAFETY NOTES FOR MAINTENANCE****NOTE!**

- Maintenance may only be performed by sufficiently qualified, trained and authorized individuals (see section 2.4)

**8.2. MAINTENANCE PLAN**

The following sections describe the maintenance works that must be performed to ensure the optimum and trouble-free operation of the regulator.

If regular inspections reveal increased wear, the requisite maintenance intervals must be shortened to reflect the actual wear and tear.

**NOTE!**

- Please contact the manufacturer if you have any questions relating to maintenance works and intervals.

Interval	Maintenance work	Personal
Weekly	Check all components visually	Competent Person (TRBS 1203)
Every year	Checking function & tightness, check for all safety relevant components	Competent Person (TRBS 1203)
Every 10 years	General overhaul and replacement of all wearing parts	Competent Person (TRBS 1203)

## 8.3. MAINTENANCE WORK

### 8.3.1. CLEANING



#### NOTE!

- All cleaning agents must be compatible with the materials of the installed component.

### 8.3.2. REQUIREMENTS FOR MAINTENANCE

*CHECK BEFORE MAINTENANCE START, IF:*

- Gas supply is disconnected and safe
- Manifold is depressurized
- Pressure regulator is depressurized
- Valves are closed
- No process gas inside component.
- System is purged and filled with inert gas.

### 8.3.3. NECESSARY MAINTENANCE

- Check accuracy of pressure gauges
- Manifold, pressure regulator, valve and gauges: check condition, function and labeling
- Check labelling
- Check for corrosion
- Check function
- Pressure test with 1-times working pressure for 12 hours
- Worn and defective components must be changed immediately from authorized qualified company
- Valve is designed according to ISO 10297, including type test with cycle test from up to 2000 cycles. Change inner parts after 2000 cycles, change must be done from authorized qualified company
- If there are any leakages or too much corrosion at the manifold/ pressure regulator or valve, component must be replaced with all connections by an authorized company
- After the changing of components or tubes, pressure and leakage test must be done again and be protocolled

## 8.4. MEASURES FOLLOWING MAINTENANCE

*THE FOLLOWING STEPS MUST BE PERFORMED WHEN THE MAINTENANCE WORKS HAVE BEEN COMPLETED AND BEFORE SWITCHING ON THE SYSTEM:*

1. Make sure that all tools, materials and other equipment have been removed from work area.
2. Clean the work area and remove any spilled substances, e.g. liquids, processing material or similar.
3. Make sure that safety relevant components are working perfect.

## 9. TROUBLESHOOTING

The following section describes possible causes of malfunction and how to eliminate them. If malfunctions occur with increasing regularity, shorten the maintenance intervals to reflect the actual load. If malfunctions occur that cannot be eliminated with the following help, please contact the manufacturer.

### 9.1. SAFETY NOTES FOR TROUBLESHOOTING

In any case of malfunction, the shut-off valves of the connected gas cylinder, gas container or bundle must be closed. Never operate devices with malfunctions under pressure.

*WHAT TO DO IN CASE OF MALFUNCTION:*

1. Interrupt and ensure gas supply.
2. Depressurize pressure regulators and close valves.
3. Only trained technical staff may eliminate malfunctions.
4. Restore component to its original state.

Description	Reason	Solution	Valve	Cylinder Regulator	Line Regulator	Gas Supply Panel
No Flow (Inlet Gauge shows pressure, outlet gauge not)	Pressure Regulator is closed	Open pressure regulator slowly Close purge valve		<input checked="" type="checkbox"/>	<input checked="" type="checkbox"/>	<input checked="" type="checkbox"/>
No Flow (Inlet and Outlet Gauge show „0“)	Cylinder Valve closed Processgas Valve closed Pressure Regulator closed Cylinder coil/ hose not connected	Initial Start- Up see point 6 Installation and initial start-up		<input checked="" type="checkbox"/>	<input checked="" type="checkbox"/>	<input checked="" type="checkbox"/>
No Flow	Handwheel closed	Open hand-wheel slowly	<input checked="" type="checkbox"/>			
Increase of outlet pressure & relief valve opens	Leakage in pressure regulator seat	Repair by manufacturer		<input checked="" type="checkbox"/>	<input checked="" type="checkbox"/>	<input checked="" type="checkbox"/>
Slight increase of outlet pressure & relief valve does not open	Inlet pressure drop	No failure, normal operating state		<input checked="" type="checkbox"/>	<input checked="" type="checkbox"/>	<input checked="" type="checkbox"/>
Slight increase of outlet pressure	Difference between flow pressure (with gas flow) and Zero Pressure (without gas flow)	No failure, normal operating state		<input checked="" type="checkbox"/>	<input checked="" type="checkbox"/>	<input checked="" type="checkbox"/>
Slight drop of outlet pressure	Difference between flow pressure (with gas flow) and Zero Pressure (without gas flow)	No failure, normal operating state		<input checked="" type="checkbox"/>	<input checked="" type="checkbox"/>	<input checked="" type="checkbox"/>
Heavy drop of outlet pressure	Required flow to high for pressure regulator	Choose new pressure regulator for required pressure and flow		<input checked="" type="checkbox"/>	<input checked="" type="checkbox"/>	<input checked="" type="checkbox"/>
Heavy drop of outlet pressure	Leakage in process gas tubing	Check process gas tubing		<input checked="" type="checkbox"/>	<input checked="" type="checkbox"/>	<input checked="" type="checkbox"/>

Description	Reason	Solution	Valve	Cylinder Regulator	Line Regulator	Gas Supply Panel
Outlet Pressure to high	Wrong settings for pressure regulator	Adjust pressure regulator settings, readjust pressure regulator, maintenance		<input checked="" type="checkbox"/>	<input checked="" type="checkbox"/>	<input checked="" type="checkbox"/>
Outlet pressure increase immediately all the way to the stop or outlet pressure increases and gets slowly higher than set value and relief valve opens	Pollution or damage of pressure regulator seat "Creap"	Repair by manufacturer		<input checked="" type="checkbox"/>	<input checked="" type="checkbox"/>	<input checked="" type="checkbox"/>
Noise during operation	Required flow too high for pressure regulator	Choose new pressure regulator for required pressure and flow		<input checked="" type="checkbox"/>	<input checked="" type="checkbox"/>	<input checked="" type="checkbox"/>
No changes of valve control when turning the handwheel	Defect handwheel because of too high torque, defect of spindle, defect of thread	Repair by manufacturer	<input checked="" type="checkbox"/>	<input checked="" type="checkbox"/>	<input checked="" type="checkbox"/>	<input checked="" type="checkbox"/>
Moisture on pressure regulator (NO dew, rain or snow)	Pressure regulator withdraw energy from environment through gas expansion	No failure, normal operating state		<input checked="" type="checkbox"/>	<input checked="" type="checkbox"/>	<input checked="" type="checkbox"/>
Icing on pressure regulator (NO dew, rain or snow)	Pressure regulator withdraw energy from environment through gas expansion, limited delivery performance from pressure gas tanks, e.g. N <sub>2</sub> O, CO <sub>2</sub>	No failure, normal operating state ATTENTION: keep functionality of contact gauges in mind, raise quantity of pressure gas tanks		<input checked="" type="checkbox"/>	<input checked="" type="checkbox"/>	<input checked="" type="checkbox"/>

This table is not exhaustive. For questions and ambiguities please contact manufacturer.

## 10. DISMANTLING AND DISPOSAL

Once the system has reached its end-of-life, it must be dismantled and disposed of in an environmentally compatible way.

### 10.1. SAFETY NOTES FOR DISMANTLING AND DISPOSAL



#### WARNING!

- **Risk of injury through incorrect dismantling!**

*RESIDUAL ENERGY STORAGE, SHARP EDGED COMPONENTS, TIPS AND CORNERS ON AND IN THE SYSTEM OR ON THE REQUIRED TOOLS CAN CAUSE INJURY.*

- arrange enough space for working
- be careful with sharp edges
- pay attention for order and cleanness
- loose components can cause accidents
- dismantle the components properly. Bear in mind that some of the components are heavy. Use lifting equipment if necessary
- secure the components against falling or toppling over

### 10.2. DISMANTLING

#### *PRIOR STARTING DISMANTLING*

Close second pressure stage regulator by turning the handwheel anti clockwise.

Depressurize second pressure stage regulator and make sure that there is no process gas inside the gas supply panel anymore.

Close process gas valves and make sure that there is no process gas inside

Depressurize high pressure side by using purge gas shut-off valves.

Depressurize tubing system and purge with inert gas if necessary.

Depending on manifold make process gas (see 6.5.1) or inert gas purging (see 6.5.2)

Dismantle the assemblies and components properly and in compliance with applicable local work safety and environmental protection regulations.

At the end devices and components have to be cleaned and disassembled due to valid rules of industrial safety and environment protection.



#### WARNING!

- **Do not open system filled or used with toxic and/ or corrosive gases.**

### 10.3. DISPOSAL

In the absence of a return or disposal agreement, the dismantled components should be recycled as follows:

Metals: scrap.

Plastics: recycle.

Other components: sort and dispose.

In accordance with Article 33 of REACH GCE, s.r.o. as responsible manufacturer shall inform all customers if materials containing 0.1% or more of substances included in the list of Substance of Very High Concern (SVHC).

The most commonly used brass alloys used for bodies and other brass components contain 2-3% of lead (Pb), EC no. 231-468-6, CAS no. 7439-92-1. The lead will not be released to the gas or surrounding environment during normal use. After end of life the product shall be scrapped by an authorized metal recycler to ensure efficient material handling with minimal impact to environment and health.

To date we have no information that indicates that other materials containing SVHC of concentrations exceeding 0.1% are included in any GCE product.





**NOTE!**

- ***Risk of environmental harm through incorrect disposal!***
- Incorrect disposal can harm the environment.
- Commission a specialized licensed firm to dispose of electrical waste, electronic components, lubricants and other auxiliary materials.
- If in doubt, enquire how to ensure environmentally compatible disposal at your local council office or consult a specialist disposal firm.

EN

[www.linde.com](http://www.linde.com)

These products were manufactured on behalf of Linde GmbH.

# INHALT

DE

<b>1. ALLGEMEINES</b> .....	30
1.1. INFORMATION ZU DIESER ANLEITUNG .....	30
1.2. INFORMATION ZUR ENTSPANNUNGSSTATION .....	30
1.2.1. S300/S200/S60.....	31
1.2.2. S203 .....	31
1.3. SYMBOLERKLÄRUNG.....	31
1.4. HAFTUNGSBESCHRÄNKUNG.....	32
1.5. URHEBERSCHUTZ .....	32
1.6. ERSATZTEILE .....	32
1.7. GEWÄHRLEISTUNGSBESTIMMUNGEN .....	33
1.8. KUNDENSERVICE .....	33
<b>2. SICHERHEIT</b> .....	33
2.1. BESTIMMUNGSGEMÄSSE VERWENDUNG.....	33
2.1.1. BAULICHE VERÄNDERUNG AN DER ENTSPANNUNGSSTATION .....	33
2.2. GRUNDSÄTZLICHE GEFAHREN .....	33
2.3. VERANTWORTUNG DES BETREIBERS .....	35
2.4. PERSONALANFORDERUNGEN.....	35
2.4.1. QUALIFIKATIONEN .....	35
2.4.2. UNBEFUGTE .....	36
2.4.3. UNTERWEISUNG .....	36
2.5. PERSÖNLICHE SCHUTZAUSRÜSTUNG .....	36
2.6. VERHALTEN BEI FEUER AUSBRUCH UND BEI UNFÄLLEN.....	37
2.7. UMWELTSCHUTZ .....	37
2.8. BESCHILDERUNG.....	37
2.8.1. GEBOTZEICHEN .....	37
2.8.2. VERBOTZEICHEN .....	37
2.8.3. WARNZEICHEN.....	37
<b>3. TECHNISCHE DATEN</b> .....	38
3.1. FLIESSSCHEMA – S300/S200/S60.....	38
3.2. MASSBLATT – S300/S200/S60 .....	39
3.3. FLIESSSCHEMA – S203 .....	40
3.4. MASSBLATT – S203 .....	41
3.5. ALLGEMEINE ANGABEN .....	42
3.6. ANSCHLUSSWERTE .....	42
3.7. LEISTUNGSWERTE .....	42
3.8. BETRIEBSBEDINGUNGEN UMGEBUNG .....	42
<b>4. AUFBAU UND FUNKTION</b> .....	43
4.1. AUFBAU – S300/S200/S60 .....	43
4.2. AUFBAU – S203 .....	43
4.3. KURZBESCHREIBUNG.....	43
<b>5. TRANSPORT, VERPACKUNG UND LAGERUNG</b> .....	44
5.1. SICHERHEITSHINWEISE FÜR DEN TRANSPORT.....	44
5.2. TRANSPORT INSPEKTION .....	44
5.3. VERPACKUNG.....	45
5.4. LAGERUNG .....	45

<b>6. INSTALLATION UND ERSTINBETRIEBNAHME</b> .....	45
6.1. SICHERHEITSHINWEISE FÜR DIE INSTALLATION UND ERSTINBETRIEBNAHME .....	45
6.2. VORBEREITUNGEN .....	45
6.3. INSTALLATION .....	45
6.4. VORAUSSETZUNG ZUR ERSTINBETRIEBNAHME .....	46
6.5. ERSTINBETRIEBNAHME .....	46
6.5.1. PROZESSGASSPÜLUNG (S300/S200/S60) .....	47
6.5.2. FREMDGASSPÜLUNG (S203) .....	47
6.5.3. FÜLLEN DER PROZESSGASLEITUNG MIT PROZESSGAS .....	47
6.5.4. FLASCHENWECHSEL .....	47
6.5.5. AUSSERBETRIEBNAHME DER ANLAGE .....	48
6.6. PRÜFUNGEN .....	48
<b>7. BETRIEB</b> .....	48
<b>8. WARTUNG</b> .....	48
8.1. SICHERHEITSHINWEISE FÜR DIE WARTUNG .....	48
8.2. WARTUNGSPLAN .....	48
8.3. WARTUNGSARBEITEN .....	49
8.3.1. REINIGUNG .....	49
8.3.2. VORAUSSETZUNG ZUR WARTUNG .....	49
8.3.3. NOTWENDIGE WARTUNGSLEISTUNG .....	49
8.4. MASSNAHMEN NACH ERFOLGTER WARTUNG .....	49
<b>9. STÖRUNGEN</b> .....	50
9.1. SICHERHEITSHINWEISE FÜR DIE STÖRUNGSBEHEBUNG .....	50
<b>10. DEMONTAGE UND ENTSORGUNG</b> .....	52
10.1. SICHERHEITSHINWEISE FÜR DIE DEMONTAGE UND ENTSORGUNG .....	52
10.2. DEMONTAGE .....	53
10.3. ENTSORGUNG .....	53

### 1. ALLGEMEINES

DE

#### 1.1. INFORMATION ZU DIESER ANLEITUNG

Diese Anleitung gilt für Entspannungsstationen des Typs:

- S300
- S203
- S200
- S60

Diese Entspannungsstationen werden verwendet um Gas aus Druckgasbehältern zu entnehmen und zu entspannen. Die Entspannungsstationen werden dauerhaft an der Wand befestigt und mit Wendelleitungen oder Wellschläuchen an den Gasdruckbehältern angeschlossen. Diese Anleitung ermöglicht den sicheren und effizienten Umgang mit dem Gerät. Die Anleitung ist Bestandteil des Geräts und muss in unmittelbarer Nähe des Geräts für das Personal jederzeit zugänglich aufbewahrt werden. Das Personal muss diese Anleitung vor Beginn aller Arbeiten sorgfältig durchgelesen und verstanden haben. Grundvoraussetzung für sicheres Arbeiten ist die Einhaltung aller angegebenen Sicherheitshinweise und Handlungsanweisungen in dieser Anleitung. Darüber hinaus gelten die örtlichen Unfallverhütungsvorschriften und allgemeinen Sicherheitsbestimmungen für den Einsatzbereich des Geräts. Abbildungen in dieser Anleitung dienen dem grundsätzlichen Verständnis und können von der tatsächlichen Ausführung abweichen.

#### 1.2. INFORMATION ZUR ENTSPANNUNGSSTATION

Entspannungsstationen dieses Typs dürfen nur mit denen als Standard Gas definierten Gasen verwendet werden. Der maximale Arbeitsdruck für diese Entspannungsstationen beträgt 300 bar. Einstufige Entspannungsstationen bestehen aus Ventilen und Druckregler mit Metallmembran. Hergestellt und zugelassen nach ISO7291/10297 inklusive Sauerstoff-Ausbrenntest.

Produkt Linie	(Reinheit 6.0   Messing verchromt)	(Reinheit 6.0   Edelstahl)
Hochdruck Regler mit <b>FKM</b> Dichtung im Abblaseventilsitz	<ul style="list-style-type: none"> <li>• Verwendbare Gase (inclusive deren Mischungen)                             <ul style="list-style-type: none"> <li>• Reinstgas</li> <li>• Inert</li> <li>• Brennbar</li> <li>• Brandfördernd</li> <li>• O<sub>2</sub></li> </ul> </li> <li>• NICHT verwendbare Gase (inclusive deren Mischungen)                             <ul style="list-style-type: none"> <li>• Ätzend</li> <li>• Giftig</li> <li>• CO<sub>2</sub>, N<sub>2</sub>O</li> </ul> </li> </ul>	<ul style="list-style-type: none"> <li>• Verwendbare Gase (inclusive deren Mischungen)                             <ul style="list-style-type: none"> <li>• Reinstgas</li> <li>• Inert</li> <li>• Brennbar</li> <li>• O<sub>2</sub> bis 200 bar</li> <li>• Ätzend</li> <li>• Giftig</li> </ul> </li> <li>• Bei Unklarheiten bitte Rücksprache halten</li> <li>• NICHT verwendbare Gase (inclusive deren Mischungen)                             <ul style="list-style-type: none"> <li>• O<sub>2</sub> (über 200 bar)</li> <li>• CO<sub>2</sub>, N<sub>2</sub>O</li> <li>• NH<sub>3</sub>, SO<sub>2</sub>, H<sub>2</sub>S</li> </ul> </li> </ul>

<p>Hochdruck Regler mit <b>EPDM</b> Dichtung im Abblaseventilsitz</p>	<ul style="list-style-type: none"> <li>• Verwendbare Gase (inclusive deren Mischungen)             <ul style="list-style-type: none"> <li>• High Purity</li> <li>• Inert</li> <li>• Brennbar</li> <li>• Brandfördernd</li> <li>• CO<sub>2</sub>, N<sub>2</sub>O</li> </ul> </li> <li>• NICHT verwendbare Gase (inclusive deren Mischungen)             <ul style="list-style-type: none"> <li>• Ätzend</li> <li>• Giftig</li> <li>• O<sub>2</sub> (Anteil größer als 21%)</li> <li>• Kohlenwasserstoffe</li> </ul> </li> </ul>	<ul style="list-style-type: none"> <li>• Verwendbare Gase (inclusive deren Mischungen)             <ul style="list-style-type: none"> <li>• High Purity</li> <li>• Inert</li> <li>• Brennbar</li> <li>• Brandfördernd</li> <li>• Ätzend</li> <li>• Giftig</li> </ul> </li> <li>• Bei Unklarheiten bitte Rücksprache halten             <ul style="list-style-type: none"> <li>• CO<sub>2</sub>, N<sub>2</sub>O</li> <li>• NH<sub>3</sub>, SO<sub>2</sub>, H<sub>2</sub>S</li> </ul> </li> <li>• NICHT verwendbare Gase (inclusive deren Mischungen)             <ul style="list-style-type: none"> <li>• O<sub>2</sub> (Anteil größer als 21%)</li> <li>• Kohlenwasserstoffe</li> </ul> </li> </ul>
-----------------------------------------------------------------------	--------------------------------------------------------------------------------------------------------------------------------------------------------------------------------------------------------------------------------------------------------------------------------------------------------------------------------------------------------------------------------------------------------------------------------------------------------------------------------------------------------------------------------	-----------------------------------------------------------------------------------------------------------------------------------------------------------------------------------------------------------------------------------------------------------------------------------------------------------------------------------------------------------------------------------------------------------------------------------------------------------------------------------------------------------------------------------------------------------------------------------------------------------------------------------------------------------------------------------------------------

Diese Tabelle erhebt keinen Anspruch auf Vollständigkeit. Bei Fragen und Unklarheiten kontaktieren Sie bitte den Hersteller.

**1.2.1. S300/S200/S60**

Diese Entspannungstation ist in der Messing verchromtem und in der Edelstahlversion erhältlich. Sie besteht aus folgenden Komponenten:

- Druckregler mit Eingangs- und Ausgangsdruckmanometer
- Spülventil für Prozessgasspülung und 4-Port Absperrventil am Eingang
- Abblaseventil
- Frontplatte und Grundplatte

ZUSATZ

- S: Sicherheitsventil am Ausgang
- C: Rückschlagventile an den Eingängen
- U: Sicherheitsventil am Ausgang und Rückschlagventile an den Eingängen

**1.2.2. S203**



Diese Entspannungstation ist nur in der Edelstahlversion erhältlich. Sie besteht aus folgenden Komponenten:

- Druckregler mit Eingangs- und Ausgangsdruckmanometer
- Jeweils zwei 4-Port Spülventile und ein 2-Port Ventil für Inert Gas Spülung an den Eingängen
- Abblaseventil
- Frontplatte und Grundplatte

ZUSATZ

- S: Sicherheitsventil am Ausgang

**1.3. SYMBOLERKLÄRUNG**

<p><b>SICHERHEITSHINWEISE</b></p>	<p>Sicherheitshinweise sind in dieser Anleitung durch Symbole gekennzeichnet. Die Sicherheitshinweise werden durch Signalworte eingeleitet, die das Ausmaß der Gefährdung zum Ausdruck bringen.</p>
	<p><b>GEFAHR!</b></p> <p>Diese Kombination aus Symbol und Signalwort weist auf eine unmittelbar gefährliche Situation hin, die zum Tod oder zu schweren Verletzungen führt, wenn sie nicht gemieden wird.</p>
	<p><b>WARNUNG!</b></p> <p>Diese Kombination aus Symbol und Signalwort weist auf eine möglicherweise gefährliche Situation hin, die zum Tod oder zu schweren Verletzungen führen kann, wenn sie nicht gemieden wird.</p>

**VORSICHT!**

Diese Kombination aus Symbol und Signalwort weist auf eine möglicherweise gefährliche Situation hin, die zu geringfügigen oder leichten Verletzungen führen kann, wenn sie nicht gemieden wird.

**HINWEIS!**

Diese Kombination aus Symbol und Signalwort weist auf eine möglicherweise gefährliche Situation hin, die zu Sach- und Umweltschäden führen kann, wenn sie nicht gemieden wird.

**TIPPS UND EMPFEHLUNGEN**

Dieses Symbol hebt nützliche Tipps und Empfehlungen sowie Informationen für einen effizienten und störungsfreien Betrieb hervor.

**BESONDERE HINWEISE**

Um auf besondere Gefahren aufmerksam zu machen, werden in Sicherheitshinweisen folgende Symbole eingesetzt.

**GEFAHR!**

Diese Kombination aus Symbol und Signalwort weist auf eine unmittelbar gefährliche Situation durch elektrischen Strom hin. Wird ein so gekennzeichnete Hinweis nicht beachtet, sind schwere oder tödliche Verletzungen die Folge.

**1.4. HAFTUNGSBESCHRÄNKUNG**

Alle Angaben und Hinweise in dieser Anleitung wurden unter Berücksichtigung der geltenden Normen und Vorschriften, des Stands der Technik sowie unserer langjährigen Erkenntnisse und Erfahrungen zusammengestellt. In folgenden Fällen übernimmt der Hersteller für Schäden keine Haftung:

- Nichtbeachtung dieser Anleitung
- von der bestimmungsgemäßen, abweichenden Verwendung
- Einsatz von nicht ausgebildetem Personal
- eigenmächtige technische und bauliche Veränderungen
- Verwendung nicht zugelassener Ersatzteile
- Betreiben des druckführenden Gerätes bei defekten Sicherheitseinrichtungen oder nicht funktionsgemäß angebrachten oder nicht funktionsfähigen Sicherheits- und Schutzvorrichtungen
- mangelhafte Überwachung von Ausrüstungs-, Verschraubungs- und Dichtungsteilen, die einem Verschleiß unterliegen
- unsachgemäß durchgeführte Reparaturen
- Überschreitung oder Unterschreitung des im Datenblatt angegebenen Temperaturbereichs während des Betriebes bzw. während der Lagerung
- Katastrophenfälle durch Fremdkörpereinwirkung und höhere Gewalt

Der tatsächliche Lieferumfang kann bei Sonderausführungen, der Inanspruchnahme zusätzlicher Bestellungen oder aufgrund neuester technischer Änderungen von den hier beschriebenen Erläuterungen und Darstellungen abweichen. Es gelten die im Liefervertrag vereinbarten Verpflichtungen, die allgemeinen Geschäftsbedingungen sowie die Lieferbedingungen des Herstellers und die zum Zeitpunkt des Vertragsabschlusses gültigen gesetzlichen Regelungen.

**1.5. URHEBERSCHUTZ**

Die Inhalte dieser Anleitung sind urheberrechtlich geschützt. Ihre Verwendung ist im Rahmen der Nutzung des Geräts zulässig. Eine darüber hinausgehende Verwendung ist ohne schriftliche Genehmigung des Herstellers nicht gestattet.

**1.6. ERSATZTEILE****WARNUNG!**

- Verletzungsgefahr durch die Verwendung falscher Ersatzteile!
- Durch die Verwendung falscher oder fehlerhafter Ersatzteile können Gefahren für das Personal entstehen sowie Beschädigungen, Fehlfunktionen oder Totalausfall verursacht werden.

- Nur Originalersatzteile des Herstellers oder vom Hersteller zugelassene Ersatzteile verwenden.
- Bei Unklarheiten stets Hersteller kontaktieren.



## GARANTIEVERUST!

- Bei Verwendung nicht zugelassener Ersatzteile erlischt die Herstellergarantie

## 1.7. GEWÄHRLEISTUNGSBESTIMMUNGEN

Grundsätzlich gelten unsere "Allgemeinen Verkaufs- und Lieferbedingungen". Diese stehen dem Kunden spätestens seit Vertragsabschluss zur Verfügung.

DE

## 1.8. KUNDENSERVICE

Wir sind stets an Informationen und Erfahrungen interessiert, die sich aus der Anwendung ergeben und für die Verbesserung unserer Produkte wertvoll sein können.

## 2. SICHERHEIT

Dieser Abschnitt gibt einen Überblick über alle wichtigen Sicherheitsaspekte für den Schutz von Personen sowie für den sicheren und störungsfreien Betrieb. Weitere aufgabenbezogene Sicherheitshinweise sind in den Abschnitten zu den einzelnen Lebensphasen enthalten.

### 2.1. BESTIMMUNGSGEMÄSSE VERWENDUNG

Die Entspannungsstationen nur für die angegebenen Gase und Drücke unter Einhaltung der angegebenen Temperaturen zu verwenden. Der nominale Volumenstrom beträgt 20 m<sup>3</sup>/h (Druckluft).

Zur bestimmungsgemäßen Verwendung gehören auch die Einhaltung aller Angaben und Hinweise in dieser Anleitung und die Einhaltung der Inspektions- und Wartungsarbeiten, sowie das Beachten des Typenschildes und der Datenblätter.

Jede über die bestimmungsgemäße Verwendung hinausgehende oder andersartige Benutzung gilt als Fehlgebrauch.



#### WARNUNG!

- **Gefahr bei Fehlgebrauch!**
- Fehlgebrauch der Entspannungsstationen kann zu gefährlichen Situationen führen.
- Niemals die Entspannungsstationen für Flüssigkeiten verwenden.
- Niemals Quellen mit höheren Eingangsdrücken anschließen als für die entsprechende Entspannungsstation vorgesehen

#### 2.1.1. BAULICHE VERÄNDERUNG AN DER ENTSPANNUNGSSTATION

Ohne schriftliche Genehmigung des Herstellers keine Veränderung, An- oder Umbauten an der Entspannungsstation vornehmen.

Entspannungsstationen in nicht einwandfreiem Zustand sind sofort auszutauschen

Reinigung der Gasgeräte und Entsorgung der Rückstände



Verwendete zur Reparatur anstehende Entspannungsstationen sind mit einem inerten Gas (Stickstoff) zu spülen.

Geräuschentwicklung

In einigen Fällen kann das ungünstige Zusammenwirken bestimmter Einflussgrößen, wie z.B. Durchfluss und Druckbereich, aber auch die Gasart selbst zu Geräuschentwicklung führen. Bitte setzen Sie sich in diesen Fällen mit dem Hersteller in Verbindung.

### 2.2. GRUNDSÄTZLICHE GEFAHREN

Im folgenden Abschnitt sind Restrisiken benannt, die vom Gerät auch bei bestimmungsgemäßer Verwendung ausgehen können.

Um die Risiken von Personen- und Sachschäden zu reduzieren und gefährliche Situationen zu vermeiden, müssen die hier aufgeführten Sicherheitshinweise und die Sicherheitshinweise in den weiteren Abschnitten dieser Anleitung beachtet werden.

**GEFAHR!**

- **Gase können lebensgefährlich sein!**
- Gase können die Luft verdrängen und damit den darin enthaltenen Sauerstoff. Dies kann zum Erstickenstod führen. Sauerstoff bildet eine hoch oxidative Atmosphäre. Brennbare Gase können eine explosive Atmosphäre bilden.

**DAHER:**

- Für ausreichende Belüftung sorgen!
- Installation nur durch eine zertifizierte Fachfirma!
- ATEX Richtlinien beachten

**ACHTUNG!**

- **Gefahren die durch die Umgebung entstehen können!**
- Durch Kondensation und/ oder Vereisung können defekte am Gerät entstehen.

**DAHER:**

- Temperaturbereiche beachten!
- Schützen Sie das Gerät gegen Flüssigkeiten von außen!
- Schützen Sie das Gerät gegen Staub von außen!
- Wettergeschützt montieren!
- Vorhandene Erdung sachgemäß anbringen!

**WARNUNG!**

- **Unfallgefahr bei der Verwendung von Öl und Fett!**
- Öle und Fette dürfen in Druckregelsystemen grundsätzlich nicht verwendet werden. Öle und Fette sind hochentzündlich und reagieren heftig mit bestimmten komprimierten Gasen.

**DAHER:**

- Keinesfalls Öl und Fett einsetzen!

**WARNUNG!**

- **Unfallgefahr durch im System gespeicherte Energie!**
- Durch falsche Handhabung können drucktragende Teile oder Einzelteile dieser unkontrolliert in Bewegung geraten und ernsthafte oder sogar tödliche Verletzungen verursachen. Durch falsche Handhabung kann Gas aus den drucktragenden Teilen austreten und ernsthafte oder sogar tödliche Verletzungen hervorrufen.

**VOR BEGINN ALLER ARBEITEN MIT DRUCKTRAGENDEN TEILEN:**

- Installation nur durch eine zertifizierte Fachfirma!
- Schutzbrille tragen!
- Gehörschutz tragen!
- Sicherstellen, dass System nicht unter Druck steht!
- Sicherstellen, dass keine Energie mehr im System gespeichert ist!
- Sicherstellen, dass kein Gas ungewollt austreten kann!
- Sicherstellen, dass defekte Teile unmittelbar durch geschultes Personal ausgetauscht werden!

**WARNUNG!**

- **Unfallgefahr!**
- Durch falsche Installation kann es zu ernsthafte oder sogar tödliche Verletzungen kommen.

**DAHER:**

- Sicherung der Geräte vor Herunterfallen während der Installation!
- Geräte nicht werfen!

Drucktragende Teile sind nur für die bestimmungsgemäße Verwendung zu benutzen.

Bei mechanischer Beschädigung der Rohrleitungen und Armaturen muss das System in den sicheren Zustand gebracht werden (betroffenen Abschnitt sperren).

Störungen, welche die Sicherheit beeinträchtigen können, sind umgehend durch dafür geschulte und qualifizierte Mitarbeiter bzw. den Hersteller zu beseitigen.

Besonders bei Gasen besteht die Gefahr eines Defektes am Leitungsdruckregler. Kennzeichen dafür sind entweder kein Gasdurchfluss nach dem Druckregler oder ein plötzlicher Hinterdruckanstieg. Bei Defekt des



Druckreglers ist das System sofort außer Betrieb zu nehmen. Die zuständige Wartungsfirma ist unbedingt zu informieren. Nie Abblaseleitungen verschließen.

## 2.3. VERANTWORTUNG DES BETREIBERS

### *BETREIBER*

Betreiber ist diejenige Person, die das Gerät zu gewerblichen oder wirtschaftlichen Zwecken selbst betreibt oder einem Dritten zur Nutzung/Anwendung überlässt und während des Betriebs die rechtliche Produktverantwortung für den Schutz des Benutzers, des Personals oder Dritter trägt.

DE

### *BETREIBERPFLICHTEN*

Das Gerät wird im gewerblichen Bereich eingesetzt. Der Betreiber des Geräts unterliegt daher den gesetzlichen Pflichten zur Arbeitssicherheit.

Neben den Sicherheitshinweisen in dieser Anleitung müssen die für den Einsatzbereich des Geräts gültigen Sicherheits-, Unfallverhütungs- und Umweltschutzvorschriften eingehalten werden.

### *DABEI GILT INSBESONDERE FOLGENDES:*

- Der Betreiber muss sich über die geltenden Arbeitsschutzbestimmungen informieren und in einer Gefährdungsbeurteilung zusätzlich Gefahren ermitteln, die sich durch die speziellen Arbeitsbedingungen am Einsatzort des Geräts ergeben. Diese muss er in Form von Betriebsanweisungen für den Betrieb des Geräts umsetzen.
- Der Betreiber muss während der gesamten Einsatzzeit des Geräts prüfen, ob die von ihm erstellten Betriebsanweisungen dem aktuellen Stand der Regelwerke entsprechen, und diese, falls erforderlich, anpassen.
- Der Betreiber muss die Zuständigkeiten für Installation, Bedienung, Störungsbeseitigung, Wartung und Reinigung eindeutig regeln und festlegen.
- Der Betreiber muss dafür sorgen, dass alle Personen, die mit dem Gerät umgehen, diese Anleitung gelesen und verstanden haben. Darüber hinaus muss er das Personal in regelmäßigen Abständen schulen und über die Gefahren informieren.
- Der Betreiber muss dem Personal die erforderliche Schutzausrüstung bereitstellen und das Tragen der erforderlichen Schutzausrüstung verbindlich anweisen.
- Darüber hinaus ist der Betreiber dafür verantwortlich, dass die volle technische Zuverlässigkeit der Anlage jederzeit gewährleistet ist.

### *DAMIT GILT FOLGENDENDES:*

- Der Betreiber muss die Einhaltung der in dieser Anleitung angegebenen Wartungsintervalle sicherstellen.
- Der Betreiber muss sicherstellen, dass alle Sicherheitseinrichtungen regelmäßig auf Funktionssicherheit und Vollständigkeit überprüft werden

## 2.4. PERSONALANFORDERUNGEN

### 2.4.1. QUALIFIKATIONEN

Die verschiedenen in dieser Anleitung beschriebenen Aufgaben stellen unterschiedliche Anforderungen an die Qualifikation der Personen, die mit diesen Aufgaben betraut sind.



### **WARNUNG!**

- **Gefahr bei unzureichender Qualifikation von Personen!**
- Unzureichend qualifizierte Personen können die Risiken beim Umgang mit dem Gerät nicht einschätzen und setzen sich und andere der Gefahr schwererer oder tödlicher Verletzungen aus.
- Alle Arbeiten nur von dafür qualifizierten Personen durchführen lassen!
- Unzureichend qualifizierte Personen aus dem Arbeitsbereich fernhalten!

Für alle Arbeiten sind nur Personen zugelassen, von denen zu erwarten ist, dass sie diese Arbeiten zuverlässig ausführen. Personen, deren Reaktionsfähigkeit beeinflusst ist, z. B. durch Drogen, Alkohol oder Medikamente, sind nicht zugelassen.

In dieser Anleitung werden die im Folgenden aufgeführten Qualifikationen der Personen für die verschiedenen Aufgaben benannt:

### *GASTECHNIK-INGENIEUR*

Besitzt Fachausbildung, Fähigkeiten, Erfahrung und Wissen bezüglich relevanter Normen und Richtlinien um Arbeiten an Druckregelsystemen vornehmen zu können und potentielle Risiken zu erkennen. Gastech-  
nik-Ingenieure sind speziell geschult im Hinblick auf die jeweilige Produktionsstätte und deren spezifische Standards und Richtlinien.

## TECHNIKER

Besitz Fachausbildung, Fähigkeiten, und Erfahrung bezüglich relevanter Normen und Richtlinien um Arbeiten an Druckregelsystemen vornehmen zu können und potentielle Risiken zu erkennen.

### 2.4.2. UNBEFUGTE

DE



#### WARNUNG!

- **Lebensgefahr für Unbefugte durch Gefahren im Gefahren- und Arbeitsbereich!**
- Unbefugte Personen, die die hier beschriebenen Anforderungen nicht erfüllen, kennen die Gefahren im Arbeitsbereich nicht. Daher besteht für Unbefugte die Gefahr schwerer Verletzungen bis hin zum Tod.
- Unbefugte Personen vom Gefahren- und Arbeitsbereich fernhalten!
- Im Zweifel Personen ansprechen und sie aus dem Gefahren- und Arbeitsbereich weisen!
- Die Arbeiten unterbrechen, solange sich Unbefugte im Gefahren- und Arbeitsbereich aufhalten!

### 2.4.3. UNTERWEISUNG

Der Besitzer muss das Personal regelmäßig unterweisen. Zur besseren Nachverfolgung muss ein Unterweisungsprotokoll mit folgenden Mindestinhalten erstellt werden:

- Datum der Unterweisung
- Name des Unterwiesenen
- Inhalte der Unterweisung
- Name des Unterweisenden
- Unterschriften des Unterwiesenen und des Unterweisenden

## 2.5. PERSÖNLICHE SCHUTZAUSRÜSTUNG

Persönliche Schutzausrüstung dient dazu, Personen vor Beeinträchtigungen der Sicherheit und Gesundheit bei der Arbeit zu schützen.

Das Personal muss während der verschiedenen Arbeiten an und mit dem Gerät persönliche Schutzausrüstung tragen, auf die in den einzelnen Abschnitten dieser Anleitung gesondert hingewiesen wird.

---

#### ATEMSCHUTZGERÄT, UMLUFT UNABHÄNGIG



Schutz vor schädlichen Gasen, Dämpfen, Stäuben und ähnlichen Stoffen. Atemschutzgeräte wie z.B. Pressluftatmer müssen eingesetzt werden, wenn ein Sauerstoffgehalt von über 17% in der Umgebungsluft nicht garantiert werden kann und/oder ein Überschreiten der zulässigen Grenzwerte schädlicher Stoffe in der Umgebungsluft nicht ausgeschlossen werden kann. Umluft unabhängige Atemschutzgeräte dürfen nur von speziell geschultem Personal getragen werden.

---

#### ATEMSCHUTZGERÄT, UMLUFT ABHÄNGIG



Schutz vor schädlichen Gasen, Dämpfen, Stäuben und ähnlichen Stoffen. Umluft abhängige Atemschutzgeräte müssen eingesetzt werden, wenn ein Überschreiten der zulässigen Grenzwerte schädlicher Stoffe in der Umgebungsluft nicht ausgeschlossen werden kann. Umluft abhängige Atemschutzgeräte dürfen nur bei einem garantierten Sauerstoffgehalt in der Atemluft von über 17% eingesetzt werden.

---

#### SCHUTZBRILLE



Schutz vor umherfliegenden Teilen und Tropfen.

---

#### HANDSCHUHE, CHEMISCH RESISTENT



Schutz der Hände vor aggressiven Substanzen. Es ist auf Dichtigkeit der Handschuhe acht zu geben. Nach Gebrauch Handschuhe fachgerecht entsorgen.

---

#### SCHUTZHANDSCHUHE



Schutz der Hände vor mechanischen Einflüssen und heißen sowie kalten Oberflächen.

---



## GEHÖRSCHUTZ TRAGEN

Schützt das Gehört vor zu lauten Geräuschen und beugt Schalltraumata vor.

## 2.6. VERHALTEN BEI FEUERAUSBRUCH UND BEI UNFÄLLEN

### VORBEUGENDE MASSNAHMEN

- Stets auf Feuer und Unfälle vorbereitet sein!
- Erste-Hilfe-Einrichtungen (Verbandkasten, Decken usw.) und Feuerlöscheinrichtungen funktionstüchtig und griffbereit aufbewahren.
- Personal mit Unfallmelde-, Erste-Hilfe- und Rettungseinrichtungen vertraut machen.
- Zufahrtswege für Rettungsfahrzeuge freihalten.

### MASSNAHMEN BEI FEUERAUSBRUCH UND UNFÄLLEN

- Wenn keine Gefahr für die eigene Gesundheit besteht, Personen aus der Gefahrenzone bergen.
- Falls erforderlich Erste-Hilfe-Maßnahmen einleiten.
- Feuerwehr und/oder Rettungsdienst alarmieren.
- Bei Feuersausbruch: Wenn keine Gefahr für die eigene Gesundheit besteht, Feuer mit Feuerlöscheinrichtungen bekämpfen und Feuerbekämpfung bis zum Eintreffen der Feuerwehr fortsetzen.
- Verantwortlichen am Einsatzort informieren.
- Zufahrtswege für Rettungsfahrzeuge freimachen.
- Rettungsfahrzeuge einweisen.

## 2.7. UMWELTSCHUTZ



### HINWEIS!

- **Gefahr für die Umwelt durch falsche Handhabung von umweltgefährdenden Stoffen!**
- Bei falschem Umgang mit umweltgefährdenden Stoffen, insbesondere bei falscher Entsorgung, können erhebliche Schäden für die Umwelt entstehen.
- Die unten genannten Hinweise zum Umgang mit umweltgefährdenden Stoffen und deren Entsorgung stets beachten!
- Wenn umweltgefährdende Stoffe versehentlich in die Umwelt gelangen, sofort geeignete Maßnahmen ergreifen. Im Zweifel die zuständige Kommunalbehörde über den Schaden informieren und geeignete zu ergreifende Maßnahmen erfragen!

## 2.8. BESCHILDERUNG



### WARNUNG!

- **Gefahr bei unleserlicher Beschilderung!**
- Im Laufe der Zeit können Aufkleber und Schilder verschmutzen oder auf andere Weise unkenntlich werden, so dass Gefahren nicht erkannt und notwendige Bedienungshinweise nicht befolgt werden können. Dadurch besteht Verletzungsgefahr.
- Alle Sicherheits-, Warn- und Bedienungshinweise in stets gut lesbarem Zustand halten.
- Beschädigte Schilder oder Aufkleber sofort erneuern.

### 2.8.1. GEBOTZEICHEN

- keine Zeichen

### 2.8.2. VERBOTZEICHEN

- keine Zeichen

### 2.8.3. WARNZEICHEN



WARNUNG VOR GASFLASCHEN



WARNUNG VOR  
EXPLOSIONSFÄHIGER  
ATMOSPHERE

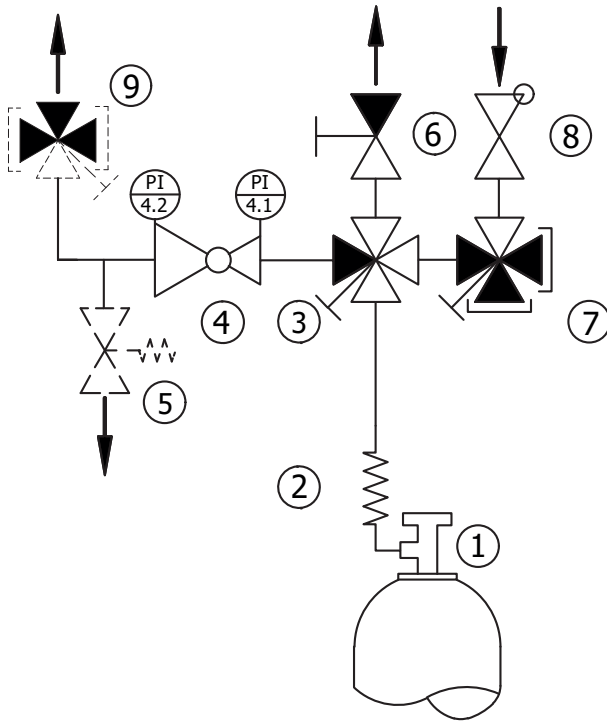


WARNUNG VOR GIFTIGEN UND/  
ODER KORROSIVEN STOFFEN

### 3. TECHNISCHE DATEN

#### 3.1. FLIESSSCHEMA – S300/S200/S60

DE

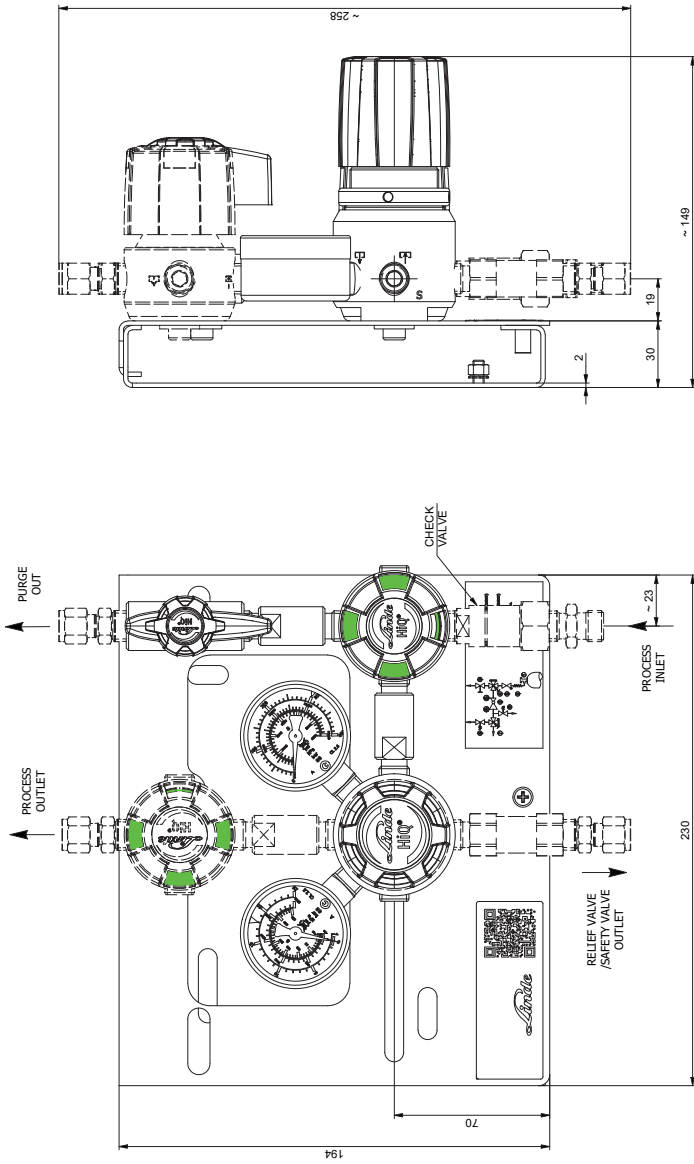


- 1 – GASFLASCHE
- 2 – ANSCHLUSSWENDEL / SCHLAUCH
- 3 – ABSPERRVENTIL (3XIN, 1XOUT)
- 4 – DRUCKREGLER MIT EINGANGS/AUSGANGSMANOMETER
- 5 – ABBLASEVENTIL/SICHERHEITSVENTIL
- 6 – SPÜLVENTIL ZUR EIGENGASSPÜLUNG
- 7 – SPÜLVENTIL EINGANG (1X IN, 3X OUT)
- 8 – RÜCKSCHLAGVENTIL
- 9 – ABSPERRVENTIL (1X IN, 3X OUT); (OPT.)

Optionen dargestellt als gepunktete Linie

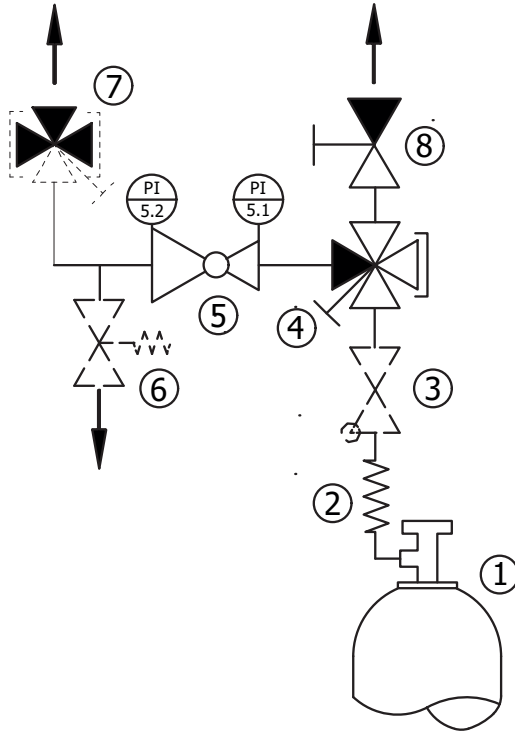
### 3.2. MASSBLATT – S300/S200/S60

DE



### 3.3. FLIESSSCHEMA – S203

DE

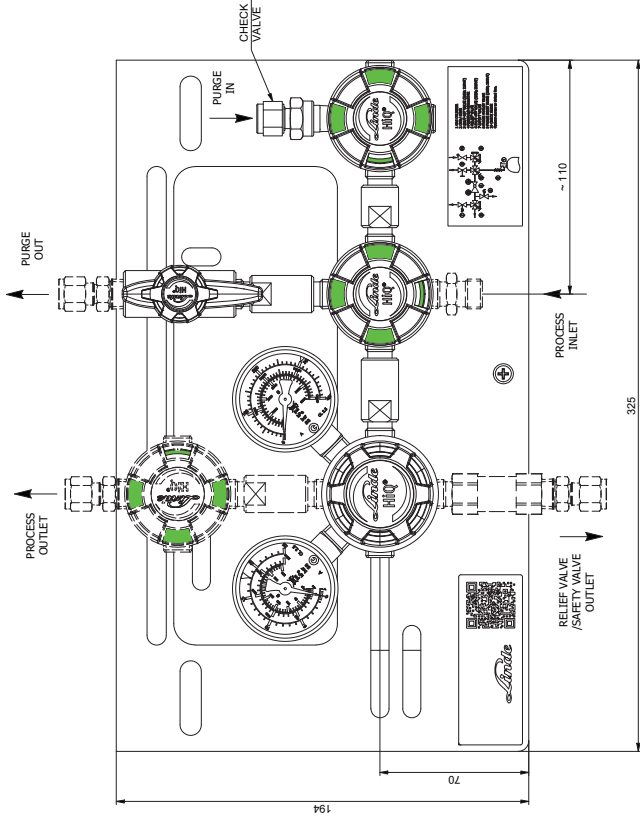
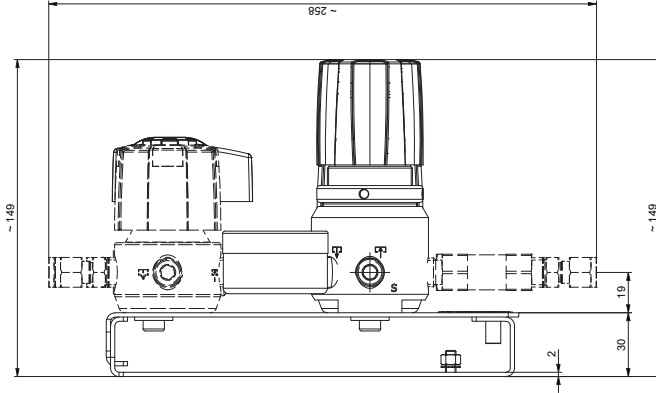


- 1 – GASFLASCHE
- 2 – ANSCHLUSSWENDEL / SCHLAUCH
- 3 – RÜCKSCHLAGVENTIL (OPT.)
- 4 – ABSPERRVENTIL (3X IN; 3X OUT)
- 5 – DRUCKREGLER MIT EINGANGS/AUSGANGSMANOMETER
- 6 – ABBLASEVENTIL/SICHERHEITSVENTIL (OPT.)
- 7 – ABSPERRVENTIL (1X IN, 3X OUT) (OPT.)
- 8 – SPÜLVENTIL ZUR EIGENGASSPÜLUNG

Optionen dargestellt als gepunktete Linie

### 3.4. MASSBLATT – S203

DE



### 3.5. ALLGEMEINE ANGABEN

Angabe	S300/S200/S60-BC	S300/S200/S60-SS
max. Gewicht[kg]	5,25	8,57
Länge [mm]	230	230
Breite [mm]	150	150
Höhe[mm]	194	194

Angabe	S203-SS
max. Gewicht[kg]	6,97
Länge [mm]	325
Breite [mm]	150
Höhe[mm]	194

### 3.6. ANSCHLUSSWERTE

Angabe	Wert	Einheit
Eingang	NPT 1/4" female verschiedene Adapter verfügbar	metrisch zöllig
Ausgang	1/8", 1/4", 3/8", 1/2" 3, 6, 8, 10, 12	Klemmringe zöllig Klemmringe mm
Abblaseventil / Spülventil falls vorhanden	1/4", 3/8", 1/2" 6, 8, 10, 12	Klemmringe zöllig Klemmringe mm
Sicherheitsventil	NPT 1/2" female	Zoll

### 3.7. LEISTUNGSWERTE

Angabe	Wert	Einheit
Nominaler Durchfluss	20 (Druckluft)	m <sup>3</sup> /h
Eingangsdruck (max.)	S300: 300 S203: 200 S200: 200 S60: 60	bar
Ausgangsdruck (max.)	200	bar

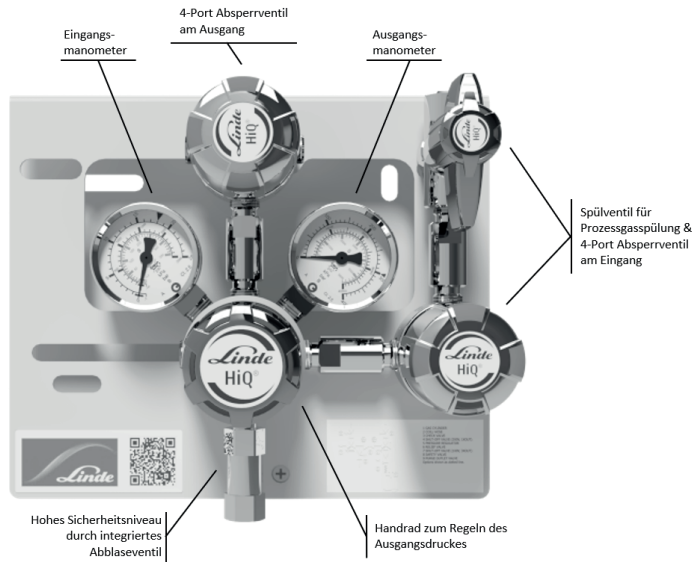
### 3.8. BETRIEBSBEDINGUNGEN UMGEBUNG

Angabe	Wert	Einheit
Temperaturbereich	-20 bis +60	°C
Relative Luftfeuchte (max.)	98	%



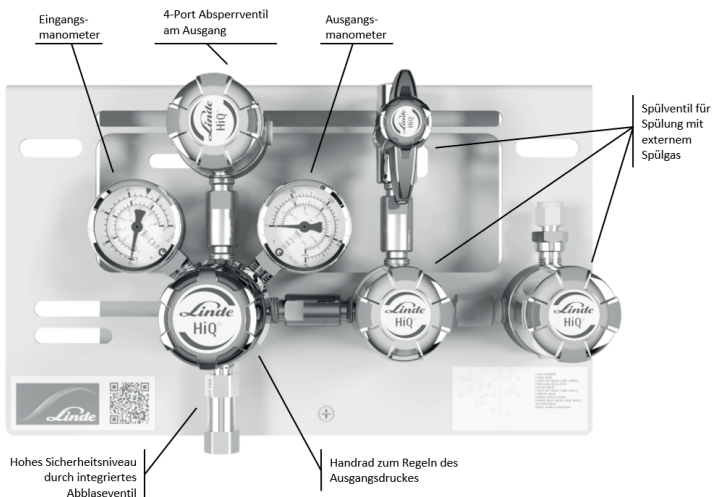
## 4. AUFBAU UND FUNKTION

### 4.1. AUFBAU – S300/S200/S60



DE

### 4.2. AUFBAU – S203



### 4.3. KURZBESCHREIBUNG

Durch die Entspannungsstationen vom Typ **S300/S200/S60-BC...**(Material: **Messing verchromt**) wird ein industrielles, nicht giftiges und nicht ätzendes Gas oder Gasmisch, welches in einem Druckgasbehälter/ Druckgasbehälterbündel unter Überdruck gespeichert ist, von einem maximalen Druck von bis zu 300 bar auf einen Rohrleitungsdruck (3 bar, 6 bar, 10 bar, 14 bar, 28 bar, 50 bar, 100 bar, 200 bar) entspannt.

Durch die Entspannungsstationen vom **Typ S300/S200/S60/S203-SS...(Material: Edelstahl)** werden auch giftiges und ätzendes Gas oder Gasgemisch, welches in einem Druckgasbehälter/ Druckgasbehälterbündel unter Überdruck gespeichert ist, von einem maximalen Druck von bis zu 300 bar auf einen Rohrleitungsdruck (3 bar, 6 bar, 10 bar, 14 bar, 28 bar, 50 bar, 100 bar, 200 bar) entspannt.

Ein Abblaseventil im Druckminderer der Station sichert dessen Hinterdruckbereich gegen unzulässigen Druckanstieg durch eine Leckage im Druckminderersitz ab. Hinzukommen können Sicherheitsventil und/ oder Rückschlagventil.

Der tatsächliche Vor- und Hinterdruck am Druckminderer der Station wird durch Rohrfederanometer angezeigt. Es besteht sowohl im Vor- als auch im Hinterdruckbereich des Druckminderers die Möglichkeit des Einsatzes von Kontaktmanometern.

Besitzt die Station ein Eigengasspülssystem, können die Hochdruckbereiche der Station vor deren Inbetriebnahme von eventuellen Verunreinigungen freigespült werden. Weiterhin ist durch dieses System die Entlastung der Hochdruckbereiche der Station vor dem Flaschenwechsel möglich.

Besitzt die Station eine Fremdgasspülung (S203), können die Hochdruckbereiche der Station vor deren Inbetriebnahme mit einem inerten Spülgas freigespült werden und einen sicheren Flaschenwechsel und/ oder eine sichere Wartung zu gewährleisten. Die Version mit Fremdgasspülung ist nur in der Edelstahlausführung der Entspannungsstation erhältlich.

Alle oben beschriebenen Systeme sind auf einer gemeinsamen Edelstahl Konsole befestigt. Durch genügend große Dimensionierung dieser Konsole sind alle Einzelkomponenten der Station während der Fracht im Paket und im montierten Zustand ausreichend gegen unbeabsichtigte Beschädigung geschützt. Die geteilte Ausführung der Konsole ermöglicht deren einfache, gewichtsreduzierte Befestigung. Eine Öffnung in der Frontplatte der Konsole ermöglicht den Austausch von Manometern ohne Demontage der Konsole von der Station und der damit verbundenen Demontage vom Versorgungssystem. An der Grundplatte befindet sich auf jeder Stationsseite eine Bohrung zur Befestigung von Flaschenanschlussschläuchen per Karabinerhaken. Der Anschluss der Station an den örtlichen Potentialausgleich kann an einer dafür auf der Grundplatte der Konsole angebrachten Schraube erfolgen.

Die Entwicklung, Fertigung und Produktionsprüfung der o. g. Systeme erfolgte u. a. unter Einhaltung folgender Standards:

- Druckminderer- ISO 7291
- Ventile- ISO 10297
- Manometer EN 837-1
- Mechanischer Explosionsschutz der Komplettstation- ISO80079-36; IEC 60079-32-1; TRGS 727

## 5. TRANSPORT, VERPACKUNG UND LAGERUNG



### TIPPS UND EMPFEHLUNGEN!

- Die Installation und Erstinbetriebnahme erfolgt idealerweise durch Mitarbeiter des Herstellers oder durch von ihm autorisierte Personen.
- Dennoch kann es vorkommen, dass im Rahmen der Installation und der weiteren Nutzung Bediener oder Wartungspersonal des Betreibers mit der Handhabung von Packstücken betraut werden. Dabei die im Folgenden aufgeführten Hinweise unbedingt beachten.

### 5.1. SICHERHEITSHINWEISE FÜR DEN TRANSPORT



#### HINWEIS!

- **Sachschäden durch unsachgemäßen Transport!**
- Bei unsachgemäßem Transport können Transportstücke fallen oder umstürzen. Dadurch können Sachschäden in erheblicher Höhe entstehen.
- Beim Abladen der Transportstücke bei Anlieferung sowie bei innerbetrieblichem Transport vorsichtig vorgehen und die Symbole und Hinweise auf der Verpackung beachten.
- Nur die vorgesehene Anschlagpunkte verwenden.
- Verpackungen erst kurz vor der Montage entfernen.

## 5.2. TRANSPORT INSPEKTION

Die Lieferung bei Erhalt unverzüglich auf Vollständigkeit und Transportschäden prüfen.

*BEI ÄUSSERLICH ERKENNBAREM TRANSPORTSCHADEN WIE FOLGT VORGEHEN:*

- Lieferung nicht oder nur unter Vorbehalt entgegennehmen.
- Schadensumfang auf den Transportunterlagen oder auf dem Lieferschein des Transporteurs vermerken.
- Reklamation einleiten.



### TIPPS UND EMPFEHLUNGEN!

- Jeden Mangel reklamieren, sobald er erkannt ist. Schadensersatzansprüche können nur innerhalb des Gewährleistungszeitraums geltend gemacht werden.

## 5.3. VERPACKUNG

Die einzelnen Packstücke sind entsprechend den zu erwartenden Transportbedingungen verpackt. Für die Verpackung wurden ausschließlich umweltfreundliche Materialien verwendet.

Die Verpackung soll die einzelnen Bauteile bis zur Montage vor Transportschäden, Korrosion und anderen Beschädigungen schützen. Daher die Verpackung nicht zerstören und erst kurz vor der Montage entfernen.



### HINWEIS!

- **Gefahr für die Umwelt durch falsche Entsorgung!**
- Verpackungsmaterialien sind wertvolle Rohstoffe und können in vielen Fällen weiter genutzt oder sinnvoll aufbereitet und wiederverwertet werden. Durch falsche Entsorgung von Verpackungsmaterialien können Gefahren für die Umwelt entstehen.
- Verpackungsmaterialien umweltgerecht entsorgen.
- Die örtlich geltenden Entsorgungsvorschriften beachten. Gegebenenfalls einen Fachbetrieb mit der Entsorgung beauftragen.

## 5.4. LAGERUNG

*PACKSTÜCKE UNTER FOLGENDEN BEDINGUNGEN LAGERN:*

- Nicht im Freien aufbewahren.
- Trocken und staubfrei lagern.
- Keinen aggressiven Medien aussetzen.
- Vor Sonneneinstrahlung schützen.
- Mechanische Erschütterungen vermeiden.
- Lagertemperatur: 15 bis 35 °C.
- Relative Luftfeuchtigkeit: max. 60 %.
- Bei Lagerung länger als 3 Monate regelmäßig den allgemeinen Zustand aller Teile und der Verpackung kontrollieren. Falls erforderlich, die Konservierung auffrischen oder erneuern.



### TIPPS UND EMPFEHLUNGEN!

- Unter Umständen befinden sich auf den Packstücken Hinweise zur Lagerung, die über die hier genannten Anforderungen hinausgehen. Diese entsprechend einhalten.

# 6. INSTALLATION UND ERSTINBETRIEBNAHME

## 6.1. SICHERHEITSHINWEISE FÜR DIE INSTALLATION UND ERSTINBETRIEBNAHME

*PERSONAL*

Die Installation und Erstinbetriebnahme darf nur von qualifiziertem Personal durchgeführt werden.

## 6.2. VORBEREITUNGEN

*ENTPACKEN*

- Die Komponenten müssen vorsichtig und umsichtig entpackt werden.
- Zusätzliche Verpackungsmaterialien ebenfalls entfernen.
- Alle Komponenten auf etwaige Transportschäden hin untersuchen

## ENTLASTEN

- Gasdruck in eventuell bestehenden Anlagen entlasten, ggf. mit Inertgas spülen
- Rohrleitung in eventuell bestehenden Anlagen mit Spezialwerkzeug trennen, dabei Späne vermeiden
- Auf einwandfreien Zustand und Reinheit der Anschlusssteile achten

## 6.3. INSTALLATION

Die Installation und Erstinbetriebnahme darf nur von qualifiziertem Personal durchgeführt werden.

Die Grundplatte der Entspannungsstation wird in einer Montagehöhe von 164 cm befestigt.

Die Frontplatte mit der Entspannungsstation wird in die Grundplatte eingehängt und mit der mitgelieferten Schraube unten in der Mitte befestigt.

Die Grundplatte ist über die vorgesehene Schraube zu erden.

Die Entspannungsstation wird üblicherweise mit Klemmringverschraubungen an Prozessgasausgang, Abblaseventil, Spülgaseingänge und Spülgasausgang montiert.

Falls vorhanden, das Sicherheits- und/oder Rückschlagventil ebenfalls anschließen.

Zuerst werden die Verschlusskappen von den Anschlüssen entfernt.

Die Montage erfolgt durch das vollständige Einfügen der Rohrleitung in die Verschraubung. Dann die Überwurfmutter mit der Hand aufschrauben und mit einem Gabelschlüssel (1 ¼ Umdrehungen) fest anziehen (erste Installation 1 ¼ Umdrehungen für Rohrleitungen größer als 1/8 Zoll und 3/4 Umdrehungen für Rohrleitungen mit 1/8 Zoll oder kleiner, Wiederinstallation 1/4 Umdrehungen für alle Rohrleitungen).

Die Abblaseleitung wird auf dieselbe Weise am Abblaseventil angeschlossen. Die Abgas- und Abblaseleitung dürfen **NICHT** zusammengeführt werden und sind gefahrlos ins Freie zu führen, dies gilt falls vorhanden ebenso für den Anschluss der Leitung an das Sicherheitsventil.

Zum Anschließen der Gasflaschen an die Entspannungsstation dienen genormte Anschlusswendeln und Anschlussschläuche (lieferbares Zubehör).

Die Anschlusswendel/ der Anschluss Schlauch wird immer separat geliefert. Die richtige Zuordnung der Leitung/ des Schlauches muss überprüft werden. Auf der Anschlussmutter ist die Flaschenanschlussnummer eingeschlagen. Es gibt jeweils nur eine Ausführung der Anschlusswendeln/ Anschlussschläuche. Diese ist für den Anschluss an linken und rechten Seite der Entspannungsstation geeignet.

Zur Montage der Anschlusswendel/ des Anschluss Schlauches an der Entspannungsstation zunächst die Kunststoffkappe von Anschlussgewinde der Anschlusswendel/ des Anschluss Schlauch und der Entspannungsstation entfernen. Bitte darauf achten, dass die mit der Anschlusswendel/ dem Anschluss Schlauch mitgelieferte Flachdichtung in die Überwurfmutter eingelegt ist.

Die Überwurfmutter dann auf das Anschlussgewinde am Eingang der Entspannungsstation zunächst von Hand aufschrauben und anschließend mit einem Gabelschlüssel festziehen. Bei Verwendung eines Anschluss Schlauches, kann das Fangseil mit Karabinerhaken unten in die Grundplatte eingehängt werden.

Zum Anschließen der Anschlusswendel/ des Anschluss Schlauches an die Gasflasche müssen das Gewinde von Flaschenventil und Überwurfmutter in einwandfreiem Zustand sein.

Bei jedem Neuanschießen eine neue Dichtung verwenden. Es dürfen nur Anschlusswendeln und Anschluss schläuche des Herstellers entsprechend der eingesetzten Gasart verwendet werden.

Die Flachdichtungen auf den richtigen Sitz im Anschlussstutzen der Anschlusswendel oder des Anschluss Schlauches überprüfen. Beim Anziehen darf keine Schlüsselverlängerung verwendet werden, da sonst Gewinde und Dichtung zerstört werden. Dies kann zu einer Leckage führen.

## 6.4. VORAUSSETZUNG ZUR ERSTINBETRIEBNAHME

- Die Prüfprotokolle der Leitungssysteme hinsichtlich der Dichtheit, wenn gefordert auch Feuchte und Partikel, liegen vor.
- Die Prozessgasleitungen, die Spülgasleitungen und die Abblaseleitung, sowie Leitungen an Sicherheits- und/ oder Rückschlagventilen falls vorhanden sind angeschlossen
- In der Prozessgasleitung ist nur Standardgas. (siehe Punkt 1.2)
- Die Inbetriebnahme darf nur durch ausgewiesenes Fachpersonal erfolgen.
- Es ist den Vorschriften entsprechende Schutzkleidung zu tragen.
- Es ist ein funkenfreies Spezialwerkzeug zu verwenden und vor der Inbetriebnahme bereitzulegen.
- Überprüfen Sie vor Erstinbetriebnahme anhand des Typenschildes, ob die vorliegende Entspannungsstation für den vorgesehenen Verwendungszweck geeignet ist (Gas, Druck, Werkstoff, etc.)

## 6.5. ERSTINBETRIEBNAHME

- Alle Voraussetzungen sind gemäß Punkt 6.4 erfüllt
- Druckregler der zweiten Druckstufe ist entspannt (geschlossen)
- Alle sich auf der Entspannungsstation befindlichen Ventile sind geschlossen



### WARNUNG!

- Es ist unbedingt darauf zu achten, dass die Entspannungsstation nicht über den zulässigen Betriebsdruck hinaus mit Druck beaufschlagt wird.
- Vor der Inbetriebnahme sicherstellen, dass niemand durch das in Betrieb nehmen des Druckgerätes gefährdet werden kann.

DE

### 6.5.1. PROZESSGASSPÜLUNG (S300/S200/S60)

Entspannungsstationen mit Eigengasspülung S300/S200/S60 werden eingesetzt, damit die beim Flaschenwechsel ins System eingedrungene Atmosphärenluft entfernt werden kann und die Wendelleitung oder der Anschlussschlauch zum Flaschenwechsel entlastet werden kann. Sicherstellen, dass eine Abblaseleitung angeschlossen ist.

1. Ventil zur Prozessgasspülung ist geschlossen, Knebel steht quer zur Durchflussrichtung (2-Port Ventil).
2. Druckregler ist entspannt (zu).
3. Eingangs Absperrventil schließen, rote Markierung ist sichtbar (4-Port Ventil).
4. Nun ist das Eingangs Absperrventil nur Richtung Druckminderer abgesperrt. Der Weg Richtung Ventil zu Prozessgasspülung ist frei.
5. Flaschenventil langsam öffnen.
6. Prozessgas strömt in die Anschlusswendel/ den Anschlussschlauch.
7. Flaschenventil wieder schließen.
8. Ventil zur Prozessgasspülung kurz öffnen und die jetzt in der Anschlusswendel/ dem Anschlussschlauch enthaltene Gasmenge über die Spülgasleitung entweichen lassen.
9. Danach Ventil zur Prozessgasspülung sofort wieder schließen.

*DIE SCHRITTE 4. – 9. MINDESTENS 10X WIEDERHOLEN*

### 6.5.2. FREMDGASSPÜLUNG (S203)

Entspannungsstationen S203 mit Fremdgasspülung werden eingesetzt, damit vor dem Flaschenwechsel giftiges und/oder ätzendes Gas entfernt werden kann und die Wendelleitung oder der Anschluss-schlauch zum Flaschenwechsel entlastet werden kann. Sicherstellen, dass eine Abblaseleitung angeschlossen ist.

1. Überprüfen, ob Spülgaseingang, Spülgasausgang, Prozessgaseingänge, Abblaseleitung und gegebenenfalls Sicherheitsventil ordnungsgemäß angeschlossen sind.
2. Alle Ventile schließen, die roten Markierungen müssen sichtbar sein (4-Port).
3. Druckminderer durch Drehen des Handrades gegen den Uhrzeigersinn schließen.
4. Eingangsspülventil öffnen.
5. Eingangsspülventil wieder schließen. Das eingeströmte Gas einige Sekunden in der Komponente verweilen lassen.
6. Ausgangsspülventil kurz öffnen und Spülgas entweichen lassen.
7. Ausgangsspülventil wieder schließen.

*DIE SCHRITTE 4. – 7. FÜR EIN EINWANDFREIES SPÜLERGEBNIS MINDESTENS 10X WIEDERHOLEN.*

### 6.5.3. FÜLLEN DER PROZESSGASLEITUNG MIT PROZESSGAS

Vor Inbetriebnahme und Befüllen des nachfolgenden Leitungssystems je nach Entspannungsstation Eigengasspülung (siehe Punkt 6.5.1) oder Fremdgasspülung (siehe Punkt 6.5.2) durchführen. Aus Sicherheitsgründen empfehlen wir in jedem Fall die Montage einer Abblaseleitung.

1. Überprüfen, ob Anschlusswendel/ Anschlussschlauch, Spül-, Prozess-, Sicherheits- und Abblaseleitung ordnungsgemäß angeschlossen sind.
2. Alle Ventile der Entspannungsstation schließen, rote Markierung sichtbar (4-Port).
3. Handrad des Druckreglers bis zum Anschlag gegen den Uhrzeigersinn drehen – Durchgang ist damit geschlossen.
4. Flaschenventil langsam öffnen.
5. Eingangs Absperrventil **LANGSAM** öffnen.
6. Ausgangsdruck mit dem Handrad des Reglers durch Drehen im Uhrzeigersinn einstellen.
7. Entspannungsstation ist nun in Betrieb.
8. Es wird empfohlen die Entspannungsstation täglich zu kontrollieren und die Drücke zu überprüfen.

## 6.5.4. FLASCHENWECHSEL

MAK-Werte (siehe Technische Regeln für Gefahrstoffe, TRGS 900) beachten.

1. Flaschenventil an der Gasflasche schließen.
2. Absperrventil der Station schließen.
3. Ausgangsspülventil öffnen um Anschlusswendel oder –schlauch zu entspannen.
4. S300/S200/S60: Prozessgasspülung durchführen (siehe Punkt 6.5.1).  
S203: Fremdgasspülung durchführen (siehe Punkt 6.5.2).
5. Eingangsabsperrventil schließen.
6. Anschlusswendel/ Anschluss Schlauch von Flaschenventil der leeren Gasflasche lösen.
7. Neue Brauchgasflasche anschließen, dabei **IMMER** neuen Flachdichtung / O-Ring verwenden.

*VOR WIEDERINBETRIEBNAHME:*

8. S300/S200/S60: Prozessgasspülung (6.5.1) durchführen.  
S203: Fremdgasspülung (6.5.2) durchführen.
9. Anschlusswendel/ Anschluss Schlauch mit Prozessgas füllen.

## 6.5.5. AUSSERBETRIEBNAHME DER ANLAGE

Durch Drehen des Druckregler Handrades gegen den Uhrzeigersinn die Entspannungsstation schließen. Das Schließen des Druckreglers garantiert keine Dichtheit, es kann ein Gasaustritt durch die Schläuche oder die angeschlossenen Verbraucher stattfinden.

Brauchgasabsperrventil schließen.

Aus Sicherheitsgründen auch immer das Flaschenventil schließen.

*BEI KOMPLETTEM AUSBAU DER ENTSPANNUNGSSTATION IST FOLGENDES ZU BEACHTEN:*



### GEFAHR!

- Druckregler und Leitungen durch Ableiten des Gases über den Verbraucher entspannen. Die Zeiger der Eingangs- und Ausgangsmanometer müssen vollständig auf „0“ stehen.
- Gegebenenfalls Eigengas- oder Fremdgasspülung durchführen.
- Entsprechende Personenschutzmaßnahmen sind zu treffen.
- MAK-Werte beachten.
- Es ist unbedingt darauf zu achten, dass die Entspannungsstation nicht über den zulässigen Betriebsdruck hinaus mit Druck beaufschlagt wird.
- Vor der Inbetriebnahme sicherstellen, dass niemand durch die Inbetriebnahme des Druckgerätes gefährdet werden kann.

## 6.6. PRÜFUNGEN

- Nach der Druckbeaufschlagung die Funktion des Druckreglers überprüfen.
- Dichtigkeit des Abblaseventils überprüfen.
- Dichtigkeit aller Ventile überprüfen.

## 7. BETRIEB

Gemäß Kapitel 2.1 ist der Betrieb der Entspannungsstation für Standardgase definiert.



### VORSICHT!

- Handventile müssen immer langsam und vorsichtig geöffnet werden, um Druckstöße im System zu vermeiden und andere Komponenten zu schützen.

## 8. WARTUNG

### 8.1. SICHERHEITSHINWEISE FÜR DIE WARTUNG



#### HINWEIS!

Wartungsarbeiten dürfen nur von qualifiziertem, geschultem und autorisiertem Personal durchgeführt werden. (siehe Kapitel 2.4).

## 8.2. WARTUNGSPLAN

In den nachstehenden Abschnitten sind die Wartungsarbeiten beschrieben, die für einen optimalen und störungsfreien Betrieb des Geräts erforderlich sind. Sofern bei regelmäßigen Kontrollen eine erhöhte Abnutzung zu erkennen ist, die erforderlichen Wartungsintervalle entsprechend den tatsächlichen Verschleißerscheinungen verkürzen.



### HINWEIS!

- Bei jeglichen Fragen bezüglich Wartungsarbeiten und Wartungsintervallen kontaktieren Sie den Kundenservice.

Intervall	Wartungsarbeit	Personal
Wöchentlich	Alle Komponenten visuell überprüfen	Befähigte Person (TRBS 1203)
Einmal jährlich	Betriebsprüfung auf Funktion und Dichtigkeit, Prüfung aller sicherheitsrelevanten Teile	Befähigte Person (TRBS 1203)
Alle 10 Jahre	Generalüberholung und Austausch aller Verschleißteile	Befähigte Person (TRBS 1203)

## 8.3. WARTUNGSARBEITEN

### 8.3.1. REINIGUNG



### HINWEIS!

- Reinigungsmittel müssen mit den Materialien, mit denen sie in Berührung kommen, verträglich sein.

### 8.3.2. VORAUSSETZUNG ZUR WARTUNG

*VOR BEGINN DER WARTUNG IST ZU PRÜFEN, DASS*

- Die Gasversorgung unterbrochen und sichergestellt ist.
- Die Entspannungsstation drucklos ist.
- Der Druckregler entspannt ist.
- Das Ventil geschlossen ist.
- Sich kein Prozessgas mehr im System befindet.
- Das System mit einem Inertgas freigespült wurde.

### 8.3.3. NOTWENDIGE WARTUNGSLEISTUNG

- Prüfung der Anzeigegenauigkeit des Anzeigewertes bei Druckanzeigen.
- Entspannungsstation, Druckregler, Ventile und Druckanzeigen: Zustand auf Funktion, Zustand und Kennzeichnung prüfen.
- Prüfung der Kennzeichnung.
- Prüfung auf Korrosion.
- Prüfung der Funktion.
- Dichtheitsprüfung mit 1-fachem Betriebsdruck über 12 Stunden ausführen.
- Verschlissene und defekte Bauteile sind sofort auszutauschen, mit diesen Arbeiten ist in jedem Fall ein autorisiertes Fachunternehmen zu beauftragen.
- Das Design der Ventile erfolgte gemäß ISO 10297. Darin enthalten ist ein Typtest, bei dem das Ventil einem Lebensdauertest von bis zu 2000 Zyklen unterzogen wurde. Nach 2000 Zyklen medienberührte Innenteile austauschen, mit diesen Arbeiten ist in jedem Fall ein autorisiertes Fachunternehmen zu beauftragen.
- Sollten Undichtigkeiten oder übermäßige Korrosion an Entspannungsstationen/ Druckregler oder Ventil festgestellt werden, so sind diese komplett zwischen der nächstmöglichen lösbaren Verbindung ebenfalls durch ein autorisiertes Fachunternehmen auszutauschen.
- Nach dem Wechsel von Komponenten oder Rohrleitungsbaugruppen sind erneut Drucktest auszuführen und zu protokollieren.

## 8.4. MASSNAHMEN NACH ERFOLGTER WARTUNG

NACH BEENDIGUNG DER WARTUNGSARBEITEN UND VOR NEUINBETRIEBNAHME DER ENTSPANNUNGSSTATION, DES DRUCKREGLER ODER DES VENTILS DIE FOLGENDEN SCHRITTE DURCHFÜHREN:

1. Sicherstellen, dass alle verwendeten Werkzeuge, Materialien und sonstige Ausrüstungen aus dem Arbeitsbereich entfernt wurden.
2. Arbeitsbereich säubern und eventuell ausgetretene Stoffe wie z. B. Flüssigkeiten, Verarbeitungsmaterial oder Ähnliches entfernen.
3. Sicherstellen, dass alle Sicherheitseinrichtungen des Systems einwandfrei funktionieren.

## 9. STÖRUNGEN

Im folgenden Kapitel sind mögliche Ursachen für Störungen und die Arbeiten zu ihrer Beseitigung beschrieben. Bei vermehrt auftretenden Störungen müssen die Wartungsintervalle entsprechend der tatsächlichen Belastung verkürzt werden. Bei Störungen, die durch die nachfolgenden Hinweise nicht zu beheben sind, den Hersteller kontaktieren.

### 9.1. SICHERHEITSHINWEISE FÜR DIE STÖRUNGSBEHEBUNG

Bei Störungen grundsätzlich die Gasversorgung unterbrechen, den Druckregler entspannen und Ventile schließen. Keinesfalls Wartungsarbeiten an Bauteilen unter Druck durchführen.

VERHALTEN BEI STÖRUNGEN:

1. Gasversorgung unterbrechen und sicherstellen.
2. Druckregler entspannen, Ventile schließen.
3. Nur qualifiziertes Personal darf Störungen beseitigen.
4. Ausgangszustand des Geräts wiederherstellen.

Beschreibung	Ursache	Lösung	Ventile	Flaschen- druckregler	Leitungs- druckregler	Entspannungs- stationen
Kein Durchfluss (Eingangsmanometer zeigt Druck an, Ausgangsmanometer nicht)	Druckregler geschlossen	Druckregler langsam öffnen Spülventil schließen		<input checked="" type="checkbox"/>	<input checked="" type="checkbox"/>	<input checked="" type="checkbox"/>
Kein Durchfluss (beide Manometer zeigen Null)	Flaschenventil geschlossen Brauchgasventil geschlossen Druckregler geschlossen Wendel/Schlauch nicht angegeschlossen	Inbetriebnahme gemäß Punkt 6. Installation und Erstinbetriebnahme		<input checked="" type="checkbox"/>	<input checked="" type="checkbox"/>	<input checked="" type="checkbox"/>
Kein Durchfluss	Druckregler geschlossen	Druckregler langsam öffnen	<input checked="" type="checkbox"/>			
Hinterdruckanstieg & Abblaseventil öffnet	Leckage im Druckreglersitz	Reparatur durch Hersteller		<input checked="" type="checkbox"/>	<input checked="" type="checkbox"/>	<input checked="" type="checkbox"/>



Beschreibung	Ursache	Lösung	Ventile	Flaschen- druckregler	Leitungs- druckregler	Entspannungs- stationen
Leichter Hinterdruckanstieg & Abblaseventil öffnet nicht	Vordruckabfall	Kein Fehler, normaler Betriebszustand		<input checked="" type="checkbox"/>	<input checked="" type="checkbox"/>	<input checked="" type="checkbox"/>
Leichter Hinterdruckanstieg	Unterschied zwischen Fließdruck (mit Durchfluss) und Staudruck (kein Durchfluss)	Kein Fehler, normaler Betriebszustand		<input checked="" type="checkbox"/>	<input checked="" type="checkbox"/>	<input checked="" type="checkbox"/>
Leichter Hinterdruckabfall	Unterschied zwischen Staudruck (kein Durchfluss) und Fließdruck (mit Durchfluss)	Kein Fehler, normaler Betriebszustand		<input checked="" type="checkbox"/>	<input checked="" type="checkbox"/>	<input checked="" type="checkbox"/>
Starker Hinterdruckabfall	Erforderlichen Durchfluss für Druckregler zu groß	Auswahl eines neuen Druckreglers für geforderten Druck & Durchfluss		<input checked="" type="checkbox"/>	<input checked="" type="checkbox"/>	<input checked="" type="checkbox"/>
Starker Hinterdruckabfall	Undichte Prozessgasleitung	Prozessgasleitung überprüfen		<input checked="" type="checkbox"/>	<input checked="" type="checkbox"/>	<input checked="" type="checkbox"/>
Ausgangsdruck zu hoch	Falsche Regler Einstellung	Druckregler Einstellung anpassen, nachregeln, Wartung		<input checked="" type="checkbox"/>	<input checked="" type="checkbox"/>	<input checked="" type="checkbox"/>
Hinterdruck steigt sofort bis Anschlag an oder Hinterdruck steigt langsam über den eingestellten Wert hinaus an & Abblaseventil bläst ab	Verschmutzung oder Beschädigung des Sitzes „Steiger“	Reparatur durch Hersteller		<input checked="" type="checkbox"/>	<input checked="" type="checkbox"/>	<input checked="" type="checkbox"/>
Geräusche während des Betriebes	Erforderlichen Durchfluss für Druckregler zu hoch	Auswahl eines neuen Druckreglers für geforderten Druck & Durchfluss		<input checked="" type="checkbox"/>	<input checked="" type="checkbox"/>	<input checked="" type="checkbox"/>

Beschreibung	Ursache	Lösung	Ventile	Flaschen- druckregler	Leitungs- druckregler	Entspannungs- stationen
Keine Veränderung der Ventilsteuerung trotz drehen des Handrades	Handrad defekt durch zu hohes Drehmoment, Spindel defekt, Gewinde defekt	Reparatur durch Hersteller	☑	☑	☑	☑
Feuchtigkeit auf Druckregler (KEIN Tau, Regen oder Schnee)	Druckregler entzieht der Umwelt Energie durch Gasentspannung	Kein Fehler Normaler Betriebszustand		☑	☑	☑
Eisbildung auf Druckregler (KEIN Tau, Regen oder Schnee)	Druckregler entzieht der Umwelt Energie durch Gasentspannung, limitierte Lieferleistung der Druckgasbehälter z. Bsp. bei N <sub>2</sub> O, CO <sub>2</sub>	Kein Fehler Normaler Betriebszustand <b>ACHTUNG:</b> auf Funktionalität der Kontaktmanometer achten, Anzahl der Druckgasbehälter erhöhen		☑	☑	☑

Diese Tabelle erhebt keinen Anspruch auf Vollständigkeit. Bei Fragen und Unklarheiten kontaktieren Sie bitte den Hersteller.

## 10. DEMONTAGE UND ENTSORGUNG

Nachdem das Gebrauchsende des Geräts erreicht ist, muss das Gerät demontiert und einer umweltgerechten Entsorgung zugeführt werden.

### 10.1. SICHERHEITSHINWEISE FÜR DIE DEMONTAGE UND ENTSORGUNG



#### WARNUNG!

- **Verletzungsgefahr bei unsachgemäßer Demontage!**
- Gespeicherte Restenergien, kantige Bauteile, Spitzen und Ecken am und im Gerät oder an den benötigten Werkzeugen können Verletzungen verursachen.
- Vor Beginn der Arbeiten für ausreichenden Platz sorgen.
- Mit offenen scharfkantigen Bauteilen vorsichtig umgehen.
- Auf Ordnung und Sauberkeit am Arbeitsplatz achten!
- Lose aufeinander- oder umherliegende Bauteile und Werkzeuge sind Unfallquellen.
- Bauteile fachgerecht demontieren. Teilweise hohes Eigengewicht der Bauteile beachten. Falls erforderlich, Hebezeuge einsetzen.
- Bauteile sichern, damit sie nicht herabfallen oder umstürzen.
- Bei Unklarheiten den Hersteller hinzuziehen.

## 10.2. DEMONTAGE

### VOR BEGINN DER DEMONTAGE

Druckregler zweite Druckstufe der Entspannungsstation durch Drehen des Handrades gegen den Uhrzeigersinn schließen.

Druckregler der Entspannungsstation entspannen und sicherstellen, dass sich kein Prozessgas mehr im Inneren der Entspannungsstation befindet.

System entspannen und wenn nötig mit einem Inert Gas spülen.

Hochdruckseite der Station über Spülgasventil entlasten.

Je nach Version Eigengas – oder Fremdgasspülung durchführen.

Betriebs- und Hilfsstoffe sowie restliche Verarbeitungsmaterialien entfernen und umweltgerecht entsorgen.

Anschließend Baugruppen und Bauteile fachgerecht reinigen und unter Beachtung geltender örtlicher Arbeitsschutz- und Umweltschutzvorschriften zerlegen. Arbeitsschutz- und Umweltschutzvorschriften zerlegen.

DE



### WARNUNG!

- **System nicht öffnen, wenn sich noch giftiges und/ oder korrosives Gas darin befindet!**

## 10.3. ENTSORGUNG

Sofern keine Rücknahme- oder Entsorgungsvereinbarung getroffen wurde, zerlegte Bestandteile der Wiederverwertung zuführen:

Metalle verschrotten.

Kunststoffelemente zum Recycling geben.

Übrige Komponenten nach Materialbeschaffenheit sortiert entsorgen.

Gemäß dem Artikel 33 der REACH-Verordnung verpflichtet sich die Gesellschaft GCE, s.r.o. als verantwortungsbewusster Hersteller, alle Kunden darüber zu informieren, wenn die Materialien 0,1% oder mehr der auf der Liste aufgeführten besonders besorgniserregenden Stoffe (SVHC) enthalten.

Die am häufigsten für Körper und andere Messingbauteile verwendeten Messinglegierungen enthalten 2-3% Blei (Pb), EG-Nr. 231-468-6, CAS-Nr. 7439-92-1. Bei normalem Gebrauch wird Blei nicht in das Gas oder in die Umwelt freigesetzt. Am Ende seiner Lebensdauer muss das Erzeugnis von einem zugelassenen Metallrecyclingunternehmen entsorgt werden, um eine wirksame Entsorgung des Materials bei minimalen Auswirkungen auf Umwelt und Gesundheit zu gewährleisten. Bis zum heutigen Tag liegen uns keine Informationen vor, die darauf hindeuten, dass Materialien mit SVHC Konzentrationen über 0,1% in GCE-Produkten enthalten sind.



### HINWEIS!

- **Gefahr für die Umwelt durch falsche Entsorgung!**
- Durch falsche Entsorgung können Gefahren für die Umwelt entstehen.
- Elektroschrott, Elektronikkomponenten, Schmier- und andere Hilfsstoffe von zugelassenen Fachbetrieben entsorgen lassen.
- Im Zweifel Auskunft zur umweltgerechten Entsorgung bei der örtlichen Kommunalbehörde oder speziellen Entsorgungsfachbetrieben einholen.

[www.linde.com](http://www.linde.com)

Diese Artikel wurden im Auftrag von Linde hergestellt.

# SOMMAIRE

<b>1. GÉNÉRALITÉS.....</b>	<b>56</b>
1.1. INFORMATIONS SUR CE MODE D'EMPLOI .....	56
1.2. INFORMATIONS SUR LE POSTE DE DÉTENTE .....	56
1.2.1. S300/S200/S60.....	57
1.2.2. S203 .....	57
1.3. EXPLICATION DES SYMBOLES.....	57
1.4. LIMITATION DE LA RESPONSABILITÉ.....	58
1.5. PROPRIÉTÉ INTELLECTUELLE .....	58
1.6. PIÈCES DE RECHANGE.....	59
1.7. CONDITIONS DE GARANTIE .....	59
1.8. SERVICE CLIENT.....	59
<b>2. SÉCURITÉ.....</b>	<b>59</b>
2.1. UTILISATION PRÉVUE.....	59
2.1.1. MODIFICATION STRUCTURELLE DES POSTES DE DÉTENTE.....	59
2.2. RISQUES FONDAMENTAUX.....	60
2.3. RESPONSABILITÉ DE L'EXPLOITANT .....	61
2.4. PERSONNEL.....	61
2.4.1. QUALIFICATIONS.....	61
2.4.2. PERSONNEL NON HABILITÉ .....	62
2.4.3. FORMATION .....	62
2.5. ÉQUIPEMENT DE PROTECTION INDIVIDUELLE.....	62
2.6. PROCÉDURE EN CAS D'INCENDIE ET D'ACCIDENTS .....	63
2.7. PROTECTION DE L'ENVIRONNEMENT .....	63
2.8. SIGNALISATION .....	64
2.8.1. SIGNAL D'OBLIGATION .....	64
2.8.2. SIGNAL D'INTERDICTION.....	64
2.8.3. SIGNAL D'AVERTISSEMENT.....	64
<b>3. CARACTÉRISTIQUES TECHNIQUES .....</b>	<b>65</b>
3.1. DIAGRAMME D'ÉCOULEMENT – S300/S200/S60.....	65
3.2. DIMENSIONS – S300/S200/S60.....	66
3.3. DIAGRAMME D'ÉCOULEMENT – S203 .....	67
3.4. DIMENSIONS – S203.....	68
3.5. INFORMATIONS GÉNÉRALES .....	69
3.6. VALEURS DE CONNEXION .....	69
3.7. VALEURS DE PERFORMANCE .....	69
3.8. CONDITIONS ENVIRONNEMENTALES D'UTILISATION .....	69
<b>4. STRUCTURE ET FONCTIONNEMENT .....</b>	<b>70</b>
4.1. STRUCTURE – S300/S200/S60.....	70
4.2. STRUCTURE – S203.....	70
4.3. COURTE DESCRIPTION .....	70
<b>5. TRANSPORT, EMBALLAGE ET STOCKAGE.....</b>	<b>71</b>
5.1. CONSIGNES DE SÉCURITÉ POUR LE TRANSPORT .....	71
5.2. CONTRÔLE DU TRANSPORT.....	71
5.3. EMBALLAGE.....	72
5.4. STOCKAGE .....	72
<b>6. INSTALLATION ET PREMIÈRE MISE EN SERVICE.....</b>	<b>72</b>
6.1. CONSIGNES DE SÉCURITÉ POUR L'INSTALLATION ET PREMIÈRE MISE EN SERVICE.....	72
6.2. PRÉPARATION .....	72
6.3. INSTALLATION.....	73
6.4. CONDITIONS PRÉALABLES À LA MISE EN SERVICE INITIALE.....	73
6.5. MISE EN SERVICE INITIALE .....	73
6.5.1. PURGE AU GAZ DE PROCÉDÉ (S300/S200/S60).....	74
6.5.2. PURGE AU GAZ ÉTRANGER (S203).....	74
6.5.3. REMPLISSAGE DE LA CONDUITE DE GAZ DE PROCÉDÉ AVEC DU GAZ DE PROCÉDÉ.....	74
6.5.4. CHANGEMENT DE BOUTEILLE.....	75
6.5.5. MISE HORS SERVICE DU DISPOSITIF.....	75
6.6. VÉRIFICATIONS.....	75

<b>7. OPERATION .....</b>	<b>75</b>
<b>8. ENTRETIEN .....</b>	<b>76</b>
8.1. CONSIGNES DE SÉCURITÉ POUR L'ENTRETIEN .....	76
8.2. PROGRAMME D'ENTRETIEN .....	76
8.3. TRAVAUX D'ENTRETIEN .....	76
8.3.1. NETTOYAGE .....	76
8.3.2. CONDITIONS PRÉALABLES À L'ENTRETIEN .....	76
8.3.3. PERFORMANCES D'ENTRETIEN NÉCESSAIRES .....	76
8.4. MESURES APRÈS LA RÉALISATION DE L'ENTRETIEN .....	77
<b>9. DYSFONCTIONNEMENTS .....</b>	<b>77</b>
9.1. INSTRUCTIONS DE SÉCURITÉ POUR LE DÉPANNAGE .....	77
<b>10. DÉMONTAGE ET MISE AU REBUT .....</b>	<b>80</b>
10.1. CONSIGNES DE SÉCURITÉ POUR LE DÉMONTAGE ET LA MISE AU REBUT .....	80
10.2. DÉMONTAGE .....	80
10.3. MISE AU REBUT .....	80

**FR**

# FRANÇAIS

## MODE D'EMPLOI: POSTE DE DÉTENTE

### 1. GÉNÉRALITÉS

#### 1.1. INFORMATIONS SUR CE MODE D'EMPLOI

Ces instructions s'appliquent aux postes de détente de type :

- S300
- S203
- S200
- S60

Les postes de détente sont utilisés pour retirer le gaz des conteneurs de gaz sous pression et pour relâcher la pression. Les postes de détente sont fixés de façon permanente au mur et reliés aux réservoirs de gaz sous pression par des câbles spiralés ou des tuyaux ondulés. Ce manuel permet une utilisation sûre et efficace du dispositif. Le manuel fait partie intégrante de l'appareil et doit être conservé à proximité immédiate de l'appareil et accessible au personnel à tout moment. Le personnel doit avoir lu attentivement et compris ces instructions avant de commencer toute opération. La condition de base pour travailler en toute sécurité est le respect de toutes les consignes de sécurité et les instructions de manipulation indiquées dans ce manuel. En outre, les règlements locaux de prévention des accidents et les règlements généraux de sécurité pour la zone d'utilisation de l'appareil s'appliquent. Les illustrations de ce manuel sont destinées à une compréhension de base et peuvent différer de la configuration réelle.

#### 1.2. INFORMATIONS SUR LE POSTE DE DÉTENTE

Les postes de détente de ce type ne peuvent être utilisés qu'avec les gaz définis comme gaz standard. La pression maximale de service de ce poste de détente est de 300 bar. Les postes de détente mono-étagés sont constitués de vannes et de régulateurs de pression à diaphragme métallique. Fabriqué et approuvé selon les normes ISO 7291 et 10297, y compris le test de combustion de l'oxygène.

Ligne de produits	(Pureté 6.0   Laiton chromé)	(Pureté 6.0   Acier inoxydable)
Avec siège de la soupape de décharge en caoutchouc synthétique fluorocarboné	<ul style="list-style-type: none"><li>• Gaz utilisables (y compris leurs mélanges):<ul style="list-style-type: none"><li>• Haute Pureté</li><li>• Inerte</li><li>• Inflammable</li><li>• Comburant</li><li>• O<sub>2</sub></li></ul></li><li>• Gaz NON utilisables (y compris leurs mélanges):<ul style="list-style-type: none"><li>• Corrosif</li><li>• Toxique</li><li>• CO<sub>2</sub>, N<sub>2</sub>O</li></ul></li></ul>	<ul style="list-style-type: none"><li>• Gaz utilisables (y compris leurs mélanges):<ul style="list-style-type: none"><li>• Haute Pureté</li><li>• Inerte</li><li>• Inflammable</li><li>• O<sub>2</sub> jusqu'à 200 bars</li><li>• Corrosif (Veuillez nous contacter si vous avez des questions)</li><li>• Toxique (Veuillez nous contacter si vous avez des questions)</li></ul></li><li>• Gaz NON utilisables (y compris leurs mélanges) :<ul style="list-style-type: none"><li>• O<sub>2</sub> au-dessus de 200 bar</li><li>• CO<sub>2</sub>, N<sub>2</sub>O</li><li>• NH<sub>3</sub>, SO<sub>2</sub>, H<sub>2</sub>S</li></ul></li></ul>

FR

Avec siège de la soupape de décharge en caoutchouc <b>EPDM</b>	<ul style="list-style-type: none"> <li>• Gaz utilisables (y compris leurs mélanges) : <ul style="list-style-type: none"> <li>• Haute Pureté</li> <li>• Inerte</li> <li>• Inflammable</li> <li>• Comburant</li> <li>• CO<sub>2</sub>, N<sub>2</sub>O</li> </ul> </li> <li>• Gaz NON utilisables (y compris leurs mélanges) : <ul style="list-style-type: none"> <li>• Corrosif</li> <li>• Toxique</li> <li>• O<sub>2</sub></li> </ul> </li> </ul> (proportion supérieure à 21 %) <ul style="list-style-type: none"> <li>• Hydrocarbures</li> </ul>	<ul style="list-style-type: none"> <li>• Gaz utilisables (y compris leurs mélanges) : <ul style="list-style-type: none"> <li>• Haute Pureté</li> <li>• Inerte</li> <li>• Inflammable</li> <li>• Comburant</li> <li>• Corrosif (Veuillez nous contacter si vous avez des questions)</li> <li>• Toxique (Veuillez nous contacter si vous avez des questions)</li> <li>• CO<sub>2</sub>, N<sub>2</sub>O</li> <li>• NH<sub>3</sub>, SO<sub>2</sub>, H<sub>2</sub>S</li> </ul> </li> <li>• Gaz NON utilisables (y compris leurs mélanges) : <ul style="list-style-type: none"> <li>• O<sub>2</sub></li> </ul> </li> </ul> (proportion supérieure à 21 %) <ul style="list-style-type: none"> <li>• Hydrocarbures</li> </ul>
----------------------------------------------------------------	---------------------------------------------------------------------------------------------------------------------------------------------------------------------------------------------------------------------------------------------------------------------------------------------------------------------------------------------------------------------------------------------------------------------------------------------------------------------------------------------------------------------------------------------------	-----------------------------------------------------------------------------------------------------------------------------------------------------------------------------------------------------------------------------------------------------------------------------------------------------------------------------------------------------------------------------------------------------------------------------------------------------------------------------------------------------------------------------------------------------------------------------------------------------------------------------------------------------------------------------------------------------------------------

Ce tableau ne prétend pas être exhaustif. Si vous avez des questions ou des incertitudes, veuillez contacter le fabricant.

### 1.2.1. S300/S200/S60

Ce poste de détente est disponible en version laiton chromé et acier inoxydable. Il comprend les composants suivants :

- Régulateur de pression avec manomètres d'entrée et de sortie
- Soupapes de purge pour le rinçage au gaz de procédé et vannes d'arrêt à 4 ports à l'entrée
- Soupape de décharge
- Panneau avant et socle

#### SUPPLÉMENT

- S : Soupape de sécurité à la sortie
- C : Clapets anti-retour aux entrées
- U : Soupape de sécurité à la sortie et clapets anti-retour aux entrées

### 1.2.2. S203

Ce poste de détente est disponible uniquement en version acier inoxydable. Elle comprend les composants suivants :

- Régulateur de pression avec manomètre de pression d'entrée et de sortie
- Deux vannes à 4 ports et une vanne 2 ports pour la purge au gaz inerte aux entrées
- Soupape de décharge
- Panneau avant et socle

#### SUPPLÉMENT

- S: Soupape de sécurité à la sortie

## 1.3. EXPLICATION DES SYMBOLES

### CONSIGNES DE SÉCURITÉ

Les consignes de sécurité sont signalées par des symboles dans ce manuel. Les consignes de sécurité sont introduites par des mots de signalisation exprimant l'ampleur du danger.



#### DANGER!

Cette combinaison de symbole et de mot de signalisation indique une situation dangereuse imminente qui, si elle n'est pas évitée, entraînera la mort ou des blessures graves.



#### AVERTISSEMENT !

Cette combinaison de symbole et de mot de signalisation indique une situation possiblement dangereuse qui, si elle n'est pas évitée, peut entraîner la mort ou des blessures graves.

**ATTENTION !**

Cette combinaison de symbole et de mot de signalisation indique une situation possiblement dangereuse qui, si elle n'est pas évitée, peut entraîner des blessures bénignes ou légères.

**REMARQUE !**

Cette combinaison de symbole et de mot de signalisation indique une situation potentiellement dangereuse qui, si elle n'est pas évitée, peut entraîner des dommages matériels et environnementaux.

**CONSEILS ET RECOMMANDATIONS**

Ce symbole met en évidence des conseils et des recommandations utiles ainsi que des informations pour un fonctionnement efficace et sans faille.

### REMARQUES SPÉCIALES

Les symboles suivants sont utilisés dans les consignes de sécurité pour attirer l'attention sur des dangers particuliers.

**DANGER!**

Cette combinaison de symbole et de mot de signalisation indique une situation dangereuse imminente due au courant électrique.

Le non-respect de cette indication peut entraîner des blessures graves ou mortelles.

## 1.4. LIMITATION DE LA RESPONSABILITÉ

Toutes les informations et remarques contenues dans ce manuel ont été compilées en tenant compte des normes et réglementations applicables, de l'état de la technique, de nos longues années de connaissances et d'expérience.

Le fabricant n'accepte aucune responsabilité pour les dommages dans les cas suivants :

- le non-respect de ces instructions
- en cas d'utilisation non conforme à l'usage prévu
- recours à du personnel non formé
- modifications techniques et structurelles de l'ouvrage non autorisées
- utilisation de pièces de rechange non approuvées
- fonctionnement de l'unité sous pression avec des dispositifs de sécurité défectueux ou des dispositifs de sécurité et de protection non montés ou ne fonctionnant pas correctement
- surveillance insuffisante des équipements, des pièces de fixation et d'étanchéité qui sont sujets à l'usure
- réparations mal exécutées
- plage de température spécifiée dans la fiche technique non respectée (trop haute ou trop basse) pendant le fonctionnement ou le stockage.
- catastrophes dues aux effets des corps étrangers et à la force majeure

Le contenu réel de la livraison peut différer des explications et illustrations présentées ici dans le cas de versions spéciales, du recours à des options de commande supplémentaires ou en raison des dernières modifications techniques. Les obligations convenues dans le contrat de livraison, les conditions générales ainsi que les conditions de livraison du fabricant et les dispositions légales en vigueur au moment de la conclusion du contrat sont applicables.

## 1.5. PROPRIÉTÉ INTELLECTUELLE

Le contenu de ce manuel est protégé par des droits d'auteur. Son utilisation est autorisée dans le cadre de l'utilisation du dispositif. Toute autre usage est interdit sauf autorisation écrite du fabricant.



## 1.6. PIÈCES DE RECHANGE



### AVERTISSEMENT !

- Risque de blessure dû à l'utilisation de pièces de rechange incorrectes !
- L'utilisation de pièces de rechange incorrectes ou défectueuses peut entraîner des risques pour le personnel, des dommages, des dysfonctionnements ou une panne totale.
- N'utilisez que des pièces de rechange originales du fabricant ou des pièces de rechange approuvées par le fabricant.
- En cas de doute, contactez toujours le fabricant.

FR



### PERTE DE GARANTIE !

- L'utilisation de pièces de rechange non approuvées annule la garantie du fabricant.

## 1.7. CONDITIONS DE GARANTIE

En principe, nos "Conditions générales de vente et de livraison" s'appliquent.

Ceux-ci sont à la disposition du client au plus tard à la conclusion du contrat.

## 1.8. SERVICE CLIENT

Nous sommes toujours intéressés par les informations et les expériences qui résultent de l'utilisation de nos produits et qui peuvent être précieuses pour les améliorer.

## 2. SÉCURITÉ

Cette section donne un aperçu de tous les aspects importants de la sécurité pour la protection des individus et pour un fonctionnement sûr et sans faille. Les sections relatives aux différentes phases de la vie du produit contiennent d'autres consignes de sécurité liées aux différentes tâches.

### 2.1. UTILISATION PRÉVUE

Les postes de détente ne doivent être utilisés que pour les gaz et les pressions spécifiés tout en maintenant les températures spécifiées. Le débit volumique nominal est de 20 m<sup>3</sup>/h (air comprimé). L'utilisation conforme comprend également le respect de toutes les informations et remarques de ce mode d'emploi et le respect des travaux de vérification et d'entretien, ainsi que le respect de la plaque signalétique et des fiches techniques. Toute utilisation au-delà de l'usage prévu ou toute autre utilisation est considérée comme une utilisation non conforme.



### AVERTISSEMENT !

- **Danger en cas d'utilisation non conforme !**
- L'utilisation incorrecte des postes de détente peut conduire à des situations dangereuses.
- N'utilisez jamais les postes de détente pour les liquides.
- Ne connectez jamais des sources avec des pressions d'entrée supérieures à celles prévues pour le panneau de contrôle de pression correspondant.

#### 2.1.1. MODIFICATION STRUCTURELLE DES POSTES DE DÉTENTE

N'apportez pas de modifications, d'ajouts ou de transformations aux postes de détente sans l'autorisation écrite du fabricant.

Les postes de détente qui ne sont pas en parfait état doivent être remplacés immédiatement

Nettoyage des appareils à gaz et élimination des résidus

Les postes de détente usagés en attente de réparation doivent être purgés avec un gaz inerte (azote).

Génération de bruit

Dans certains cas, l'interaction défavorable de certaines variables d'influence, comme le débit et la plage de pression, mais aussi le type de gaz lui-même, peut entraîner la génération de bruit. Si un tel cas se présente, veuillez contacter le fabricant.

## 2.2. RISQUES FONDAMENTAUX

La section suivante énumère les risques résiduels qui peuvent être liés à l'appareil même s'il est utilisé comme prévu. Pour réduire les risques de dommages corporels et matériels et éviter les situations dangereuses, il convient de respecter les consignes de sécurité énumérées ici et les consignes de sécurité des autres sections de ce mode d'emploi.



### DANGER !

- **Les gaz peuvent représenter un danger mortel !**
- Les gaz peuvent déplacer l'air et donc l'oxygène qu'il contient. Cela peut conduire à la mort par suffocation. L'oxygène forme une atmosphère hautement oxydante. Les gaz inflammables peuvent former une atmosphère explosive.

#### PAR CONSÉQUENT :

- Assurez une ventilation suffisante !
- Installation uniquement par une entreprise spécialisée certifiée !
- Respectez les directives ATEX



### ATTENTION !

- **Des dangers peuvent provenir de l'environnement !**  
La condensation et/ou le givre peuvent provoquer des défauts dans l'appareil.

#### PAR CONSÉQUENT :

- Respectez les plages de température !
- Protégez l'appareil contre les liquides provenant de l'extérieur !
- Protégez l'appareil contre la poussière provenant de l'extérieur !
- Installez l'appareil à l'abri des intempéries !
- Fixez correctement la mise à la terre disponible !



### AVERTISSEMENT !

- **Risque d'accident lors de l'utilisation d'huile et de graisse !**  
Les huiles et les graisses ne doivent jamais être utilisées dans les systèmes de contrôle de la pression. Les huiles et les graisses sont hautement inflammables. Les huiles et les graisses sont hautement inflammables et réagissent violemment avec certains gaz comprimés .

#### PAR CONSÉQUENT :

- Évitez d'utiliser de l'huile ou de la graisse !



### AVERTISSEMENT !

- **Risque d'accident dû à l'énergie stockée dans le système !**  
Une manipulation incorrecte peut entraîner le déplacement incontrôlé de pièces sous pression ou de pièces isolées de celles-ci et provoquer des blessures graves, voire mortelles.  
Une manipulation incorrecte peut entraîner une fuite de gaz des parties sous pression et provoquer des blessures graves, voire mortelles.

#### AVANT DE COMMENCER TOUTE ACTIVITÉ AVEC DES PIÈCES SOUS PRESSION :

- Installation uniquement par une entreprise spécialisée certifiée !
- Portez des lunettes de protection !
- Portez des protections auditives !
- Assurez-vous que le système n'est pas sous pression !
- Veillez à ce que le système ne stocke plus d'énergie !
- Veillez à ce que du gaz ne puisse pas s'échapper involontairement !
- Veillez à ce que les pièces défectueuses soient immédiatement remplacées par du personnel qualifié !



### AVERTISSEMENT !

- **Risque d'accident !**  
Une installation incorrecte peut entraîner des blessures graves, voire mortelles.

#### PAR CONSÉQUENT :

- Empêchez les dispositifs de tomber pendant l'installation !
  - Ne projetez pas l'équipement !
- Les pièces sous pression ne doivent être utilisées que pour l'usage prévu.

En cas de dommage mécanique sur la tuyauterie et les raccords, le système doit être mis dans un état sécurisé (bloquer la section concernée).

Les défauts susceptibles d'affecter la sécurité doivent être corrigés immédiatement par du personnel formé et qualifié ou par le fabricant.

Les gaz, en particulier, risquent de provoquer un défaut dans le régulateur de pression de la conduite. Cela se manifeste soit par l'absence de débit de gaz en aval du régulateur de pression, soit par une augmentation soudaine de la contre-pression. Si le régulateur de pression est défectueux, le système doit être mis hors service immédiatement. L'entreprise responsable de l'entretien doit être informée. Ne fermez jamais les conduites de purge.

## 2.3. RESPONSABILITÉ DE L'EXPLOITANT

### EXPLOITANT

L'exploitant est la personne qui exploite elle-même l'appareil à des fins commerciales ou économiques ou le met à la disposition d'un tiers pour utilisation/application et assume la responsabilité légale du produit pour la protection de l'utilisateur, du personnel ou des tiers pendant l'exploitation.

### OBBLIGATIONS DE L'EXPLOITANT

L'appareil est utilisé dans le secteur commercial. L'exploitant de l'unité est donc soumis aux obligations légales en matière de sécurité du travail.

Outre les consignes de sécurité figurant dans ce mode d'emploi, il convient de respecter les règles de sécurité, de prévention des accidents et de protection de l'environnement applicables au domaine d'utilisation de l'appareil.

### LES DISPOSITIONS SUIVANTES S'APPLIQUENT EN PARTICULIER :

- L'exploitant doit s'informer sur les dispositions applicables en matière de santé et de sécurité au travail déterminer en outre, dans le cadre d'une évaluation des risques, les dangers qui résultent des conditions de travail spécifiques au lieu d'utilisation de l'appareil. Il doit les mettre en œuvre sous la forme d'un mode d'emploi pour l'exploitation de l'appareil.
- Pendant toute la durée d'utilisation de l'appareil, l'exploitant doit vérifier si les instructions d'utilisation qu'il a rédigées correspondent à l'état actuel de la réglementation et, si nécessaire, les adapter.
- L'exploitant doit réglementer et définir clairement les responsabilités en matière d'installation, d'exploitation, de dépannage, de maintenance et de nettoyage.
- L'exploitant doit s'assurer que toutes les personnes manipulant l'appareil ont lu et compris ces instructions. En outre, il doit former le personnel à intervalles réguliers et l'informer des dangers.
- L'exploitant doit fournir au personnel l'équipement de protection requis et donner des instructions contraignantes pour le port de l'équipement de protection requis.

En outre, l'exploitant est responsable de s'assurer que la fiabilité technique totale du système est garantie à tout moment.

### PAR CONSÉQUENT, LES CONDITIONS SUIVANTES S'APPLIQUENT :

- L'exploitant doit s'assurer du respect des intervalles d'entretien spécifiés dans ces instructions.
- L'exploitant doit s'assurer que tous les dispositifs de sécurité sont régulièrement vérifiés pour leur fiabilité fonctionnelle et leur exhaustivité.

## 2.4. PERSONNEL

### 2.4.1. QUALIFICATIONS

Les différentes tâches décrites dans ce manuel posent des exigences différentes quant aux qualifications des personnes chargées de ces tâches.



#### AVERTISSEMENT !

- **Danger en cas de qualification insuffisante du personnel !**
- Les personnes insuffisamment qualifiées ne peuvent pas évaluer les risques lors de la manipulation de l'appareil et s'exposent, ainsi que les autres, à des risques de blessures graves ou mortelles.
- Toutes les opérations doivent être effectuées par du personnel qualifié uniquement !
- Tenez les personnes insuffisamment qualifiées à l'écart de la zone de travail !

Seules les personnes dont on peut attendre qu'elles effectuent ces opérations de manière fiable sont autorisées à effectuer toutes les opérations. Les personnes dont la capacité de réaction est influencée, par exemple par des drogues, de l'alcool ou des médicaments, ne sont pas autorisées.

Dans ce mode d'emploi, les qualifications des personnes énumérées ci-dessous sont indiquées pour les différentes tâches :

#### INGÉNIEUR GAZ

Dispose d'une formation spécialisée, de compétences, d'une expérience et d'une connaissance des normes et directives pertinentes pour effectuer des tâches sur les systèmes de contrôle de la pression et identifier les risques potentiels. Les ingénieurs gaz sont spécialement formés en fonction du site de production concerné et de ses normes et directives spécifiques.

#### TECHNICIEN

Dispose d'une formation spécialisée, de compétences et d'une expérience des normes et directives pertinentes pour effectuer des tâches sur les systèmes de contrôle de la pression et identifier les risques potentiels.

### 2.4.2. PERSONNEL NON HABILITÉ



#### AVERTISSEMENT !

- **Danger de mort pour les personnes non habilitées en raison des risques dans la zone de danger et de travail !**
- Les personnes non habilitées qui ne répondent pas aux exigences décrites ici ne sont pas conscientes des dangers présents dans la zone de travail. C'est pourquoi les personnes non habilitées courent le risque de se blesser gravement, voire de mourir.
- Tenez les personnes non habilitées à l'écart de la zone de danger et de travail !
- En cas de doute, abordez ces personnes et éloignez-les de la zone de danger et de travail !
- Arrêtez les activités tant que des personnes non habilitées se trouvent dans la zone de danger et de travail !

### 2.4.3. FORMATION

L'exploitant doit régulièrement former le personnel. Pour un meilleur suivi, il faut établir un protocole d'instruction dont le contenu minimal est le suivant :

- Date de la formation
- Nom de la formation
- Contenu de la formation
- Nom du formateur
- Signatures des participants et du formateur

## 2.5. ÉQUIPEMENT DE PROTECTION INDIVIDUELLE

Les équipements de protection individuelle servent à protéger les personnes contre les atteintes à leur sécurité et à leur santé au travail.

Le personnel doit porter des équipements de protection individuelle pendant les différentes opérations sur et avec l'appareil, qui sont mentionnées séparément dans les différentes sections de ce mode d'emploi.

#### APPAREIL RESPIRATOIRE



Protection contre les gaz, vapeurs, poussières et substances nocives similaires. Il convient d'utiliser un équipement de protection respiratoire tel qu'un appareil respiratoire à air comprimé si une teneur en oxygène de plus de 17 % dans l'air ambiant ne peut être garantie et/ou si un dépassement des limites admissibles de substances nocives dans l'air ambiant ne peut être exclu. Les appareils respiratoires autonomes ne peuvent être portés que par des agents spécialement formés.

#### APPAREIL RESPIRATOIRE AUTONOME



Protection contre les gaz, vapeurs, poussières et substances nocives similaires. Les appareils respiratoires autonomes doivent être utilisés s'il ne peut être exclu que les limites admissibles de substances nocives dans l'air ambiant soient dépassées. Les appareils respiratoires ne peuvent être utilisés qu'avec une teneur en oxygène garantie dans l'air respiré supérieure à 17 %.



### LUNETTES DE PROTECTION

Protection contre les projections de particules et les gouttes.



### GANTS RÉSISTANTS AUX PRODUITS CHIMIQUES

Protection des mains contre les substances agressives. Il faut veiller à ce que les gants soient bien hermétiques. Jetez les gants conformément à la réglementation en vigueur après leur utilisation.



### GANTS DE PROTECTION

Protection des mains contre les agressions mécaniques et les surfaces chaudes et froides.



### PORT DE PROTECTIONS AUDITIVES

Protège l'audition des bruits trop forts et prévient les traumatismes auditifs.

FR

## 2.6. PROCÉDURE EN CAS D'INCENDIE ET D'ACCIDENTS

### MESURES PRÉVENTIVES

- Soyez toujours prêt à faire face aux incendies et aux accidents !
- Conservez le matériel de premiers secours (trousse de premiers soins, couvertures, etc.) et le matériel de lutte contre l'incendie en état de marche et à portée de main.
- Sensibilisez le personnel à la notification des accidents, aux premiers secours et aux équipements de secours.
- Maintenez les voies d'accès dégagées pour les véhicules d'urgence.

### MESURES EN CAS DE DÉPART DE FEU ET D'ACCIDENT

- S'il n'y a pas de danger pour votre propre santé, secourez les personnes dans la zone de danger.
- Si nécessaire, appliquez les premiers soins.
- Alertez les pompiers et/ou les services de secours.
- En cas d'incendie : S'il n'y a pas de danger pour votre propre santé, combattez le feu avec des équipements de lutte contre l'incendie et continuez à combattre le feu jusqu'à l'arrivée des pompiers.
- Informez la personne responsable du site d'exploitation.
- Dégagez les voies d'accès pour les véhicules d'urgence.
- Informez les services de secours.

## 2.7. PROTECTION DE L'ENVIRONNEMENT



### REMARQUE !

- ***Danger pour l'environnement dû à une manipulation incorrecte de substances dangereuses pour l'environnement !***
- La manipulation non conforme des substances dangereuses pour l'environnement, en particulier leur mise au rebut incorrecte, peut causer des dommages considérables à l'environnement.
- Respectez toujours les instructions ci-dessous concernant la manipulation et la mise au rebut des substances dangereuses pour l'environnement !
- Si des substances dangereuses pour l'environnement sont accidentellement libérées dans l'environnement, prenez immédiatement les mesures appropriées.

En cas de doute, informez les autorités locales compétentes du dommage et demandez que les mesures appropriées soient prises !

## 2.8. SIGNALISATION



### AVERTISSEMENT !

- ***Danger en cas de signalisation illisible !***
- Au fil du temps, les autocollants et les panneaux peuvent se salir ou devenir méconnaissables, de sorte que les dangers ne peuvent être reconnus et que les consignes d'utilisation nécessaires ne peuvent être suivies.
- Cela engendre un risque de blessure.
- Conservez en permanence toutes les consignes de sécurité, de mise en garde et d'utilisation dans un état lisible.
- Remplacez immédiatement les panneaux ou les autocollants endommagés.

FR

### 2.8.1. SIGNAL D'OBLIGATION

- pas de signal

### 2.8.2. SIGNAL D'INTERDICTION

- pas de signal

### 2.8.3. SIGNAL D'AVERTISSEMENT



*MISE EN GARDE CONTRE LES  
RISQUES LIÉS AUX BOUTEILLES  
DE GAZ*



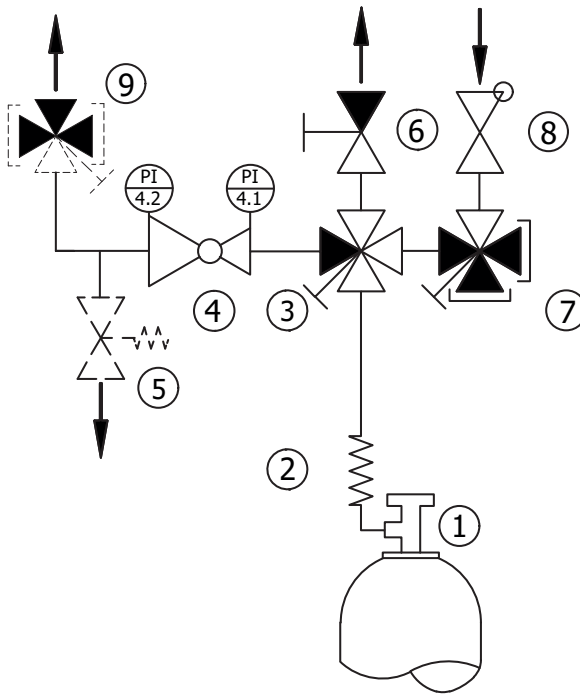
*MISE EN GARDE CONTRE UNE  
ATMOSPHÈRE EXPLOSIVE*



*MISE EN GARDE CONTRE LES  
SUBSTANCES TOXIQUES ET/OU  
CORROSIVES*

### 3. CARACTÉRISTIQUES TECHNIQUES

#### 3.1. DIAGRAMME D'ÉCOULEMENT – S300/S200/S60



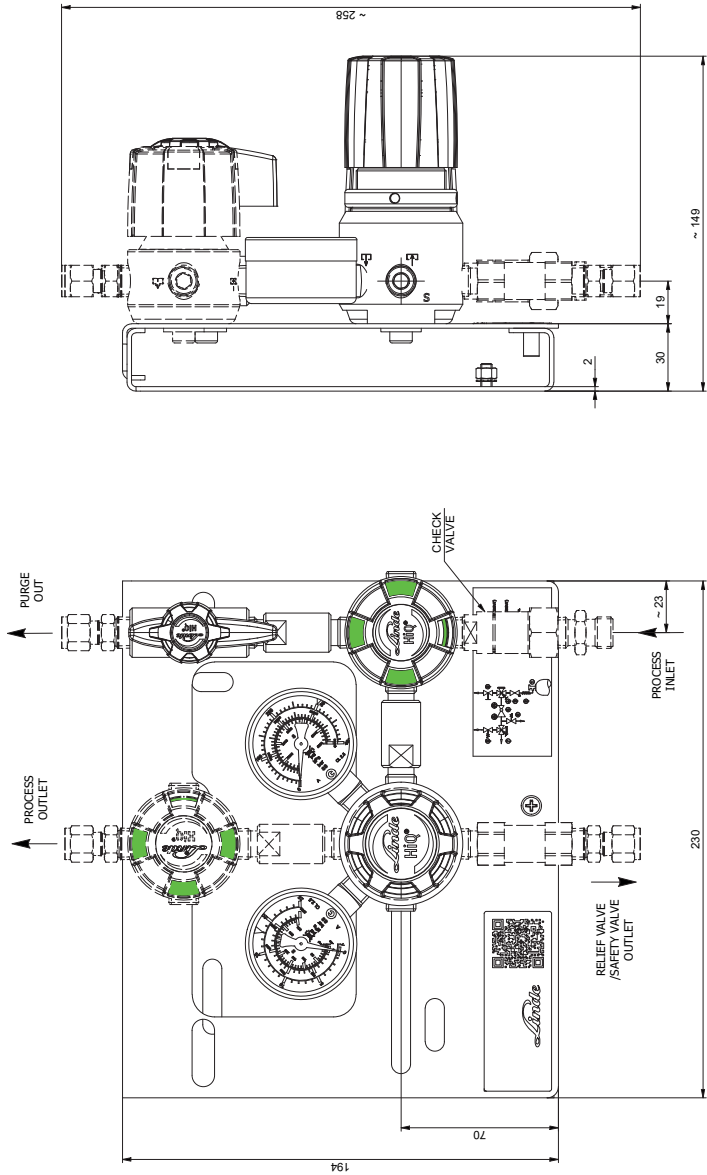
FR

- 1 – BOUTEILLE DE GAZ
- 2 – BOBINE
- 3 – VANNE D'ARRÊT (3XIN, 1XOUT)
- 4 – RÉGULATEUR DE PRESSION AVEC MANOMÈTRE IN/OUT
- 5 – SOUPAPE DE DÉCHARGE / SOUPAPE DE SÉCURITÉ, (OPT.)
- 6 – VANNE DE SORTIE DE PURGE
- 7 – VANNE D'ENTRÉE DE PURGEV (1XIN, 3XOUT)
- 8 – CLAPET ANTI-RETOUR
- 9 – VANNE D'ARRÊT (1XIN, 3XOUT); (OPT.)

Options indiquées en pointillés

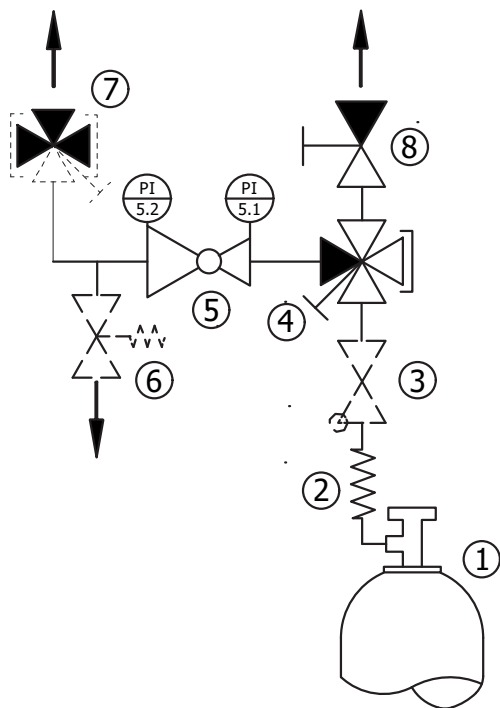
### 3.2. DIMENSIONS – S300/S200/S60

FR





### 3.3. DIAGRAMME D'ÉCOULEMENT – S203



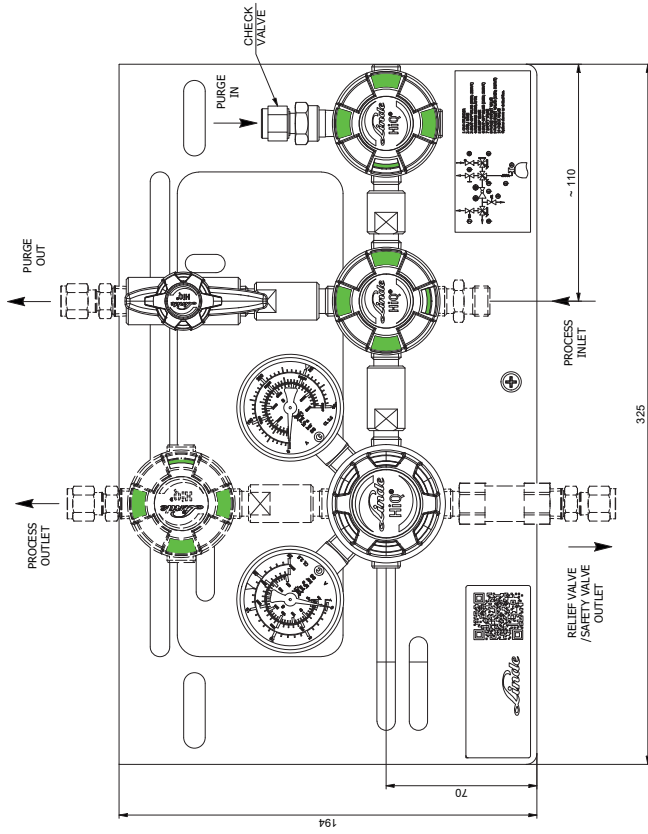
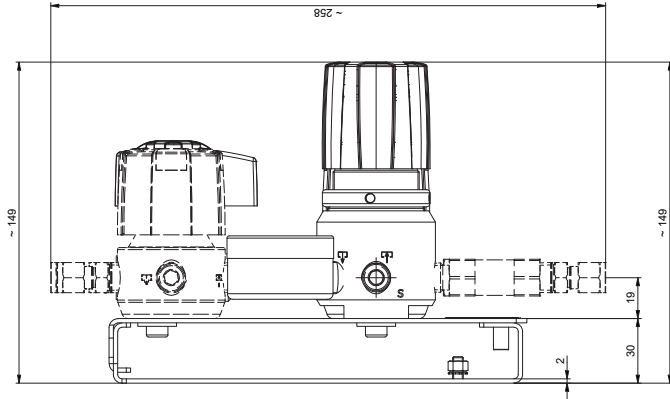
FR

- 1 – BOUTEILLE DE GAZ
- 2 – BOBINE
- 3 – CLAPET ANTI-RETOUR (OPT.)
- 4 – VANNE D'ARRÊT (3XIN, 1XOUT)
- 5 – RÉGULATEUR DE PRESSION AVEC MANOMÈTRE IN/OUT
- 6 – SOUPAPE DE DÉCHARGE / SOUPAPE DE SÉCURITÉ, (OPT.)
- 7 – VANNE D'ARRÊT (1XIN, 3XOUT), (OPT.)
- 8 – VANNE DE SORTIE DE PURGE

Options indiquées en pointillés

### 3.4. DIMENSIONS – S203

FR



### 3.5. INFORMATIONS GÉNÉRALES

Donnée	S300/S200/S60-BC	S300/S200/S60-SS
Poids max. [kg]	5,25	8,57
Longueur [mm]	230	230
Largeur [mm]	150	150
Hauteur [mm]	194	194

Donnée	S203-SS
Poids max. [kg]	6,97
Longueur [mm]	325
Largeur [mm]	150
Hauteur [mm]	194

FR

### 3.6. VALEURS DE CONNEXION

Donnée	Valeur	Unité
Entrée	NPT 1/4" femelle différents adaptateurs disponible	métrique pouces
Sortie	1/8", 1/4", 3/8", 1/2" 3, 6, 8, 10, 12	Bague de serrage en pouces Bague de serrage en mm
Soupape de décharge / soupape de purge si disponible	1/4", 3/8", 1/2" 6, 8, 10, 12	Bague de serrage en pouces Bague de serrage en mm
Soupape de sécurité	NPT 1/2" femelle	en pouces

### 3.7. VALEURS DE PERFORMANCE

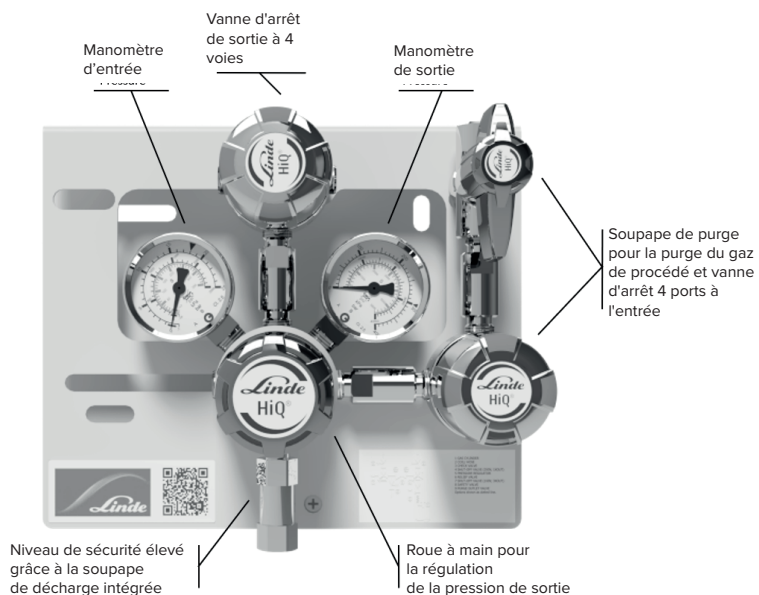
Donnée	Valeur	Unité
Débit nominal	20 (air comprimé)	m <sup>3</sup> /h
Pression d'alimentation (max.)	S300: 300 S203: 200 S200: 200 S60: 60	bar
Pression de sortie (max.)	200	bar

### 3.8. CONDITIONS ENVIRONNEMENTALES D'UTILISATION

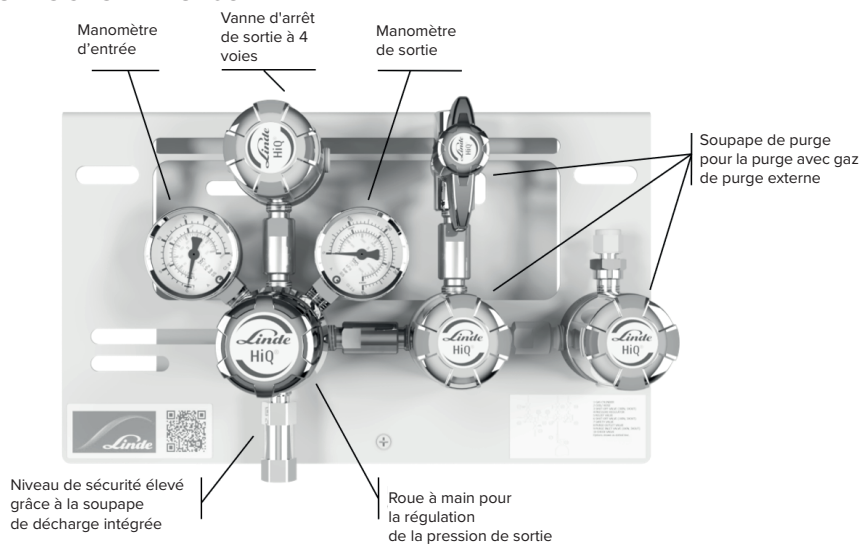
Donnée	Valeur	Unité
Plage de température	-20 à +60	°C
Humidité relative (max)	98	%

## 4. STRUCTURE ET FONCTIONNEMENT

### 4.1. STRUCTURE – S300/S200/S60



### 4.2. STRUCTURE – S203



### 4.3. COURTE DESCRIPTION

Les postes de détente de type **S300/S200/S60-BC...** en laiton chromé sont utilisés pour décharger un gaz ou un mélange de gaz industriel, non toxique et non corrosif stocké dans un conteneur de gaz sous pression/un faisceau de conteneurs de gaz sous pression en surpression, d'une pression maximale allant jusqu'à 300 bar à une pression adaptée à la tuyauterie (3 bar, 6 bar, 10 bar, 14 bar, 28 bar, 50 bar, 100 bar, 200 bar).

Les postes de détente de type **S300/S200/S60/S203-SS...** en acier inoxydable décompressent également les gaz ou mélanges de gaz toxiques et corrosifs stockés dans un conteneur de gaz sous pression/un faisceau de conteneurs de gaz sous pression en surpression d'une pression maximale de 300 bar à une pression adaptée à la tuyauterie (3 bar, 6 bar, 10 bar, 14 bar, 28 bar, 50 bar, 100 bar, 200 bar).

Une soupape de décharge dans le réducteur de pression de la station protège la plage de pression en aval contre une augmentation inadmissible de la pression due à une fuite dans le siège du réducteur de pression. À cela peuvent s'ajouter une soupape de sécurité et/ou un clapet anti-retour.

La pression réelle en amont et en aval du réducteur de pression du poste est indiquée par des manomètres à tube de Bourdon. Il est possible d'utiliser des manomètres à contact dans les plages de pression amont et aval du réducteur de pression.

Si le poste dispose d'un système de purge au gaz de procédé, les zones à haute pression du poste peuvent être purgées de toute impureté avant sa mise en service. De plus, ce système permet de soulager les zones de haute pression de la station avant de changer de bouteille.

Si le poste est équipé d'une purge au gaz étranger (S203), les zones haute pression du poste peuvent être purgées avec un gaz de purge inerte avant la mise en service afin de garantir un changement de bouteille et/ou un entretien en toute sécurité. La version avec purge au gaz étranger n'est possible que dans la version en acier inoxydable du poste de détente.

Tous les systèmes décrits ci-dessus sont montés sur un support commun en acier inoxydable. Grâce aux dimensions suffisamment grandes de cette console, tous les composants isolés du poste sont suffisamment protégés contre les dommages involontaires pendant le transport dans l'emballage et à l'état assemblé. La conception en deux parties du support permet une fixation simple et légère. Une ouverture dans le panneau avant de la console permet de remplacer les manomètres sans démonter la console du poste et le démontage associé du système d'alimentation. Un trou est prévu sur le socle de chaque côté du poste pour fixer les tuyaux de raccordement des bouteilles au moyen de mousquetons. Le poste peut être relié à la liaison équipotentielle locale par une vis montée à cet effet sur le socle de la console.

Le développement, la fabrication et les tests de production des systèmes susmentionnés ont été réalisés en conformité avec les normes suivantes, entre autres :

- Réducteurs de pression - ISO 7291
- Vannes- ISO 10297
- Manomètres EN 837-1
- Protection mécanique contre l'explosion de la station complète- ISO 80079-36; IEC 60079-32-1; TRGS 727

## 5. TRANSPORT, EMBALLAGE ET STOCKAGE



### CONSEILS ET RECOMMANDATIONS !

- L'installation et la mise en service initiale doivent idéalement être effectuées par les employés du fabricant ou par des personnes autorisées par le fabricant.
- Néanmoins, il peut arriver que les opérateurs ou le personnel de maintenance de l'exploitant soient chargés de la manipulation des colis au cours de l'installation et de l'utilisation ultérieure. Il est donc essentiel de suivre les instructions données ci-dessous.

### 5.1. CONSIGNES DE SÉCURITÉ POUR LE TRANSPORT



#### REMARQUE !

- ***Dommages matériels dus à un transport non conforme !***
- En cas de transport non conforme, les pièces transportées peuvent tomber ou se renverser. Cela peut causer des dommages considérables aux biens.
- Lors du déchargement des pièces transportées au moment de la livraison ainsi que pendant le transport en interne, soyez vigilants et respectez les symboles et les instructions figurant sur l'emballage.
- Utilisez uniquement les points de fixation prévus.
- Ne retirez l'emballage que peu de temps avant le montage.

## 5.2. CONTRÔLE DU TRANSPORT

Vérifiez immédiatement après réception que la livraison est complète et qu'elle ne présente pas de dommages dus au transport.

*EN CAS DE DOMMAGES DUS AU TRANSPORT VISIBLES DE L'EXTÉRIEUR, PROCÉDEZ AINSI :*

- Refusez la livraison ou ne l'acceptez qu'avec des réserves.
- Notez l'étendue des dommages sur les documents de transport ou sur le bon de livraison du transporteur.
- Déposez une réclamation.



### CONSEILS ET RECOMMANDATIONS !

- Signalez tout défaut dès qu'il est détecté. Les demandes de dommages et intérêts ne peuvent être effectuées que pendant la période de garantie.

## 5.3. EMBALLAGE

Les différents colis sont emballés en fonction des conditions de transport prévues. Seuls des matériaux respectueux de l'environnement ont été utilisés pour l'emballage.

L'emballage est destiné à protéger les différents composants contre les dommages liés au transport, la corrosion et autres dommages jusqu'au montage. Par conséquent, ne détruisez pas l'emballage et ne le retirez que peu de temps avant le montage.



### REMARQUE !

- ***Danger pour l'environnement en cas de mise au rebut incorrecte !***
- Les matériaux d'emballage sont des matières premières précieuses et peuvent, dans de nombreux cas, être réutilisés ou traités et recyclés de manière judicieuse.
- La mise au rebut incorrecte des matériaux d'emballage peut être dangereuse pour l'environnement.
- Mettez au rebut les matériaux d'emballage d'une manière respectueuse de l'environnement.
- Respectez les règles de mise au rebut applicables localement. Si nécessaire, faites appel à une entreprise spécialisée pour la mise au rebut

## 5.4. STOCKAGE

Stockez les colis dans les conditions suivantes :

- Ne pas entreposer à l'extérieur.
- Stockez-les dans un endroit sec et à l'abri de la poussière.
- Ne les exposez pas à des milieux agressifs.
- Protégez-les de la lumière du soleil.
- Évitez les chocs mécaniques.
- Température de stockage : 15 à 35 °C.
- Humidité relative : max. 60 %.
- En cas de stockage de plus de 3 mois, vérifiez régulièrement l'état général de toutes les pièces et de l'emballage. Si nécessaire, retirez ou renouvelez le conservateur.



### CONSEILS ET RECOMMANDATIONS !

- Il peut y avoir des instructions de stockage sur les emballages qui vont au-delà des exigences mentionnées ici. Respectez ces règles.

## 6. INSTALLATION ET PREMIÈRE MISE EN SERVICE

### 6.1. CONSIGNES DE SÉCURITÉ POUR L'INSTALLATION ET PREMIÈRE MISE EN SERVICE

#### PERSONNEL

L'installation et la première mise en service ne doivent être effectuées que par du personnel qualifié.

## 6.2. PRÉPARATION

### DÉBALLAGE

- Les composants doivent être déballés avec soin et prudence.
- Retirez également les matériaux d'emballage supplémentaires.
- Inspectez tous les composants pour détecter tout dommage lié au transport.

### DÉCHARGE

- Relâchez la pression de gaz dans tous les systèmes existants, purgez avec du gaz inerte si nécessaire.
- Coupez les tubes avec des outils spéciaux, en évitant la formation de copeaux pendant le processus
- Assurez-vous que les pièces de connexion sont en parfait état et propres

## 6.3. INSTALLATION

L'installation et la première mise en service ne doivent être effectuées que par du personnel qualifié.

Le socle du poste de détente se fixe à une hauteur de 164 cm.

Le panneau avant et le poste de détente se fixent au socle et à la partie centrale inférieure à l'aide de la vis fournie.

Le socle doit être mis à la terre à l'aide de la vis fournie.

Le poste de détente est généralement monté avec des raccords à compression sur la sortie du gaz de procédé, la soupape de purge, les entrées du gaz de purge et la sortie du gaz de purge.

S'il y a lieu, connectez également la soupape de sécurité et/ou le clapet anti-retour.

Retirez d'abord les couvercles des connexions.

Le montage s'effectue en insérant complètement le tuyau dans le raccord. Vissez ensuite l'écrou-raccord à la main et serrez-le à l'aide d'une clé à fourche (1 ¼ de tour) (première installation : 1 1/4 de tour pour les tuyaux de plus de 1/8 pouce et 3/4 de tour pour les tuyaux de 1/8 pouce ou moins, réinstallation : 1/4 de tour pour tous les tuyaux).

La conduite de décharge est connectée à la soupape de décharge de la même manière. Les conduites d'échappement et de purge ne doivent PAS être reliées entre elles et doivent être dirigées en toute sécurité vers l'air libre ; ceci s'applique également au raccordement de la conduite à la soupape de sécurité, si elle est présente.

Des connexions spirales standardisées et des tuyaux ondulés (accessoires disponibles) servent à raccorder les bouteilles de gaz au poste de détente.

Le câble spiralé/le tuyau ondulé sont toujours fournis séparément. Vérifiez que le câble ou le tuyau est correctement raccordé. Le numéro de raccordement de la bouteille est gravé sur l'écrou de raccord d'entrée. Il n'existe qu'une seule version des câbles spiralés/tuyaux ondulés. Ils peuvent être raccordés aux côtés gauche et droit du poste de détente.

Pour monter le câble/le tuyau de raccordement sur le poste de détente, retirez d'abord les capuchons en plastique du filetage de raccordement du câble/du tuyau et du poste de détente. Veuillez vous assurer que le joint plat fourni avec le câble/le tuyau est inséré dans l'écrou-raccord.

Vissez ensuite l'écrou-raccord sur le filetage de raccordement à l'entrée du poste de détente d'abord à la main, puis serrez-le avec une clé à fourche. Lors de l'utilisation d'un tuyau de raccordement, vous pouvez accrocher la corde de sécurité avec le mousqueton dans le socle, en bas.

Pour raccorder le câble spiralé/le tuyau ondulé à la bouteille de gaz, le filetage du robinet de la bouteille et l'écrou-raccord doivent être en parfait état.

Utilisez un nouveau joint à chaque fois que vous rebranchez. Seuls les câbles et les tuyaux de raccordement du fabricant correspondant au type de gaz utilisés peuvent être employés.

Vérifiez que les joints plats sont correctement placés dans le tube de raccordement du câble spiralé ou du tuyau. Ne pas utiliser de rallonge de clé lors du serrage, sinon le filetage et le joint seront détruits. Cela peut entraîner des fuites.

## 6.4. CONDITIONS PRÉALABLES À LA MISE EN SERVICE INITIALE

- Les rapports d'essai des systèmes de tuyauterie concernant l'étanchéité et, si nécessaire, l'humidité et les particules, sont disponibles.
- Les conduites de gaz de procédé, les conduites de décharge et la conduite de purge, ainsi que les conduites vers les soupapes de sécurité et/ou les clapets anti-retour, le cas échéant, sont connectées.
- Il n'y a que du gaz standard dans la conduite de gaz de procédé. (voir point 1.2)
- La mise en service ne doit être effectuée que par du personnel qualifié et formé.
- Les vêtements de protection doivent être portés conformément à la réglementation.
- Il faut utiliser un outil spécial anti-étincelles et le mettre à disposition avant la mise en service.
- Avant d'utiliser la bouteille pour la première fois, vérifier sur la plaque signalétique que le poste de détente est adapté à l'utilisation prévue (gaz, pression, matériau, etc.).

## 6.5. MISE EN SERVICE INITIALE

- Toutes les conditions préalables sont remplies conformément au point 6.4.
- Le régulateur de pression du deuxième niveau de pression est relâché (fermé)
- Toutes les vannes du poste de détente sont fermées



### AVERTISSEMENT!

- Il est essentiel de s'assurer que le poste de détente n'est pas pressurisé au-delà de la pression de fonctionnement autorisée.
- Avant la mise en service, assurez-vous que personne ne peut être mis en danger par le fonctionnement de l'équipement sous pression.

### 6.5.1. PURGE AU GAZ DE PROCÉDÉ (S300/S200/S60)

Les postes de détente avec purge au gaz de procédé S300/S200/S60 sont utilisés pour éliminer l'air atmosphérique qui a pénétré dans le système pendant le changement de bouteille et pour relâcher la pression sur le câble spiralé ou le tuyau de raccordement pour le changement de bouteille. Assurez-vous qu'une conduite de décharge est connectée.

1. La vanne de rinçage du gaz de process est fermée, le garrot est perpendiculaire au sens de l'écoulement (vanne à 2 orifices)
2. Le régulateur de pression est relâché (fermé).
3. Fermer la vanne d'arrêt d'entrée, le repère rouge est visible (vanne à 4 ports).
4. Maintenant, la vanne d'arrêt d'entrée n'est fermée que dans la direction du réducteur de pression. La voie vers la soupape de purge des gaz de procédé est libre.
5. Ouvrez lentement le robinet de la bouteille de gaz.
6. Le gaz de procédé s'écoule dans le câble spiralé/tuyau ondulé.
7. Refermez le robinet de la bouteille de gaz.
8. Ouvrez brièvement la vanne de purge au gaz de procédé et laissez la quantité de gaz maintenant contenue dans le câble/le tuyau de raccordement s'échapper par la conduite de gaz de purge.
9. Ensuite, refermez immédiatement la soupape de purge au gaz de procédé.

*RÉPÉTEZ LES ÉTAPES 4 À 9. AU MOINS 10 FOIS*

### 6.5.2. PURGE AU GAZ ÉTRANGER (S203)

Les postes de détente S203 avec purge au gaz étranger sont utilisés pour éliminer les gaz toxiques et/ou corrosifs avant de changer de bouteille et pour relâcher la pression sur le câble spiralé ou le tuyau de raccordement pour le changement de bouteille. Assurez-vous qu'une conduite de purge est connectée.

1. Vérifiez que l'entrée de gaz de purge, la sortie de gaz de purge, les entrées de gaz de procédé, la conduite de décharge et, le cas échéant, la soupape de sécurité sont correctement raccordées.
2. Fermez toutes les vannes, les marquages rouges doivent être visibles (4 ports).
3. Fermez le réducteur de pression en tournant la roue à main dans le sens inverse des aiguilles d'une montre.
4. Ouvrez la soupape de purge d'entrée.
5. Refermez le robinet de purge de gaz de procédé d'entrée. Laissez le gaz injecté dans le composant pendant quelques secondes.
6. Ouvrez brièvement la soupape de purge de sortie et laissez le gaz de purge s'échapper.
7. Refermez la soupape de purge de gaz de procédé de sortie.

*RÉPÉTEZ LES ÉTAPES 4 À 7 AU MOINS DIX FOIS POUR UN RÉSULTAT DE PURGE PARFAIT*



### 6.5.3. REMPLISSAGE DE LA CONDUITE DE GAZ DE PROCÉDÉ AVEC DU GAZ DE PROCÉDÉ

Avant de mettre en service et de remplir le système de conduites en aval, effectuez une purge au gaz de procédé (voir point 6.5.1) ou une purge au gaz étranger ( voir point 6.5.2) en fonction du poste de détente. Pour des raisons de sécurité, nous recommandons d'installer une conduite de décharge dans tous les cas.

1. Vérifiez si le câble/le tuyau de raccordement, les conduites de purge, de procédé, de sécurité et de décharge sont correctement connectés.
2. Fermez toutes les vannes du poste de détente, le marquage rouge doit être visible (4 ports).
3. Tournez la roue à main du régulateur de pression dans le sens inverse des aiguilles d'une montre jusqu'à la butée, le passage est maintenant fermé.
4. Ouvrez lentement le robinet de la bouteille de gaz
5. Ouvrez L E N T E M E N T la vanne d'arrêt d'entrée
6. Le poste de détente est maintenant en service.
7. Il est recommandé de contrôler quotidiennement le poste de détente et de vérifier les pressions.

*NOUS VOUS RECOMMANDONS DE VÉRIFIER QUOTIDIENNEMENT LE COLLECTEUR ET LES MANOMÈTRES*

### 6.5.4. CHANGEMENT DE BOUTEILLE



#### REMARQUE!

- Respectez les valeurs VLEP (voir Règles techniques pour les substances dangereuses, TRGS 900).
1. Fermez le robinet de la bouteille
  2. Fermez la vanne d'arrêt d'entrée sur le côté de la bouteille de gaz vide
  3. Ouvrez la soupape de purge de sortie/d'entrée pour relâcher la pression dans le câble ou le tuyau de raccordement.
  4. S300/S200/S60: Effectuez la purge du gaz (voir point 6.5.1)  
S203 : Effectuez la purge de gaz étranger (voir point 6.5.2)
  5. Fermez la vanne d'arrêt d'entrée sur le côté de la bouteille vide
  6. Détachez le câble / le tuyau de raccordement du robinet de la bouteille de gaz vide
  7. Lorsque vous connectez une nouvelle bouteille de gaz de service, utilisez TOUJOURS un nouveau joint plat

*AVANT LA REMISE EN SERVICE :*

8. S300/S200/S60: Effectuez la purge du gaz (voir 6.5.1)  
S203 : Effectuez la purge de gaz étranger (voir 6.5.2)
9. Remplissez le câble/le tuyau de raccordement de gaz de procédé.

### 6.5.5. MISE HORS SERVICE DU DISPOSITIF

Fermez le poste de détente en tournant la roue à main du régulateur de pression dans le sens inverse des aiguilles d'une montre.

La fermeture du régulateur de pression ne garantit pas l'étanchéité, des fuites de gaz peuvent se produire à travers les tuyaux ou les récepteurs connectés.

Fermez la vanne d'arrêt du gaz de service.

Pour des raisons de sécurité, fermez toujours le robinet de la bouteille.

*LORS DU DÉMONTAGE COMPLET DU POSTE DE DÉTENTE, IL FAUT RESPECTER LES POINTS SUIVANTS :*



#### DANGER!

- Dépressurisez le régulateur de pression et les conduites en évacuant le gaz par le récepteur. Les aiguilles des manomètres amont et aval doivent être complètement à « 0 »
- Si nécessaire, effectuez une purge au gaz de procédé ou au gaz étranger.
- Prenez les mesures de protection individuelle appropriées.
- Respectez les valeurs VLEP.
- Il est essentiel de s'assurer que le poste de détente n'est pas pressurisé au-delà de la pression de fonctionnement autorisée.
- Avant la mise en service, assurez-vous que personne ne peut être mis en danger par la mise en service de l'équipement sous pression.

## 6.6. VÉRIFICATIONS

- Après la pressurisation, vérifiez le fonctionnement du régulateur de pression.
- Vérifiez l'étanchéité de la soupape de décharge. La soupape doit être étanche aux bulles.
- Vérifiez l'étanchéité de toutes les vannes. Les vannes doivent être étanches aux bulles.

## 7. OPERATION

Selon le chapitre 2.1, le fonctionnement du poste de détente est défini pour les gaz standard.

FR



### ATTENTION !

- Les vannes manuelles doivent toujours être ouvertes lentement et avec précaution pour éviter les coups de bélier dans le système et pour protéger les autres composants.

## 8. ENTRETIEN

### 8.1. CONSIGNES DE SÉCURITÉ POUR L'ENTRETIEN



#### REMARQUE !

- Les travaux d'entretien ne doivent être effectués que par du personnel qualifié, formé et autorisé. (voir chapitre 2.4).

### 8.2. PROGRAMME D'ENTRETIEN

Les sections suivantes décrivent les tâches de maintenance requises pour un fonctionnement optimal et sans problème de l'unité.

Si les inspections régulières révèlent une usure accrue, réduisez les intervalles d'entretien requis en fonction des signes réels d'usure.



#### REMARQUE !

- Pour toute question concernant l'entretien et les intervalles d'entretien, contactez le service client.

Intervalle	Travaux d'entretien	Personnel
Hebdomadaire	Vérifier visuellement tous les composants	Personnel compétent (TRBS 1203)
Une fois par an	Test de fonctionnement et d'étanchéité, test de toutes les pièces importantes pour la sécurité	Personnel compétent (TRBS 1203)
Tous les 10 ans	Révision générale et remplacement de toutes les pièces usées	Personnel compétent (TRBS 1203)

### 8.3. TRAVAUX D'ENTRETIEN

#### 8.3.1. NETTOYAGE



#### REMARQUE !

- Les produits de nettoyage doivent être compatibles avec les matériaux avec lesquels ils entrent en contact.

### 8.3.2. CONDITIONS PRÉALABLES À L'ENTRETIEN

*AVANT LE DÉBUT DE L'ENTRETIEN, VÉRIFIEZ QUE*

- L'alimentation en gaz est interrompue et sécurisée.
- Le poste de détente est dépressurisé.
- Le régulateur de pression est dépressurisé.
- La vanne est fermée.
- Il n'y a plus de gaz de procédé dans le système.
- Le système a été purgé avec un gaz inerte.

### 8.3.3. PERFORMANCES D'ENTRETIEN NÉCESSAIRES

- Vérification de la précision de la valeur affichée pour les manomètres de pression.
- Poste de détente, régulateur de pression, valves et indicateurs de pression : Vérifiez le fonctionnement, l'état et l'étiquetage.
- Vérification de l'étiquetage.
- Vérification de la corrosion.
- Vérification du fonctionnement.
- Effectuez un test d'étanchéité avec une pression de service multipliée par 1 pendant 12 heures.
- Les composants usés et défectueux doivent être remplacés immédiatement ; ces travaux doivent toujours être effectués par une entreprise spécialisée autorisée.
- Les vannes ont été conçues conformément à la norme ISO 10297. Il s'agit notamment d'un essai de type au cours duquel la vanne a été soumise à un essai de durée de vie allant jusqu'à 2 000 cycles. Après 2 000 cycles, remplacez les pièces internes qui entrent en contact avec le fluide ; ce travail doit toujours être effectué par une entreprise spécialisée autorisée.
- Si des fuites ou une corrosion excessive sont constatées au niveau des postes de détente/régulateurs de pression ou des vannes, ceux-ci et leurs raccords doivent également être remplacés complètement par une entreprise spécialisée autorisée.
- Après le changement de composants ou d'ensembles de tuyauterie, les tests de pression doivent être effectués à nouveau et enregistrés.

### 8.4. MESURES APRÈS LA RÉALISATION DE L'ENTRETIEN

*APRÈS AVOIR TERMINÉ LES TRAVAUX D'ENTRETIEN ET AVANT DE REMETTRE EN MARCHÉ LE PANNEAU DE CONTRÔLE DE LA PRESSION, LE RÉGULATEUR DE PRESSION OU LA VANNE, EFFECTUEZ LES ÉTAPES SUIVANTES :*

1. Assurez-vous que tous les outils, matériaux et autres équipements utilisés ont été retirés de la zone de travail.
2. Nettoyez la zone de travail et enlevez toute matière déversée telle que les liquides, les matériaux de traitement ou autres.
3. Assurez-vous que tous les dispositifs de sécurité du système fonctionnent correctement.

## 9. DYSFONCTIONNEMENTS

Le chapitre suivant décrit les causes possibles des dysfonctionnements et les travaux à effectuer pour les éliminer. Si les pannes sont plus fréquentes, les intervalles d'entretien doivent être raccourcis en fonction de la charge réelle. En cas de dysfonctionnements qui ne peuvent être corrigés par les instructions suivantes, contactez le fabricant.

### 9.1. INSTRUCTIONS DE SÉCURITÉ POUR LE DÉPANNAGE

En cas de dysfonctionnement, il faut toujours couper l'alimentation en gaz, décharger le régulateur de pression et fermer les vannes. N'effectuez jamais de travaux d'entretien sur des composants sous pression.

*PROCÉDURE EN CAS DE PERTURBATIONS :*

1. Débranchez et sécurisez l'alimentation en gaz.
2. Relâchez le régulateur de pression, fermez les valves.
3. Seul un membre du personnel qualifié peut éliminer les pannes.
4. Rétablissez l'état initial de l'unité.

Description	Cause	Solution	Vanne	Régulateur de pression bouteille	Régulateur de pression de conduite	Postes de détente
Pas de débit (le manomètre d'entrée indique la pression, mais pas le manomètre de sortie)	Régulateur de pression fermé	Ouvrir lentement le régulateur de pression Fermer la vanne de purge		<input checked="" type="checkbox"/>	<input checked="" type="checkbox"/>	<input checked="" type="checkbox"/>
Pas de débit (les deux manomètres affichent zéro)	Robinet de la bouteille fermée Vanne de gaz de service fermée Régulateur de pression fermé Lyre/flexible-non connecté	Mise en service selon le point 6. Installation et première mise en service		<input checked="" type="checkbox"/>	<input checked="" type="checkbox"/>	<input checked="" type="checkbox"/>
Pas de débit	Régulateur de pression fermé	Ouvrir lentement le régulateur de pression	<input checked="" type="checkbox"/>			
Augmentation de la contre-pression et soupape de décharge ouverte	Fuite dans le siège du régulateur de pression	Réparation par le fabricant		<input checked="" type="checkbox"/>	<input checked="" type="checkbox"/>	<input checked="" type="checkbox"/>
Légère augmentation de la contre-pression et la soupape de décharge ne s'ouvre pas	Baisse la pression amont	Pas d'erreur, état de fonctionnement normal		<input checked="" type="checkbox"/>	<input checked="" type="checkbox"/>	<input checked="" type="checkbox"/>
Légère augmentation de la contre-pression	Différence entre la pression dynamique (avec débit) et la pression statique (sans débit)	Pas d'erreur, état de fonctionnement normal		<input checked="" type="checkbox"/>	<input checked="" type="checkbox"/>	<input checked="" type="checkbox"/>
Légère baisse de contre-pression	Différence entre la pression dynamique (avec débit) et la pression statique (sans débit)	Pas d'erreur, état de fonctionnement normal		<input checked="" type="checkbox"/>	<input checked="" type="checkbox"/>	<input checked="" type="checkbox"/>

Description	Cause	Solution	Vanne	Régulateur de pression bouteille	Régulateur de pression de conduite	Postes de détente
Forte baisse de contre-pression	Débit requis pour le régulateur de pression trop élevé	Sélection d'un nouveau régulateur de pression pour la pression et le débit requis		<input checked="" type="checkbox"/>	<input checked="" type="checkbox"/>	<input checked="" type="checkbox"/>
Forte baisse de contre-pression	Fuite de la conduite de gaz de procédé	Vérifier la conduite de gaz de procédé		<input checked="" type="checkbox"/>	<input checked="" type="checkbox"/>	<input checked="" type="checkbox"/>
Pression de sortie trop élevée	Réglage incorrect du régulateur	Réglage du régulateur de pression, réajustement, entretien		<input checked="" type="checkbox"/>	<input checked="" type="checkbox"/>	<input checked="" type="checkbox"/>
La contre-pression augmente immédiatement jusqu'à la butée ou la contre-pression augmente lentement au-dessus de la valeur de consigne et la soupape de décharge se déclenche	Saleté ou dommage du siège du détendeur	Réparation par le fabricant		<input checked="" type="checkbox"/>	<input checked="" type="checkbox"/>	<input checked="" type="checkbox"/>
Bruits pendant le fonctionnement	Débit requis pour le régulateur de pression trop élevé	Sélection d'un nouveau régulateur de pression pour la pression et le débit requis		<input checked="" type="checkbox"/>	<input checked="" type="checkbox"/>	<input checked="" type="checkbox"/>
Pas de changement malgré la rotation du volant de détente	Volant de détente défectueux en raison d'un couple excessif, vis défectueuse, filetage défectueux	Réparation par le fabricant	<input checked="" type="checkbox"/>	<input checked="" type="checkbox"/>	<input checked="" type="checkbox"/>	<input checked="" type="checkbox"/>
Humidité sur le régulateur de pression (PAS de rosée, pluie ou neige)	Le régulateur de pression extrait l'énergie de l'environnement par l'expansion du gaz	Pas d'erreur, état de fonctionnement normal		<input checked="" type="checkbox"/>	<input checked="" type="checkbox"/>	<input checked="" type="checkbox"/>

FR

Description	Cause	Solution	Vanne	Régulateur de pression bouteille	Régulateur de pression de conduite	Postes de détente
Glace sur le régulateur de pression (PAS de rosée, pluie ou neige)	Le régulateur de pression retire de l'énergie de l'environnement par l'expansion du gaz, capacité de livraison limitée des conteneurs de gaz sous pression, p. ex. avec N <sub>2</sub> O, CO <sub>2</sub>	Pas d'erreur, état de fonctionnement normal <b>ATTENTION :</b> faites attention à la fonctionnalité des manomètres de contact, augmentez le nombre de conteneurs de gaz sous pression		☑	☑	☑

Ce tableau ne prétend pas être exhaustif. Si vous avez des questions ou des incertitudes, veuillez contacter le fabricant.

## 10. DÉMONTAGE ET MISE AU REBUT

Au terme de l'utilisation de l'appareil, celui-ci doit être démonté et mis au rebut dans le respect de l'environnement.

### 10.1. CONSIGNES DE SÉCURITÉ POUR LE DÉMONTAGE ET LA MISE AU REBUT



#### AVERTISSEMENT !

- **Risque de blessure en cas de démontage incorrect !**
- L'énergie résiduelle stockée, les composants angulaires, les points et les coins sur et dans l'appareil ou sur les outils nécessaires peuvent causer des blessures.
- Assurez-vous que l'espace est suffisant avant de commencer le travail.
- Manipulez avec précaution les composants ouverts à arêtes vives.
- Veillez à l'ordre et à la propreté sur le lieu de travail !
- Les composants détachés et les outils qui se retrouvent les uns sur les autres ou autour des autres sont des sources d'accidents.
- Démontez les composants correctement. Notez le poids propre relativement élevé des composants. Utilisez un engin de levage si nécessaire.
- Fixez les composants de manière à ce qu'ils ne tombent pas ou ne se renversent pas.
- En cas de doute, consultez toujours le fabricant.

### 10.2. DÉMONTAGE

#### AVANT DE COMMENCER LE DÉMONTAGE

Fermez le régulateur de pression du deuxième niveau de pression du poste de détente en tournant la roue à main dans le sens inverse des aiguilles d'une montre.

Dépressurisez le régulateur de pression du poste de détente et assurez-vous qu'il n'y a plus de gaz de procédé à l'intérieur.

Dépressurisez le système et, si nécessaire, rincez-le avec un gaz inerte.

Déchargez le côté haute pression de la station par la soupape de gaz de purge.

Selon la version, effectuer une purge au gaz de procédé ou au gaz étranger.

Enlevez les matériaux d'exploitation et auxiliaires ainsi que les matériaux de traitement résiduels et mettez-les au rebut de manière écologique.

Nettoyez ensuite correctement les ensembles et les composants et démontez-les en respectant les réglementations locales applicables en matière de santé et de sécurité au travail et de protection de l'environnement.



## AVERTISSEMENT !

- ***N'ouvrez pas le système s'il contient encore des gaz toxiques et/ou corrosifs !***

### 10.3. MISE AU REBUT

Sauf si un accord de reprise ou de mise au rebut a été conclu, les composants démontés doivent être recyclés :

Mettez les métaux au rebut.

Mettez les éléments en plastique à recycler.

Éliminez les composants restants en les triant selon l'état des matériaux.

Conformément à l'article 33 du règlement REACH, GCE, s.r.o., en tant que fabricant responsable, s'engage à informer tous ses clients si les matériaux contiennent 0,1 % ou plus des matières figurant sur la liste des substances extrêmement préoccupantes (SVHC).

Les alliages de laiton les plus couramment utilisés pour les corps et autres composants en laiton contiennent 2 à 3 % de plomb (Pb), n° CE 231-468-6, n° CAS 7439-92-1. Dans des conditions normales d'utilisation, le plomb n'est pas libéré dans le gaz ou dans l'environnement. À la fin de sa vie, le produit doit être éliminé par une entreprise agréée de recyclage des métaux afin de garantir une mise au rebut efficace du matériau avec un impact minimal sur l'environnement et la santé.

À ce jour, nous ne disposons d'aucune information indiquant que des matériaux présentant des concentrations de SVHC supérieures à 0,1 % sont contenus dans les produits GCE.



#### REMARQUE !

- ***Danger pour l'environnement en cas de mise au rebut incorrecte !***
- La mise au rebut incorrecte des matériaux peut être dangereuse pour l'environnement.
- Faites éliminer les déchets électriques, les composants électroniques, les lubrifiants et autres matériaux auxiliaires par des entreprises spécialisées agréées.
- En cas de doute, renseignez-vous sur les méthodes de mise au rebut respectueuses de l'environnement auprès des autorités municipales locales ou des entreprises de gestion des déchets spéciaux.

FR

[www.linde.com](http://www.linde.com)

Ces articles ont été réalisés pour le compte de Linde.

# TARTALOM

<b>1. ÁLTALÁNOS</b> .....	<b>84</b>
1.1. INFORMÁCIÓK A JELEN ÚTMUTATÓHOZ .....	84
1.2. A TEHERMENTESÍTŐ ÁLLOMÁSSAL KAPCSOLATOS INFORMÁCIÓK .....	84
1.2.1. S300/S200/S60 .....	85
1.2.2. S203 .....	85
1.3. SZIMBÓLUMOK MAGYARÁZATA .....	85
1.4. A FELELŐSSÉG KORLÁTOZÁSA .....	86
1.5. SZERZŐI JOGI VÉDELEM .....	86
1.6. PÓTALKATRÉSZEK .....	87
1.7. JÓTÁLLÁSI FELTÉTELEK .....	87
1.8. VEVŐSZOLGÁLAT .....	87
<b>2. BIZTONSÁG</b> .....	<b>87</b>
2.1. RENDELTETTÉSSZERŰ HASZNÁLAT .....	87
2.1.1. A TEHERMENTESÍTŐ ÁLLOMÁS SZERKEZETI MÓDOSÍTÁSAI .....	87
2.2. ALAPVETŐ VESZÉLYEK .....	88
2.3. AZ ÜZEMELTETŐ FELELŐSSÉG .....	89
2.4. A SZEMÉLYZETRE VONATKOZÓ KÖVETELMÉNYEK .....	90
2.4.1. KÉPZETTSÉGEK .....	90
2.4.2. ILLETÉKTELEN SZEMÉLYEK .....	90
2.4.3. KIOKTATÁS .....	90
2.5. EGYÉNI VÉDŐFELSZERELÉS .....	90
2.6. VISELKEDÉS TŰZ ESETÉN ÉS BALESETNÉL .....	91
2.7. KÖRNYEZETVÉDELEM .....	92
2.8. TÁBLÁK .....	92
2.8.1. UTASÍTÓ JELZÉS .....	92
2.8.2. TILTÓ JELZÉS .....	92
2.8.3. FIGYELMEZTETŐ JELZÉS .....	92
<b>3. MŰSZAKI ADATOK</b> .....	<b>93</b>
3.1. FOLYAMATÁBRA – S300/S200/S60 .....	93
3.2. MÉRETLAP – S300/S200/S60 .....	94
3.3. FOLYAMATÁBRA – S203 .....	95
3.4. MÉRETLAP – S203 .....	96
3.5. ÁLTALÁNOS ADATOK .....	97
3.7. CSATLAKOZTATÁSI ÉRTÉKEK .....	97
3.8. TELJESÍTMÉNYADATOK .....	97
3.9. ÜZEMELTETÉSI FELTÉTELEK - KÖRNYEZET .....	97
<b>4. FELÉPÍTÉS ÉS MŰKÖDÉS</b> .....	<b>98</b>
4.1. FELÉPÍTÉS – S300/S200/S60 .....	98
4.2. FELÉPÍTÉS – S203 .....	98
4.3. RÖVID LEÍRÁS .....	98
<b>5. SZÁLLÍTÁS, CSOMAGOLÁS ÉS TÁROLÁS</b> .....	<b>99</b>
5.1. BIZTONSÁGI UTASÍTÁSOK A SZÁLLÍTÁSHOZ .....	99
5.2. SZÁLLÍTÁSI ELLENŐRZÉS .....	99
5.3. CSOMAGOLÁS .....	100
5.4. TÁROLÁS .....	100
<b>6. TELEPÍTÉS ÉS ELSŐ ÜZEMBE HELYEZÉS</b> .....	<b>100</b>
6.1. BIZTONSÁGI UTASÍTÁSOK A TELEPÍTÉSHEZ ÉS AZ ELSŐ ÜZEMBE HELYEZÉSHEZ .....	100
6.2. ELŐKÉSZÜLETEK .....	100
6.3. TELEPÍTÉS .....	101
6.4. AZ ELSŐ ÜZEMBE HELYEZÉS ELŐFELTÉTELE .....	101
6.5. ELSŐ ÜZEMBE HELYEZÉS .....	101
6.5.1. TERMÉKGÁZ-ÖBLÍTÉS (S300/S200/S60) .....	102
6.5.2. IDEGENGÁZ-ÖBLÍTÉS (S203) .....	102
6.5.3. A TERMÉKGÁZ-VEZETÉK FELTÖLTÉSE TERMÉKGÁZZAL .....	102
6.5.4. A PALACK CSERÉJE .....	103
6.5.5. A BERENDZÉS ÜZEMEN KÍVÜL HELYEZÉSE .....	103
6.6. ELLENŐRZÉSEK .....	103



<b>7. ÜZEMELTETÉS.....</b>	<b>103</b>
<b>8. KARBANTARTÁS .....</b>	<b>104</b>
8.1. BIZTONSÁGI UTASÍTÁSOK A KARBANTARTÁSHOZ .....	104
8.2. KARBANTARTÁSI TERV.....	104
8.3. KARBANTARTÁSI MUNKÁK .....	104
8.3.1. TISZTÍTÁS .....	104
8.3.2. A KARBANTARTÁS ELŐFELTÉTELE .....	104
8.3.3. SZÜKSÉGES KARBANTARTÁSI MUNKA .....	104
8.4. INTÉZKEDÉSEK A KARBANTARTÁS BEFEJEZÉSE UTÁN .....	105
<b>9. ZAVAROK.....</b>	<b>105</b>
9.1. BIZTONSÁGI UTASÍTÁSOK A ZAVARELHÁRÍTÁSHOZ.....	105
<b>10. SZÉTSZERELÉS ÉS ÁRTALMATLANÍTÁS.....</b>	<b>108</b>
10.1. BIZTONSÁGI UTASÍTÁSOK A SZÉTSZERELÉSHEZ ÉS ÁRTALMATLANÍTÁSHOZ .....	108
10.2. SZÉTSZERELÉS.....	108
10.3. ÁRTALMATLANÍTÁS.....	108

**HU**

## 1. ÁLTALÁNOS

### 1.1. INFORMÁCIÓK A JELEN ÚTMUTATÓHOZ

A jelen útmutató a következő típusú tehermentesítő állomásokra vonatkozik:

- S300
- S203
- S200
- S60

Ezek a tehermentesítő állomások a nyomás alatt lévő gáztartályokból történő gázvételezésre

és nyomásmentesítésre szolgálnak. A tehermentesítő állomások tartósan a falhoz vannak rögzítve, és spirális csövekkel vagy hullámos tömlőkkel csatlakoznak a gáznyomástartályokhoz. A jelen útmutató lehetővé teszi a készülék biztonságos és hatékony használatát. Az útmutató a készülék szerves részét képezi, és azt a személyzet közvetlen közelében kell tartani, és a személyzet számára mindig hozzáférhetővé kell tenni. A személyzetnek a munka megkezdése előtt gondosan el kell olvasnia és meg kell értenie ezt az útmutatót. A biztonságos munkavégzés alapfeltétele a jelen útmutatóban felsorolt összes biztonsági és kezelési utasítás betartása. Ezen kívül a készülék felhasználási területére vonatkozó helyi balesetvédelmi előírások és az általános biztonsági előírások is érvényesek. A jelen útmutatóban található ábrák az alapvető megértést szolgálják, és eltérhetnek a tényleges kivitelől.

### 1.2. A TEHERMENTESÍTŐ ÁLLOMÁSSAL KAPCSOLATOS INFORMÁCIÓK

Az ilyen típusú tehermentesítő állomások csak szabványos gázként meghatározott gázokkal használhatók. Ezen tehermentesítő állomások maximális üzemi nyomása 300 bar.

Az egyfokozatú tehermentesítő állomások fém membránnal ellátott szelepekből és nyomásszabályozókból állnak. Az ISO7291/10297 szabvány szerint gyártották és hagyják jóvá, beleértve az oxigén-kiégési tesztet.

Termékcsalád	(tisztaság: 6,0 l krómozott sárgaréz)	(tisztaság: 6,0 l nemesacél)
A lefúvószelep FKM-üléssel	<ul style="list-style-type: none"> <li>• Felhasználható gázok (beleértve azok keverékeit is): <ul style="list-style-type: none"> <li>• Nagy tisztaságú</li> <li>• Inert</li> <li>• Éghető</li> <li>• Oxidáló</li> <li>• O<sub>2</sub></li> </ul> </li> <li>• NEM felhasználható gázok (beleértve azok keverékeit is): <ul style="list-style-type: none"> <li>• Maró</li> <li>• Mérgező</li> <li>• CO<sub>2</sub>, N<sub>2</sub>O</li> </ul> </li> </ul>	<ul style="list-style-type: none"> <li>• Felhasználható gázok (beleértve azok keverékeit is): <ul style="list-style-type: none"> <li>• Nagy tisztaságú</li> <li>• Inert</li> <li>• Éghető</li> <li>• O<sub>2</sub> 200 bar-ig</li> <li>• Maró (Kérjük, lépjen kapcsolatba velünk, ha valami nem egyértelmű) <ul style="list-style-type: none"> <li>• Mérgező (Kérjük, lépjen kapcsolatba velünk, ha valami nem egyértelmű)</li> </ul> </li> </ul> </li> <li>• NEM felhasználható gázok (beleértve azok keverékeit is): <ul style="list-style-type: none"> <li>• O<sub>2</sub> (200 bar fölött)</li> <li>• CO<sub>2</sub>, N<sub>2</sub>O</li> <li>• NH<sub>3</sub>, SO<sub>2</sub>, H<sub>2</sub>S</li> </ul> </li> </ul>

<p>A lefűvószelep EPDM-ülésével</p>	<ul style="list-style-type: none"> <li>• Felhasználható gázok (beleértve azok keverékeit is) : <ul style="list-style-type: none"> <li>• Nagy tisztaságú</li> <li>• Inert</li> <li>• Éghető</li> <li>• Oxidáló</li> <li>• CO<sub>2</sub>, N<sub>2</sub>O</li> </ul> </li> <li>• NEM felhasználható gázok (beleértve azok keverékeit is): <ul style="list-style-type: none"> <li>• Maró</li> <li>• Mérgező</li> <li>• O<sub>2</sub> (21%-nál nagyobb arányban)</li> <li>• Szénhidrogének</li> </ul> </li> </ul>	<ul style="list-style-type: none"> <li>• Felhasználható gázok (beleértve azok keverékeit is): <ul style="list-style-type: none"> <li>• Nagy tisztaságú</li> <li>• Inert</li> <li>• Éghető</li> <li>• Oxidáló</li> <li>• Maró (Kérjük, lépjen kapcsolatba velünk, ha valami nem egyértelmű) <ul style="list-style-type: none"> <li>• Mérgező (Kérjük, lépjen kapcsolatba velünk, ha valami nem egyértelmű)</li> <li>• CO<sub>2</sub>, N<sub>2</sub>O</li> <li>• NH<sub>3</sub>, SO<sub>2</sub>, H<sub>2</sub>S</li> </ul> </li> </ul> </li> <li>• NEM felhasználható gázok (beleértve azok keverékeit is): <ul style="list-style-type: none"> <li>• O<sub>2</sub></li> <li>• Szénhidrogének</li> </ul> </li> </ul>
-----------------------------------------	---------------------------------------------------------------------------------------------------------------------------------------------------------------------------------------------------------------------------------------------------------------------------------------------------------------------------------------------------------------------------------------------------------------------------------------------------------------------------------------------------------------	-------------------------------------------------------------------------------------------------------------------------------------------------------------------------------------------------------------------------------------------------------------------------------------------------------------------------------------------------------------------------------------------------------------------------------------------------------------------------------------------------------------------------------------------------------------------------------------------------------------------------------------------------------------------------------------------------------------------

HU

Ez a táblázat nem a teljesség igényével készült. Ha bármilyen kérdése van vagy ha valami nem egyértelmű, kérjük, forduljon a gyártóhoz.

### 1.2.1. S300/S200/S60

Ez a tehermentesítő állomás sárgarézből krómozott és nemesacélból készült változatban kapható. A következő komponensekből áll:

- Nyomásszabályozó bemeneti és kimeneti nyomásmérőkkel
- Öblítőszelep az termékgázzal való öblítéshez és 4-portos elzárószelep a bemenetnél
- Lefűvószelep
- Előlap és alaplemez

#### KIEGÉSZÍTÉS

- S: Biztonsági szelep a kimenetnél
- C: Visszacsapó szelepek a bemeneteknél
- U: Biztonsági szelep a kimenetnél és visszacsapó szelepek a bemeneteknél

### 1.2.2. S203



Ez a tehermentesítő állomás csak nemesacélból készült változatban kapható. A következő komponensekből áll:

- Nyomásszabályozó, bemeneti és kimeneti nyomásmérőkkel
- Két-két 4-portos öblítőszelep és egy 2-portos szelep az inert gázos öblítéshez a bemeneteknél
- Lefűvószelep
- Előlap és alaplemez

#### KIEGÉSZÍTÉS

- S: Biztonsági szelep a kimenetnél

## 1.3. SZIMBÓLUMOK MAGYARÁZATA

<p><b>BIZTONSÁGI UTASÍTÁSOK</b></p>	<p>A biztonsági utasításokat a jelen útmutatóban szimbólumok jelzik. A biztonsági utasításokat a veszély mértékét kifejező jelzőszavak vezetik be.</p>
	<p><b>VESZÉLY!</b></p> <p>A szimbólum és a jelzőszó ezen kombinációja olyan közvetlen veszélyhelyzetet jelez, amely halálhoz vagy súlyos sérüléshez vezet, ha nem kerülik el.</p>
	<p><b>FIGYELEM!</b></p> <p>A szimbólum és a jelzőszó ezen kombinációja olyan lehetséges veszélyes helyzetet jelez, amely halálhoz vagy súlyos sérüléshez vezethet, ha nem kerülik el.</p>

**VIGYÁZAT!**

A szimbólum és a jelszó ezen kombinációja olyan lehetséges veszélyhelyzetet jelez, amely enyhe vagy könnyű sérüléshez vezethet, ha nem kerülnek el.

**ÉRTESTÍTÉS!**

A szimbólum és a jelszó ezen kombinációja olyan lehetséges veszélyes helyzetet jelez, amely anyagi vagy környezeti károkhoz vezethet, ha nem kerülnek el.

**TIPPEK ÉS AJÁNLÁSOK**

Ez a szimbólum hasznos tippeket és ajánlásokat, valamint a hatékony és problémamentes üzemeltetéshez szükséges információkat emeli ki.

**KÜLÖNLEGES TUDNIVALÓK**

A biztonsági utasításokban a következő szimbólumok a különleges veszélyekre hívják fel a figyelmet.

**VESZÉLY!**

A szimbólum és a jelszó ezen kombinációja az elektromos áram okozta közvetlen veszélyhelyzetet jelzi. Az így megjelölt figyelmeztetés figyelmen kívül hagyása súlyos vagy halálos sérüléseket okozhat.

**1.4. A FELELŐSSÉG KORLÁTOZÁSA**

A jelen útmutatóban található valamennyi információ és utasítás a vonatkozó szabványok és előírások, a technika jelenlegi állása, valamint sokéves tudásunk és tapasztalatunk figyelembevételével készült.

A gyártó nem vállal felelősséget a következő esetekben bekövetkező károkért:

- A jelen utasítás figyelmen kívül hagyása
- A rendeltetésszerű használattól eltérő használat
- Nem képzett személyzet használata
- Nem megengedett műszaki és szerkezeti átalakítások
- Nem jóváhagyott pótalkatrészek használata
- A nyomástartó berendezés hibás biztonsági berendezésekkel vagy nem rendeltetésszerűen felszerelt vagy nem működő biztonsági és védőberendezések való üzemeltetése
- A kopásnak kitett alkatrészek, csavarkötések és tömítőelemek nem megfelelő ellenőrzése
- Szakszerűtlenül elvégzett javítások
- Az adatlapon megadott hőmérséklet-tartomány túllépése vagy alumulása az üzemeltetés, ill. a tárolás során
- Idegen tárgyak és vis maior okozta katasztrófák

A tényleges szállítási terjedelem eltérhet az itt leírt magyarázatoktól és illusztrációktól a speciális változatok, a kiegészítő rendelési opciók használata vagy a legújabb technikai változások miatt. A szállítási szerződésben vállalt kötelezettségek, az általános szerződési feltételek, valamint a gyártó szállítási feltételei és a szerződéskötés időpontjában érvényes jogszabályi előírások az irányadóak.

**1.5. SZERZŐI JOGI VÉDELEM**

A jelen útmutató tartalma szerzői jogi védelem alatt áll. Használata a készülék felhasználási körén belül megengedett. A gyártó írásbeli hozzájárulása nélkül semminemű más felhasználás nem megengedett.

## 1.6. PÓTALKATRÉSZEK



### FIGYELEM!

- Sérülésveszély a nem megfelelő pótalkatrészek használata miatt!
- A helytelen vagy hibás pótalkatrészek használata veszélyt jelenthet a személyzet számára, valamint sérüléseket, helytelen működést vagy a készülék teljes meghibásodását okozhatják.
- Csak a gyártó eredeti vagy a gyártó által jóváhagyott pótalkatrészeket használja.
- Készség esetén mindig forduljon a gyártóhoz.



### GARANCIA MEGSZŰNÉSE!

- A nem jóváhagyott pótalkatrészek használata a gyártó garanciájának megszűnését eredményezi.

## 1.7. JÓTÁLLÁSI FELTÉTELEK

Alapvetően „Általános Üzleti és Szállítási Feltételeink” érvényesek. Ezek legkésőbb a szerződés megkötése óta az ügyfél rendelkezésére állnak.

## 1.8. VEVŐSZOLGÁLAT

Mindig érdeklődünk a használat során szerzett információk és tapasztalatok iránt, amelyek értékesnek bizonyulhatnak termékeink fejlesztése szempontjából.

## 2. BIZTONSÁG

Ez a szakasz áttekintést nyújt a személyek védelme, valamint a biztonságos és problémamentes működés tekintetében fontos biztonsági szempontokról. A feladatokkal kapcsolatos további biztonsági utasításokat az egyes életszakaszokra vonatkozó szakaszok tartalmazzák.

### 2.1. RENDELTETÉSSZERŰ HASZNÁLAT

A tehermentesítő állomások csak a megadott gázokhoz és nyomásokhoz, a megadott hőmérsékleteknek megfelelően használhatók. A névleges térfogatáram 20 m<sup>3</sup>/h (sűrített levegő). A rendeltetésszerű használat magában foglalja a jelen használati útmutatóban szereplő valamennyi információ és tudnivaló betartását, az ellenőrzési és karbantartási munkák elvégzését, valamint a típus tábla és az adatlapok figyelembe vételét is. A rendeltetésszerű használaton túlmenő vagy bármilyen más használat helytelen használatnak minősül.



### FIGYELEM!

- **Veszély helytelen használat esetén!**
- A tehermentesítő állomások helytelen használata veszélyes helyzetekhez vezethet.
- Soha ne használja a tehermentesítő állomásokat folyadékokhoz.
- Soha ne csatlakoztasson a megfelelő nyomásszabályozó panelhez tervezettnél nagyobb bemeneti nyomású forrásokat.

#### 2.1.1. A TEHERMENTESÍTŐ ÁLLOMÁS SZERKEZETI MÓDOSÍTÁSAI

A gyártó írásos engedélye nélkül ne végezzen semmilyen változtatást,

kiegészítést vagy módosítást a tehermentesítő állomáson.

A nem kifogástalan állapotban lévő tehermentesítő állomásokat azonnal ki kell cserélni

A gázkészülékek tisztítása és a maradékok eltávolítása

A javításra váró használt tehermentesítő állomásokat inert gázzal (nitrogén) kell kiöblíteni.

Zajkeltés

Egyes esetekben bizonyos befolyásoló változók - mint például az áramlási sebesség és a nyomástartomány, de maga a gáz típusa is - kedvezőtlen kölcsönhatása zajkeltéshez vezethet. Ezekben az esetekben forduljon a gyártóhoz.

## 2.2. ALAPVETŐ VESZÉLYEK

Az alábbiakban felsoroljuk azokat a maradék kockázatokat, amelyek a készülék rendeltetészerű használata esetén is fennállhatnak.

A személyi sérülések és anyagi károk kockázatának csökkentése, valamint a veszélyes helyzetek elkerülése érdekében az itt felsorolt biztonsági utasításokat és a jelen útmutató más részeiben található biztonsági utasításokat be kell tartani.



### VESZÉLY!

- **A gázok életveszélyesek lehetnek!**
- A gázok kiszoríthatják a levegőt és így a benne lévő oxigént. Ez fulladás okozta halálhoz vezethet. Az oxigén erősen oxidatív légkört képez. A gyúlékony gázok robbanásveszélyes légkört képezhetnek.

#### EZÉRT:

- Gondoskodjon a megfelelő szellőzésről!
- Csak tanúsított szakvállalkozás végezheti el a telepítést!
- Tartsa be az ATEX-irányelveket

HU



### FIGYELEM!

- **A környezetből eredő veszélyek!**  
A kondenzáció és/vagy jegesedés meghibásodást okozhat a készülékben.

#### EZÉRT:

- Tartsa be a hőmérsékleti tartományokat!
- Védje a készüléket a kívülről érkező folyadékoktól!
- Védje a készüléket a kívülről érkező por ellen!
- A készüléket időjárástól védve telepítse!
- A meglévő földelést megfelelően rögzítse!



### FIGYELEM!

- **Balesetveszély olaj és zsír használatakor!**  
A nyomásszabályozó rendszerekben alapvetően nem szabad olajokat és zsírokat használni. Az olajok és zsírok nagyon gyúlékonyak, és heves reakcióba lépnek bizonyos sűrített gázokkal.

#### EZÉRT:

- Soha ne használjon olajat vagy zsírt!



### FIGYELEM !

- **Balesetveszély a rendszerben tárolt energia miatt!**

A helytelen kezelés következtében a nyomástartó alkatrészek vagy azok egyes részei ellenőrizetlen mozgásokat hajthatnak végre, és súlyos vagy akár halálos sérüléseket okozhatnak. A helytelen kezelés következtében a gáz kiszabadulhat a nyomástartó részekből, és súlyos vagy akár halálos sérüléseket okozhat.

#### MIelőTT BÁRMILYEN MUNKÁT ELKEZDENE A NYOMÁSTARTÓ ALKATRÉSZEKKEL:

- Csak tanúsított szakvállalkozás végezheti el a telepítést!
- Viseljen védőszemüveget!
- Viseljen fülvédőt!
- Győződjön meg róla, hogy a rendszer nincs nyomás alatt!
- Győződjön meg róla, hogy a rendszerben nem tárolódik több energia!
- Ügyeljen arra, hogy a gáz véletlenül se tudjon kiszökni!
- Gondoskodjon arról, hogy a meghibásodott alkatrészeket azonnal cserélje ki képzett személyzet!



## FIGYELEM!

- **Balesetveszély!**

A helytelen telepítés súlyos vagy akár halálos sérüléseket is okozhat.

### EZÉRT:

- A telepítés során biztosítsa a készülékeket leesés ellen!
- Ne dobja a készüléket!

A nyomástartó alkatrészek csak a rendeltetésszerű használatra használhatók.

A csövezetékek és szerelvények mechanikai sérülése esetén a rendszert biztonságos állapotba kell hozni (az érintett szakaszt el kell zárni).

A biztonságot befolyásoló hibákat képzett és szakképzett személyzetnek vagy a gyártónak kell haladéktalanul elhárítania.

Különösen gázok esetében fennáll a vezetéknyomás-szabályozó meghibásodásának veszélye. Ezt vagy a nyomásszabályozó utáni gázáramlás hiánya, vagy az ellennyomás hirtelen megnövekedése jelzi. Ha a nyomásszabályozó meghibásodik, a rendszert azonnal üzemem kívül kell helyezni. Az illetékes karbantartó céget feltétlenül tájékoztatni kell. Soha ne zárja el a kifűvövezetékeket.

HU

## 2.3. AZ ÜZEMELTETŐ FELELŐSSÉG

### ÜZEMELTETŐ

Az üzemeltető az a személy, aki a készüléket kereskedelmi vagy gazdasági célból üzemelteti, vagy aki azt harmadik félnek használatra/alkalmazásra átadja, és aki a törvényes termékfelelősséget viseli a felhasználó, a személyzet vagy harmadik felek védelméért az üzemeltetés során.

### ÜZEMELTETŐI KÖTELEZETTSÉGEK

A készülék a kereskedelmi szektorban kerül felhasználásra. A készülék üzemeltetője ezért a munkavédelemmel kapcsolatos jogi kötelezettségek hatálya alá tartozik.

A jelen útmutatóban található biztonsági utasításokon kívül be kell tartani a készülék felhasználási területére vonatkozó biztonsági, balesetvédelmi és környezetvédelmi előírásokat.

### KÜLÖNÖSEN A KÖVETKEZŐK ÉRVÉNYESEK:

- Az üzemeltetőnek tájékozódnia kell az alkalmazandó munkavédelmi és munkaegészségügyi előírásokról, és egy kockázatelemzés keretében ezen túlmenően meg kell határozni a készülék felhasználási helyén a konkrét munkakörülményekből eredő veszélyeket. Ezeket a készülék működtetésére vonatkozó üzemeltetési utasítások formájában kell végrehajtania.
- Az üzemeltetőnek a készülék használatának teljes időtartama alatt ellenőriznie kell, hogy az általa összeállított használati utasítások megfelelnek-e a hatályos előírásoknak, és szükség esetén ki kell igazítani azokat.
- Az üzemeltetőnek egyértelműen szabályoznia kell és meg kell határozni a telepítéssel, üzemeltetéssel, hibaelhárítással, karbantartással és tisztítással kapcsolatos felelősségeket.
- Az üzemeltetőnek biztosítania kell, hogy a készüléket kezelő valamennyi személy elolvasta és megértette ezeket az utasításokat. Ezen kívül rendszeres időközönként ki kell képeznie a személyzetet, és tájékoztatnia kell őket a veszélyekről.
- Az üzemeltetőnek biztosítania kell a személyzet számára a szükséges védőfelszerelést, és kötelező érvényű utasításokat kell adnia a szükséges védőfelszerelés viselésére.

Az üzemeltető felelős továbbá azért, hogy a rendszer teljes műszaki megbízhatósága mindenkor biztosított legyen.

### EZÉRT A KÖVETKEZŐK ÉRVÉNYESEK:

- Az üzemeltetőnek biztosítania kell a jelen kézikönyvben meghatározott karbantartási időközök betartását.
- Az üzemeltetőnek gondoskodnia kell arról, hogy minden biztonsági berendezés működési megbízhatóságát és teljességét rendszeresen ellenőrizzék.

## 2.4. A SZEMÉLYZETRE VONATKOZÓ KÖVETELMÉNYEK

### 2.4.1. KÉPZETTSÉGEK

A jelen útmutatóban leírt különböző feladatok különböző követelményeket támasztanak az e feladatokkal megbízott személyek képzettségével szemben.



#### FIGYELEM!

- **Veszély a személyek elégtelen képzettsége esetén!**

- A nem megfelelően képzett személyek nem tudják felmérni a kockázatokat a készülék kezelése során, és saját magukat és másokat is súlyos vagy halálos sérülés veszélyének teszik ki.
- Minden munkát csak szakképzett személyzet végezhet!
- Tartsa távol a munkaterülettől a nem megfelelően képzett személyeket!

Csak olyan személyek végezhetnek munkát, akikről elvárható, hogy a munkát megbízhatóan elvégezzék. A munkavégzés nem vehetnek részt olyan személyek, akik reakcióképessége pl. kábítószeres, alkoholos vagy gyógyszeres befolyásoltság alatt áll.

A jelen útmutatóban az alább felsorolt személyek képzettségét nevezik meg a különböző feladatokhoz:

#### GÁZTECHNIKUS-MÉRNÖK

Szakképzettséggel rendelkezik a vonatkozó szabványok és irányelvek területén, olyan készségekkel, tapasztalatokkal és ismeretekkel bír, melyek alapján képes a nyomásszabályozó rendszereken végzett munkák elvégzésére és a lehetséges kockázatok azonosítására. A gáztechnikus-mérnökök speciális képzésben részesülnek az adott gyártási helyszínre és annak speciális szabványaira és irányelveire vonatkozóan.

#### TECHNIKUS

Szakképzettséggel rendelkezik a vonatkozó szabványok és irányelvek területén, készségekkel és tapasztalatokkal bír a nyomásszabályozó rendszereken végzett munkák elvégzéséhez és a lehetséges kockázatok azonosításához.

### 2.4.2. ILLETÉKTELEN SZEMÉLYEK



#### FIGYELMEZTETÉSE!

- **Életveszély illetéktelen személyek számára a veszély- és munkaterületen lévő veszélyek miatt!**

- Azok az illetéktelen személyek, akik nem felelnek meg az itt leírt követelményeknek, nem ismerik a munkaterületen uralkodó veszélyeket. Ezért az illetéktelen személyek esetében fennáll a súlyos sérülés vagy akár halál veszélye.
- Tartsa távol az illetéktelen személyeket a veszélyes területtől és a munkaterülettől!
- Kétség esetén szólítsa meg ezeket a személyeket, és utasítsa ki őket a veszélyes területről, ill. a munkaterületről!
- Állítsa le a munkát, amíg illetéktelen személyek tartózkodnak a veszélyes, ill. a munkaterületen!

### 2.4.3. KIOKTATÁS

Az üzemeltetőnek rendszeresen ki kell oktatnia a személyzetet. A jobb nyomon követés érdekében képzési protokollt kell készíteni, amelynek minimális tartalma a következő:

- Az oktatás dátuma
- Az oktatott személy neve
- Az oktatás tartalma
- Az oktató neve
- Az oktatott személy és az oktató aláírása

## 2.5. EGYÉNI VÉDŐFELSZERELÉS

Az egyéni védőfelszereléseket arra használják, hogy megvédjék a személyeket a munkahelyi biztonságot és az egészséget befolyásoló hatásoktól.

A személyzetnek a készüléken és a készülékkel végzett különböző munkák során egyéni védőfelszerelést kell viselnie, amelyre külön-külön hivatkoznak a jelen útmutató egyes részei.



## LÉGZŐKÉSZÜLÉK, ÖNÁLLÓ LÉGZŐKÉSZÜLÉK



Védelem a káros gázok, gőzök, porok és hasonló anyagok ellen. Légzésvédő készüléket, például sűrített levegős légzőkészüléket kell használni, ha a környezeti levegőben a 17%-ot meghaladó oxigéntartalom nem biztosítható, és/vagy a környezeti levegőben lévő káros anyagok megengedett határértékének túllépése nem zárható ki. Önálló légzőkészüléket csak speciálisan képzett személyzet viselhet.

## LÉGZŐKÉSZÜLÉK, ÖNÁLLÓ LÉGZŐKÉSZÜLÉK



Védelem a káros gázok, gőzök, porok és hasonló anyagok ellen. A keringő levegőtől függő légzésvédő eszközöket (szűrőberendezéseket) kell használni, ha nem zárható ki, hogy a környezeti levegőben lévő káros anyagok megengedett határértékei túllépésre kerülnek. A keringő levegőtől függő légzésvédő eszközöket (szűrőberendezéseket) csak akkor szabad használni, ha a légzéshez használt levegő garantált oxigéntartalma 17% felett van.

## VÉDŐSZEMÜVEG



Védelem a repülő alkatrészek és csöpögés ellen.

## KESZTYŰ, VEGYSZERÁLLÓ



A kezek védelme az agresszív anyagok ellen. Ügyeljen arra, hogy a kesztyű szorosan zárt legyen. Használat után a kesztyűt szakszerűen ártalmatlanítsa.

## VÉDŐKESZTYŰ



A kezek védelme a mechanikai hatások és a forró, valamint a hideg felületek ellen.

## FÜLVÉDŐ VISELETE



Védi a hallószerveket a túl hangos zajoktól, és megakadályozza a hangterhelés okozta sérüléseket.

## 2.6. VISELKEDÉS TŰZ ESETÉN ÉS BALESETNÉL

### MEGELŐZŐ INTÉZKEDÉSEK

- Mindig legyen felkészülve tüzre és balesetekre!
- Legyen biztosítva működőképes elsősegélynyújtó felszerelés (elsősegélydoboz, takarók stb.) és tűzoltó berendezés, és azokat mindig tartsa elérhető közelségben.
- A személyzet köteles megismerkedni a balesetek jelentési módszereivel, az elsősegélynyújtási és mentési lehetőségekkel.
- A megközelítési útonalakat a vészhelyzeti járművek számára szabadon kell tartani.

### INTÉZKEDÉSEK TŰZ ÉS BALESETEK ESETÉN

- Ha saját testi épsége nincs veszélyben, mentse ki a személyeket a veszélyzónából.
- Szükség esetén kezdje meg az elsősegélynyújtási intézkedéseket.
- Riassza a tűzoltóságot és/vagy a mentőszolgálatot.
- Tűz esetén: Ha nincs veszélyben a saját testi épsége, kezdje meg a tűzoltást tűzoltó készülékkel, és folytassa a tűzoltóság kiérkezéséig.
- Tájékoztassa az illetékest a bevetési helyen.
- A megközelítési útonalakat a mentőjárművek számára mindig tartsa szabadon.
- Irányítsa a mentőjárműveket.

## 2.7. KÖRNYEZETVÉDELEM



### ÉRTESÍTÉS!

- **Környezeti károk veszélye a veszélyes anyagok helytelen kezelése miatt!**
- A környezetre veszélyes anyagok helytelen kezelése, különösen a helytelen ártalmatlanítás jelentős környezeti károkat eredményezhet.
- A környezetre veszélyes anyagok kezelésére és ártalmatlanítására vonatkozó alábbi utasításokat mindig tartsa be!
- Ha a környezetre veszélyes anyagok véletlenül a környezetbe kerülnek, azonnal tegye meg a megfelelő óvintézkedéseket. Késég esetén értesítse az illetékes helyi hatóságot a kárról, és kérje a megfelelő intézkedések foganatosítását.

## 2.8. TÁBLÁK

HU



### FIGYELEM!

- **Olvashatatlan táblák esetén veszély áll fenn!**
- Idővel a matricák és táblák szennyeződhetnek vagy más módon felismerhetetlenné válhatnak, így a veszélyeket nem lehet felismerni, és a szükséges kezelési utasításokat nem lehet követni. Ez sérülésveszélyhez vezet.
- Mindig tartsa olvasható állapotban az összes biztonsági, figyelmeztető és kezelési utasítást.
- A sérült táblákat vagy matricákat azonnal cserélje ki újakra.

### 2.8.1. UTASÍTÓ JELZÉS

- Nincs jelzés

### 2.8.2. TILTÓ JELZÉS

- Nincs jelzés

### 2.8.3. FIGYELMEZTETŐ JELZÉS



FIGYELMEZTETÉS  
GÁZPALACKOKRA



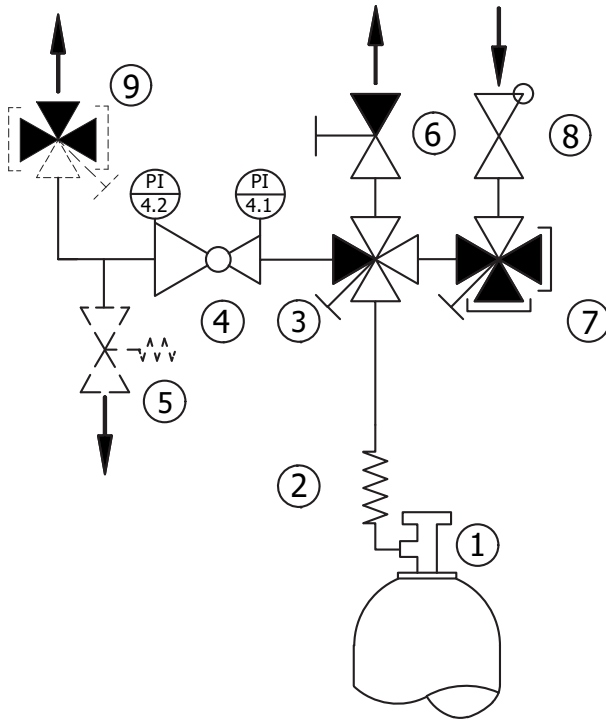
FIGYELMEZTETÉS  
ROBBANÁSVESZÉLYES  
LÉGKÖRRE



FIGYELMEZTETÉS MÉRGEZŐ  
ÉS/VAGY MARÓ ANYAGOKRA

### 3. MŰSZAKI ADATOK

#### 3.1. FOLYAMATÁBRA – S300/S200/S60



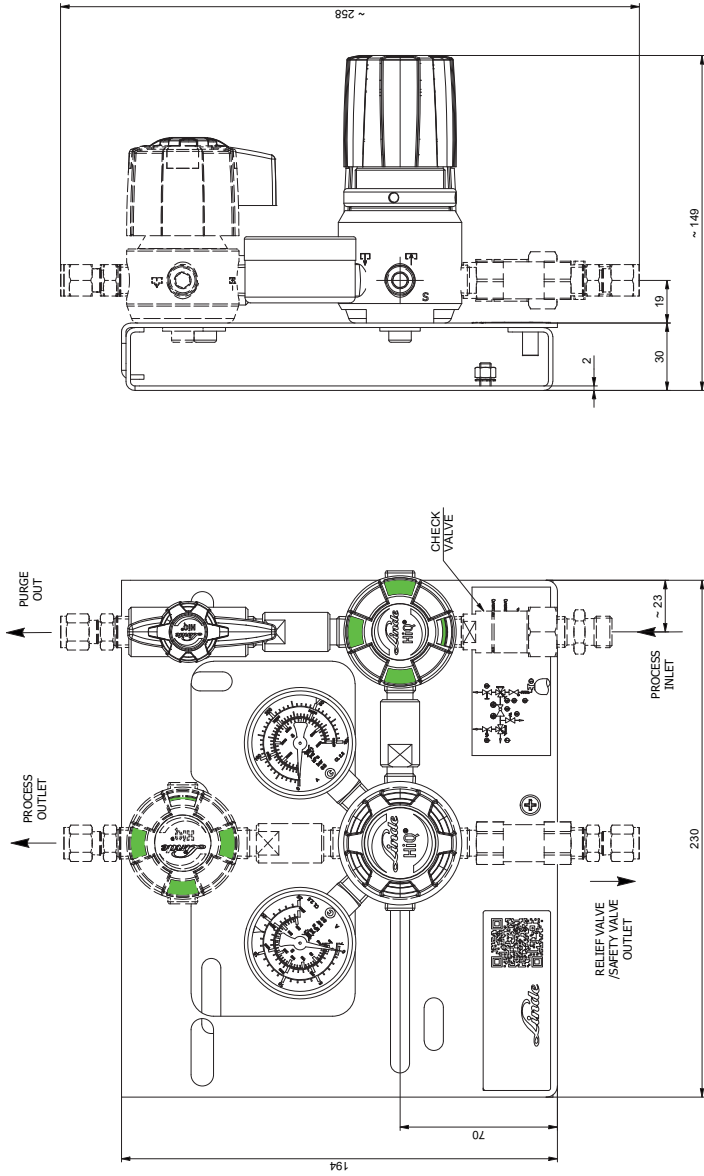
HU

- 1 – GÁZPALACK
- 2 – TEKERCES
- 3 – ELZÁRÓSZELEP (3X BE, 1X KI)
- 4 – NYOMÁSSZABÁLYOZÓ BE/KI MÉRŐVEL
- 5 – TÖMÍTŐSZELEP / BIZTONSÁGI SZELEP, (OPT.)
- 6 – ÖBLÍTSE KI A KIMENETI SZELEPET
- 7 – LEÖBLÍTŐ BEMENETI SZELEP (1XIN, 3XOUT)
- 8 – VISSZACSAPO SZELEP
- 9 – ELZÁRÓSZELEP (1XIN, 3XOUT); (OPT.)

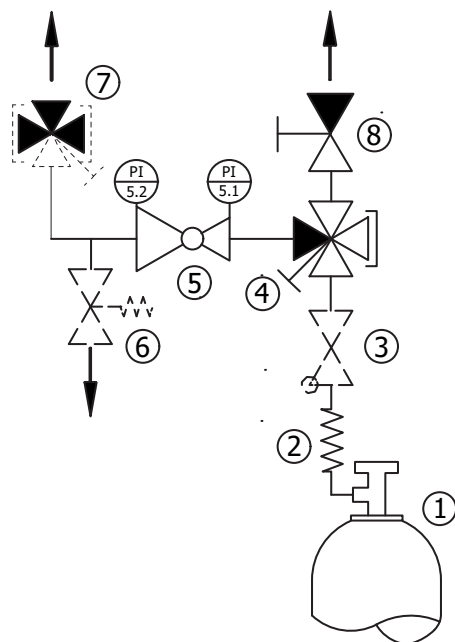
Az opciók szaggatott vonallal vannak ábrázolva

### 3.2. MÉRETLAP – S300/S200/S60

HU



### 3.3. FOLYAMATÁBRA – S203



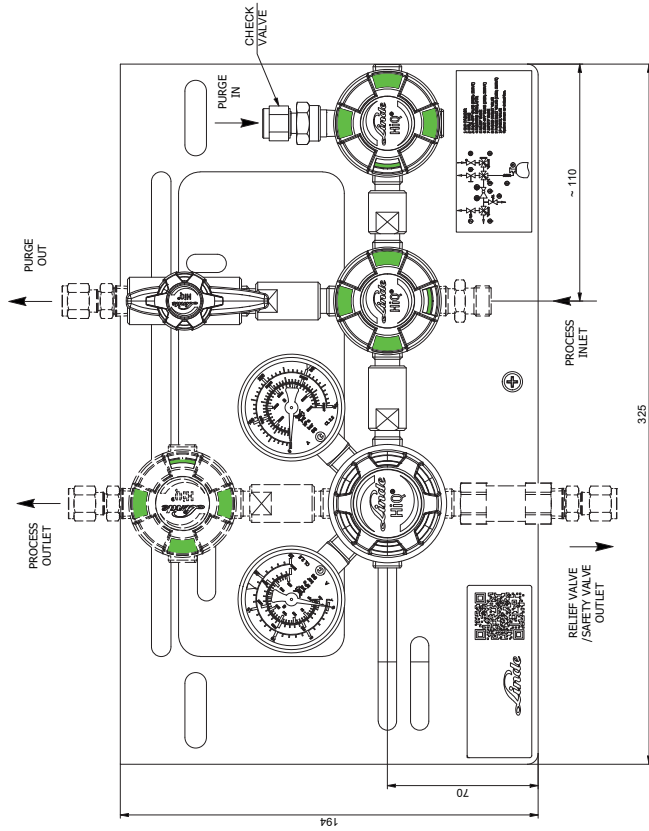
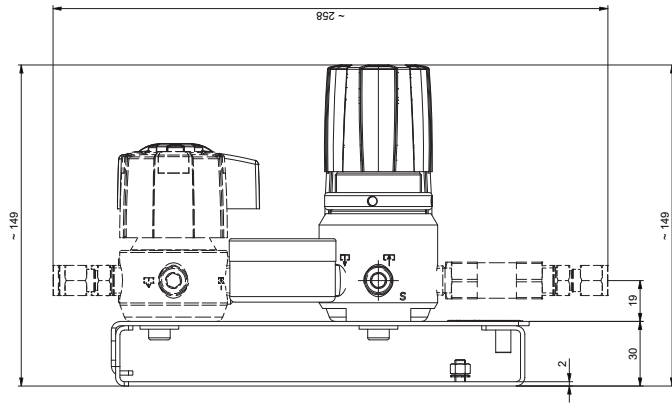
HU

- 1 – GÁZPALACK
- 2 – TEKERCS
- 3 – VISSZACSAPO SZELEP (OPT.)
- 4 – ELZÁRÓSZELEP (3X BE, 1X KI)
- 5 – NYOMÁSSZABÁLYOZÓ BE/KI MÉRŐVEL
- 6 – TÖMÍTŐSZELEP / BIZTONSÁGI SZELEP, (OPT.)
- 7 – ELZÁRÓSZELEP (1XIN, 3XOUT), (OPT.)
- 8 – ÖBLÍTSE KI A KIMENETI SZELEPET)

**Az opciók szaggatott vonallal vannak ábrázolva**

### 3.4. MÉRETLAP – S203

HU



### 3.5. ÁLTALÁNOS ADATOK

Adat	S300/S200/S60-BC	S300/S200/S60-SS
max. súly [kg]	5,25	8,57
Hosszúság [mm]	230	230
Szélesség [mm]	150	150
Magasság [mm]	194	194

Adat	S203-SS
max. súly [kg]	6,97
Hosszúság [mm]	325
Szélesség [mm]	150
Magasság [mm]	194

HU

### 3.7. CSATLAKOZTATÁSI ÉRTÉKEK

Adat	Érték	Egység
Bemenet	NPT 1/4" női több adapter is elérhető	metrikus col
Kimenet	1/8", 1/4", 3/8", 1/2" 3, 6, 8, 10, 12	Szorítógyűrűk - col Szorítógyűrűk - mm
Lefúvószelep / öblítőszelep ha van	1/4", 3/8", 1/2" 6, 8, 10, 12	Szorítógyűrűk - col Szorítógyűrűk - mm
Biztonsági szelep	NPT 1/2" female	col

### 3.8. TELJESÍTMÉNYADATOK

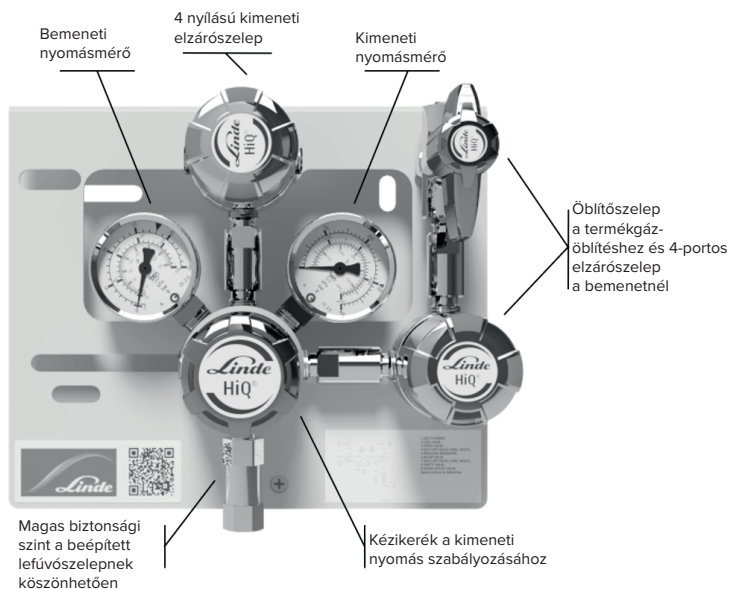
Adat	Érték	Egység
Névleges átfolyás	20 (sűrített levegő)	m <sup>3</sup> /h
Bemeneti nyomás (max.)	S300: 300 S203: 200 S200: 200 S60: 60	bar
Kimeneti nyomás (max.)	200	bar

### 3.9. ÜZEMELTETÉSI FELTÉTELEK - KÖRNYEZET

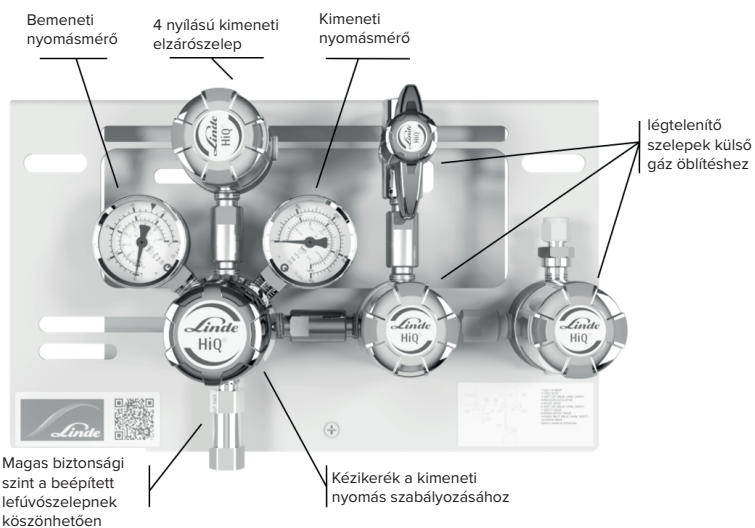
Adat	Érték	Egység
Hőmérséklet-tartomány	-20 till +60	°C
Relatív páratartalom (max.)	98	%

## 4. FELÉPÍTÉS ÉS MŰKÖDÉS

### 4.1. FELÉPÍTÉS – S300/S200/S60



### 4.2. FELÉPÍTÉS – S203



### 4.3. RÖVID LEÍRÁS

Az S300/S200/S60-BC... típusú (anyag: krómzott sárgaréz) tehermentesítő állomások segítségével egy ipari, nem mérgező és nem korrodáló gázt vagy gázkeveréket, amelyet egy túlnyomásos gáztartályban/nyomásos gáztartály-kötegben tárolnak, túlnyomás alatt, akár 300 bar maximális nyomásról egy csővezeték nyomására (3 bar, 6 bar, 10 bar, 14 bar, 28 bar, 50 bar, 100 bar, 200 bar) csökkentenek le.



Az **S300/S200/S60/S203-SS...** típusú tehermentesítő állomások (anyag: nemesacél) segítségével a túlnyomásos gáztartályban/nyomásos gáztartály-kötegben tárolt, mérgező és maró hatású gázok vagy gázkeverékek nyomását lecsökkentik a legfeljebb 300 bar maximális nyomásról a csővezeték nyomására (3 bar, 6 bar, 10 bar, 14 bar, 28 bar, 50 bar, 100 bar, 200 bar).

Az állomás nyomáscsökkentőjében lévő nyomáscsökkentő szelep védi annak kilépőnyomás-területét a nyomáscsökkentő ülésében levő szivárgás okozta nem megengedett nyomásnövekedés ellen. Biztonsági szelep és/vagy visszacsapó szelep adható hozzá.

Az állomás nyomáscsökkentőjénél a tényleges belépő- és kilépő nyomást Bourdon-csőves nyomásmérők jelzik. Lehetőség van kontaktmanométerek használatára mind a nyomáscsökkentő belépő-, mind annak kilépő nyomástartományban.

Ha az állomás öngázos öblítőrendszerrel rendelkezik, az állomás nagynyomású területeit az üzembe helyezés előtt meg lehet tisztítani az esetleges szennyeződésektől. A rendszer lehetővé teszi továbbá, hogy a palackcsere előtt nyomásmentesítsék az állomás nagynyomású területeit.

Ha az állomás rendelkezik idegen gázos öblítéssel (S203), akkor az állomás nagynyomású területeit inert öblítőgázzal lehet öblíteni az üzembe helyezés előtt, valamint a biztonságos palackcsere és/vagy karbantartás céljából. Az idegen gázos öblítéssel ellátott változat csak a tehermentesítő állomás nemesacélból készült változatában érhető el.

A fent leírt rendszerek mindegyike közös nemesacél konzolra van szerelve. A konzol kellően nagy méretezése révén az állomás minden egyes alkatrésze kellően védve van a csomagban és összeszerelt állapotban történő szállítás közbeni véletlen sérülésekkel szemben. A konzol osztott kialakítása lehetővé teszi az egyszerű, súlycsökkentett rögzítést. A konzol előlapján lévő nyílás lehetővé teszi a nyomásmérők cseréjét a konzolnak az állomásról való leszerelése és az ellátórendszerrel való leszerelése nélkül. Az állomás mindkét oldalán található egy-egy lyuk az alaplemezen a palackcsatlakozó tömlők karabinerhoroggal való rögzítésére. Az állomás csatlakoztatása a helyi potenciálkiegyenlítéshez a konzol alaplemezen erre a célra felszerelt csavaron keresztül történhet.

A fent említett rendszerek fejlesztése, gyártása és gyártási tesztelése többek között az alábbi szabványoknak megfelelően történt:

- Nyomáscsökkentő- ISO 7291
- Szelepek- ISO 10297
- Nyomásmérő EN 837-1
- A teljes állomás mechanikai robbanásvédelme- ISO80079-36; IEC 60079-32-1; TRGS 727

HU

## 5. SZÁLLÍTÁS, CSOMAGOLÁS ÉS TÁROLÁS



### TIPPEK ÉS AJÁNLÁSOK!

- A telepítést és az első üzembe helyezést ideális esetben a gyártó alkalmazottai vagy az általa felhatalmazott személyek végzik el.
- Mindazonáltal előfordulhat, hogy a telepítés és a további használat során a kezelőt vagy az üzemeltető karbantartó személyzetét bízzák meg a csomagok kezelésével. Ennek során az alábbi utasításokat feltétlenül be kell tartani.

### 5.1. BIZTONSÁGI UTASÍTÁSOK A SZÁLLÍTÁSHOZ



#### FIGYELEM!

- **Anyagi károk a szakszerűtlen szállítás következtében!**
- Szakszerűtlen szállítás esetén a szállítandó darabok leeshetnek vagy felborulhatnak. Ez jelentős anyagi károkat okozhat.
- Legyen óvatos a szállított darabok kirakodásakor a kiszállításkor és a belső szállítás során, és vegye figyelembe a csomagoláson található szimbólumokat és utasításokat.
- Csak a megadott rögzítési pontokat használja.
- Csak röviddel az összeszerelés előtt távolítsa el a csomagolást.

## 5.2. SZÁLLÍTÁSI ELLENŐRZÉS

Átvételkor haladéktalanul ellenőrizze a szállítmány teljesség és szállítási sérülések szempontjából. Külsőleg látható szállítási sérülés esetén a következőképpen járjon el:

- Ne vagy csak fenntartásokkal vegye át a szállítmányt.
- Jegyezze fel a sérülés mértékét a fuvarokmányokon vagy a fuvarozó szállítólevelén.
- Indítsa el a reklamációs eljárást.



### TIPPEK ÉS AJÁNLÁSOK!

- Azonnal reklamáljon bármilyen hibát, amint azt észleli. Kártérítési igényt csak a jótállási időn belül lehet benyújtani.

## 5.3. CSOMAGOLÁS

Az egyes csomagokat a várható szállítási körülményeknek megfelelően csomagolják. A csomagoláshoz kizárólag környezetbarát anyagok kerülnek felhasználásra.

A csomagolás célja, hogy az egyes alkatrészeket az összeszerelésig megvédje a szállítási sérülésektől, korróziótól és egyéb károsodásoktól. Ezért ne semmisítse meg a csomagolást, és csak röviddel az összeszerelés előtt távolítsa el.



### ÉRTESTÍTÉS!

- **Környeztkárosítás veszélye a helytelen ártalmatlanítás következtében!**
- A csomagolóanyagok értékes nyersanyagok, és sok esetben újra felhasználhatók vagy újrahasznosíthatók. A csomagolóanyagok helytelen ártalmatlanítása veszélyes lehet a környezetre.
- A csomagolóanyagokat környezetbarát módon ártalmatlanítsa.
- Tartsa be a helyileg érvényes ártalmatlanítási előírásokat. Szükség esetén egy erre szakosodott vállalkozást bízjon meg az ártalmatlanítással.

## 5.4. TÁROLÁS

A csomagokat a következő feltételek mellett tárolja:

- Ne tárolja a szabadban.
- Száraz és pormentes helyen tárolja.
- Ne tegye ki agresszív közegek hatásának.
- Védje a napfénytől.
- Kerülje a mechanikai ütések.
- Tárolási hőmérséklet: 15 és 35 °C között.
- Relatív páratartalom: max. 60 %.
- 3 hónapnál hosszabb ideig tartó tárolás esetén rendszeresen ellenőrizze az összes alkatrész és a csomagolás általános állapotát. Szükség esetén távolítsa el vagy újítsa meg a konzerválószeret.



### TIPPEK ÉS AJÁNLÁSOK!

- Bizonyos körülmények között a csomagokra az itt említetteken túlmutató tárolási utasítások is vonatkozhatnak. Ezeknek megfelelően járjon el.

## 6. TELEPÍTÉS ÉS ELSŐ ÜZEMBE HELYEZÉS

### 6.1. BIZTONSÁGI UTASÍTÁSOK A TELEPÍTÉSHEZ ÉS AZ ELSŐ ÜZEMBE HELYEZÉSHEZ

#### SZEMÉLYZET

A telepítést és az első üzembe helyezést csak szakképzett személyzet végezheti el.

## 6.2. ELŐKÉSZÜLETEK

### KICSOMAGOLÁS

- Az alkatrészeket óvatosan és körültekintően csomagolja ki.
- Távolítsa el a további csomagolóanyagokat is.
- Az összes alkatrészt ellenőrizze esetleges szállítási sérülések vonatkozásában

### TEHERMENTESÍTÉS

- Az adott esetben meglévő berendezésekben a gáznymást tehermentesítse, szükség esetén öblítse át inert gázzal
- Az adott esetben meglévő berendezésekben a csővezetéseket speciális szerszámokkal válassza le, közben ügyeljen a forgácsok megelőzésére
- Ügyeljen a csatlakozó alkatrészek kifogástalan állapotára és tisztaságára

## 6.3. TELEPÍTÉS

A telepítést és az első üzembe helyezést csak szakképzett személyzet végezheti.

A tehermentesítő állomás alapeleme 164 cm-es szerelési magasságban van rögzítve.

Az előlapot a tehermentesítő állomással együtt az alapelembe kell beakasztani, és a mellékelt csavarral alul középen rögzíteni.

Az alaplapot a mellékelt csavaron keresztül kell földelni.

A tehermentesítő állomás általában szorítógyűrűs csavarzatokkal szerelik fel a termékgáz-kimenetnél, a lefúvószelepnél, az öblítőgáz-bemenetknél és az öblítőgáz-kimenetnél.

Ha van, csatlakoztassa a biztonsági és/vagy visszacsapó szelepet is.

Először távolítsa el a zárókupakokat a csatlakozókról.

Az összeszereléshez a csővezetékot teljesen helyezze be a csavarkötésbe. Ezután csavarja fel kézzel a hollandi anyát, és húzza meg egy villáskulccsal (az első telepítésnél 1 ¼ fordulat szükséges 1/8 colnál nagyobb csővezetékknél és 3/4 fordulat szükséges 1/8 colos vagy kisebb csővezetékknél, az ismételt telepítésnél pedig 1/4 fordulat szükséges minden csővezetékknél).

A lefúvóvezetékot ugyanígy kell csatlakoztatni a lefúvószelephez. A kipufogó- és lefúvócsöveket NEM szabad összekötni, azokat biztonságosan a szabadba kell vezetni; ez vonatkozik a vezetéknek a biztonsági szelephez való csatlakoztatására is, ha van ilyen.

A gázpalackoknak a tehermentesítő állomáshoz való csatlakoztatásához szabványos csatlakozóspirálok és csatlakozótömlők (tartozékként kaphatók) szolgálnak.

A spirálvezetékot/csatlakozótömlőt mindig külön szállítjuk. A vezeték/tömlő helyes hozzárendelését mindig ellenőrizze. A palackcsatlakozás száma a csatlakozóanyába van beütve. A csatlakozóspirálokból/csatlakozótömlőkből csak egy-egy változat érhető el. Ez a tehermentesítő állomás bal és jobb oldalához való csatlakoztatásra alkalmas.

A csatlakozóspirál/csatlakozótömlő a tehermentesítő állomásra való felszereléséhez először távolítsa el a műanyag kupakot a csatlakozóspirál/csatlakozótömlő és a tehermentesítő állomás csatlakozómenetéről. Kérjük, ügyeljen arra, hogy a csatlakozóspirálhoz/csatlakozótömlőhöz mellékelt lapos tömítést helyezze be a hollandi anyába.

Ezután csavarja fel a hollandi anyát a tehermentesítő állomás bemeneténél lévő csatlakozómenetre - először kézzel, majd húzza meg egy villáskulccsal. Csatlakozótömlő használat esetén a karabineres biztonsági kötél alul az alapelembe akasztható.

A csatlakozóspirál/csatlakozótömlő gázpalackhoz való csatlakoztatásához a palackszelep és a hollandi anya menetének tökéletes állapotban kell lennie.

Minden egyes csatlakoztatásnál használjon új tömítést. Kizárólag a gyártó a használt gáztípusnak megfelelő csatlakozóspiráljai és csatlakozótömlői használhatók.

Ellenőrizze, hogy a lapos tömítések megfelelően ülnek-e a csatlakozóspirál vagy a csatlakozótömlő csatlakozócsonkjában. Ne használjon kulcshosszabbítót a meghúzáskor, különben a menet és a tömítés megsérülhet. Ez szívárgáshoz vezethet.

## 6.4. AZ ELSŐ ÜZEMBE HELYEZÉS ELŐFELTÉTELE

- A csőrendszerek vizsgálati jegyzőkönyvei a tömítettség, szükség esetén a nedvesség és a részecskék vonatkozásában rendelkezésre állnak.
- A termékgáz-vezetékek, az öblítógázvezetékek és a lefűvővezeték, valamint a vezetékek a biztonsági és/vagy visszacsapószelepeknél - ha vannak - csatlakoztatásra kerültek
- A termékgáz-vezetékben csak szabványos gáz van. (lásd az 1.2. pontot)
- Az üzembe helyezést csak az erre felhatalmazott szakképzett személyzet végezheti el.
- A védőruházatot az előírásoknak megfelelően kell viselni.
- Üzembe helyezés előtt készítsen elő szikramentes speciális szerszámot, és csak azt használja.
- Az első üzembe helyezés előtt ellenőrizze a típustáblán, hogy a jelen tehermentesítő állomás megfelel-e a tervezett felhasználáshoz (gáz, nyomás, anyag stb.)

## 6.5. ELSŐ ÜZEMBE HELYEZÉS

- Az összes követelmény teljesül a 6.4. pont szerint
- A második nyomásfokozat nyomásszabályozója tehermentesítésre került (zárva)
- A tehermentesítő állomás összes szelepe zárva van



### FIGYELEM!

- Feltétlenül ügyeljen arra, hogy a tehermentesítő állomás ne lépje túl a megengedett üzemi nyomást.
- Az üzembe helyezés előtt győződjön meg arról, hogy az üzembe helyezett nyomástartó berendezés senkit nem veszélyeztethet.

### 6.5.1. TERMÉKGÁZ-ÖBLÍTÉS (S300/S200/S60)

Az S300/S200/S60 öngáz-öblítéssel ellátott tehermentesítő állomások arra szolgálnak, hogy a palackcsere során a rendszerbe jutott légköri levegő eltávolítható legyen, és hogy a spirálvezeték vagy a csatlakozótömlő a palackcseréhez tehermentesíthető legyen. Győződjön meg róla, hogy egy lefűvővezeték csatlakoztatva van.

1. A folyamatgáz tisztító szelep zárva van, a billenőszelep az áramlás irányával keresztben van (2 nyílású szelep).
2. A nyomásszabályozó tehermentesítésre került (zárva).
3. Zárja be a bemeneti elzárószelepet, a piros jelölés látható (4 nyílású szelep).
4. Most a bemeneti elzárószelep csak a nyomáscsökkentő irányába záródik el. Az út a termékgáz-öblítés szelepe irányában szabad.
5. Lassan nyissa ki a palack szelepet.
6. A termékgáz a csatlakozóspirálba/csatlakozótömlőbe áramlik.
7. Újra zárja be a gázpalack szelepet.
8. Rövid időre nyissa ki a termékgáz-öblítés szelepet, és hagyja távozni a csatlakozóspirálban/csatlakozótömlőben lévő gázmennyiséget az öblítógáz-vezetéken keresztül.
9. Ezután azonnal zárja vissza a termékgáz-öblítés-szelepet.

A 4. – 9. LÉPÉSEKET LEGALÁBB 10X ISMÉTELJE MEG

### 6.5.2. IDEGENGÁZ-ÖBLÍTÉS (S203)

Az idegengáz-öblítéssel ellátott tehermentesítő állomások (S203) arra szolgálnak, hogy a palackcsere előtt a mérgező és/vagy maró gáz eltávolítható legyen, és hogy a spirálvezeték vagy a csatlakozótömlő a palackcseréhez tehermentesíthető legyen. Győződjön meg róla, hogy csatlakoztattak egy lefűvővezeték.

1. Ellenőrizze, hogy az öblítógáz bemenet, az öblítógáz kimenet, a termékgáz-bemenetek, a lefűvővezeték és adott esetben a biztonsági szelep megfelelően csatlakoztatva van.
2. Zárja el az összes szelepet, a piros jelöléseknek láthatónak kell lenniük (4 port).
3. Zárja be a nyomásszabályozót a kézikerek óramutató járásával ellentétes irányba történő elfordításával.
4. Nyissa ki a bemeneti öblítőszelepet.
5. Újra zárja el a bemeneti öblítőszelepet. Hagyja a gázt néhány másodpercig az alkatrészben szétáradni.
6. Röviden nyissa ki a kimeneti öblítőszelepet, és engedje ki az öblítógázt.
7. Újra zárja el a kimeneti öblítőszelepet.

A 4. – 7. LÉPÉSEKET A TÖKÉLETES ÖBLÍTÉSI EREDMÉNY ÉRDEKÉBEN LEGALÁBB 10-SZER ISMÉTELJE MEG.

### 6.5.3. A TERMÉKGÁZ-VEZETÉK FELTÖLTÉSE TERMÉKGÁZZAL

A következő vezetékrendszer üzembe helyezése és feltöltése előtt a tehermentesítő állomástól függően végezze el az öngázzal való öblítést (lásd a 6.5.1. pontot) vagy az idegen gázzal való öblítést (lásd a 6.5.2. pontot). Biztonsági okokból minden esetben javasoljuk egy lefűvóvezeték felszerelését.

1. Ellenőrizze, hogy a csatlakozóspirál/csatlakozótömlő, az öblítővezeték, a folyamatvezeték, a biztonsági vezeték és a lefűvóvezeték előírászerűen csatlakoztatásra került.
2. Zárja el a tehermentesítő állomás összes szelepét, a piros jelölés látható (4 port).
3. A nyomásszabályozó kézikerekét az óramutató járásával ellentétes irányba forgassa el ütközésig - az átjárás ezennel bezárult.
4. Lassan nyissa ki a palack szelepét
5. **L A S S A N** nyissa ki a bemeneti elzárószelepet
6. A tehermentesítő állomás üzembe helyezése ezennel megtörtént.
7. Ajánlatos naponta ellenőrizni a nyomásszabályozót és a nyomásokat.

*JAVASOLJUK, HOGY NAPONTA ELLENŐRIZZE AZ ELOSZTÓT ÉS A NYOMÁSMÉRŐKET*

### 6.5.4. A PALACK CSERÉJE



#### JEGYZET!

- Ügyeljen a MAK-értékek betartására (lásd a Veszélyes anyagok műszaki szabályai, TRGS 900).
1. Zárja el a gázpalack palackszelepét
  2. Zárja el a bemeneti elzárószelepet az üres gázpalack oldalán
  3. Nyissa ki a szelepet az öngáz-öblítéshez / kimeneti öblítőszelepet a csatlakozóspirál vagy -tömlő tehermentesítéséhez.
  4. S300/S200/S60: Végezze el az öngáz-öblítést (lásd a 6.5.1. pontot)  
S203: Végezze el az idegengáz-öblítést (lásd a 6.5.2. pontot)
  5. Zárja el a bemeneti elzárószelepet az üres palack oldalán
  6. Válassza le a csatlakozóspirált/csatlakozótömlőt az üres gázpalack palackszeleperől
  7. Csatlakoztasson új üzemigáz-palackot, ennek során MINDIG használjon új lapos tömítést az

*ISMÉTELT ÜZEMBE HELYEZÉS ELŐTT:*

8. S300/S200/S60: Végezze el az öngáz-öblítést (6.5.1.)  
S203: Végezze el az idegengáz-öblítést (6.5.2.).
9. Töltse meg a csatlakozóspirált/csatlakozótömlőt termékgázzal.

### 6.5.5. A BERENDEZÉS ÜZEMEN KÍVÜL HELYEZÉSE

A nyomásszabályozó kézikereknek az óramutató járásával ellentétes irányba történő elfordításával zárja el a tehermentesítő állomást.

A nyomásszabályozó lezárása nem garantálja a tömítettséget, a tömlőkön vagy a csatlakoztatott fogyasztókon keresztül gázszivárgás léphet fel.

Zárja el az üzemigáz-elzáró szelepet.

Biztonsági okokból mindig zárja el a palack szelepét is.

*AMIKOR A TEHERMENTESÍTŐ ÁLLOMÁS TELJESEN KISZERELÉSRE KERÜL, A KÖVETKEZŐKET TARTSA BE:*



#### VESZÉLY!!

- A nyomásszabályozót és a vezetékeket a gáznak a fogyasztón keresztül való elvezetésével
- A bemeneti és kimeneti nyomásmérők mutatóinak teljesen „0”-án kell állniuk.
- Szükség esetén végezze el az öngázzal vagy idegen gázzal történő tisztítást.
- Fogatosítsa megfelelő személyi védelmi intézkedéseket.
- Tartsa be a MAK-értékeket.
- Feltétlenül ügyeljen arra, hogy a tehermentesítő állomás ne lépje túl a megengedett üzemi nyomást.
- Az üzembe helyezés előtt győződjön meg arról, hogy a nyomástartó berendezés üzembe helyezéskor sem veszélyeztet.

## 6.6. ELLENŐRZÉSEK

- A nyomás alá helyezés után ellenőrizze a nyomásszabályozó működését.
- Ellenőrizze a lefúvószelep tömítettségét. A szelepnek buborékmentesnek kell lennie.
- Ellenőrizze az összes szelep tömítettségét. A szelepeknek buborékmentesnek kell lenniük.

## 7. ÜZEMELTETÉS

A 2.1. fejezet szerint a tehermentesítő állomás működése a szabványos gázokra került definiálásra.



### VIGYÁZAT!

- A kézi szelepeket mindig lassan és óvatosan nyissa ki, hogy elkerülje a rendszerben a nyomás okozta ütéseket, és hogy védje a többi alkatrészt.

HU

## 8. KARBANTARTÁS

### 8.1. BIZTONSÁGI UTASÍTÁSOK A KARBANTARTÁSHOZ



#### FIGYELEM!

- Karbantartási munkákat csak képzett, kioktatásban részesült és felhatalmazott személyzet végezhet. (lásd a 2.4. fejezetet).

### 8.2. KARBANTARTÁSI TERV

A következő szakaszok a készülék optimális és problémamentes működéséhez szükséges karbantartási műveleteket írják le. Ha a rendszeres ellenőrzés során fokozott kopást tapasztal, a tényleges kopásnak megfelelően rövidítse meg az előírt karbantartási időközöket.



#### ÉRTESÍTÉS!

- A karbantartási munkákkal és a karbantartási időközökkel kapcsolatos kérdésekkel forduljon az ügyfélszolgálatához.

### 8.3. KARBANTARTÁSI MUNKÁK

#### 8.3.1. TISZTÍTÁS



#### MEGJEGYZÉS!

- A tisztítószernek kompatibilisnek kell lenniük azokkal az anyagokkal, amelyekkel érintkeznek.

#### 8.3.2. A KARBANTARTÁS ELŐFELTÉTELE

*A KARBANTARTÁS MEGKEZDÉSE ELŐTT ELLENŐRIZZE, HOGY*

- A gázellátás meg van szakítva és biztosították.
- A nyomásmentesítő állomás nyomásmentes.
- A nyomásszabályozót nyomásmentesítették.
- A szelep zárva van.
- Nincs több termék-gáz a rendszerben.
- A rendszert inert gázzal átöblítették.

#### 8.3.3. SZÜKSÉGES KARBANTARTÁSI MUNKA

- A nyomáskijelzők kijelzési pontosságának ellenőrzése.
- Nyomáscsökkentő állomás, nyomásszabályozó, szelepek és nyomásjelzők: Ellenőrzés működés, állapot és jelölés vonatkozásában.
- A jelölés ellenőrzése.
- Korrózió ellenőrzése.
- Működés ellenőrzése.
- Végezze el a tömítettségvizsgálatot 12 órán át tartó, 1-szeres üzemi nyomáson.
- Az elkopott és meghibásodott alkatrészeket azonnal ki kell cserélni, ezzel a munkával minden esetben feljogosított szakvállalkozást bízjon meg.

- A szelepeket az ISO 10297 szabvány szerint tervezték. Ez magában foglal egy típusvizsgálatot, melynek során a szelepet 2000 ciklusig tartó élettartam-tesztnek vetették alá. 2000 ciklus után cserélje ki azokat a belső alkatrészeket, amelyek érintkeznek a közeggel; ezt a munkát mindig egy erre feljogosított szakvállalkozónak kell elvégeznie.
- Ha szivárgást vagy túlzott korróziót találnak a nyomáscsökkentő állomásokon/nyomásszabályozókon vagy szelepeken, ezeket is teljesen ki kell cserélni a következő lehetséges leválasztható csatlakozások között, ezt a munkát mindig egy erre feljogosított szakvállalkozónak kell elvégeznie.
- Az alkatrészek vagy csőszerelvények cseréje után a nyomáspróbákat újra el kell végezni és dokumentálni kell.

## 8.4. INTÉZKEDÉSEK A KARBANTARTÁS BEFEJEZÉSE UTÁN

A KARBANTARTÁSI MUNKÁK BEFEJEZÉSE UTÁN ÉS A NYOMÁSCSÖKKENTŐ ÁLLOMÁS, A NYOMÁSSZABÁLYOZÓ VAGY A SZELEP ISMÉTETT ÜZEMBE HELYEZÉSE ELŐTT VÉGEZZE EL A KÖVETKEZŐ LÉPÉSEKET:

1. Győződjön meg róla, hogy minden felhasznált szerszámot, anyagot és egyéb felszerelést eltávolítottak a munkaterületről.
2. Tisztítsa meg a munkaterületet, és távolítsa el a kiömlött anyagokat, pl. folyadékot, feldolgozóanyagokat és hasonlókat.
3. Győződjön meg róla, hogy a rendszer összes biztonsági berendezése megfelelően működik.

HU

## 9. ZAVAROK

A következő fejezet a hibák lehetséges okait és a hibák elhárításához szükséges teendőket ismerteti. Ha zavarok gyakrabban fordulnak elő, a karbantartási időközöket a tényleges terhelésnek megfelelően kell lerövidíteni. Olyan zavarok esetén, amelyek nem orvosolhatók a következő utasítások szerint, forduljon a gyártóhoz.

### 9.1. BIZTONSÁGI UTASÍTÁSOK A ZAVARELHÁRÍTÁSHOZ

Hiba esetén mindig zárja el a gázellátást, tehermentesítse a nyomásszabályozót, és zárja el a szelepeket. Soha ne végezzen karbantartási munkálatokat nyomás alatt lévő alkatrészeken.

*VISELKEDÉS ZAVAROK ESETÉN:*

1. Kapcsolja ki a gázellátást, és biztosítsa visszakapcsolás ellen.
2. Tehermentesítse a nyomásszabályozót, zárja el a szelepeket.
3. A zavarelhárítást csak szakképzett személyzet végezheti.
4. Állítsa vissza a készüléket kiindulási helyzetbe.

Leírás	Ok	Megoldás	Szelepek	Palacknyomás-szabályozó	Vezetéknomás-szabályozó	Tehermentesítő állomások
Nincs átfolyás (a bemeneti nyomásmérő nyomást mutat, a kimeneti nyomásmérő nem mutat nyomást)	Nyomás-szabályozó zárva	Lassan nyissa ki a nyomásszabályozót, zárja be az blítőszelepet		<input checked="" type="checkbox"/>	<input checked="" type="checkbox"/>	<input checked="" type="checkbox"/>
Nincs átfolyás (mindkét nyomásmérő nullát mutat)	Palackszelep zárva Üzemigáz-szelep zárva Nyomásszabályozó zárva Spirál/tömlő nincs csatlakoztatva	Üzembe helyezés a 6. pont szerint. Telepítés és első üzembe helyezés		<input checked="" type="checkbox"/>	<input checked="" type="checkbox"/>	<input checked="" type="checkbox"/>

Leírás	Ok	Megoldás	Szelepek	Palacknyomás-szabályozó	Veze-téknyomás-szabályozó	Tehe-rmentesítő állomások
Nincs át-folyás	Nyomás-szabályozó zárva	Lassan nyissa ki a nyomássza-bályozót	<input checked="" type="checkbox"/>			
Kilépő nyomás növekedik és a lefúvószelep kinyílik	Szívárgás a nyomásszabályozó ülésében	Javítás a gyártó által		<input checked="" type="checkbox"/>	<input checked="" type="checkbox"/>	<input checked="" type="checkbox"/>
A kilépő nyomás enyhe növekedése & a lefúvószelep nem nyílik ki	Belépő nyomás csökkenése	Nincs hiba, normál működési állapot		<input checked="" type="checkbox"/>	<input checked="" type="checkbox"/>	<input checked="" type="checkbox"/>
Kilépő nyomás enyhe növekedése	Az áramlási nyomás (átfolyással) és a torlónyomás (átfolyás nélkül) közötti különbség	Nincs hiba, normál működési állapot		<input checked="" type="checkbox"/>	<input checked="" type="checkbox"/>	<input checked="" type="checkbox"/>
Kilépő nyomás enyhe csökkenése	A torlónyomás (nincs átfolyás) és a folyatónyomás (átfolyással) közötti különbség	Nincs hiba, normál működési állapot		<input checked="" type="checkbox"/>	<input checked="" type="checkbox"/>	<input checked="" type="checkbox"/>
Kilépő nyomás erős csökkenése	A nyomásszabályozóhoz szükséges átfolyás túl magas	Új nyomásszabályozó kiválasztása a szükséges nyomás és áramlási sebesség függvényében		<input checked="" type="checkbox"/>	<input checked="" type="checkbox"/>	<input checked="" type="checkbox"/>
Kilépő nyomás erős csökkenése	Szívárgó termék-gáz-vezeték	Termékgáz-vezeték ellenőrzése		<input checked="" type="checkbox"/>	<input checked="" type="checkbox"/>	<input checked="" type="checkbox"/>



Leírás	Ok	Megoldás	Szelepek	Palacknyomás-szabályozó	Veze-téknyomás-szabályozó	Tehe-rmentesítő állomások
Túl magas kimeneti nyomás	Szabályozó helytelen beállítása	Nyomásszabályozó beállítása, ismételt beállítása, karbantartása		<input checked="" type="checkbox"/>	<input checked="" type="checkbox"/>	<input checked="" type="checkbox"/>
Az ellennyomás azonnal a leállásig emelkedik, vagy az ellennyomás lassan a beállított érték fölé emelkedik, és a lefúvószelep elzáródik	Az ülés szennyeződése vagy sérülése „növekedés”	Javítás a gyártó által		<input checked="" type="checkbox"/>	<input checked="" type="checkbox"/>	<input checked="" type="checkbox"/>
Zajok működés közben	A nyomásszabályozóhoz szükséges áramlás túl magas	Új nyomásszabályozó kiválasztása a szükséges nyomás és áramlási sebesség függvényében		<input checked="" type="checkbox"/>	<input checked="" type="checkbox"/>	<input checked="" type="checkbox"/>
A kézikerek elforgatása ellenére sem változik a szelepvezérlés	A kézikerek meghibásodott a túlzott nyomaték miatt, az orsó meghibásodott, a menet meghibásodott	Javítás a gyártó által	<input checked="" type="checkbox"/>	<input checked="" type="checkbox"/>	<input checked="" type="checkbox"/>	<input checked="" type="checkbox"/>
Nedvesség a nyomásszabályozón (NEM harmat, eső vagy hó)	A nyomásszabályozó a gáz tágulásával energiát von ki a környezetből	Nincs hiba, normál működési állapot		<input checked="" type="checkbox"/>	<input checked="" type="checkbox"/>	<input checked="" type="checkbox"/>

HU

Leírás	Ok	Megoldás	Szelepek	Palacknyomás-szabályozó	Veze-tékny-omás-szabály-ozó	Tehe-rmentesítő állomások
Jégképződés a nyomásszabályozón (NEM harmat, eső vagy hó)	A nyomásszabályozó a gáz tágulásával energiát von el a környezetből, a nyomás alatt álló gáztartályok korlátozott szállítási kapacitása, pl. N <sub>2</sub> O, CO <sub>2</sub> stb. esetén	Nincs hiba, normál működési állapot <b>FIGYELEM:</b> Ügyeljen a kontaktmanométer működőképességére, növelje a nyomás alatt álló gáztartályok számát		☑	☑	☑

Ez a táblázat nem a teljesség igényével készült. Ha bármilyen kérdése van vagy ha valami nem egyértelmű, kérjük, forduljon a gyártóhoz.

## 10. SZÉTSZERELÉS ÉS ÁRTALMATLANÍTÁS

Amikor a készülék elérte élettartamának végét, azt le kell szerelni és környezetbarát módon kell ártalmatlanítani.

### 10.1. BIZTONSÁGI UTASÍTÁSOK A SZÉTSZERELÉSHEZ ÉS ÁRTALMATLANÍTÁSHOZ



#### FIGYELEM!

- **Sérülésveszély a szakszerűtlen szétszerelés esetén!**
- Az eltárolt maradvány energiák, éles alkatrészek, a készülék hegyes részei és sarkai vagy a hegyes és éles szerszámok sérüléseket okozhatnak.
- A munka megkezdése előtt győződjön meg arról, hogy elegendő hely áll rendelkezésre.
- Óvatosan kezelje a nyitott, éles szélű alkatrészeket.
- Ügyeljen a rendre és a tisztaságra a munkahelyen!
- A szabadon heverő alkatrészek és a szétdobált szerszámok balesetveszélyesek.
- Az alkatrészeket szakszerűen szerelje le. Vegye figyelembe az alkatrészek részben nagy önsúlyát. Ha szükséges, használjon emelőberendezést.
- Rögzítse az alkatrészeket úgy, hogy azok ne zuhanjanak le, ill. ne boruljanak fel.
- Kétség esetén kérje a gyártó segítségét.

### 10.2. SZÉTSZERELÉS

#### A SZÉTSZERELÉS ELŐTT

Zárja el a tehermentesítő állomás második nyomásfokozata nyomásszabályozóját a kézikerek óramutató járásával ellentétes irányba történő elfordításával.

Tehermentesítse a tehermentesítő állomást, és győződjön meg róla, hogy nincs több termékgáz a tehermentesítő állomás belsejében.

Nyomásmentesítse a rendszert, és szükség esetén öblítse át inert gázzal.

Az állomás nagynyomású oldalát az öblítőgáz-szelepen keresztül tehermentesítse.

Változattól függően végezze el az öngázzal vagy idegen gázzal történő öblítést.

Távolítsa el az üzemi és segédanyagokat, valamint a feldolgozásból származó maradék anyagokat, és ártalmatlanítsa azokat környezetbarát módon.

Ezután tisztítsa meg megfelelően a részegységeket és az alkatrészeket, és szerelje szét azokat a vonatkozó helyi munkavédelmi és környezetvédelmi előírásoknak megfelelően.



## FIGYELEM!

- **Ne nyissa ki a rendszert, ha még mérgező és/vagy maró gáz van benne!**

### 10.3. ÁRTALMATLANÍTÁS

Amennyiben nem kötöttek szerződést a visszavételről vagy ártalmatlanításról, a szétszerelt alkatrészeket adja le újrahasznosítás céljából:

A fémhulladékat adja le a gyűjtőhelyen.

A műanyag elemeket adja le újrahasznosítás céljából.

A többi alkatrészt az anyagok fajtája szerint szétválogatva ártalmatlanítsa.

A REACH-rendelet 33. cikkével összhangban a GCE, s.r.o., mint felelős gyártó vállalja, hogy tájékoztatja minden ügyfelét, ha az anyagok 0,1%-ot vagy annál többet tartalmaznak a listán szereplő, különösen nagy aggodalomra okot adó anyagokból (SVHC).

A korpuszokhoz és egyéb sárgaréz alkatrészekhez leggyakrabban használt sárgaréz ötvözetek 2-3% ólmot (Pb) tartalmaznak (EC-szám: 231-468-6, CAS-szám: 7439-92-1). Normál használat során nem kerül ólom a gázba vagy a környezetbe. A termék élettartamának végén a termék ártalmatlanításával egy jóváhagyott fém-újrahasznosító vállalkozást kell megbízni, hogy az anyag hatékony, a környezetre és az egészségre minimális hatást gyakorló ártalmatlanítása biztosított legyen.

A mai napig nem áll rendelkezésünkre olyan információ, amely arra utalna, hogy a GCE termékek 0,1% feletti SVHC-koncentrációjú anyagokat tartalmaznának.

HU



## ÉRTESÍTÉS!

- **Környezetkárosítás veszélye a helytelen ártalmatlanítás következtében!**
- A helytelen ártalmatlanítás veszélyes lehet a környezetre.
- Az elektromos hulladék, elektronikai alkatrészek, kenőanyagok és egyéb segédanyagok ártalmatlanításával jóváhagyott szakvállalkozást kell megbízni.
- Kétség esetén a helyi hatóságtól vagy a jóváhagyott szakvállalkozásnál tájékozódjon a környezetkímélő ártalmatlanításról.

[www.linde.com](http://www.linde.com)

Ezek a termékek a Linde megbízásából készültek.

# CONTENIDO

- 1. INFORMACIÓN GENERAL ..... 112**
  - 1.1. INFORMACIÓN ACERCA DE ESTE MANUAL .....112
  - 1.2. INFORMACIÓN SOBRE LA ESTACIÓN DE RELAJACIÓN .....112
    - 1.2.1. S300/S200/S60.....113
    - 1.2.2. S203 .....113
  - 1.3. EXPLICACIÓN DE SÍMBOLOS .....113
  - 1.4. LIMITACIÓN DE RESPONSABILIDAD .....114
  - 1.5. PROTECCIÓN DE DERECHOS DE AUTOR .....114
  - 1.6. PIEZAS DE REPUESTO .....114
  - 1.7. DISPOSICIONES DE LA GARANTÍA.....115
  - 1.8. SERVICIO DE ATENCIÓN AL CLIENTE.....115
- 2. SEGURIDAD ..... 115**
  - 2.1. USO DEBIDO.....115
    - 2.1.1. CAMBIOS ESTRUCTURALES EN LA ESTACIÓN DE RELAJACIÓN.....115
  - 2.2. PELIGROS BÁSICOS .....115
  - 2.3. RESPONSABILIDAD DEL OPERADOR.....116
  - 2.4. REQUISITOS DEL PERSONAL .....117
    - 2.4.1. CUALIFICACIONES.....117
    - 2.4.2. PERSONAS NO AUTORIZADAS .....117
    - 2.4.3. INSTRUCCIÓN.....118
  - 2.5. EQUIPO DE PROTECCIÓN INDIVIDUAL.....118
  - 2.6. COMPORTAMIENTO EN CASO DE INCENDIO Y ACCIDENTE.....119
  - 2.7. PROTECCIÓN DEL MEDIO AMBIENTE .....119
  - 2.8. RÓTULOS.....119
    - 2.8.1. SÍMBOLOS DE OBLIGACIÓN .....119
    - 2.8.2. SÍMBOLOS DE PROHIBICIÓN .....119
    - 2.8.3. SÍMBOLOS DE ADVERTENCIA .....119
- 3. DATOS TÉCNICOS ..... 120**
  - 3.1. DIAGRAMA DE FLUJO – S300/S200/S60 ..... 120
  - 3.2. HOJA DE DIMENSIONES – S300/S200/S60 .....121
  - 3.3. DIAGRAMA DE FLUJO – S203.....122
  - 3.4. HOJA DE DIMENSIONES – S203 .....123
  - 3.5. DATOS GENERALES.....124
  - 3.6. VALORES DE CONEXIÓN.....124
  - 3.7. VALORES DE POTENCIA .....124
  - 3.8. CONDICIONES OPERATIVAS DEL ENTORNO .....124
- 4. ESTRUCTURA Y FUNCIONAMIENTO..... 125**
  - 4.1. ESTRUCTURA – S300/S200/S60.....125
  - 4.2. ESTRUCTURA – S203 .....125
  - 4.3. DESCRIPCIÓN BREVE .....125
- 5. TRANSPORTE, EMBALAJE Y ALMACENAMIENTO ..... 126**
  - 5.1. INDICACIONES DE SEGURIDAD PARA EL TRANSPORTE .....126
  - 5.2. INSPECCIÓN DE TRANSPORTE .....126
  - 5.3. EMBALAJE.....126
  - 5.4. ALMACENAMIENTO .....127
- 6. INSTALACIÓN Y PRIMERA PUESTA EN MARCHA..... 127**
  - 6.1. INDICACIONES DE SEGURIDAD PARA LA INSTALACIÓN Y PRIMERA PUESTA EN MARCHA.....127
  - 6.2. PREPARATIVOS .....127
  - 6.3. INSTALACIÓN .....127
  - 6.4. REQUISITOS PARA LA PRIMERA PUESTA EN MARCHA.....128
  - 6.5. PRIMERA PUESTA EN MARCHA .....128
    - 6.5.1. PURGA CON GAS DEL PROCESO (S300/S200/S60) .....129
    - 6.5.2. PURGA CON GAS EXTERNO (S203) .....129
    - 6.5.3. LLENAR EL CONDUCTO DE GAS DEL PROCESO CON GAS DEL PROCESO .....129
    - 6.5.4. CAMBIO DE BOTELLA .....130
    - 6.5.5. PUESTA FUERA DE SERVICIO DE LA PLANTA.....130
  - 6.6. EXÁMENES.....130

<b>7. FUNCIONAMIENTO.....</b>	<b>130</b>
<b>8. MANTENIMIENTO .....</b>	<b>131</b>
8.1. INDICACIONES DE SEGURIDAD PARA EL MANTENIMIENTO .....	131
8.2. PLAN DE MANTENIMIENTO .....	131
8.3. TRABAJOS DE MANTENIMIENTO.....	131
8.3.1. LIMPIEZA.....	131
8.3.2. REQUISITO PARA EL MANTENIMIENTO .....	131
8.3.3. MANTENIMIENTO NECESARIO .....	131
8.4. MEDIDAS DESPUÉS DEL MANTENIMIENTO .....	132
<b>9. AVERÍAS.....</b>	<b>132</b>
9.1. INDICACIONES DE SEGURIDAD PARA SOLUCIONAR AVERÍAS .....	132
<b>10. DEMONTAJE Y ELIMINACIÓN .....</b>	<b>135</b>
10.1. INDICACIONES DE SEGURIDA PARA EL DESMONTAJE Y LA ELIMINACIÓN .....	135
10.2. DESMONTAJE.....	135
10.3. ELIMINACIÓN .....	135

### 1. INFORMACIÓN GENERAL

#### 1.1. INFORMACIÓN ACERCA DE ESTE MANUAL

Este manual sirve para las estaciones de relajación del tipo:

- S300
- S203
- S200
- S60

Estas estaciones de relajación se usan para extraer gas y relajar recipientes de gas bajo presión. Se fijan de forma duradera a la pared y se conectan con tubos o líneas flexibles a los recipientes de gas bajo presión. Este manual permite manipular el aparato de forma segura y eficiente. Forma parte del aparato y debe estar siempre a mano cerca de este para que el personal pueda consultarlo. El personal debe leer atentamente y entender el manual antes de comenzar los trabajos. El requisito básico para trabajar de forma segura es respetar todas las indicaciones de seguridad e instrucciones de manipulación del manual. Además, serán de aplicación las disposiciones de prevención de accidentes locales y las disposiciones de seguridad generales para el ámbito de aplicación del aparato. Las ilustraciones en el manual sirven para facilitar la comprensión y pueden variar del modelo real.

ES

#### 1.2. INFORMACIÓN SOBRE LA ESTACIÓN DE RELAJACIÓN

Las estaciones de relajación de este tipo únicamente pueden utilizarse con el gas establecido como gas estándar. La presión de funcionamiento máxima para estas estaciones de relajación es de 300 bar. Las estaciones de relajación de una fase están formadas por válvulas y reguladores de presión con membrana metálica. Fabricadas y comprobadas según ISO7291/10297 incluida la prueba de consumo total de oxígeno.

Línea de producto	(Pureza 6.0   Latón cromado)	(Pureza 6.0   Acero inoxidable)
Con asiento <b>FKM</b> de la válvula de descarga	<ul style="list-style-type: none"> <li>• Gases compatibles (y sus mezclas):                             <ul style="list-style-type: none"> <li>• Alta pureza</li> <li>• Inertes</li> <li>• Inflamables</li> <li>• Comburentes</li> <li>• O<sub>2</sub></li> </ul> </li> <li>• Gases NO compatibles (y sus mezclas):                             <ul style="list-style-type: none"> <li>• Corrosivos</li> <li>• Venenosos</li> <li>• CO<sub>2</sub>, N<sub>2</sub>O</li> </ul> </li> </ul>	<ul style="list-style-type: none"> <li>• Gases compatibles (y sus mezclas):                             <ul style="list-style-type: none"> <li>• Alta pureza</li> <li>• Inertes</li> <li>• Inflamables</li> <li>• O<sub>2</sub> hasta 200 bares</li> <li>• Corrosivos</li> </ul> </li> <li>• Venenosos (consultar en caso de duda)</li> <li>• Gases NO compatibles (y sus mezclas):                             <ul style="list-style-type: none"> <li>• O<sub>2</sub> por encima de 200 bar</li> <li>• CO<sub>2</sub>, N<sub>2</sub>O</li> <li>• NH<sub>3</sub>, SO<sub>2</sub>, H<sub>2</sub>S</li> </ul> </li> </ul>

<p>Con asiento <b>EPDM</b> de la válvula de descarga</p>	<ul style="list-style-type: none"> <li>• Gases compatibles (y sus mezclas):             <ul style="list-style-type: none"> <li>• Alta pureza</li> <li>• Inertes</li> <li>• Inflamables</li> <li>• Comburentes</li> <li>• CO<sub>2</sub>, N<sub>2</sub>O</li> </ul> </li> <li>• Gases NO compatibles (y sus mezclas):             <ul style="list-style-type: none"> <li>• Corrosivos</li> <li>• Venenosos</li> <li>• O<sub>2</sub></li> </ul> </li> </ul> <p>(proporción superior al 21 %)</p> <ul style="list-style-type: none"> <li>• Hidrocarburos</li> </ul>	<ul style="list-style-type: none"> <li>• Gases compatibles (y sus mezclas):             <ul style="list-style-type: none"> <li>• Alta pureza</li> <li>• Inertes</li> <li>• Inflamables</li> <li>• Comburentes</li> <li>• Corrosivos</li> </ul> </li> <li>(consultar en caso de duda )             <ul style="list-style-type: none"> <li>• Venenosos</li> </ul> </li> <li>(consultar en caso de duda )             <ul style="list-style-type: none"> <li>• CO<sub>2</sub>, N<sub>2</sub>O</li> <li>• NH<sub>3</sub>, SO<sub>2</sub>, H<sub>2</sub>S</li> </ul> </li> <li>• Gases NO compatibles (y sus mezclas):             <ul style="list-style-type: none"> <li>• O<sub>2</sub></li> </ul> </li> </ul> <p>(proporción superior al 21 %)</p> <ul style="list-style-type: none"> <li>• Hidrocarburos</li> </ul>
----------------------------------------------------------	------------------------------------------------------------------------------------------------------------------------------------------------------------------------------------------------------------------------------------------------------------------------------------------------------------------------------------------------------------------------------------------------------------------------------------------------------------------------------------------------------------------------------------------------------------------	--------------------------------------------------------------------------------------------------------------------------------------------------------------------------------------------------------------------------------------------------------------------------------------------------------------------------------------------------------------------------------------------------------------------------------------------------------------------------------------------------------------------------------------------------------------------------------------------------------------------------------------------------------------------------------------------------------------------------------------------------------------------------------------------------------------------

Esta tabla no pretende ser completa. Si tiene preguntas o dudas, consulte al fabricante.

### 1.2.1. S300/S200/S60

Esta estación de relajación está disponible en latón cromado y en acero inoxidable. Está formada por los componentes siguientes:

- Regulador de presión con manómetro de entrada y salida
- Válvula de purga para purgado con gas del proceso y válvulas de cierre de 4 puertos en la entrada
- Válvula de escape
- Placa delantera y placa base

ADICIONAL

- S: Válvula de seguridad en la salida
- C: Válvulas antirretorno en las entradas
- U: Válvula de seguridad en la salida y válvulas antirretorno en las entradas

### 1.2.2. S203

Esta estación de relajación está disponible solo en acero inoxidable. Está formada por los componentes siguientes:

- Regulador de presión con manómetro de presión de entrada y salida
- Dos válvulas de 4 puertos y una válvula de 2 puertos para purgar con gas inerte en las entradas
- Válvula de escape
- Placa frontal y placa base

ADICIONAL

- S: Válvula de seguridad en la salida

## 1.3. EXPLICACIÓN DE SÍMBOLOS

### INDICACIONES DE SEGURIDAD

Las indicaciones de seguridad en este manual aparecen identificadas con símbolos. Van presentadas por términos indicativos que expresan el alcance del peligro.



#### PELIGRO!

Esta combinación de símbolo y término indica una situación inminente peligrosa que puede causar la muerte o lesiones de gravedad si no se evita.



#### ADVERTENCIA!

Esta combinación de símbolo y término indica una situación posiblemente peligrosa que puede causar la muerte o lesiones de gravedad si no se evita.



#### CUIDADO!

Esta combinación de símbolo y término indica una situación posiblemente peligrosa que puede causar lesiones de gravedad leve o moderada si no se evita.



#### AVISO!

Esta combinación de símbolo y término indica una situación posiblemente peligrosa que puede causar daños materiales o al medio ambiente si no se evita.



#### CONSEJOS Y RECOMENDACIONES

Este símbolo destaca consejos y recomendaciones útiles, así como información para garantizar un funcionamiento eficiente y sin averías.

### INDICACIONES ESPECIALES

Para llamar la atención sobre peligros especiales se utilizan los siguientes símbolos.



#### PELIGRO!

Esta combinación de símbolo y término indica una situación inminente peligrosa debida a la corriente eléctrica. No respetar una indicación así señalizada implica lesiones de gravedad o mortales.

ES

## 1.4. LIMITACIÓN DE RESPONSABILIDAD

Todos los datos e indicaciones de este manual se han elaborado en observancia de las normas y disposiciones aplicables, la última tecnología y los conocimientos y la experiencia adquiridos a lo largo de los años. El fabricante no asumirá ninguna responsabilidad por daños en los casos siguientes:

- Inobservancia de este manual
- Uso distinto al determinado como uso previsto
- Uso de personal no cualificado
- Cambios técnicos y constructivos por cuenta propia
- Uso de piezas de repuesto no autorizadas
- Operación del aparato bajo presión con dispositivos de seguridad defectuosos o mal instalados, o dispositivos de protección y seguridad en mal estado de funcionamiento
- Supervisión insuficiente de las piezas del equipo, conexiones roscadas y juntas expuesta a desgaste
- Reparaciones llevadas a cabo de forma indebida
- Superar o no alcanzar el rango de temperatura indicado en la ficha de datos durante el funcionamiento o el almacenamiento
- Catástrofes causadas por cuerpos extraños y fuerza mayor

El volumen de suministro real puede variar de las explicaciones e ilustraciones aquí recogidas en el caso de modelos especiales, opciones de pedido adicionales o con motivo de avances técnicos. Son de aplicación las obligaciones acordadas en el contrato de suministro, los términos y condiciones, así como las condiciones de suministro del fabricante y las normativas legales vigentes en el momento de celebración del contrato.

## 1.5. PROTECCIÓN DE DERECHOS DE AUTOR

El contenido de este manual está protegido por derechos de autor. Su uso está permitido en el marco del uso del aparato. Queda prohibido cualquier otro uso sin el consentimiento escrito del fabricante.

## 1.6. PIEZAS DE REPUESTO



#### ADVERTENCIA!

- Riesgo de lesiones por el uso de piezas de repuesto inadecuadas.
- Usar piezas de repuesto inadecuadas o incorrectas puede resultar en peligros para el personal, así como daños, mal funcionamiento o fallos totales.
- Utilice solo piezas de repuesto originales del fabricante o autorizadas por este.
- Consulte al fabricante en caso de dudas.



#### PÉRDIDA DE GARANTÍA!

- La garantía del fabricante quedará anulada en caso de usar piezas de repuesto no autorizadas.



## 1.7. DISPOSICIONES DE LA GARANTÍA

En principio, son de aplicación nuestras «Condiciones generales de compraventa y suministro». Estas estarán a disposición del cliente a más tardar tras la firma del contrato.

## 1.8. SERVICIO DE ATENCIÓN AL CLIENTE

Estamos siempre interesados en informaciones y experiencias resultantes del uso y que pueden ser de gran valor para mejorar nuestros productos.

# 2. SEGURIDAD

Este apartado ofrece un resumen de todos los aspectos de seguridad importantes para proteger las personas y garantizar un funcionamiento seguro y sin averías. Encontrará más indicaciones de seguridad relativas a cada una de las tareas en los apartados sobre cada una de las etapas.

## 2.1. USO DEBIDO

Las estaciones de relajación solo se deben utilizar con los gases estándar y presiones indicados en observancia de las temperaturas indicadas. El caudal nominal es de 20 m<sup>3</sup>/h (aire comprimido). Forma parte del uso previsto respetar todos los datos e indicaciones de este manual, los trabajos de inspección de mantenimiento, así como la placa de características y las hojas de datos. Cualquier uso que vaya más allá del uso previsto se considerará un uso incorrecto.

ES



### ADVERTENCIA!

- **¡Peligro en caso de mal uso!**
- Usar de forma incorrecta las estaciones de relajación de dar lugar a situaciones peligrosas.
- No use nunca las estaciones de relajación con líquidos.
- Nunca conecte fuentes con presiones de entrada más altas que las previstas para el panel de control de presión correspondiente.

### 2.1.1. CAMBIOS ESTRUCTURALES EN LA ESTACIÓN DE RELAJACIÓN

No está permitido realizar cambios, agregar o modificar elementos en el regulador de presión para bombonas sin el permiso por escrito del fabricante.

Las estaciones de relajación en mal estado se deben sustituir de inmediato

Limpieza de los aparatos de gas y eliminación de residuos

Las estaciones de relajación para bombonas utilizados pendientes de reparación se deben purgar con un gas inerte (nitrógeno).

Aparición de ruido

En algunos casos, la combinación de condiciones desfavorables como, por ejemplo, el caudal y el rango de presión, pero también el tipo de gas, puede dar lugar a la aparición de ruido. En esos casos, póngase en contacto con el fabricante.

## 2.2. PELIGROS BÁSICOS

En el siguiente apartado se nombran los peligros residuales que pueden darse a pesar de un uso adecuado. Con objeto de reducir los riesgos de daños personales y materiales y evitar situaciones peligrosas, se deben respetar las indicaciones de seguridad aquí mencionadas y las que aparecen en los demás apartados de este manual.



### PELIGRO!

- **Los gases pueden ser peligrosos para la vida**
- Los gases pueden desplazar el aire y, con ello, el oxígeno contenido en este. Esto puede dar ocasionar la muerte por asfixia. El oxígeno da lugar a una atmósfera muy oxidante. Los gases inflamables pueden formar una atmósfera explosiva.

POR TANTO:

- ¡Asegure una ventilación suficiente!
- La instalación debe correr por cuenta de una empresa certificada
- Respete las disposiciones ATEX



#### ATENCIÓN!

- **Peligros que pueden derivarse del entorno**

La condensación o heladas pueden ocasionar defectos en el aparato.

*POR TANTO:*

- ¡Respete los rangos de temperatura!
- Proteja el aparato contra la entrada de líquidos
- Proteja el aparato contra la entrada de polvo
- Monte un sistema de protección contra las inclemencias meteorológicas
- Instale de forma adecuada la conexión a tierra



#### ADVERTENCIA!

- **Riesgo de accidente causado por el uso de aceite y grasa**

No está permitido usar aceites y grasas en el sistema de regulación de presión. Estos son muy inflamables y reaccionan con virulencia con algunos gases comprimidos.

*POR TANTO:*

- ¡No utilice en ningún caso aceite ni grasa!

ES



#### ADVERTENCIA!

- **Riesgo de accidente causado por la energía acumulada en el sistema**

Una manipulación indebida puede generar movimientos incontrolados de las piezas bajo presión o componentes de estas, y causar lesiones graves o mortales. Una manipulación indebida puede causar la salida de gas de las piezas bajo presión o componentes de estas y causar lesiones graves o mortales.

*ANTES DE COMENZAR CUALQUIER TRABAJO CON PIEZAS BAJO PRESIÓN:*

- La instalación debe correr por cuenta de una empresa certificada
- Lleve gafas de protección
- Lleve protección auditiva
- Asegúrese de que el sistema no esté bajo presión
- Asegúrese de que no haya ninguna energía más almacenada en el sistema
- Asegúrese de que no pueda escapar ningún gas
- Asegúrese de que el personal formado sustituya sin demora las piezas defectuosas



#### ADVERTENCIA!

- **¡Peligro de accidente!**

Una instalación incorrecta puede dar lugar a lesiones graves o mortales.

*POR TANTO:*

- Asegure los aparatos frente a caídas durante la instalación
- No arroje los aparatos

Las piezas bajo presión se deben usar solo para el fin previsto.

Disponga el sistema en un estado seguro en caso de daño mecánico de las tuberías (cierre la zona afectada).

Las averías que puedan afectar a la seguridad se deben solucionar de inmediato por personal cualificado o el fabricante.

En particular, los gases suponen un riesgo de fallo en el regulador de presión. Una señal de ello es la ausencia de caudal de gas tras el regulador de presión o un incremento súbito de presión secundaria. En caso de fallo en el regulador de presión se debe poner el sistema fuera de servicio de inmediato. Informe de inmediato a la empresa de mantenimiento responsable. No cierre los conductos de descarga.

## 2.3. RESPONSABILIDAD DEL OPERADOR

### *OPERADOR*

El operador es la persona que opera el aparato con fines comerciales o económicos, o cede a un tercero el uso y asume durante el funcionamiento la responsabilidad legal productiva para la protección del usuario, del personal o terceros.

### *OBLIGACIONES DEL OPERADOR*

El aparato se utiliza en entornos comerciales. El operador del aparato está sujeto, por tanto, a las obligaciones legales sobre seguridad laboral.

Además de las indicaciones de seguridad de este manual se deben respetar las disposiciones de seguridad, prevención de accidentes y protección medioambiental del ámbito de uso del aparato.

*ES DE APLICACIÓN, EN PARTICULAR, LO SIGUIENTE:*

- El operador debe informarse acerca de las disposiciones de protección laboral aplicables y determinar por medio de una valoración de peligros los peligros adicionales que puedan derivarse de las condiciones laborales particulares del lugar de uso del aparato. Estos se deben implementar en forma de instrucciones operativas para el funcionamiento del aparato.
- Mientras se use el aparato, el operador debe comprobar si las instrucciones operativas que ha elaborado se corresponden con la versión actual de normas y, en caso necesario, adaptarlas.
- El operador debe regular y fijar las responsabilidades para la instalación, la operación, la solución de averías, el mantenimiento y la limpieza de forma clara.
- El operador debe garantizar que todas las personas que manipulen en aparato hayan leído y comprendido las instrucciones. Además, debe instruir al personal con regularidad e informarlo acerca de los peligros.
- El operador debe facilitar al personal el equipo de protección necesario e indicar de forma vinculante llevar dicho equipo.

Además, el operador es responsable de que se garantice en todo momento la plena fiabilidad técnica del sistema.

*POR LO TANTO, SE APLICA LO SIGUIENTE:*

- El operador debe garantizar el cumplimiento de los intervalos de mantenimiento especificados en este manual.
- El operador debe asegurarse de que todos los dispositivos de seguridad se comprueban regularmente para comprobar su fiabilidad funcional y su integridad.

ES

## 2.4. REQUISITOS DEL PERSONAL

### 2.4.1. CUALIFICACIONES

Las distintas tareas descritas en este manual representan diversas exigencias en lo que a la cualificación del personal encargado con estas tareas se refiere.



#### **¡ADVERTENCIA!**

- **Peligro por cualificación insuficiente del personal**
- Las personas con una cualificación insuficiente no pueden estimar los riesgos relacionados con la manipulación del aparato y pueden exponerse a sí mismos y a terceros a lesiones graves o mortales.
- Por ese motivo, todos los trabajos deben ser realizados únicamente por personal cualificado
- No deje que las personas sin cualificación se acerquen a la zona de trabajo.

No importa para qué trabajo: solo están permitidas las personas de las que se prevé sean capaces de realizarlo de forma fiable. No están autorizadas las personas cuya capacidad de reacción esté afectada por, p. ej., drogas, alcohol o medicamentos.

En este manual se mencionan las cualificaciones siguientes de las personas para las distintas tareas:

#### *INGENIERO DE TECNOLOGÍA DE TRATAMIENTO DE GAS*

Cuenta con formación especializada, las habilidades, la experiencia y los conocimientos relativos a las normas y directrices para trabajar en sistemas de regulación de presión y detectar posibles riesgos. Los ingenieros de tecnología de tratamiento de gas están especialmente formados en el tipo de naves de producción en cuestión y los estándares y directivas concretos.

#### *TÉCNICO*

Cuenta con formación especializada, las habilidades y la experiencia relativas a las normas y directrices para trabajar en sistemas de regulación de presión y detectar posibles riesgos.

### 2.4.2. PERSONAS NO AUTORIZADAS



#### **¡PELIGRO!**

- **Peligro para la vida para personas no autorizadas por peligros en la zona de trabajo y de peligro**
- Las personas no autorizadas que no satisfagan los requisitos aquí descritos desconocen los peligros en la zona de trabajo. Esto implica para dichas personas un peligro de lesiones graves y muerte.
- Mantenga a las personas no autorizadas alejadas de la zona de trabajo y de peligro
- En caso de duda, hable con la persona e indíquela que abandone la zona de trabajo y de peligro
- Interrumpa los trabajos mientras haya personas no autorizadas en la zona de trabajo y de peligro

### 2.4.3. INSTRUCCIÓN

El operador debe capacitar al personal con regularidad. A fin de facilitar el seguimiento, se deben elaborar un protocolo de capacitación que deberá incluir, como mínimo:

- Fecha de la capacitación
- Nombre de las personas que asisten a la capacitación
- Contenido de la capacitación
- Nombre del encargado de la capacitación
- Firmas de las personas que asisten e imparten la capacitación

### 2.5. EQUIPO DE PROTECCIÓN INDIVIDUAL

El equipo de protección individual sirve para proteger a las personas de riesgos para la seguridad y la salud durante el trabajo.

Durante los distintos trabajos en y junto al aparato, el personal deberá llevar el equipo de protección individual indicado en cada uno de los apartados de este manual.

ES



#### EQUIPO DE RESPIRACIÓN AUTÓNOMO

Protege de gases, vapores, polvo y sustancias similares nocivas. Se deben usar equipos de protección como los respiradores con suministro de aire de presión positiva cuando no sea posible garantizar un nivel de oxígeno superior al 17 % en el aire ambiental o no se pueda descartar que el nivel de sustancias nocivas en el aire ambiental no supere el umbral permitido. Solo el personal especialmente instruido puede llevar equipos de respiración autónomos.



#### EQUIPO DE RESPIRACIÓN AUTÓNOMO

Protege de gases, vapores, polvo y sustancias similares nocivas. Se deben usar equipos de protección cuando no sea posible descartar que el nivel de sustancias nocivas en el aire ambiental no supere el umbral permitido. Los equipos de respiración no autónomos solo se pueden emplear cuando pueda garantizarse que el nivel de oxígeno en el aire es superior al 17 %.



#### GAFAS DE PROTECCIÓN

Protegen de piezas y gotas disparadas.



#### GUANTES RESISTENTES A SUSTANCIAS QUÍMICAS

Protege las manos de sustancias agresivas. Se debe prestar atención a la estanqueidad del guante. Elimine los guantes debidamente después de usarlos.



#### GUANTES PROTECTORES

Protección de las manos contra las influencias mecánicas y las superficies calientes y frías.



#### LLEVAR PROTECCIÓN AUDITIVA

Protege los oídos de ruidos altos y previene los traumas auditivos.

## 2.6. COMPORTAMIENTO EN CASO DE INCENDIO Y ACCIDENTE

### MEDIDAS DE PREVENCIÓN

- ¡Esté siempre preparado para los incendios y accidentes!
- Mantenga los dispositivos de primeros auxilios (botiquines, mantas, etc.) y extintores en buen estado de funcionamiento y a mano.
- Familiarice al personal con los dispositivos de notificación de accidentes, primeros auxilios y rescate.
- Mantenga las vías de acceso para los vehículos de rescate libres.

### MEDIDAS EN CASO DE INCENDIO Y ACCIDENTE

- Retire a las personas de la zona de peligro cuando no exista ningún riesgo para su propia salud.
- En caso necesario, ponga en marcha las medidas de primeros auxilios.
- Avise a los bomberos o al servicio de rescate.
- En caso de incendio: Si no supone ningún riesgo para su propia salud, utilice los extintores para apagar el incendio hasta que lleguen los bomberos.
- Informe a los responsables en el lugar de uso.
- Deje libres las vías de acceso para los vehículos de rescate.
- Atienda a los vehículos de rescate.

## 2.7. PROTECCIÓN DEL MEDIO AMBIENTE



### ¡NOTA!

- **Peligro para el medio ambiente por una manipulación indebida de sustancias peligrosas**
- Una manipulación incorrecta de sustancias peligrosas para el medio ambiente, en particular, una eliminación indebida, puede implicar daños importantes para el medio ambiente.
- Respete en todo momento las indicaciones de manipulación y eliminación de sustancias peligrosas para el medio ambiente.
- Si, por accidente, llegan sustancias peligrosas de este tipo al entorno, adopte medidas adecuadas de inmediato. En caso de duda, informe a la autoridad municipal acerca de los daños y consulte qué medidas deben adoptarse.

## 2.8. RÓTULOS



### ¡ADVERTENCIA!

- **Peligro causado por rótulos ilegibles**
- Con el paso del tiempo, los adhesivos y los rótulos se pueden manchar o dejar de ser legibles, lo que impide reconocer los peligros y actuar de acuerdo con las indicaciones de uso, lo que supone un riesgo de lesiones.
- Mantenga todas las indicaciones de seguridad, advertencias y de uso siempre en buen estado.
- Sustituya sin demora los rótulos o adhesivos dañados.

### 2.8.1. SÍMBOLOS DE OBLIGACIÓN

- No hay símbolos

### 2.8.2. SÍMBOLOS DE PROHIBICIÓN

- No hay símbolos

### 2.8.3. SÍMBOLOS DE ADVERTENCIA



ADVERTENCIA POR BOMBONAS  
DE GAS ADVERTENCIA POR  
ATMÓSFERAS



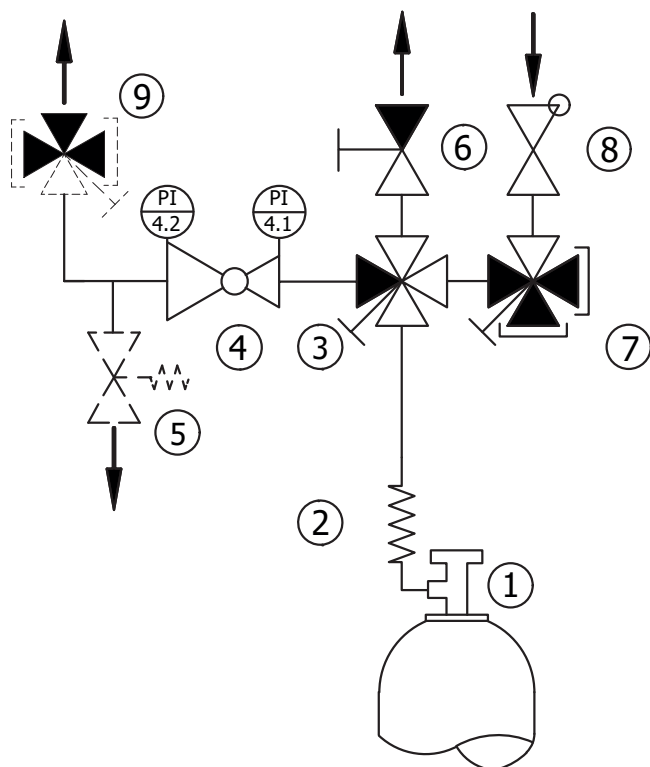
EXPLOSIVAS



ADVERTENCIA POR  
SUSTANCIAS PELIGROSAS O  
CORROSIVAS

### 3. DATOS TÉCNICOS

#### 3.1. DIAGRAMA DE FLUJO – S300/S200/S60

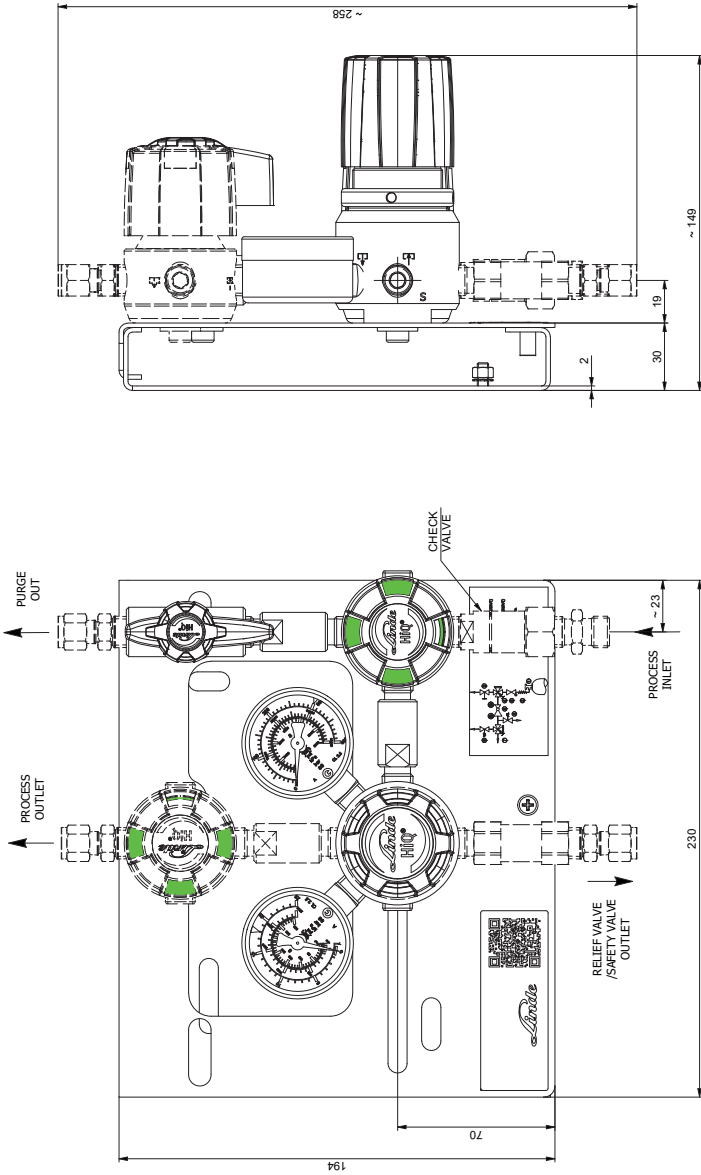


ES

- 1 – CILINDRO DE GAS
- 2 – BOBINA
- 3 – VÁLVULA DE CIERRE (3XENTRADA, 1XSALIDA)
- 4 – REGULADOR DE PRESIÓN CON MANÓMETRO DE ENTRADA/SALIDA
- 5 – VÁLVULA DE ALIVIO/VÁLVULA DE SEGURIDAD, (OPC.)
- 6 – VÁLVULA DE SALIDA DE PURGA
- 7 – VÁLVULA DE ENTRADA DE PURGAV (1XENTRADA, 3XSALIDA)
- 8 – VÁLVULA DE RETENCIÓN
- 9 – VÁLVULA DE CORTE (1XENTRADA, 3XSALIDA); (OPC.)

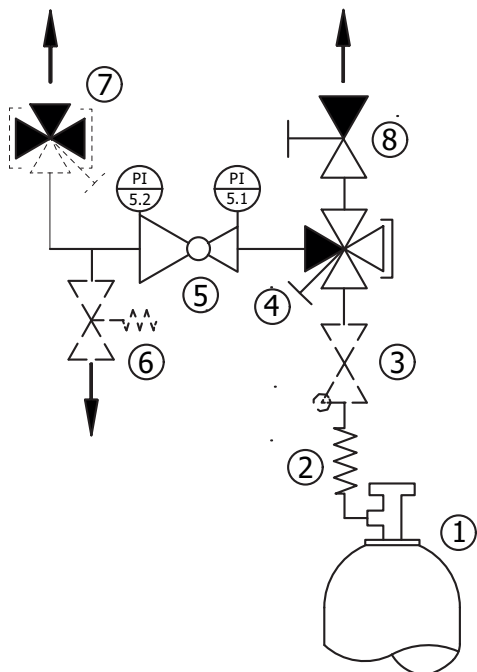
Opciones marcadas como línea de puntos

### 3.2. HOJA DE DIMENSIONES – S300/S200/S60



ES

### 3.3. DIAGRAMA DE FLUJO – S203



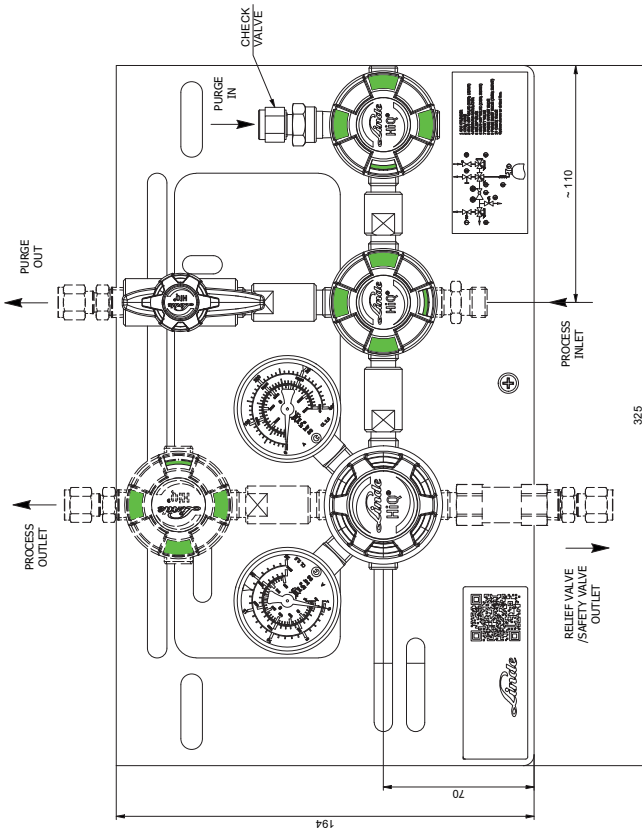
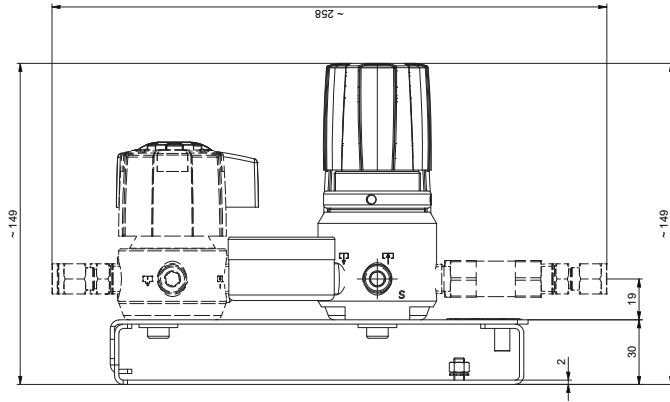
ES

- 1 – CILINDRO DE GAS
- 2 – BOBINA
- 3 – VÁLVULA DE RETENCIÓN (OPC.)
- 4 – VÁLVULA DE CIERRE (3XENTRADA, 1XSALIDA)
- 5 – REGULADOR DE PRESIÓN CON MANÓMETRO DE ENTRADA/SALIDA
- 6 – VÁLVULA DE ALIVIO/VÁLVULA DE SEGURIDAD, (OPC.)
- 7 – VÁLVULA DE CIERRE (1 ENTRADA, 3 SALIDAS), (OPC.)
- 8 – VÁLVULA DE SALIDA DE PURGA

Opciones mostradas como una línea de puntos



### 3.4. HOJA DE DIMENSIONES – S203



ES

### 3.5. DATOS GENERALES

Datos	S300/S200/S60-BC	S300/S200/S60-SS
Peso máx.[kg]	5,25	8,57
Longitud [mm]	230	230
Anchura [mm]	150	150
Altura [mm]	194	194

Datos	S203-SS
Peso máx.[kg]	6,97
Longitud [mm]	325
Anchura [mm]	150
Altura [mm]	194

ES

### 3.6. VALORES DE CONEXIÓN

Datos	Valor	Unidad
Entrada	NPT hembra de 1/4" Varios adaptadores disponibles	métrico pulgadas
Salida	1/8", 1/4", 3/8", 1/2" 3, 6, 8, 10, 12	Anillos opresores pulgadas Anillos opresores mm
Válvula de escape / válvula de purga si la hubiera	1/4", 3/8", 1/2" 6, 8, 10, 12	Anillos opresores pulgadas Anillos opresores mm
Válvula de seguridad	NPT 1/2" female	pulgadas

### 3.7. VALORES DE POTENCIA

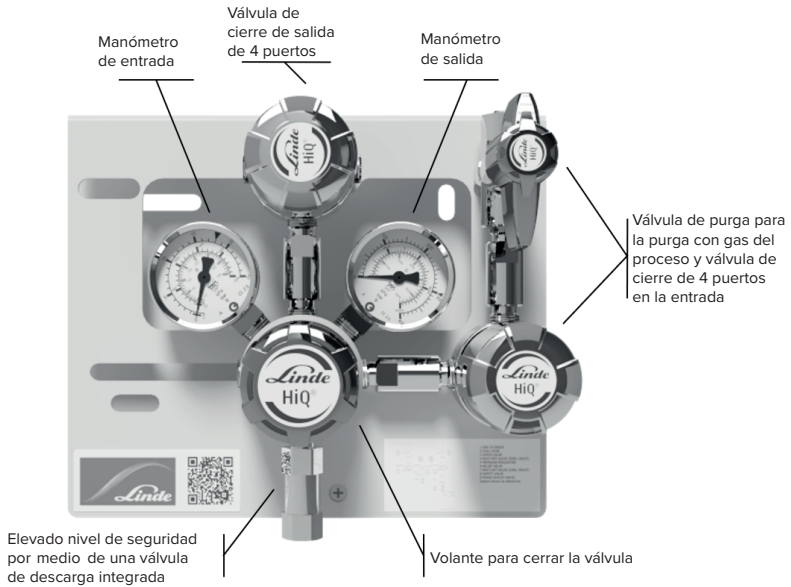
Datos	Valor	Unidad
Caudal nominal	20 (aire comprimido)	m³/h
Presión de entrada (máx.)	S300: 300 S203: 200 S200: 200 S60: 60	bar
Presión de presión (máx.)	200	bar

### 3.8. CONDICIONES OPERATIVAS DEL ENTORNO

Datos	Valor	Unidad
Rango de temperatura	-20 till +60	°C
Humedad ambiental relativa (máx.)	98	%

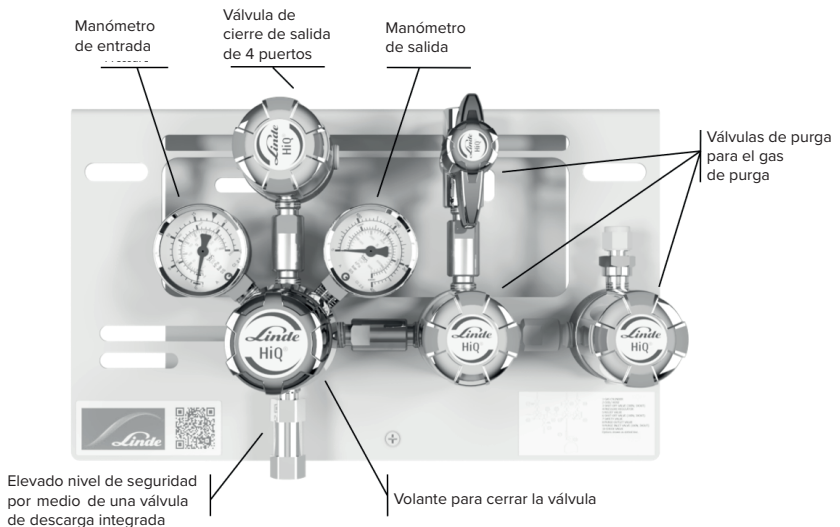
## 4. ESTRUCTURA Y FUNCIONAMIENTO

### 4.1. ESTRUCTURA – S300/S200/S60



ES

### 4.2. ESTRUCTURA – S203



### 4.3. DESCRIPCIÓN BREVE

Con la estación de relajación del tipo **S300/S200/S60-BC...**(material: latón cromado) se relaja un gas o una mezcla de gases industriales, no venenosos ni corrosivos almacenados en un recipiente o conjunto de recipientes para gas a presión bajo sobrepresión de una presión máxima de hasta 300 bar a una presión en tubería (3 bar, 6 bar, 10 bar, 14 bar, 28 bar, 50 bar, 100 bar, 200 bar).

Con la estación de relajación del tipo **S300/S200/S60/S203-SS...**(material: acero inoxidable) se relaja un gas o una mezcla de gases industriales, no venenosos ni corrosivos almacenados en un recipiente o conjunto de recipientes para gas a presión bajo sobrepresión de una presión máxima de hasta 300 bar a una presión en tubería (3 bar, 6 bar, 10 bar, 14 bar, 28 bar, 50 bar, 100 bar, 200 bar). Una válvula de escape en el reductor de presión de la estación garantiza el rango de presión secundaria contra incrementos no permitidos de presión causados por fugas en el asiento del reductor. Se pueden agregar válvulas de seguridad o anti-retorno.

El manómetro de tubo Bourdon muestra la presión principal y secundaria real en el reductor de presión de la estación. Es posible utilizar manómetros de contacto tanto en la zona de presión principal como secundaria del reductor de presión. Si la estación cuenta con un sistema de purga con gas del sistema, es posible purgar y eliminar posibles impurezas de las zonas de alta presión de la estación antes de ponerla en marcha. Además, este sistema permite descargar las zonas de alta presión de la estación antes de cambiar la bombona. Si la estación tiene un sistema de purga con gas externo (A209), se pueden purgar con gas inerte las zonas de alta presión de la estación antes de ponerla en marcha y asegurar así la seguridad para cambiar la bombona o realizar tareas de mantenimiento. La versión con purga con gas externo solo está disponible en acero inoxidable. Todos los sistemas descritos arriba están fijados sobre una consola conjunta de acero inoxidable. Las dimensiones suficientes de esta consola ofrecen a todos los componentes de la estación una protección suficiente frente a daños accidentales durante el transporte en el paquete y una vez montadas. El diseño separado de la consola permite fijarla de forma sencilla con poco peso. Una abertura en la placa frontal de la consola permite sustituir los manómetros sin desmontarla de la estación y, con ello, sin desmontar el sistema de suministro. En la placa base hay, a cada lado de la estación, un orificio para fijar con mosquetones las mangueras de conexión de la bombona-. La conexión de la estación a la conexión equipotencial local se puede realizar en uno de los tornillos provistos para ello en la placa base de la consola. El desarrollo, la fabricación y la comprobación de la producción de los sistemas arriba mencionados se ha efectuado en observancia de los estándares siguientes:

- Reductor de presión - ISO 7291
- Válvulas- ISO 10297
- Manómetro EN 837-1
- Protección mecánica frente a explosiones de la estación completa- ISO80079-36; IEC 60079-32-1; TRGS 727

## 5. TRANSPORTE, EMBALAJE Y ALMACENAMIENTO



### CONSEJOS Y RECOMENDACIONES

- La instalación y primera puesta en marcha debe ser realizada, en el mejor de los casos, por empleados del fabricante o personas autorizadas por este.
- No obstante, puede suceder que, durante la instalación y demás usos, los operarios o el personal de mantenimiento del operador se vean en situación de manipular los embalajes. En ese caso, se deben respetar en todo momento las indicaciones siguientes.

### 5.1. INDICACIONES DE SEGURIDAD PARA EL TRANSPORTE



#### ¡NOTA!

- ***Daños materiales por un transporte indebido***
- Los embalajes pueden caerse o volcar con un transporte indebido. Esto puede ocasionar daños materiales por un importe considerable.
- Al descargar los embalajes durante la entrega, así como durante el transporte interno se debe proceder con cuidado y respetar los símbolos e indicaciones en el embalaje.
- Utilice solo los puntos de sujeción previstos para ello.
- Retire los embalajes solo antes de comenzar con el montaje.

### 5.2. INSPECCIÓN DE TRANSPORTE

Compruebe la integridad y la presencia de posibles daños de transporte cuando reciba la entrega. Proceda del modo siguiente si observa daños de transporte visibles:

- No acepte el suministro, o solo con reservas.
- Anote el alcance de los daños en los documentos de transporte o el albarán de la empresa de transporte.
- Inicie un procedimiento de reclamación.



## CONSEJOS Y RECOMENDACIONES

- Reclame cualquier defecto en cuanto lo detecte. Las reclamaciones de indemnización por daños solo pueden hacerse valer dentro del plazo de garantía.

### 5.3. EMBALAJE

Cada uno de los paquetes está embalado de acuerdo con las condiciones de transporte previstas. Para el embalaje se han utilizado exclusivamente materiales respetuosos con el medio ambiente.

El embalaje tiene como fin proteger los componentes de daños de transporte, la corrosión y otros daños hasta el montaje. Por este motivo, retire los embalajes solo antes de comenzar con el montaje.



#### ¡AVISO!

- **Peligro para el medio ambiente causado por una eliminación incorrecta**
- Los materiales de embalaje son materias primas muy valiosas y, en muchos casos, se pueden seguir utilizando o reciclarse. Una eliminación incorrecta de estos puede ocasionar peligros para el medio ambiente.
- Elimine los materiales de embalaje de forma respetuosa con el medio ambiente.
- Respete las disposiciones de eliminación locales en vigor. En caso necesario, encargue la eliminación a una empresa especializada.

ES

### 5.4. ALMACENAMIENTO

Almacene los paquetes en las condiciones siguientes:

- No los almacene al aire libre.
- Almacénelos en un lugar seco y sin polvo.
- No los exponga a medios agresivos.
- Protéjalos de la radiación solar.
- Evite sacudidas mecánicas.
- Temperatura de almacenamiento: de 15 a 35 °C.
- Humedad ambiental relativa: máx. 60 %.
- Si el almacenamiento se va a prolongar durante más de 3 meses, controle de forma regular el estado general de todas las piezas y del embalaje. En caso necesario, arregle o sustituya el embalaje.



## CONSEJOS Y RECOMENDACIONES

- En determinadas circunstancias, en los paquetes hay notas relativas al almacenamiento que no están incluidas en este manual. Respételas también como proceda.

## 6. INSTALACIÓN Y PRIMERA PUESTA EN MARCHA

### 6.1. INDICACIONES DE SEGURIDAD PARA LA INSTALACIÓN Y PRIMERA PUESTA EN MARCHA

#### PERSONAL

La instalación y la primera puesta en marcha únicamente pueden ser llevados a cabo por personal cualificado.

### 6.2. PREPARATIVOS

#### DESEMBALAJE

- Los componentes se deben desembalar con cuidado.
- Elimine también los materiales de embalaje adicionales.
- Compruebe todos los componentes en busca de posibles daños de transporte.

#### DESCARGAR

- Descargar la presión del gas en posibles plantas ya instaladas, en caso necesario, purgar con gas inerte
- Separe la tubería de las posibles plantas ya instaladas con ayuda de herramientas especiales, evite la formación de virutas
- Compruebe que las piezas de conexión estén limpias y en perfecto estado.

## 6.3. INSTALACIÓN

La instalación y la primera puesta en marcha sólo pueden ser realizadas por personal cualificado.

La placa base de la estación de relajación se fija a una altura de montaje de 164 cm.

La placa frontal de la estación de relajación se engancha de la placa base y se fija con el tornillo suministrado en la parte central inferior.

La placa base se conecta a tierra a través del tornillo previsto.

La estación de relajación se monta por lo general con uniones roscadas con anillos opresores, la válvula de escape, las entradas y la salida para gas de purga.

Si los hubiera, conectar también la válvula de seguridad o antirretorno. En primer lugar se deben retirar las tapas de las conexiones.

Para el montaje hay que insertar el tubo en la unión roscada con anillos opresores por completo. A continuación, enroscar a mano la tuerca de unión y apretar con una llave (1 ¼ de giro) (primera instalación, 1 1/4 de giro para tubos de más de 1/8 pulgada y 3/4 de giro para turbos de 1/8 pulgadas o menos, reinstalación 1/4 de giro para todos los tamaños).

El conducto de escape se cierra del mismo modo en la válvula de escape. Los conductos de escape y salida NO se deben unir y se deben dirigir al exterior de forma que no supongan ningún peligro; lo mismo se aplica a la conexión de la línea con la válvula de seguridad, si la hubiera.

Para conectar bombonas de gas a la estación de relajación se usan tubos y mangueras de conexión flexible homologados (accesorios suministrables).

El tubo o la manguera de conexión flexible se suministra siempre por separado. Se debe comprobar la asignación correcta del tubo o la manguera. El número de conexión de bombona aparece en la tuerca de conexión. Solo hay un modelo de tubos o mangueras de conexión. Este es adecuado para conectarlo al lado izquierdo o derecho de la estación de relajación. Para montar el tubo o la manguera de conexión a la estación de relajación, retire en primer lugar las tapas de plástico de las roscas de conexión del tubo o la manguera, y de la estación de relajación. Preste atención a colocar en la tuerca de unión la junta plana planta suministrada con el tubo o la manguera de conexión. La tuerca de unión se aprieta primero a mano sobre la rosca de conexión en la entrada de la estación de relajación y luego con una llave. Si se usa una manguera de conexión, se puede colgar el cable de parada con un mosquetón en la parte inferior de la placa base. Para conectar un tubo o una manguera de conexión la bombona de gas, la rosca de la válvula de la bombona y la tuerca de unión deben encontrarse en perfecto estado. Coloque una nueva cada vez que establezca una nueva conexión. Solo se pueden usar tubos y mangueras de conexión del fabricante y de acuerdo con el tipo de gas. Compruebe que las juntas planas estén bien colocadas en las boquillas de conexión del tubo o la manguera de conexión. No utilice prolongadores de llaves porque podría estropear la osca y la junta. Esto puede dar lugar a una fuga.

## 6.4. REQUISITOS PARA LA PRIMERA PUESTA EN MARCHA

- Deben estar presentes los protocolos de prueba de todos los sistemas de tuberías en lo que refiere a la estanqueidad cuando se transporte también humedad y partículas.
- Los conductos de gas de proceso, los conductos de gas de purga y el conducto de salida, así como las líneas en las válvulas de seguridad o antirretorno, si las hubiera, están conectados
- En el conducto de gas del proceso solo hay gas estándar. (véase punto 1.2)
- La puesta en marcha solo puede ser realizada por personal especializado e instruido.
- Se debe llevar ropa de protección adecuada según las disposiciones.
- Es necesario utilizar herramientas especiales que no produzcan chispas y prepararlas antes de la puesta en marcha.
- Compruebe antes de la primera puesta en marcha con ayuda de la placa de características si la estación de relajación es adecuada para el fin previsto (gas, presión, material, etc.)

## 6.5. PRIMERA PUESTA EN MARCHA

- Se cumplen todos los requisitos según el punto 6.4
- El regulador de presión de la segunda fase de presión está distendido (cerrado)
- Todas las válvulas en la estación de relajación están cerradas



### ¡ADVERTENCIA!

- Se debe prestar atención a que la estación de relajación no se vea expuesta a presiones superiores a la presión de funcionamiento.
- Asegurar antes de la puesta en marcha que nadie pueda verse en peligro por el funcionamiento del aparato a presión.

### 6.5.1. PURGA CON GAS DEL PROCESO (S300/S200/S60)

Las estaciones de relajación con purga con gas del sistema S300/S200/S60 se usan para poder extraer el aire atmosférico que entra en el sistema al cambiar la bombona y distender así el tubo flexible o la manguera de conexión. Asegúrese de que hay una línea de escape conectada.

1. la válvula para la purga de gas de proceso está cerrada, la palanca es transversal a la dirección del flujo (válvula de 2 puertos).
2. El regulador de presión está relajado (cerrado).
3. Cerrar la válvula de cierre de entrada, la marca roja es visible (válvula de 4 puertos).
4. Ahora, la válvula de cierre en la entrada solo está cerrada hacia el reductor de presión. La vía hacia la válvula para la purga con gas del proceso está libre.
5. Abra poco o poco la válvula de la bombona.
6. El gas del proceso fluye en el tubo o la manguera de conexión.
7. Vuelva a cerrar la válvula de la bombona de gas.
8. Abra solo brevemente la válvula para la purga con gas del proceso y deje que salga el gas contenido en el tubo o la manguera de conexión.
9. A continuación, vuelva a cerrar la válvula para la purga con gas del proceso.

*REPITA LOS PASOS 4. – 9. AL MENOS 10 VECES*

### 6.5.2. PURGA CON GAS EXTERNO (S203)

Las estaciones de relajación con purga con gas externo S203 se usan para poder extraer el gas venenoso o corrosivo antes de cambiar la bombona y distender así el tubo flexible o la manguera de conexión para cambiar la bombona. Asegúrese de que hay una línea de escape conectada.

1. Comprobar si la entrada y la salida del gas de purga, las entradas del gas de proceso, el conducto de escape y, dado el caso, la válvula de seguridad están bien conectadas.
2. Cerrar todas las válvulas, las marcas rojas deben ser visibles (4 puertos).
3. Girar el volante en sentido contrario a las agujas del reloj para cerrar el regulador de presión.
4. Abra la válvula de purga de entrada.
5. Volver a cerrar la válvula de entrada del gas de purga. Dejar que el gas que ha entrado se mantenga algunos segundos en los componentes.
6. Abrir brevemente la válvula de purga de salida y dejar salir el gas de purga.
7. Volver a cerrar la válvula de purga de salida.

*REPITA LOS PASOS 4. – 7. REPETIR POR LO MENOS 10 VECES PARA LOGRAR UNA PURGA ABSOLUTA*

### 6.5.3. LLENAR EL CONDUCTO DE GAS DEL PROCESO CON GAS DEL PROCESO

Antes de la puesta en marcha y del llenado del sistema siguiente, se debe realizar una purga con gas del sistema (véase punto 6.5.1) o con gas externo (véase punto 6.5.2) dependiendo del tipo de estación de relajación. Por motivos de seguridad, recomendamos instalar siempre un conducto de escape.

1. Compruebe si el tubo o la manguera flexible y los conductos de purga, proceso, seguridad y escape están bien conectados.
2. Cierre todas las válvulas de la estación de relajación, la marca roja es visible (4 puertos).
3. Gire el volante del regulador de presión en sentido contrario a las agujas del reloj hasta el tope; el paso queda así cerrado.
4. Abra poco o poco la válvula de la bombona
5. Abra POCO A POCO la válvula de cierre en la entrada
6. La estación de relajación está ahora en funcionamiento.
7. Se recomienda controlar varias veces al día la estación de relajación y las presiones.

*RECOMENDAMOS COMPROBAR EL COLECTOR Y LOS MANÓMETROS A DIARIO*

## 6.5.4. CAMBIO DE BOTELLA



### NOTA!

- Respete los valores MAK (véanse normas técnicas para sustancias peligrosas, TRGS 900)
- 1. Cierre la válvula de la bombona en la bombona de gas
- 2. Cierre la válvula de cierre en la entrada en el lado de la bombona de gas vacía
- 3. Abra la válvula de purga de entrada/la válvula de purga de salida para relajar el tubo o la manguera de conexión.
- 4. S300/S200/S60: Realice una purga con gas del sistema (véase punto 6.5.1)  
S203: Realice una purga con gas externo (véase punto 6.5.2)
- 5. Cierre la válvula de cierre en la entrada en el lado de la bombona vacía
- 6. Suelte el tubo o la manguera de conexión de la válvula de la bombona vacía
- 7. Conecte una bombona de gas nueva, y utilice SIEMPRE una junta plana nueva

*ANTES DE VOLVER A PONER EN MARCHA:*

- 8. S300/S200/S60: Realice una purga con gas del sistema (6.5.1)  
S203: Realice una purga con gas externo (6.5.2).
- 9. Llene el tubo o la manguera de conexión con gas del proceso.

ES

## 6.5.5. PUESTA FUERA DE SERVICIO DE LA PLANTA

Gire el volante del regulador de presión en sentido contrario a las agujas del reloj para cerrar la estación de relajación.

Cierre el regulador de presión no garantiza la estanqueidad, y puede producirse un escape de gas por las mangueras o los dispositivos de consumo conectados.

Cierre la válvula de cierre del gas.

Cierre siempre también la válvula de la bombona por motivos de seguridad.

*TENGA EN CUENTA LO SIGUIENTE SI VA A DESMONTAR POR COMPLETO LA ESTACIÓN DE RELAJACIÓN:*



### ¡PELIGRO!

- Relajar el regulador de presión y los conductos dirigiendo el gas a través del consumidor. La manecilla del indicador del manómetros de entrada y salida deben marcar «0».
- En caso necesario, realizar una purga con gas del sistema o gas externo.
- Adoptar las medidas de protección personal adecuadas.
- Respetar los valores MAK.
- Se debe prestar atención a que la estación de relajación no se vea expuesta a presiones superiores a la presión de funcionamiento.
- Asegurar antes de la puesta en marcha que nadie pueda verse en peligro por el funcionamiento del aparato a presión.

## 6.6. EXÁMENES

- Compruebe el funcionamiento del regulador de presión después de la descompresión.
- Compruebe la estanqueidad de la válvula de escape. La válvula debe estar cerrada de forma estanca a las burbujas.
- Compruebe la estanqueidad de todas las válvulas. Las válvulas deben estar cerradas de forma estanca a las burbujas.

## 7. FUNCIONAMIENTO

Según el capítulo 2.1, el funcionamiento de la estación de relajación está definido para gases estándar.



### ¡CUIDADO!

- Las válvulas manuales se deben abrir siempre poco a poco y con cuidado para evitar golpes de presión en el sistema y proteger otros componentes.



## 8. MANTENIMIENTO

### 8.1. INDICACIONES DE SEGURIDAD PARA EL MANTENIMIENTO



#### ¡NOTA!

- Los trabajos de mantenimiento únicamente pueden ser llevados a cabo por personal cualificado, instruido y autorizado. (véase capítulo 2.4.)

### 8.2. PLAN DE MANTENIMIENTO

En los apartados siguientes se describen los trabajos de mantenimiento necesarios para que el aparato funcione de forma óptima y sin fallos. Si se detecta un mayor desgaste durante los controles regulares, se deben acortar los intervalos de mantenimiento con arreglo al nivel de desgaste real.



#### ¡AVISO!

- Póngase en contacto con el servicio de atención al cliente si tiene cualquier duda relativa a los trabajos de mantenimiento.

Intervalo	Trabajo de mantenimiento	Personal
Semanal	Inspeccionar visualmente todos los componentes	Persona autorizada (TRBS 1203)
Anual	Comprobar el funcionamiento y la estanqueidad, comprobar todas las piezas relevantes para la seguridad	Persona autorizada (TRBS 1203)
Cada 10 años	Revisión general y sustitución de todas las piezas de desgaste	Persona autorizada (TRBS 1203)

ES

### 8.3. TRABAJOS DE MANTENIMIENTO

#### 8.3.1. LIMPIEZA



#### ¡NOTA!

- Los productos de limpieza deben ser compatibles con los materiales con los que vayan a entrar en contacto.

#### 8.3.2. REQUISITO PARA EL MANTENIMIENTO

*ANTES DE COMENZAR EL MANTENIMIENTO, SE DEBE COMPROBAR QUE*

- El suministro de gas esté interrumpido y asegurado.
- La estación de relajación no tiene presión.
- El regulador de presión está relajado.
- La válvula está cerrada.
- No hay ningún gas de proceso en el sistema.
- Se ha purgado el sistema con gas inerte.

#### 8.3.3. MANTENIMIENTO NECESARIO

- Comprobar la precisión de los valores mostrados por los indicadores de presión.
- Estación de relajación, regulador de presión, válvulas e indicadores de presión: Comprobar el estado en lo que respecta al funcionamiento y a la identificación.
- Comprobar la identificación.
- Comprobar la presencia de corrosión.
- Comprobar el funcionamiento.
- Realizar una prueba de estanqueidad con la presión de funcionamiento durante 12 horas.
- Los componentes desgastados y defectuosos se deben sustituir de inmediato; para ello debe encargarse siempre a una empresa especializada autorizada.

- Las válvulas están diseñadas según ISO 10297. Esto incluye un test de tipo en el que se ha sometido a la válvula a un ensayo de vida útil de hasta 2000 ciclos. • Sustituya las piezas internas tras 2000 ciclos en contacto con los medios; para ello debe encargarse siempre a una empresa especializada autorizada.
- Si se detectan zonas no estancas o mucha corrosión en las estaciones de relajación/regulador de presión o la válvula, debe encargar a una empresa autorizada que las sustituya por completo entre la conexión que se pueda soltar más cercana posible.
- Después de sustituir componentes o módulos de tuberías, se debe volver a realizar y recoger en un protocolo un ensayo de presión.

### 8.4. MEDIDAS DESPUÉS DEL MANTENIMIENTO

TRAS COMPLETAR LOS TRABAJOS DE MANTENIMIENTO, Y ANTES DE VOLVER A PONERLOS EN MARCHA, SE DEBEN LLEVAR A CABO LOS PASOS SIGUIENTES EN LA ESTACIÓN DE RELAJACIÓN, EL REGULADOR DE PRESIÓN O LA VÁLVULA:

1. Asegúrese de que todas las herramientas, materiales y demás equipo empleados se han retirado de la zona de trabajo.
2. Limpie la zona de trabajo y retire cualquier sustancia como, p. ej., líquidos, materiales de procesamiento o similares.
3. Asegúrese de que todos los dispositivos de seguridad del sistema funcionan a la perfección.

## 9. AVERÍAS

En el capítulo siguiente se describen posibles causas de fallos y cómo solucionarlos. Si los fallos se repiten, se deberán acortar los intervalos de mantenimiento de acuerdo con la carga real. Póngase en contacto con el fabricante si aparece algún fallo que no pueda solucionarse con las indicaciones siguientes.

### 9.1. INDICACIONES DE SEGURIDAD PARA SOLUCIONAR AVERÍAS

En caso de avería, interrumpa el suministro de gas, relaje el regulador de presión y cierre las válvulas. No realice en ningún caso labores de mantenimiento con los componentes bajo presión.

COMPORTAMIENTO EN CASO DE AVERÍAS:

1. Interrumpa y asegure el suministro de gas.
2. Relaje el regulador de presión, cierre las válvulas.
3. Solo personal cualificado puede solucionar las averías.
4. Restablezca el estado inicial del aparato.

Descripción	Causa	Solución	Válvulas	Regulador de presión para bombonas	Regulador de presión para conductos	Estaciones de relajación
Sin caudal (El manómetro de entrada muestra presión, el de salida, no)	Regulador de presión cerrado	Abri el regulador de presión despacio Cerrar válvula de purga		☑	☑	☑
Sin caudal (ambos manómetros indican cero)	Válvula de la bomba cerrada Válvula del gas de uso cerrada Regulador de presión cerrado Espiral/manguera no conectados	Puesta en marcha según el punto 6. Instalación y primera puesta en marcha		☑	☑	☑

Descripción	Causa	Solución	Válvulas	Regulador de presión para bombonas	Regulador de presión para conductos	Estaciones de relajación
Sin caudal	Regulador de presión cerrado	Abrir el regulador de presión despacio	<input checked="" type="checkbox"/>			
Aumento de presión secundaria y válvula de escape abierta	Fuga en el asiento del regulador de presión	Reparación por parte del fabricante		<input checked="" type="checkbox"/>	<input checked="" type="checkbox"/>	<input checked="" type="checkbox"/>
Ligero aumento de presión secundaria y válvula de escape no se abre	Caída de presión de entrada	Ninguna avería, estado de funcionamiento normal		<input checked="" type="checkbox"/>	<input checked="" type="checkbox"/>	<input checked="" type="checkbox"/>
Ligero aumento de presión secundaria	Diferencia entre la presión de flujo (con caudal) y presión dinámica (sin caudal)	Ninguna avería, estado de funcionamiento normal		<input checked="" type="checkbox"/>	<input checked="" type="checkbox"/>	<input checked="" type="checkbox"/>
Ligera caída de presión secundaria	Diferencia entre la presión dinámica (sin caudal) y presión de flujo (con caudal)	Ninguna avería, estado de funcionamiento normal		<input checked="" type="checkbox"/>	<input checked="" type="checkbox"/>	<input checked="" type="checkbox"/>
Fuerte caída de presión secundaria	La presión de caudal necesaria para el regulador de presión es demasiado grande	Escoger un regulador de presión nuevo adecuado para la presión y el caudal requeridos		<input checked="" type="checkbox"/>	<input checked="" type="checkbox"/>	<input checked="" type="checkbox"/>
Fuerte caída de presión secundaria	Conducto de gas de proceso no estanco	Comprobar el conducto de gas de proceso		<input checked="" type="checkbox"/>	<input checked="" type="checkbox"/>	<input checked="" type="checkbox"/>
Presión de salida demasiado alta	Regulador mal ajustado	Ajustar el regulador de presión, volver a ajustar, mantenimiento		<input checked="" type="checkbox"/>	<input checked="" type="checkbox"/>	<input checked="" type="checkbox"/>

ES

Descripción	Causa	Solución	Válvulas	Regulador de presión para bombonas	Regulador de presión para conductos	Estaciones de relajación
Presión secundaria aumenta de inmediato hasta el tope o aumenta poco a poco por encima del valor ajustado y la válvula de escape se acciona	Suciedad o daños en el asiento del «incrementador»	Reparación por parte del fabricante		<input checked="" type="checkbox"/>	<input checked="" type="checkbox"/>	<input checked="" type="checkbox"/>
Ruidos durante el funcionamiento	La presión de caudal necesaria para el regulador de presión es demasiado grande	Escoger un regulador de presión nuevo adecuado para la presión y el caudal requeridos		<input checked="" type="checkbox"/>	<input checked="" type="checkbox"/>	<input checked="" type="checkbox"/>
Sin cambios en el control de la válvula a pesar de girar el volante	Volante defectuoso por un par de giro demasiado alto, husillo defectuoso, rosca defectuosa	Reparación por parte del fabricante	<input checked="" type="checkbox"/>	<input checked="" type="checkbox"/>	<input checked="" type="checkbox"/>	<input checked="" type="checkbox"/>
Humedad en el regulador de presión (SIN condensación, lluvia ni nieve)	El regulador de presión sustrae energía del entorno por la relajación del gas	Ninguna avería Estado de funcionamiento normal		<input checked="" type="checkbox"/>	<input checked="" type="checkbox"/>	<input checked="" type="checkbox"/>
Formación de hielo en el regulador de presión (SIN condensación, lluvia ni nieve)	El regulador de presión sustrae energía del entorno por la relajación del gas, rendimiento limitado del depósito de gas a presión, p. ej., con N <sub>2</sub> O, CO <sub>2</sub>	Ninguna avería Estado de funcionamiento normal ATENCIÓN: Prestar atención al funcionamiento del manómetro de contacto, incrementar el número de depósitos de gas a presión		<input checked="" type="checkbox"/>	<input checked="" type="checkbox"/>	<input checked="" type="checkbox"/>

Esta tabla no pretende ser completa. Si tiene preguntas o dudas, consulte al fabricante.

## 10. DEMONTAJE Y ELIMINACIÓN

Una vez alcanzado el final de la vida útil del aparato, este debe desmontarse y entregarse para su eliminación respetuosa con el medio ambiente.

### 10.1. INDICACIONES DE SEGURIDA PARA EL DESMONTAJE Y LA ELIMINACIÓN



#### ¡ADVERTENCIA!

- **Riesgo de lesiones por un desmontaje indebido.**
- La energía residual almacenada, los componentes afilados, puntas y esquinas en el aparato o las herramientas necesarias pueden causar lesiones.
- Asegure un espacio suficiente antes de comenzar a trabajar.
- Tenga cuidado con los componentes afilados o con bordes.
- ¡Mantenga el lugar de trabajo ordenado y limpio!
- Las piezas y las herramientas sueltas amontonadas o esparcidas son una fuente de accidentes.
- Desmunte los componentes de forma correcta. Tenga en cuenta que pueden ser muy pesados. En caso necesario, utilice herramientas de izado.
- Asegure los componentes para que no puedan caerse.
- Consulte al fabricante en caso de dudas.

### 10.2. DESMONTAJE

#### ANTES DE COMENZAR EL DESMONTAJE

Girar el volante de la segunda fase de presión de la estación de relajación en sentido contrario a las agujas del reloj para cerrar el regulador de presión del conducto.

Relaje el regulador de presión del conducto y asegúrese de que no quede gas del proceso en el interior.

Relaje el sistema y, si es necesario, púrguelo con gas inerte.

Descargue el lado de alta presión de la estación a través de la válvula de gas de purga.

En función de la versión, realice una purga con gas del sistema o gas externo.

Retire y elimine de forma respetuosa con el medio ambiente las herramientas, dispositivos auxiliares y materiales de procesamiento. A continuación, limpie los módulos y los componentes de forma adecuada respetando las disposiciones de seguridad laboral y protección medioambiental locales.



#### ¡ADVERTENCIA!

- **No abra el sistema cuando todavía haya gas venenoso o corrosivo en su interior.**

### 10.3. ELIMINACIÓN

Si no se ha celebrado ningún acuerdo de recogida o eliminación, recicle los componentes por separado:

Desguace los metales.

Entregue los plásticos para su reciclado.

Elimine el resto de componentes clasificados por materiales.

Según el artículo 33 de la normativa REACH, la sociedad GCE, s.r.o. como fabricante consciente de su responsabilidad, se compromete a informar a todos sus clientes cuando los materiales contengan 0,1% o más de las sustancias especialmente preocupantes (SVHC) recogidas en la lista.

La mayoría de aleaciones de latón empleadas para componentes y cuerpos de latón contienen un 2-3% de plomo (Pb), EG n.º 231-468-6, CAS n.º 7439-92-1. Este no se libera en el gas ni el medio ambiente con un uso normal. Al final de su vida útil, una empresa especializada en el reciclaje de metales autorizada debe eliminar los residuos con objeto de garantizar una eliminación efectiva del material con efectos mínimos para el medio ambiente y la salud.

Hasta la actualidad, no disponemos de informaciones relativas a la presencia de materiales con concentraciones de SVHC superiores al 0,1% en los productos de GCE.



## ¡AVISO!

- ***Peligro para el medio ambiente causado por una eliminación incorrecta.***
- Una eliminación incorrecta puede ocasionar peligros para el medio ambiente.
- Deje que una empresa especializada y autorizada se encargue de la eliminación de la chatarra eléctrica, componentes electrónicos, lubricantes y demás sustancias.
- Si tiene dudas, consulte a la autoridad municipal o una empresa especializada para obtener información sobre cómo garantizar una eliminación respetuosa con el medio ambiente.

ES

[www.linde.com](http://www.linde.com)

Estos artículos se han elaborado por encargo de Linde.

ES

# INDHOLD

<b>1. GENERELT</b> .....	<b>140</b>
1.1. INFORMATION VEDRØRENDE DENNE VEJLEDNING .....	140
1.2. INFORMATIONER VEDRØRENDE AFSPÆNDINGSSTATIONEN .....	140
1.2.1. S300/S200/S60 .....	141
1.2.2. S203 .....	141
1.3. SYMBOLFORKLARING .....	141
1.4. ANSVARSBEGRÆNSNING .....	142
1.5. OPHAVSRETSBESKYTTELSE .....	142
1.6. RESERVEDELE .....	142
1.7. GARANTIBESTEMMELSER .....	142
1.8. KUNDESERVICE .....	142
<b>2. SIKKERHED</b> .....	<b>142</b>
2.1. PÅTÆNKT BRUG .....	143
2.1.1. KONSTRUKTIONSMÆSSIGE FORANDRINGER PÅ AFSPÆNDINGSSTATIONEN .....	143
2.2. GENERELLE FARER .....	143
2.3. OPERATØRENS ANSVAR .....	144
2.4. KRAV TIL PERSONALET .....	145
2.4.1. KVALIFIKATIONER .....	145
2.4.2. ADVARSEL OM UBEFØJEDE! .....	145
2.4.3. UNDERVISNING .....	145
2.5. PERSONLIGT BESKYTTELSESUDSTYR .....	146
2.6. ADFÆRD VED ILDEBRAND OG ULYKKER .....	146
2.7. MILJØBESKYTTELSE .....	147
2.8. SKILTNING .....	147
2.8.1. PÅBUDSTEGN .....	147
2.8.2. FORBUDSTEGN .....	147
2.8.3. ADVARSELSTEGN .....	147
<b>3. TEKNISKE DATA</b> .....	<b>148</b>
3.1. FLYDESKEMA – S300/S200/S60 .....	148
3.2. DATABLAD – S300/S200/S60 .....	149
3.3. FLYDESKEMA – S203 .....	150
3.4. DATABLAD – S203 .....	151
3.5. GENERELLE OPLYSNINGER .....	152
3.6. TILSLUTNINGSVÆRDIER .....	152
3.7. EFFEKTFAKTOR .....	152
3.8. DRIFTSBETINGELSER OMGIVELSER .....	152
<b>4. KONSTRUKTION OG FUNKTION</b> .....	<b>153</b>
4.1. KONSTRUKTION – S300/S200/S60 .....	153
4.2. KONSTRUKTION – S203 .....	153
4.3. KORT BESKRIVELSE .....	153
<b>5. TRANSPORT, EMBALLERING OG OPBEVARING</b> .....	<b>154</b>
5.1. SIKKERHEDSHENVISNINGER FOR TRANSPORTEN .....	154
5.2. TRANSPORT INSPEKTION .....	154
5.3. EMBALLAGE .....	154
5.4. OPBEVARING .....	155
<b>6. INSTALLATION OG FØRSTE IBRUGTAGNING</b> .....	<b>155</b>
6.1. SIKKERHEDSINSTRUKTIONER FOR INSTALLATIONEN OG DEN FØRSTE IBRUGTAGNING .....	155
6.2. FORBEREDELSE .....	155
6.3. INSTALLATION .....	155
6.4. FORUDSÆTNINGER FOR DEN FØRSTE IBRUGTAGNING .....	156
6.5. FØRSTE IBRUGTAGNING .....	156
6.5.1. PROCESGASSKYLNING (S300/S200/S60) .....	157
6.5.2. FREMMEDGASSKYLNING (S300/S200/S60) .....	157
6.5.3. FYLDNING AF PROCESGASLEDNINGEN MED PROCESGAS .....	157
6.5.4. UDSKIFTNING AF FLASKER .....	157
6.5.5. NÅR ANLÆGGET TAGES UD AF BRUG .....	158
6.6. KONTROLLER .....	158



<b>7. OPERATION .....</b>	<b>158</b>
<b>8. VEDLIGEHOLDELSE .....</b>	<b>158</b>
8.1. SIKKERHEDSHENVISNINGER FOR VEDLIGEHOLDELSEN.....	158
8.2. VEDLIGEHOLDELSESPLAN .....	158
8.3. VEDLIGEHOLDELSESARBEJDE.....	159
8.3.1. RENSNING.....	159
8.3.2. FORUDSÆTNING FOR VEDLIGEHOLD .....	159
8.3.3. NØDVENDIG VEDLIGEHOLDELSE.....	159
8.4. FORHOLDSREGLER EFTER GENNEMFØRT VEDLIGEHOLDELSE .....	159
<b>9. FEJL .....</b>	<b>160</b>
9.1. SIKKERHEDSHENVISNINGER FOR RETTELSEN AF FEJL.....	160
<b>10. AFMONTERING OG BORTSKAFFELSE.....</b>	<b>162</b>
10.1. SIKKERHEDSHENVISNINGER FOR DEMONTERING OG BORTSKAFFELSE .....	162
10.2. AFMONTERING.....	162
10.3. BORTSKAFFELSE .....	163

DA

## 1. GENERELT

### 1.1. INFORMATION VEDRØRENDE DENNE VEJLEDNING

Denne vejledning gælder for afspændingsstationer af typen:

- S300
- S203
- S200
- S60

Disse afspændingsstationer bruges til at fjerne og afspænde gas fra trykgasbeholdere. Afspændingsstationerne fastgøres permanent til væggen og tilsluttes til gastrykbeholderen med spiralledninger eller korrugerede slanger. Denne vejledning muliggør den sikre og effektive omgang med apparatet. Vejledningen er en del af apparatet og skal opbevares i apparatets umiddelbare nærhed, så den altid er tilgængelig for personalet. Før nogen former for arbejde påbegyndes, skal personalet have gennemlæst og forstået denne vejledning. En grundlæggende forudsætning for sikkert arbejde er overholdelsen af alle oplyste sikkerheds henvisninger og håndteringsanvisninger i denne vejledning. Derudover gælder de lokale forskrifter til forebyggelse af ulykker og de generelle sikkerhedsbestemmelser for apparatets indsatsområde. Illustrationer i denne vejledning øger den generelle forståelse og kan afvige fra den faktiske udførelse.

DA

### 1.2. INFORMATIONER VEDRØRENDE AFSPÆNDINGSSTATIONEN

Afspændingsstationer af denne type må kun bruges med de gassorter, der er defineret som standardgas. Det maksimale arbejdstryk for disse afspændingsstationer er 300 bar. Et-trin afspændingsstationer består af ventiler og trykregulatorer med metalmembran. Fremstillet og testet ifølge ISO7291 / 10297 inklusive ilt-udbrændingstest.

Produktlinje	(Renhed 6.0 I Messingforkromet)	(Renhed 6.0 I Rustfri stål)
Med <b>FKM</b> -pasning af overtryksventilen	<ul style="list-style-type: none"> <li>• Anvendelige gasarter (inklusive deres blandinger):               <ul style="list-style-type: none"> <li>• High Purity</li> <li>• Inaktiv</li> <li>• Brandbar</li> <li>• Brandfremmende</li> <li>• O<sub>2</sub></li> </ul> </li> <li>• IKKE-anvendelige gasarter (inklusive deres blandinger):               <ul style="list-style-type: none"> <li>• Ætsende</li> <li>• Giftige</li> <li>• CO<sub>2</sub>, N<sub>2</sub>O</li> </ul> </li> </ul>	<ul style="list-style-type: none"> <li>• Anvendelige gasarter (inklusive deres blandinger):               <ul style="list-style-type: none"> <li>• High Purity</li> <li>• Inaktiv</li> <li>• Brandbar</li> <li>• O<sub>2</sub> op til 200 bar</li> <li>• Ætsende (Indhent</li> </ul> </li> <li>oplysninger ved uklarheder)               <ul style="list-style-type: none"> <li>• Giftig (Indhent oplysninger ved uklarheder)</li> </ul> </li> <li>• IKKE-anvendelige gasarter (inklusive deres blandinger):               <ul style="list-style-type: none"> <li>• O<sub>2</sub> over 200 bar</li> <li>• CO<sub>2</sub>, N<sub>2</sub>O</li> <li>• NH<sub>3</sub>, SO<sub>2</sub>, H<sub>2</sub>S</li> </ul> </li> </ul>
Med <b>EPDM</b> -pasning af overtryksventilen	<ul style="list-style-type: none"> <li>• Anvendelige gasarter (inklusive deres blandinger):               <ul style="list-style-type: none"> <li>• High Purity</li> <li>• Inaktiv</li> <li>• Brandbar</li> <li>• Brandfremmende</li> <li>• CO<sub>2</sub>, N<sub>2</sub>O</li> </ul> </li> <li>• IKKE-anvendelige gasarter (inklusive deres blandinger):               <ul style="list-style-type: none"> <li>• Ætsende</li> <li>• Giftig</li> <li>• O<sub>2</sub> (Andel større end 21 %)</li> <li>• Kulbrinte</li> </ul> </li> </ul>	<ul style="list-style-type: none"> <li>• Anvendelige gasarter (inklusive deres blandinger):               <ul style="list-style-type: none"> <li>• High Purity</li> <li>• Inaktiv</li> <li>• Brandbar</li> <li>• Brandfremmende</li> <li>• Ætsende (Indhent oplysninger ved uklarheder)</li> </ul> </li> <li>• Giftig (Indhent oplysninger ved uklarheder)</li> <li>• CO<sub>2</sub>, N<sub>2</sub>O</li> <li>• NH<sub>3</sub>, SO<sub>2</sub>, H<sub>2</sub>S</li> <li>• IKKE-anvendelige gasarter (inklusive deres blandinger):               <ul style="list-style-type: none"> <li>• O<sub>2</sub> (Andel større end 21 %)</li> <li>• Kulbrinte</li> </ul> </li> </ul>

Denne tabel hævder ikke at være fuldstændig. Ved spørgsmål og uklarheder kontakt producenten.

### 1.2.1. S300/S200/S60

Denne afspændingsstation fås i messingforkromet og rustfri stål-version. Den består af følgende komponenter:

- Trykregulator med indgangs- og udgangstrykmåler
- Skyllventil til skylning med procesgas og 4-port-stopventil ved indgangen
- Overtryksventil
- Frontplade og grundplade

#### TILSÆTNING

- S: Sikkerhedsventil ved udgangen
- C: Kontraventiler ved indgangene
- U: Sikkerhedsventil ved udgangen og kontraventiler ved indgangene

### 1.2.2. S203

Denne afspændingsstation fås kun i rustfri stål-version. Den består af følgende komponenter:



- Trykregulator med indgangs- og udgangstrykmåler
- Henholdsvis 4-port skylventiler og en 2-port ventil til skylning med inaktiv gas ved indgangene
- Overtryksventil
- Frontplade og grundplade

#### TILSÆTNING

- S: Sikkerhedsventil ved udgangen

## 1.3. SYMBOLFORKLARING

DA

<b>SIKKERHEDSHENVISNINGER</b>	Sikkerhedshenvisninger er i denne vejledning markeret med symboler. Sikkerhedshenvisningerne indledes med signalord, som giver udtryk for farens størrelse.
	<b>FARE!</b> Denne kombination af symbol og signalord peger på en umiddelbart farlig situation, som kan medføre død eller alvorlig personskaade, hvis den ikke undgås.
	<b>ADVARSEL!</b> Denne kombination af symbol og signalord peger på en muligvis farlig situation, som kan medføre død eller alvorlig personskaade, hvis den ikke undgås.
	<b>FORSIGTIG!</b> Denne kombination af symbol og signalord peger på en muligvis farlig situation, som kan medføre lille eller let personskaade, hvis den ikke undgås.
	<b>HENVISNING!</b> Denne kombination af symbol og signalord peger på en muligvis farlig situation, som kan medføre skader på ting og miljøet, hvis den ikke undgås.
	<b>TIPS OG ANBEFALINGER</b> Dette symbol fremhæver nyttige tips og anbefalinger samt informationer for en effektiv og problemfri drift.
<b>SÆRLIGE HENVISNINGER</b>	For at gøre opmærksom på særlige farer, bruges de følgende symboler i sikkerhedshenvisninger.



#### FARE!

Denne kombination af symboler og signalord peger på en umiddelbart farlige situation på grund af elektrisk strøm. Hvis en således markeret henvisning ikke overholdes, får det alvorlige eller dødelige personskader til følge.

## 1.4. ANSVARSBEGRÆNSNING

Alle oplysninger og henvisninger i denne vejledning er sammensat under hensyntagen til de gældende standarder og forskrifter, teknikkens stand samt vores årelange erkendelser og erfaringer.

I de følgende tilfælde overtager producenten intet ansvar for skader:

- Manglende overholdelse af denne vejledning
- Ved anvendelser, der afviger fra den påtænkte brug
- Brug af ikke-uddannet personale
- Egenmægtige ændringer af teknikken og konstruktionen
- Brug af ikke-tilladte reservedele
- Brug af apparatet, når det er under tryk, hvis sikkerheds- og beskyttelsesindretningerne er defekte eller ikke er anbragt korrekt
- Utilstrækkelig overvågning af udstyrs-, forskrunings- og tætningsdele, som derfor slides
- Ikke-faglig korrekte reparationer
- Når temperaturen kommer over eller under det i databladet oplyste område under driften eller opbevaringen
- Katastrofer på grund af fremmedlegemers indvirkning og force majeure

Leveringens faktiske omfang kan afvige fra de her beskrevne forklaringer og illustrationer ved specialudgaver, brug af ekstra ordremuligheder eller på grund af nyeste tekniske ændringer. Gældende er de i leveringsaftalen aftalte pligter, de generelle forretningsbetingelser samt producentens leveringsbetingelser og de på aftaletidspunktet gældende juridiske regler.

## 1.5. OPHAVSRETSBESKYTTELSE

Ophavsretten af denne vejlednings indhold er beskyttet. Brugen af den er tilladt i forbindelse med apparatets anvendelse. En anvendelse, der går ud over den tilladte brug, er ikke tilladt uden producentens skriftlige tilladelse.

## 1.6. RESERVEDELE



#### ADVARSEL!

- Fare for personskade på grund af brug af ikke-originale reservedele!
- Brugen af ikke-originale eller defekte reservedele kan medføre farer for personalet samt forårsage tingskader, fejlfunktioner eller totalt svigt.
- Brug kun producentens originale reservedele eller af producenten godkendte reservedele.
- I tvivlstilfælde kontakt altid producenten.



#### BORTFALD AF GARANTIEN!

- Ved brug af ikke-tilladte reservedele bortfalder producentens garanti.

## 1.7. GARANTIBESTEMMELSER

Principielt gælder vores "Generelle salgs- og leveringsbetingelser". Disse står senest til kundens rådighed siden kontraktens indgåelse.

## 1.8. KUNDESERVICE

Vi er altid interesserede i informationer og erfaringer, der opnås igennem brugen og kan være værdifulde for forbedringen af vores produkter.

## 2. SIKKERHED

Dette afsnit giver et overblik over alle vigtige sikkerhedsaspekter for beskyttelsen af personer samt for den sikre og problemfri drift. Andre opgaverelaterede sikkerhedshenvisninger findes i afsnittene vedrørende de enkelte livsfaser.

## 2.1. PÅTÆNKT BRUG

Afspændingsstationerne må kun bruges til de oplyste standardgassorter og -tryk ved overholdelse af de oplyste temperaturer. Den nominelle volumenstrøm er på 20 m<sup>3</sup>/h (trykluft). En del af den påtænkte brug er også overholdelsen af alle oplysninger og henvisninger i denne vejledning, overholdelsen af inspektions- og vedligeholdelsesarbejdet, samt overholdelse af typeskiltet og databladene. Enhver brug, der går ud over den påtænkte brug og andre former for anvendelse, anses for at være misbrug.



### ADVARSEL!

- **Fare ved misbrug!**
- Misbrug af afspændingsstationerne kan medføre farlige situationer.
- Brug aldrig afspændingsstationerne til væsker.
- Tilslut aldrig kilder med højere indgangstryk end beregnet til det tilsvarende trykkontrolpanel.

### 2.1.1. KONSTRUKTIONSMÆSSIGE FORANDRINGER PÅ AFSPÆNDINGSSTATIONEN

Uden skriftlig tilladelse fra producenten er der ikke tilladt at lave ændringer, til- eller ombygninger af afspændingsstationen.

Afspændingsstationer, der ikke er i perfekt tilstand, skal straks udskiftes

Rensning af gasapparater og bortskaffelse af rester

Brugte afspændingsstationer, der skal repareres, skylles først med en inaktiv gas (kvælstof).

Udvikling af lyde

I nogle tilfælde kan den ugunstige effekt af bestemte indflydelser såsom gennemløb og trykbråde, men også selve gasarterne medføre udvikling af lyde. I disse tilfælde bedes du kontakte producenten.

## 2.2. GENERELLE FARER

I det følgende afsnit nævnes de resterende risici, som også kan udgå fra apparatet ved den påtænkte anvendelse.

For at mindske risici for person- og tingskader samt farlige situationer, skal de her anførte sikkerhedshenvisninger og sikkerhedshenvisningerne i de andre afsnit af denne vejledning overholdes.



### FARE!

- **Gas kan være livsfarlig!**
- Gas kan fortrænge luften og dermed ilten, som er indeholdt deri. Dette kan medføre død ved kvælning. Ilt danner en stærkt oxidativ atmosfære. Antændelige gasarter kan danne en eksplosiv atmosfære.

DERFOR:

- Sørg for tilstrækkelig ventilation!
- Installationer må kun udføres af et certificeret specialfirma!
- Overhold ATEX-direktiverne



### OBS!

- **Farer, der kan opstå igennem omgivelserne!**  
Kondens og/eller overisning kan medføre skader på apparatet.

DERFOR:

- Overhold temperaturområdet!
- Beskyt apparatet mod udefra kommende væsker!
- Beskyt apparatet mod udefra kommende støj!
- Monteres beskyttet mod vind og vejr!
- Den tilstedeværende jordforbindelse anbringes korrekt!



### ADVARSEL!

- **Fare for ulykker ved brug af olie og fedt!**  
Olie og fedt må principielt aldrig bruges i trykreguleringssystemer. Olie og fedt er let antændelige og reagerer kraftigt på bestemte komprimerede gassorter.

DA

DERFOR:

- Brug under ingen omstændigheder olie og fedt!



#### ADVARSEL!

- **Fare for ulykker pga. energi, der er lagret i systemet!**

Ved forkert håndtering kan trykbærende dele eller enkelte dele af disse komme i ukontrolleret bevægelse og forårsage alvorlige personskader eller endda døden. • Ved forkert håndtering kan gas træde ud af trykbærende dele og forårsage alvorlige personskader eller endda døden.

*FØR START PÅ ALLE FORMER FOR ARBEJDE MED TRYKBÆRENDE DELE:*

- Installationer må kun udføres af et certificeret specialfirma!
- Brug sikkerhedsbriller!
- Brug høreværn!
- Sørg for, at systemet er fri for tryk!
- Sørg for, at der ikke længere er energi i systemet!
- Sørg for, at der ikke uønsket kan træde gas ud!
- Sørg for, at defekte dele straks udskiftes af uddannet personale!



#### ADVARSEL!

- **Fare for ulykker!**

En forkert installation kan medføre alvorlige eller endda dødelige personskader.

DERFOR:

- Sikring imod, at apparater falder ned under installation!
- Undlad at kaste apparater!

Trykbærende dele må kun bruges til de påtænkte anvendelser.

Ved mekaniske skader på rørledninger og armaturer skal systemet bringes i den sikre tilstand (luk ned for det berørte afsnit).

Fejl, der kan påvirke sikkerheden, rettes straks af kvalificerede medarbejdere, der er uddannet heri, eller af producenten.

Især ved gas er der fare for en defekt på ledningstrykregulatoren. Kendetegnende herfor er enten manglende gasgennemløb efter trykregulatoren eller en pludselig stigning af bagtrykket. Ved en defekt trykregulator skal systemet straks tages ud af drift. Det ansvarlige vedligeholdelsesfirma skal ubetinget informeres. Luk aldrig overtryksledninger.

## 2.3. OPERATØRENS ANSVAR

*OPERATØR*

Operatøren er den person, som selv driver enheden til erhvervmæssige eller økonomiske formål eller overlader den til tredje til udnyttelse/anvendelse og under driften bærer det juridiske produktansvar for beskyttelse af brugeren, personalet eller tredje.

*OPERATØRENS PLIGTER*

Apparatet bruges i det erhvervmæssige område. Apparatets operatør er omfattet af den juridiske pligt til arbejdssikkerhed.

Ud over sikkerhedshenvisningerne i denne vejledning skal de for apparatets indsatsområde gældende forskrifter for sikkerhed, ulykkesforebyggelse og miljøbeskyttelse overholdes.

*DERVED GÆLDER ISÆR FØLGENDE:*

- Operatøren skal holde sig opdateret om de gældende bestemmelser om arbejdssikkerhed og i en farevurdering derudover bedømme farer, der opstår på grund af de særlige arbejdsbetingelser på anvendelsesstedet for apparatet. Disse skal omsættes i form for vejledning for apparatets drift.
- Operatøren skal under apparatets hele indsatstid kontrollere, at de af ham oprettede brugsanvisninger lever op til regelsættens aktuelle stand og om nødvendigt tilpasse disse.
- Operatøren skal entydigt regulere og fastlægge ansvaret for installation, betjening, fejlfinding, vedligehold og rengøring.
- Operatøren skal sørge for, at alle personer, som omgås apparatet, har læst og forstået denne vejledning. Derudover skal han med jævne mellemrum undervise personalet og informere det om farerne.
- Operatøren skal stille det nødvendige sikkerhedsudstyr til rådighed for personalet og forpligte det til at bære det nødvendige beskyttelsesudstyr.

Endvidere er operatøren ansvarlig for at sikre, at systemets fulde tekniske pålidelighed til enhver tid er garanteret.

#### GÆLDER DERFOR FØLGENDE:

- Operatøren skal sikre, at de vedligeholdelsesintervaller, der er angivet i denne manual, overholdes.
- Operatøren skal sikre, at alle sikkerhedsanordninger regelmæssigt kontrolleres for funktionssikkerhed og fuldstændighed.

## 2.4. KRAV TIL PERSONALET

### 2.4.1. KVALIFIKATIONER

De forskellige opgaver, der står beskrevet i denne vejledning, stiller forskellige krav til kvalifikationen af de personer, som får overdraget disse opgaver.



#### ADVARSEL!

- **Fare ved utilstrækkeligt kvalificerede personer!**
- Utilstrækkeligt kvalificerede personer kan ikke vurdere risici ved omgangen med apparatet og bringer sig selv og andre i fare for alvorlige eller dødelige personskader!
- Alle former for arbejde må alene udføres af dertil kvalificerede personer!
- Utilstrækkeligt kvalificerede personer skal holdes borte fra arbejdsområdet!

Alle former for arbejde må kun udføres af personer, om hvem det kan forventes, at de udfører arbejdet tilforladeligt. Personer, hvis reaktionsevne er påvirket, f.eks. pga. narko, alkohol eller medicin, er ikke tilladt.

I denne vejledning nævnes de i det følgende anførte kvalifikationer af personer til de forskellige opgaver.

#### GASTEKNIK-INGENIØR

Har faglig uddannelse, færdigheder, erfaring og viden med hensyn til relevante standarder og retningslinjer til at kunne udføre arbejde på trykregulerende systemer og erkende potentielle risici. Gasteknik-ingeniører er specielt uddannet med henblik på de respektive produktionssteder og deres specifikke standarder og retningslinjer.

#### TEKNIKER

Har faglig uddannelse, færdigheder og erfaring med hensyn til relevante standarder og retningslinjer til at kunne udføre arbejde på trykregulerende systemer og erkende potentielle risici.

DA

### 2.4.2. ADVARSEL OM UBEFØJEDE!



#### ADVARSEL!

- **Livsfare for ubeføjede på grund af farer i fare- og arbejdsområdet!**
- Ubeføjede personer, der ikke opfylder de her beskrevne krav, kender ikke farerne i arbejdsområdet. Derfor er der for ubeføjede fare for alvorlige personskader og endda død.
- Ubeføjede personer holdes borte fra fare- og arbejdsområdet!
- I tvivlstilfælde henvender man sig til personerne og anviser dem til at forlade fare- og arbejdsområdet!
- Afbryd arbejdet, så længe der befinder sig ubeføjede personer i fare- og arbejdsområdet!

### 2.4.3. UNDERVISNING

Operatøren skal med jævne mellemrum undervise personalet. For en bedre opfølgning oprettes en undervisningsprotokol med følgende minimumsindhold:

- Undervisningsdato
- Undervisningsmodtagernes navne
- Undervisningens indhold
- Underviserens navn
- Undervisningsmodtagerens og underviserens underskrifter

## 2.5. PERSONLIGT BESKYTTELSESUDSTYR

Personligt beskyttelsesudstyr tjener til at beskytte personer mod forringelse af sikkerheden og helbredet på arbejdet.

Personalet skal under de forskellige former for arbejde på og med apparatet bære personligt beskyttelsesudstyr, som der i de enkelte afsnit af denne vejledning gøres særskilt opmærksom på.

---

### ÅNDEDRÆTSVÆRN, UAFHÆNGIG AF DEN OMGIVENDE LUFT



Beskyttelse mod skadelige gasarter, damp, støv og lignende stoffer. Åndedrætsværn, f.eks. med trykluft, skal bruges, når et iltindhold over 17 % i den omgivende luft ikke kan garanteres og/eller en overskridelse af de tilladte grænseværdier for skadelige stoffer i den omgivende luft ikke kan udelukkes. Åndedrætsværn, der er uafhængige af den omgivende luft, må kun bruges af specielt uddannet personale.

---

### ÅNDEDRÆTSVÆRN, UAFHÆNGIG AF DEN OMGIVENDE LUFT



Beskyttelse mod skadelige gasarter, damp, støv og lignende stoffer. Åndedrætsværn, der er uafhængige af den omgivende luft, skal bruges, hvis en overskridelse af de tilladte grænseværdier for skadelige stoffer i den omgivende luft ikke kan udelukkes. Åndedrætsværn, der er uafhængige af den omgivende luft, må kun bruges ved et garanteret iltindhold over 17 % i indåndingsluften.

---

### BESKYTTELSESBRILLER



Beskyttelse mod flyvende dele og dråber.

---

### HANDSKER, KEMISK RESISTENTE



Beskytter hænderne mod aggressive stoffer. Sørg for at handskerne er tætte. Efter brug bortskaffes handskerne fagligt korrekt.

---

### BESKYTTELSESHANDSKER



Beskyttelse af hænderne mod mekaniske påvirkninger og varme såvel som kolde overflader.

---

### BRUG HØREVÆRN



Beskytter hørelsen mod for høje lyde og forebygger lydtraumer.

---

## 2.6. ADFÆRD VED ILDEBRAND OG ULYKKER

### FOREBYGGENDE FORHOLDSREGLER

- Vær altid forberedt på ildebrand og ulykker!
- Udstyr til førstehjælp (forbindskasser, tæpper osv.) og brandslukning skal være velfungerende og opbevares let tilgængeligt.
- Gør personalet fortroligt med alarm-, førstehjælps- og redningsudstyr.
- Hold adgangsveje tilgængelige for redningskøretøjer.

### FORHOLDSREGLER VED ILDEBRAND OG ULYKKER

- Hvis ikke der er fare for eget helbred, red personer ud af fareområdet.
- Om nødvendigt startes foranstaltninger til førstehjælp.
- Alarmer brandvæsen og/eller redningstjeneste.
- Ved ildebrand: Hvis ikke der er fare for eget helbred, bekæmp ilden med slukningsudstyr og fortsæt slukningsindsatsen, indtil brandvæsenet ankommer.
- Informer den ansvarlige på indsatsstedet.
- Frigør adgangsveje tilgængelige for redningskøretøjer.
- Vis vej for redningskøretøjer.



## 2.7. MILJØBESKYTTELSE



### HENVISNING!

- **Fare for miljøet på grund af forkert håndtering af miljøfarlige stoffer!**
- Ved forkert omgang med miljøfarlige stoffer, især ved forkert bortskaffelse, kan der opstå betydelige skader på miljøet.
- Overhold de forneden nævnte henvisninger vedrørende omgangen med miljøfarlige stoffer og deres bortskaffelse!
- Hvis miljøfarlige stoffer ved en fejl udledes i miljøet, tages straks egnede forholdsregler. I tvivlstilfælde informer straks den ansvarlige kommunale myndighed og spørg, hvilke egnede forholdsregler der bør tages!

## 2.8. SKILTNING



### ADVARSEL!

- **Fare ved skiltning der ikke kan læses!**
- I tidens løb er det muligt, at etiketter og skilte bliver snavsede eller ukendelige på anden vis, således, at farer ikke erkendes og nødvendige betjeningshenvisninger ikke kan overholdes. Dette medfører farer for personskader.
- Alle sikkerheds-, advarsel- og betjeningshenvisninger skal altid holdes i let læselig tilstand.
- Skadede skilte eller etiketter skal straks udskiftes.

### 2.8.1. PÅBUDSTEGN

- Ingen tegn

### 2.8.2. FORBUDSTEGN

- Ingen tegn

### 2.8.3. ADVARSELSTEGN



ADVARSEL MOD GASFLASKER



ADVARSEL MOD EKSPLOSIV  
ATMOSFÆRE

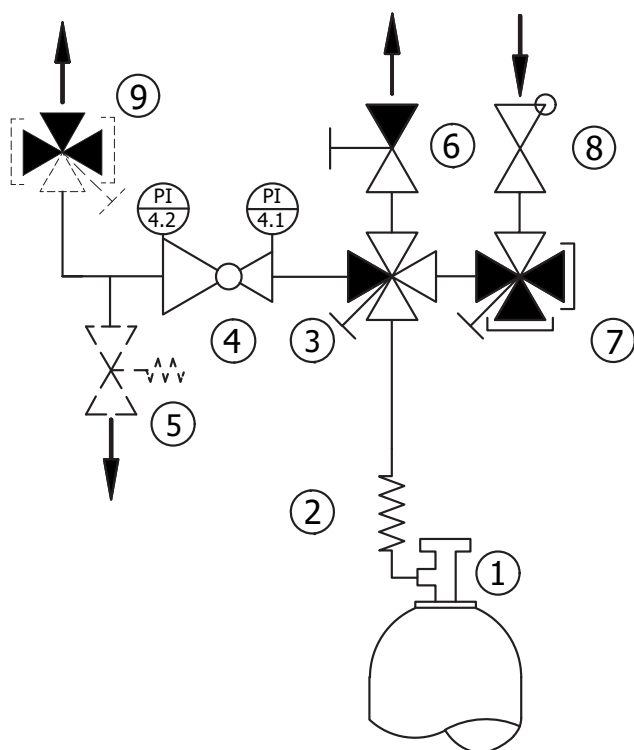


ADVARSEL MOD GIFTIG OG/  
ELLER KORROSIVE STOFFER

DA

### 3. TEKNISKE DATA

#### 3.1. FLYDESKEMA – S300/S200/S60

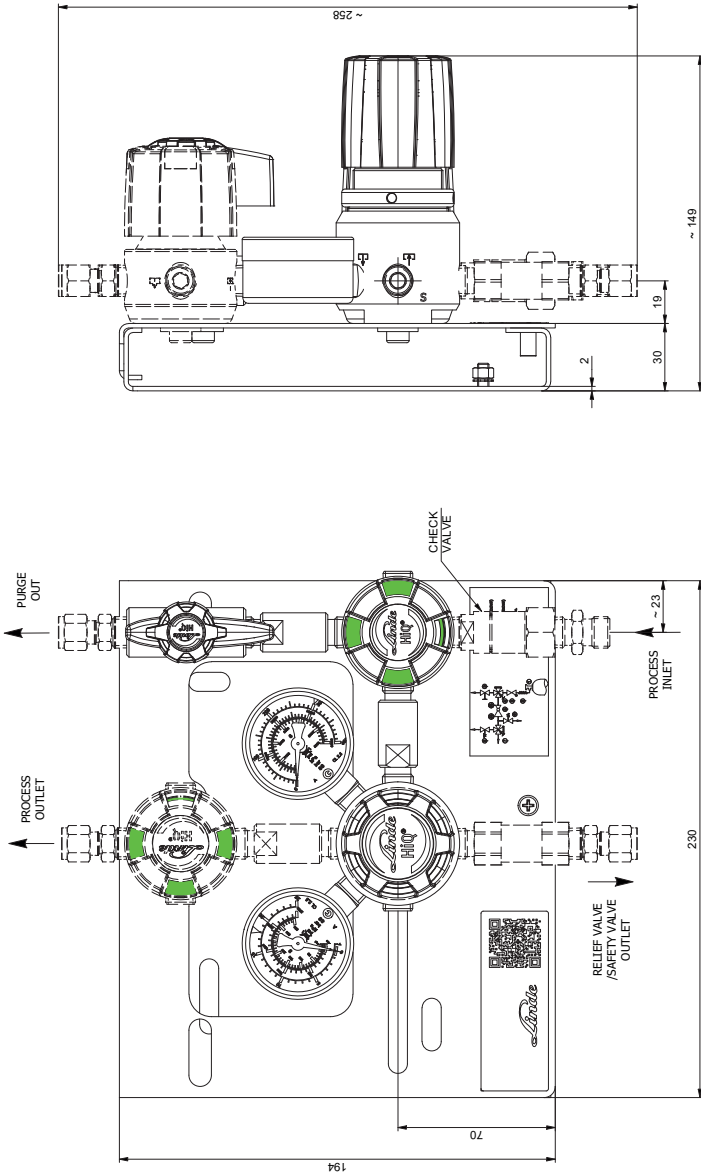


DA

- 1 – GASCILINDER
- 2 – SPOLE
- 3 – AFSPÆRRINGSVENTIL (3XIN, 1XOUT)
- 4 – TRYKREGULATOR MED IND/UD-MÅLER
- 5 – AFLASTNINGSVENTIL / SIKKERHEDSVENTIL, (OPT.)
- 6 – RENSEUDLØBSVENTIL
- 7 – RENSEINDLØBSVENTIL (1XIN, 3XOUT)
- 8 – KONTRAVENTIL
- 9 – AFSPÆRRINGSVENTIL (1XIN, 3XOUT); (OPT.)

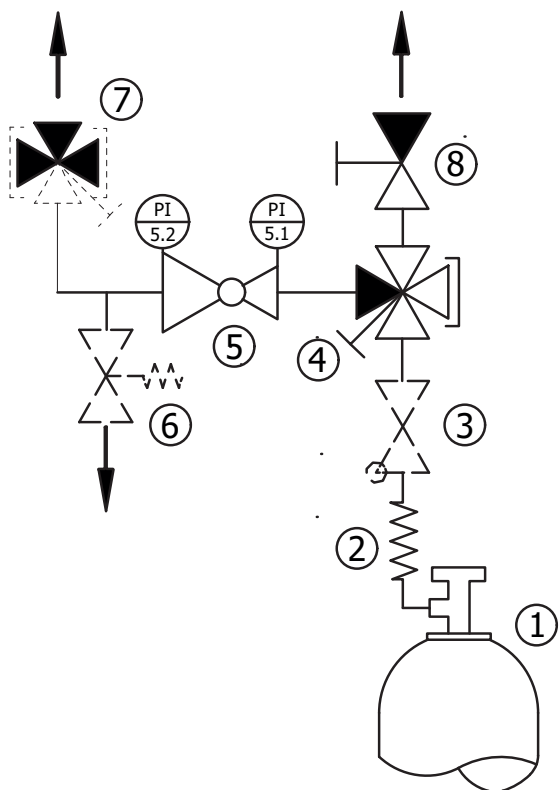
Muligheder vist som prikket linje

### 3.2. DATBLAD – S300/S200/S60



DA

### 3.3. FLYDESKEMA – S203

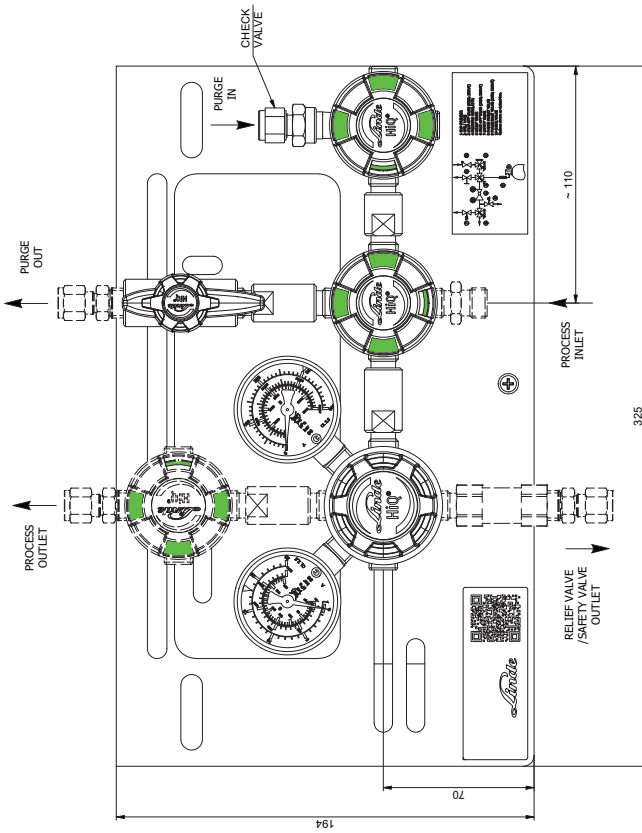
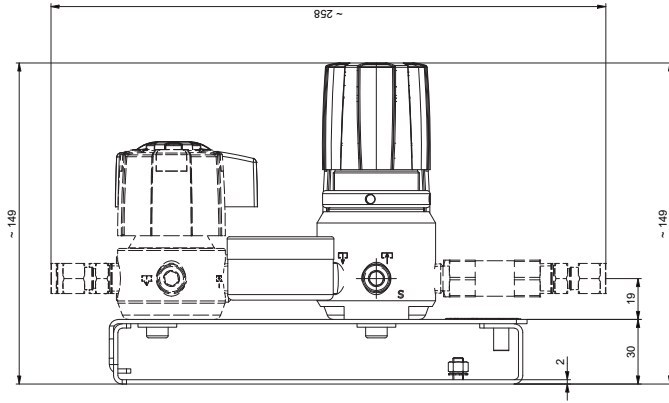


DA

- 1 – GASCILINDER
- 2 – SPOLE
- 3 – KONTRAVENTIL (OPT.)
- 4 – AFSPÆRRINGSVENTIL (3XIN, 1XOUT)
- 5 – TRYKREGULATOR MED IND/UD-MÅLER
- 6 – AFLASTNINGSVENTIL / SIKKERHEDSVENTIL, (OPT.)
- 7 – AFSPÆRRINGSVENTIL (1XIN, 3XOUT), (OPT.)
- 8 – RENSEUDLØBSVENTIL

Muligheder vist som prikket linje

### 3.4. DATABLAD – S203



DA

### 3.5. GENERELLE OPLYSNINGER

Oplysning	S300/S200/S60-BC	S300/S200/S60-SS
maks. vægt[kg]	5,25	8,57
Længde [mm]	230	230
Bredde [mm]	150	150
Højde [mm]	194	194

Oplysning	S203-SS
maks. vægt[kg]	6,97
Længde [mm]	325
Bredde [mm]	150
Højde [mm]	194

### 3.6. TILSLUTNINGSVÆRDIER

DA

Oplysning	Værdi	Enhed
Indgang	NPT 1/4" hun flere adaptere til rådighed	metrisk tommer
Udgang	1/8", 1/4", 3/8", 1/2" 3, 6, 8, 10, 12	Klemringe tommer Klemringe mm
Overtryksventil / skylleventil hvis de findes	1/4", 3/8", 1/2" 6, 8, 10, 12	Klemringe tommer Klemringe mm
Sikkerhedsventil	NPT 1/2" hun	tommer

### 3.7. EFFEKTFAKTOR

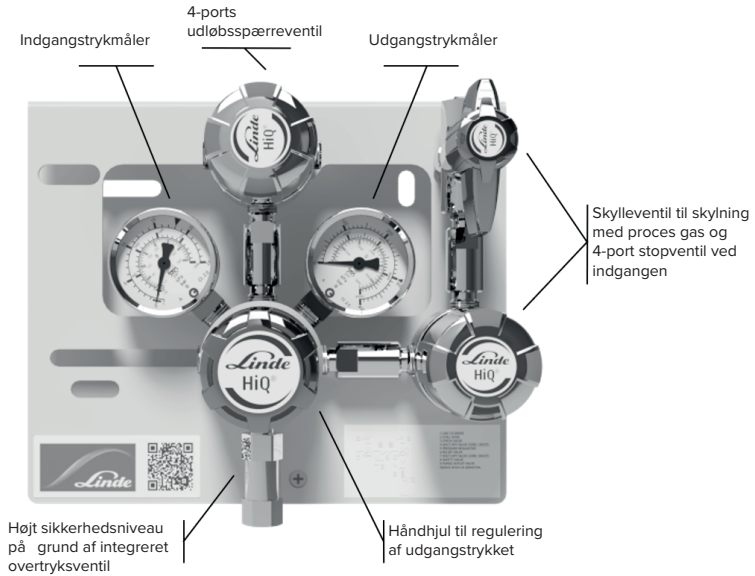
Oplysning	Værdi	Enhed
Nominelt gennemløb	20 (trykluft)	m <sup>3</sup> /h
Indgangstryk (maks.)	S300: 300 S203: 200 S200: 200 S60: 60	bar
Udgangstryk (maks.)	200	bar

### 3.8. DRIFTSBETINGELSER OMGIVELSER

Oplysning	Værdi	Enhed
Temperaturområde	-20 till +60	°C
Relativ luftfugtighed (maks.)	98	%

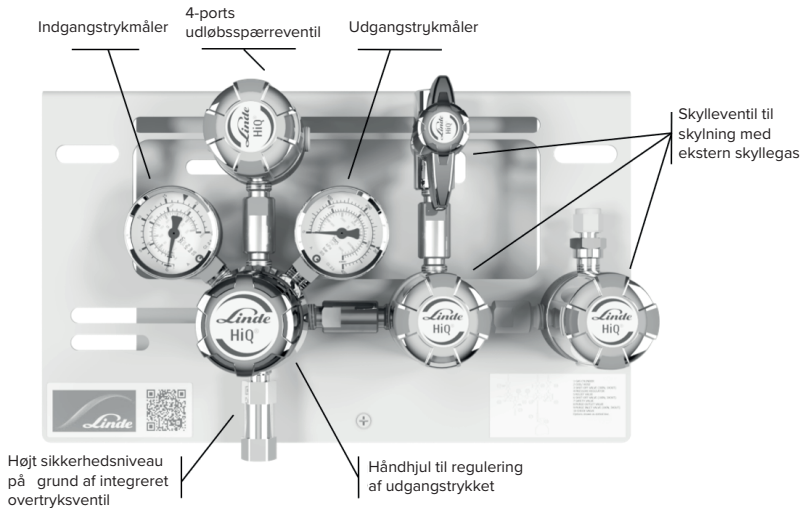
## 4. KONSTRUKTION OG FUNKTION

### 4.1. KONSTRUKTION – S300/S200/S60



DA

### 4.2. KONSTRUKTION – S203



### 4.3. KORT BESKRIVELSE

Igennem afspændingsstationerne af typen S300/S200/S60-BC...(materiale: messing forkromet) afspændes en industriel, ikke-giftig eller ætsende gas eller gasblanding, som opbevares i en trykgasbeholder/ et bundt af trykgasbeholdere under overtryk, fra et maksimalt tryk på op til 300 bar til et rørdningstryk (3 bar, 6 bar, 10 bar, 14 bar, 28 bar, 50 bar, 100 bar, 200 bar).

Ved hjælp af afspændingsstationer af typen **S300/S200/S60/S203-SS...**(materiale: rustfri stål) afspændes også giftig eller ætsende gas eller gasblanding, som opbevares i en trykgasbeholder/ et bundt af trykgasbeholdere under overtryk, fra et maksimalt tryk på op til 300 bar til et rørledningstryk (3 bar, 6 bar, 10 bar, 14 bar, 28 bar, 50 bar, 100 bar, 200 bar).

En overtryksventil i stationens trykmindsker sikrer dens bagtryksområde mod utilsladelig trykstigning pga. en lækage i trykmindsker-pasningen. Hertil kan komme sikkerhedsventil og/eller kontraventil.

Det faktiske for- og bagtryk på stationens trykmindsker vises ved hjælp af en Bourdon-trykmåler. Det er muligt at bruge kontaktrykmålere, både i trykmindskerens for- og bagtryksområde.

Hvis stationen har et skyllesystem med egen gas, kan stationens højtryksområde skylles rent for eventuelle forureninger før deres ibrugtagning. Derudover er det ved hjælp af dette system muligt at aflaste stationens højtryksområde før udskiftning af flaskerne.

Hvis stationen derudover har en fremmedgasskylning (S203), kan stationens højtryksområder før deres ibrugtagning skylles rent med inaktiv skyllegas for at garantere en sikker udskiftning af flasker og/eller en sikker vedligeholdelse. Versionen med fremmedgasskylning fås kun i afspændingsstationens udgave af rustfri stål.

Alle foroven beskrevne systemer er fastgjort på en fælles konsol af rustfri stål. Igennem tilstrækkelig stor dimensionering af denne konsol er alle stationens enkeltkomponenter tilstrækkeligt beskyttet imod skader under transporten i pakken og i monteret tilstand. Den delte udførelse af konsollen gør det muligt nemt at fastgøre den, så den vejer mindre. En åbning i konsollens frontplade muliggør udskiftningen af trykmåleren uden afmontering af konsollen fra stationen og den dermed forbundne afmontering fra forsyningssystemet. På grundpladen befinder der sig på hver side af stationen en boring til fastgørelse af flasketilslutningsslanger pr. karabinhage. Stationens tilslutning til den lokale potentialeudligning kan ske ved hjælp af en på konsollens grundplade anbragt skrue.

Udvikling, fremstilling og produktionskontrol af ovennævnte systemer sker bl.a. ved overholdelse af følgende standarder:

- Trykmindsker- ISO 7291
- Ventiler- ISO 10297
- Trykmåler EN 837-1
- Hele stationens mekanisk beskyttelse mod eksplosion- ISO80079-36; IEC 60079-32-1; TRGS 727

## 5. TRANSPORT, EMBALLERING OG OPBEVARING



### TIP OG ANBEFALINGER!

- Installation og den første ibrugtagning udføres helst af medarbejdere hos producenten eller af personer, der er autoriseret af producenten.
- Det kan dog ske, at håndteringen af pakker, indenfor rammerne af installationen og den videre brug, betros til operatørens betjenings- eller vedligeholdelsespersonale. Derved overholdes de i det følgende anførte henvisninger ubetinget.

### 5.1. SIKKERHEDSHENVISNINGER FOR TRANSPORTEN



#### HENVISNING!

- **Tingskader på grund af uhensigtsmæssig transport!**
- Ved uhensigtsmæssig transport er det muligt, at transportstykker falder eller vælter. Derved kan der opstå tingskader af anselig størrelse.
- Ved afladningen af transportstykker under leveringen samt ved transport i virksomheden bør der udvises forsigtighed, og symbolerne og henvisningerne på emballagen bør overholdes.
- Brug kun de dertil beregnede anslagspunkter.
- Fjern først emballagen kort tid før montagen.

### 5.2. TRANSPORT INSPEKTION

Leveringen kontrolleres straks ved modtagelsen for fuldstændighed og transportskader.

VED SYNLIGE TRANSPORTSKADER GØR SOM FØLGER:

- Undlad at tage imod leveringen, eller tag imod den med forbehold.
- Mærker skadens omfang på transportpapirerne eller på transportørens følgeseddel.
- Indled reklamationen.





#### TIPS OG ANBEFALINGER!

- Anmeld hver mangel, så snart den erkendes. Krav om skadeserstatning kan kun gøres gældende indenfor garantitiden.

### 5.3. EMBALLAGE

De enkelte pakker er emballeret, så de lever op til de forventede transportbetingelser. Til indpakningen er udelukkende brugt miljøvenlige materialer.

Emballagen skal beskytte de enkelte komponenter mod transportskader, korrosion og andre skader indtil montagen. Derfor må emballagen ikke ødelægges, men må først fjernes kort før montagen.



#### HENVISNING!

- **Fare for miljøet på grund af forkert bortskaftelse!**
- Emballagematerialer er værdifulde råmaterialer og kan i mange tilfælde bruges videre eller behandles og genanvendes. Forkert bortskaftelse af emballagematerialer kan medføre fare for miljøet.
- Emballagematerialer skal bortskaftes miljøvenligt.
- Overhold de gældende lokale forskrifter vedrørende bortskaftelse. Om nødvendigt uddelegeres bortskaftelsen til et specialfirma.

### 5.4. OPBEVARING

Pakkerne opbevares under følgende betingelser:

- Må ikke opbevares udendørs.
- Opbevares tørre og støvfri.
- Må ikke udsættes for aggressive medier.
- Beskyttes mod direkte sollys.
- Undgå mekaniske rystelser.
- Opbevaringstemperatur: 15 til 35 °C.
- Relativ luftfugtighed: maks. 60 %.
- Ved opbevaring længere end 3 måneder kontrolleres alle deles og emballagens generelle tilstand med jævne mellemrum. Om nødvendigt genopriskes eller fornyes konserveringen.

DA



#### TIPS OG ANBEFALINGER!

- Under visse omstændigheder står der på pakkerne henvisninger til opbevaringen, som går ud over de her nævnte krav. Disse skal overholdes.

## 6. INSTALLATION OG FØRSTE IBRUGTAGNING

### 6.1. SIKKERHEDSINSTRUKTIONER FOR INSTALLATIONEN OG DEN FØRSTE IBRUGTAGNING

#### PERSONALE

Installationen og den første ibrugtagning må kun udføres af kvalificeret personale.

### 6.2. FORBEREDELSE

#### AT PAKKE UD

- Komponenterne skal pakkes ud forsigtigt og med omtanke.
- Ekstra emballage fjernes ligeledes.
- Alle komponenter undersøges for eventuelle transportskader

#### AFLASTNING

- Gastryk i eventuelt bestående anlæg aflastes, skylles evt. med inaktiv gas
- Rørledning i eventuelt bestående anlæg skilles ad med specialværktøj. undgå eventuelle spåner
- Sørg for at tilslutningsdelene er i perfekt tilstand og rene

## 6.3. INSTALLATION

Installation og første idriftsættelse må kun udføres af kvalificeret personale.

Afspændingsstationens grundplade fastgøres i en montagehøjde på 164 cm.

Frontpladen med afspændingsstationen hænges ind i grundpladen og fastgøres fornedet i midten med den medleverede skrue.

Grundpladen jordes via den medleverede skrue.

Afspændingsstationen monteres normalt med klemringforskrutninger på procesgasudgangen, overtryksventilen samt ind- og udgangene for skyllegas.

Hvis disse forefindes, tilsluttes sikkerheds- og/eller kontraventilen ligeledes.

Først fjernes tilslutningernes lukkehætter.

Montagen sker, ved at rørledningen føjes fuldstændigt ind i forskrutningen. Derefter skrues omløbermøtrikken på med hånden og spændes fast med en gaffelnøgle (1 ¼ omdrejninger) (første installation

1 1/4 omdrejninger for rørledninger større end 1/8 tomme og 3/4 omdrejninger for rørledninger med 1/8 tomme eller mindre, geninstallation 1/4 omdrejninger for alle rørledninger).

Overtryksledningen tilsluttes på samme måde til overtryksventilen. Overtryks- og overtryksledningen må IKKE føres sammen og skal føres ud i det fri uden at være farlig, og dette gælder ligeledes, hvis der findes en tilslutning af ledningen til sikkerhedsventilen.

Til tilslutningen af gasflaskerne til afspændingsstationen bruges standard tilslutningsspiraler og tilslutningsslang (tilbehør, der kan leveres).

Tilslutningsspiralen / tilslutningsslangen leveres altid separat. Ledningens / slangens korrekte tilordning skal altid kontrolleres. Flasketilslutningsnummeret er slået ind i tilslutningsmøtrikken. Der findes henholdsvis kun en udgave af tilslutningsspiralerne / tilslutningsslangerne. Denne er egnet til tilslutning i venstre og højre side af afspændingsstationen.

Til monteringen af tilslutningsspiralen / tilslutningsslangen til afspændingsstationen fjernes først plasthætten fra tilslutningsspiralens / tilslutningsslangens gevind og fra afspændingsstationen. Sørg for, at den med tilslutningsspiralen / tilslutningsslangen medleverede flade pakning er lagt ind i overløbermøtrikken.

Skrue derefter først overløbermøtrikken på tilslutningsgevindet ved afspændingsstationens indgang på med hånden og spænd efter med en gaffelnøgle. Ved brug af en tilslutningsslange kan fanglinen med karabinhagen hænges fornedet i grundpladen.

Til tilslutningsspiralens / tilslutningsslangens tilslutning til gasflasken skal flaskeventilens og overløbermøtrikkens gevind være i perfekt tilstand.

Ved hver ny tilslutning bruges en ny pakning. Det er kun tilladt at bruge producentens tilslutningsspiraler og tilslutningsslang, der svarer til den brugte gasart.

Kontroller de flade pakningers korrekte placering i tilslutningsspiralens eller tilslutningsslangens tilslutningsstuds. Det er ikke tilladt at bruge nøgleforlængere til spænding af skrue, da gevind og pakninger i modsat fald bliver ødelagt. Dette kan medføre en lækage.

## 6.4. FORUDSÆTNINGER FOR DEN FØRSTE IBRUGTAGNING

- Rørsystemernes testprotokoller med hensyn til tæthed foreligger, ved forespørgsel også for fugt og partikler.
- Procesgasledningerne, skyllegasledningerne og overtryksledningerne samt ledningerne på sikkerheds- og/eller kontraventiler (hvis disse findes) er tilsluttet.
- I procesgasledningen er der kun standardgas. (se punkt 1.2)
- Ibrugtagningen må kun udføres af instrueret fagpersonale.
- Brug beskyttelsestøj ifølge forskrifterne.
- Brug et specialværktøj, der ikke afgiver gnister, og læg det parat før ibrugtagningen.
- Ved hjælp af typeskiltet kontrolleres det før den første ibrugtagning, om den foreliggende afspændingsstation er egnet til det dertil beregnede formål (gas, tryk, råmaterialer osv.)

## 6.5. FØRSTE IBRUGTAGNING

- Alle forudsætninger ifølge punkt 6.4 er opfyldt
- Trykregulatoren af det andet tryktrin er afspændt (lukket)
- Alle ventiler, der befinder sig på afspændingsstationen, er lukket



### ADVARSEL!

- Der skal ubetinget sørges for, at afspændingsstationen ikke belastes med større tryk end det tilladte driftstryk.
- Før ibrugtagningen skal det sikres, at ingen kan komme i fare på grund af ibrugtagningen af trykapparatet.

### 6.5.1. PROCESGASSKYLNING (S300/S200/S60)

Afspændingsstationer med skylning med egen gas S300/S200/S60 bruges, så den atmosfæreluft, der under udskiftning af flasker er trængt ind i systemet, kan fjernes, og skrueledningen eller tilslutningsslangen til udskiftning af flasker kan aflastes. Sørg for, at overtryksledningen er tilsluttet.

1. Ventilen til rensning af procesgas er lukket, vippen er tværgående i forhold til strømningsretningen (2-portsventil).
2. Trykregulatoren er afspændt (lukket).
3. Luk indgangsspærventilen, rød markering er synlig (4-portsventil).
4. Nu er indgangsstopventilen kun lukket i retning mod trykmindsker. Vejen i retning mod ventilen til skylning med procesgas er fri.
5. Åbn flaskeventilen langsomt.
6. Procesgas strømmer ind i tilslutningsspiralen /tilslutningsslangen.
7. Luk flaskeventilen igen.
8. Åbn kort ventilen til skylning med procesgas og lad den mængde gas, som nu befinder sig i tilslutningsspiralen / tilslutningsslangen slippe ud via skyllegasledningen.
9. Luk derefter straks ventilen til skylning med procesgas igen.

*SKRIDTENE 4. – 9. GENTAGES MINDST 10 GANGE*

### 6.5.2. FREMMEDGASSKYLNING (S300/S200/S60)

Afspændingsstationer med fremmedgasskylning S300/S200/S60 bruges, så giftig og/eller ætsende gas kan fjernes før udskiftning af flaskerne, og skrueledningen eller tilslutningsslangen til udskiftning af flasker kan aflastes. Sørg for, at en overtryksledning er tilsluttet.

1. Kontroller, om en skylleindgang, skylleudgang, indgange for procesgas, overtryksledning og eventuelt sikkerhedsventilen er tilsluttet korrekt.
2. Luk alle ventiler, de røde markeringer skal være synlige (4-port).
3. Trykmindsker lukkes ved at dreje håndhjulet mod uret.
4. Åbn indgangsskylleventilen.
5. Luk indgangsskylleventilen igen. Lad den indstrømmede gas forblive i komponenterne i nogle få sekunder.
6. Åbn udgangsskylleventilen kort og lad skyllegassen komme ud.
7. Luk udgangsskylleventilen igen

*SKRIDTENE 4. – 7. GENTAGES MINDST 10 GANGE FOR AT OPNÅ ET PERFEKT SKYLLERESULTAT*

### 6.5.3. FYLDNING AF PROCESGASLEDNINGEN MED PROCESGAS

Før ibrugtagning og fyldning af det efterfølgende ledningssystem gennemføres skylning med egen gas (se punkt 6.5.1) eller fremmedgasskylning (se punkt 6.5.2) alt efter afspændingsstationens udgave. Af sikkerhedsgrunde anbefaler vi under alle omstændigheder, at der monteres en overtryksledning.

1. Kontroller, at tilslutningsspiral / tilslutningslange, skylle-, proces-, sikkerheds- og overtryksledningen er tilsluttet korrekt.
2. Luk alle afspændingsstationens ventiler, så den røde markering er synlig (4-port).
3. Drej trykregulatorens håndhjul mod uret – hermed er gennemløbet lukket.
4. Åbn flaskeventilen langsomt
5. Åbn indgangs-stopventilen **L A N G S O M T**
6. Nu er afspændingsstationen i drift.
7. Det anbefales, at afspændingsstationen kontrolleres daglig, og at trykket tjekkes.

*VI ANBEFALER AT KONTROLLERE MANIFOLDEN OG MANOMETERET DAGLIGT*

### 6.5.4. UDSKIFTNING AF FLASKER

- MAK-værdier (se tekniske regler for farlige stoffer, TRGS 900) overholdes
1. Luk flaskeventilen på gasflasken
  2. Luk indgangsstopventilen i siden af den tomme gasflaske
  3. Ventil til skylning med egen gas / udgangsskylleventilen åbnes for at afspænde tilslutningsspiralen eller tilslutningsslangen.
  4. S300/S200/S60: Gennemfør skylning med egen gas (se punkt 6.5.1)  
S203: Gennemfør skylning med fremmed gas (se punkt 6.5.2)
  5. Luk indgangsstopventilen i siden med den tomme gasflaske
  6. Løsn tilslutningsspiralen /tilslutningsslangen fra den tomme gasflaskes flaskeventil
  7. Tilslut en ny brugsgasflaske, og brug **ALTID** nye flade pakninger

DA

FØR FORNYET IBRUGTAGNING:

8. S300/S200/S60: Gennemfør skylning med egen gas (6.5.1)  
S203: Gennemfør skylning med fremmed gas (6.5.2).
9. Fyld tilslutningsspiralen / tilslutningsslangen med procesgas.

### 6.5.5. NÅR ANLÆGGET TAGES UD AF BRUG

Luk afspændingsstationen ved at dreje trykregulatorhåndhjulet mod uret.

Lukningen af trykregulatoren garanterer ikke tæthed, for der kan slippe gas ud igennem, slangerne eller den tilsluttede forbruger.

Luk for brugsgas-stopventilen.

Af sikkerhedsgrunde luk også altid flaskeventilen.

VED EN KOMPLET UDBYGNING AF AFSPÆNDINGSSTATIONEN BEMÆRK FØLGENDE:



#### FARE!

- Trykregulatoren og ledningen afspændes igennem afledning af gas via forbrugeren. Indgangs- og udgangstrykmålerens visere skal stå helt på „0“.
- Om nødvendigt gennemføres en skylning med egen og fremmed gas.
- Tag de nødvendige forholdsregler til personbeskyttelse.
- Overhold MAK-værdierne.
- Der skal ubetinget sørges for, at afspændingsstationen ikke belastes med større tryk end det tilladte driftstryk.
- Før ibrugtagningen skal det sikres, at ingen kommer i fare, fordi trykapparaterne tages i brug.

DA

### 6.6. KONTROLLER

- Efter trykaflastningen kontrolleres trykregulatorens funktion.
- Kontroller, at overtryksventilen er tæt. Ventilen skal være bobletæt.
- Kontroller, at alle ventiler er tætte. Ventilen skal være bobletæt.

## 7. OPERATION

Driften af afspændingsstationen er i henhold til kapitel 2.1 defineret for standardgas.



#### FORSIGTIG!

- Håndventiler skal altid åbnes langsomt og forsigtigt for at undgå trykstød i systemet og beskytte andre komponenter.

## 8. VEDLIGEHOLDELSE

### 8.1. SIKKERHEDSHENVISNINGER FOR VEDLIGEHOLDELSEN



#### HENVISNING!

- Vedligeholdelse må kun udføres af kvalificeret, uddannet og autoriseret personale. (se kapitel 2.4).

### 8.2. VEDLIGEHOLDELSPLAN

I de næste afsnit beskrives vedligeholdelsesarbejde, som er nødvendigt for optimal og fejlfri drift af apparatet.

I fald der ved regelmæssige kontroller lægges mærke til øget slitage, skal de nødvendige vedligeholdelsesintervaller afkortes, så de svarer til den faktiske slitage.



#### HENVISNING!

- Ved alle spørgsmål vedrørende vedligeholdelsesarbejde og vedligeholdelsesintervaller kontakt kundeservicetjenesten.

Interval	Vedligeholdelsesarbejde	Personal
Ugentigt	Alle komponenter kontrolleres visuelt	Kvalificeret person (TRBS 1203)
En gang om året	Driftskontrol af funktion og tæthed, kontrol af alle sikkerhedsrelevante dele	Kvalificeret person (TRBS 1203)
Hvert 10. år	Generel istandsættelse og udskiftning af alle sliddele	Kvalificeret person (TRBS 1203)

## 8.3. VEDLIGEHOLDELSesarBEJDE

### 8.3.1. RENSNING



#### HENVISNING!

- Rengøringsmidler skal kunne tåles af de materialer, som de kommer i berøring med.

### 8.3.2. FORUDSÆTNING FOR VEDLIGEHOLD

*FØR VEDLIGEHOLDELSEN BEGYNDER, SKAL DET KONTROLLERES, AT*

- Gasforsyningen er afbrudt og sikret.
- Afspændingsstationen er fri for tryk.
- Trykregulatoren er afspændt.
- Ventilen er lukket.
- Der ikke længere er procesgas i systemet.
- systemet blev skyllet rent med en inaktiv gas.

DA

### 8.3.3. NØDVENDIG VEDLIGEHOLDELSE

- Kontrol af, at trykkets værdier vises nøjagtigt.
- Afspændingsstation, trykregulator, ventiler og trykvisninger: Kontroller tilstanden for funktion, tilstand og markering.
- Kontrol af markeringen.
- Kontrol for korrosion.
- Kontrol af funktionen.
- Test tætheden med enkelt driftstryk i 12 timer.
- Slidte og defekte komponenter udskiftes straks, og dette arbejde skal under alle omstændigheder gennemføres af et autoriseret specialfirma.
- Ventilernes design følger ISO 10297. Indeholdt deri er en typetest, hvorved ventilen har gennemgået en livstidstest på op til 2000 cyklusser. Efter 2000 cyklusser udskiftes indvendige dele, der kommer i berøring med mediet, og dette arbejde skal under alle omstændigheder gennemføres af et autoriseret specialfirma.
- Hvis der opdages utætheder eller overdreven korrosion på afspændingsstation/trykregulator eller ventil, skal disse udskiftes komplet imellem den næste mulige opløselige forbindelse, og dette arbejde udføres ligeledes af et autoriseret specialfirma.
- Efter udskiftningen af komponenter eller rørledningsmodul udføres og logges nye tryktest.

## 8.4. FORHOLDSREGLER EFTER GENNEMFØRT VEDLIGEHOLDELSE

*EFTER VEDLIGEHOLDELSesarBEJDETS AFSLUTNING OG FØR DEN NYE IBRUGTAGNING AF AFSPÆNDINGSSTATIONEN, RYKREGULATOREN ELLER VENTILEN GENNEMFØRES DE FØLGENDE SKRIDT:*

1. Sørg for, at alt brug værktøj, alle materialer og andet udstyr er fjernet fra arbejdsområdet.
2. Rengør arbejdsområdet og fjern eventuelt spildte stoffer, som f.eks. væsker, råmaterialer og lignende.
3. Sørg for, at alle systemets sikkerhedsindretninger fungerer upåklageligt.

## 9. FEJL

I det følgende kapitel er beskrevet mulige årsager for fejl og det arbejde, er skal rette dem. Hvis der opstår flere fejl, skal vedligeholdelsesintervallerne forkortes, så de svarer til den faktiske belastning. Ved fejl, der ikke kan rettes ved hjælp af de følgende henvisninger, kontakt producenten.

### 9.1. SIKKERHEDSHENVISNINGER FOR RETTELSEN AF FEJL

Ved fejl skal gasforsyningen altid afbrydes, trykregulatoren afspændes og ventilerne lukkes. Gennemfør under ingen omstændigheder vedligeholdelsesarbejde på komponenter under tryk.

*ADFÆRD VED FEJL:*

1. Gasforsyningen afbrydes og sikres.
2. Trykregulatoren afspændes, ventiler lukkes.
3. Kun kvalificeret personale må rette fejl.
4. Genopret apparatets udgangstilstand.

DA

Beskrivelse	Årsag	Løsning	Ventiler	Flasketrykregulator	Ledningstrykregulator	Afspændingsstationer
Intet gennemløb (indgangstrykmåleren viser tryk, udgangstrykmåleren gør ikke)	Trykregulator lukket	Åbn trykregulatoren langsomt Luk skylleventilen		<input checked="" type="checkbox"/>	<input checked="" type="checkbox"/>	<input checked="" type="checkbox"/>
Intet gennemløb (begge trykmålere viser nul)	Flaskeventil lukket Brugsgasventil lukket Trykregulator lukket Spiral/slange ikke tilsluttet	Ibrugtagning ifølge punkt 6. Installation og første ibrugtagning		<input checked="" type="checkbox"/>	<input checked="" type="checkbox"/>	<input checked="" type="checkbox"/>
Intet gennemløb	Trykregulator lukket	Åbn trykregulatoren langsomt	<input checked="" type="checkbox"/>			
Bagtrykket stiger og overtryksventilen åbnes	Lækage i trykregulatorpasningen	Reparation udføres af producent		<input checked="" type="checkbox"/>	<input checked="" type="checkbox"/>	<input checked="" type="checkbox"/>
Let stigning af bagtrykket og overtryksventilen åbnes ikke	Fald af fortryk	Ingen fejl, normal driftstilstand		<input checked="" type="checkbox"/>	<input checked="" type="checkbox"/>	<input checked="" type="checkbox"/>
Let stigning af bagtryk	Forskel imellem tilgangstryk (med gennemløb) og dynamisk tryk (intet gennemløb)	Ingen fejl, normal driftstilstand		<input checked="" type="checkbox"/>	<input checked="" type="checkbox"/>	<input checked="" type="checkbox"/>

Beskrivelse	Årsag	Løsning	Ventiler	Flasketrykregulator	Ledningstrykregulator	Afspændingsstationer
Let fald af bagtryk	Forskel imellem dynamisk tryk (intet gennemløb) og tilgangstryk (med gennemløb)	Ingen fejl, normal driftstilstand		<input checked="" type="checkbox"/>	<input checked="" type="checkbox"/>	<input checked="" type="checkbox"/>
Stærkt fald af bagtryk	Nødvendigt gennemløb for trykregulator for stort	Valg af en ny trykregulator for nødvendigt tryk og gennemløb		<input checked="" type="checkbox"/>	<input checked="" type="checkbox"/>	<input checked="" type="checkbox"/>
Stærkt fald af bagtryk	Utæt procesgasledning	Kontroller procesgasledning		<input checked="" type="checkbox"/>	<input checked="" type="checkbox"/>	<input checked="" type="checkbox"/>
Udgangstryk for højt	Forkert indstillet regulator	Indstilling af trykregulator tilpasses, justeres, vedligehold		<input checked="" type="checkbox"/>	<input checked="" type="checkbox"/>	<input checked="" type="checkbox"/>
Bagtryk stiger straks til anslag eller bagtryk stiger langsomt over den indstillede værdi og overtryksventilen blæser af	Forurening eller beskadigelse af pasningen "stiger"	Reparation udføres af producent		<input checked="" type="checkbox"/>	<input checked="" type="checkbox"/>	<input checked="" type="checkbox"/>
Lyde under driften	Nødvendigt gennemløb for trykregulator for stort	Valg af en ny trykregulator for nødvendigt tryk og gennemløb		<input checked="" type="checkbox"/>	<input checked="" type="checkbox"/>	<input checked="" type="checkbox"/>
Ingen forandring af ventilstyringen på trods af at håndhjulet drejes	Håndhjul defekt på grund af for højt omdrejningsmoment, spindel defekt, gevind defekt	Reparation udføres af producent	<input checked="" type="checkbox"/>	<input checked="" type="checkbox"/>	<input checked="" type="checkbox"/>	<input checked="" type="checkbox"/>
Fugtighed af trykregulator (INGEN dug, regn eller sne)	Trykregulator trækker energi ud af miljøet vha. gasafspænding	Ingen fejl Normal driftstilstand		<input checked="" type="checkbox"/>	<input checked="" type="checkbox"/>	<input checked="" type="checkbox"/>

DA

Beskrivelse	Årsag	Løsning	Ventiler	Flasketrykregulator	Ledningstrykregulator	Afspændingsstationer
Isdannelse på trykregulator (INGEN dug, regn eller sne)	Trykregulator trækker energi ud af miljøet vha. gasafspænding, begrænset leveringsydelse af trykgasbeholderen, f.eks. ved N <sub>2</sub> O, CO <sub>2</sub>	Ingen fejl Normal driftstilstand: OBS! Hold øje med kontaktrykmålerens funktion, og antallet af trykgasbeholdere		☑	☑	☑

Denne tabel hævder ikke at være fuldstændig. Ved spørgsmål og uklarheder kontakt producenten.

## 10. AFMONTERING OG BORTSKAFFELSE

Efter apparatets brugstid er nået, skal apparatet afmonteres og tilføres en miljøvenlig metode til bortskaffelse.

DA

### 10.1. SIKKERHEDSHENVISNINGER FOR DEMONTERING OG BORTSKAFFELSE



#### ADVARSEL!

- **Fare for personskader ved uhensigtsmæssig afmontering!**
- Oplagrede rest-energi, kantede komponenter, spidser og hjørner på og i apparatet eller på de nødvendige værktøjer kan medføre personskader.
- Sørg for nok plads, før arbejdet begynder.
- Omgås komponenter med åbne og skarpe kanter med forsigtighed.
- Sørg for orden og renlighed på arbejdspladsen!
- Komponenter og værktøj, der ligger og flyder, kan forårsage ulykker.
- Komponenter afmonteres faglig korrekt. Bemærk komponenternes til dels store egen vægt. Om nødvendigt bruges løfteudstyr.
- Sørg for, at komponenterne ikke falder ned eller vælter.
- I tvivlstilfælde kontakt producenten.

### 10.2. AFMONTERING

#### FØR AFMONTERINGEN BEGYNDER

Afspændingsstationens trykregulatorens andet tryktrin lukkes ved, at håndhjulet drejes mod uret. Afspændingsstationens trykregulator afspændes, og det sikres, at der ikke længere er procesgas i afspændingsstationens indre.

Stationens højtryksside aflastes via skyllegas-ventilen.

Alt efter versionen gennemføres en skylning med egen gas eller fremmedgas.

Drifts- og hjælpepestoffer samt rester af råmaterialer fjernes og bortskaffes miljøvenligt.

Rengør efterfølgende moduler og komponenter fagligt korrekt og skil dem ad under overholdelse af gældende lokale arbejdssikkerheds- og miljøforskrifter.



#### ADVARSEL!

- **Undlad at åbne systemet, mens det stadig indeholder giftig og/eller korroderende gas!**



### 10.3. BORTSKAFFELSE

Såfremt der ikke er lavet aftale om tilbagelevering eller bortskaffelse, gives de adskilte bestanddele til genbrug:

Metaller skrottes.

Plastelementer gives til genbrug.

Øvrige komponenter bortskaffes sorteret efter materialernes beskaffenhed.

I henhold til artikel 33 i REACH-forordningen forpligter selskabet GCE, s.r.o. sig som ansvarlig producent til at informere alle kunderne om det, hvis materialerne indeholder 0,1 % eller mere af de på listen anførte bekymrende stoffer (SVHC).

De messinglegeringer, der oftest bruges til kroppe og andre messingkomponenter, indeholder 2-3 % bly (Pb), EF-nr. 231- 468-6, CAS-nr. 7439-92-1. Ved normal brug afgives bly ikke til gas eller miljøet. I slutningen af sin levetid skal produktet bortskaffes af en virksomhed, der er autoriseret til genbrug af metaller, for at sikre en effektiv bortskaffelse af materialerne ved en minimal påvirkning af miljøet og helbredet.

Til dags dato foreligger der ingen informationer, som tyder på, at GCE-produkter indeholder materialer med SVHC-koncentrationer over 0,1 %.



#### HENVISNING!

- **Fare for miljøet på grund af forkert bortskaffelse!**
- Forkert bortskaffelse kan medføre fare vor miljøet.
- El-skrot, el-komponenter, smøre- og andre hjælpemidler skal bortskaffes af autoriserede specialister.
- I tvivlstilfælde spørges de lokale kommunale myndigheder eller specialister indenfor bortskaffelse til råds om miljørigtig bortskaffelse.

DA

[www.linde.com](http://www.linde.com)

Denne vare blev fremstillet på ordre fra Linde.

# CONTEÚDO

<b>1. GENERALIDADES</b> .....	<b>166</b>
1.1. INFORMAÇÃO SOBRE ESTE MANUAL.....	166
1.2. INFORMAÇÕES SOBRE A ESTAÇÃO DE ALÍVIO .....	166
1.2.1. S300/S200/S60.....	167
1.2.2. S203 .....	167
1.3. EXPLICAÇÃO DOS SÍMBOLOS .....	167
1.4. LIMITAÇÃO DA RESPONSABILIDADE .....	168
1.5. DIREITO DE AUTOR .....	168
1.6. PEÇAS DE REPOSIÇÃO.....	168
1.7. NORMAS DA GARANTIA .....	169
1.8. APOIO AO CLIENTE .....	169
<b>2. SEGURANÇA</b> .....	<b>169</b>
2.1. UTILIZAÇÃO CORRETA .....	169
2.1.1. ALTERAÇÕES ESTRUTURAIS NA ESTAÇÃO DE ALÍVIO .....	169
2.2. PERIGOS .....	169
2.3. RESPONSABILIDADE DO PROPRIETÁRIO.....	170
2.4. REQUISITOS DE PESSOAL.....	171
2.4.1. QUALIFICAÇÕES .....	171
2.4.2. PESSOAS NÃO AUTORIZADAS.....	171
2.4.3. INSTRUÇÕES.....	172
2.5. EQUIPAMENTO DE PROTEÇÃO INDIVIDUAL .....	172
2.6. COMPORTAMENTO EM CASO DE INCÊNDIO E ACIDENTES .....	173
2.7. INDICAÇÃO SOBRE PROTEÇÃO .....	173
2.8. PLACAS .....	173
2.8.1. SINAL DE OBRIGAÇÃO .....	173
2.8.2. SINAL DE PROIBIÇÃO.....	173
2.8.3. SINAL DE AVISO.....	173
<b>3. DADOS TÉCNICOS</b> .....	<b>174</b>
3.1. FLUXOGRAMA – S300/S200/S60 .....	174
3.2. FOLHA DE DIMENSÕES – S300/S200/S60.....	175
3.3. FLUXOGRAMA – S203.....	176
3.4. FOLHA DE DIMENSÕES – S203.....	177
3.5. INFORMAÇÕES GERAIS.....	178
3.6. VALORES DE LIGAÇÃO.....	178
3.7. VALORES DE POTÊNCIA .....	178
3.8. CONDIÇÕES DE FUNCIONAMENTO AMBIENTE.....	178
<b>4. ESTRUTURA E FUNCIONAMENTO</b> .....	<b>179</b>
4.1. ESTRUTURA – S300/S200/S60.....	179
4.2. ESTRUTURA – S203.....	179
4.3. BREVE DESCRIÇÃO .....	179
<b>5. TRANSPORTE, EMBALAGEM E ARMAZENAMENTO</b> .....	<b>180</b>
5.1. INDICAÇÕES DE SEGURANÇA PARA A NOTA DE TRANSPORTE!.....	180
5.2. INSPEÇÃO NO TRANSPORTE.....	180
5.3. EMBALAGEM.....	181
5.4. ARMAZENAMENTO.....	181
<b>6. INSTALAÇÃO E PRIMEIRA COLOCAÇÃO EM FUNCIONAMENTO</b> .....	<b>181</b>
6.1. INDICAÇÕES DE SEGURANÇA FÜR DIE INSTALAÇÃO E PRIMEIRA COLOCAÇÃO EM FUNCIONAMENTO .....	181
6.2. PREPARAÇÕES.....	181
6.3. INSTALAÇÃO.....	182
6.4. CONDIÇÕES PARA A PRIMEIRA COLOCAÇÃO EM FUNCIONAMENTO .....	182
6.5. PRIMEIRA COLOCAÇÃO EM FUNCIONAMENTO .....	182
6.5.1. PURGA DE GÁS DE PROCESSO (S300/S200/S60).....	183
6.5.2. PURGA DE GÁS EXTERNO (S203) .....	183
6.5.3. ENCHIMENTO DA TUBAGEM COM GÁS DE PROCESSO.....	183
6.5.4. TROCA DE GARRAFA .....	184
6.5.5. COLOCAR O SISTEMA FORA DE SERVIÇO .....	184
6.6. CONTROLOS .....	184

<b>7. OPERAÇÃO .....</b>	<b>184</b>
<b>8. MANUTENÇÃO .....</b>	<b>185</b>
8.1. INDICAÇÕES DE SEGURANÇA PARA A MANUTENÇÃO .....	185
8.2. PLANO DE MANUTENÇÃO .....	185
8.3. TRABALHOS DE MANUTENÇÃO .....	185
8.3.1. LIMPEZA .....	185
8.3.2. CONDIÇÕES DA MANUTENÇÃO .....	185
8.3.3. NECESSÁRIO SERVIÇO DE MANUTENÇÃO .....	185
8.4. MEDIDAS APÓS MANUTENÇÃO .....	186
<b>9. AVARIAS.....</b>	<b>186</b>
9.1. INDICAÇÕES DE SEGURANÇA PARA A RESOLUÇÃO DE AVARIAS.....	186
<b>10. DESMONTAGEM E ELIMINAÇÃO.....</b>	<b>189</b>
10.1. INDICAÇÕES DE SEGURANÇA PARA DESMONTAGEM E ELIMINAÇÃO .....	189
10.2. DESMONTAGEM.....	189
10.3. ELIMINAÇÃO .....	189

PT

# PORTUGUÊS

## INSTRUÇÕES DE USO: ESTAÇÃO DE ALÍVIO

### 1. GENERALIDADES

#### 1.1. INFORMAÇÃO SOBRE ESTE MANUAL

Este manual é válido para estações de alívio do tipo:

- S300
- S203
- S200
- S60

Estas estações de alívio são usadas para retirar e aliviar gás dos reservatórios de gás pressurizado. As estações de alívio são fixadas de forma permanente à parede e ligadas com tubagens em espiral ou mangueiras onduladas aos reservatórios de pressão de gás. Este manual permite o manuseamento seguro e eficiente do aparelho. O manual faz parte do aparelho e tem de ser guardado próximo do mesmo, para o pessoal poder aceder quando quiser. O pessoal tem de ter lido e compreendido este manual antes de iniciar qualquer trabalho. Condição para um trabalho seguro é o cumprimento de todas as indicações de segurança e instruções de manuseamento especificadas neste manual. Aplicam-se ainda os regulamentos locais de prevenção de acidentes e as normas gerais de segurança relativas ao uso do aparelho. As imagens neste manual destinam-se à compreensão básica e podem divergir da versão real.

#### 1.2. INFORMAÇÕES SOBRE A ESTAÇÃO DE ALÍVIO

As estações de alívio deste tipo só podem ser usadas com os gases definidos como gás padrão. A pressão máxima de trabalho para estas estações de alívio vai até 300 bar. As estações de alívio de um estágio são compostas por válvulas e reguladores de pressão com membrana de metal. Fabricadas e testadas segundo ISO7291/10297, inclusivamente teste de cauterização de oxigénio.

PT

Linha de produto	(Pureza 6.0   latão cromado)	(Pureza 6.0   aço inoxidável)
Com assento <b>FKM</b> da válvula de respiro	<ul style="list-style-type: none"><li>• Gases aplicáveis (inclusive respetivas misturas):<ul style="list-style-type: none"><li>• High Purity</li><li>• Inerte</li><li>• Inflamável</li><li>• Comburente</li><li>• O<sub>2</sub></li></ul></li><li>• Gases <b>NÃO</b> aplicáveis (inclusive respetivas misturas):<ul style="list-style-type: none"><li>• Corrosivo</li><li>• Tóxico</li><li>• CO<sub>2</sub>, N<sub>2</sub>O</li></ul></li></ul>	<ul style="list-style-type: none"><li>• Gases aplicáveis (inclusive respetivas misturas):<ul style="list-style-type: none"><li>• High Purity</li><li>• Inerte</li><li>• Inflamável</li><li>• O<sub>2</sub> até 200 bar</li><li>• Corrosivo (Em caso de dúvida, deve consultar)<ul style="list-style-type: none"><li>• Tóxico (iEm caso de dúvida, deve consultar)</li></ul></li></ul></li><li>• Gases <b>NÃO</b> aplicáveis (inclusive respetivas misturas):<ul style="list-style-type: none"><li>• O<sub>2</sub> acima de 200 bar</li><li>• CO<sub>2</sub>, N<sub>2</sub>O</li><li>• NH<sub>3</sub>, SO<sub>2</sub>, H<sub>2</sub>S</li></ul></li></ul>

<p>Com assento <b>EPDM</b> da válvula de respiro</p>	<ul style="list-style-type: none"> <li>• Gases aplicáveis (inclusive respetivas misturas): <ul style="list-style-type: none"> <li>• High Purity</li> <li>• Inerte</li> <li>• Inflamável</li> <li>• Comburente</li> <li>• CO<sub>2</sub>, N<sub>2</sub>O</li> </ul> </li> <li>• Gases NÃO aplicáveis (inclusive respetivas misturas): <ul style="list-style-type: none"> <li>• Corrosivo</li> <li>• Tóxico</li> <li>• O<sub>2</sub></li> </ul> </li> </ul> <p>(percentagem superior a 21%)</p> <ul style="list-style-type: none"> <li>• Hidrocarbonetos</li> </ul>	<ul style="list-style-type: none"> <li>• Gases aplicáveis (inclusive respetivas misturas): <ul style="list-style-type: none"> <li>• High Purity</li> <li>• Inerte</li> <li>• Inflamável</li> <li>• Comburente</li> <li>• Corrosivo (Em caso de dúvida, deve consultar) <ul style="list-style-type: none"> <li>• Tóxico (Em caso de dúvida, deve consultar)</li> <li>• CO<sub>2</sub>, N<sub>2</sub>O</li> <li>• NH<sub>3</sub>, SO<sub>2</sub>, H<sub>2</sub>S</li> </ul> </li> </ul> </li> <li>• Gases NÃO aplicáveis (inclusive respetivas misturas): <ul style="list-style-type: none"> <li>• O<sub>2</sub></li> </ul> </li> </ul> <p>(percentagem superior a 21%)</p> <ul style="list-style-type: none"> <li>• Hidrocarbonetos</li> </ul>
------------------------------------------------------	-------------------------------------------------------------------------------------------------------------------------------------------------------------------------------------------------------------------------------------------------------------------------------------------------------------------------------------------------------------------------------------------------------------------------------------------------------------------------------------------------------------------------------------------------------------------	-----------------------------------------------------------------------------------------------------------------------------------------------------------------------------------------------------------------------------------------------------------------------------------------------------------------------------------------------------------------------------------------------------------------------------------------------------------------------------------------------------------------------------------------------------------------------------------------------------------------------------------------------------------------------------------------------------------------------------------------------

Esta tabela pode não estar completa. Se tiver perguntas ou dúvidas, entre em contacto com o fabricante.

### 1.2.1. S300/S200/S60

Esta estação de alívio está disponível na versão de latão cromado e na versão de aço inoxidável. É composta pelos seguintes componentes:

- Regulador de pressão com manómetro de entrada e saída
- Válvula de purga para purga de gás de processo e válvula de corte de 4 portas na entrada
- Válvula de respiro
- Placa frontal e placa base

*EXTRA*

- S: Válvula de segurança na saída
- C: Válvulas antirretorno nas entradas
- U: Válvula de segurança na saída e válvulas antirretorno nas entradas

### 1.2.2. S203

Esta estação de alívio está disponível apenas na versão de aço inoxidável. É composta pelos seguintes componentes:

- Regulador de pressão com manómetro de entrada e de saída
- Respetivamente duas válvulas de purga de 4 portas e uma válvula de 2 portas para purga de gás inerte nas entradas
- Válvula de respiro
- Placa frontal e placa base

*EXTRA*

- S: Válvula de segurança na saída

## 1.3. EXPLICAÇÃO DOS SÍMBOLOS

### INDICAÇÕES DE SEGURANÇA

As indicações de segurança estão identificadas neste manual por símbolos. As indicações de segurança são introduzidas por palavras de sinalização, que exprimem a dimensão do perigo.



#### PERIGO!

Esta combinação de símbolo e palavra de sinalização remete para uma situação perigosa eminente, que causa ferimentos graves que podem ser fatais, caso não seja evitada.



#### AVISO!

Esta combinação de símbolo e palavra de sinalização remete para uma situação possivelmente perigosa, que pode causar ferimentos graves que podem ser fatais, caso não seja evitada.



#### CUIDADO!

Esta combinação de símbolo e palavra de sinalização remete para uma situação possivelmente perigosa, que pode causar ferimentos ligeiros ou moderados, caso não seja evitada.



#### NOTA!

Esta combinação de símbolo e palavra de sinalização remete para uma situação possivelmente perigosa, que pode causar danos materiais e ambientais, caso não seja evitada.



#### DICAS E RECOMENDAÇÕES

Este símbolo fornece dicas úteis e recomendações, bem como informações sobre uma operação eficiente e sem problemas.

### INDICAÇÕES ESPECIAIS

Usam-se os seguintes símbolos nas indicações de segurança para chamar a atenção para perigos especiais.



#### PERIGO!

Esta combinação de símbolo e palavra de sinalização remete para uma situação perigosa eminente por choque elétrico. Se esta indicação identificada não for observada, podem ocorrer ferimentos graves ou fatais.

PT

## 1.4. LIMITAÇÃO DA RESPONSABILIDADE

Todas as informações e indicações neste manual foram reunidas tendo em conta as normas e regulamentos em vigor, o estado tecnológico atual e os nossos conhecimentos e experiências de longa duração.

O fabricante não se responsabiliza por danos nos seguintes casos:

- Inobservância deste manual
- Utilização incorreta
- Mobilização de pessoal sem formação
- Alterações técnicas e estruturais por iniciativa própria
- Utilização de peças de reposição não autorizadas
- Operação do aparelho pressurizado com os dispositivos de segurança avariados ou com os dispositivos de proteção e segurança mal instalados ou não funcionais; deficiente monitorização das peças de equipamento, união roscada e vedação, que estão sujeitas a desgaste
- Reparações indevidamente realizadas
- Faixa de temperatura especificada na ficha técnica excedida ou não alcançada durante a operação ou durante o armazenamento
- Catástrofes por influência de corpos estranhos e força maior

O volume real de fornecimento pode divergir das explicações aqui descritas e ilustrações nos modelos especiais, da exigência de opções de encomenda extra ou devido às mais recentes alterações técnicas. São válidos os deveres acordados no contrato, as condições comerciais gerais e as condições de fornecimento do fabricante e os regulamentos válidos no momento da assinatura do contrato.

## 1.5. DIREITO DE AUTOR

Os conteúdos deste manual estão protegidos por direitos de auto. Podem ser usados no âmbito da utilização deste aparelho. Qualquer uso para além desse não é permitido sem o consentimento escrito do fabricante.

## 1.6. PEÇAS DE REPOSIÇÃO



#### AVISO!

- Perigo de ferimento por uso de peças de reposição erradas!
- O uso de peças de reposição erradas ou com defeito pode causar perigos para o pessoal e danos, anomalias ou a falha total.
- Usar somente peças de reposição originais do fabricante ou aprovadas pelo mesmo.
- Em caso de dúvida, entre sempre em contacto com o fabricante.



## PERDA DA GARANTIA!

- Se forem usadas peças de reposição não aprovadas, a garantia do fabricante caduca.

## 1.7. NORMAS DA GARANTIA

Basicamente aplicam-se os nossos "Termos e Condições". Estes estão à disposição do cliente o mais tardar no momento da concretização do contrato.

## 1.8. APOIO AO CLIENTE

Estamos sempre interessados em informações e experiências resultantes da utilização e que podem ser úteis para melhorar os nossos produtos.

# 2. SEGURANÇA

Esta secção permite ver todos os aspetos de segurança importantes para proteção de pessoas e para uma operação segura e sem problemas. Nas secções sobre cada uma das fases de vida há mais indicações de segurança relativas ao contrato.

## 2.1. UTILIZAÇÃO CORRETA

As estações de alívio destinam-se apenas aos gases e pressões especificados, cumprindo as temperaturas indicadas. O fluxo volumétrico nominal é 20 m<sup>3</sup>/h (ar comprimido). Uma utilização correta implica também o cumprimento de todas as informações e indicações neste manual e o cumprimento dos trabalhos de inspeção e manutenção, bem como a observação da placa de características e das fichas técnicas. Qualquer utilização para além desta é considerada abusiva.



### AVISO!

- **Perigo de abuso!**
- O abuso das estações de alívio pode causar situações perigosas.
- Nunca use as estações de alívio para líquidos.
- Nunca conecte fontes com pressões de entrada mais altas do que o pretendido para o painel de controle de pressão correspondente.

### 2.1.1. ALTERAÇÕES ESTRUTURAIS NA ESTAÇÃO DE ALÍVIO

Sem o consentimento escrito do fabricante, não deve proceder a alterações, anexações ou remodelações na estação de alívio.

As estações de alívio que não estão em perfeitas condições devem ser imediatamente trocadas.

Limpeza dos aparelhos de gás e eliminação dos resíduos.

As estações de alívio usadas que estão para reparar devem ser lavadas com um gás inerte (nitrogénio).

Formação de ruído

Em algumas situações, a interação desfavorável de determinadas variáveis, tais como fluxo e faixa de pressão, mas também o tipo de gás podem formar ruído. Nestes casos, entre em contacto com o fabricante.

## 2.2. PERIGOS

A seguinte secção demonstra outros riscos que podem emanar do aparelho, mesmo quando é usado corretamente. Para reduzir os riscos de danos pessoais e materiais e evitar situações perigosas, é impreterível observar as indicações de segurança aqui apresentadas e as que constam nas outras secções.



### PERIGO!

- **Gases podem ser um risco à vida!**
- Gases podem repelir o ar e, por conseguinte, o oxigénio que contém. Isso pode causar morte por asfixia. O oxigénio forma uma atmosfera altamente oxidativa. Os gases inflamáveis podem formar uma atmosfera explosiva.

POR ISSO:

- Proporcionar uma boa ventilação!
- Instalação somente por parte de uma empresa especializada certificada!
- Observar as diretivas ATEX

PT



### ATENÇÃO!

- **Perigos que podem surgir pelo ambiente!**

A condensação e/ou a formação de gelo pode causar avarias no aparelho.

*POR ISSO:*

- Observar as faixas de temperatura!
- Proteja o aparelho contra líquidos do exterior!
- Proteja o aparelho contra poeiras do exterior!
- Montar protegido das condições climáticas!
- Ligação à terra existente corretamente estabelecida!



### AVISO!

- **Perigo de acidente na utilização de óleo e gordura!**

Por norma, não podem ser usados óleos e gorduras em sistemas de regulação da pressão. Os óleos e as gorduras são altamente inflamáveis e reagem fortemente a determinados gases comprimidos.

*POR ISSO:*

- Nunca aplique óleo e gordura!



### AVISO!

- **Perigo de acidente por energia acumulada no sistema!**

Um manuseamento errado pode colocar peças ou componentes submetidos a pressão descontroladamente em movimento, causando ferimentos graves ou até fatais. Um manuseamento errado pode causar a saída de gás das peças submetidas a pressão, originando ferimentos graves ou até fatais.

*ANTES DE INICIAR OS TRABALHOS COM PEÇAS SUBMETIDAS A PRESSÃO:*

- Instalação somente por parte de uma empresa especializada certificada!
- Usar óculos de proteção!
- Usar proteção auditiva!
- Certificar-se que o sistema não está sob pressão!
- Certificar-se que não está acumulada nenhuma energia no sistema!
- Certificar-se que não pode sair nenhum gás acidentalmente!
- Certificar-se que as peças avariadas são imediatamente trocadas por pessoal formado!

PT



### AVISO!

- **Perigo de acidente!**

Uma instalação incorreta pode causar ferimentos graves que podem mesmo ser fatais.

*POR ISSO:*

- Proteção dos aparelhos contra queda durante a instalação!
- Não lançar aparelhos!

As peças submetidas a pressão só podem ser usadas para o fim a que se destinam.

No caso de dano mecânico das tubagens e válvulas, o sistema tem de ser arranjado (bloquear secção em questão).

As avarias que podem por em causa a segurança devem ser imediatamente eliminadas por colaboradores devidamente formados e qualificados ou pelo fabricante.

Sobretudo no caso de gases, existe o perigo de um defeito no regulador de pressão da tubagem. Um indício disso é a falta de fluxo de gás após o regulador de pressão ou uma subida repentina da pressão posterior. Se o regulador de pressão estiver avariado, deve colocar o sistema imediatamente fora de serviço. Deve informar logo a empresa de manutenção competente. Nunca feche as tubagens de respiro.

## 2.3. RESPONSABILIDADE DO PROPRIETÁRIO

*PROPRIETÁRIO*

O proprietário é a pessoa que opera o aparelho para fins comerciais ou económicos ou que o cede a terceiros para uso e que durante o funcionamento assume a responsabilidade legal pelo produto relativamente ao utilizador, ao pessoal ou a terceiros.

*DEVERES DO PROPRIETÁRIO*

O aparelho é usado no setor industrial. O proprietário do aparelho está, por isso, sujeito aos deveres industriais relativos à segurança no trabalho.



Para além das indicações de segurança neste manual, é necessário respeitar também os regulamentos de segurança, prevenção de acidentes e ambientais aplicáveis ao uso do aparelho.

*APLICA-SE SOBRETUDO O SEGUINTE:*

- O proprietário tem de se informar sobre os regulamentos de proteção no trabalho em vigor e fazer uma análise de outros riscos, que resultam das condições especiais de trabalho no local de aplicação do aparelho. Ele deve elaborar isso em formato de instruções de serviço para operar com o aparelho.
- O proprietário tem de verificar, durante todo o tempo de aplicação do aparelho, se as suas instruções de serviço correspondem ao estado atual dos regulamentos e, caso necessário adaptá-las.
- O proprietário tem de determinar claramente as competências pela instalação, operação, resolução de avarias, manutenção e limpeza.
- O proprietário tem de garantir que todas as pessoas que lidam com o aparelho tenham lido e compreendido estas instruções. Deve ainda dar regularmente formação ao pessoal e informá-lo sobre os perigos.
- O proprietário tem de disponibilizar ao pessoal o necessário equipamento de proteção individual e garantir o uso obrigatório do mesmo.

Outras vezes, o operador é responsável por assegurar que a fiabilidade técnica total do sistema é garantida a todo o momento.

*APLICA-SE, PORTANTO, O SEGUINTE:*

- O operador deve assegurar o cumprimento dos intervalos de manutenção especificados neste manual.
- O operador deve assegurar-se de que todos os dispositivos de segurança são regularmente verificados quanto à sua fiabilidade e integridade funcional.

## 2.4. REQUISITOS DE PESSOAL

### 2.4.1. QUALIFICAÇÕES

As diferentes tarefas descritas neste manual representam diferentes exigências à qualificação das pessoas, que estão incumbidas destas tarefas.



**AVISO!**

- **Perigo para as pessoas se não tiver uma qualificação suficiente!**
- Pessoas insuficientemente qualificadas podem não conseguir avaliar os riscos do manuseamento do aparelho, colocando-se a si e aos outros em perigo, que pode ser grave ou até fatal.
- Os trabalhos têm de ser todos realizados por pessoas devidamente qualificadas!
- Manter pessoas insuficientemente qualificadas afastadas da área de trabalho!

Só são admitidas pessoas, das quais se espera que possam cumprir eficazmente estes trabalhos. Não são permitidas pessoas, cuja capacidade de reação está influenciada p. ex. por drogas, álcool ou outros medicamentos.

Este manual designa as diferentes tarefas para as qualificações das pessoas a seguir apresentadas:

#### *ENGENHEIRO DA TECNOLOGIA DO GÁS*

Possui formação especializada, competências, experiência e conhecimentos sobre as normas e as diretivas relevantes, para poderem realizar trabalhos em sistemas de regulação de pressão e reconhecer potenciais riscos. Os engenheiros da tecnologia do gás têm uma formação especial relativa à produção em questão e respetivos padrões e diretivas específicas.

#### *TÉCNICO*

Possui formação especializada, competências, experiência e conhecimentos sobre as normas e as diretivas relevantes, para poderem realizar trabalhos em sistemas de regulação de pressão e reconhecer potenciais riscos.

### 2.4.2. PESSOAS NÃO AUTORIZADAS



**AVISO!**

- **Perigo de vida para pessoas não autorizadas por perigos na área de trabalho e de perigos!**
- As pessoas não autorizadas, que não cumprem os requisitos aqui descritos, não conhecem os perigos na área de trabalho. Por isso, correm risco de ferimentos graves que podem ser fatais.
- Manter as pessoas não autorizadas afastadas da área de trabalho e de perigo!
- Em caso de dúvida, fale com as pessoas e peça-lhes para saírem da área de trabalho e de perigo!
- Interromper os trabalhos, enquanto houver pessoas não autorizadas na área de trabalho e de perigo!

PT

### 2.4.3. INSTRUÇÕES

O proprietário tem de instruir regularmente o pessoal. Para poder acompanhar melhor, deve criar um protocolo de instruções com os seguintes conteúdos mínimos:

- Data da instrução
- Nome da pessoa instruída
- Conteúdos da instrução
- Nome do instrutor
- Assinaturas do instrutor e da pessoa instruída

## 2.5. EQUIPAMENTO DE PROTEÇÃO INDIVIDUAL

O equipamento de proteção individual serve para proteger a segurança e a saúde das pessoas no trabalho.

O pessoal tem de usar um equipamento de proteção quando estiver a realizar diferentes trabalhos no e com o aparelho, sendo que as diversas secções neste manual remetem para isso.



### PROTEÇÃO RESPIRATÓRIA, AUTÓNOMA

Proteção contra gases, vapores, poeiras e outras substâncias nocivas.

As proteções respiratórias, tais como proteção respiratória a ar comprimido, têm de ser usadas quando não se consegue garantir um teor de oxigénio superior a 17% no ar e/ou quando não se pode excluir que os valores limites permitidos de substâncias poluentes no ar sejam excedidos.

As proteções respiratórias autónomas só podem ser usadas por pessoal especialmente formado.



### PROTEÇÃO RESPIRATÓRIA, AUTÓNOMA

Proteção contra gases, vapores, poeiras e outras substâncias nocivas.

Devem ser usadas proteções respiratórias não autónomas, quando não se puder excluir que sejam excedidos os valores limite permitidos de substâncias poluentes no ar.

As proteções respiratórias não autónomas só podem ser usadas quando se garante um teor de oxigénio acima dos 17% no ar.



### ÓCULOS DE PROTEÇÃO

Proteção contra queda de peças e gotas.



### LUVAS, RESISTENTES A QUÍMICOS

Proteção das mãos contra substâncias agressivas. As luvas devem ser estanques. Depois de usadas, devem ser eliminadas.



### LUVAS DE PROTEÇÃO

Proteção das mãos contra influências mecânicas e superfícies quentes e frias.



### USAR PROTEÇÃO AUDITIVA

Protege a audição contra ruídos demasiado fortes e previne traumas auditivos.

## 2.6. COMPORTAMENTO EM CASO DE INCÊNDIO E ACIDENTES

### MEDIDAS PREVENTIVAS

- Estar sempre preparado para fogos e acidentes!
- Ter os Primeiros-Socorros (caixa de primeiros-socorros, mantas, etc.) e os extintores sempre funcionais e acessíveis.
- Familiarizar o pessoal com os equipamentos de comunicação de acidente, de Primeiros-Socorros e de salvamento.
- Manter as vias de acesso livres para os veículos de emergência.

### MEDIDAS EM CASO DE INCÊNDIO E ACIDENTES

- Sem colocar em perigo a própria saúde, retirar as pessoas da zona de perigo.
- Se necessário, dê início às medidas de Primeiros-Socorros.
- Chamar os bombeiros e/ou ambulância.
- Em caso de incêndio: Sem colocar em perigo a própria saúde, combater o fogo com extintores até chegarem os bombeiros.
- Informar o responsável no local.
- Manter as vias de acesso livres para os veículos de emergência.
- Indicar o caminho às ambulâncias.

## 2.7. INDICAÇÃO SOBRE PROTEÇÃO



### AMBIENTAL!

- **Perigo para o ambiente devido a manuseamento errado de substâncias poluentes!**
- Se as substâncias poluentes forem erradamente manuseadas, sobretudo se forem mal eliminadas, isso pode ter danos elevados para o ambiente.
- Observar sempre as indicações abaixo mencionadas sobre o manuseamento de substâncias poluentes e respetiva eliminação!
- Se entrarem acidentalmente substâncias poluentes para o ambiente, devem ser tomadas medidas imediatas. Em caso de dúvida, deve informar a autoridade municipal competente sobre o dano e solicitar medidas adequadas!

PT

## 2.8. PLACAS



### AVISO!

- **Perigo por placas ilegíveis!**
- Ao longo do tempo, os autocolantes e as placas podem ficar sujas ou ilegíveis por outras razões, de modo a não se poderem reconhecer os perigos e respeitar as necessárias indicações.
- Isso pode causar ferimentos.
- Manter todas as indicações de segurança, de aviso e de operação em bom estado legível.
- Placas ou autocolantes danificados devem ser imediatamente substituídos.

### 2.8.1. SINAL DE OBRIGAÇÃO

- Sem sinal

### 2.8.2. SINAL DE PROIBIÇÃO

- Sem sinal

### 2.8.3. SINAL DE AVISO



AVISO GARRAFAS DE AGÁS



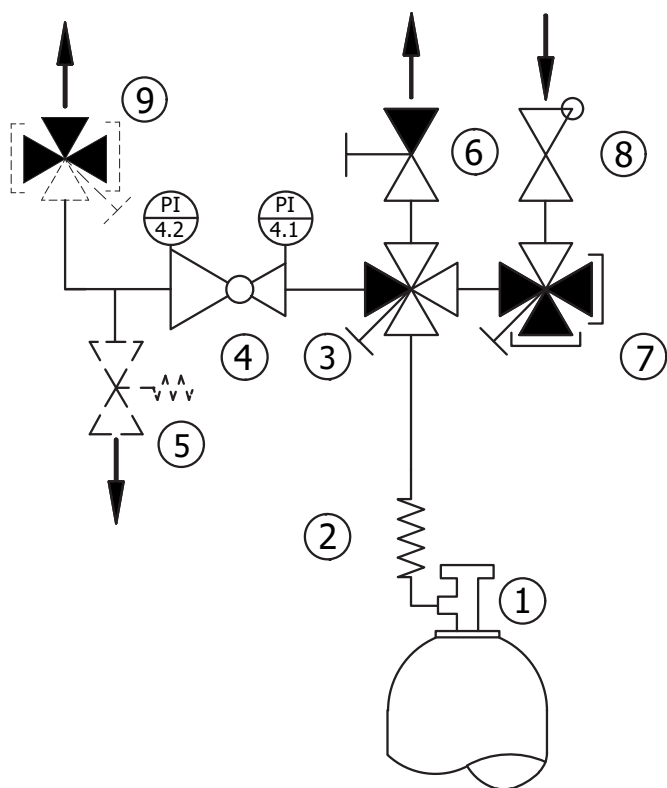
AVISO ATMOSFERA  
POTENCIALMENTE EXPLOSIVA



AVISO SUBSTÂNCIAS  
CORROSIVAS E/OU TÓXICAS

### 3. DADOS TÉCNICOS

#### 3.1. FLUXOGRAMA – S300/S200/S60

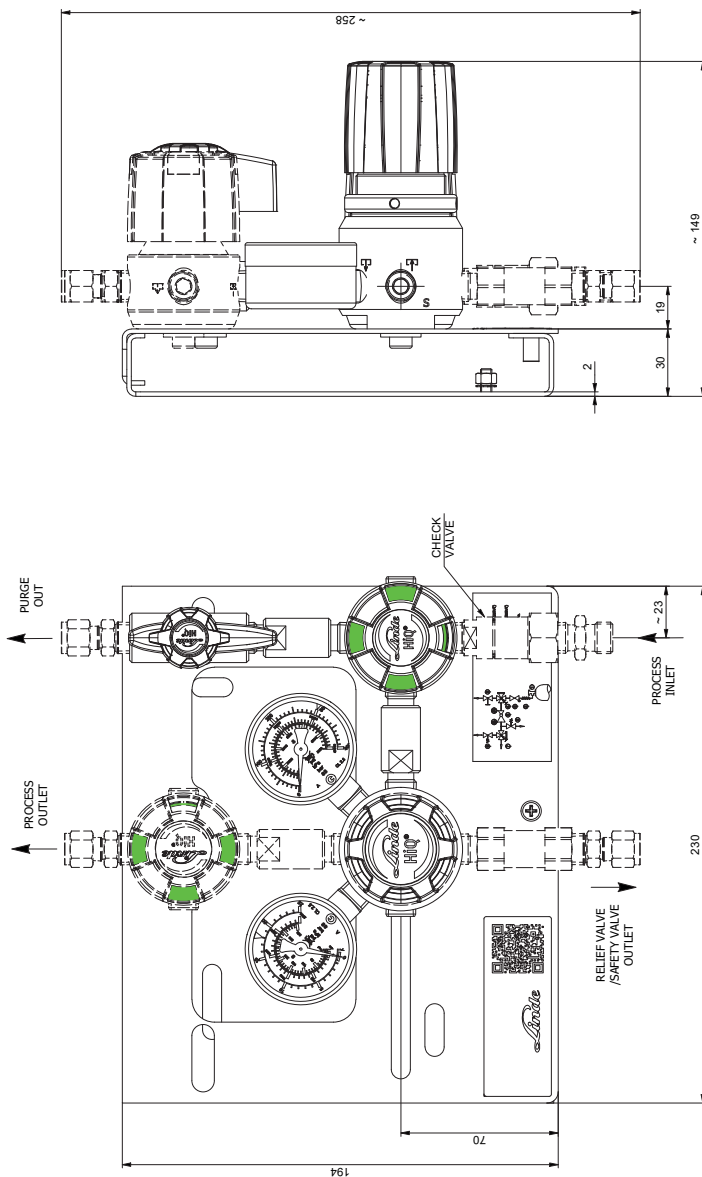


PT

- 1 – CILINDRO DE GÁS
- 2 – BOBINA
- 3 – VÁLVULA DE DESLIGAMENTO (3XIN, 1XOUT)
- 4 – REGULADOR DE PRESSÃO COM MANÔMETRO DE ENTRADA/SAÍDA
- 5 – VÁLVULA DE ALÍVIO/VÁLVULA DE SEGURANÇA, (OPCIONAL)
- 6 - VÁLVULA DE SÁIDA DE PURGA
- 7 – VÁLVULA DE ENTRADA DE PURGA (1XIN, 3XOUT)
- 8 – VÁLVULA DE RETENÇÃO
- 9 – VÁLVULA DE FECHAMENTO (1XIN, 3XOUT); (OPCIONAL)

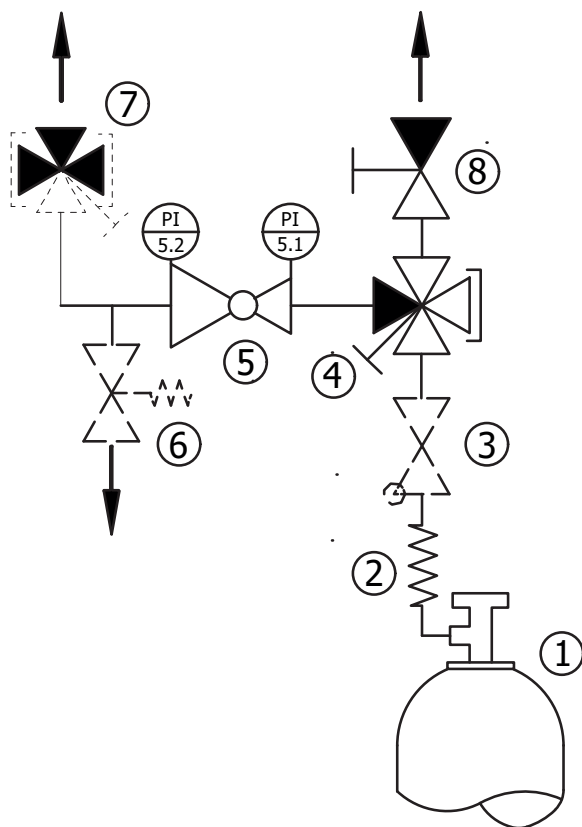
**Opções apresentadas como linhas pontilhadas**

### 3.2. FOLHA DE DIMENSÕES – S300/S200/S60



PT

### 3.3. FLUXOGRAMA – S203

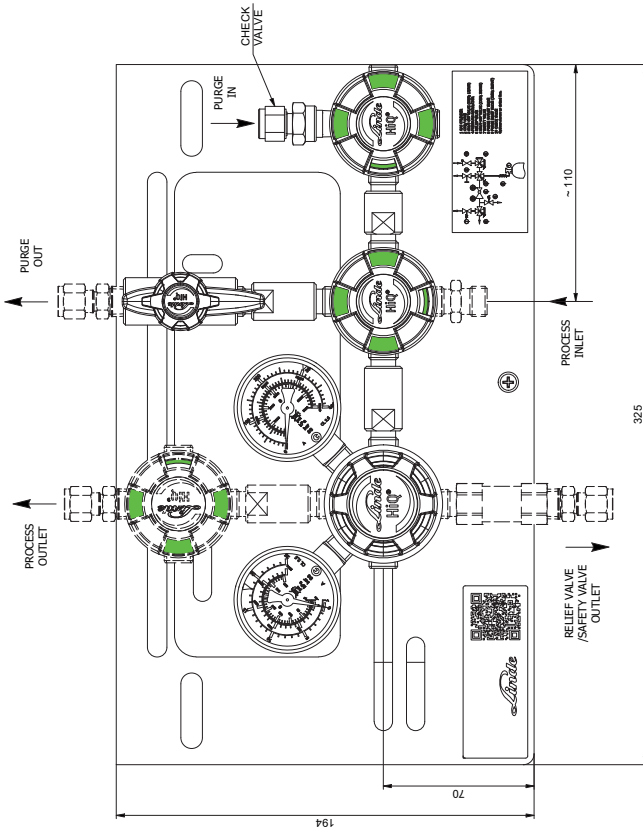
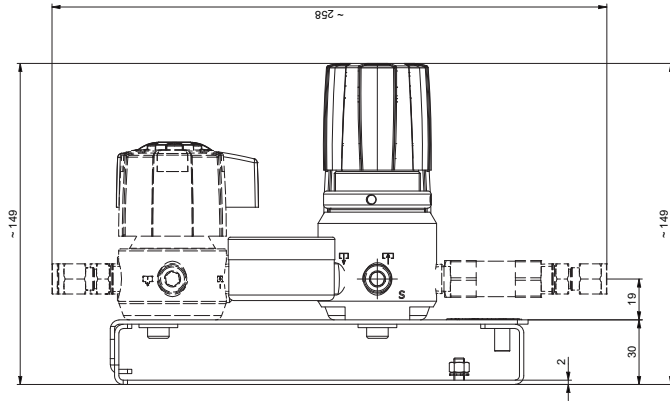


PT

- 1 – CILINDRO DE GÁS
- 2 – BOBINA
- 3 – VÁLVULA DE RETENÇÃO (OPCIONAL)
- 4 – VÁLVULA DE DESLIGAMENTO (3XIN, 1XOUT)
- 5 – REGULADOR DE PRESSÃO COM MANÔMETRO DE ENTRADA/SAÍDA
- 6 – VÁLVULA DE ALÍVIO/VÁLVULA DE SEGURANÇA, (OPCIONAL)
- 7 – VÁLVULA DE CORTE (1XIN, 3XOUT), (OPCIONAL)
- 8 - VÁLVULA DE SAÍDA DE PURGA

**Opções apresentadas como linhas pontilhadas**

### 3.4. FOLHA DE DIMENSÕES – S203



PT

### 3.5. INFORMAÇÕES GERAIS

Dados	S300/S200/S60-BC	S300/S200/S60-SS
Máx. peso [kg]	5,25	8,57
Comprimento [mm]	230	230
Largura [mm]	150	150
Altura [mm]	194	194

Dados	S203-SS
Máx. peso [kg]	6,97
Comprimento [mm]	325
Largura [mm]	150
Altura [mm]	194

### 3.6. VALORES DE LIGAÇÃO

Dados	Valor	Unidade
Entrada	NPT 1/4" fêmea vários adaptadores disponíveis	métrico polegada
Saída	1/8", 1/4", 3/8", 1/2" 3, 6, 8, 10, 12	Anel de aperto polegada Anel de aperto mm
Válvula de respiro/purga se existir	1/4", 3/8", 1/2" 6, 8, 10, 12	Anel de aperto polegada Anel de aperto mm
Válvula de segurança	NPT 1/2" female	polegada

### 3.7. VALORES DE POTÊNCIA

Dados	Valor	Unidade
Fluxo nominal	20 (ar comprimido)	m <sup>3</sup> /h
Pressão de entrada (máx.)	S300: 300 S203: 200 S200: 200 S60: 60	bar
Pressão de saída (máx.)	200	bar

### 3.8. CONDIÇÕES DE FUNCIONAMENTO AMBIENTE

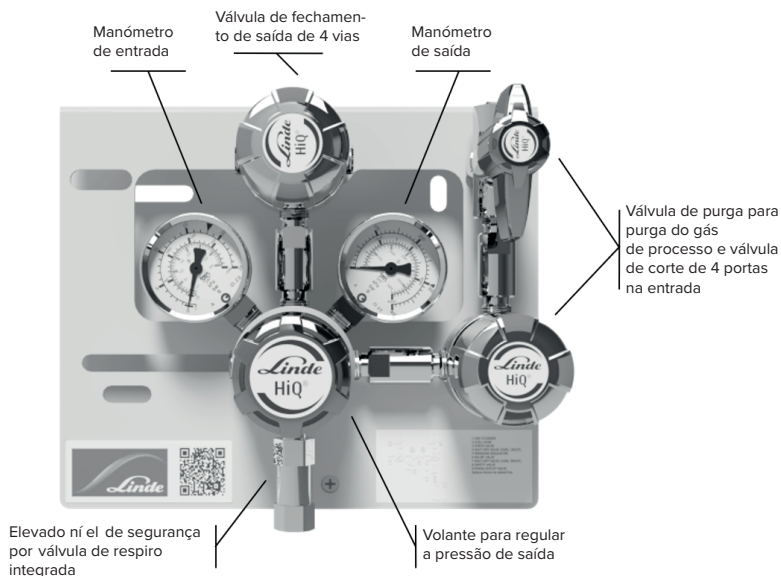
Dados	Valor	Unidade
Faixa de temperatura	-20 till +60	°C
Relativa humidade do ar (máx.)	98	%

PT

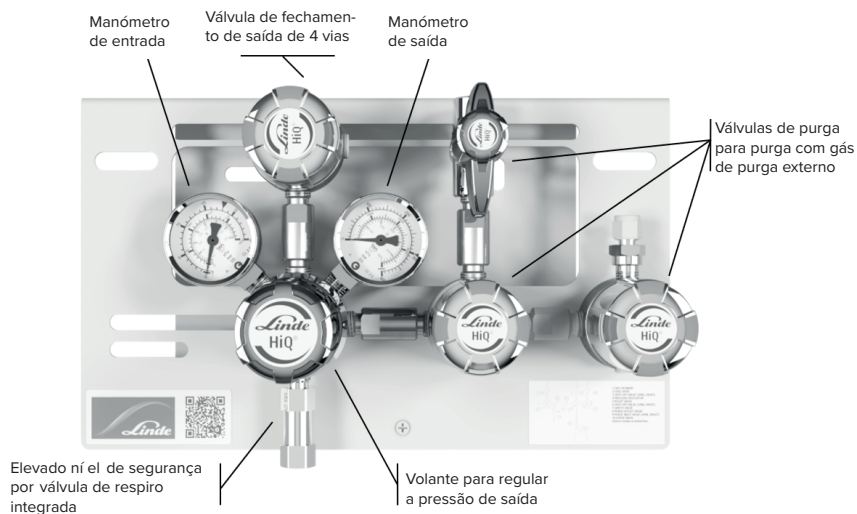


## 4. ESTRUTURA E FUNCIONAMENTO

### 4.1. ESTRUTURA – S300/S200/S60



### 4.2. ESTRUTURA – S203



### 4.3. BREVE DESCRIÇÃO

As estações de alívio do tipo **S300/S200/S60-BC...**(material: em latão cromado) aliviam um gás ou mistura de gás industrial, não tóxico nem corrosivo, que está acumulado num reservatório ou conjunto de reservatórios de gás pressurizado, de uma pressão máxima de até 300 bar para uma pressão de tubagem (3 bar, 6 bar, 10 bar, 14 bar, 28 bar, 50 bar, 100 bar, 200 bar).

As estações de alívio do tipo **S300/S200/S60/S203-SS...** (material: em aço inoxidável) aliviam também gases ou misturas de gases tóxicos e corrosivos, que estão acumulados num reservatório ou conjunto de reservatórios de gás pressurizado em excesso, de uma pressão máxima de até 300 bar para uma pressão de tubagem 3 bar, 6 bar, 10 bar, 14 bar, 28 bar, 50 bar, 100 bar, 200 bar).

Uma válvula de respiro no redutor de pressão da estação protege a respetiva área de pressão posterior contra uma subida inadmissível de pressão através de uma fuga no assento do redutor de pressão. Podem acrescentar-se válvulas de segurança e/ou antirretorno.

A verdadeira pressão anterior e posterior no redutor de pressão da estação é exibida no manómetro de mola de tubo. Tanto na área da pressão anterior como posterior do redutor de pressão existe a possibilidade de usar manómetros de contacto.

Se a estação possuir um sistema de purga de gás de entrada, é possível purgar as eventuais impurezas das áreas de alta pressão da estação antes da respetiva colocação em funcionamento. Este sistema permite ainda a descarga das áreas de alta pressão da estação antes da troca de garrafa.

Se a estação possuir uma purga de gás externo (S203), as áreas de alta pressão da estação podem ser purgadas com um gás de purga inerte antes da colocação em funcionamento, garantindo uma troca segura da garrafa e/ou uma manutenção segura. A versão com purga de gás externo só está disponível na versão em aço inoxidável da estação de alívio.

Todos os sistemas acima descritos estão fixados numa consola comum de aço inoxidável. A dimensão grande desta consola permite que todos os componentes individuais da estação fiquem devidamente protegidos durante o frete dentro da embalagem e no estado montado. O modelo dividido da consola permite uma respetiva fixação simples e leve. Uma abertura na placa frontal da consola permite a troca de manómetros sem ter de desmontar a consola da estação e a consequente desmontagem do sistema de alimentação. Na placa base encontra-se, em cada lado da estação, um furo para fixação de mangueiras de ligação de garrafas por cada mosquetão. A conexão da estação na ligação equipotencial local pode ser feita num parafuso aplicado par ao efeito na placa base da consola.

O desenvolvimento, a produção e o controlo da produção dos sistemas acima mencionados foram levados a cabo cumprindo, entre outras, as seguintes normas:

- Redutor da pressão- ISO 7291
- Válvulas- ISO 10297
- Manómetro EN 837-1
- Proteção mecânica contra explosão da estação completa- ISO80079-36; IEC 60079-32-1; TRGS 727

## 5. TRANSPORTE, EMBALAGEM E ARMAZENAMENTO



### DICAS E RECOMENDAÇÕES!

- A instalação e primeira colocação em funcionamento são levadas a cabo preferencialmente por colaboradores do fabricante ou por pessoas por ele autorizado.
- Porém, é possível que no âmbito da instalação e restante utilização sejam incumbidos operadores ou pessoal de manutenção do proprietário com o manuseamento das embalagens. É impreterível observar as indicações a seguir descritas.

### 5.1. INDICAÇÕES DE SEGURANÇA PARA A NOTA DE TRANSPORTE!



#### NOTA!

- **Danos materiais por transporte incorreto!**
- No caso de transporte incorreto, as embalagens podem tombar ou cair. Isso pode causar danos materiais significativos.
- Deve proceder-se com cuidado ao descarregar as embalagens de transporte quando chegam e no transporte interno e respeitar os símbolos e indicações na embalagem. Usar somente os pontos de fixação previstos.
- Remover as embalagens somente pouco antes da montagem.

## 5.2. INSPEÇÃO NO TRANSPORTE

Verificar o fornecimento no ato de entrega para se certificar que está completa e não apresenta danos de transporte. SE FOREM DETETADOS DANOS DE TRANSPORTE, DEVE PROCEDER ASSIM:

- Não aceitar o fornecimento ou aceitar com reserva.
- Registrar os danos nos documentos de transporte e na nota de entrega da transportadora.
- Fazer uma reclamação.



### DICAS E RECOMENDAÇÕES!

- Reclamar as falhas assim que forem detetadas. Os danos só podem ser reclamados dentro do prazo da garantia.

## 5.3. EMBALAGEM

Cada uma das embalagens está empacotada de acordo com as condições de transporte esperadas. Foram unicamente usados materiais ecológicos na embalagem.

A embalagem deve proteger cada componente até à montagem contra danos de transporte, corrosão e outros danos. Por isso, não deve destruir a embalagem, que deverá ser removida apenas pouco antes da montagem.



### NOTA!

- **Perigo para o ambiente por eliminação errada!**
- Os materiais de embalagem são matéria-prima valiosa que pode continuar a ser usada, preparada e reutilizada em outras situações. Uma eliminação errada dos materiais de embalagem pode causar perigos para o ambiente.
- Eliminar os materiais de embalagem sem prejudicar o ambiente.
- Observar os regulamentos locais relativamente à eliminação. Se necessário, incumbir uma empresa especializada com a eliminação.

PT

## 5.4. ARMAZENAMENTO

Guardar embalagens nas seguintes condições:

- Não guardar ao ar livre.
- Guardar em local seco e sem pó.
- Não expor a meios agressivos.
- Proteger da radiação solar.
- Evitar vibrações mecânicas.
- Temperatura de armazenamento: 15 até 35 °C.
- Relativa humidade do ar: máx. 60 %.
- No caso de armazenamento superior a 3 meses, deve controlar regularmente o estado geral de todas as peças e da embalagem. Se necessário, atualizar a conservação ou até substituir.



### DICAS E RECOMENDAÇÕES!

- As embalagens poderão ter indicações sobre o armazenamento, que vão para além dos requisitos aqui mencionados. Estas devem ser respeitadas.

## 6. INSTALAÇÃO E PRIMEIRA COLOCAÇÃO EM FUNCIONAMENTO

### 6.1. INDICAÇÕES DE SEGURANÇA FÜR DIE INSTALAÇÃO E PRIMEIRA COLOCAÇÃO EM FUNCIONAMENTO

#### PESSOAL

A instalação e primeira colocação em funcionamento só podem ser levadas a cabo por pessoal qualificado.

## 6.2. PREPARAÇÕES

### DESEMBALAR

- Os componentes têm de ser desembalados com cuidado e prudência.
- Remover também os materiais de embalagem extra.
- Analisar todos os componentes quanto a eventuais danos de transporte.

### ALIVIAR

- Aliviar a pressão do gás em sistemas eventualmente existentes, e enxaguar com gás inerte, se necessário
- Separar a tubagem em sistemas eventualmente existentes com ferramenta especial, evitando aparas
- Prestar atenção ao estado perfeito e pureza das peças de ligação

## 6.3. INSTALAÇÃO

A instalação e a colocação em serviço inicial só podem ser efectuadas por pessoal qualificado.

A placa base da estação de alívio é fixada a uma altura de montagem de 164 cm.

A placa frontal com a estação de alívio é engatada na placa base e fixada com o parafuso fornecido em baixo no centro.

A placa base deve ser ligada à terra através do parafuso previsto.

A estação de alívio é normalmente montada com uniões roscadas de anéis de aperto à saída do gás de processo, à válvula de respiro, às entradas de gás de purga e à saída do gás de purga.

Se existir, ligue igualmente a válvula de segurança e/ou antirretorno.

Começa-se por remover as tampas das ligações.

A montagem é realizada através da inserção completa da tubagem na união roscada. Depois deve aparafusar à mão a porca de capa e apertar bem com uma chave de boca (1 ¼ voltas) (primeira instalação 1 ¼ voltas para tubagens superiores a 1/8 polegadas e 3/4 voltas para tubagens com 1/8 polegada ou inferiores, nova instalação 1/4 voltas para todas as tubagens).

A tubagem de respiro é ligada à válvula de respiro do mesmo modo. A tubagem de escape e a tubagem de respiro NÃO podem ser reunidas e devem ser encaminhadas em segurança para o exterior, e isto aplica-se também, se existir, à ligação da tubagem à válvula de segurança.

Para ligar as garrafas de gás à estação de alívio existem espirais e mangueiras de ligação normalizadas (acessório que pode ser fornecido).

A espiral/mangueira de ligação é sempre fornecida à parte. É necessário verificar a correspondência certa da tubagem/mangueira. Na porca de ligação está gravado o número de ligação da garrafa. Existe respetivamente apenas um modelo das espirais/mangueiras de ligação. É para a ligação ao lado esquerdo e direito da estação de alívio.

Para montar a espiral/mangueira de ligação à estação de alívio, comece por remover a capa de plástico da rosca de ligação da espiral/mangueira de ligação e da estação de alívio. Certifique-se que a vedação plana fornecida com a espiral/mangueira de ligação está inserida na porca de capa.

De seguida, aparafusar manualmente a porca de capa na rosca de ligação na entrada da estação de alívio e depois apertar com uma chave de bocas. Se usar uma mangueira de ligação, pode engatar o cabo limitador com mosquetão em baixo na placa base.

Para ligar a espiral/mangueira de ligação à garrafa de gás, a rosca da válvula da garrafa e a porca de capa têm de estar em perfeito estado de conservação.

Sempre que ligar de novo, deve usar uma vedação nova. Só podem ser usadas espirais e mangueiras de ligação do fabricante de acordo com o tipo de gás usado.

Verificar se as vedações planas assentam corretamente no bocal de ligação da espiral ou da mangueira de ligação. Para apertar não pode usar uma extensão de chave, senão pode destruir a rosca e a vedação. Isso pode causar fugas.

## 6.4. CONDIÇÕES PARA A PRIMEIRA COLOCAÇÃO EM FUNCIONAMENTO

- Estão presentes os protocolos de controlo dos sistemas de tubagem relativamente à estanquidade, e se necessário também o da humidade e das partículas.
- As tubagens do gás de processo, as tubagens de gás de purga e a tubagem de respiro, bem como as tubagens nas válvulas de segurança e antirretorno, se existirem, estão ligadas
- Na tubagem do gás de processo só há gás padrão. (ver ponto 1.2)
- A colocação em funcionamento só pode ser efetuada por técnicos instruídos.
- Deve ser usada roupa de proteção adequada, de acordo com os regulamentos.
- Deve ser usada e disponibilizada uma ferramenta especial antifaiscante, antes da colocação em funcionamento.
- Antes da primeira colocação em funcionamento, verifique por meio da placa de características, se a estação de alívio presente adequado à finalidade prevista (gás, pressão, material, etc.)

## 6.5. PRIMEIRA COLOCAÇÃO EM FUNCIONAMENTO

- Estão cumpridas todas as condições conforme o ponto 6.4
- O regulador da pressão do segundo nível de pressão está aliviado (fechado)
- Todas as válvulas que se encontram na estação de alívio estão fechadas



### AVISO!

- Deve certificar-se que a estação de alívio não é pressurizada acima da pressão de serviço permitida.
- Antes de colocar em funcionamento, certifique-se que não há perigo para ninguém pela operação do aparelho de pressão.

### 6.5.1. PURGA DE GÁS DE PROCESSO (S300/S200/S60)

São utilizadas estações de alívio com purga de gás próprio S300/S200/S60 para se poder retirar o ar atmosférico que entrou durante a troca da garrafa e para se poder descarregar a tubagem espiral ou a mangueira de ligação para a troca da garrafa. Certificar-se que está ligada uma tubagem de respiro.

1. Válvula para purga de gás de processo está fechada, a comutação é transversal ao sentido do fluxo (válvula de 2 portas).
2. O regulador da pressão está aliviado (fechado).
3. Fechar válvula de corte de entrada, a marcação vermelha é visível (válvula de 4 portas).
4. Agora a válvula de corte da entrada está bloqueada apenas na direção do redutor de pressão. O caminho na direção da válvula à purga de gás de processo está livre.
5. Abrir lentamente a válvula da garrafa.
6. O gás de processo flui para a espiral/mangueira de ligação.
7. Voltar a fechar a válvula da garrafa.
8. Abrir brevemente a purga de gás de processo e deixar escapar o gás contido na espiral/mangueira de ligação através da tubagem de gás de purga.
9. De seguida, voltar a fechar de imediato a válvula com purga de gás de processo.

*REPETIR OS PASSOS 4 A 9 PELO MENOS 10X*

### 6.5.2. PURGA DE GÁS EXTERNO (S203)

São utilizadas estações de alívio S203 com purga de gás externo para se poder retirar o gás tóxico ou corrosivo antes da troca da garrafa e para se poder descarregar a tubagem espiral ou a mangueira de ligação para a troca da garrafa. Certificar-se que está ligada uma tubagem de respiro.

1. Verificar se a entrada de gás de purga, saída de gás de purga, entradas de gás de processo, tubagem de respiro e eventualmente a válvula de segurança estão corretamente ligados.
2. Fechar todas as válvulas, as marcações vermelhas têm de estar visíveis (4 portas).
3. Rodar o volante no sentido contrário dos ponteiros do relógio para fechar o redutor de pressão.
4. Abrir a válvula de purga de entrada.
5. Voltar a fechar a válvula de purga de entrada. Deixar o gás que entra espalhar-se por alguns segundos no componente.
6. Abrir brevemente a válvula de purga de saída e deixar o gás de purga escapar.
7. Voltar a fechar a válvula de purga de saída.

*REPETIR OS PASSOS 4 A 7 PELO MENOS 10X PARA UM RESULTADO DE PURGA PERFEITO*

### 6.5.3. ENCHIMENTO DA TUBAGEM COM GÁS DE PROCESSO

Antes de colocar em funcionamento e encher o sistema de tubagens que se segue, realizar uma purga de gás próprio em função da estação de alívio (ver ponto 6.5.1) ou purga de gás externo (ver ponto 6.5.2). Por razões de segurança, recomendamos em todo o caso a montagem de uma tubagem de respiro.

1. Verificar se as espirais/mangueira de ligação, a tubagem de purga, de processo, de segurança e de respiro estão corretamente ligadas.
2. Fechar todas as válvulas da estação de alívio, marcação vermelha visível (4 portas).
3. Rodar o volante do regulador de pressão até encostar no sentido contrário dos ponteiros do relógio – a passagem fica assim fechada.
4. Abrir lentamente a válvula da garrafa
5. Abrir **L E N T A M E N T E** a válvula de corte de entrada
6. A estação de alívio está agora em funcionamento.
7. Recomenda-se controlar regularmente todos os dias a estação de alívio e verificar as pressões.

*RECOMENDAMOS VERIFICAR O COLETOR E OS MANÔMETROS DIARIAMENTE*

### 6.5.4. TROCA DE GARRAFA



#### NOTA!

- Observar os valores MAK (ver regras técnicas para substâncias perigosas, TRGS 900).
1. Fechar a válvula de garrafa na garrafa de gás
  2. Fechar a válvula de corte de entrada no lado da garrafa de gás vazia
  3. Abrir a válvula para a purga do gás de entrada/saída para aliviar a espiral ou mangueira de ligação.
  4. S300/S200/S60: Realizar purga de gás próprio (ver ponto 6.5.1)  
S203: Realizar purga de gás externo (ver ponto 6.5.2)
  5. Fechar a válvula de corte de entrada no lado da garrafa vazia
  6. Soltar a espiral/mangueira de ligação da válvula da garrafa de gás vazia
  7. Ligar uma nova garrafa de gás, usando SEMPRE uma nova vedação plana

*ANTES DE VOLTAR A COLOCAR EM FUNCIONAMENTO:*

8. S300/S200/S60: Realizar purga de gás próprio (6.5.1)  
S203: Realizar purga de gás externo (6.5.2).
9. Encher a espiral/mangueira de ligação com gás de processo.

### 6.5.5. COLOCAR O SISTEMA FORA DE SERVIÇO

Rodar o volante do regulador de pressão no sentido contrário dos ponteiros do relógio para fechar a estação de alívio.

Fechar o regulador de pressão não garante estanquidade, podendo sair gás pelas mangueiras ou pelos consumidores ligados.

Fechar válvula de corte de gás.

Por razões de segurança, fechar também sempre a válvula da garrafa.

*SE DESMONTAR COMPLETAMENTE A ESTAÇÃO DE ALÍVIO, DEVE PRESTAR ATENÇÃO AO SEGUINTE:*



#### PERIGO!

- Aliviar o regulador de pressão e as tubagens, desviando o gás através do consumidor. Os ponteiros do manómetro de entrada e de saída têm de estar completamente em "0".
- Se necessário, execute uma purga de gás próprio ou de gás externo.
- Tomar correspondentes medidas de proteção pessoal.
- Observar os valores MAK.
- Deve certificar-se que a estação de alívio não é pressurizada acima da pressão de serviço permitida.
- Antes de colocar em funcionamento, certifique-se que não há perigo para ninguém pela operação do aparelho de pressão.

## 6.6. CONTROLOS

- Após a pressurização, verifique o funcionamento do regulador de pressão.
- Verificar a estanquidade da válvula de respiro. A válvula tem de estar estanque.
- Verificar a estanquidade de todas as válvulas. As válvulas têm de estar estanques.

## 7. OPERAÇÃO

A operação da estação de alívio está definida para gases padrão, conforme o capítulo 2.1.



### CUIDADO!

- As válvulas manuais devem ser sempre abertas devagar e com cuidado, para evitar picos de pressão no sistema e proteger outros componentes.

## 8. MANUTENÇÃO

### 8.1. INDICAÇÕES DE SEGURANÇA PARA A MANUTENÇÃO



#### NOTA!

- Os trabalhos de manutenção têm de ser realizados por pessoal formado e autorizado. (ver capítulo 2.4).

### 8.2. PLANO DE MANUTENÇÃO

As próximas secções descrevem os trabalhos de manutenção necessários a uma operação otimizada e sem problemas do aparelho.

Se, nos controlos regulares, for detetado um desgaste maior, deverá reduzir-se os intervalos de manutenção necessários de acordo com os verdadeiros indícios de desgaste.

PT



#### NOTA!

- Se tiver dúvidas sobre os trabalhos e intervalos de manutenção, entre em contacto com o Apoio ao Cliente.

Intervalo	Trabalho de manutenção	Pessoal
Semanal	Todos os componentes verificar visualmente	Pessoa responsável (TRBS 1203)
Realizar uma vez por ano	O controlo de funcionamento e de estanquidade, verificação de todas as peças relevantes à segurança	Pessoa responsável (TRBS 1203)
A cada 10 anos	Fazer uma revisão geral e substituir todas as peças de desgaste	Pessoa responsável (TRBS 1203)

### 8.3. TRABALHOS DE MANUTENÇÃO

#### 8.3.1. LIMPEZA



#### NOTA!

- Os produtos e limpeza devem ser compatíveis com os materiais, com os quais entram em contacto.

### 8.3.2. CONDIÇÕES DA MANUTENÇÃO

*ANTES DA MANUTENÇÃO DEVE CERTIFICAR-SE QUE*

- O abastecimento de gás está interrompido e bloqueado.
- A estação de alívio está despressurizada.
- O regulador de pressão está aliviado.
- A válvula está fechada.
- Não se encontra nenhum gás de processo no sistema.
- O sistema foi purgado com gás inerte.

### 8.3.3. NECESSÁRIO SERVIÇO DE MANUTENÇÃO

- Verificação e precisão de indicação do valor nas indicações de pressão.
- Estação de alívio, regulador de pressão, válvulas e indicações de pressão: Verificar o estado quanto ao funcionamento, estado e identificação.
- Verificação da identificação.
- Verificação quanto a corrosão.
- Verificação do funcionamento.
- Verificação da estanquidade com pressão de serviço simples durante mais de 12 horas.
- Trocar imediatamente componentes gastos e avariados, serviço este que deve ser levado a cabo por uma empresa especializada e autorizada.
- A conceção das válvulas está de acordo com ISO 10297. Inclui um teste de tipo, no qual a válvula foi sujeita a um teste de vida útil de até 2000 ciclos. Após 2000 ciclos, trocar as peças interiores que entram em contacto com o fluido, serviço este que deve ser levado a cabo por uma empresa especializada e autorizada.
- Se forem detetadas fugas ou corrosão excessiva nas estações de alívio/regulador de pressão ou na válvula, devem ser trocadas completamente por uma empresa especializada autorizada entre a união mais próxima que se desfaz.
- Depois de trocar os componentes ou módulos de tubagem, deve realizar de novo um teste de pressão e registar.

### 8.4. MEDIDAS APÓS MANUTENÇÃO

*CONCLUÍDOS OS TRABALHOS DE MANUTENÇÃO E ANTES DE VOLTAR A COLOCAR EM FUNCIONAMENTO A ESTAÇÃO DE ALÍVIO, O REGULADOR DE PRESSÃO OU A VÁLVULA, DEVE EXECUTAR OS SEGUINTES PASSOS:*

1. Certificar-se que todas as ferramentas, materiais e outros equipamentos utilizados foram removidos da área de trabalho.
2. Limpar a área de trabalho e remover substâncias que tenham eventualmente saído, como líquidos, material de embalagem ou idêntico.
3. Certificar-se que os dispositivos de segurança do sistema estão todos a funcionar perfeitamente.

## 9. AVARIAS

O seguinte capítulo apresenta possíveis causas de avarias e os trabalhos para sua resolução. Se ocorrerem repetidamente avarias, deve encurtar os intervalos de manutenção de acordo com as condições reais. Em caso de avarias que não possam ser resolvidas com as seguintes indicações, entre em contacto com o fabricante.

### 9.1. INDICAÇÕES DE SEGURANÇA PARA A RESOLUÇÃO DE AVARIAS

No caso de avarias, interrompa o abastecimento de gás, alivie o regulador da pressão e feche as válvulas. Nunca executa os trabalhos de manutenção em componentes sob pressão.

*COMPORTAMENTO EM CASO DE AVARIAS:*

1. Interromper abastecimento de gás e bloqueá-lo.
2. Aliviar o regulador de pressão, fechar válvulas.
3. Somente pessoal qualificado é que pode resolver as avarias.
4. Restaurar o estado original do aparelho.



Descrição	Causa	Solução	Válvula	Reguladores da pressão de garrafas	Regulador da pressão de tubagem	Estações de alívio
Nenhum fluxo (manómetro de entrada mostra pressão, manómetro de saída não)	Regulador de pressão fechado	Abrir lentamente o regulador de pressão		<input checked="" type="checkbox"/>	<input checked="" type="checkbox"/>	<input checked="" type="checkbox"/>
Fechar válvula de purga 0	Válvula de garrafa fechada Válvula de gás usado fechada Regulador de pressão fechado Espiral/mangueria não conectada	Colocação em funcionamento conforme o ponto 6. Instalação e primeira colocação em funcionamento		<input checked="" type="checkbox"/>	<input checked="" type="checkbox"/>	<input checked="" type="checkbox"/>
Nenhum fluxo	Regulador de pressão fechado	Abrir lentamente o regulador de pressão	<input checked="" type="checkbox"/>			
Subida da pressão posterior e válvula de respiro abre	Fuga no assento do regulador de pressão	Reparação pelo fabricante		<input checked="" type="checkbox"/>	<input checked="" type="checkbox"/>	<input checked="" type="checkbox"/>
Ligeira subida da pressão posterior e válvula de respiro não abre	Descida da pré-pressão	Nenhum erro, estado normal de funcionamento		<input checked="" type="checkbox"/>	<input checked="" type="checkbox"/>	<input checked="" type="checkbox"/>
Ligeira subida da pressão posterior	Diferença entre pressão do fluxo (com fluxo) e pressão dinâmica (nenhum fluxo)	Nenhum erro, estado normal de funcionamento		<input checked="" type="checkbox"/>	<input checked="" type="checkbox"/>	<input checked="" type="checkbox"/>
Ligeira descida da pressão posterior	Diferença entre pressão dinâmica (nenhum fluxo) e pressão de fluxo (com fluxo)	Nenhum erro, estado normal de funcionamento		<input checked="" type="checkbox"/>	<input checked="" type="checkbox"/>	<input checked="" type="checkbox"/>
Forte descida da pressão posterior	Fluxo necessário para o regulador de pressão demasiado grande	Choose new pressure regulator for required pressure and flow		<input checked="" type="checkbox"/>	<input checked="" type="checkbox"/>	<input checked="" type="checkbox"/>

PT

Descrição	Causa	Solução	Válvula	Reguladores da pressão de garrafas	Regulador da pressão de tubagem	Estações de alívio
Forte descida da pressão posterior	Tubagem do gás de processo não estanqu	Escolha de um novo regulador de pressão para a pressão e o fluxo exigidos		<input checked="" type="checkbox"/>	<input checked="" type="checkbox"/>	<input checked="" type="checkbox"/>
Pressão de saída demasiado alta	Ajuste errado do regulador	Adaptar ajuste do regulador de pressão, reajustar, manutenção		<input checked="" type="checkbox"/>	<input checked="" type="checkbox"/>	<input checked="" type="checkbox"/>
A pressão posterior sobe imediatamente até encostar ou a pressão posterior sob lentamente acima do valor ajustado e a válvula de respiro sopra	Sujidade ou danificação do assento "Steiger"	Reparação pelo fabricante		<input checked="" type="checkbox"/>	<input checked="" type="checkbox"/>	<input checked="" type="checkbox"/>
Ruídos durante a operação	Fluxo necessário para o regulador de pressão demasiado a	Escolha de um novo regulador de pressão para a pressão e o fluxo exigidos		<input checked="" type="checkbox"/>	<input checked="" type="checkbox"/>	<input checked="" type="checkbox"/>
Nenhuma alteração do comando da válvula, apesar de rodar o volante	Volante avariado devido a binário demasiado alto, fuso avariado, rosca avariada	Reparação pelo fabricante	<input checked="" type="checkbox"/>	<input checked="" type="checkbox"/>	<input checked="" type="checkbox"/>	<input checked="" type="checkbox"/>
Humidade no regulador de pressão (SEM orvalho, chuva ou neve)	O regulador de pressão vai buscar energia ao ambiente por alívio de gás	Nenhum erro estado normal de funcionamento		<input checked="" type="checkbox"/>	<input checked="" type="checkbox"/>	<input checked="" type="checkbox"/>

Descrição	Causa	Solução	Válvula	Reguladores da pressão de garrafas	Regulador da pressão de tubagem	Estações de alívio
Formação de gelo no regulador de pressão (SEM orvalho, chuva ou neve)	O regulador de pressão vai buscar energia ao ambiente por alívio de gás, fornecimento limitado dos reservatórios de gás de pressão p. ex. em N <sub>2</sub> O, CO <sub>2</sub>	Nenhum erro Estado normal de funcionamento <b>ATENÇÃO:</b> Prestar atenção à funcionalidade dos manómetros de contacto, aumentar o número dos reservatórios de gás de pressão		☑	☑	☑

Esta tabela pode não estar completa. Se tiver perguntas ou dúvidas, entre em contacto com o fabricante.

## 10. DESMONTAGEM E ELIMINAÇÃO

Quando o aparelho chega ao fim da sua vida útil, tem de ser desmontado e encaminhado para uma eliminação sem prejuízo para o ambiente.

### 10.1. INDICAÇÕES DE SEGURANÇA PARA DESMONTAGEM E ELIMINAÇÃO

PT



**AVISO!**

- **Perigo de ferimentos em caso de desmontagem errada!**
- As energias residuais acumuladas, os componentes pontiagudos, pontas e cantos no aparelho ou as ferramentas necessárias podem causar ferimentos.
- Antes de iniciar os trabalhos, proporcione espaço suficiente.
- Manusear com cuidado os componentes pontiagudos abertos.
- Manter o local de trabalho organizado e limpo!
- Componentes e ferramentas soltos ou espalhados podem originar quedas.
- Desmontar corretamente os componentes. Observar o peso próprio, que por vezes é alto, dos componentes. Se necessário, usar equipamento de elevação.
- Proteger os componentes, para não caírem ou tombarem.
- Em caso de dúvida, entre em contacto com o fabricante.

### 10.2. DESMONTAGEM

#### ANTES DE COMEÇAR A DESMONTAGEM

Rodar o volante no sentido contrário dos ponteiros do relógio para fechar o regulador de pressão do segundo nível de pressão da estação de alívio.

Aliviar a estação de alívio e assegurar que não se encontra nenhum gás de processo no interior da estação de alívio.

Aliviar o sistema e, se necessário, purgar com gás inerte.

Aliviar o lado de alta pressão da estação através da válvula de gás de purga.

Dependendo da versão, execute uma purga de gás próprio ou de gás externo.

Remover e eliminar de forma ecológica os materiais de serviço e auxiliares, bem como os restos dos materiais de processamento.

De seguida, limpar devidamente os componentes e módulos e decompô-los de acordo com os regulamentos de proteção do trabalho e do ambiente localmente em vigor. Observar os regulamentos da proteção do trabalho e do ambiente.



## AVISO!

- **Não abrir o sistema, quando ainda contém no seu interior gás corrosivo e/ou tóxico!**

### 10.3. ELIMINAÇÃO

Se não houver nenhum acordo de devolução ou eliminação, deve encaminhar os componentes decompostos para a reciclagem:

Metais para a sucata.

Reciclar elementos de plástico.

Separar os restantes componentes por natureza do material.

De acordo com o Artigo 33 do Decreto REACH, a sociedade GCE, s.r.o. compromete-se, como fabricante responsável, a informar todos os clientes quando os materiais contêm 0,1% ou mais das substâncias alarmantes que constam da lista (SVHC).

As ligas de latão mais usadas em corpos e outros componentes de latão contêm 2-3% de chumbo (Pb), N.º CE 231-468-6, N.º CAS 7439-92-1. No uso normal, o chumbo não é libertado para o gás nem para o ambiente. No fim da sua vida útil, o produto tem de ser eliminado por uma empresa de reciclagem de metais certificada e aprovada, de modo a garantir uma eliminação eficaz do material com efeitos mínimos para o ambiente e a saúde.

Até hoje não temos informação de que os materiais com concentrações de SVHC contêm mais de 0,1% de produtos GCE.



## NOTA!

- **Perigo para o ambiente por eliminação errada!**
- Uma eliminação errada pode causar perigos para o ambiente.
- A sucata eletrónica, os componentes eletrónicos, lubrificantes e outros materiais auxiliares devem ser eliminados por empresas especializadas autorizadas. Em caso de dúvida, informe-se sobre a eliminação ecológica junto das autoridades municipais locais ou junto de empresas locais especializadas em eliminação.

PT

[www.linde.com](http://www.linde.com)

Estes artigos foram criados a pedido de Linde.

PT

# INHOUD

<b>1. ALGEMEEN</b> .....	<b>194</b>
1.1. INFORMATIE OVER DEZE HANDLEIDING .....	194
1.2. INFORMATIE OVER HET DRUKREGELSTATION.....	194
1.2.1. S300/S200/S60.....	195
1.2.2. S203 .....	195
1.3. VERKLARING VAN DE SYMBOLEN.....	195
1.4. BEPERKING VAN DE AANSPRAKELIJKHEID .....	196
1.5. AUTEURSRECHTELIJKE BESCHERMING.....	196
1.6. RESERVEONDERDELEN .....	197
1.7. GARANTIEVOORWAARDEN .....	197
1.8. KLANTENSERVICE.....	197
<b>2. VEILIGHEID</b> .....	<b>197</b>
2.1. GEBRUIK IN OVEREENSTEMMING MET HET BEOOGDE DOEL .....	197
2.1.1. STRUCTURELE VERANDERINGEN AAN HET DRUKREGELSTATION.....	197
2.2. BASISGEVAREN .....	198
2.3. VERANTWOORDELIJKHEID VAN DE EXPLOITANT .....	199
2.4. VEREISTEN AAN HET PERSONEEL .....	200
2.4.1. KWALIFICATIES .....	200
2.4.2. ONBEVOEGDEN.....	200
2.4.3. INSTRUCTIE.....	200
2.5. PERSOONLIJKE BESCHERMINGSMIDDELEN.....	201
2.6. WAT TE DOEN BIJ BRAND OF ONGEVAL .....	202
2.7. MILIEUBESCHERMING .....	202
2.8. GEVARENTEKENS .....	202
2.8.1. GEBODSTEKENS.....	202
2.8.2. VERBODSTEKENS.....	202
2.8.3. WAARSCHUWINGSTEKENS.....	202
<b>3. TECHNISCHE GEGEVENS</b> .....	<b>203</b>
3.1. STROOMSCHEMA – S300/S200/S60.....	203
3.2. MAATBLAD – S300/S200/S60 .....	204
3.3. STROOMSCHEMA – S203 .....	205
3.4. MAATBLAD – S203 .....	206
3.5. ALGEMENE INFORMATIE.....	207
3.6. AANSLUITINGSWAARDEN.....	207
3.7. VERMOGENSWAARDEN.....	207
3.8. BEDRIJFSOMSTANDIGHEDEN OMGEVING.....	207
<b>4. OPBOUW EN WERKING</b> .....	<b>208</b>
4.1. OPBOUW – S300/S200/S60 .....	208
4.2. OPBOUW – S203 .....	208
4.3. KORTE BESCHRIJVING .....	208
<b>5. TRANSPORT, VERPAKKING EN OPSLAG</b> .....	<b>209</b>
5.1. VEILIGHEIDSAANWIJZINGEN VOOR HET TRANSPORT.....	209
5.2. TRANSPORT INSPECTIE .....	209
5.3. VERPAKKING.....	210
5.4. OPSLAG.....	210
<b>6. INSTALLATIE EN EERSTE INGEBRUIKNAME</b> .....	<b>210</b>
6.1. VEILIGHEIDSIINSTRUCTIES VOOR DE INSTALLATIE EN EERSTE INBEDRIJFSTELLING .....	210
6.2. VOORBEREIDINGEN.....	210
6.3. INSTALLATIE.....	211
6.4. VOORWAARDE VOORWAARDEN VOOR EERSTE INBEDRIJFSTELLING .....	211
6.5. EERSTE INGEBRUIKNAME .....	212
6.5.1. PROCESGASSPOELING (S300/S200/S60) .....	212
6.5.2. VREEMDGASSPOELING (S203).....	212
6.5.3. VULLEN VAN DE PROCESGASLEIDING MET PROCESGAS.....	212
6.5.4. FLESWISSEL .....	213
6.5.5. BUITENBEDRIJFSTELLING VAN DE INSTALLATIE.....	213
6.6. CONTROLES.....	213

<b>7. WERKING</b> .....	<b>213</b>
<b>8. ONDERHOUD</b> .....	<b>214</b>
8.1. VEILIGHEIDSINSTRUCTIES VOOR HET ONDERHOUD .....	214
8.2. ONDERHOUDSSHEMA .....	214
8.3. ONDERHOUDSWERKZAAMHEDEN .....	214
8.3.1. REINIGING .....	214
8.3.2. VOORWAARDE VOOR ONDERHOUD .....	214
8.3.3. NOODZAKELIJKE ONDERHOUDSBEURT .....	214
8.4. MAATREGELEN NA UITVOERING VAN HET ONDERHOUD .....	215
<b>9. STORINGEN</b> .....	<b>215</b>
9.1. VEILIGHEIDSINSTRUCTIES VOOR DE PROBLEEMOPLOSSING .....	215
<b>10. DEMONTAGE EN AFVOEREN</b> .....	<b>218</b>
10.1. VEILIGHEIDSINSTRUCTIES VOOR DE DEMONTAGE EN VERWIJDERING .....	218
10.2. DEMONTAGE .....	218
10.3. VERWIJDERING .....	218

NL

# NEDERLANDS

## GEBRUIKSAANWIJZING: DRUKREGELSTATION

### 1. ALGEMEEN

#### 1.1. INFORMATIE OVER DEZE HANDLEIDING

Deze handleiding geldt voor drukregelstations van het type:

- S300
- S203
- S200
- S60

Deze drukregelstations worden gebruikt om gas uit drukgascontainers te halen en om de druk af te laten. De drukregelstations worden vast aan de wand bevestigd en met spiraalvormige leidingen of gegolfde slangen aangesloten aan de gastanks onder druk. Deze handleiding maakt een veilig en efficiënt gebruik van het apparaat mogelijk. De handleiding maakt deel uit van het apparaat en dient in de onmiddellijke nabijheid van het apparaat te worden bewaard en te allen tijde voor het personeel toegankelijk te zijn. Het personeel moet deze handleiding zorgvuldig gelezen en begrepen hebben alvorens met de werkzaamheden te beginnen.

De basisvoorwaarde voor veilig werken is het in acht nemen van alle veiligheidsinstructies en instructies voor acties die in deze handleiding worden gegeven. Bovendien zijn de plaatselijke ongevalpreventievoorschriften en algemene veiligheidsvoorschriften voor het toepassingsgebied van het apparaat van toepassing. De illustraties in deze handleiding zijn bedoeld voor elementair begrip en kunnen afwijken van de werkelijke uitvoering.

#### 1.2. INFORMATIE OVER HET DRUKREGELSTATION

Drukregelstations van dit type mogen alleen worden gebruikt voor de gassen die als standaardgas zijn gedefinieerd. De maximale werkdruk voor deze drukregelstations bedraagt maximaal 300 bar. Een-traps drukregelstations bestaan uit kleppen en drukregelaars met metalen membranen. Vervaardigd en goedgekeurd volgens ISO 7291/10297 inclusief zuurstof-burnout-test.

NL

Productlijn	(Zuiverheid 6.0   messing verchroomd)	(Zuiverheid 6.0   roestvrij staal)
Met <b>FKM</b> -zitting van de afblaasklep	<ul style="list-style-type: none"><li>• Bruikbare gassen (inclusief mengsels daarvan):<ul style="list-style-type: none"><li>• High Purity</li><li>• Inert</li><li>• Brandbaar</li><li>• Brandbevorderend</li><li>• O<sub>2</sub></li></ul></li><li>• Gassen die NIET kunnen worden gebruikt (inclusief mengsels daarvan):<ul style="list-style-type: none"><li>• Bijtend</li><li>• Giftig</li><li>• CO<sub>2</sub>, N<sub>2</sub>O</li></ul></li></ul>	<ul style="list-style-type: none"><li>• Bruikbare gassen (inclusief mengsels daarvan):<ul style="list-style-type: none"><li>• High Purity</li><li>• Inert</li><li>• Brandbaar</li><li>• O<sub>2</sub> tot 200 bar</li><li>• Bijtend (Bij onduidelijkheid ons raadplegen)<ul style="list-style-type: none"><li>• Giftig (Bij onduidelijkheid ons raadplegen)</li></ul></li></ul></li><li>• Gassen die NIET kunnen worden gebruikt (inclusief mengsels daarvan):<ul style="list-style-type: none"><li>• O<sub>2</sub> boven 200 bar</li><li>• CO<sub>2</sub>, N<sub>2</sub>O</li><li>• NH<sub>3</sub>, SO<sub>2</sub>, H<sub>2</sub>S</li></ul></li></ul>



<p>Met EPDM-zitting van de afblaasklep</p>	<ul style="list-style-type: none"> <li>• Bruikbare gassen (inclusief mengsels daarvan): <ul style="list-style-type: none"> <li>• High Purity</li> <li>• Inert</li> <li>• Brandbaar</li> <li>• Brandbevorderend</li> <li>• CO<sub>2</sub>, N<sub>2</sub>O</li> </ul> </li> <li>• Gassen die NIET kunnen worden gebruikt (inclusief mengsels daarvan): <ul style="list-style-type: none"> <li>• Bijtend</li> <li>• Giftig</li> <li>• O<sub>2</sub> (Aandeel groter dan 21%)</li> <li>• Koolwaterstoffen</li> </ul> </li> </ul>	<ul style="list-style-type: none"> <li>• Bruikbare gassen (inclusief mengsels daarvan): <ul style="list-style-type: none"> <li>• High Purity</li> <li>• Inert</li> <li>• Brandbaar</li> <li>• Brandbevorderend</li> <li>• Bijtend (Bij onduidelijkheid ons raadplegen)</li> <li>• Giftig (Bij onduidelijkheid ons raadplegen)</li> <li>• CO<sub>2</sub>, N<sub>2</sub>O</li> <li>• NH<sub>3</sub>, SO<sub>2</sub>, H<sub>2</sub>S</li> </ul> </li> <li>• Gassen die NIET kunnen worden gebruikt (inclusief mengsels daarvan): <ul style="list-style-type: none"> <li>• O<sub>2</sub> (Aandeel groter dan 21%)</li> <li>• Koolwaterstoffen</li> </ul> </li> </ul>
--------------------------------------------	------------------------------------------------------------------------------------------------------------------------------------------------------------------------------------------------------------------------------------------------------------------------------------------------------------------------------------------------------------------------------------------------------------------------------------------------------------------------------------------------------------------------------	------------------------------------------------------------------------------------------------------------------------------------------------------------------------------------------------------------------------------------------------------------------------------------------------------------------------------------------------------------------------------------------------------------------------------------------------------------------------------------------------------------------------------------------------------------------------------------------------------------------------------------------------------------------

Deze tabel maakt geen aanspraak op volledigheid. Neem bij vragen of onduidelijkheden contact op met de fabrikant.

### 1.2.1. S300/S200/S60

Dit drukregelstation is verkrijgbaar in de uitvoeringen messing verchromd en roestvrij staal. Het bestaat uit de volgende componenten:

- drukregelbaar met ingangs- en uitgangsdrukmeter
- spoelklep voor procesgasspoeling en 4-poorts afsluitklep aan de ingang
- afblaasklep
- frontplaat en grondplaat

#### TOEVOEGING

- S: veiligheidsklep aan de uitgang
- C: terugslagkleppen aan de ingangen
- U: veiligheidsklep aan de uitgang en terugslagkleppen aan de ingangen

### 1.2.2. S203

Dit drukregelstation is enkel verkrijgbaar in de roestvrij stalen versie. Het bestaat uit de volgende componenten:

- drukregelbaar met ingangs- en uitgangsdrukmeter
- telkens twee 4-poorts spoelkleppen en een 2-poorts klep voor de inertgasspoeling aan de ingangen
- afblaasklep
- frontplaat en grondplaat

#### TOEVOEGING

- S: veiligheidsklep aan de uitgang

## 1.3. VERKLARING VAN DE SYMBOLEN

### VEILIGHEIDSIN- STRUCTIES

Veiligheidsinstructies worden in deze handleiding aangeduid met symbolen. De veiligheidsinstructies worden ingeleid door signaalwoorden die de omvang van het gevaar uitdrukken.

#### GEVAAR!



Deze combinatie van symbool en signaalwoord duidt op een onmiddellijke gevaarlijke situatie die, indien zij niet wordt vermeden, zal leiden tot de dood of ernstig letsel.

#### WAARSCHUWING!



Deze combinatie van symbool en signaalwoord duidt op een mogelijk gevaarlijke situatie die, indien zij niet wordt vermeden, kan leiden tot de dood of ernstig letsel.

	<b>VOORZICHTIG!</b>
	<b>AANWIJZING!</b>
	<b>TIPS EN AANBEVELINGEN</b>
<b>BIJZONDERE OPMERKINGEN</b>	Om de aandachtig te vestigen op bijzondere gevaren worden in veiligheidsinstructies de volgende symbolen gebruikt.
	<b>GEVAAR!</b>
	Deze combinatie van symbool en signaalwoord duidt op een onmiddellijke gevaarlijke situatie door elektridche stroom. Het niet in acht nemen van een opmerking met deze markering kan ernstige of zelfs dodelijke verwondingen tot gevolg hebben.

## 1.4. BEPERKING VAN DE AANSPRAKELIJKHEID

Alle informatie en instructies in deze handleiding zijn opgesteld met inachtneming van de geldende normen en voorschriften, de stand van de techniek en onze jarenlange kennis en ervaring.

In de volgende gevallen aanvaardt de fabrikant geen aansprakelijkheid voor schade:

- Het niet in acht nemen van deze handleiding
- Gebruikt dat afwijkt van het gebruik volgens de voorschriften
- Het inzetten van niet opgeleid personeel
- Het uitvoeren van technische en structurele veranderingen op eigen inzicht
- Het gebruik van niet toegelaten reserveonderdelen
- Het bedienen van het onder druk staande apparaat met defecte veiligheidsvoorzieningen of niet correct geïnstalleerde of niet goed functionerende veiligheids- en beschermingsinrichtingen
- Ontoereikende controle van de uitrustings-, schroef- en afdichtingsonderdelen die aan slijtage onderhevig zijn
- Onjuist uitgevoerde reparaties
- Overschrijding of onderschrijding van het in het informatieblad aangegeven temperatuurbereik tijdens het gebruik of de opslag
- Rampen veroorzaakt door de inwerking van vreemde voorwerpen en overmacht

De daadwerkelijke leveringsomvang kan bij speciale uitvoeringen, bij het gebruik van extra bestelopties of op grond van de nieuwste technische wijzigingen van de hier beschreven uitleg en weergaven afwijken. De in het leveringscontract overeengekomen verplichtingen, de algemene handelsvoorwaarden en de leveringsvoorwaarden van de fabrikant en de op het ogenblik van de afsluiting van het contract geldende wettelijke voorschriften zijn van toepassing.

## 1.5. AUTEURSRECHTELIJKE BESCHERMING

De inhoud van deze handleiding is auteursrechtelijk beschermd. Het gebruik ervan is toegestaan binnen het toepassingsgebied van het apparaat. Elk gebruik dat verder gaat dan dit, is niet toegestaan zonder schriftelijke toestemming van de fabrikant.

## 1.6. RESERVEONDERDELEN



### WAARSCHUWING!

- Risico op letsel door het gebruik van onjuiste reserveonderdelen!
- Door het gebruik van onjuiste of ondeugdelijke reserveonderdelen kan gevaar ontstaan voor het personeel en kan schade, storingen of totale uitval worden veroorzaakt.
- Enkel originele reserveonderdelen van de fabrikant of door de fabrikant toegelaten reserveonderdelen gebruiken.
- Neem in geval van twijfel altijd contact op met de fabrikant.



### GARANTIEVERLIJES

- Bij gebruik van niet-goedgekeurde onderdelen vervalt de garantie van de fabrikant.

## 1.7. GARANTIEVOORWAARDEN

Als regel zijn onze "algemene verkoop- en leveringsvoorwaarden" van toepassing. Deze staan uiterlijk bij het afsluiten van het contract ter beschikking van de klant.

## 1.8. KLANTENSERVICE

Wij zijn altijd geïnteresseerd in informatie en ervaringen die voortvloeien uit de toepassing en die waardevol kunnen zijn voor de verbetering van onze producten.

## 2. VEILIGHEID

In dit hoofdstuk vindt u een overzicht van alle belangrijke veiligheidsaspecten voor de bescherming van personen en voor een veilige en storingenvrije werking. Verdere taakgerelateerde veiligheidsinstructies staan in de hoofdstukken over de afzonderlijke levensfasen.

### 2.1. GEBRUIK IN OVEREENSTEMMING MET HET BEOOGDE DOEL

De drukregelstations mogen alleen worden gebruikt voor de gespecificeerde gassen en druk en met inachtneming van de gespecificeerde temperaturen. De nominale volumestroom bedraagt 20 m<sup>3</sup>/h (perslucht). Onder gebruik volgens de voorschriften wordt ook verstaan het in acht nemen van alle informatie en aanwijzingen in deze handleiding en het in acht nemen van de inspectie- en onderhoudswerkzaamheden, alsmede het in acht nemen van het typeplaatje en de technische fiches. Elk gebruik dat verder gaat dan het beoogde gebruik of elk ander gebruik wordt beschouwd als verkeerd gebruik.

NL



### WAARSCHUWING!

- **Gevaar bij verkeerd gebruik!**
- Verkeerd gebruik van de drukregelstations kan tot gevaarlijke situaties leiden.
- Gebruik de drukregelstations nooit voor vloeistoffen.
- Sluit nooit bronnen aan met hogere ingangsdrukken dan bedoeld voor het bijbehorende drukregelpaneel.

#### 2.1.1. STRUCTURELE VERANDERINGEN AAN HET DRUKREGELSTATION

Zonder schriftelijk toestemming van de fabrikant geen wijzigingen, aanpassingen of verbouwingen aan het drukregelstation uitvoeren.

Drukregelstations die niet in perfecte staat zijn, dienen onmiddellijk te worden vervangen.

Reiniging van de gastoestellen en verwijdering van de residuen

Gebruikte drukregelstations die gerepareerd dienen te worden, dienen met een inert gas (stikstof) te worden gespoeld.

Opwekking van lawaai

In sommige gevallen kan de ongunstige wisselwerking van bepaalde beïnvloedende variabelen zoals stroming en drukbereik, maar ook de gassoort zelf, leiden tot opwekking van lawaai. Neem contact op met de fabrikant in deze gevallen.

## 2.2. BASISGEVAREN

In de volgende paragraaf worden de risico's opgesomd die aan het toestel verbonden kunnen zijn, zelfs indien het voor het beoogde doel wordt gebruikt.

Om de risico's van persoonlijk letsel en materiële schade te beperken en gevaarlijke situaties te vermijden, dienen de hier vermelde veiligheidsinstructies en de veiligheidsinstructies in de andere paragrafen van deze handleiding in acht te worden genomen.



### GEVAAR!

- **Gassen kunnen levensgevaarlijk zijn!**
- Gassen kunnen de lucht verdringen en dus ook de zuurstof die erin zit. Dit kan leiden tot dood door verstikking. Zuurstof vormt een sterk oxidatieve atmosfeer. Ontvlambare gassen kunnen een explosieve atmosfeer vormen.

DAAROM:

- Zorgen voor voldoende ventilatie!
- Installatie alleen door een gecertificeerde professionele firma!
- ATEX-richtlijnen in acht nemen



### ATTENTIE!

- **Gevaren die door de omgeving kunnen ontstaan!**  
Door condensatie en/of ijsafzetting kunnen defecten aan het apparaat ontstaan.

DAAROM:

- Temperatuurbereik in acht nemen!
- Het apparaat beschermen tegen vloeistoffen van buitenaf!
- Het apparaat beschermen tegen stof van buitenaf!
- Monteren beschermd tegen het weer!
- Bestaande aarding correct aanbrengen!

NL



### WAARSCHUWING!

- **Risico op ongevallen bij gebruik van olie en vet!**  
Oliën en vetten mogen nooit worden gebruikt in drukregelsystemen. Oliën en vetten zijn zeer ontvlambaar en reageren met bepaalde samengeperste gassen.

DAAROM:

- In geen geval olie en vet gebruiken!



### WAARSCHUWING!

- **Gevaar voor ongevallen door in het systeem opgeslagen energie!**  
Door een onjuiste behandeling kunnen drukdragende onderdelen of afzonderlijke onderdelen ervan ongecontroleerd gaan bewegen en ernstig of zelfs dodelijk letsel veroorzaken. Door onjuiste behandeling kan gas uit de drukdragende delen ontsnappen en ernstig of zelfs dodelijk letsel veroorzaken.

VOOR HET BEGIN VAN ALLE WERKZAAMHEDEN MET DRUKDRAGENDE ONDERDELEN:

- Installatie alleen door een gecertificeerde professionele firma!
- Veiligheidsbril dragen!
- Gehoorbescherming dragen!
- Ervoor zorgen dat het systeem niet onder druk staat!
- Ervoor zorgen dat er geen energie meer in het systeem is opgeslagen!
- Ervoor zorgen dat er niet onbedoeld gas kan ontsnappen!
- Ervoor zorgen dat defecte onderdelen onmiddellijk door geschoold personeel worden vervangen!



## WAARSCHUWING!

- **Risico op ongevallen!**

Onjuiste installatie kan ernstig of zelfs dodelijk letsel veroorzaken.

### DAAROM:

- De apparaten tegen omvallen beveiligen tijdens de installatie!
- Niet gooien met apparaten!

Drukdragende onderdelen mogen alleen worden gebruikt voor het beoogde gebruik.

In geval van mechanische schade aan pijpleidingen en kranen dient het systeem in een veilige toestand te worden gebracht (betrokken gedeelte blokkeren).

Storingen die de veiligheid in gevaar kunnen brengen, dienen onmiddellijk door opgeleid en gekwalificeerd personeel of door de fabrikant te worden verholpen.

Vooral bij gassen bestaat het risico van een defect aan de leidingdrukregelaar. Indicatoren hiervoor zijn ofwel geen gasdoorstroming na de drukregelaar ofwel een plotse toename van de tegendruk. Bij een defect aan de drukregelaar dient het systeem onmiddellijk buiten gebruik te worden genomen.

Het verantwoordelijke onderhoudsbedrijf moet absoluut worden ingelicht. Nooit afblaasleidingen afsluiten.

## 2.3. VERANTWOORDELIJKHEID VAN DE EXPLOITANT

### EXPLOITANT

De exploitant is de persoon die het toestel zelf bedient voor commerciële of economische doeleinden of het aan een derde overlaat voor gebruik/toepassing en de wettelijke productverantwoordelijkheid draagt voor de bescherming van de gebruiker, het personeel of derden tijdens het gebruik.

### PLICHTEN VAN DE EXPLOITANT

Het apparaat wordt in het commerciële bereik ingezet. De exploitant van het apparaat is dus onderworpen aan de wettelijke voorschriften inzake arbeidsveiligheid.

Naast de veiligheidsinstructies in deze handleiding moeten de veiligheids-, ongevallenpreventie- en milieu-beschermingsvoorschriften in acht worden genomen voor het toepassingsgebied van het apparaat.

### DAARBIJ GELDT IN HET BIJZONDER HET VOLGENDE:

- De exploitant moet zich op de hoogte stellen van de geldende arbeidsveiligheidsbepalingen en in een gevarenbeoordeling bovendien de gevaren vaststellen die ontstaan door de speciale werkomstandigheden op de plaats van inzet van het apparaat. Hij dient deze om te zetten in de vorm van gebruiksaanwijzingen voor de werking van het apparaat.
- Tijdens de hele gebruiksduur van het apparaat dient de exploitant na te gaan of de door hem of haar opgestelde gebruiksaanwijzingen overeenstemmen met de actuele wet- en regelgeving en dient hij of zij deze zonedig aan te passen.
- De exploitant moet de verantwoordelijkheden voor de installatie, de bediening, het verhelpen van de storingen, het onderhoud en de reiniging duidelijk regelen en vastleggen.
- De exploitant dient ervoor te zorgen dat alle personen die met het apparaat omgaan deze instructies hebben gelezen en begrepen. Bovendien dient hij of zij het personeel op gezette tijden op te leiden en voor te lichten over de gevaren.
- De exploitant dient het personeel de nodige beschermingsmiddelen ter beschikking te stellen en bindende instructies te geven over het dragen van de vereiste beschermingsmiddelen.

Bovendien is het de taak van de exploitant ervoor te zorgen dat de volledige technische betrouwbaarheid van het systeem te allen tijde gewaarborgd is.

### GELDT DERHALVE HET VOLGENDE:

- De exploitant moet ervoor zorgen dat de in deze handleiding gespecificeerde onderhoudsintervallen worden nageleefd.
- De exploitant moet ervoor zorgen dat alle veiligheidsvoorzieningen regelmatig worden gecontroleerd op functionele betrouwbaarheid en volledigheid.

## 2.4. VEREISTEN AAN HET PERSONEEL

### 2.4.1. KWALIFICATIES

De verschillende taken die in deze handleiding worden beschreven, stellen verschillende eisen aan de kwalificatie van de personen die met deze taken worden belast.



#### WAARSCHUWING!

• ***Gevaar bij onvoldoende kwalificatie van personen!***

- Onvoldoende gekwalificeerde personen kunnen de risico's bij de omgang met het apparaat niet inschatten en stellen zichzelf en anderen bloot aan het risico van een ernstig of dodelijk letsel.
- Alle werkzaamheden alleen laten uitvoeren door daarvoor gekwalificeerd personeel!
- Onvoldoende gekwalificeerde personen uit de buurt van het werkgebied houden!

Voor alle werkzaamheden zijn alleen personen toegelaten van wie kan worden verwacht dat ze deze werkzaamheden op betrouwbare wijze kunnen uitvoeren. Personen van wie het reactievermogen is aangetast, bijvoorbeeld door drugs, alcohol of geneesmiddelen, zijn niet toegestaan.

In deze handleiding worden de kwalificaties van de hieronder vermelde personen voor de verschillende taken benoemd:

#### *INGENIEUR GASTECHNOLOGIE*

Beschikt over een gespecialiseerde opleiding, vaardigheden, ervaring en kennis betreffende relevante normen en richtlijnen om werkzaamheden aan drukcontrolesystemen te kunnen uitvoeren en mogelijke risico's te kunnen onderkennen. Ingenieurs gastechnologie worden speciaal opgeleid met betrekking tot het respectieve productiebedrijf en zijn specifieke normen en richtlijnen.

#### *TECHNICUS*

Beschikt over een gespecialiseerde opleiding, vaardigheden en ervaring van betreffende relevante normen en richtlijnen om werkzaamheden aan drukcontrolesystemen te kunnen uitvoeren en mogelijke risico's te kunnen onderkennen.

### 2.4.2. ONBEVOEGDEN

NL



#### WAARSCHUWING!

• ***Levensgevaar voor onbevoegden door gevaren in het gevaren- en werkgebied!***

- Onbevoegde personen die niet aan de hier beschreven eisen voldoen, zijn niet op de hoogte van de gevaren in het werkgebied. Daarom bestaat er gevaar voor ernstig of zelfs dodelijk letsel voor onbevoegden.
- Onbevoegde personen uit de buurt van het gevaren- en werkbereik houden!
- Bij twijfel personen aanspreken en hen uit het gevaren- en arbeidsbereik leiden!
- De werkzaamheden onderbreken zolang onbevoegden zich in het gevaren- en arbeidsbereik bevinden!

### 2.4.3. INSTRUCTIE

De exploitant dient het personeel regelmatig te instrueren.

Voor een betere opvolging dient een opleidingsprotocol te worden opgesteld met de volgende minimale inhoud:

- Datum van de instructie
- Naam van de geïnstrueerde
- Inhoud van de instructie
- Naam van de instructeur
- Handtekeningen van de geïnstrueerden en de instructeur

## 2.5. PERSOONLIJKE BESCHERMINGSMIDDELEN

De persoonlijke beschermingsmiddelen worden gebruikt om personen te beschermen tegen aantastingen van de veiligheid en de gezondheid op het werk.

Het personeel moet tijdens de diverse werkzaamheden aan en met het apparaat persoonlijke beschermingsmiddelen dragen, waarnaar in de afzonderlijke hoofdstukken van deze handleiding apart wordt verwezen.



### BESCHERMEND ADEMHALINGSAPPARAAT, ONAFHANKELIJK VAN DE OMGEVINGSLUCHT

Bescherming tegen schadelijke gassen, dampen, stof en soortgelijke stoffen. Beschermende ademhalingsapparaten zoals ademluchttoestellen met gecompriëerde lucht moeten worden gebruikt wanneer een zuurstofgehalte van meer dan 17% in de omgevingslucht niet kan worden gegarandeerd en/of een overschrijding van de toelaatbare grenzen van schadelijke stoffen in de omgevingslucht niet kan worden uitgesloten.

Beschermende ademhalingsapparaten die onafhankelijk zijn van de omgevingslucht mogen alleen worden gedragen door speciaal opgeleid personeel.



### BESCHERMEND ADEMHALINGSAPPARAAT, ONAFHANKELIJK VAN DE OMGEVINGSLUCHT

Bescherming tegen schadelijke gassen, dampen, stof en soortgelijke stoffen. Beschermende ademhalingsapparaten die afhankelijk zijn van de omgevingslucht moeten worden gebruikt als niet kan worden uitgesloten dat de toelaatbare grenswaarden van schadelijke stoffen in de omgevingslucht zullen worden overschreden. Beschermende ademhalingsapparaten die afhankelijk zijn van de omgevingslucht mogen alleen worden gebruikt bij een gegarandeerd zuurstofgehalte in de lucht die men inademt van meer dan 17%.



### VEILIGHEIDSBRIL

Bescherming tegen rondvliegende onderdelen en druppels.



### HANDSCHOENEN, CHEMISCH BESTENDIG

Beschermt de handen tegen agressieve stoffen. Er dient op te worden toegezien dat de handschoenen lekvrij zijn. Na gebruik de handschoenen vakkundig afvoeren.



### BESCHERMENDE HANDSCHOENEN

Bescherming van de handen tegen mechanische invloeden en zowel hete als koude oppervlakken.



### GEHOORBESCHERMING DRAGEN

Beschermt het gehoor tegen te harde geluiden en voorkomt geluidstrauma's.

## 2.6. WAT TE DOEN BIJ BRAND OF ONGEVAL

### PREVENTIEVE MAATREGELEN

- Altijd voorbereid zijn op brand en ongevallen
- Eerstehulpuitrusting (verbanddoos, dekens, enz.) en brandblusapparatuur in orde en binnen handbereik houden.
- Personeel vertrouwd maken met de faciliteiten voor het melden van ongevallen, eerste hulp en redding.
- Toegangswegen vrijhouden voor voertuigen van hulpdiensten.

### MAATREGELEN BIJ HET UITBREKEN VAN BRAND EN BIJ ONGEVALLEN

- Als er geen gevaar is voor de eigen gezondheid de personen uit de gevarezone redden.
- Indien nodig eerstehulpmaatregelen verlenen.
- Brandweer en/of reddingsdienst waarschuwen.
- Bij het uitbreken van brand: als er geen gevaar is voor de eigen gezondheid het vuur bestrijden met blusmateriaal en doorgaan met de brandbestrijding tot de brandweer arriveert.
- Verantwoordelijke op de gebruikslocatie informeren.
- Toegangswegen vrijmaken voor voertuigen van hulpdiensten.
- Voertuigen van hulpdiensten instrueren.

## 2.7. MILIEUBESCHERMING



### AANWIJZING!

- **Gevaar voor het milieu door onjuist gebruik van milieugevaarlijke stoffen!**
- Bij verkeerde omgang met milieugevaarlijke stoffen, met name bij verkeerde recycling/afvalverwerking, kan ernstige schade aan het milieu ontstaan!
- De hierna genoemde aanwijzingen voor de omgang met milieugevaarlijke stoffen en de recycling/afvalverwerking ervan altijd in acht nemen!
- Als milieugevaarlijke stoffen onbedoeld in het milieu terechtkomen, onmiddellijk geschikte maatregelen treffen. Informeer in geval van twijfel de verantwoordelijke lokale autoriteit over de schade en vraag om passende maatregelen te nemen!

NL

## 2.8. GEVARENTEKENS



### WAARSCHUWING!

- **Gevaar bij onleesbare bewegwijzering!**
- In de loop van de tijd kunnen etiketten en borden vuil worden of op een andere manier onherkenbaar worden zodat gevaren niet kunnen worden herkend en noodzakelijke bedieningsinstructies niet kunnen worden opgevolgd. Daardoor bestaat letselgevaar.
- Alle veiligheids-, waarschuwings- en bedieningsinstructies altijd in goed leesbare toestand houden.
- Beschadigde borden of etiketten onmiddellijk vernieuwen.

### 2.8.1. GEBODSTEKENS

- Geen tekens

### 2.8.2. VERBODSTEKENS

- Geen tekens

### 2.8.3. WAARSCHUWINGSTEKENS



WAARSCHUWING VOOR  
GASFLESSEN



WAARSCHUWING VOOR  
EXPLOSIEVE ATMOSFEER

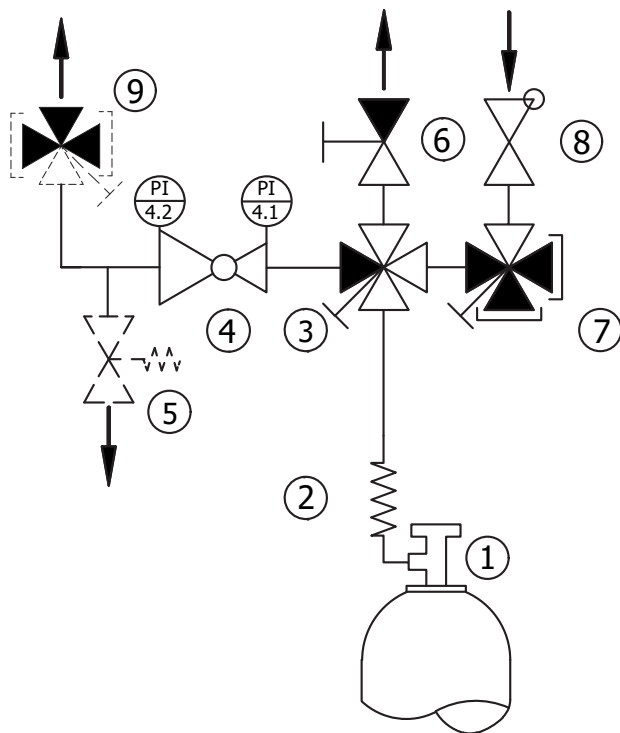


WAARSCHUWING VOOR  
GIFTIGE EN/ OF CORROSIEVE  
STOFFEN



### 3. TECHNISCHE GEGEVENS

#### 3.1. STROOMSCHEMA – S300/S200/S60

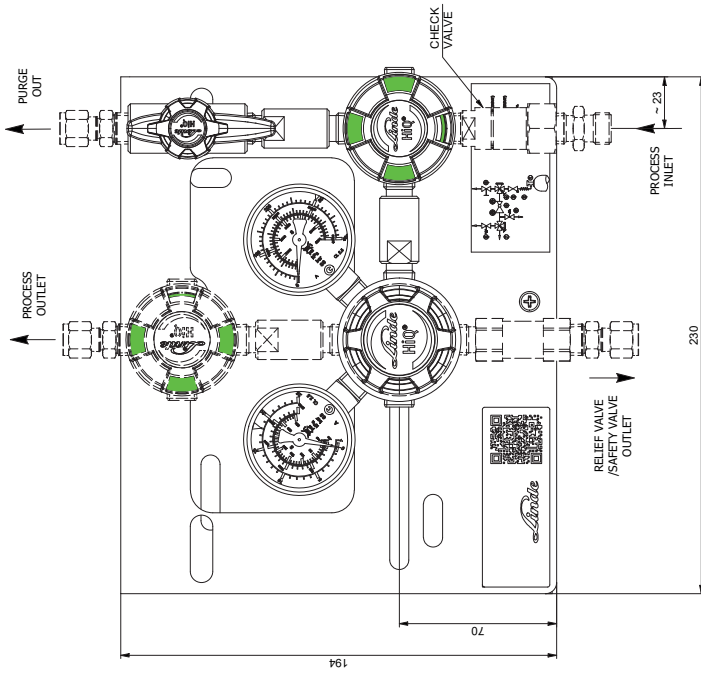
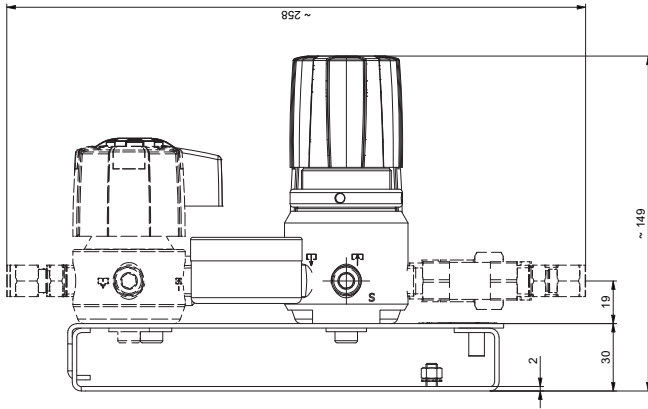


- 1 – GASFLES
- 2 – SPOEL
- 3 – AFSLUITKLEP (3XIN, 1XOUT)
- 4 – DRUKREGELAAR MET IN/UIT METER
- 5 – OVERDRUKVENTIEL / VEILIGHEIDSVENTIEL, (OPT.)
- 6 – ONTLUCHTINGSVENTIEL
- 7 – INLAATKLEP ONTLUCHTEN (1XIN, 3XUIT)
- 8 – TERUGSLAGKLEP
- 9 – AFSLUITER (1XIN, 3XUIT); (OPT.)

Opties afgebeeld als stippellijn

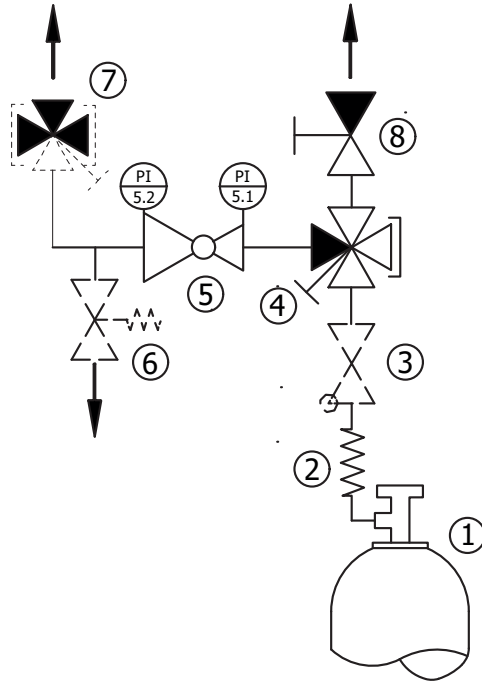
NL

### 3.2. MAATBLAD – S300/S200/S60



NL

### 3.3. STROOMSCHEMA – S203

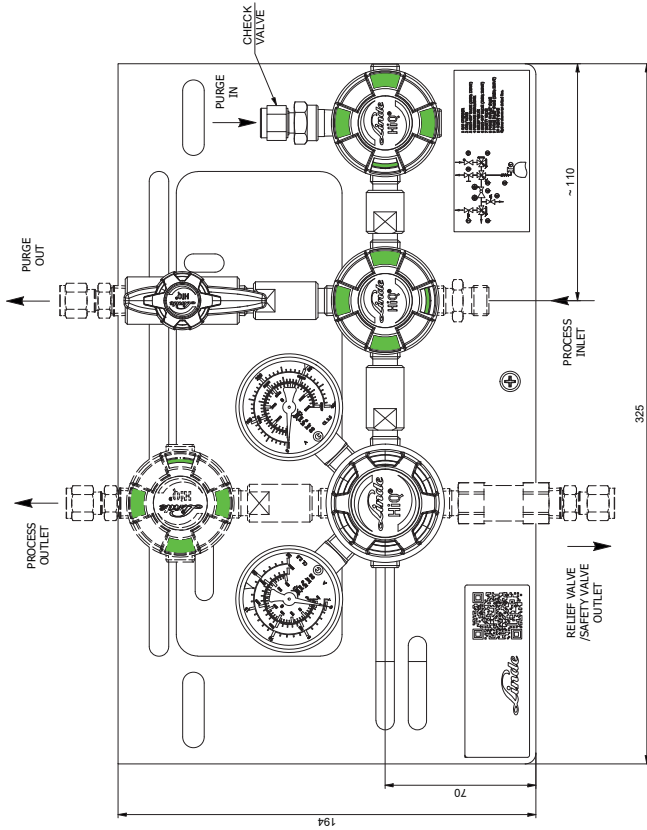
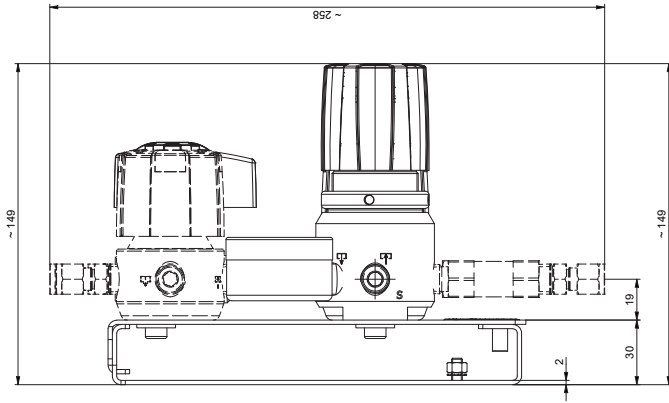


- 1 – GASFLES
- 2 – SPOEL
- 3 – TERUGSLAGKLEP (OPT.)
- 4 – AFSLUITKLEP (3XIN, 1XOUT)
- 5 – DRUKREGELAAR MET IN/UIT METER
- 6 – OVERDRUKVENTIEL / VEILIGHEIDSVENTIEL, (OPT.)
- 7 – AFSLUITER (1XIN, 3XOUT), (OPT.)
- 8 – ONTLUCHTINGSVENTIEL

Opties afgebeeld als stippellijn

NL

### 3.4. MAATBLAD – S203



NL

### 3.5. ALGEMENE INFORMATIE

Specificatie	S300/S200/S60-BC	S300/S200/S60-SS
Max.gewicht [kg]	5,25	8,57
Lengte [mm]	230	230
Breedte [mm]	150	150
Hoogte [mm]	194	194

Specificatie	S203-SS
Max.gewicht [kg]	6,97
Lengte [mm]	325
Breedte [mm]	150
Hoogte [mm]	194

### 3.6. AANSLUITINGSWAARDEN

Specificatie	Waarde	Toepassing
Ingang	NPT 1/4" vrouwelijk meerdere adapters beschikbaar	metrisch inch
Uitgang	1/8", 1/4", 3/8", 1/2" 3, 6, 8, 10, 12	Klemringen inch Klemringen mm
Afblaasklep / spoelklep indien aanwezig	1/4", 3/8", 1/2" 6, 8, 10, 12	Klemringen inch Klemringen mm
Veiligheidsklep	NPT 1/2" female	inch

NL

### 3.7. VERMOGENSWAARDEN

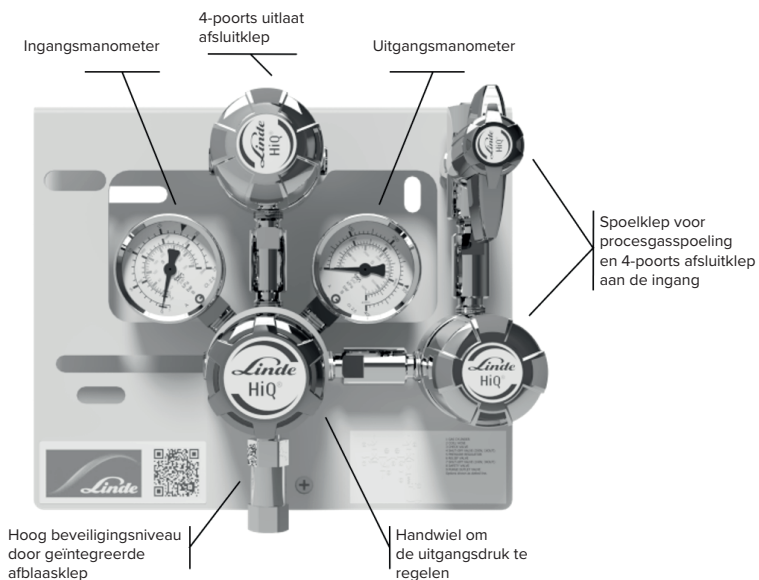
Specificatie	Waarde	Eenheid
Nominaal debiet	20 (perslucht)	m <sup>3</sup> /h
Ingangsdruk (max.)	S300: 300 S203: 200 S200: 200 S60: 60	bar
Uitgangsdruk (max.)	200	bar

### 3.8. BEDRIJFSOMSTANDIGHEDEN OMGEVING

Specificatie	Waarde	Eenheid
Temperatuurbereik	-20 tot +60	°C
Relatieve luchtvochtigheid (max.)	98	%

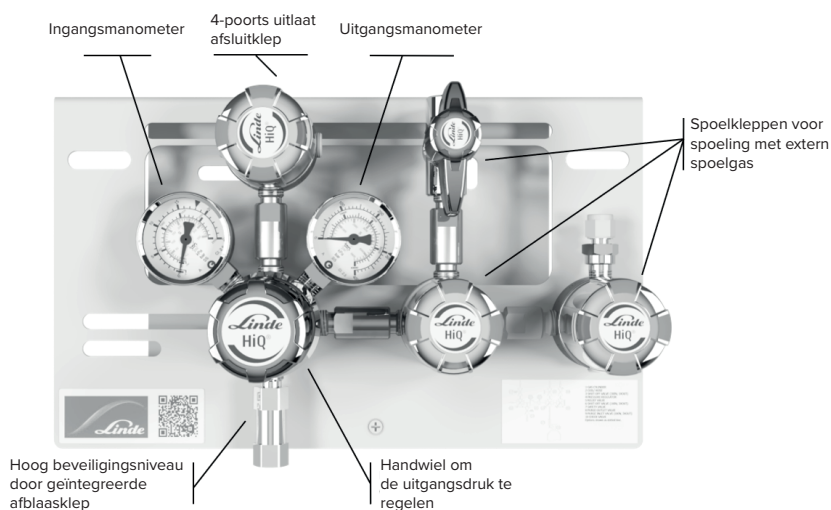
## 4. OPBOUW EN WERKING

### 4.1. OPBOUW – S300/S200/S60



NL

### 4.2. OPBOUW – S203



### 4.3. KORTE BESCHRIJVING

Door de drukregelstations van het type S300/S200/S60-BC... (materiaal: verchroomd messing) wordt een industrieel, niet giftig en niet bijtend gas of gasmengsel, opgeslagen in een drukgascontainer/drukgascontainerbundel onder overdruk, van een maximale druk van maximaal 300 bar tot een leidingdruk (6 bar, 10 bar, 14 bar, 28 bar, 50 bar, 100 bar, 200 bar) ontlast.

Door de drukregelstations van het type **S300/S200/S60/S203-SS...** (materiaal: roestvrij staal) worden ook giftig en bijtend gas of gasmengsel, opgeslagen in een drukgascontainer/drukgascontainerbundel onder overdruk, van een maximale druk van maximaal 300 bar tot een leidingdruk (3 bar, 6 bar, 10 bar, 14 bar, 28 bar, 50 bar, 100 bar, 200 bar) ontlast.

Een afblaasklep in de reduceerlep van het station beschermt het tegendrukgebied ervan tegen een ontoelaatbare drukverhoging als gevolg van een lekkage in de zitting van de reduceerlep.

Daarbij kunnen nog een veiligheidsklep en/of een terugslagklep worden gevoegd.

De werkelijke voor- en tegendruk bij de reduceerlep van het station wordt aangegeven door Bourdon-Buismanometers.

Het is mogelijk contactmanometers te gebruiken in zowel het voor- als tegendrukgebied van de reduceerlep.

Als het station een eigengasspoelsysteem heeft, kunnen de hogedrukgebieden van het station vrijgespoeld worden van eventuele vervuiling voordat het station in bedrijf wordt genomen.

Bovendien maakt dit systeem het mogelijk de hogedrukgebieden van het station te ontlasten voor de fleswissel.

Als het station een vreemdgasspoeling (S203) heeft, kunnen de hogedrukgebieden van het station vóór de inbedrijfstelling ervan worden gespoeld met een inert spoelgas en een veilige fleswissel en/of veilig onderhoud waarborgen.

De versie met vreemdgasspoeling is alleen verkrijgbaar in de roestvrij stalen uitvoering van het drukregelstation.

Alle hierboven beschreven systemen worden bevestigd op een gemeenschappelijke, roestvrij stalen console. Door de voldoende grote afmetingen van deze console zijn alle afzonderlijke componenten van het station voldoende beschermd tegen onopzettelijke beschadiging tijdens het vervoer in de verpakking en in gemonteerde toestand.

Het gedeelte ontwerp van de console maakt een eenvoudige, gewichtsbesparende bevestiging ervan mogelijk.

Een opening in de frontplaat van de console maakt de vervanging van manometers mogelijk zonder dat de console van het station en het daarmee verbonden voedingsstelsel dient te worden gedemonteerd.

Op de grondplaat bevindt zich aan weerszijden van het station een boorgat voor de bevestiging van flessaansluitingslangen via karabijnhaken.

De aansluiting van het station aan de lokale potentiaalvereffening kan gebeuren aan een met dat doel op de grondplaat van de console aangebrachte schroef.

De ontwikkeling, fabricage en productietests van bovengenoemde systemen gebeurde onder meer door de volgende normen in acht te nemen:

- reduceerlep - ISO 7291
- kleppen - ISO 10297
- manometer EN 837-1
- mechanische explosiebeveiliging van het volledige station - ISO80079-36; IEC 60079-32-1; TRGS 727

## 5. TRANSPORT, VERPAKKING EN OPSLAG



### TIPS EN AANBEVELINGEN!

- De installatie en eerste inbedrijfstelling gebeuren idealiter door medewerkers van de fabrikant of door de fabrikant gemachtigde personen.
- Desondanks kan het gebeuren dat operators of onderhoudsmedewerkers van de exploitant in het kader van de installatie en het verdere gebruik belast worden met de behandeling van pakketten. Het is van essentieel belang dat u daarbij de aanwijzingen in het volgende gedeelte in acht neemt.

## 5.1. VEILIGHEIDSAANWIJZINGEN VOOR HET TRANSPORT



### AANWIJZING!

- **Materiële schade door onoordeelkundig transport!**
- Bij onoordeelkundig transport kunnen transportstukken vallen of omvallen. Dit kan aanzienlijke materiële schade veroorzaken.
- Bij het lossen van transportstukken bij de levering en tijdens het interne transport voorzichtig te werk gaan en de symbolen en instructies op de verpakking in acht nemen.
- Alleen de daarvoor bestemde bevestigingspunten gebruiken.
- Verpakkingen pas vlak voor de montage verwijderen.

## 5.2. TRANSPORT INSPECTIE

De levering onmiddellijk na ontvangst op volledigheid en transportschade controleren. Bij uitwendig zichtbare transportschade als volgt te werk gaan:

- De levering niet of slechts onder voorbehoud aanvaarden.
- Omvang van de schade op de vervoerdocumenten of op de afleveringsbon van de vervoerder noteren.
- Klacht indienen



### TIPS EN AANBEVELINGEN!

- Over elk defect klacht indienen zodra het wordt ontdekt. Aanspraken op schadevergoeding kunnen alleen binnen de garantieperiode geldend worden gemaakt.

## 5.3. VERPAKKING

De afzonderlijke verpakkingen worden verpakt overeenkomstig de verwachte transportomstandigheden. Voor de verpakking worden uitsluitend milieuvriendelijke materialen gebruikt.

De verpakking moet de afzonderlijke componenten tot aan de montage beschermen tegen transportschade, corrosie en andere beschadigingen. Daarom de verpakking niet vernietigen en deze pas kort voor de montage verwijderen.

NL



### AANWIJZING!

- **Gevaar voor het milieu door verkeerde verwijdering!**
- Verpakkingsmaterialen zijn waardevolle grondstoffen en kunnen in veel gevallen worden hergebruikt of op verantwoorde wijze verwerkt en gerecycled worden. Door een verkeerde verwijdering van verpakkingsmaterialen kunnen gevaren voor het milieu ontstaan.
- Verpakkingsmaterialen milieuvriendelijk afvoeren.
- De plaatselijk geldende verwijderingsvoorschriften in acht nemen. Eventueel een gespecialiseerd bedrijf de opdracht geven voor de verwijdering.

## 5.4. OPSLAG

Pakketten opslaan onder de volgende voorwaarden:

- Niet buiten bewaren.
- Droog en stofvrij opslaan.
- Niet blootstellen aan agressieve media.
- Beschermen tegen zonlicht.
- Mechanische trillingen vermijden.
- Opslagtemperatuur: 15 tot 35 °C.
- Relatieve luchtvochtigheid: max. 60 %.
- Bij opslag langer dan 3 maanden regelmatig de algemene toestand van alle onderdelen en van de verpakking controleren. Indien nodig de conservering oprispen of vernieuwen.



### TIPS EN AANBEVELINGEN!

- Er kunnen opslaginstructies op de pakketten staan die verder gaan dan de hier vermelde vereisten. Neem deze dienovereenkomstig in acht.



## 6. INSTALLATIE EN EERSTE INGEBRUIKNAME

### 6.1. VEILIGHEIDSINSTRUCTIES VOOR DE INSTALLATIE EN EERSTE INBEDRIJFSTELLING

#### PERSONEEL

De installatie en eerste ingebruikname mag uitsluitend door gekwalificeerd personeel worden uitgevoerd.

### 6.2. VOORBEREIDINGEN

#### UITPAKKEN

- De componenten moeten voorzichtig en behoedzaam worden uitgepakt.
- Extra verpakkingsmaterialen ook verwijderen.
- Alle componenten onderzoeken op eventuele transportschade.

#### ONTLASTEN

- Ontlast de gasdruk eventueel in bestaande installaties, indien nodig spoelen met inert gas.
- Scheid de pijpleiding in eventueel bestaande installaties met speciaal gereedschap zodat spanen worden vermeden.
- Zorg ervoor dat de verbindingstukken in perfecte staat zijn en schoon zijn.

### 6.3. INSTALLATIE

Installatie en eerste inbedrijfstelling mogen alleen worden uitgevoerd door gekwalificeerd personeel.

De grondplaat van het drukregelstation is bevestigd op een montagehoogte van 164 cm.

De frontplaat met het drukregelstation wordt in de grondplaat ingehaakt en met de bijgeleverde schroef in het midden onderaan vastgezet.

De grondplaat dient te worden geaard via de voorziene schroef.

Het drukregelstation wordt meestal gemonteerd met knelkoppelingen aan de procesuitgang, afblaasklep, spoelgasgangen en spoelgasuitgang.

Indien aanwezig ook de veiligheids- en/of terugslagklep aansluiten.

Eerst worden de afsluitdoppen van de aansluitingen verwijderd.

Voer de montage uit door de pijpleiding volledig in de schroefverbinding te steken. Draai vervolgens de wartelmoer met de hand vast en draai hem vast met een vorkmoersleutel (1 ¼ slag) (eerste installatie 1 ¼ slag voor buisleidingen groter dan 1/8 inch en 3/4 slag voor buisleidingen van 1/8 inch of kleiner, herinstallatie 1/4 slag voor alle buisleidingen)

De afblaasleiding wordt op dezelfde manier aan de afblaasklep aangesloten. De uitlaatgas- en afblaasleiding mogen NIET worden samengevoegd en dienen zonder gevaar naar de open lucht te worden geleid. Indien aanwezig geldt dit ook voor de aansluiting van de leiding op de veiligheidsklep.

Om de gasflessen aan het drukregelstation aan te sluiten zijn er gestandaardiseerde aansluitingshelixen en aansluitlangen (beschikbare accessoires).

De aansluitingshelix/ de aansluitlang wordt altijd apart geleverd. De juiste toewijzing van de leiding/slang moet worden gecontroleerd. Het nummer van de flesaanluiting is op de aansluitmoer gegraveerd.

Er is telkens maar één versie van de aansluitingshelixen/aansluitlangen. Deze is geschikt voor de aansluiting aan de linker- en rechterzijde van het drukregelstation.

Om de aansluitingshelix/aansluitlang aan het drukregelstation te monteren, eerst de plastic dop van de aansluitingschroefdraad van de aansluitingshelix/de aansluitlang en van het drukregelstation verwijderen.

Zorg ervoor dat de vlakke afdichting die bij de aansluitingshelix/de aansluitlang wordt meegeleverd in de wartelmoer wordt geplaatst.

De wartelmoer vervolgens op de aansluitingschroefdraad aan de ingang van het drukregelstation met de hand opschroeven en daarna met een vorkmoersleutel vastdraaien.

Bij gebruik van een aansluitlang kan het veiligheidstouw met karabijnhaak onder in de grondplaat worden ingehaakt. Om de aansluitingshelix/de aansluitlang op de gasfles aan te sluiten, dienen de schroefdraad van de flesklep en de wartelmoer in perfecte staat te zijn.

Gebruik een nieuwe afdichting elke keer als u opnieuw aansluit. Er mogen alleen aansluitingshelixen en aansluitlangen van de fabrikant die overeenkomen met het gebruikte soort gas worden gebruikt.

Controleren of de vlakke afdichtingen goed in de aansluitingspijp van de aansluitingshelix of van de aansluitlang zitten. Bij het aandraaien geen sleutelverlengstuk gebruiken omdat anders de schroefdraad en afdichting worden vernield. Dit kan leiden tot een lekkage.

## 6.4. VOORWAARDE VOORWAARDEN VOOR EERSTE INBEDRIJFSTELLING

- De testrapporten van de leidingsystemen met betrekking tot de dichtheid, indien vereist ook vocht en deeltjes, zijn beschikbaar.
- De procesgasleidingen, de spoelgasleidingen en de afblaasleiding, evenals leidingen aan veiligheids- en/of terugslagkleppen - indien aanwezig - zijn aangesloten.
- In de procesgasleiding zit alleen standaard gas (zie punt 1.2).
- De inbedrijfstelling mag alleen worden uitgevoerd door geïnstrueerd en gekwalificeerd personeel.
- Beschermende kleding dient te worden gedragen in overeenstemming met de voorschriften.
- Voor de inbedrijfstelling dient een vonkvrij speciaal gereedschap te worden gebruikt en ter beschikking worden gesteld.
- Controleer vóór de eerste inbedrijfstelling aan de hand van het typeplaatje of het huidige drukregelstation geschikt is voor het beoogde gebruik (gas, druk, materiaal, enz.).

## 6.5. EERSTE INGEBRUIKNAME

- Aan alle voorwaarden is voldaan overeenkomstig punt 6.4
- Drukregelaar van het tweede drukniveau is ontspannen (gesloten)
- Alle kleppen die zich op het drukregelstation bevinden, zijn gesloten.



### WAARSCHUWING!

- Er dient absoluut op gelet te worden dat het drukregelstation niet onder een hogere druk komt dan de toegestane bedrijfsdruk.
- Voor de inbedrijfstelling controleren of niemand door het in bedrijf nemen van het drukapparaat in gevaar kan worden gebracht.

### 6.5.1. PROCESGASSPOELING (S300/S200/S60)

Drukregelstations met eigengasspoeling S300/S200/S60 worden gebruikt om de atmosferische lucht die tijdens de fleswissel in het systeem binnengedrongen is te kunnen verwijderen en de spiraalvormige leiding of de aansluitslang naar de fleswissel kan worden ontlast. Ervoor zorgen dat er een afblaasleiding is aangesloten.

1. Ventiel voor procesgaszuivering is gesloten, knevel staat dwars op de stroomrichting (2-poorts ventiel).
2. Drukregelaar is ontspannen (gesloten).
3. Sluit de inlaatafsluiter, rode markering is zichtbaar (4-poorts afsluiter).
4. Nu is de afsluitklep van de ingang in de richting van de reduceerklep afgesloten. De weg in de richting van de klep voor procesgasspoeling is vrij.
5. Flesklep langzaam openen
6. Procesgas stroomt in de aansluitingshelix/de aansluitslang.
7. Flesklep weer sluiten
8. Klep naar procesgasspoeling kort openen en de hoeveelheid gas die zich nu in de aansluitingshelix/de aansluitslang bevindt via de spoelgasleiding laten ontsnappen.
9. Daarna de klep voor procesgasspoeling onmiddellijk weer sluiten

*DE STAPPEN 4 – 9 TEN MINSTE 10 X HERHALEN*

### 6.5.2. VREEMDGASSPOELING (S203)

Drukregelstations S203 met vreemdgasspoeling worden gebruikt om giftig en/of bijtend gas te verwijderen voor de fleswissel en om de druk op de spiraalvormige leiding of de aansluitslang te ontlasten voor de fleswissel. Ervoor zorgen dat er een afblaasleiding is aangesloten.

1. Controleer of de spoelgasingang, de spoelgasuitgang, de procesgasingen, de afblaasleiding en eventueel de veiligheidsklep goed zijn aangesloten.
2. Alle kleppen sluiten, de rode markeringen moeten zichtbaar zijn (4-poorts).
3. Reduceerklep sluiten door te draaien aan het handwiel tegen de wijzers van de klok in.
4. Inlaatspoelklep openen.
5. Inlaatspoelklep weer sluiten. Laat het binnengestroomde gas enkele seconden in het onderdeel blijven zitten.
6. Uitgangspoelklep kort openen en spoelgas laten ontsnappen.
7. Uitgangspoelklep weer sluiten.

*DE STAPPEN 4 – 7 TEN MINSTE 10 X HERHALEN VOOR EEN PERFECT SPOELRESULTAAT*

### 6.5.3. VULLEN VAN DE PROCESGASLEIDING MET PROCESGAS

Vóór de inbedrijfstelling en het vullen van het nageschakelde leidingsysteem dient, afhankelijk van het drukregelstation, een eigengasspoeling (zie punt 6.5.1) of een vreemdgasspoeling (zie punt 6.5.2) te worden uitgevoerd. Om veiligheidsredenen raden wij aan in ieder geval een afblaasleiding te installeren.

1. Controleren of verbindingshelix/ aansluitslang, spoel-, proces-, veiligheids- en afblaasleiding goed zijn aangesloten.
2. Alle kleppen van het drukregelstation sluiten, rode markering zichtbaar (4-poorts).
3. Handwiel van de drukregelaar tegen de wijzers van de klok in tot aan de aanslag draaien – de doorgang is daardoor afgesloten.
4. Flesklep langzaam openen
5. Afsluitklep van de ingang **L A N G Z A A M** openen
6. Drukregelstation is nu in bedrijf.
7. Het wordt aangeraden het drukregelstation dagelijks te bekijken en de druk te controleren.

*HET WORDT AANGERADEN HET DRUKREGELSTATION DAGELIJKS TE BEKIJKEN EN DE DRUK TE CONTROLEREN.*

### 6.5.4. FLESWISSEL



#### OPMERKING!

- MAK-waarden in acht nemen (zie 'Technische regels voor gevaarlijke stoffen', TGRS 900)
  1. Flesklep aan de gasfles sluiten
  2. Afsluitklep aan de ingang aan de zijkant van de lege gasfles aansluiten.
  3. Klep naar eigengasspoeling/uitgangspoelklep openen om de aansluitingshelix of –slang te ontspannen.
  4. S300/S200/S60: eigengasspoeling uitvoeren (zie punt 6.5.1)  
S203: vreemdgasspoeling uitvoeren (zie punt 6.5.2)
  5. Afsluitklep aan de ingang aan de zijkant van de lege fles sluiten
  6. Aansluitingshelix/aansluitslang losmaken van de flesklep van de lege gasfles
  7. Nieuwe dienstgasfles aansluiten en daarvoor **ALTIJD** een nieuwe vlakke afdichting gebruiken

*VÓÓR HET OPNIEUW IN BEDRIJF STELLEN:*

8. S300/S200/S60: eigengasspoeling (6.5.1) uitvoeren  
AS203: vreemdgasspoeling (6.5.2) uitvoeren.
9. Aansluitingshelix/ aansluitslang met procesgas vullen.

### 6.5.5. BUITENBEDRIJFSTELLING VAN DE INSTALLATIE

Door het handwiel van de drukregelaar tegen de wijzers van de klok in te draaien het drukregelstation sluiten.

Het sluiten van de drukregelaar garandeert geen dichtheid. Er kan gaslekkage optreden via de slangen of de aangesloten verbruikers.

Serviceafsluitklep sluiten.

Uit veiligheidsoverwegingen ook altijd de flesklep sluiten.

*BIJ HET VOLLEDIG DEMONTEREN VAN HET DRUKREGELSTATION DIENT HET VOLGENDE IN ACHT TE WORDEN GENOMEN:*



#### GEVAAR

- Drukregelaars en leidingen drukloos zetten door het gas via de verbruiker te laten ontsnappen. De wijzers van de ingangs- en uitlaatdrukmeters dienen volledig op “0” te staan.
- Indien nodig eigengas- of vreemdgasspoeling uitvoeren.
- Passende persoonlijke beschermingsmaatregelen dienen te worden genomen.
- MAK-waarden in acht nemen.
- Er dient absoluut op gelet te worden dat het drukregelstation niet onder een hogere druk komt dan de toegestane bedrijfsdruk.
- Voor de inbedrijfstelling controleren of niemand door het in bedrijf nemen van het drukapparaat in gevaar kan worden gebracht.

## 6.6. CONTROLES

- Na het onder druk brengen de werking van de drukregelaar controleren.
- Dichtheid van de afblaasklep controleren. De klep dient luchtdicht te zijn.
- Dichtheid van alle kleppen controleren. De kleppen dienen luchtdicht te zijn.

## 7. WERKING

De werking van het drukregelstation voor standaard gaspen is gedefinieerd volgens hoofdstuk 2.1.



### VOORZICHTIG!

- Handkleppen moeten altijd langzaam en voorzichtig worden geopend om drukstoten in het systeem te voorkomen en andere onderdelen te beschermen.

## 8. ONDERHOUD

### 8.1. VEILIGHEIDSINSTRUCTIES VOOR HET ONDERHOUD



#### AANWIJZING!

- Onderhoudswerkzaamheden mogen alleen door gekwalificeerd, geschoold en geautoriseerd personeel worden uitgevoerd (zie hoofdstuk 2.4).

### 8.2. ONDERHOUDSSHEMA

In de hiernavolgende paragrafen worden de onderhoudswerkzaamheden beschreven die voor een optimale en storingsvrije werking van het apparaat noodzakelijk zijn.

Als uit regelmatige controles blijkt dat de slijtage toeneemt, verkort dan de vereiste onderhoudsintervallen overeenkomstig de werkelijke tekenen van slijtage.

NL



#### AANWIJZING!

- Voor vragen over onderhoudswerkzaamheden en onderhoudsintervallen kunt u contact opnemen met de klantendienst.

Interval	Onderhoudswerk	Personeel
Wekelijks	Alle componenten visueel controleren	Bevoegde persoon (TRBS 1203)
Eenmaal per jaar	Bedrijfstest op werking en dichtheid, test van alle veiligheidsrelevante onderdelen	Bevoegde persoon (TRBS 1203)
Om de 10 jaar	Algemene revisie en vervanging van alle slijtdelen	Bevoegde persoon (TRBS 1203)

### 8.3. ONDERHOUDSWERKZAAMHEDEN

#### 8.3.1. REINIGING



#### AANWIJZING!

- Reinigingsmiddelen moeten compatibel zijn met de materialen waarmee ze in contact komen.

### 8.3.2. VOORWAARDE VOOR ONDERHOUD

*VOOR HET BEGIN VAN HET ONDERHOUD DIENT GECONTROLEERD TE WORDEN OF*

- De gastoevoer onderbroken en veiliggesteld is.
- Het drukregelstation drukloos is.
- De drukregelaar ontspannen is.
- De klep gesloten is.
- Er zich geen procesgas meer in het systeem bevindt.
- Het systeem met een inert gas is vrijgespoeld.

### 8.3.3. NOODZAKELIJKE ONDERHOUDSBEURT

- Controle van de nauwkeurigheid van de weergavewaarde bij drukweergaven.
- Drukregelstation, drukregelaar, kleppen en drukweergaven: toestand controleren op functie toestand en etikettering.
- Controle van de etikettering.
- Controle op corrosie.
- Controle op functie.
- Lektest met 1-voudige werkdruk gedurende 12 uur uitvoeren.
- Versleten en defecte onderdelen moeten onmiddellijk worden vervangen. Deze werkzaamheden moeten altijd door een erkend vakbedrijf worden uitgevoerd.
- Het ontwerp van de kleppen gebeurde volgens ISO 10297. Dit omvat een typetest waarbij de klep aan een levensduurtest van maximaal 2000 cycli werd onderworpen. Na 2000 cycli moeten de interne onderdelen die in contact komen met het medium worden vervangen. Deze werkzaamheden moeten altijd aan een geautoriseerd vakbedrijf worden toevertrouwd.
- Indien lekkages of overmatige corrosie worden vastgesteld aan drukregelstations/drukregelaars of kleppen, moeten deze eveneens volledig worden vervangen tussen de eerstvolgende mogelijke loskoppelbare verbinding door een geautoriseerd vakbedrijf.
- Na de wissel van componenten of leidingstelsels moeten opnieuw druktets worden uitgevoerd en geregistreerd.

### 8.4. MAATREGELEN NA UITVOERING VAN HET ONDERHOUD

*NA BEËINDIGING VAN DE ONDERHOUDSWERKZAAMHEDEN EN VOOR DE NIEUWE INBEDRIJFNAME VAN HET DRUKREGELSTATION, DE DRUKREGELAAR OF DE KLEP DE VOLGENDE STAPPEN UITVOEREN:*

1. Ervoor zorgen dat alle gebruikte gereedschappen, materialen en andere uitrusting uit de werkruimte zijn verwijderd.
2. Werkgebied schoonmaken en eventueel gemorst materiaal zoals vloeistoffen, verwerkingsmateriaal of iets dergelijks verwijderen.
3. Ervoor zorgen dat alle veiligheidsvoorzieningen van het systeem foutloos werken!

NL

## 9. STORINGEN

Het volgende hoofdstuk beschrijft mogelijke oorzaken van storingen en de werkzaamheden die moeten worden verricht om deze te verhelpen. In geval van vaker optredende storingen moeten de onderhoudsintervallen overeenkomstig de werkelijke belasting worden verkort. Bij storingen die niet met de volgende aanwijzingen kunnen worden verholpen, contact opnemen met de fabrikant.

### 9.1. VEILIGHEIDSINSTRUCTIES VOOR DE PROBLEEMOPLOSSING

Bij storingen altijd de gastoevoer afsluiten, de drukregelaar ontlasten en de kleppen sluiten. In geen geval onderhoudswerkzaamheden uitvoeren aan onderdelen die onder druk staan.

*WAT TE DOEN BIJ STORINGEN:*

1. Gastoevoer onderbreken en veiligstellen.
2. Drukregelaar ontlasten, kleppen sluiten.
3. Uitsluitend gekwalificeerd personeel mag storingen verhelpen.
4. Het apparaat in de oorspronkelijke staat herstellen.

Beschrijving	Oorzaak	Oplossing	Kleppen	Fles- drukrege- laar	Leidings- drukrege- laar	Drukregel- stations
Geen doorstroming (ingangsdrukmeter geeft druk aan, uitgangsdrukmeter niet)	Drukregelaar gesloten	Drukregelaar langzaam openen Spoelklep sluiten		<input checked="" type="checkbox"/>	<input checked="" type="checkbox"/>	<input checked="" type="checkbox"/>
Geen doorstroming (beide drukmeters staan op nul)	Flesklep gesloten Servicegasklep gesloten Drukregelaar gesloten Helix / slang niet aangesloten	Inbedrijfstelling conform punt 6. Installeer en eerste ingebruikname		<input checked="" type="checkbox"/>	<input checked="" type="checkbox"/>	<input checked="" type="checkbox"/>
Geen doorstroming	Drukregelaar gesloten	Drukregelaar langzaam openen	<input checked="" type="checkbox"/>			
Tegendrukstijging en afblaasklep opent	Lekkage in de drukregelaarzitting	Reparatie door fabrikant		<input checked="" type="checkbox"/>	<input checked="" type="checkbox"/>	<input checked="" type="checkbox"/>
Lichte uitlaatdrukstijging en afblaasklep opent niet	Daling inlaatdruk	Geen fout, normale bedrijfstoestand		<input checked="" type="checkbox"/>	<input checked="" type="checkbox"/>	<input checked="" type="checkbox"/>
Lichte uitlaatdrukstijging	Verskil tussen stromingsdruk (met stroming) en stuwdruk (geen stroming)	Geen fout, normale bedrijfstoestand		<input checked="" type="checkbox"/>	<input checked="" type="checkbox"/>	<input checked="" type="checkbox"/>
Lichte uitlaatdruk daling	Verskil tussen stuwdruk (geen stroming) en stromingsdruk (met stroming)	Geen fout, normale bedrijfstoestand		<input checked="" type="checkbox"/>	<input checked="" type="checkbox"/>	<input checked="" type="checkbox"/>
Sterke uitlaatdruk daling	Vereiste stroming voor drukregelaar te groot	Selectie van een nieuwe drukregelaar voor de vereiste druk en stroming		<input checked="" type="checkbox"/>	<input checked="" type="checkbox"/>	<input checked="" type="checkbox"/>

Beschrijving	Oorzaak	Oplossing	Kleppen	Fles- drukrege- laar	Leidings- drukrege- laar	Drukregel- stations
Sterke uitlaat- drukdaling	Lekkende procesgaslei- ding	Proces- gasleiding controleren		<input checked="" type="checkbox"/>	<input checked="" type="checkbox"/>	<input checked="" type="checkbox"/>
Uitgangsdruk te hoog	Onjuiste instel- ling van de regelaar	Drukregelaar Instelling aan- passen, bijstel- len, onderhoud		<input checked="" type="checkbox"/>	<input checked="" type="checkbox"/>	<input checked="" type="checkbox"/>
Tegendruk stijgt onmid- dellijk tot aan de aanslag of tegendruk stijgt langzaam tot boven de ingestelde waarde en ontluchting	Vervuiling of beschadiging van de zitting "Stijger"	Reparatie door fabrikant		<input checked="" type="checkbox"/>	<input checked="" type="checkbox"/>	<input checked="" type="checkbox"/>
Geluiden tijdens het bedrijf	Vereiste stroming voor drukregelaar te hoog	Selectie van een nieuwe drukregelaar voor de ver- eiste druk en stroming		<input checked="" type="checkbox"/>	<input checked="" type="checkbox"/>	<input checked="" type="checkbox"/>
Geen veran- dering in de klepbediening ondanks het draaien aan het handwiel	Handwiel defect door te hoog draaimoment, spindel defect, schroefdraaf defect	Reparatie door fabrikant	<input checked="" type="checkbox"/>	<input checked="" type="checkbox"/>	<input checked="" type="checkbox"/>	<input checked="" type="checkbox"/>
Vocht op drukregelaar (GEEN dauw, regen of sneeuw)	Drukrege- laar onttrekt energie aan de omgeving door gasex- pansie	Geen fout, normale bedrijf- stoestand		<input checked="" type="checkbox"/>	<input checked="" type="checkbox"/>	<input checked="" type="checkbox"/>
IJsvorming op drukregelaar (GEEN dauw, regen of sneeuw)	Drukrege- laar onttrekt energie aan de omgev- ing door gasexpansie, beperkte levering- scapaciteit van de drukgas- containers, bijv. voor N <sub>2</sub> O, CO <sub>2</sub>	Geen fout, normale bedrijf- stoestand ATTENTIE: Op de werking van de con- tactdrukmeters letten, het aan- tal van de druk- gascontainers verhogen		<input checked="" type="checkbox"/>	<input checked="" type="checkbox"/>	<input checked="" type="checkbox"/>

NL

Deze tabel maakt geen aanspraak op volledigheid. Neem bij vragen of onduidelijkheden contact op met de fabrikant.

## 10. DEMONTAGE EN AFVOEREN

Wanneer het apparaat het einde van zijn gebruiksduur heeft bereikt, moet het worden ontmanteld en op een milieuvriendelijke manier worden verwijderd.

### 10.1. VEILIGHEIDSINSTRUCTIES VOOR DE DEMONTAGE EN VERWIJDERING



#### WAARSCHUWING!

- **Gevaar voor letsel bij ondeskundige demontage!**
- Opgeslagen restenergie, scherpe componenten, punten en hoeken aan en in het apparaat of op het benodigde gereedschap kunnen verwondingen veroorzaken
- Zorg ervoor dat er voldoende ruimte is voordat u met werkzaamheden begint.
- Voorzichtig omgaan met open componenten met scherpe randen.
- Letten op orde en netheid op de werkplaats!
- Losse onderdelen en gereedschappen die op elkaar liggen of rondslingeren zijn bronnen van ongelukken.
- Demonteer componenten op de juiste manier. Let op het gedeeltelijk hoge eigen gewicht van de onderdelen. Gebruik zo nodig hefwerktuigen.
- Onderdelen vastzetten zodat ze niet kunnen naar beneden vallen of omvallen.
- Bij onduidelijkheden de fabrikant raadplegen.

### 10.2. DEMONTAGE

#### VOOR HET BEGIN VAN DE DEMONTAGE

Drukregelaar tweede drukniveau van het drukregelstation sluiten door te draaien aan het handwiel tegen de wijzers van de klok in.

Drukregelaar van het drukregelstation drukloos zetten en ervoor zorgen dat er zich geen procesgas meer in het binnenste van het drukregelstation bevindt.

Systeem drukloos zetten en indien nodig spoelen met een inert gas.

De hogedrukzijde van het station ontlasten via de spoelgasklep.

Afhankelijk van de uitvoering een eigengas- of vreemdgasspoeling uitvoeren.

Bedrijfs- en hulpstoffen evenals resterende verwerkingsmaterialen en voer ze op een milieuvriendelijke manier af.

Vervolgens de onderdelen en componenten vakkundig reinigen en met inachtneming van geldende plaatselijke voorschriften inzake veiligheid en gezondheid op het werk en de milieubescherming ontmantelen.



#### WAARSCHUWING!

- **Systeem niet openen wanneer er zich nog giftig en/of corrosief gas in bevindt!**

### 10.3. VERWIJDERING

Als er geen terugname- of verwijderingsovereenkomst is gesloten, moeten de gedemonteerde onderdelen naar de recycling worden gebracht:

Metalen tot schroot verwerken.

Plastic elementen naar de recycling brengen.

Overige onderdelen verwijderen gesorteerd op materiaalsamenstelling.

Overeenkomstig artikel 33 van de REACH-verordening verbindt GCE, s.r.o. zich ertoe als verantwoordelijke fabrikant alle klanten te informeren indien de materialen 0,1% of meer van de zeer zorgwekkende stoffen (SVHC) op de lijst bevatten.

De meest gebruikte messinglegeringen voor korpus en andere messingonderdelen bevatten 2-3% lood (Pb), EG-nr. 231-468-6, CAS-nr. 7439-92-1. Bij normaal gebruik komt er geen lood vrij in het gas of het milieu. Aan het einde van de levensduur moet het product worden afgevoerd door een erkend metaalrecyclingbedrijf om een effectieve afvalverwerking van het materiaal te garanderen met zo min mogelijk gevolgen voor het milieu en de gezondheid.

Tot op heden hebben wij geen informatie die erop wijst dat materialen met SVHC-concentraties van meer dan 0,1% in GCE-producten voorkomen.





#### AANWIJZING!

- ***Gevaar voor het milieu door verkeerde verwijdering!***
- Door een verkeerde verwijdering kunnen gevaren voor het milieu ontstaan.
- Elektronisch afval, elektronische onderdelen, smeermiddelen en andere hulpstoffen laten afvoeren door erkende gespecialiseerd bedrijven.
- In geval van twijfel over milieuvriendelijke verwijdering informatie vragen bij de lokale autoriteit of gespecialiseerde afvalverwerkingsbedrijven.

NL

[www.linde.com](http://www.linde.com)

Deze artikelen werden geproduceerd in opdracht van Linde.

# SPIS TREŚCI

<b>1. INFORMACJE OGÓLNE .....</b>	<b>222</b>
1.1. INFORMACJE DOTYCZĄCE NINIEJSZEJ INSTRUKCJI.....	222
1.2. INFORMACJE DOTYCZĄCE STACJI ROZPRĘŻANIA GAZU .....	222
1.2.1. S300/S200/S60.....	223
1.2.2. S203 .....	223
1.3. OBJAŚNIENIE SYMBOLI.....	223
1.4. OGRANICZENIE ODPOWIEDZIALNOŚCI.....	224
1.5. PRAWA AUTORSKIE.....	224
1.6. CZĘŚCI ZAMIENNE.....	225
1.7. WARUNKI GWARANCJI.....	225
1.8. OBSŁUGA KLIENTA.....	225
<b>2. BEZPIECZEŃSTWO.....</b>	<b>225</b>
2.1. ZASTOSOWANIE ZGODNIE Z PRZEZNACZENIEM.....	225
2.1.1. ZMIANY KONSTRUKCYJNE STACJI ROZPRĘŻANA GAZU .....	225
2.2. PODSTAWOWE ZAGROŻENIA .....	226
2.3. ODPOWIEDZIALNOŚĆ UŻYTKOWNIKA .....	227
2.4. WYMAGANIA DOTYCZĄCE PERSONELU .....	228
2.4.1. KWALIFIKACJE .....	228
2.4.2. OSOBY NIEUPOWAŻNIONE .....	228
2.4.3. SZKOLENIA .....	228
2.5. ŚRODKI OCHRONY OSOBISTEJ.....	229
2.6. ZACHOWANIE W PRZYPADKU POŻARU I WYPADKÓW.....	230
2.7. OCHRONA ŚRODOWISKA.....	230
2.8. OZNAKOWANIE.....	230
2.8.1. ZNAKI NAKAZU.....	230
2.8.2. ZNAKI ZAKAZU.....	230
2.8.3. ZNAKI OSTRZEGAWCZE.....	230
<b>3. DANE TECHNICZNE .....</b>	<b>231</b>
3.1. SCHEMAT ORUROWANIA I OPRZYRĄDOWANIA – S300/S200/S60.....	231
3.2. ARKUSZ WYMIAROWY – S300/S200/S60.....	232
3.3. SCHEMAT ORUROWANIA I OPRZYRĄDOWANIA – S203 .....	233
3.4. ARKUSZ WYMIAROWY – S203.....	234
3.5. INFORMACJE OGÓLNE .....	235
3.6. WARTOŚCI PRZYŁĄCZENIOWE.....	235
3.7. WARTOŚCI WYDajNOŚCI .....	235
3.8. WARUNKI PRACY - OTOCZENIE.....	235
<b>4. KONSTRUKCJA I DZIAŁANIE .....</b>	<b>236</b>
4.1. KONSTRUKCJA – S300/S200/S60 .....	236
4.2. KONSTRUKCJA – S203.....	236
4.3. SKRÓCONY OPIS .....	236
<b>5. TRANSPORT, PAKOWANIE I PRZECHOWYWANIE .....</b>	<b>237</b>
5.1. WSKAZÓWKI BEZPIECZEŃSTWA DOTYCZĄCE TRANSPORTU .....	237
5.2. KONTROLA TRANSPORTU .....	237
5.3. OPAKOWANIA.....	238
5.4. PRZECHOWYWANIE .....	238
<b>6. MONTAŻ I PIERWSZE URUCHOMIENIE .....</b>	<b>238</b>
6.1. WSKAZÓWKI BEZPIECZEŃSTWA DOTYCZĄCE MONTAŻU I PIERWSZEGO URUCHOMIENIA .....	238
6.2. CZYNNOŚCI PRZYGOTOWAWCZE.....	238
6.3. MONTAŻ.....	239
6.4. WYMAGANIA DOTYCZĄCE PIERWSZEGO URUCHOMIENIA.....	239
6.5. PIERWSZE URUCHOMIENIE.....	239
6.5.1. CZYSZCZENIE GAZEM TECHNOLOGICZNYM (S300/S200/S60) .....	240
6.5.2. CZYSZCZENIE GAZEM OBCYM (A209).....	240
6.5.3. NAPEŁNIANIE RUROCIĄGU GAZU TECHNOLOGICZNEGO GAZEM TECHNOLOGICZNYM .....	241
6.5.4. WYMIANA BUTLI.....	241
6.5.5. WYŁĄCZENIE INSTALACJI Z EKSPLOATACJI.....	241
6.6. KONTROLE.....	242

<b>7. PRACA URZĄDZENIA .....</b>	<b>242</b>
<b>8. KONSERWACJA.....</b>	<b>242</b>
8.1. WSKAZÓWKI BEZPIECZEŃSTWA DOTYCZĄCE KONSERWACJI .....	242
8.2. PLAN KONSERWACJI.....	242
8.3. PRACE KONSERWACYJNE .....	243
8.3.1. CZYSZCZENIE .....	243
8.3.2. WARUNKI WSTĘPNE DOTYCZĄCE KONSERWACJI .....	243
8.3.3. NIEZBĘDNY SERWIS KONSERWACYJNY .....	243
8.4. DZIAŁANIA PO KONSERWACJI.....	243
<b>9. USTERKI.....</b>	<b>243</b>
9.1. WSKAZÓWKI BEZPIECZEŃSTWA DOTYCZĄCE USUWANIA USTEREK.....	243
<b>10. DEMONTAŻ I UTYLIZACJA .....</b>	<b>246</b>
10.1. WSKAZÓWKI BEZPIECZEŃSTWA DOTYCZĄCE DEMONTAŻU I UTYLIZACJI .....	246
10.2. DEMONTAŻ.....	246
10.3. UTYLIZACJA .....	247

## 1. INFORMACJE OGÓLNE

### 1.1. INFORMACJE DOTYCZĄCE NINIEJSZEJ INSTRUKCJI

Niniejsza instrukcja dotyczy stacji rozprężania gazu typu:

- S300
- S203
- S200
- S60

Te stacje rozprężania gazu są używane do pobierania gazu ze zbiorników z gazem pod ciśnieniem i do rozprężania. Stacje rozprężania gazu są stałe mocowane do ściany i połączone ze zbiornikiem z gazem pod ciśnieniem za pomocą rury spiralnej lub węża karbowanego. Niniejsza instrukcja umożliwia bezpieczne i skuteczne użytkowanie urządzenia. Instrukcja jest integralną częścią urządzenia, musi być przechowywana w bezpośrednim sąsiedztwie urządzenia i zawsze dostępna dla personelu. Przed rozpoczęciem prac personel musi dokładnie przeczytać i zrozumieć niniejszą instrukcję. Podstawowym warunkiem bezpiecznej pracy jest przestrzeganie wszystkich wytycznych dotyczących bezpieczeństwa oraz wytycznych postępowania podanych w niniejszej instrukcji. Ponadto obowiązują lokalne przepisy dotyczące zapobiegania wypadkom oraz ogólne przepisy bezpieczeństwa obowiązujące w miejscu użytkowania urządzenia. Ilustracje w niniejszej instrukcji służą podstawowemu zrozumieniu urządzenia i mogą różnić się od rzeczywistej konstrukcji.

### 1.2. INFORMACJE DOTYCZĄCE STACJI ROZPRĘŻANIA GAZU

Stacje rozprężania gazu tego typu mogą być stosowane wyłącznie z gazami określonymi jako gaz standardowy. Maksymalne ciśnienie robocze dla tych stacji rozprężania gazu wynosi 300 bar. Jednostopniowe stacje rozprężania gazu składają się z zaworów i regulatorów ciśnienia z metalowymi membranami. Wyprodukowane i dopuszczone zgodnie z normą ISO10297, w tym także w ramach próby wypalania tlenem.

Seria produktów	(Czystość 6.0   chromowany mosiądz)	(Czystość 6.0   stal nierdzewna)
z uszczelką <b>FKM</b> w gnieździe zaworu upustowego	<ul style="list-style-type: none"> <li>• Gazy dozwolone do stosowania (w tym ich mieszaniny):               <ul style="list-style-type: none"> <li>• Wysoka czystość</li> <li>• Obojętne</li> <li>• Łatwopalne</li> <li>• Podtrzymujące palenie</li> <li>• O<sub>2</sub></li> </ul> </li> <li>• Gazy <b>NIEDOZWOLONE</b> do stosowania (włącznie z ich mieszaninami):               <ul style="list-style-type: none"> <li>• Żrące</li> <li>• Toksyczne</li> <li>• CO<sub>2</sub>, N<sub>2</sub>O</li> </ul> </li> </ul>	<ul style="list-style-type: none"> <li>• Gazy dozwolone do stosowania (w tym ich mieszaniny):               <ul style="list-style-type: none"> <li>• Wysoka czystość</li> <li>• Obojętne</li> <li>• Łatwopalne</li> <li>• O<sub>2</sub> do 200 bar</li> <li>• Żrące</li> </ul> </li> <li>(W razie wątpliwości prosimy o konsultację z naszą firmą)               <ul style="list-style-type: none"> <li>• Toksyczne</li> </ul> </li> <li>(W razie wątpliwości prosimy o konsultację z naszą firmą)               <ul style="list-style-type: none"> <li>• Gazy <b>NIEDOZWOLONE</b> do stosowania (włącznie z ich mieszaninami):                   <ul style="list-style-type: none"> <li>• O<sub>2</sub> powyżej 200 bar</li> <li>• CO<sub>2</sub>, N<sub>2</sub>O</li> <li>• NH<sub>3</sub>, SO<sub>2</sub>, H<sub>2</sub>S</li> </ul> </li> </ul> </li> </ul>

<p>Z gniazdem z <b>EPDM</b> zaworu upustowego</p>	<ul style="list-style-type: none"> <li>• Gazy dozwolone do stosowania (w tym ich mieszaniny): <ul style="list-style-type: none"> <li>• Wysoka czystość</li> <li>• Obojętne</li> <li>• Łatwopalne</li> <li>• Podtrzymujące palenie</li> <li>• CO<sub>2</sub>, N<sub>2</sub>O</li> </ul> </li> <li>• Gazy NIEDOZWOLONE do stosowania (włącznie z ich mieszaninami): <ul style="list-style-type: none"> <li>• Żrące</li> <li>• Toksyczne</li> <li>• O<sub>2</sub> (Udział powyżej 21%)</li> <li>• Węglowodory</li> </ul> </li> </ul>	<ul style="list-style-type: none"> <li>• Gazy dozwolone do stosowania (w tym ich mieszaniny): <ul style="list-style-type: none"> <li>• Wysoka czystość</li> <li>• Obojętne</li> <li>• Łatwopalne</li> <li>• Podtrzymujące palenie</li> <li>• Żrące</li> </ul> </li> <li>(W razie wątpliwości prosimy o konsultację z naszą firmą)</li> <li>• Toksyczne</li> <li>(W razie wątpliwości prosimy o konsultację z naszą firmą)</li> <li>• CO<sub>2</sub>, N<sub>2</sub>O</li> <li>• NH<sub>3</sub>, SO<sub>2</sub>, H<sub>2</sub>S</li> <li>• Gazy NIEDOZWOLONE do stosowania (włącznie z ich mieszaninami): <ul style="list-style-type: none"> <li>• O<sub>2</sub> (Udział powyżej 21%)</li> <li>• Węglowodory</li> </ul> </li> </ul>
---------------------------------------------------	-----------------------------------------------------------------------------------------------------------------------------------------------------------------------------------------------------------------------------------------------------------------------------------------------------------------------------------------------------------------------------------------------------------------------------------------------------------------------------------------------------------------------------------	-----------------------------------------------------------------------------------------------------------------------------------------------------------------------------------------------------------------------------------------------------------------------------------------------------------------------------------------------------------------------------------------------------------------------------------------------------------------------------------------------------------------------------------------------------------------------------------------------------------------------------------------------------------------------------------------------------------------------------------

Powyższa tabela nie wyczerpuje wszystkich możliwości. W przypadku pytań i niejasności prosimy o kontakt z producentem.

### 1.2.1. S300/S200/S60

Ta stacja rozprężania gazu jest dostępna w wersji z mosiądzu chromowanego i ze stali nierdzewnej. Stacja składa się z następujących komponentów:

- Regulator ciśnienia z manometrem wlotowym i wylotowym
- Zawór płuczący do oczyszczania gazów procesowych i 4-drogowy zawór odcinający na wlocie
- Zawór upustowy
- Płyta czołowa i płyta podstawowa

#### ELEMENTY DODATKOWE

- S: zawór bezpieczeństwa na wylocie
- C: zawory zwrotne na wlotach
- U: zawór bezpieczeństwa na wylocie i zawory zwrotne na wlotach

### 1.2.2. S203

Ta stacja rozprężania gazu jest dostępna tylko w wersji ze stali nierdzewnej. Stacja składa się z następujących komponentów:

- Regulator ciśnienia z manometrami ciśnienia wlotowego i wylotowego
- Dwa 4-drogowe zawory płuczące i jeden 2-drogowy zawór do płukania gazem obojętnym na każdym wlocie
- Zawór upustowy
- Płyta czołowa i płyta podstawowa

#### ELEMENTY DODATKOWE

- S: zawór bezpieczeństwa na wylocie

## 1.3. OBJAŚNIENIE SYMBOLI

### WYTYCZNE DOTYCZĄCE BEZPIECZEŃSTWA

W niniejszej instrukcji wytyczne dotyczące bezpieczeństwa zostały oznaczone odpowiednimi symbolami. Instrukcje bezpieczeństwa są wprowadzane przez słowa sygnalizacyjne, które wyrażają stopień zagrożenia.



#### NIEBEZPIECZEŃSTWO!

To połączenie symbolu i słowa sygnalizacyjnego wskazuje na bezpośrednio niebezpieczną sytuację, która, jeżeli się wydarzy, spowoduje śmierć lub ciężkie obrażenia.



#### OSTRZEŻENIE!

To połączenie symbolu i słowa sygnalizacyjnego wskazuje na potencjalnie niebezpieczną sytuację, która, jeżeli się wydarzy, może prowadzić do śmierci lub ciężkich obrażeń.



#### UWAGA!

To połączenie symbolu i słowa sygnalizacyjnego wskazuje na potencjalnie niebezpieczną sytuację, która, jeżeli się wydarzy, może prowadzić do szkód rzeczowych lub lekkich obrażeń.



#### WSKAZÓWKA!

To połączenie symbolu i słowa sygnalizacyjnego wskazuje na potencjalnie niebezpieczną sytuację, która, jeżeli się wydarzy, może prowadzić do szkód rzeczowych bądź szkód środowiskowych.



#### WSKAZÓWKI I ZALECENIA

Ten symbol wskazuje na przydatne wskazówki i zalecenia, jak również informacje umożliwiające wydajną i bezproblemową pracę.

---

### UWAGI SPECJALNE

W wytycznych dotyczących bezpieczeństwa zastosowano poniższe symbole, które mają zwracać uwagę na szczególne zagrożenia.



#### NIEBEZPIECZEŃSTWO!

To połączenie symbolu i słowa sygnalizacyjnego wskazuje na sytuację bezpośrednio niebezpieczną powstającą na skutek działania prądu elektrycznego. Nieprzestrzeganie tak oznaczonej wskazówki może spowodować ciężkie lub śmiertelne obrażenia.

---

## 1.4. OGRANICZENIE ODPOWIEDZIALNOŚCI

Wszystkie informacje i wskazówki zawarte w niniejszej instrukcji zostały opracowane z uwzględnieniem obowiązujących norm i przepisów, stanu techniki oraz naszej wieloletniej wiedzy i doświadczenia.

W następujących przypadkach producent nie ponosi odpowiedzialności za powstałe szkody:

- Nieprzestrzeganie niniejszej instrukcji
- Zastosowanie inne niż zastosowanie zgodne z przeznaczeniem
- Powierzenie prac nieprzeszkolonemu personelowi
- Niedozwolone zmiany techniczne i konstrukcyjne
- Stosowanie niezatwierdzonych części zamiennych
- Eksploatacja urządzenia ciśnieniowego z uszkodzonymi instalacjami bezpieczeństwa lub z instalacjami bezpieczeństwa, które są zamontowane w sposób uniemożliwiający ich działanie bądź które nie działają
- Niewłaściwa kontrola urządzeń oraz elementów złącznych i uszczelniających narażonych na zużycie
- Nieprawidłowo wykonane naprawy
- Przekroczenie lub spadek poniżej zakresu temperatur określonego w arkuszu danych podczas pracy lub przechowywania urządzenia
- Katastrofy spowodowane działaniem ciał obcych i siły wyższej

W przypadku wersji specjalnych urządzeń, w przypadku skorzystania z opcji dodatkowych bądź ze względu na najnowsze zmiany techniczne rzeczywisty zakres dostawy może odbiegać od opisanych tu objaśnień i przedstawionych ilustracji. Obowiązują zobowiązania uzgodnione w umowie dostawy, ogólne warunki handlowe i warunki dostawy producenta oraz przepisy ustawowe obowiązujące w momencie zawarcia umowy.

## 1.5. PRAWA AUTORSKIE

Treść niniejszej instrukcji jest chroniona prawem autorskim. Korzystanie z tych praw jest dozwolone w zakresie użytkowania urządzenia. Każde wykorzystanie, wykraczające poza powyższy zakres, jest zabronione bez pisemnej zgody producenta.

## 1.6. CZĘŚCI ZAMIENNE



### OSTRZEŻENIE!

- Niebezpieczeństwo obrażeń spowodowanych użyciem niewłaściwych części zamiennych!
- Użycie nieprawidłowych lub wadliwych części zamiennych może powodować zagrożenie dla personelu, jak również uszkodzenia, wadliwe działanie lub całkowitą awarię.
- Należy stosować wyłącznie oryginalne części zamienne producenta lub części zamienne autoryzowane przez producenta.
- W razie wątpliwości należy zawsze kontaktować się z producentem.



### UTRATA GWARANCJI!

- Użycie niezatwierdzonych części zamiennych spowoduje utratę gwarancji producenta.

## 1.7. WARUNKI GWARANCJI

Zasadniczo obowiązują nasze "Ogólne warunki sprzedaży i dostawy".

Te warunki są udostępniane klientom najpóźniej w momencie zawarcia umowy.

## 1.8. OBSŁUGA KLIENTA

Zawsze interesują nas informacje i doświadczenia, które wynikają z zastosowania naszych urządzeń i które mogą być cenne dla ulepszenia naszych produktów.

# 2. BEZPIECZEŃSTWO

Ten rozdział zawiera przegląd wszystkich ważnych aspektów bezpieczeństwa dotyczących ochrony osób oraz bezpiecznej i bezawaryjnej pracy. Dalsze informacje na temat bezpieczeństwa związane z wykonywanymi zadaniami znajdują się w rozdziałach dotyczących poszczególnych faz życia urządzenia.

## 2.1. ZASTOSOWANIE ZGODNIE Z PRZEZNACZENIEM

Stacje rozprężania gazu mogą być używane tylko do podanych gazów i ciśnień oraz przy zachowaniu podanych temperatur. Nominalne natężenie przepływu wynosi 20 m<sup>3</sup>/h (sprężone powietrze). Użytkowanie zgodne z przeznaczeniem obejmuje również przestrzeganie wszystkich informacji i wskazówek zawartych w niniejszej instrukcji oraz przestrzeganie czynności kontrolnych i konserwacyjnych, jak również przestrzeganie informacji podanych na tabliczce znamionowej i kartach katalogowych. Każde użytkowanie wykraczające poza użytkowanie zgodne z przeznaczeniem oraz jakiegokolwiek inne użytkowanie urządzenia jest uważane za użytkowanie niezgodne z przeznaczeniem.

PL



### OSTRZEŻENIE!

- **Zagrożenie w przypadku użytkowania niezgodnego z przeznaczeniem!**
- Użytkowanie niezgodne z przeznaczeniem może prowadzić do niebezpiecznych sytuacji.
- Nigdy nie używać stacji rozprężania gazu do cieczy.
- Nigdy nie podłączaj źródeł o wyższym ciśnieniu wejściowym niż przeznaczone dla odpowiedniego panelu sterowania ciśnieniem.

### 2.1.1. ZMIANY KONSTRUKCYJNE STACJI ROZPRĘŻANA GAZU

Bez pisemnej zgody producenta nie wolno dokonywać żadnych zmian, uzupełnień ani modyfikacji stacji rozprężania gazu.

Stacje rozprężania gazu, które nie są w idealnym stanie, muszą być natychmiast wymienione.

Czyszczenie urządzeń gazowych i usuwanie pozostałości

Zużyte zawory odcinające oczekujące na naprawę należy przepłukać gazem obojętnym (azotem).

Wytwarzanie hałasu

W niektórych przypadkach niekorzystna interakcja niektórych zmiennych, takich jak natężenie przepływu i zakres ciśnienia, ale także sam rodzaj gazu, może prowadzić do powstawania odgłosów. W takich sytuacjach prosimy o kontakt z producentem.

## 2.2. PODSTAWOWE ZAGROŻENIA

W poniższym rozdziale opisano ryzyka resztkowe, które mogą występować podczas eksploatacji urządzenia, nawet wtedy, gdy jest ono użytkowane zgodnie z przeznaczeniem. Aby zmniejszyć ryzyko obrażeń osób i szkód materialnych oraz aby uniknąć niebezpiecznych sytuacji, należy przestrzegać podanych wytycznych dotyczących bezpieczeństwa oraz wytycznych dotyczących bezpieczeństwa zawartych w innych rozdziałach niniejszej instrukcji.



### NIEBEZPIECZEŃSTWO!

- **Gazy mogą zagrażać życiu!**
- Gazy mogą wypierać powietrze, a tym samym zawarty w nim tlen. Może to prowadzić do śmierci przez uduszenie. Tlen tworzy atmosferę o wysokim stopniu utlenienia. Gazy palne mogą tworzyć wybuchową atmosferę.

*DLATEGO:*

- Należy zawsze zapewnić właściwą wentylację!
- Montaż należy zlecać tylko certyfikowanej firmie specjalistycznej!
- Należy przestrzegać dyrektyw ATEX.



### UWAGA!

- **Zagrożenia, które mogą wynikać przez wpływ otoczenia!**  
Kondensacja i/lub oblodzenie mogą być przyczyną usterek urządzenia.

*DLATEGO:*

- Należy przestrzegać zakresów temperatur!
- Należy chronić urządzenie przed zewnętrznymi cieczami o płynami!
- Należy chronić urządzenie przed kurzem i pyłem z otoczenia!
- Urządzenie należy montować w sposób chroniący je przed wpływem warunków atmosferycznych!
- Należy prawidłowo zamocować istniejące uziemienie!



### OSTRZEŻENIE!

- **Zagrożenie wypadkami podczas używania oleju i smaru!**  
Z założenia oleje i smary nie mogą być stosowane w układach regulacji ciśnienia. Oleje i smary są wysoce łatwopalne i gwałtownie reagują z niektórymi sprężonymi gazami.

*DLATEGO:*

- W żadnym wypadku nie należy używać oleju ani smaru!



### OSTRZEŻENIE!

- **Zagrożenie wypadkami z powodu energii zgromadzonej w układzie!**  
Niewłaściwa obsługa rządu może spowodować niekontrolowane ruchy elementów znajdujących się pod ciśnieniem lub ich części, a w efekcie spowodować poważne lub nawet śmiertelne obrażenia. Nieprawidłowa obsługa może spowodować wydostanie się gazu z części znajdujących się pod ciśnieniem i doprowadzić do ciężkich lub nawet śmiertelnych obrażeń.

*PRZED ROZPOCZĘCIEM JAKICHKOLWIEK PRAC PRZY ELEMENTACH POD CIŚNIENIEM:*

- Montaż należy zlecać tylko certyfikowanej firmie specjalistycznej!
- Należy nosić okulary ochronne!
- Należy stosować ochronę słuchu!
- Należy upewnić się, że instalacja nie jest pod ciśnieniem!
- Należy upewnić się, że w układzie nie ma zgromadzonej energii!
- Należy zapewnić, że gaz nie będzie się ulatniał w sposób niezamierzony!
- Należy zapewnić, że uszkodzone części zostaną niezwłocznie wymienione przez przeszkolony personel!





## OSTRZEŻENIE!

- **Niebezpieczeństwo wypadku!**

Nieprawidłowy montaż może spowodować poważne, a nawet śmiertelne obrażenia.

### *DLATEGO:*

- Podczas montażu należy zabezpieczyć urządzenia przed spadaniem!
- Nie wolno rzucać urządzeniami!

Części znajdujące się pod ciśnieniem mogą być używane wyłącznie zgodnie z przeznaczeniem.

W przypadku uszkodzeń mechanicznych rurociągów i armatury należy doprowadzić układ do stanu bezpiecznego (należy zablokować obszar na którym występują takie uszkodzenia). Usterki zagrażające bezpieczeństwu powinny być niezwłocznie usuwane przez przeszkolony i wykwalifikowany personel lub przez producenta.

Szczególnie w przypadku gazów istnieje ryzyko uszkodzenia regulatora ciśnienia zamontowanego w rurociągu. Wskaźnikiem takich usterek jest brak przepływu gazu za regulatorem ciśnienia lub nagły wzrost ciśnienia wyjściowego. W przypadku uszkodzenia regulatora ciśnienia należy natychmiast wyłączyć układ z eksploatacji. W takiej sytuacji należy koniecznie poinformować firmę odpowiedzialną za konserwację układu. Nigdy nie zamykać przewodów przedmuchiowych.

## 2.3. ODPOWIEDZIALNOŚĆ UŻYTKOWNIKA

### *UŻYTKOWNIK*

Użytkownikiem jest osoba, która eksploatuje urządzenie w celach komercyjnych lub gospodarczych lub która udostępniła je osobom trzecim do użytku/zastosowania i która podczas eksploatacji ponosi prawną odpowiedzialność produktową ochroną użytkownika, personelu lub osób trzecich.

### *OBOWIĄZKI UŻYTKOWNIKA*

Urządzenie jest stosowane w sektorze komercyjnym. Dłatego użytkownik urządzenia podlega zatem prawnym obowiązkom w zakresie bezpieczeństwa pracy.

Oprócz wytycznych dotyczących bezpieczeństwa zawartych w niniejszej instrukcji obsługi należy przestrzegać przepisów bezpieczeństwa, zapobiegania wypadkom i ochrony środowiska obowiązujących w miejscu użytkowania urządzenia.

### *ZASTOSOWANIE MAJĄ W SZCZEGÓLNOŚCI NASTĘPUJĄCE WYTYCZNE:*

- Użytkownik musi zapoznać się z obowiązującymi przepisami BHP oraz przygotować ocenę ryzyka, która ustali zagrożenia wynikające ze szczególnych warunków pracy w miejscu użytkowania urządzenia. Ocena ryzyka musi zostać przygotowana w formie instrukcji użytkowania urządzenia.
- Przez cały okres użytkowania urządzenia użytkownik musi sprawdzać, czy sporządzona przez niego instrukcja użytkowania odpowiada aktualnemu stanowi przepisów i w razie potrzeby odpowiednio zmienić tę instrukcję aby była zgodna ze zmienionymi przepisami.
- Użytkownik musi jasno ustalić i określić zakres odpowiedzialności za montaż, obsługę, usuwanie usterek, konserwację i czyszczenie urządzenia.
- Użytkownik musi zapewnić, że wszystkie osoby pracujące z urządzeniem przeczytają i zrozumieją niniejszą instrukcję. Ponadto, musi on regularnie szkolić personel i informować go o niebezpieczeństwach.
- Użytkownik musi zapewnić personelowi wymagane wyposażenie ochronne i wydać wiążące polecenia dotyczące noszenia wymaganego wyposażenia ochronnego.

Ponadto do obowiązków operatora należy zapewnienie przez cały czas pełnej technicznej niezawodności systemu.

### *W ZWIĄZKU Z TYM STOSUJE SIĘ NASTĘPUJĄCE ZASADY:*

- Operator musi zapewnić przestrzeganie okresów konserwacji określonych w niniejszej instrukcji.
- Operator musi zapewnić, że wszystkie urządzenia bezpieczeństwa są regularnie sprawdzane pod względem niezawodności działania i kompletności.

## 2.4. WYMAGANIA DOTYCZĄCE PERSONELU

### 2.4.1. KWALIFIKACJE

W niniejszej instrukcji zostały opisane różne zadania, które wymagają różnych kwalifikacji od osób, którym powierzono te zadania.



#### OSTRZEŻENIE!

- **Niebezpieczeństwo w przypadku niewystarczających kwalifikacji osób wykonujących zadania!**
- Osoby o niewystarczających kwalifikacjach nie są w stanie ocenić ryzyka związanego z obsługą urządzenia i narażają siebie i innych na ryzyko poważnych lub śmiertelnych obrażeń.
- Wszystkie prace mogą być wykonywane wyłącznie przez wykwalifikowane osoby!
- Nie wolno zlecać jakichkolwiek zadań osobom nieposiadającym odpowiednich kwalifikacji!

Wszystkie prace mogą być wykonywane wyłącznie przez osoby, od których można oczekiwać, że wykonają je w sposób niezawodny i skuteczny. Osoby, na których reakcje wpływają np. narkotyki, alkohol lub leki, nie mogą wykonywać żadnych czynności przy urządzeniu.

W niniejszej instrukcji podano poniżej kwalifikacje wymagane dla osób wykonujących poszczególne zadania:

#### *INŻYNIER DS. TECHNOLOGII GAZOWEJ*

Posiada specjalistyczne wykształcenie, umiejętności, doświadczenie i wiedzę na temat odpowiednich norm i wytycznych, które umożliwiają mu podejmowanie prac przy systemach kontroli ciśnienia i rozpoznawanie potencjalnych zagrożeń. Inżynierowie ds. technologii gazowej są specjalnie szkoleni pod kątem danego zakładu produkcyjnego i jego specyficznych standardów i wytycznych.

#### *TECHNIK*

Posiada specjalistyczne wykształcenie, umiejętności i doświadczenie w zakresie odpowiednich norm i wytycznych, które umożliwiają mu wykonywanie prac przy systemach kontroli ciśnienia i rozpoznawanie potencjalnych zagrożeń.

### 2.4.2. OSOBY NIEUPOWAŻNIONE



#### OSTRZEŻENIE!

- **Zagrożenie życia dla osób nieupoważnionych z powodu zagrożeń występujących w na obszarze niebezpiecznym i obszarze pracy!**
- Osoby nieupoważnione, które nie spełniają wymagań opisanych w niniejszej instrukcji, nie znają zagrożeń występujących na obszarze roboczym. W związku z tym osoby nieupoważnione są narażone na ciężkie lub śmiertelne zagrożenia.
- Osoby nieupoważnione nie mogą zbliżyć się do obszaru niebezpiecznego i do obszaru pracy!
- W razie wątpliwości należy zwrócić się do takich osób i wyprowadzić je z obszaru zagrożenia i pracy!
- W przypadku, gdy na obszarze zagrożenia i pracy znajdują się osoby nieupoważnione należy natychmiast przerwać pracę!

### 2.4.3. SZKOLENIA

Użytkownik musi regularnie szkolić personel. Dla celów poprawnej weryfikacji przeprowadzanych szkoleń należy z każdego szkolenia sporządzać protokół, który będzie zawierał co najmniej następujące elementy:

- Datę szkolenia
- Nazwisko osoby, która została przeszkolona
- Treści szkolenia
- Nazwisko osoby prowadzącej szkolenie
- Podpisy uczestnika szkolenia i osoby prowadzącej szkolenie

## 2.5. ŚRODKI OCHRONY OSOBISTEJ

Środki ochrony osobistej są używane do ochrony ludzi przed niekorzystnymi wpływami na bezpieczeństwo i zdrowie podczas pracy.

Podczas wykonywania różnych czynności przy urządzeniu personel musi stosować środki ochrony osobistej, które zostały wymienione w poszczególnych rozdziałach niniejszej instrukcji.



### APARAT ODDECHOWY, ZALEŻNY OD POWIETRZA W OTOCZENIU

Ochrona przed szkodliwymi gazami, oparami, pyłami i podobnymi substancjami. Sprzęty ochrony dróg oddechowych, takie jak aparat oddechowy na sprężone powietrze, muszą być stosowane zawsze wtedy, gdy nie można zagwarantować, że zawartość tlenu w otoczeniu będzie wynosiła powyżej 17% i/lub nie można wykluczyć przekroczenia dopuszczalnych granic substancji szkodliwych w powietrzu w otoczeniu. Aparat oddechowy niezależny od powietrza w otoczeniu może być noszony tylko przez specjalnie przeszkolony personel.



### APARAT ODDECHOWY, ZALEŻNY OD POWIETRZA W OTOCZENIU

Ochrona przed szkodliwymi gazami, oparami, pyłami i podobnymi substancjami. Aparaty oddechowe zależne od powietrza w otoczeniu muszą być stosowane w przypadku, gdy nie można wykluczyć przekroczenia dopuszczalnych wartości granicznych substancji szkodliwych w otaczającym powietrzu. Aparaty oddechowe zależne od powietrza w otoczeniu mogą być używane tylko wtedy, gdy jest zagwarantowane, że zawartość tlenu we wdychanym powietrzu wynosi powyżej 17%.



### OKULARY OCHRONNE

Ochrona przed latającymi cząsteczkami i kroplami.



### RĘKAWICE OCHRONNE ODPORNE NA SUBSTANCJE CHEMICZNE

Ochrona rąk przed agresywnymi substancjami. Zawsze należy zapewnić, że rękawice będą szczelne. Po użyciu rękawice należy prawidłowo zutylizować.



### RĘKAWICE OCHRONNE

Ochrona rąk przed czynnikami mechanicznymi oraz gorącymi i zimnymi powierzchniami.



### OCHRONA SŁUCHU

Chroni słuch przed zbyt głośnymi dźwiękami i zapobiega urazom akustycznym.

## 2.6. ZACHOWANIE W PRZYPADKU POŻARU I WYPADKÓW

### ŚRODKI ZAPOBIEGAWCZE

- Zawsze należy być przygotowanym na pożar i wypadki!
- Sprzęt pierwszej pomocy (apteczka, koce itp.) i sprzęt gaśniczy muszą być sprawne i zawsze dostępne.
- Personel musi znać zasady i sprzęt do zgłaszania wypadków, udzielania pierwszej pomocy i ratownictwa.
- Drogi dojazdowe dla pojazdów służb ratowniczych muszą być wolne.

### DZIAŁANIA W PRZYPADKU WYBUCHU POŻARU I WYPADKÓW

- Jeżeli nie występuje zagrożenie dla własnego zdrowia, wtedy należy ratować osoby znajdujące się na obszarze zagrożenia.
- W razie potrzeby należy rozpocząć udzielanie pierwszej pomocy.
- Należy zgłosić wypadek do straży pożarnej i/lub służb ratowniczych.
- W przypadku wybuchu pożaru: Jeżeli nie ma zagrożenia dla własnego zdrowia, należy gasić pożar używając sprzętu gaśniczego i kontynuować gaszenie do momentu przybycia straży pożarnej.
- Zgłosić wybuch pożaru osobie odpowiedzialnej w miejscu użytkowania urządzenia.
- Uwolnić drogi dojazdowe dla pojazdów ratowniczych.
- Pokierować pojazdy ratownicze do miejsca wypadku.

## 2.7. OCHRONA ŚRODOWISKA



### INFORMACJA!

- **Nieprawidłowa praca z substancjami niebezpiecznymi dla środowiska powoduje zagrożenie dla środowiska!**
- W przypadku nieprawidłowej pracy z substancjami niebezpiecznymi dla środowiska, w szczególności w przypadku nieprawidłowej utylizacji tych substancji, mogą powstać poważne szkody dla środowiska.
- Należy zawsze przestrzegać poniższych wytycznych dotyczących substancji niebezpiecznych dla środowiska i ich utylizacji!
- W przypadku niezamierzonego uwolnienia substancji niebezpiecznych do środowiska, należy natychmiast podjąć odpowiednie środki zaradcze.
- W razie wątpliwości należy poinformować o szkodzie odpowiednie władze lokalne i poprosić o podjęcie odpowiednich działań!

## 2.8. OZNAKOWANIE

PL



### OSTRZEŻENIE!

- **Niebezpieczeństwo w przypadku nieczytelnego oznakowania!**
- Z biegiem czasu naklejki i znaki mogą ulec zabrudzeniu lub w inny sposób stać się nierozpoznawalne.
- W efekcie nie można rozpoznać zagrożeń i nie można przestrzegać niezbędnych wytycznych dotyczących obsługi urządzenia.
- Taka sytuacja stwarza ryzyko obrażeń.
- Wszystkie informacje dotyczące bezpieczeństwa, ostrzeżeń i obsługi muszą być zawsze czytelne. Uszkodzone znaki lub naklejki należy natychmiast wymienić.

### 2.8.1. ZNAKI NAKAZU

- Brak znaków nakazu

### 2.8.2. ZNAKI ZAKAZU

- Brak znaków nakazu

### 2.8.3. ZNAKI OSTRZEGAWCZE



OSTRZEŻENIE PRZED BUTLAMI  
GAZOWYMI



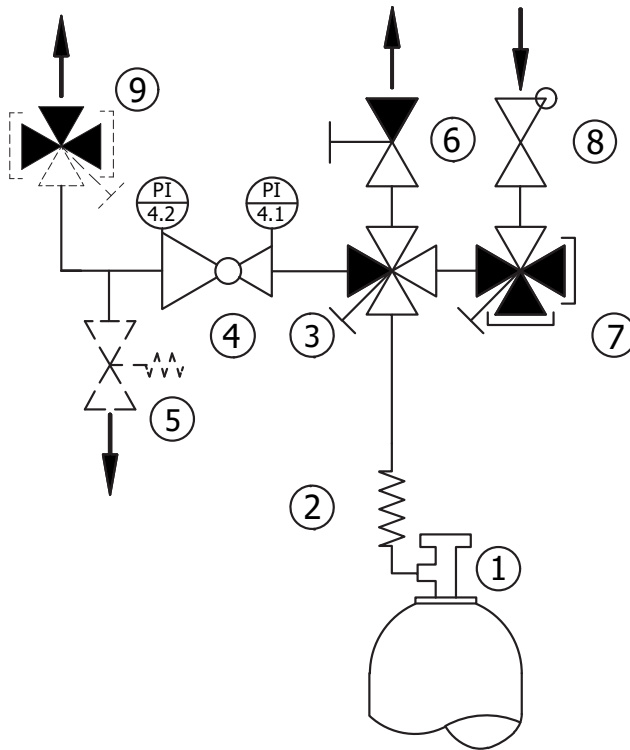
OSTRZEŻENIE PRZED  
ATMOSFERĄ WYBUCHOWĄ



OSTRZEŻENIE PRZED  
SUBSTANCJAMI TOKSYCZNYMI  
I/ LUB ŻRĄCYMI

### 3. DANE TECHNICZNE

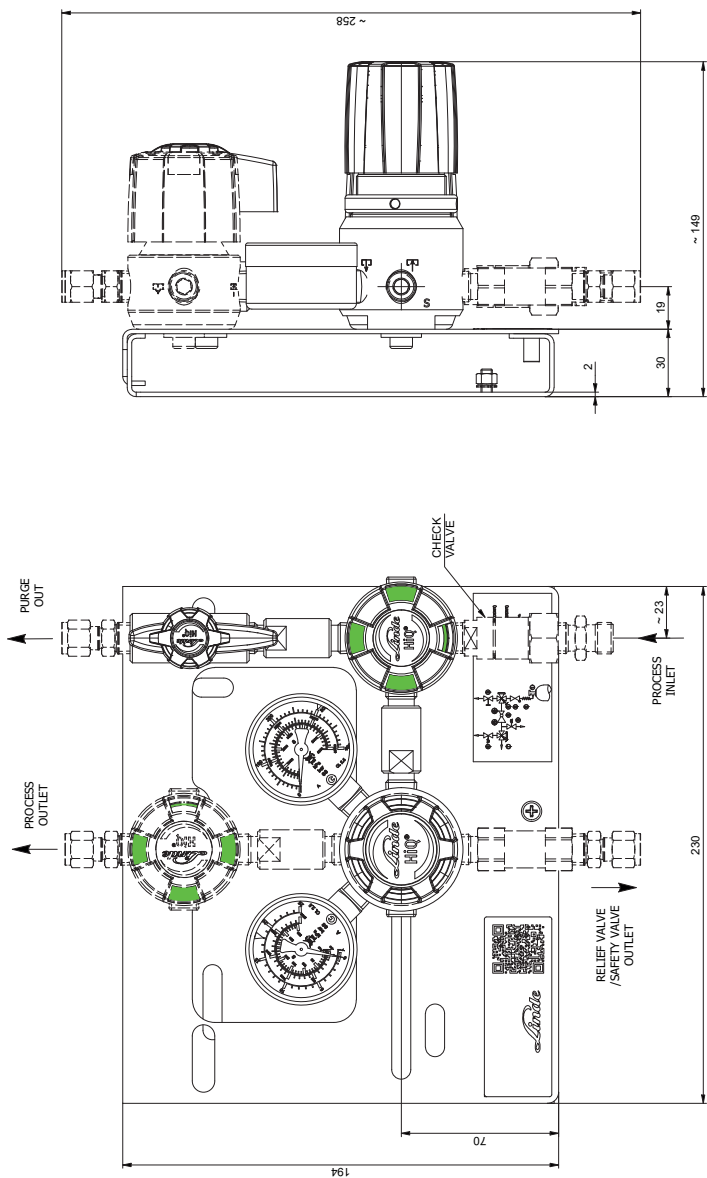
#### 3.1. SCHEMAT ORUROWANIA I OPRZYRZĄDOWANIA – S300/S200/S60



- 1 – BUTLA GAZOWA
- 2 – CEWKA
- 3 – ZAWÓR ODCINAJĄCY (3XIN, 1XOUT)
- 4 – REGULATOR CIŚNIENIA Z MANOMETREM WEJ/WYJ
- 5 – ZAWÓR NADMIAROWY / ZAWÓR BEZPIECZEŃSTWA (OPT.)
- 6 – ZAWÓR WYLOTOWY PRZEDMUCHU
- 7 – ZAWÓR PRZEDMUCHOWYV (1XIN, 3XOUT)
- 8 – ZAWÓR ZWROTNY
- 9 – ZAWÓR ODCINAJĄCY (1XIN, 3XOUT); (OPT.)

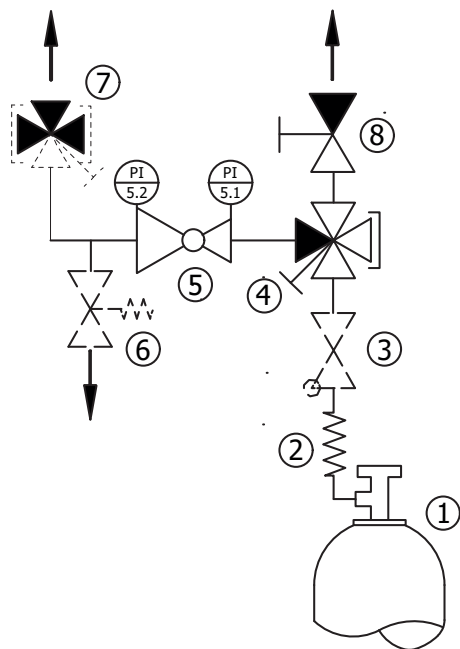
Opcje zostały zaznaczone linią przerywaną

### 3.2. ARKUSZ WYMIAROWY – S300/S200/S60



PL

### 3.3. SCHEMAT ORUROWANIA I OPRZYRZĄDOWANIA – S203

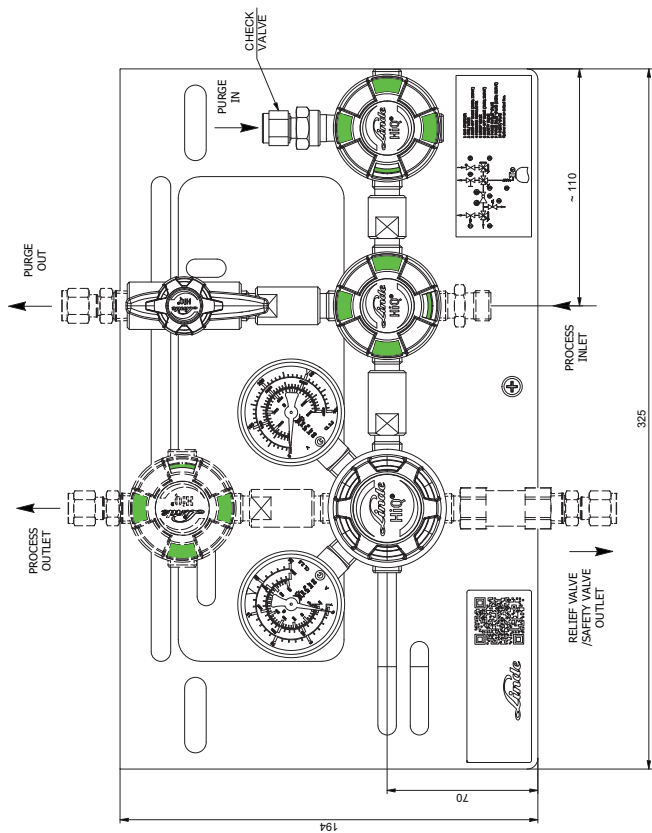
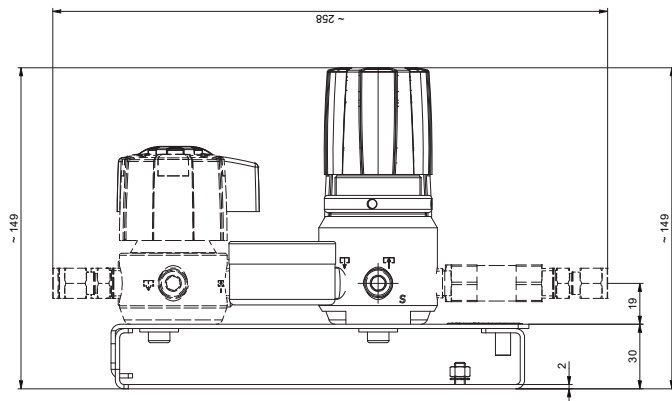


- 1 – BUTLA GAZOWA
- 2 – CEWKA
- 3 – ZAWÓR ZWROTNY (OPT.)
- 4 – ZAWÓR ODCINAJĄCY (3XIN, 1XOUT)
- 5 – REGULATOR CIŚNIENIA Z MANOMETREM WEJŚCIA/WYJŚCIA
- 6 – ZAWÓR NADMIAROWY / ZAWÓR BEZPIECZEŃSTWA (OPT.)
- 7 – ZAWÓR ODCINAJĄCY (1XIN, 3XOUT), (OPT.)
- 8 – ZAWÓR WYLOTOWY PRZEDMUCHU

Opcje zostały zaznaczone linią przerywaną

PL

### 3.4. ARKUSZ WYMIAROWY – S203



PL



### 3.5. INFORMACJE OGÓLNE

Dane	S300/S200/S60-BC	S300/S200/S60-SS
Maks. ciężar [kg]	5,25	8,57
Długość [mm]	230	230
Szerokość [mm]	150	150
Wysokość [mm]	194	194

Dane	S203-SS
Maks. ciężar [kg]	6,97
Długość [mm]	325
Szerokość [mm]	150
Wysokość [mm]	194

### 3.6. WARTOŚCI PRZYŁĄCZENIOWE

Dane	Wartość	Jednostka
Włot	NPT 1/4" żeńskie dostępnych jest kilka adapterów	metryczny calowy
Wylot	1/8", 1/4", 3/8", 1/2" 3, 6, 8, 10, 12	Pierścienie zaciskowe, cale Pierścienie zaciskowe, mm
Zawór upustowy / zawór płuczący jeżeli występuje	1/4", 3/8", 1/2" 6, 8, 10, 12	Pierścienie zaciskowe, cale Pierścienie zaciskowe, mm
Zawór bezpieczeństwa	NPT 1/2" żeński	calowy

PL

### 3.7. WARTOŚCI WYDajNOŚCI

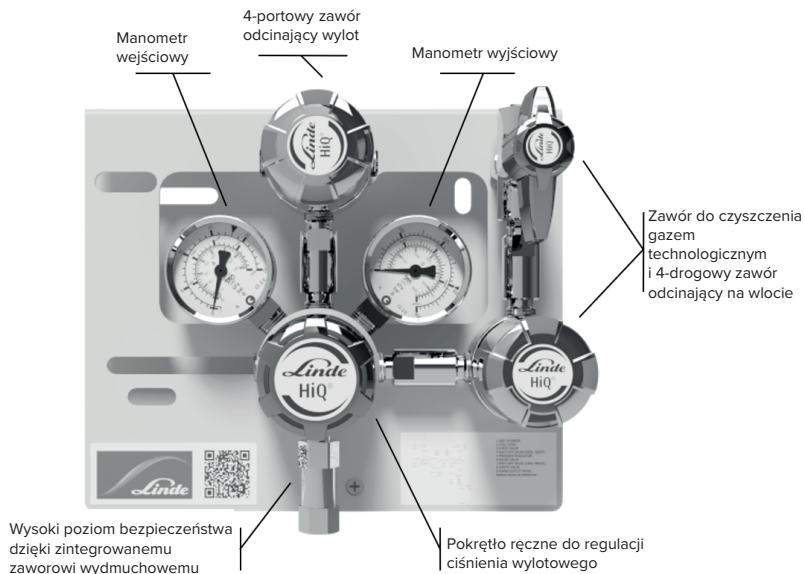
Dane	Wartość	Jednostka
Nominalne natężenie przepływu	20 (sprężone powietrze)	m <sup>3</sup> /h
Ciśnienie wlotowe (maks.)	S300: 300 S203: 200 S200: 200 S60: 60	bar
Ciśnienie wylotowe (maks.)	200	bar

### 3.8. WARUNKI PRACY - OTOCZENIE

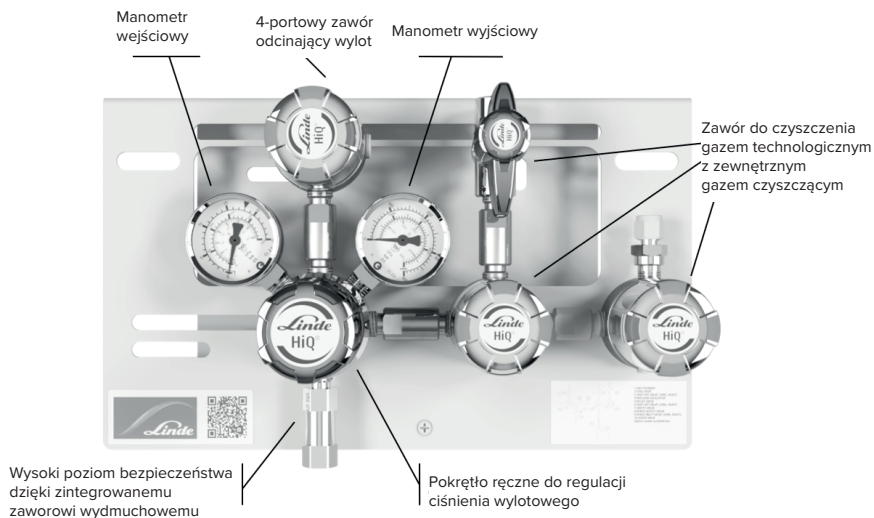
Dane	Wartość	Jednostka
Zakres temperatur	-20 till +60	°C
Wilgotność względna (maks.)	98	%

## 4. KONSTRUKCJA I DZIAŁANIE

### 4.1. KONSTRUKCJA – S300/S200/S60



### 4.2. KONSTRUKCJA – S203



### 4.3. SKRÓCONY OPIS

W stacjach rozprężania gazu typu S300/S200/S60-BC...(materiał: mosiądz chromowany) jest rozprężany przemysłowy, nietoksyczny i niekorozyjny gaz lub mieszanina gazów, która jest przechowywana w zbiorniku ciśnieniowym / kilku zbiornikach ciśnieniowych pod nadciśnieniem, z ciśnienia maksymalnego do 300 bar do ciśnienia w rurociągu (3 bary, 6 barów, 10 barów, 14 barów, 28 barów, 50 barów, 100 barów, 200 barów).

W stacjach rozprężania gazu typu **S300/S200/S60-SS, S203-SS...** (materiał: stal nierdzewna) jest także rozprężany toksyczny i korozyjny gaz lub mieszanina gazów, która jest przechowywana w zbiorniku ciśnieniowym / kilku zbiornikach ciśnieniowych pod nadciśnieniem, z ciśnienia maksymalnego do 300 bar do ciśnienia w rurociągu (3 bary, 6 barów, 10 barów, 14 barów, 28 barów, 50 barów, 100 barów, 200 barów).

Zawór upustowy w reduktorze ciśnienia stacji zabezpiecza jej dolny zakres ciśnień przed niedopuszczalnym wzrostem ciśnienia na skutek nieszczelności gniazda reduktora ciśnienia. Dodatkowymi opcjami są zawór bezpieczeństwa i/lub zawór zwrotny.

Rzeczywiste ciśnienie wejściowe i wyjściowe na reduktorze ciśnienia stacji jest wskazywane przez manometr z rurką Bourdona. Manometry kontaktowe mogą być stosowane zarówno w zakresie ciśnienia wejściowego i wyjściowego reduktora ciśnienia.

Jeśli stacja posiada własny system oczyszczania gazów, obszary ciśnienia wyjściowego w stacji mogą zostać oczyszczone z wszelkich zanieczyszczeń przed jej uruchomieniem. Ponadto ten system umożliwił odciążenie obszarów wysokiego ciśnienia na stacji przed wymianą butli.

Jeżeli stacja wyposażona jest w zewnętrzny system przedmuchiwania gazem (S203), obszary wysokiego ciśnienia w stacji mogą być przed uruchomieniem oczyszczone obojętnym gazem przedmuchiującym. Takie rozwiązanie zapewnia bezpieczną wymianę butli i/lub bezpieczną konserwację. Wersja z zewnętrznym systemem oczyszczania gazem jest dostępna tylko w wersji ze stali nierdzewnej stacji rozprężania gazu.

Wszystkie opisane powyżej systemy są montowane na wspólnej ramie ze stali nierdzewnej. Odpowiednio duże wymiary tej ramy zapewniają, że wszystkie poszczególne elementy stacji są odpowiednio chronione przed przypadkowym uszkodzeniem podczas transportu i dostarczane w opakowaniu w stanie zmontowanym. Dzielona konstrukcja ramy umożliwiła łatwe mocowanie. Otwór w panelu przednim konsoli umożliwił wymianę manometrów bez konieczności demontażu ramy ze stacji i związanej z tym demontażu z układu zasilania. Na płycie podstawy, po każdej stronie stacji znajduje się otwór do mocowania węży przyłączeniowych butli z karabińczykami. Stacja może zostać podłączona do lokalnego układu wyrównania potencjałów śrubą przymocowanej w tym celu do płyty podstawy ramy.

Projektowanie, produkcja i kontrole wyżej wymienionych systemów przeprowadzono zgodnie z następującymi normami, m.in

- Reduktor ciśnienia - ISO 7291
- Zawory - ISO 10297
- Manometr EN 837-1
- Mechaniczna ochrona przeciwwybuchowa całej stacji - ISO 80079-36; IEC 60079-32-1; TRGS 727

## 5. TRANSPORT, PAKOWANIE I PRZECHOWYWANIE

PL



### WSKAZÓWKI I ZALECENIA!

- Montaż i pierwsze uruchomienie najlepiej przeprowadzać przez pracowników producenta lub przez osoby przez niego upoważnione.
- Może się jednak zdarzyć, że podczas montażu i dalszego użytkowania operatorzy lub personel konserwacyjny użytkownika przejmie zadania związane z obsługą paczek. W takiej sytuacji należy bezwzględnie przestrzegać poniższych wytycznych.

### 5.1. WSKAZÓWKI BEZPIECZEŃSTWA DOTYCZĄCE TRANSPORTU



#### INFORMACJA!

- **Szkody rzeczowe na skutek niewłaściwego transportu!**
- W przypadku nieprawidłowego transportu przewożone elementy mogą spaść lub przewrócić się. W ten sposób mogą powstać znaczne szkody rzeczowe.
- Podczas rozładunku transportowanych elementów podczas dostawy i w transporcie wewnątrzzakładowym należy zachować ostrożność oraz przestrzegać symboli i wskazówek podanych na opakowaniu.
- Używać tylko wyznaczonych punktów mocowania.
- Usuwać opakowanie dopiero bezpośrednio przed montażem.

## 5.2. KONTROLA TRANSPORTU

Natychmiast po otrzymaniu dostawy należy sprawdzić ją pod kątem kompletności i uszkodzeń transportowych. W przypadku uszkodzeń widocznych z zewnątrz należy postępować w następujący sposób:

- Nie przyjmować dostawy lub przyjąć ją tylko z zastrzeżeniami.
- Szczegółowo opisać zakres uszkodzeń na dokumentach przewozowych lub na dowodzie dostawy przewoźnika.
- Rozpocząć procedurę reklamacyjną.



### WSKAZÓWKI I ZALECENIA

- Należy zgłaszać wszystkie wady natychmiast po ich wykryciu. Roszczenia gwarancyjne mogą być zgłaszane wyłącznie w okresie gwarancji.

## 5.3. OPAKOWANIA

Każda paczka jest przygotowywana zgodnie z przewidywanymi warunkami transportu. Do pakowania użyto wyłącznie materiałów przyjaznych dla środowiska.

Opakowanie jest przeznaczone do ochrony poszczególnych elementów przed uszkodzeniami transportowymi, korozją i innymi uszkodzeniami do czasu montażu. Dlatego nie należy niszczyć opakowania i usunąć je dopiero bezpośrednio przed montażem.



### WSKAZÓWKA!

- **Zagrożenie dla środowiska wynikające z nieprawidłowej utylizacji materiałów opakowaniowych!**
- Materiały opakowaniowe są cennymi surowcami i w wielu przypadkach mogą być ponownie wykorzystane lub poddane recyklingowi. Nieprawidłowa utylizacja materiałów opakowaniowych może spowodować zagrożenia dla środowiska.
- Materiały opakowaniowe należy utylizować w sposób przyjazny dla środowiska.
- Należy przestrzegać obowiązujących lokalnie przepisów dotyczących utylizacji. W razie potrzeby należy zlecić utylizację materiałów opakowaniowych specjalistycznej firmie.

## 5.4. PRZECHOWYWANIE

Opakowania można przechowywać przy zachowaniu następujących warunków:

- Nie przechowywać na zewnątrz.
- Przechowywać miejscu suchym i niezapylnym.
- Nie wystawiać na działanie agresywnych mediów.
- Chronić przed światłem słonecznym.
- Unikać wstrząsów mechanicznych.
- Temperatura przechowywania: 15 do 35 °C.
- Wilgotność względna: maks. 60 %.
- W przypadku przechowywania przez okres dłuższy niż 3 miesiące należy regularnie sprawdzać ogólny stan wszystkich części i opakowania.
- W razie potrzeby należy odświeżyć lub odnowić zabezpieczenie.



### WSKAZÓWKI I ZALECENIA

- Na opakowaniach mogą znajdować się instrukcje dotyczące przechowywania, które wykraczają poza podane wymagania. Należy się do nich odpowiednio stosować.

## 6. MONTAŻ I PIERWSZE URUCHOMIENIE

### 6.1. WSKAZÓWKI BEZPIECZEŃSTWA DOTYCZĄCE MONTAŻU I PIERWSZEGO URUCHOMIENIA

#### PERSONEL

Czynności związane z montażem i pierwszym uruchomieniem mogą być wykonywane wyłącznie przez wykwalifikowany personel.

## 6.2. CZYNNOŚCI PRZYGOTOWAWCZE

### ROZPAKOWYWANIE

- Wszystkie elementy należy rozpakowywać ostrożnie i z rozważą.
- Należy również usunąć dodatkowe materiały opakowaniowe.
- Sprawdzić wszystkie elementy pod kątem ewentualnych uszkodzeń transportowych.

### ROZPRĘŻANIE

- Zmniejszyć ciśnienie gazu w istniejących układach, w razie potrzeby przepłukać gazem obojętnym
- W razie konieczności uciąć rury istniejących układów używając specjalnych narzędzi i unikając odprysków.
- Upewnić się, że części przyłączeniowe są w nienagannym stanie i czyste.

## 6.3. MONTAŻ

Instalacja i pierwsze uruchomienie może być przeprowadzone wyłącznie przez wykwalifikowany personel.

Płyta podstawowa stacji rozprężania gazu jest zamocowana na wysokości 164 cm.

Płyta przednia ze stacją rozprężania gazu jest zaczepiana na płycie podstawowej i mocowana za pomocą dostarczonej śruby w dolnej środkowej części.

Płyta podstawowa musi być uziemiona za pomocą śruby przeznaczonej do tego celu.

Stacja rozprężania gazu jest zazwyczaj montowana za pomocą złączek zaciskowych do wylotu gazu procesowego, zaworu upustowego, wlotów gazu oczyszczającego i wylotu gazu oczyszczającego.

Należy również podłączyć zawór bezpieczeństwa i/lub zwrotny (jeżeli występują).

W pierwszej kolejności należy usunąć zaślepki z przyłączy.

W celu montażu należy wsunąć rurociąg całkowicie do złączki. Następnie należy ręcznie przykręcić nakrętkę złączkową i dokręcić ją kluczem płaskim (pierwszy montaż 1 1/4 obrotu dla rurociągów większych niż 1/8 cala i 3/4 obrotu dla rurociągów 1/8 cala lub mniejszych, ponowny montaż 1/4 obrotu dla wszystkich rurociągów).

Przewód upustowy jest podłączany do zaworu upustowego w ten sam sposób. Przewody odprowadzania spalin i przedmuchu NIE mogą być łączone i muszą być bezpiecznie wyprowadzone na zewnątrz; dotyczy to również podłączenia przewodu do zaworu bezpieczeństwa (jeżeli występuje).

Do podłączenia butli gazowych do stacji rozprężania gazu stosuje się standardowe elementy przyłączeniowe i węże przyłączeniowe (dostępne akcesoria).

Element / wąż przyłączeniowy jest zawsze dostarczany oddzielnie. Należy sprawdzić, czy przewód i wąż jest prawidłowo przyporządkowany. Numer przyłącza butli jest wybity na nakrętce przyłączeniowej. Zawsze występuje tylko jedna wersja elementów/ węży przyłączeniowych. Można jej użyć do podłączenia z lewej i prawej strony stacji rozprężania gazu.

Aby zamontować element / wąż przyłączeniowy w stacji rozprężania gazu należy najpierw zdjąć plastikową zaślepkę z gwintu przyłączeniowego elementu / węża przyłączeniowego oraz stacji rozprężania gazu. Należy upewnić się, że płaska uszczelka, która została dostarczona wraz z elementem / wężem przyłączeniowym, została włożona do nakrętki złączkowej.

Następnie należy nakręcić nakrętkę złączkową na gwint przyłączeniowy na wlocie stacji rozprężania gazu najpierw ręcznie, a potem dokręcić ją kluczem płaskim. W przypadku stosowania węża łączącego można przymocować linkę bezpieczeństwa do płyty podstawy za pomocą karabińczyka.

Do podłączenia elementu/węża przyłączeniowego do butli gazowej, gwint zaworu butli i nakrętki złączkowej musi być w idealnym stanie.

Przy każdym ponownym podłączeniu należy stosować nową uszczelkę. Można używać wyłącznie elementów / węży przyłączeniowych producenta, które są przeznaczone do stosowania z używanym rodzajem gazu.

W krótku przyłączeniowym elementu / węża przyłączeniowego należy sprawdzić, czy uszczelki zostały prawidłowo osadzone. Podczas dokręcania nie należy używać przedłużki klucza, ponieważ w ten sposób gwint i uszczelka zostaną zniszczone. W ten sposób może powstać nieszczelność.

## 6.4. WYMAGANIA DOTYCZĄCE PIERWSZEGO URUCHOMIENIA

- Protokoły z badań rurociągów pod względem szczelności, a w razie potrzeby również wilgotności i cząstek stałych są dostępne.
- Przewody gazu technologicznego, rurociągi gazu płuczącego i przewód upustowy oraz przewody zaworów bezpieczeństwa i/lub zaworów zwrotnych zostały podłączone (jeżeli występują).
- W rurociągu gazu technologicznego znajduje się tylko gaz standardowy. (zob. rozdział 2)
- Uruchomienie może być przeprowadzane wyłącznie przez przeszkolony i wykwalifikowany personel.
- Musi on nosić odzież ochronną wymaganą przez odpowiednie przepisy.
- Przed uruchomieniem należy udostępnić nieiskrzące narzędzie specjalne, które będzie używane podczas uruchamiania.
- Przed pierwszym użyciem urządzenia należy zapoznać się z tabliczką znamionową i sprawdzić, czy stacja rozprężania gazu jest odpowiednia do planowanego zastosowania (gaz, ciśnienie, materiał itp.).

## 6.5. PIERWSZE URUCHOMIENIE

- Wszystkie warunki wstępne, opisane w punkcie 6.4 zostały spełnione.
- Regulator ciśnienia drugiego stopnia jest rozprężony (zamknięty).
- Wszystkie zawory na stacji rozprężania gazu są zamknięte.



### OSTRZEŻENIE!

- Należy bezwzględnie uważać, aby na zawór nie działało ciśnienie przekraczające dopuszczalne ciśnienie robocze.
- Przed uruchomieniem należy upewnić się, że nikt uruchomienie urządzenia ciśnieniowego nie spowoduje jakichkolwiek zagrożeń dla osób w otoczeniu.

### 6.5.1. CZYSZCZENIE GAZEM TECHNOLOGICZNYM (S300/S200/S60)

Stacje rozprężania gazów z własnym systemem oczyszczania gazem S300/S200/S60 są używane do usuwania powietrza atmosferycznego, które dostało się do systemu podczas wymiany butli oraz do rozprężenia przewodu spiralnego lub węża przyłączeniowego w celu wymiany butli. Należy upewnić się, że przewód upustowy został podłączony.

1. Zawór do oczyszczania gazu technologicznego jest zamknięty, przełącznik jest poprzeczny do kierunku przepływu (zawór 2-portowy).
2. Regulator ciśnienia jest rozprężony (zamknięty).
3. Zamknąć zawór odcinający wlotowy, widoczne jest czerwone oznaczenie (zawór 4-portowy).
4. Teraz zawór odcinający na wlocie jest zamknięty tylko w kierunku reduktora ciśnienia. Droga w kierunku zaworu w celu czyszczenia gazem technologicznym jest wolna.
5. Teraz należy powoli otworzyć zawór butli.
6. Gaz technologiczny przepływa do elementu / węża przyłączeniowego.
7. Teraz należy zamknąć zawór butli.
8. Teraz należy na chwilę otworzyć zawór do czyszczenia gazem technologicznym i usunąć gaz znajdujący się w elemencie / wężu przyłączeniowym.
9. Następnie natychmiast zamknąć zawór prowadzący do układu oczyszczania gazem technologicznym.

*KROKI 4 – 9 NALEŻY POWTÓRZYĆ CO NAJMNIEJ 10 RAZY*

## 6.5.2. CZYSZCZENIE GAZEM OBCYM (A209)

Stacje rozprężania gazów z zewnętrznym systemem oczyszczania gazem S203 są używane, aby przed wymianą butli usunąć trujący i/albo żrący gaz oraz do rozprężenia przewodu spiralnego lub węża przyłączeniowego w celu wymiany butli. Należy upewnić się, że przewód upustowy został podłączony.

1. Należy sprawdzić, czy wlot gazu czyszczącego, wylot gazu czyszczącego, wloty gazu technologicznego, przewód upustowego oraz, ewentualnie, zawór bezpieczeństwa zostały prawidłowo podłączone.
2. Zamknąć wszystkie zawory, czerwone oznaczenia muszą być widoczne (wersja 4-drogowa).
3. Zamknąć reduktor ciśnienia przekręcając pokrętkę w kierunku przeciwnym do ruchu wskazówek zegara.
4. Otworzyć zawór do czyszczenia gazem na wlocie.
5. Zamknąć zawór do czyszczenia gazem na wlocie. Gaz należy pozostawić przez kilka sekund w danym komponencie.
6. Na chwilę otworzyć zawór do czyszczenia gazem na wylocie i poczekać, aż gaz użyty do czyszczenia zostanie usunięty.
7. Zamknąć zawór do czyszczenia gazem na wylocie.

*KROKI 4 – 7 CO NAJMNIEJ 10 RAZY*

## 6.5.3. NAPEŁNIANIE RUROCIĄGU GAZU TECHNOLOGICZNEGO GAZEM TECHNOLOGICZNYM

Przed uruchomieniem i napełnieniem systemu rurociągów należy, w zależności od typu stacji rozprężenia gazu, oczyścić układ używając własnego (patrz punkt 6.5.1) lub zewnętrznego (patrz punkt 6.5.2) systemu oczyszczania gazem. Z powodów bezpieczeństwa w każdym przypadku zalecamy montaż przewodu upustowego.

1. Sprawdzić, czy elementy/ wężę przyłączeniowe, przewód czyszczenia, procesowy, bezpieczeństwa i upustowy zostały prawidłowo podłączone.
2. Zamknąć wszystkie zawory stacji rozprężenia gazu; czerwony znacznik jest widoczny (wersja 4-drogowa).
3. Obrócić pokrętkę regulatora ciśnienia do oporu w kierunku przeciwnym do ruchu wskazówek zegara - w ten sposób przepływ zostaje zamknięty.
4. Teraz należy powoli otworzyć zawór butli. Teraz należy POWOLI otworzyć zawór odcinający na wlocie.
6. Teraz stacja rozprężania gazu działa.
7. Zaleca się codzienne kontrole stacji rozprężania gazu oraz codzienne sprawdzanie wartości ciśnień.

*ZALECAMY CODZIENNE SPRAWDZANIE KOLEKTORA I MANOMETRÓW*

## 6.5.4. WYMIANA BUTLI



### UWAGA!

- Należy przestrzegać wartości MAK (zob. Przepisy techniczne dotyczące substancji niebezpiecznych, TRGS 900).
1. Zamknąć zawór butli w butli gazowej.
  2. Zamknąć wlotowy zawór odcinający po stronie pustej butli gazowej.
  3. Otworzyć zawór czyszczenia gazem technologicznym / zawór czyszczenia na wyjściu, aby w ten sposób rozprężyć element / wąż przyłączeniowy.
  4. S300/S200/S60: Oczyścić układ gazem technologicznym (patrz punkt 6.5.1).  
S203: oczyścić układ gazem obcym (patrz punkt 6.5.2).
  5. Zamknąć wlotowy zawór odcinający po stronie pustej butli gazowej.
  6. Odłączyć element / wąż przyłączeniowy od zaworu butli w pustej butli gazowej.
  7. Podłączyć nową butlę gazową. Przy tym należy ZAWSZE używać nowej uszczelki.

*PRZED PONOWNYM URUCHOMIENIEM:*

8. S300/S200/S60: oczyścić układ gazem technologicznym (patrz punkt 6.5.1).  
S203: oczyścić układ gazem obcym (patrz punkt 6.5.2).
9. Napełnić element / wąż przyłączeniowy gazem technologicznym.

## 6.5.5. WYŁĄCZENIE INSTALACJI Z EKSPLOATACJI

Zamknąć stację rozprężania gazu, przekręcając pokrętkę regulatora ciśnienia w kierunku przeciwnym do ruchu wskazówek zegara.

Zamknięcie regulatora ciśnienia nie gwarantuje szczelności. Należy liczyć się z tym, że może dojść do wycieku gazu przez węże lub podłączone urządzenia odbiorcze.

Zamknąć zawór odcinający dopływ gazu.

Ze względów bezpieczeństwa należy zawsze zamykać zawór butli.

*W PRZYPADKU CAŁKOWITEGO DEMONTAŻU STACJI ROZPRĘŻANIA GAZU NALEŻY PRZESTRZEGAĆ NASTĘPUJĄCYCH WSKAZÓWEK:*



### NIEBEZPIECZEŃSTWO!

- Rozprężyć regulator ciśnienia i przewody usuwając gaz przez urządzenie odbiorcze.
- Wskazówki manometrów na wejściu i wyjściu muszą wskazywać wartość "0".
- W razie potrzeby oczyścić układ gazem technologicznym lub gazem obcym.
- Podjąć odpowiednie działania mające na celu ochronę wszystkich osób.
- Przestrzegać wartości MAK.
- Należy bezwzględnie uważać, aby na zawór nie działało ciśnienie przekraczające dopuszczalne ciśnienie robocze.
- Przed uruchomieniem należy upewnić się, że nikt uruchomienie urządzenia ciśnieniowego nie spowoduje jakichkolwiek zagrożeń dla osób w otoczeniu.

## 6.6. KONTROLE

- Po napełnieniu ciśnieniem należy sprawdzić działanie regulatora ciśnienia.
- Sprawdzić szczelność zaworu upustowego. Zawór musi być całkowicie szczelny, nie mogą pojawiać się żadne pęcherzyki.
- Sprawdzić szczelność wszystkich zaworów. Zowry muszą być całkowicie szczelny, nie mogą pojawiać się żadne pęcherzyki.

## 7. PRACA URZĄDZENIA

Zgodnie z rozdziałem 2.1 stacja rozprężania gazów jest przeznaczona do pracy z gazami standardowymi.

PL



### UWAGA!

- Zawory ręczne muszą być zawsze otwierane powoli i ostrożnie, aby w ten sposób uniknąć skoków ciśnienia w układzie i aby chronić inne komponenty.

## 8. KONSERWACJA

### 8.1. WSKAZÓWKI BEZPIECZEŃSTWA DOTYCZĄCE KONSERWACJI



### INFORMACJA!

- Prace konserwacyjne mogą być przeprowadzane wyłącznie przez wykwalifikowany, przeszkolony i autoryzowany personel. (zob. rozdział 2.4).

### 8.2. PLAN KONSERWACJI

W poniższych rozdziałach opisano czynności konserwacyjne wymagane do optymalnej i bezawaryjnej pracy urządzenia. W przypadku, gdy podczas regularnych kontroli zostanie stwierdzone zwiększone zużycie, wtedy należy skrócić wymagane okresy między przeglądami konserwacyjnymi odpowiednio do rzeczywistego zużycia



## ! WSKAZÓWKA!

- W przypadku pytań dotyczących prac konserwacyjnych i częstotliwości przeglądów należy skontaktować się z działem obsługi klienta.

Okres	Czynność konserwacyjna	Personel
Co tydzień	Kontrola wzrokowa wszystkich komponentów	Osoba wykwalifikowana (TRBS 1203)
Raz w roku	Kontrola działania i szczelności, kontrola wszystkich części istotnych dla bezpieczeństwa	Osoba wykwalifikowana (TRBS 1203)
Co 10 lat	Generalny przegląd i wymiana wszystkich części eksploatacyjnych	Osoba wykwalifikowana (TRBS 1203)

## 8.3. PRACE KONSERWACYJNE

### 8.3.1. CZYSZCZENIE

## ! UWAGA!

- Stosowane środki czyszczące muszą być odpowiednie do materiałów z którymi będą mieć styczność.

### 8.3.2. WARUNKI WSTĘPNE DOTYCZĄCE KONSERWACJI

*PRZED ROZPOCZĘCIEM KONSERWACJI NALEŻY SPRAWDZIĆ, CZY*

- Dopływ gazu został odcięty i zabezpieczony przed ponownym włączeniem
- Stacja redukcji ciśnienia nie jest pod ciśnieniem
- Regulator ciśnienia nie jest pod ciśnieniem
- Zawór jest zamknięty
- W układzie nie występuje gaz technologiczny
- Układ został przepłukany gazem obojętnym

### 8.3.3. NIEZBĘDNY SERWIS KONSERWACYJNY

- Kontrola dokładności wyświetlania wartości wskazań dla wskaźników ciśnienia.
- Stacja redukcji ciśnienia, regulator ciśnienia, zawory i wskaźniki ciśnienia: Kontrola działania, stanu i oznakowania.
- Kontrola oznakowania.
- Kontrola pod kątem korozji.
- Kontrola działania.
- Próba szczelności z 1-krotnym ciśnieniem roboczym przez okres 12 godzin.
- Zużyte i uszkodzone elementy należy natychmiast wymienić, a te prace należy zlecić autoryzowanej firmie specjalistycznej.
- Zawory zostały zaprojektowane zgodnie z normą ISO 10297. Norma obejmuje badanie typu, w którym zawór został poddany testowi trwałości do 2000 cykli. Po 2000 cyklach należy wymienić wewnętrzne, które mają kontakt z medium. Te prace należy zlecić autoryzowanej firmie specjalistycznej.
- W przypadku stwierdzenia nieszczelności lub nadmiernej korozji w stacji redukcji ciśnienia, na regulatorach ciśnienia lub zaworach, należy w całości wymienić te części na obszarze do najbliższego połączenia, które można rozłączyć. Te prace należy zlecić autoryzowanej firmie specjalistycznej.
- Po wymianie komponentów lub części rurociągów należy ponownie wykonać próby ciśnieniowe i sporządzić odpowiednie protokoły.

## 8.4. DZIAŁANIA PO KONSERWACJI

*PO ZAKOŃCZENIU PRAC KONSERWACYJNYCH I PRZED PONOWNYM URUCHOMIENIEM STACJI REDUKCJI CIŚNIENIA, REGULATORA CIŚNIENIA LUB ZAWORU NALEŻY WYKONAĆ NASTĘPUJĄCE CZYNNOŚCI:*

1. Upewnić się, że wszystkie użyte narzędzia, materiały i inne urządzenia zostały usunięte z obszaru pracy.
2. Wyczyścić miejsce pracy i usunąć wszystkie, ewentualnie rozlane substancje (np. Ciecze, użyte materiały itp.).
3. Upewnić się, że wszystkie instalacje bezpieczeństwa układu działają prawidłowo.

## 9. USTERKI

W poniższym rozdziale opisano możliwe przyczyny usterek oraz czynności, które należy wykonać w celu ich usunięcia. W przypadku częstszego występowania usterek należy skrócić okresy pomiędzy konserwacjami i dostosować je do rzeczywistego obciążenia. W przypadku usterek, których nie można usunąć za pomocą wskazówek podanych poniżej, należy skontaktować się z producentem.

### 9.1. WSKAZÓWKI BEZPIECZEŃSTWA DOTYCZĄCE USUWANIA USTEREK

W przypadku usterek należy zawsze odłączyć dopływ gazu, rozprężyć regulator ciśnienia i zamknąć zawory. Nigdy nie przeprowadzać prac konserwacyjnych na elementach znajdujących się pod ciśnieniem.

*SPOSÓB POSTĘPOWANIA W PRZYPADKU USTEREK I AWARII:*

1. Odciąć dopływ gazu i zabezpieczyć przed ponownym włączeniem.
2. Rozprężyć regulator ciśnienia, zamknąć zawory.
3. Usterki mogą być usuwane wyłącznie przez wykwalifikowany personel.
4. Przywrócić urządzenie do stanu początkowego.

Opis	Przyczyna	Rozwiązanie	Zawory	Regulator ciśnienia butli	Regulator ciśnienia	Stacje redukcji ciśnienia
Brak przepływu (manometr na wejściu wskazuje ciśnienie, natomiast manometr na wyjściu nie pokazuje ciśnienia)	Regulator ciśnienia jest zamknięty	Powoli otworzyć regulator ciśnienia. Zamknąć zawór płuczący.		<input checked="" type="checkbox"/>	<input checked="" type="checkbox"/>	<input checked="" type="checkbox"/>
Brak przepływu (obydwa manometry nie wskazują ciśnienia)	Zawór ciśnienia butli jest zamknięty. Zawór gazu użytkowego jest zamknięty. Regulator ciśnienia jest zamknięty. Przełącznik/wąż nie jest podłączony.	Uruchomić zgodnie z opisem w punkcie 6 „Montaż i pierwsze uruchomienie”		<input checked="" type="checkbox"/>	<input checked="" type="checkbox"/>	<input checked="" type="checkbox"/>
Brak przepływu.	Regulator ciśnienia jest zamknięty	Powoli otworzyć regulator ciśnienia	<input checked="" type="checkbox"/>			
Ciśnienie wyjściowe wzrasta i zawór upustowy otwiera się.	Nieszczelność w gnieździe regulatora ciśnienia.	Zlecić naprawę producentowi		<input checked="" type="checkbox"/>	<input checked="" type="checkbox"/>	<input checked="" type="checkbox"/>
Niewielki wzrost ciśnienia wyjściowego, zawór upustowy nie otwiera się	Spadek ciśnienia wejściowego	To nie jest usterka, lecz normalny stan roboczy		<input checked="" type="checkbox"/>	<input checked="" type="checkbox"/>	<input checked="" type="checkbox"/>

Opis	Przyczyna	Rozwiązanie	Zawory	Regulator ciśnienia butli	Regulator ciśnienia	Stacje redukcji ciśnienia
Nieznaczny wzrost ciśnienia wyjściowego.	Różnica pomiędzy ciśnieniem przepływu (z przepływem) a ciśnieniem dynamicznym (bez przepływu)	To nie jest usterka, lecz normalny stan roboczy		<input checked="" type="checkbox"/>	<input checked="" type="checkbox"/>	<input checked="" type="checkbox"/>
Nieznaczny spadek ciśnienia wyjściowego	Różnica pomiędzy ciśnieniem dynamicznym (bez przepływu) a ciśnieniem przepływu (z przepływem)	To nie jest usterka, lecz normalny stan roboczy		<input checked="" type="checkbox"/>	<input checked="" type="checkbox"/>	<input checked="" type="checkbox"/>
Znaczny spadek ciśnienia wyjściowego	Wymagane natężenie przepływu jest za duże dla regulatora ciśnienia	Wybrać nowy regulator ciśnienia odpowiedni dla wymaganego ciśnienia i przepływu		<input checked="" type="checkbox"/>	<input checked="" type="checkbox"/>	<input checked="" type="checkbox"/>
Znaczny spadek ciśnienia wyjściowego	Nieszczelny rurociąg z gazem technologicznym	Sprawdzić rurociąg z gazem technologicznym		<input checked="" type="checkbox"/>	<input checked="" type="checkbox"/>	<input checked="" type="checkbox"/>
Za wysokie ciśnienie na wyjściu	Nieprawidłowe ustawienie regulatora ciśnienia	Ustawić regulator ciśnienia, wyregulować go, konserwacja regulatora		<input checked="" type="checkbox"/>	<input checked="" type="checkbox"/>	<input checked="" type="checkbox"/>
Ciśnienie wyjściowe wzrasta natychmiast do maksimum lub ciśnienie wyjściowe wzrasta powoli ponad ustawioną wartość, a zawór upustowy otwiera się	Zanieczyszczone lub uszkodzone gniazdo "Steiger"	Zlecić naprawę producentowi		<input checked="" type="checkbox"/>	<input checked="" type="checkbox"/>	<input checked="" type="checkbox"/>

PL

Opis	Przyczyna	Rozwiązanie	Zawory	Regulator ciśnienia butli	Regulator ciśnienia	Stacje redukcji ciśnienia
Odgłosy podczas pracy	Wymagane natężenie przepływu jest za duże dla regulatora ciśnienia	Wybrać nowy regulator ciśnienia odpowiedni dla wymaganego ciśnienia i przepływu		☑	☑	☑
Obrót kołem ręcznym nie powoduje zmiany sterowania zaworem	Zbyt wysoki moment obrotowy uszkodził koło ręczne, uszkodzone wrzeciono, uszkodzony gwint	Zlecić naprawę producentowi	☑	☑	☑	☑
Wilgoć na regulatorze ciśnienia (NIE CHODZI o rosę, deszcz lub śnieg)	Rozprężanie gazu powoduje, że regulator ciśnienia zbiera energię z otoczenia	To nie jest usterka, lecz normalny stan roboczy		☑	☑	☑
Na regulatorze ciśnienia powstaje lód (NIE CHODZI o rosę, deszcz lub śnieg)	Rozprężanie gazu powoduje, że regulator ciśnienia zbiera energię z otoczenia, ograniczony dopływ gazu z butli (np. N <sub>2</sub> O, CO <sub>2</sub> )	To nie jest usterka, lecz normalny stan roboczy. UWAGA: sprawdzić działanie manometrów kontaktowych, zwiększyć ilość butli z gazem		☑	☑	☑

Powyższa tabela nie wyczerpuje wszystkich możliwości. W przypadku pytań i niejasności prosimy o kontakt z producentem.

## 10. DEMONTAŻ I UTYLIZACJA

Po zakończeniu okresu użytkowania urządzenia należy je zdemontować i zutylizować w sposób przyjazny dla środowiska.

### 10.1. WSKAZÓWKI BEZPIECZEŃSTWA DOTYCZĄCE DEMONTAŻU I UTYLIZACJI



#### OSTRZEŻENIE!

- **Niebezpieczeństwo obrażeń w wyniku nieprawidłowego demontażu!**
- Zgromadzone energie resztkowe, elementy z narożnikami czy ostrymi krawędziami na i w urządzeniu lub na wymaganych narzędziach specjalnych mogą powodować obrażenia.
- Przed rozpoczęciem pracy należy upewnić się, że dostępna jest wystarczająca ilość miejsca.
- Z elementami o ostrych krawędziach należy postępować ostrożnie.
- W miejscu pracy należy zachować porządek i czystość.
- Luźne elementy i narzędzia leżące na sobie lub wokół siebie stanowią źródło wypadków.
- Elementy konstrukcyjne należy prawidłowo zdemontować. Należy pamiętać, że niektóre elementy są ciężkie. W razie potrzeby należy używać urządzeń dźwigowych.

- Zabezpieczyć elementy tak, aby nie spadły lub nie przewróciły się.
- W razie wątpliwości należy skonsultować się z producentem.

## 10.2. DEMONTAŻ

### PRZED ROZPOCZĘCIEM DEMONTAŻU

Zamknąć regulator ciśnienia drugiego stopnia stacji rozprężania gazu, przekręcając pokrętkę w kierunku przeciwnym do ruchu wskazówek zegara.

Teraz należy rozprężyć regulator ciśnienia i stację rozprężania gazu oraz upewnić się, że w środku nie ma już gazu technologicznego.

Rozprężyć układ i, jeśli to konieczne, przedmuchać go gazem obojętnym.

Rozprężyć stację po stronie wysokiego ciśnienia przez zawór gazu czyszczącego.

W zależności od wersji przeprowadzić czyszczenie gazem technologicznym lub gazem obcym.

Usunąć materiały eksploatacyjne i pomocnicze oraz resztki materiałów po obróbce i zutylizować je w sposób przyjazny dla środowiska.

Następnie należy prawidłowo oczyścić zespoły i komponenty oraz rozłożyć je na części je zgodnie z obowiązującymi lokalnymi przepisami bezpieczeństwa pracy i ochrony środowiska.



### OSTRZEŻENIE!

- **Nie otwierać układu w którym nadal znajduje się toksyczny i/lub żrący gaz!**

## 10.3. UTYLIZACJA

Jeżeli nie została zawarta umowa o odbiorze lub utylizacji, wtedy należy przekazać elementy rozebrane na części do recyklingu.

Elementy metalowe należy zezłomować.

Elementy plastikowe należy przekazać do recyklingu.

Pozostałe komponenty należy utylizować według składu ich materiałów.

Zgodnie z artykułem 33 rozporządzenia REACH, spółka GCE, s.r.o., jako odpowiedzialny producent, zobowiązuje się do informowania wszystkich klientów o przypadkach, w których materiały zawierają 0,1% lub więcej substancji wzbudzających szczególnie duże obawy (SVHC) podanych na liście.

Stopy mosiądzu, najczęściej używane do produkcji korpusów i innych elementów mosiężnych, zawierają 2-3% ołowiu (Pb), nr WE 231-468-6, nr CAS 7439-92-1. Podczas normalnego użytkowania ołów nie jest uwalniany do gazu ani do środowiska. Po zakończeniu okresu użytkowania, produkt musi zostać zutylizowany przez certyfikowaną firmę zajmującą się recyklingiem metali, aby w ten sposób zapewnić skuteczną utylizację materiału przy minimalnym wpływie na środowisko i zdrowie.

Do chwili obecnej nie posiadamy informacji wskazujących, że w produktach GCE są zawarte materiały o stężeniu SVHC powyżej 0,1%.

PL



### WSKAZÓWKA!

- **Zagrożenie dla środowiska wynikające z nieprawidłowej utylizacji materiałów opakowaniowych!**
- Nieprawidłowa utylizacja może spowodować zagrożenia dla środowiska.
- Żłom elektryczny, części elektroniczne, smary i inne materiały pomocnicze należy przekazać do autoryzowanych firm specjalistycznych.
- W razie wątpliwości należy skonsultować się w kwestii utylizacji przyjaznej dla środowiska z miejscowym urzędem lub specjalistyczną firmą recyklingową.

[www.linde.com](http://www.linde.com)

Niniejsze artykuły te zostały wyprodukowane na zlecenie firmy Linde.

# OBSAH

<b>1. OBECNĚ</b>	<b>250</b>
1.1. INFORMACE O NÁVODU K POUŽITÍ	250
1.2. INFORMACE O PANELU	250
1.2.1. S300/S200/S60	251
1.2.2. S203	251
1.3. VYSVĚTLENÍ SYMBOLŮ	251
1.4. OMEZENÍ ODPOVĚDNOSTI	252
1.5. AUTORSKÉ PRÁVO	252
1.6. NÁHRADNÍ DÍLY	252
1.7. ZÁRUČNÍ PODMÍNKY	252
1.8. ZÁKAZNICKÝ SERVIS	252
<b>2. BEZPEČNOST</b>	<b>252</b>
2.1. ÚČEL POUŽITÍ	252
2.1.1. KONSTRUKČNÍ ZMĚNY PANELU	253
2.2. ZÁKLADNÍ RIZIKA	253
2.3. ODPOVĚDNOST PROVOZOVATELE	254
2.4. POŽADAVKY NA PERSONÁL	255
2.4.1. KVALIFIKACE	255
2.4.2. NEOPRÁVNĚNÝ PERSONÁL	255
2.4.3. ŠKOLENÍ	255
2.5. OSOBNÍ OCHRANNÉ PRACOVNÍ POMŮCKY	255
2.6. CHOVÁNÍ V PŘÍPADĚ POŽÁRU NEBO NEHODY	256
2.7. OCHRANA ŽIVOTNÍHO PROSTŘEDÍ	256
2.8. ZNAČENÍ	257
2.8.1. PŘÍKAZOVÉ ZNAČKY	257
2.8.2. ZÁKAZOVÉ ZNAČKY	257
2.8.3. VÝSTRAŽNÉ ZNAČKY	257
<b>3. TECHNICKÉ ÚDAJE</b>	<b>258</b>
3.1. SCHÉMA PRŮTOKU – S300/S200/S60	258
3.2. ROZMĚROVÝ LIST – S300/S200/S60	259
3.3. SCHÉMA PRŮTOKU – S203	260
3.4. ROZMĚROVÝ LIST – S203	261
3.5. OBECNÉ ÚDAJE	262
3.6. PŘIPOJOVACÍ ROZMĚRY	262
3.7. PRŮTOK REDUKČNÍM VENTILEM	262
3.8. PROVOZNÍ PODMÍNKY	262
<b>4. NASTAVENÍ A FUNKCE</b>	<b>263</b>
4.1. PŘEHLED – S300/S200/S60	263
4.2. PŘEHLED – S203	263
4.3. STRUČNÝ POPIS	263
<b>5. DOPRAVA, BALENÍ A SKLADOVÁNÍ</b>	<b>264</b>
5.1. BEZPEČNOSTNÍ INFORMACE PRO PŘEPRAVU	264
5.2. KONTROLA PŘI PŘEPRAVĚ	264
5.3. BALENÍ	264
5.4. SKLADOVÁNÍ	265
<b>6. INSTALACE A PRVNÍ UVEDENÍ DO PROVOZU</b>	<b>265</b>
6.1. BEZPEČNOSTNÍ POZNÁMKY PRO INSTALACI A PRVNÍ UVEDENÍ DO PROVOZU	265
6.2. PŘÍPRAVA	265
6.3. INSTALACE	265
6.4. POŽADOVANÁ KVALIFIKACE PRO PRVNÍ UVEDENÍ DO PROVOZU A VÝMĚNU LAHVÍ	266
6.5. PRVNÍ UVEDENÍ DO PROVOZU	266
6.5.1. PROPLACHOVÁNÍ PROCESNÍM PLYNEM (S300/S200/S60)	266
6.5.2. PROPLACHOVÁNÍ INERTNÍM PLYNEM (S203)	266
6.5.3. NAPĚŤTE POTRUBÍ NA PROCESNÍ PLYN PROCESNÍM PLYNEM	267
6.5.4. VÝMĚNA PRÁZDNÉ PLYNOVÉ LÁHVE	267
6.5.5. VÝŘAZENÍ PANELU Z PROVOZU	267
6.6. TESTY	268
<b>7. PROVOZ</b>	<b>268</b>

<b>8. ÚDRŽBA.....</b>	<b>268</b>
8.1. BEZPEČNOST PRÁCE PŘI ÚDRŽBĚ.....	268
8.2. PLÁN ÚDRŽBY.....	268
8.3. ÚDRŽBA.....	268
8.3.1. ČISTĚNÍ.....	268
8.3.2. POŽADAVKY NA ÚDRŽBU.....	268
8.3.3. NEZBYTNÁ ÚDRŽBA.....	269
8.4. OPATŘENÍ PRO ÚDRŽBU.....	269
<b>9. ODSTRAŇOVÁNÍ ZÁVAD.....</b>	<b>269</b>
9.1. BEZPEČNOST PRÁCE PŘI ODSTRAŇOVÁNÍ ZÁVAD.....	269
<b>10. DEMONTÁŽ A LIKVIDACE.....</b>	<b>272</b>
10.1. BEZPEČNOST PRÁCE PŘI DEMONTÁŽI A LIKVIDACI.....	272
10.2. DEMONTÁŽ.....	272
10.3. LIKVIDACE.....	272

# ČESKY

## NÁVOD K POUŽITÍ: PANEL

### 1. OBECNĚ

#### 1.1. INFORMACE O NÁVODU K POUŽITÍ

Tento návod je určen pouze pro použití těchto panelů:

- S300
- S203
- S200
- S60

Tyto druhy panelů jsou vhodné k odebírání plynu z plynové láhve nebo svazku a ke snižování tlaku.

Panely jsou trvale připevněny na stěnu a jsou připojeny k plynovým lahvím nebo svazkům trubkovými spirálami nebo hadicemi.

Tento návod vám umožní bezpečné a efektivní ovládání systému. Je nedílnou součástí rozvodu a musí být vždy uložen u systému a být neustále v dosahu personálu.

Pracovníci musí tento návod před začátkem všech prací pečlivě přečíst a porozumět mu. Základní předpoklad pro bezpečnou práci je dodržování všech bezpečnostních pokynů a návodů pro manipulaci uvedených v tomto návodu. Kromě toho platí místní předpisy pro bezpečnost práce a všeobecné bezpečnostní předpisy pro oblast použití zařízení. Zobrazené v tomto návodu slouží k důkladnému porozumění a mohou se lišit od skutečného provedení.

#### 1.2. INFORMACE O PANELU

Panely tohoto typu jsou vhodné pouze pro plyny definované jako standardní plyn. Maximální pracovní tlak pro tyto panely je 300 bar. Panely se skládají z uzavíracích a redukčních ventilů s kovovou membránou, které jsou zkonstruovány a schváleny podle ISO7291 / 10297, včetně kyslíkové zkoušky.

CS

Výrobní řada	Řada DruvaPUR (čistota 6.0   chromovaná mosaz)	Řada DruvaPUR (čistota 6.0   nerezová ocel)
<p>Tlaková pojistka s <b>FKM</b> sedlem</p> <p>(**) = (v případě pochybností se zeptejte)</p>	<ul style="list-style-type: none"> <li>• Vhodné plyny (včetně jejich směsí)               <ul style="list-style-type: none"> <li>• Vysoce čisté</li> <li>• Inertní</li> <li>• Hořlavé</li> <li>• Oxidující</li> <li>• O<sub>2</sub></li> </ul> </li> <li>• Nevhodné plyny (včetně jejich směsí)               <ul style="list-style-type: none"> <li>• Korozivní</li> <li>• Toxické</li> <li>• CO<sub>2</sub>, N<sub>2</sub>O</li> </ul> </li> </ul>	<ul style="list-style-type: none"> <li>• Vhodné plyny (včetně jejich směsí)               <ul style="list-style-type: none"> <li>• Vysoce čisté</li> <li>• Inertní</li> <li>• Hořlavé</li> <li>• O<sub>2</sub> až 200 bar</li> <li>• Korozivní (**)</li> <li>• Toxické (**)</li> </ul> </li> <li>• Nevhodné plyny (včetně jejich směsí)               <ul style="list-style-type: none"> <li>• O<sub>2</sub></li> <li>• CO<sub>2</sub>, N<sub>2</sub>O</li> <li>• NH<sub>3</sub>, SO<sub>2</sub>, H<sub>2</sub>S</li> </ul> </li> </ul>
<p>Tlaková pojistka s <b>EPDM</b> sedlem</p> <p>(**) = (v případě pochybností se zeptejte)</p>	<ul style="list-style-type: none"> <li>• Vhodné plyny (včetně jejich směsí)               <ul style="list-style-type: none"> <li>• Vysoce čisté</li> <li>• Inertní</li> <li>• Hořlavé</li> <li>• Oxidující</li> <li>• O<sub>2</sub>, N<sub>2</sub>O</li> </ul> </li> <li>• Nevhodné plyny (včetně jejich směsí)               <ul style="list-style-type: none"> <li>• Korozivní</li> <li>• Toxické</li> <li>• O<sub>2</sub> (podíl vyšší než 21 %)</li> <li>• Uhlovodíky</li> </ul> </li> </ul>	<ul style="list-style-type: none"> <li>• Vhodné plyny (včetně jejich směsí)               <ul style="list-style-type: none"> <li>• Vysoce čisté</li> <li>• Inertní</li> <li>• Hořlavé</li> <li>• Oxidující</li> <li>• Korozivní (**)</li> <li>• Toxické (**)</li> <li>• CO<sub>2</sub>, N<sub>2</sub>O</li> <li>• NH<sub>3</sub>, SO<sub>2</sub>, H<sub>2</sub>S</li> </ul> </li> <li>• Nevhodné plyny (včetně jejich směsí)               <ul style="list-style-type: none"> <li>• O<sub>2</sub> (podíl vyšší než 21 %)</li> <li>• Uhlovodíky</li> </ul> </li> </ul>

Tato tabulka není v žádném případě úplná. Při dotazech a nejasnostech kontaktujte prosím výrobce.



### 1.2.1. S300/S200/S60

Tento panel se dodává ve verzi z chromované mosazi a z nerezové oceli. Skládá se z těchto součástí:

- Redukční ventil se vstupním a výstupním manometrem
- Proplachovací ventil pro proplachování procesním plynem a uzavírací ventil na vstupu
- Pojistný ventil
- Přední a zemnicí deska

#### ZVLÁŠTNÍ VYBAVENÍ

- S: pojistný ventil na výstupu
- C: zpětné ventily na vstupech
- U: pojistný ventil na výstupu a zpětné ventily na vstupech

### 1.2.2. S203

Tento panel se dodává pouze ve verzi z nerezové oceli. Skládá se z těchto součástí:

- Redukční ventil se vstupním a výstupním manometrem
- Dva proplachovací ventily se 4 porty a ventil se 2 porty pro proplachování inertním plynem na vstupech
- Pojistný ventil
- Přední a zemnicí deska

#### ZVLÁŠTNÍ VYBAVENÍ

- S: bezpečnostní ventil na výstupu

## 1.3. VYSVĚTLENÍ SYMBOLŮ

<b>BEZPEČNOSTNÍ INFORMACE</b>	Bezpečnostní informace jsou v tomto návodu zvýrazněny symboly. Těmto bezpečnostním informacím předchází signální slova, která definují rozsah rizika.
	<b>NEBEZPEČÍ!</b> Tato kombinace symbolu a signálního slova označuje bezprostředně nebezpečnou situaci, která způsobí smrt nebo vážné zranění, pokud se jí nezabrání.
	<b>VAROVÁNÍ!</b> Tato kombinace symbolu a signálního slova označuje možnou nebezpečnou situaci, která může způsobit smrt nebo vážné zranění, pokud se jí nezabrání.
	<b>POZOR!</b> Tato kombinace symbolu a signálního slova označuje možnou nebezpečnou situaci, která může způsobit smrt nebo vážné zranění, pokud se jí nezabrání.
	<b>POZNÁMKA!</b> Tato kombinace symbolu a signálního slova označuje možnou nebezpečnou situaci, která může způsobit poškození majetku a prostředí, pokud se jí nezabrání.
	<b>TIPY A DOPORUČENÍ</b> Tento symbol upozorňuje na užitečné tipy a doporučení spolu s návodem pro zajištění účinného a bezproblémového provozu.
<b>ZVLÁŠTNÍ BEZPEČNOSTNÍ INFORMACE</b>	Následující bezpečnostní symboly se používají v bezpečnostních informacích pro upozornění na konkrétní rizika.
	<b>NEBEZPEČÍ!</b> Tato kombinace symbolu a signálního slova označuje bezprostředně nebezpečnou situaci týkající se elektrického proudu. Ignorování takového varování může mít za následek těžká nebo smrtelná zranění.

CS

## 1.4. OMEZENÍ ODPOVĚDNOSTI

Všechny informace a poznámky v tomto návodu byly sestaveny v souladu s platnými normami a předpisy. Odrážejí nejlepší inženýrskou praxi a naše dlouholeté zkušenosti.

Výrobce nenese žádnou odpovědnost za škody v následujících případech:

- Nedodržení tohoto návodu.
- Používání výrobku k jinému než určenému účelu.
- Obsluha neškoleným personálem.
- Neoprávněné úpravy.
- Technické úpravy.
- Používání nepovolovaných náhradních dílů.
- Práce s výrobkem, pokud je bezpečnostní zařízení poškozeno nebo nesprávně nainstalováno nebo pokud nefunguje správně.
- Nesprávná kontrola součástí, spojů a těsnění, které jsou součástími podléhající rychlému opotřebení.
- Nesprávné opravy.
- Porušení teplotních limitů, které jsou uvedeny v datovém listu, během provozu nebo skladování
- V případě katastrofy nebo vyšší moci.

Skutečný rozsah dodávky se může lišit od vysvětlivek a obrázků v tomto návodu po zapracování nových technických změn.

Platí povinnosti stanovené ve smlouvě o dodávce, naše všeobecné obchodní podmínky, dodací podmínky výrobce a zákonné předpisy platné v době uzavření smlouvy.

## 1.5. AUTORSKÉ PRÁVO

Obsah tohoto návodu je chráněn autorským právem. Může být použit v souvislosti s obsluhou systému. Jakékoli jiné použití nad rámec výše uvedeného je povoleno pouze s písemným souhlasem výrobce.

## 1.6. NÁHRADNÍ DÍLY



### VAROVÁNÍ!

CS

- Riziko poranění v důsledku použití nesprávných náhradních dílů!
- Použití nesprávných nebo vadných náhradních dílů může mít za následek rizika pro obsluhu a vést k poškození, poruchám nebo úplnému selhání výrobku.
- Používejte pouze originální náhradní díly od výrobce nebo náhradní díly schválené výrobcem.
- V případě pochybností se vždy poraďte s výrobcem.



### ZTRÁTA ZÁRUKY

- Záruka výrobce zaniká, pokud jsou použity neschválené náhradní díly.

## 1.7. ZÁRUČNÍ PODMÍNKY

Záruční podmínky jsou součástí všeobecných obchodních podmínek výrobce.

Tyto podmínky jsou zákazníkům k dispozici nejpozději od uzavření smlouvy.

## 1.8. ZÁKAZNICKÝ SERVIS

Neváhejte nám poskytnout informace a zkušenosti získané při používání; uvítáme jakékoli cenné informace, které pomohou vylepšit naše výrobky.

# 2. BEZPEČNOST

Tato kapitola poskytuje přehled všech důležitých bezpečnostních hledisek, zajištění ochrany vašich zaměstnanců a bezpečného a bezproblémového provozu zařízení. Další bezpečnostní informace týkající se konkrétních úkolů lze nalézt v kapitolách o jednotlivých fázích životního cyklu.

## 2.1. ÚČEL POUŽITÍ

Panel lze použít pouze pro stanovené standardní plyny a tlaky při dodržení daného teplotního rozsahu. Maximální průtok je 20 m<sup>3</sup>/h. K určenému použití patří také dodržování všech informací v tomto návodu a plnění oprav, údržby, shoda s typovým štítkem a datovými listy. Jakékoli jiné použití, které je nad rámcem zamýšleného použití, je nesprávné.



## VAROVÁNÍ!

- **Nebezpečí při nesprávném použití!**
- Nesprávné používání výrobku může vést k nebezpečným situacím.
- Nikdy nepoužívejte panel s kapalinami.
- Nikdy nepřipojujte zdroje s vyšším vstupním tlakem, než je určeno pro příslušný ovládací panel tlaku.

## 2.1.1. KONSTRUKČNÍ ZMĚNY PANELU

Bez písemného souhlasu dodavatele nejsou na výrobku povolena žádná rozšíření, doplnění nebo změny.

Součásti, které nejsou v perfektním stavu, je třeba okamžitě vyměnit.

Čištění panelu a likvidace zbytků

Použitě díly, které jsou připraveny k opravě, musí být předtím propláchnuty inertním plynem.

Vznik hluku

V některých případech může při provozu vzniknout hluk, buď samotným plynem nebo vzájemným působením průtoku při určitém tlaku. Pokud k tomu dojde, kontaktujte dodavatele.

## 2.2. ZÁKLADNÍ RIZIKA

Následující část se zabývá zbytkovými riziky, která mohou nastat, i když je panel správně používán.

Dodržujte níže uvedené bezpečnostní pokyny tohoto návodu, aby se snížila rizika poranění, poškození majetku a zabránilo vzniku nebezpečným situacím.



## NEBEZPEČÍ!

- **Plyny mohou ohrozit život!**  
Plyny mohou nahradit kyslík ve vzduchu a tato situace může způsobit smrt udušením. Kyslík má silný oxidační účinek.

PROTO:

- Je naprosto nezbytné dostatečné větrání.
- Instalaci smí provádět pouze certifikovaná společnost.
- Dodržujte směrnici ATEX.



## POZOR!

- **Nebezpečí poranění způsobené okolním prostředím!**  
V důsledku kondenzace a/nebo námrazy může dojít k poruchám výrobku.

PROTO:

- Dodržujte vhodné teploty.
- Chraňte výrobek před vnějším působením kapalin.
- Chraňte výrobek před vnějším působením prachu.
- Chraňte výrobek před povětrnostními podmínkami.
- Proveďte správné uzemnění.



## VAROVÁNÍ!

- **Riziko poranění v důsledku použití oleje a tuku!**  
Olej a tuk nesmí být nikdy používány v systémech regulace plynu. Olej a tuk jsou vysoce hořlavé a mohou prudce reagovat s některými plyny.

PROTO:

- Nikdy nepoužívejte olej a tuk.

CS



## VAROVÁNÍ!

- **Nebezpečí zranění zbytkovým tlakem v redukčním ventilu!**

Při nesprávném zacházení nebo manipulací s výrobkem se mohou některé části vlivem vysokého tlaku uvolnit a způsobit vážná či smrtelná zranění.

*PŘED ZAHÁJENÍM PRÁCE S TĚMITO VÝROBKY:*

- Instalaci smí provádět pouze certifikovaná společnost.
- Při práci vždy používejte ochranné brýle.
- Vždy noste ochranu sluchu.
- Ujistěte se, že zařízení není pod tlakem a zbytkový tlak je odvětrán.
- Vždy zajistěte, aby plyn nemohl samovolně unikat.
- Zajistěte, aby vadné komponenty, které jsou během provozu pod tlakem, byly okamžitě vyměněny školeným personálem.



## VAROVÁNÍ!

- **Nebezpečí úrazu!**

V důsledku nesprávné instalace může dojít k vážným nebo dokonce smrtelným zraněním.

*PROTO:*

- Během instalace by měl být výrobek udržován v bezpečí.
- Nikdy výrobek nevyhazujte.

Komponenty pod tlakem jsou pouze pro určené použití.

Pokud dojde k mechanickému poškození potrubí nebo výrobku, musí být celý systém uveden do bezpečného stavu. Zasažená oblast musí být zablokována. Problémy, které by mohly ovlivnit bezpečnost, musí být odstraněny kvalifikovaným personálem nebo dodavatelem.

Zejména by mohlo dojít k selhání redukčního ventilu. Projevem vadného ventilu je nulový průtok nebo přímo rostoucí výstupní tlak. V takovém případě musí být systém vypnut a musí být informováno příslušné oddělení údržby. Nikdy nezavírejte odpadní potrubí.

## 2.3. ODPOVĚDNOST PROVOZOVATELE

### *PROVOZOVATEL*

Provozovatel je osoba, která provozuje systém pro komerční nebo obchodní účely, nebo která poskytuje systém pro použití/aplikaci třetí stranou, a která nese právní odpovědnost za výrobek pro ochranu uživatele, personálu nebo třetích stran během provozu.

### *POVINNOSTI PROVOZOVATELE*

Výrobek je používán pro komerční účely. Provozovatel systému proto podléhá zákonným povinnostem v oblasti bezpečnosti práce.

Kromě bezpečnostních informací v tomto návodu je povinné dodržování předpisů o bezpečnosti, prevenci nehod a ochraně životního prostředí, které se vztahují k používání výrobku.

### *PLATÍ ZEJMÉNA NÁSLEDUJÍCÍ USTANOVENÍ:*

- Provozovatel si musí být vědom příslušných předpisů v oblasti bezpečnosti práce a musí provést posouzení rizik, aby identifikoval ta, která mohou nastat v důsledku specifických pracovních podmínek v místě, kde je výrobek provozován. Provozovatel musí toto posouzení použít jako základ pro sestavení pokynů pro provoz výrobku.
  - Po celou dobu provozu ventilu musí provozovatel zajistit, aby byl tento návod k použití v souladu s nejnovějšími předpisy a v případě potřeby musí návod aktualizovat.
  - Provozovatel musí stanovit jasnou a konkrétní odpovědnost za instalaci, provoz, odstraňování problémů, údržbu a čištění.
  - Provozovatel musí zajistit, aby si všichni zaměstnanci, kteří pracují s ventilem, přečetli tyto pokyny a porozuměli jim. Provozovatel musí také zajistit, aby byli tito zaměstnanci pravidelně školeni a aby si byli vědomi rizik.
  - Provozovatel musí personálu poskytnout potřebné ochranné pomůcky a zajistit, jejich používání.
- Provozovatel je navíc odpovědný za zajištění plné technické spolehlivosti systému za všech okolností.

### *PROTO PLATÍ*

- Provozovatel musí zajistit dodržování intervalů údržby uvedených v tomto návodu.
- Provozovatel musí zajistit, aby veškeré bezpečnostní zařízení bylo pravidelně kontrolováno z hlediska

funkční spolehlivosti a úplnosti.

## 2.4. POŽADAVKY NA PERSONÁL

### 2.4.1. KVALIFIKACE

Různé úkoly popsané v tomto návodu představují odlišné požadavky, pokud jde o kvalifikaci pracovníků pověřených plněním těchto úkolů.



#### VAROVÁNÍ!

- **Nebezpečí v případě nedostatečné kvalifikace personálu!**
- Nedostatečně kvalifikovaní pracovníci nejsou schopni posoudit rizika spojená se systémem a mohou vystavit sebe i ostatní riziku vážného nebo smrtelného zranění.
- Zajistěte, aby všechny práce prováděli pouze pracovníci kvalifikovaní pro konkrétní úkol.
- Držte nedostatečně kvalifikované osoby mimo pracovní prostor.

Práce musí být vždy přiděleny pouze osobám, kterým lze důvěřovat, že budou práce provádět spolehlivě.

Osoby se sníženými reakcemi, např. v důsledku požití drog, alkoholu nebo léků, nesmí mít povoleno vykonávat práce.

Tento návod definuje níže uvedené kvalifikace, které jsou nezbytné pro příslušné úkoly:

#### PLYNOVÝ INŽENÝR:

Má odborné školení, dovednosti, zkušenosti a znalosti v oblasti příslušných norem a předpisů pro provádění prací na plynových zařízeních a pro identifikaci potenciálních rizik. Plynový inženýr jsou školeni konkrétně pro místo, kde pracují, a jsou obeznámeni se všemi příslušnými normami a předpisy.

#### TECHNIK

Má odborné školení, dovednosti, a zkušenosti a znalosti v oblasti příslušných norem a předpisů pro plnění přidělených pracovních úkolů a pro identifikaci a vyloučení potenciálních rizik.

### 2.4.2. NEOPRÁVNĚNÝ PERSONÁL



#### VAROVÁNÍ!

- **Rizika spojená a s pobytém neoprávněných osob na nebezpečných pracovištích mohou být životu nebezpečná!**
- Neoprávněným osobám bez kvalifikace, které jsou popsány v této kapitole (nejsou obeznámeny s riziky v pracovním prostoru), hrozí vážné nebo dokonce smrtelné zranění.
- Neoprávněné osoby držte mimo nebezpečný pracovní prostor.
- V případě pochybností se obraťte na jednotlivce a nařídte jim opustit nebezpečný prostor.
- Zastavte jakoukoli práci, dokud se nepovolane osoby nacházejí v nebezpečném prostoru.

### 2.4.3. ŠKOLENÍ

Provozovatel musí personál pravidelně školit. Protokol o školení musí být veden pro lepší sledování a musí obsahovat alespoň tyto informace:

- Datum školení.
- Jména školených pracovníků.
- Obsah školení.
- Jméno školitele.
- Podpisy školených pracovníků a školitele.

## 2.5. OSOBNÍ OCHRANNÉ PRACOVNÍ POMŮCKY

Osobní ochranné pomůcky chrání pracovníky před nebezpečím a zdravotními riziky při práci.

Práce související s činností a provozem systému vyžadují používání osobních ochranných pracovních pomůček, které jsou podrobněji popsány v jednotlivých kapitolách tohoto návodu.

---

## DÝCHACÍ PŘÍSTROJ



Chrání před škodlivými plyny, výpary, prachem a podobnými materiály a látkami. Dýchací přístroj (např. respirátor na stlačený vzduch) se musí použít, pokud není zaručen obsah kyslíku v okolním vzduchu alespoň 17% nebo pokud je mezní hodnota nebezpečné látky v okolním vzduchu překročena více než 100krát. Dýchací přístroje mohou nosit pouze osoby, které byly speciálně vyškoleny v používání.

---

## DÝCHACÍ PŘÍSTROJ, ZÁVISLÝ NA PROUDĚNÍ VZDUCHU



Chrání před škodlivými plyny, výpary, prachem a podobnými materiály a látkami. Dýchací přístroj se musí použít, je-li přípustná hodnota nebezpečných látek překročena 100krát. Dýchací přístroj lze použít pouze tehdy, pokud je naměřený obsah kyslíku v okolním vzduchu nejméně 17%.

---

## OCHRANNÉ BRÝLE



Chrání oči před částmi ve vzduchu a stříkající kapalinou.

---

## RUKAVICE ODOLNÉ VŮČI CHEMICKÝM LÁTKÁM



Chrání ruce před agresivními látkami. Před použitím se ujistěte, že ochranné rukavice jsou nepropustné. Před sejmutím rukavic je očistěte a poté uložte na dobře větraném místě.

---

## OCHRANNÉ RUKAVICE



Chrání ruce před odřením, poškrábáním, píchnutím nebo hlubším zraněním a kontaktem s horkými nebo studenými povrchy.

---

## OCHRANA SLUCHU



Chrání sluch před nadměrným hlukem.

CS

---

## 2.6. CHOVÁNÍ V PŘÍPADĚ POŽÁRU NEBO NEHODY

### PREVENTIVNÍ OPATŘENÍ

- Budte vždy připraveni řešit požáry a nehody!
- Zařízení první pomoci (lékárníčka, příkrývky atd.) a hasicí přístroje udržujte na pracovišti v provozuschopném stavu.
- Seznamte pracovníky se zprávami o nehodách, první pomoci a s nouzovými postupy.
- Udržujte přístupové cesty volné pro vozidla havarijní zásahové služby.

### OPATŘENÍ V PŘÍPADĚ POŽÁRU NEBO NEHODY

- Pokud není ohrožena vaše vlastní bezpečnost, odved'te osoby z nebezpečného prostoru.
- V případě potřeby poskytněte první pomoc.
- Upozorněte hasičský sbor a/nebo havarijní zásahovou službu.
- V případě požáru: Pokud není ohrožena vaše vlastní bezpečnost, použijte hasicí zařízení k hašení požáru až do příjezdu hasičského sboru.
- Informujte odpovědnou osobu v místě.
- Ujistěte se, že přístupové cesty jsou volné pro vozidla havarijní zásahové služby.
- Nasměrujte vozidla havarijní zásahové služby.

## 2.7. OCHRANA ŽIVOTNÍHO PROSTŘEDÍ

## ! POZNÁMKA!

- **Riziko znečištění životního prostředí nesprávnou manipulací s látkami, které jsou nebezpečné pro životní prostředí!**
- K závažnému poškození životního prostředí může dojít nesprávnou manipulací a likvidací nebezpečných látek.
- Vždy dodržujte níže uvedené informace o manipulaci a likvidaci látek, které jsou nebezpečné pro životní prostředí.
- Při náhodném úniku takových látek do životního prostředí podnikněte okamžitá opatření. V případě pochybností informujte místní úřady o škodě a informujte se o vhodných opatřeních, která mají být přijata.

## 2.8. ZNAČENÍ

### ! VAROVÁNÍ!

- **Nebezpečí v důsledku nečitelných značek!**
- Štítky a značky mohou být časem, vlivem znečištění nebo z jiného důvodu, nečitelné, čímž se zabrání rozpoznání rizik a dodržování požadovaných provozních informací. To by mohlo vést k zranění.
- Zajistěte, aby všechny bezpečnostní, výstražné a provozní informace byly vždy čitelné.
- Poškozené značky nebo štítky okamžitě vyměňte.

### 2.8.1. PŘÍKAZOVÉ ZNAČKY

- Žádné značky

### 2.8.2. ZÁKAZOVÉ ZNAČKY

- Žádné značky

### 2.8.3. VÝSTRAŽNÉ ZNAČKY



POZOR TLAKOVÉ LAHVE



NEBEZPEČÍ VÝBUCHU

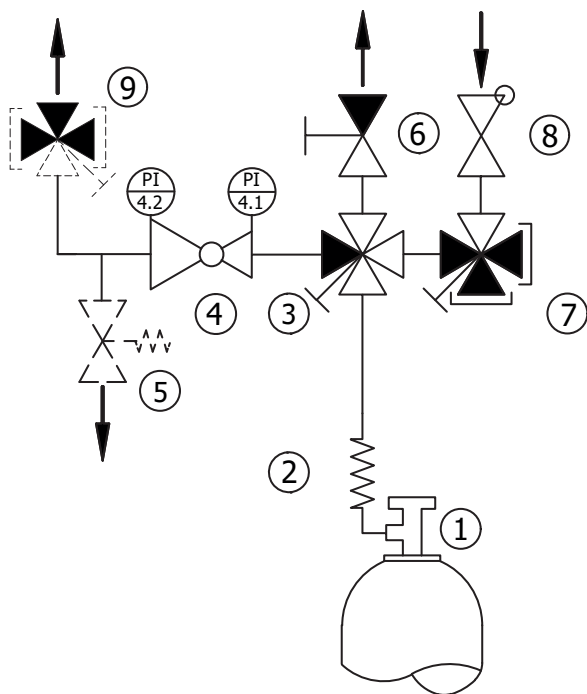


POZOR TOXICKÉ LÁTKY

CS

### 3. TECHNICKÉ ÚDAJE

#### 3.1. SCHÉMA PRŮTOKU – S300/S200/S60



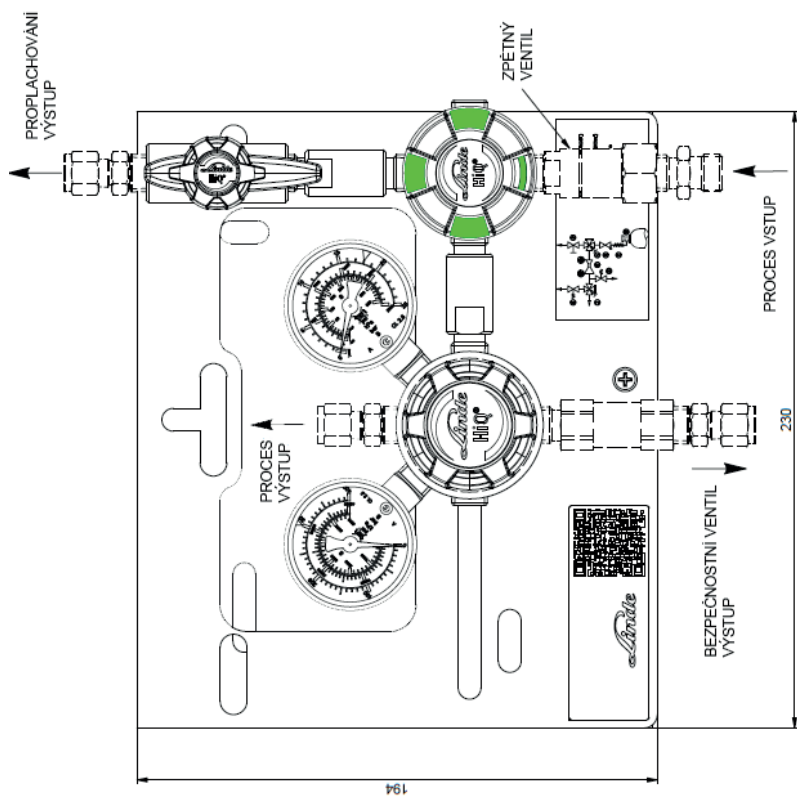
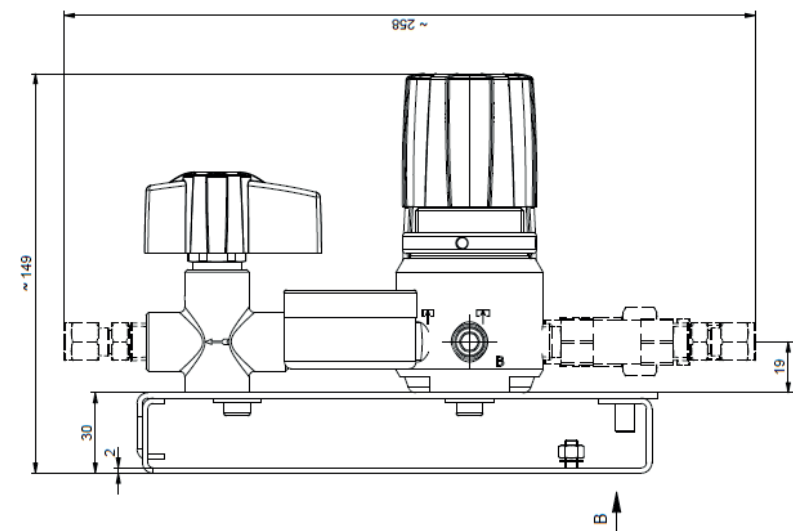
CS

- 1 – PLYNOVÁ LAHEV
- 2 – TRUBKOVÁ SPIRÁLA
- 3 – UZAVÍRACÍ VENTIL (3X VSTUP, 1X VÝSTUP)
- 4 – REDUKČNÍ VENTIL S MANOMETREM VSTUPU/VÝSTUPU
- 5 – BEZPEČNOSTNÍ VENTIL / TLAKOVÁ POJISTKA, (OPT.)
- 6 – PROPLACHOVACÍ VENTIL NA VÝSTUPU
- 7 – PROPLACHOVACÍ VENTIL NA VSTUPU (1X VSTUP, 3X VÝSTUP)
- 8 – ZPĚTNÝ VENTIL
- 9 – UZAVÍRACÍ VENTIL (1X VSTUP, 3X VÝSTUP)

Alternativy jsou znázorněny tečkovanou čarou

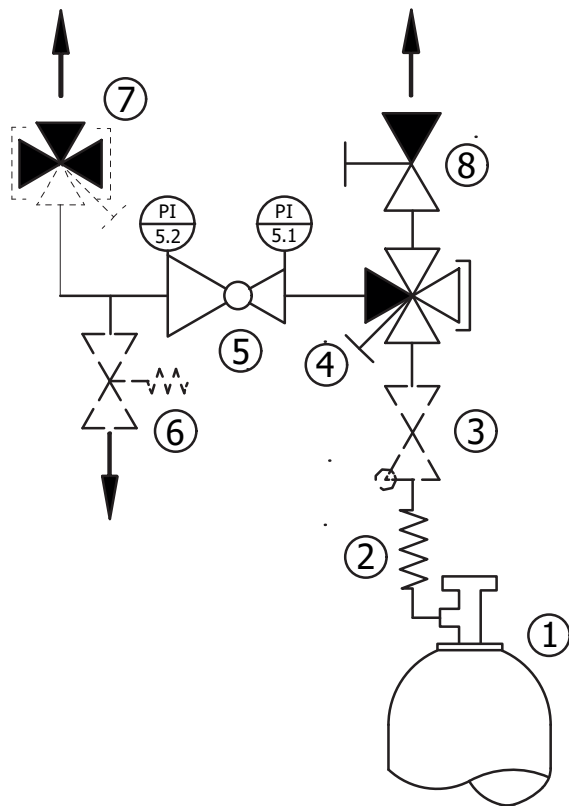


### 3.2. ROZMĚROVÝ LIST – S300/S200/S60



CS

### 3.3. SCHÉMA PRŮTOKU – S203

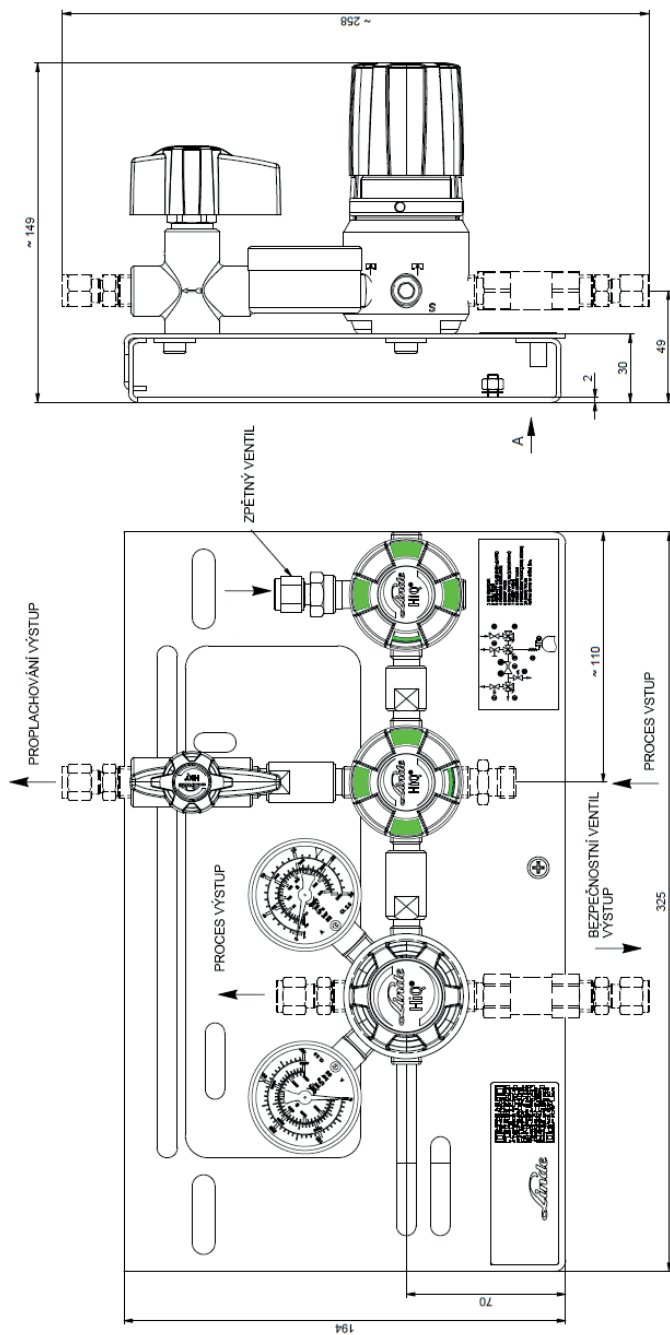


CS

- 1 – PLYNOVÁ LAHEV
- 2 – TRUBKOVÁ SPIRÁLA
- 3 – ZPĚTNÝ VENTIL (OPT.)
- 4 – UZAVÍRACÍ VENTIL (3X VSTUP, 1X VÝSTUP)
- 5 – REDUKČNÍ VENTIL S MANOMETREM VSTUPU/VÝSTUPU
- 6 – BEZPEČNOSTNÍ VENTIL / TLAKOVÁ POJISTKA, (OPT.)
- 7 – UZAVÍRACÍ VENTIL (1X VSTUP, 3X VÝSTUP), (OPT.)
- 8 – PROPLACHOVACÍ VENTIL NA VÝSTUPU

Alternativy jsou znázorněny tečkovanou čarou

### 3.4. ROZMĚROVÝ LIST – S203



CS

### 3.5. OBECNÉ ÚDAJE

Údaj	S300/S200/S60-BC	S300/S200/S60-SS
max. hmotnost [kg]	5,25	8,57
Délka [mm]	230	230
Hloubka [mm]	150	150
Výška [mm]	194	194

Údaj	S203-SS
max. hmotnost [kg]	6,97
Délka [mm]	325
Hloubka [mm]	150
Výška [mm]	194

### 3.6. PŘIPOJOVACÍ ROZMĚRY

Údaj	Hodnota	Jednotka
Vstup	NPT 1/4" samice k dispozici několik adaptérů	metrický palce
Výstup	1/8", 1/4", 3/8", 1/2" 3, 6, 8, 10, 12	palce, NPT vnitřní Armatura v mm
Pojistný ventil / proplachovací ventil na výstupu (pokud existuje)	1/4", 3/8", 1/2" 6, 8, 10, 12	palce, NPT vnitřní Armatura v mm
Bezpečnostní ventil	NPT 1/2" vnitřní	palce

CS

### 3.7. PRŮTOK REDUKČNÍM VENTILEM

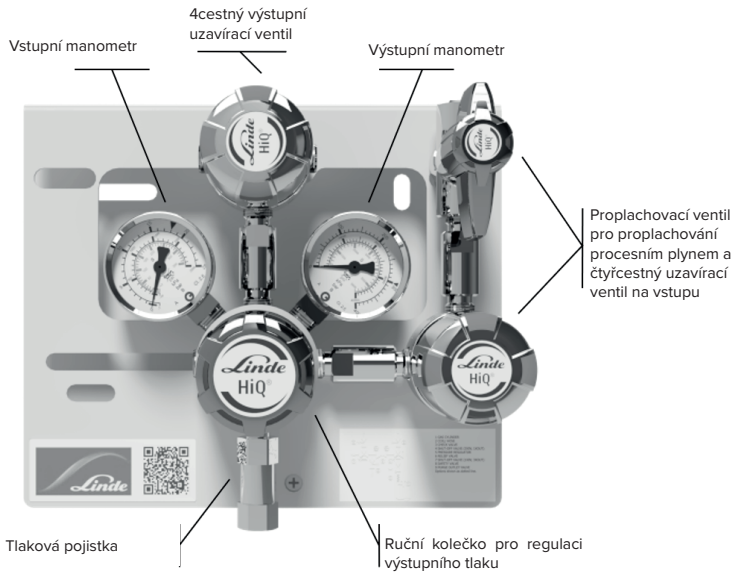
Údaj	Hodnota	Jednotka
Jmenovitý průtok	20 (vzduch)	m <sup>3</sup> /h
Vstupní tlak (max.)	S300: 300 S203: 200 S200: 200 S60: 60	bar
Výstupní tlak (max.)	200	bar

### 3.8. PROVOZNÍ PODMÍNKY

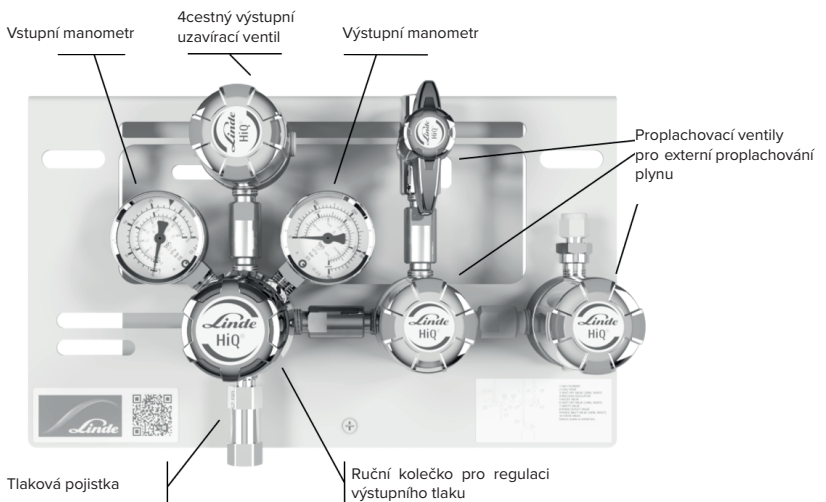
Údaj	Hodnota	Jednotka
Teplotní rozsah	-20 až +60	°C
Relativní vlhkost (max.)	98	%

## 4. NASTAVENÍ A FUNKCE

### 4.1. PŘEHLED – S300/S200/S60



### 4.2. PŘEHLED – S203



### 4.3. STRUČNÝ POPIS

Panel typu **S300/S200/S60-BC..** (materiál: chromovaná mosaz) lze použít pro průmyslový, netoxický a nekorozivní plyn nebo směs plynů, které jsou skladovány uvnitř plynové láhve nebo svazku a snižuje tlak z maximálního tlaku až 300 bar na tlak v potrubí (3 bar, 6 bar, 10 bar, 14 bar, 28 bar, 50 bar, 100 bar, 200 bar).

CS

Panel typu **S300/S200/S60/S203-SS...**(materiál: **nerezová ocel**) lze použít pro další toxické a korozivní plyny, které jsou skladovány v plynové láhvi nebo svazku a snižuje maximální tlak v potrubí 300 bar (3 bar, 6 bar, 10 bar, 14 bar, 28 bar, 50 bar, 100 bar, 200 bar).

Pojistný ventil v redukčním ventilu chrání panel proti přetlakování výstupu v důsledku úniku v sedle redukčního ventilu.

Dalšími částmi panelu mohou být uzavírací ventil na výstupu, bezpečnostní ventil a/nebo zpětný ventil.

Skutečný vstupní a výstupní tlak panelu je zobrazen na manometrech. Pro vstupní a výstupní tlak je možné použít kontaktní měřidla.

Pokud má panel možnost proplachování procesním plynem, provádí se před prvním uvedením do provozu, aby se odstranily nečistoty. Kromě toho je možné před výměnou láhve odtlakovat vysokotlaké části.

Pokud má panel možnost proplachování inertním plynem (S203), mohou být vysokotlaké

strany panelu propláchnuty s cílem odstranit nečistoty před prvním uvedením do provozu nebo před výměnou láhve nebo svazku. Verze panelu s proplachováním inertním plynem je k dispozici pouze v nerezové oceli.

Popsané panely jsou namontovány na nerezové desce. Díky rozměrům desky jsou všechny komponenty chráněny před poškozením uvnitř obalu, během přepravy a v namontovaném stavu.

Konstrukce se dvěma deskami umožňuje snadnou montáž s menší hmotností.

Výřezy v přední desce umožňují výměnu manometru bez nutnosti demontáže celého panelu. Na zadní desce jsou na obou stranách otvory pro připojení hadic karabinou. Na zemnicí desce najdete šroub pro připojení uzemnění.

Vývoj, konstrukce a testování výroby je v souladu s následujícími normami:

- Redukční ventily - ISO 7291
- Uzavírací ventily - ISO 10297
- Manometry EN 837-1
- Mechanická prevence výbuchu kompletního panelu ISO80079-36; IEC 60079-32-1; TRGS 727

## 5. DOPRAVA, BALENÍ A SKLADOVÁNÍ

CS



### TIPY A DOPORUČENÍ

- Instalaci a uvedení do provozu panelu obvykle provádí dodavatel nebo pověřený personál.
- Uživatel nebo pracovník údržby se postará o likvidaci použitého obalu. Respektujte následující poznámky.

### 5.1. BEZPEČNOSTNÍ INFORMACE PRO PŘEPRAVU



#### POZNÁMKA!

- **Škody způsobené nevhodnou přepravou!**
- Při nesprávné přepravě mohou zásilky spadnout nebo se převrátit. To může způsobit značné škody na majetku.
- Po dodání zásilky postupujte opatrně a dodržujte symboly a varování na obalu.
- Používejte pouze schválené upevňovací body.
- Neodstraňujte obal, dokud nebudete připraveni provést montáž.

### 5.2. KONTROLA PŘI PŘEPRAVĚ

Po dodání ihned zkontrolujte, zda je zásilka kompletní a nebyla poškozena během přepravy.

Postup při zjištění viditelného poškození při přepravě:

- Odmítněte přijetí zásilky nebo ji přijměte pouze s výhradou.
- Zaznamenejte rozsah poškození v přepravní dokumentaci nebo na dodacím listu dopravce.
- Podejte stížnost.



### TIPY A DOPORUČENÍ

- Hlaste každou vadu, jakmile ji zjistíte. Nároky na náhradu škody lze uplatnit pouze ve stanovených lhůtách.

## 5.3. BALENÍ

Jednotlivé zásilky jsou baleny podle předpokládaných přepravních podmínek. Všechny obaly jsou bez výjimky vyrobeny z ekologického materiálu.

Obal slouží k ochraně jednotlivých výrobků před poškozením při přepravě, korozi a jiným poškozením, dokud nejsou připraveny k instalaci. Obal proto neničte; odstraňte jej až těsně před montáží.



### POZNÁMKA!

- **Nebezpečí poškození životního prostředí nesprávnou likvidací!**
- Obalové materiály jsou cennými surovinami. V mnoha případech mohou být znovu použity nebo recyklovány. Nesprávná likvidace obalových materiálů může poškodit životní prostředí.
- Likvidujte obalové materiály šetrným způsobem k životnímu prostředí.
- Dodržujte místně platné předpisy pro likvidaci. V případě potřeby objednejte specializovanou likvidační firmu.

## 5.4. SKLADOVÁNÍ

Balíky skladujte za následujících podmínek:

- Neskladujte venku.
- Skladujte na suchém a bezprašném místě.
- Nevystavujte agresivním látkám.
- Chraňte před slunečním zářením.
- Chraňte výrobek před mechanickými nárazy.
- Skladovací teplota: 15 až 35 °C.
- Relativní vlhkost: max. 60 %.
- Při skladování po dobu delší než 3 měsíce pravidelně kontrolujte celkový stav všech částí a obalu. Je-li to nutné, znovu aplikujte nebo obnovte ochranu proti korozi.



### TIPY A DOPORUČENÍ!

- Některé obaly mohou být opatřeny štítky s informacemi o skladování, které přesahují tyto požadavky. Respektujte tyto poznámky.

CS

# 6. INSTALACE A PRVNÍ UVEDENÍ DO PROVOZU

## 6.1. BEZPEČNOSTNÍ POZNÁMKY PRO INSTALACI A PRVNÍ UVEDENÍ DO PROVOZU

### PERSONÁL

Instalaci a první uvedení systému do provozu smí provádět pouze kvalifikovaný pracovník.

## 6.2. PŘÍPRAVA

### VYBALENÍ

- Výrobek vyjměte z obalu opatrně a obezřetně.
- Odstraňte další ochranné obaly.
- Zkontrolujte všechny součásti, zda nevykazují známky poškození způsobené přepravou.

### SNÍŽENÍ TLAKU

- Odtlakujte součásti a v případě potřeby propláchněte inertním plynem.
- Odřízněte trubky speciálním nástrojem; zabraňte znečištění (špína, třísky atd.)
- Zkontrolujte stav výrobku a čistotu přípojek.

## 6.3. INSTALACE

Instalaci a první uvedení do provozu smí provádět pouze kvalifikovaný personál.

Namontujte zadní desku panelu do výšky 164 cm. Zavěste přední desku na zadní desku a zajistěte dodaným šroubem dole uprostřed. Připojte uzemnění na zemnicí desku.

Panel je montován s výstupními tlakovými spojkami, pojistným ventilem, proplachovacími vstupy a výstupy, pokud existují, připojeným bezpečnostním a/nebo zpětný ventil.

Nejprve odstraňte plastové uzávěry ze všech přípojek. Zasuňte potrubí zcela do tlakové spojky.

Potom pevně rukou zašroubujte matici. Poté ji pevně utáhněte stavitelným klíčem o 1/4 otáčky.

Stejným způsobem připojte trubku k pojistnému ventilu. Není dovoleno spojovat trubky z proplachu o odpojistného ventilu. Musí být vedeny samostatně a bezpečně ven.

Pro připojení plynové láhve k panelu jsou vhodné trubkové spirály a ohebné hadice (dostupné příslušenství). Trubkové spirály z nerezové oceli nebo ohebné hadice se dodávají vždy samostatně.

Provedte správnou volbu s ohledem na použitý plyn. Na přípojovací matici je vidět typ lahvového připojení.

Použijte pouze jeden typ trubkových spirál/hadic pro jejich připojení k pravé a levé straně panelu.

Při montáži trubkové spirály/hadice odstraňte plastové uzávěry ze závitů. Ujistěte se, že je vloženo těsnění, které je součástí dodávky. Vstupní matici připojte pevně ke vstupu do panelu, utáhněte rukou, a poté dotáhněte stavitelným klíčem.

Pro spojení trubkové spirály/hadice s plynovou lahví musí být závit lahvového ventilu a matice v perfektním stavu. Kdykoli připojíte novou plynovou lahev, použijte nové těsnění.

Použijte pouze trubkové spirály a hadice od výrobce, které jsou vhodné pro použité plyny. Zkontrolujte těsnění a správnou polohu v přípojovacím závitě trubkové spirály/hadice. Používání nástavce ke klíči není dovoleno, může způsobit poškození závitů a těsnění a může vést k netěsnosti.

## 6.4. POŽADOVANÁ KVALIFIKACE PRO PRVNÍ UVEDENÍ DO PROVOZU A VÝMĚNU LAHVI

- Pro potrubí musí být k dispozici protokol ohledně jeho těsnosti, případně obsahu vlhkosti a mechanických částic.
- Připojte trubku procesního plynu, pojišťovacího ventilu, potrubí proplachovacího plynu, zpětného a pojistného ventilu, pokud existují.
- V potrubí procesního plynu je pouze standardní plyn (viz 1.2).
- Uvedení do provozu provádí pouze kvalifikovaná osoba.
- Používejte ochranné pomůcky podle předpisů.
- Používejte nástroje, které netvoří jiskry a zajistěte je před instalací.
- Před prvním uvedením do provozu zkontrolujte typový štítek, zda je redukční ventil vhodný pro daný účel (plyn, tlak, materiál atd.).

## 6.5. PRVNÍ UVEDENÍ DO PROVOZU

- Splňte všechny požadavky v bodě 6.4.
- Panel je bez tlaku, ruční kolečko je zcela otočeno doleva (proti směru chodu hodinových ručiček).
- Všechny ventily na panelu jsou uzavřeny.



### VAROVÁNÍ!

- Ujistěte se, že komponenty panelu nejsou vystaveny hladinám tlaku, které překračují jejich příslušný povolený jmenovitý tlak.
- Zajistěte, aby nikdo nemohl být zraněn při prvním uvedení panelu do provozu.

### 6.5.1. PROPLACHOVÁNÍ PROCESNÍM PLYNEM (S300/S200/S60)

Panely s proplachováním procesním plynem jsou použity k tomu, abychom dostali atmosférický vzduch z částí panelu dříve, než vyměníme lahev nebo pokud chceme odtlakovat trubkovou spirálu nebo hadici před výměnou láhve.

1. Ventil pro profukování procesního plynu je zavřený, přepínač je příčný ke směru proudění (2-portový ventil).
2. Redukční ventil je odtlakovaný (zavřený).
3. Zavřete přírodní uzavírací ventil, červené označení je viditelné (čtyřportový ventil).
4. Nyní je vstupní uzavírací ventil uzavřen právě ve směru do redukčního ventilu. Cesta proplachovacím ventilem je otevřená.
5. Pomalu otevřete lahvový uzavírací ventil.
6. Procesní plyn proudí do trubkové spirály/hadice.
7. Zavřete lahvový uzavírací ventil.
8. Otevřete krátce proplachovací ventil na výstupu a nechte vytéct plyn ze spirály/hadice.
9. Poté ihned zavřete proplachovací ventil na výstupu.

*OPAKUJTE KROKY 4 - 9. MINIMÁLNĚ 10 KRÁT*



## 6.5.2. PROPLACHOVÁNÍ INERTNÍM PLYNEM (S203)

Panely s proplachováním vnějším plynem jsou použity k výplachu toxického nebo korozivního plynu z trubkové spirály nebo hadice před výměnou láhve. Ujistěte se, že je připojena hadice pojistného ventilu.

1. Zkontrolujte, zda je správně připojen vstup a výstup proplachovacího plynu, vstup procesního plynu, a bezpečnostního ventilu, pokud existuje, pojistný ventil
2. Zavřete všechny uzavírací ventily, je vidět červená značka (4 porty).
3. Zavřete redukční ventil otočením ručního kolečka proti směru ručiček.
4. Otevřete proplachovací ventil na vstupu.
5. Zavřete proplachovací ventil na vstupu. Plyn musí uvnitř komponenty zůstat po dobu několika sekund.
6. Krátce otevřete proplachovací ventil na výstupu a nechte vytéct plyn potrubím
7. Zavřete proplachovací ventil na výstupu

*OPAKUJTE KROKY 4.-7. MINIMÁLNĚ 10 KRÁT*

## 6.5.3. NAPLNĚTE POTRUBÍ NA PROCESNÍ PLYN PROCESNÍM PLYNEM

panelu je nezbytné propláchnutí procesním plynem (viz bod 6.5.1) nebo propláchnutí inertním plynem (viz bod 6.5.2). Z bezpečnostních důvodů doporučujeme připojit plynové potrubí k tlakové pojistce.

1. Zkontrolujte, zda jsou správně připojeny vstupy a výstupy proplachovacího plynu, vstupy procesního plynu, bezpečnostního ventilu, pokud existuje, a pojistný ventil a/nebo zpětné ventily.
2. Všechny uzavírací ventily jsou zavřené, je vidět červená značka (4 porty)
3. Otočte ruční kolečko redukčního ventilu až nadoraz proti směru ručiček – průchod je tím zavřený.
4. Pomalu otevřete lahvový uzavírací ventil.
5. Pomalu otevřete uzavírací ventily na vstupu do panelu.
6. Nastavte výstupní tlak pomocí ručního kola regulátoru otáčením ve směru hodinových ručiček
7. Panel je nyní v provozu.

*DOPORUČUJEME KONTROLOVAT PANEL A MANOMETRY KAŽDÝ DEN*

## 6.5.4. VÝMĚNA PRÁZDNÉ PLYNOVÉ LÁHVE



### POZNÁMKA!!

1. Zavřete lahvový uzavírací ventil.
2. Zavřete vstupní uzavírací ventil.
3. Otevřete proplachovací uzavírací ventil na výstupu pro odtlakování trubkové spirály/hadice.
4. S300/S200/S60: proplachování procesním plynem (viz bod 6.5.1)  
S203: proplachování inertním plynem (viz bod 6.5.2)
5. Zavřete uzavírací ventil na vstupu na straně prázdné láhve.
6. Demontujte trubkovou spirálu/hadici z plynové láhve.
7. Připojte novou plynovou lahev, **VŽDY** použijte nové těsnění.

*PŘED NOVÝM UVEDENÍM DO PROVOZU:*

8. S300/S200/S60: proplachování procesním plynem (viz bod 6.5.1)  
S203: proplachování inertním plynem (viz bod 6.5.2)
9. Naplňte trubkovou spirálu/hadici procesním plynem.

## 6.5.5. VYŘAZENÍ PANELU Z PROVOZU

Zavřete redukční ventil na panelu otáčením ručního kolečka proti směru hodinových ručiček.

Uzavřený redukční ventil nezaručuje těsnost.

Mohlo by dojít k úniku plynu hadicí nebo připojeným spotřebičem.

Z bezpečnostních důvodů vždy uzavřete lahvové uzavírací ventily.

*POKUD SE PANEL KOMPLETNĚ DEMONTUJE, BERTE NA VĚDOMÍ NÁSLEDUJÍCÍ:*



## VAROVÁNÍ!

- Při výměně tlakových lahví s toxickým nebo korozivním plynem zvažte osobní bezpečnostní opatření (ochrana dýchání, ochrana očí, ochranné oděvy).
- V takovém případě je nezbytné dodržovat veškeré platné hygienické předpisy zejména zákon č. 258/2000 Sb. o ochraně veřejného zdraví v platném znění včetně platných vyhlášek a nařízení a zákon č. 356/2003 Sb. o chemických látkách a přípravcích v platném znění včetně platných vyhlášek a nařízení. Použijte správný filtr dýchacího přístroje.



## NEBEZPEČÍ!

- Spotřebičem snižte tlak v redukčním ventilu a potrubí.
- Vstupní a výstupní manometry ukazují „0“ bar.
- V případě potřeby proveďte profukování zemním plynem nebo externím plynem.
- Použijte vhodné ochranné pomůcky.
- Bezpodmínečně mějte na paměti, že není dovoleno používat panel s vyšším než správným tlakem.
- Zajistěte, aby nikdo nebyl ohrožen vyřazením panelu z provozu.

## 6.6. TESTY

- Po natlakování by se měla prověřit kompletní funkce panelu.
- Zkontrolujte pojistný ventil.
- Zkontrolujte všechny ventily.

## 7. PROVOZ

V kapitole 2.1 je definována funkce panelu.



## POZOR!!

- Uzavírací ventily otevírejte pomalu a opatrně, aby se zabránilo vzniku tlakových rázů v systému a poškození ostatních součástí!

CS

## 8. ÚDRŽBA

### 8.1. BEZPEČNOST PRÁCE PŘI ÚDRŽBĚ



#### POZNÁMKA!

- Údržbu smí provádět pouze dostatečně kvalifikované, vyškolené a oprávněné osoby (viz bod 2.4).

### 8.2. PLÁN ÚDRŽBY

Následující části textu popisují údržbu, kterou je třeba provést, aby byl zajištěn optimální a bezporuchový provoz redukčního ventilu.

Pokud pravidelné kontroly odhalí zvýšené opotřebení výrobku, musí být potřebné intervaly údržby zkráceny, aby odrazily skutečné opotřebení.

#### POZNÁMKA!

- Máte-li jakékoli dotazy týkající se údržby a jejich intervalů, kontaktujte výrobce.

Interval	Údržba	Personál
Týdenní	Vizuální kontrola redukčního ventilu.	Způsobilá osoba
Roční	Kontrola funkce a těsnosti, kontrola všech bezpečnostních komponentů.	Způsobilá osoba
Každých 10 let	Generální oprava a výměna všech součástí podléhajícímu rychlému opotřebení.	Způsobilá osoba

## 8.3. ÚDRŽBA

### 8.3.1. ČIŠTĚNÍ



#### POZNÁMKA!

- Všechny čisticí prostředky musí být kompatibilní s materiály instalovaného výrobku.

### 8.3.2. POŽADAVKY NA ÚDRŽBU

*PŘED ÚDRŽBOU ZKONTROLUJTE, ZDA:*

- Není k redukčnímu panelu připojen žádný přívod plynu.
- Je rozvod odtlakován.
- Je redukční panel bez tlaku.
- Jsou uzavírací ventily uzavřeny.
- Není uvnitř redukčního ventilu žádný procesní plyn.
- Je redukční panel propláchnut a naplněn inertním plynem.

### 8.3.3. NEZBYTNÁ ÚDRŽBA

- Zkontrolujte přesnost manometrů.
- Rozvod, redukční ventil, uzavírací ventily a manometry: zkontrolujte stav, funkci a označení.
- Zkontrolujte označení.
- Zkontrolujte korozi.
- Zkontrolujte funkci.
- Tlaková zkouška pracovního tlaku 1x po 12 hodinách.
- Opotřebená a vadná součásti musí být okamžitě vyměněny autorizovanou a kvalifikovanou společností.
- Uzavírací ventily jsou zkonstruovány podle ISO 10297, včetně zkoušky opotřebení na 2000 cyklů. Výměna vnitřních dílů po 2000 cyklů musí být provedena autorizovanou a kvalifikovanou společností.
- Pokud je na redukčním ventilu patrná netěsnost nebo koroze, musí být okamžitě vyměněn autorizovanou a kvalifikovanou společností.
- Po výměně součástí nebo trubek je třeba znovu provést zkoušku tlaku a těsnosti a vystavit protokol.

## 8.4. OPATŘENÍ PRO ÚDRŽBU

*PROVEĎTE NÁSLEDUJÍCÍ KROKY PO DOKONČENÍ ÚDRŽBY A PŘED UVEDENÍM DO PROVOZU:*

1. Ujistěte se, že z pracovního prostoru byly odstraněny všechny nástroje, materiály a další vybavení.
2. Vyčistěte pracovní prostor a odstraňte veškeré rozlité látky, např. kapaliny, zpracovaný materiál nebo podobné.
3. Ujistěte se, že součásti důležité z hlediska bezpečnosti dokonale fungují.

## 9. ODSTRAŇOVÁNÍ ZÁVAD

Následující kapitola popisuje možné příčiny závad a způsoby jejich odstranění.

Dochází-li k poruchám s rostoucí pravidelností, zkráťte intervaly údržby tak, aby odrážely skutečné zatížení.

Pokud dojde k poruše, kterou nelze pomoci následujících rad odstranit, obraťte se na výrobce.

### 9.1. BEZPEČNOST PRÁCE PŘI ODSTRAŇOVÁNÍ ZÁVAD

V případě poruchy musí být uzavírací ventily, které jsou připojeny k lahvi, ke zdroji tlaku nebo svazku plynu uzavřeny. Nikdy nepoužívejte zařízení s poruchou pod tlakem.

*CO DĚLAT V PŘÍPADĚ PORUCHY:*

1. Přerušte přívod plynu.
2. Odtlakujte redukční ventil a zavřete uzavírací ventil.
3. Poruchy smí odstranit pouze vyškolený technický personál.
4. Uvedte redukční ventil do původního stavu.

Popis	Důvod	Řešení	Ventil	Lahvový redukční ventil	Rozvodový redukční ventil	Panel pro přívod plynu
Žádný průtok (vstupní manometr vykazuje tlak, výstupní manometr nikoliv).	Tlakový regulátor je uzavřen.	Pomalu otvírejte redukční ventil. Uzavřete profukovací ventil.		<input checked="" type="checkbox"/>	<input checked="" type="checkbox"/>	<input checked="" type="checkbox"/>
Žádný průtok (vstupní a výstupní manometr ukazuje „0“).	Lahvový uzavírací ventil je uzavřen. Ventil prac. plynu uzavřen. Redukční ventil uzavřen. Spojovací trubka/hadice lahve nejsou připojeny.	Počáteční spuštění – viz bod 6. Instalace a počáteční spuštění.		<input checked="" type="checkbox"/>	<input checked="" type="checkbox"/>	<input checked="" type="checkbox"/>
Žádný průtok.	Ovládací kolečko je uzavřeno.	Pomalu otvírejte ovládacím kolečkem.	<input checked="" type="checkbox"/>			
Nárůst výstupního tlaku a otevření pojistky.	Netěsnost v sedle redukčního ventilu.	Oprava u výrobce.		<input checked="" type="checkbox"/>	<input checked="" type="checkbox"/>	<input checked="" type="checkbox"/>
Mírný nárůst výstupního tlaku, pojistka se neotvírá.	Pokles vstupního tlaku.	Žádná porucha, normální provozní stav.		<input checked="" type="checkbox"/>	<input checked="" type="checkbox"/>	<input checked="" type="checkbox"/>
Mírný nárůst výstupního tlaku.	Rozdíl mezi tlakem (za průtokem) a nulovým tlakem (bez průtokem plynu).	Žádná porucha, normální provozní stav.		<input checked="" type="checkbox"/>	<input checked="" type="checkbox"/>	<input checked="" type="checkbox"/>
Mírný pokles výstupního tlaku.	Rozdíl mezi tlakem (za průtokem) a nulovým tlakem (bez průtokem plynu).	Žádná porucha, normální provozní stav.		<input checked="" type="checkbox"/>	<input checked="" type="checkbox"/>	<input checked="" type="checkbox"/>
Silný pokles výstupního tlaku.	Požadovaný průtok je pro redukční ventil příliš vysoký.	Vyberte nový redukční ventil pro požadovaný tlak a průtok.		<input checked="" type="checkbox"/>	<input checked="" type="checkbox"/>	<input checked="" type="checkbox"/>

Popis	Důvod	Řešení	Ventil	Lahvový redukční ventil	Rozvodový redukční ventil	Panel pro přívod plynu
Silný pokles výstupního tlaku.	Netěsnost vedení pracovního plynu.	Zkontrolujte vedení prac. plynu.		<input checked="" type="checkbox"/>	<input checked="" type="checkbox"/>	<input checked="" type="checkbox"/>
Výstupní tlak je příliš vysoký.	Nesprávné nastavení redukčního ventilu.	Nastavte redukční ventil, přenastavte čas údržby.		<input checked="" type="checkbox"/>	<input checked="" type="checkbox"/>	<input checked="" type="checkbox"/>
Okamžitý nárůst výstupního tlaku v rozvodu nebo zvyšování výstupního tlaku pomalu na úroveň nad nastavenou hodnotou a pojistka se otevře.	Znečištění nebo poškození sedla redukčního ventilu „Creap“.	Oprava u výrobce.		<input checked="" type="checkbox"/>	<input checked="" type="checkbox"/>	<input checked="" type="checkbox"/>
Hluk při provozu.	Požadovaný průtok je pro redukční ventil příliš vysoký.	Vyberte nový redukční ventil pro požadovaný tlak a průtok.		<input checked="" type="checkbox"/>	<input checked="" type="checkbox"/>	<input checked="" type="checkbox"/>
Žádná změna tlaku při otáčení ovládacím kolečkem.	Závada kolečka kvůli příliš vysokému momentu, závada vřetene, závada závitů.	Oprava u výrobce.	<input checked="" type="checkbox"/>	<input checked="" type="checkbox"/>	<input checked="" type="checkbox"/>	<input checked="" type="checkbox"/>
Na redukčním ventilu se tvoří vlhkost (ŽÁDNÁ rosa, déšť či sníh).	Redukční ventil odebírá energii z prostředí expanzí plynu.	Žádná porucha, normální provozní stav.		<input checked="" type="checkbox"/>	<input checked="" type="checkbox"/>	<input checked="" type="checkbox"/>

Popis	Důvod	Řešení	Ventil	Lahvový redukční ventil	Rozvodový redukční ventil	Panel pro přívod plynu
Jinovatka na redukčním ventilu (ŽÁDNÁ rosa, déšť či sníh).	Redukční ventil odebírá energii z prostředí expanzí plynu, omezený výkon z tlakových nádrží plynu, např. N <sub>2</sub> O, CO <sub>2</sub> .	Žádná porucha, normální provozní stav POZOR: Mějte na paměti funkčnost kontaktních měřidel, zvyšte množství tlakových zdrojů plynu.		☑	☑	☑

Tato tabulka není vyčerpávající. V případě dotazů a nejednoznačností se prosím obraťte na výrobce. Kontaktní údaje jsou uvedeny v oddílu 1.8.

## 10. DEMONTÁŽ A LIKVIDACE

Dosáhne-li výrobek konce své životnosti, musí být demontován a zlikvidován šetrným způsobem k životnímu prostředí.

### 10.1. BEZPEČNOST PRÁCE PŘI DEMONTÁŽI A LIKVIDACI

CS



**VAROVÁNÍ!**

- **Nebezpečí zranění při nesprávné demontáži!**

*UCHOVÁNÍ ZBYTKOVÉHO TLAKU, VÝROBKY S OSTRÝMI HRANAMI, HROTY A ROHY V ROZVODU NEBO NA POŽADOVANÝCH NÁSTROJÍCH MOHOU ZPŮSOBIT ZRANĚNÍ.*

- Zajistěte dostatek místa pro práci.
- Buďte opatrní u ostrých hran.
- Věnujte pozornost pořádku a čistotě.
- Uvolněné součásti mohou způsobit nehody.
- Demontujte součásti správně. Mějte na paměti, že některé součásti jsou těžké. V případě potřeby použijte zvedací zařízení.
- Zajistěte součásti proti pádu nebo převrácení.

### 10.2. DEMONTÁŽ

*PŘED ZAHÁJENÍM DEMONTÁŽE*

Zavřete ventily procesního plynu a ujistěte se, že uvnitř není žádný procesní plyn.

Odtlakujte vysokotlakou stranu pomocí uzavíracích ventilů proplachovacího plynu.

Odtlakujte hadicový systém a v případě potřeby jej propláchněte inertním plynem.

V závislosti na typu výrobku proveďte proplach procesním plynem (viz 6.5.1) nebo proplachování inertním plynem (viz 6.5.2).

Demontujte sestavy a komponenty řádně a v souladu s platnými místními bezpečnostními předpisy pro práci a předpisy na ochranu životního prostředí.

Na konci musí být zařízení a komponenty čištěny a demontovány podle platných průmyslových předpisů bezpečnost a ochrana životního prostředí.

### 10.3. LIKVIDACE

Pokud neexistuje dohoda o vrácení nebo likvidaci, měly by být demontované komponenty recyklovány následujícím způsobem:

Kovy: sešrotovat.

Plasty: recyklovat.

Ostatní komponenty: třídění a likvidace.

V souladu s článkem 33 nařízení REACH se společnost GCE, s.r.o. jako odpovědný výrobce zavazuje informovat všechny zákazníky, pokud materiály obsahují 0,1 % nebo více látek uvedených na seznamu látek vzbuzujících velmi velké obavy (SVHC).

Nejčastěji používané mosazné slitiny používané pro těla a další mosazné komponenty obsahují 2 - 3 % olova (Pb), Č. ES 231-468-6, Č. CAS 7439-92-1. Při normálním používání se olovo neuvolní do plynu ani do okolního prostředí. Po skončení životnosti musí být výrobek zlikvidován autorizovanou firmou pro recyklaci kovů, aby byla zajištěna účinná likvidace materiálu s minimálním dopadem na životní prostředí a zdraví.

K dnešnímu dni nemáme žádné informace, které by naznačovaly, že v jakémkoli výrobku GCE jsou zahrnuty další materiály obsahující koncentrace SVHC nad 0,1 %.



#### POZNÁMKA!

- ***Nebezpečí poškození životního prostředí nesprávnou likvidací!***
- Nesprávná likvidace může poškodit životní prostředí.
- Pověřte specializovanou licencovanou firmu, aby zlikvidovala elektrický odpad, elektronické komponenty, maziva a další pomocné materiály.
- Pokud máte pochybnosti, zeptejte se, jak zajistit šetrnou likvidaci vzhledem k ochraně životního prostředí na místní radnici nebo se obraťte na specializovanou likvidační firmu.

CS

[www.linde.com](http://www.linde.com)

Toto zboží bylo vyrobeno na zakázku firmy Linde.

# SISÄLTÖ

<b>1. YLEISTÄ.....</b>	<b>276</b>
1.1. TIETOA TÄSTÄ OHJEESTA .....	276
1.2. TIETOA JAKELUPUTKISTOSTA .....	276
1.2.1. S300/S200/S60.....	277
1.2.2. S203 .....	277
1.3. SYMBOLIEN SELITYKSET .....	277
1.4. VASTUUVELVOLLISUUDEN RAJOITTAMINEN .....	278
1.5. TEKIJÄNSUOJA .....	278
1.6. VARAOSAT.....	278
1.7. TAKUUMÄÄRÄYKSET .....	279
1.8. ASIAKASPALVELU.....	279
<b>2. TURVALLISUUS.....</b>	<b>279</b>
2.1. TARKOITUKSENMUKAINEN KÄYTTÖ .....	279
2.1.1. JAKELUPUTKISTON RAKENTEELLISET MUUTOKSET .....	279
2.2. OLENNAISET RISKIT .....	279
2.3. OMISTAJAN VASTUU .....	281
2.4. HENKILÖKUNTAVAATIMUKSET.....	281
2.4.1. PÄTEVYYS .....	281
2.4.2. VALTUUTTAMATTOMAT HENKILÖT .....	282
2.4.3. KOULUTUS.....	282
2.5. HENKILÖKOHTAINEN SUOJAVARUSTUS.....	282
2.6. KÄYTTÄYTYMINEN TULIPALO- JA ONNETTOMUUSTILANTEISSA .....	283
2.7. YMPÄRISTÖSUOJA .....	283
2.8. MERKINNÄT.....	283
2.8.1. SUOSITUSMERKIT.....	283
2.8.2. KIELTOMERKIT .....	283
2.8.3. VAROITUSMERKIT .....	283
<b>3. TEKNISET TIEDOT.....</b>	<b>284</b>
3.1. VIRTAAUSKAAVIO – S300/S200/S60 .....	284
3.2. MITTAPIIRROS – S300/S200/S60.....	285
3.3. VIRTAAUSKAAVIO – S203 .....	286
3.4. MITTAPIIRROS – S203.....	287
3.5. YLEISET TIEDOT.....	288
3.6. LIITÄNTÄARVOT.....	288
3.7. SUORITUSARVOT.....	288
3.8. YMPÄRISTÖN KÄYTTÖOLOSUHTEET.....	288
<b>4. RAKENNE JA TOIMINTA .....</b>	<b>289</b>
4.1. RAKENNE – S300/S200/S60.....	289
4.2. RAKENNE – S203 .....	289
4.3. LYHYTKUVAUS .....	289
<b>5. KULJETUS, PAKKAUS JA SÄILYTYS .....</b>	<b>290</b>
5.1. KULJETUKSEEN LIITTYVÄT VAROTOIMET .....	290
5.2. KULJETUSTARKASTUS.....	290
5.3. PAKKAUS.....	290
5.4. SÄILYTYS.....	291
<b>6. ASENTAMINEN JA ENSIMMÄINEN KÄYTTÖÖNOTTO.....</b>	<b>291</b>
6.1. ASENNUKSEN JA ENSIMMÄISEN KÄYTTÖÖNOTON VAROTOIMET .....	291
6.2. VALMISTELEMINEN .....	291
6.3. ASENTAMINEN .....	291
6.4. ENSIMMÄISTÄ KÄYTTÖÖNOTTOA KOSKEVAT EHDOT .....	292
6.5. ENSIMMÄINEN KÄYTTÖÖNOTTO .....	292
6.5.1. PROSESSIKAASUUHUUTELU (S300/S200/S60).....	292
6.5.2. HUUUTELU INERTILLÄ KAAASULLA (S203).....	293
6.5.3. PROSESSIKAASUPUTKISTON TÄYTTÄMINEN PROSESSOITAVALLA KAAASULLA.....	293
6.5.4. PULLON VAIHTAMINEN .....	293
6.5.5. LAITTEISTON KÄYTTÖSTÄ POISTAMINEN .....	294
6.6. TARKISTUKSET.....	294



<b>7. KÄYTTÄMINEN .....</b>	<b>294</b>
<b>8. HUOLTAMINEN .....</b>	<b>294</b>
8.1. HUOLTOA KOSKEVAT VAROTOIMET .....	294
8.2. HUOLTOSUUNNITELMA.....	294
8.3. HUOLTOTYÖT.....	295
8.3.1. PUHDISTAMINEN .....	295
8.3.2. HUOLTOEHDOT .....	295
8.3.3. TARPEELLISET HUOLTOTOIMET .....	295
8.4. HUOLLON JÄLKEISET TOIMET .....	295
<b>9. VIANMÄÄRITYS.....</b>	<b>296</b>
9.1. PURKAMISTA JA HÄVITTÄMISTÄ KOSKEVAT VAROTOIMET .....	296
<b>10. PURKAMINEN JA HÄVITTÄMINEN.....</b>	<b>298</b>
10.1. PURKAMISTA JA HÄVITTÄMISTÄ KOSKEVAT VAROTOIMET .....	298
10.2. PURKAMINEN.....	298
10.3. HÄVITTÄMINEN.....	299

# SUOMI

## KÄYTTÖOHJE: JAKELUPUTKISTO

### 1. YLEISTÄ

#### 1.1. TIETOA TÄSTÄ OHJEESTA

Tämä ohje koskee alla olevan tyypin jakeluputkistoa:

- S300
- S203
- S200
- S60

Näitä jakeluputkistoja käytetään kaasun ottamiseen ja päästämiseen painekaasusäiliöistä. Jakeluputkistot kiinnitetään pysyvästi seinään ja liitetään kierukkaputkella tai -letkulla kaasupainesäiliöön. Tämä ohje mahdollistaa laitteen turvallisen ja tehokkaan käytön. Käyttöohje on laitteeseen kuuluva osa, ja sitä on säilytettävä laitteen välittömästi läheisyydessä, jossa se on helposti henkilökunnan saavutettavissa. Henkilökunnan on luettava ja ymmärrettävä tämä ohje perusteellisesti ennen töiden aloittamista. Turvallisen käytön perustana on, että tämän ohjeen kaikkia varotoimia ja toimintaohjeita noudatetaan työskentelyn aikana. Sen lisäksi on noudatettava laitteen käyttöpaikan paikallisia onnettomuuden estämiseen tarkoitettuja määräyksiä ja yleisiä turvallisuusohjeita. Tämän ohjeen kuvat on tarkoitettu vain selkeyttämään asioita ja voivat poiketa tuotteen todellisesta ulkomuodosta.

#### 1.2. TIETOA JAKELUPUTKISTOSTA

Tätä jakeluputkistoa saa käyttää ainoastaan vakiokaasuiksi määriteltyjen kaasujen kanssa. Jakeluputkiston enimmäistyöstöpaine on 300 baaria. Yksivaiheiset jakeluputkistot koostuvat venttiileistä ja paineen-säätimistä, joissa on metallikalvo. Tuotteet on valmistettu ja testattu standardin ISO7291/10297 mukaisesti. Testi sisälsi happipolttestin.

Tuotesarja	(Puhtaus 6.0   kromipinnoitettu messinki)	(Puhtaus 6.0   ruostumaton teräs)
päästöventtiili ja FKM-istukka	<ul style="list-style-type: none"><li>• Käytettävät kaasut (ja niiden sekoitukset):<ul style="list-style-type: none"><li>• High Purity</li><li>• Inertti</li><li>• Palava</li><li>• Syttyvä</li><li>• O<sub>2</sub></li></ul></li><li>• Ei käytettävät kaasut (ja niiden sekoitukset):<ul style="list-style-type: none"><li>• Syöpyvä</li><li>• Myrkyllinen</li><li>• CO<sub>2</sub>, N<sub>2</sub>O</li></ul></li></ul>	<ul style="list-style-type: none"><li>• Käytettävät kaasut (ja niiden sekoitukset):<ul style="list-style-type: none"><li>• High Purity</li><li>• Inertti</li><li>• Palava</li><li>• O<sub>2</sub> 200 bar asti</li><li>• Syöpyvä</li></ul>(selvitä epäselvyydet)<ul style="list-style-type: none"><li>• Myrkyllinen</li></ul>(selvitä epäselvyydet)</li><li>• Ei käytettävät kaasut (ja niiden sekoitukset):<ul style="list-style-type: none"><li>• O<sub>2</sub> yli 200 baaria</li><li>• CO<sub>2</sub>, N<sub>2</sub>O</li><li>• NH<sub>3</sub>, SO<sub>2</sub>, H<sub>2</sub>S</li></ul></li></ul>

Päästöventtiili ja EPDM-istukka	<ul style="list-style-type: none"> <li>• Käytettävät kaasut (ja niiden sekoitukset): <ul style="list-style-type: none"> <li>• High Purity</li> <li>• Inertti</li> <li>• Palava</li> <li>• Syttyvä</li> <li>• CO<sub>2</sub>, N<sub>2</sub>O</li> </ul> </li> <li>• Ei käytettävät kaasut (ja niiden sekoitukset): <ul style="list-style-type: none"> <li>• Syöpyvä</li> <li>• Myrkyllinen</li> <li>• O<sub>2</sub> (Pitoisuus yli 21 %)</li> <li>• Hiilivety</li> </ul> </li> </ul>	<ul style="list-style-type: none"> <li>• Käytettävät kaasut (ja niiden sekoitukset): <ul style="list-style-type: none"> <li>• High Purity</li> <li>• Inertti</li> <li>• Palava</li> <li>• Syttyvä</li> <li>• Syöpyvä</li> </ul> </li> <li>(selvitä epäselvyydet) <ul style="list-style-type: none"> <li>• Myrkyllinen</li> </ul> </li> <li>(selvitä epäselvyydet) <ul style="list-style-type: none"> <li>• CO<sub>2</sub>, N<sub>2</sub>O</li> <li>• NH<sub>3</sub>, SO<sub>2</sub>, H<sub>2</sub>S</li> </ul> </li> <li>• Ei käytettävät kaasut (ja niiden sekoitukset): <ul style="list-style-type: none"> <li>• O<sub>2</sub> (Pitoisuus yli 21 %)</li> <li>• Hiilivety</li> </ul> </li> </ul>
---------------------------------	-------------------------------------------------------------------------------------------------------------------------------------------------------------------------------------------------------------------------------------------------------------------------------------------------------------------------------------------------------------------------------------------------------------------------------------------------------------------------------------	---------------------------------------------------------------------------------------------------------------------------------------------------------------------------------------------------------------------------------------------------------------------------------------------------------------------------------------------------------------------------------------------------------------------------------------------------------------------------------------------------------------------------------------------------------------------------------------------------------------------------------------------------------------------------------------------------

Tämän luettelon tiedot eivät ole täydelliset. Jos ilmenee kysyttävää, ota yhteyttä valmistajaan.

### 1.2.1. S300/S200/S60

Tämä jakeluputkisto on saatavana sekä kromipinnoitetulla messingillä että ruostumattomalla teräksellä. Se koostuu seuraavista osista:

- paineensäädin ja tulo- sekä lähtöpainemittari
- huuhteluventtiilit prosessikaasuhuhteluun ja 4-teiset sulkuventtiilit sisääntulokohdissa
- poistoventtiili
- etulevy ja pohjalevy.

LISÄOSAT

- S: varoventtiili ulostulon kohdalla
- C: suuntaventtiilit sisääntulojen kohdalla
- U: varoventtiili ulostulon sekä suuntaventtiilit sisääntulojen kohdalla

### 1.2.2. S203

Tämä jakeluputkisto on saatavana vain ruostumattomalla teräksellä. Se koostuu seuraavista osista:

- paineensäädin ja sisääntulo- ja uloslähtöpainemittari
- kussakin kaksi 4-teistä venttiiliä ja yksi 2-teinen huuhteluventtiili huuhteluun inertillä kaasulla sisääntulojen kohdissa
- poistoventtiili
- etu- ja pohjalevy

LISÄOSAT

- S: varoventtiili ulostulon kohdalla

## 1.3. SYMBOLIEN SELITYKSET

### VAROIMET

Varoimet on merkitty tässä ohjeessa symboleilla. Varoimet osoitetaan merkkisanoilla, jotka kertovat vaaran asteesta.



#### VAARA!

Tämä symbolin ja merkkisanan yhdistelmä viittaa välittömään vaaratilanteeseen, joka johtaa kuolemaan tai vakavaan loukkaantumiseen, jos tilannetta ei vältetä.



#### VAROITUS!

Tämä symbolin ja merkkisanan yhdistelmä viittaa mahdolliseen vaaratilanteeseen, joka voi johtaa kuolemaan tai vakavaan loukkaantumiseen, jos tilannetta ei vältetä.



#### HUOMIO!

Tämä symbolin ja merkkinsanan yhdistelmä viittaa mahdolliseen vaaratilanteeseen, joka voi johtaa lievään loukkaantumiseen, jos tilannetta ei vältetä.



#### HUOMAUTUS!

Tämä symbolin ja merkkinsanan yhdistelmä viittaa mahdolliseen vaaratilanteeseen, joka voi johtaa esine- tai ympäristövahinkoon, jos tilannetta ei vältetä.



#### NEUVOT JA SUOSITUKSET

Tämä symboli nostaa hyödyllisiä neuvoja, suosituksia ja tietoja esille, jotka varmistavat laitteen tehokkaan ja virheettömän käytön.

#### ERITYISHUOMIOT

Varoimissa on seuraavia symboleja, joilla viitataan erityisiin vaaroihin.



#### VAARA!

Tämä symbolin ja merkkinsanan yhdistelmä viittaa sähköstä johtuvaan välittömään vaaratilanteeseen.

Jos tätä varoitusta ei huomioida, se voi johtaa vakaviin tai tappaviin loukkaantumisiin.

## 1.4. VASTUUVELVOLLISUUDEN RAJOITTAMINEN

Kaikki tämän ohjeen tiedot ja huomautukset on luotu voimassa olevia standardeja ja nykyteknikkaa huomioiden sekä monivuotiseen tietoomme ja kokemukseemme perustuen.

Valmistaja ei kannu vastuuta vahingoista seuraavissa tapauksissa:

- Jos tätä käyttöohjetta ei huomioida
- Jos laitetta käytetään muulla kuin tarkoituksenmukaisella tavalla
- Jos laitetta käyttää muu kuin ammattihenkilökunta
- Jos laitteeseen tehdään omavaltaisesti teknisiä tai rakenteellisia muutoksia
- Jos laitteessa käytetään valtuuttamattomia varaosia
- Jos painekäyttöistä laitetta käytetään viiallisella turvavarustuksella tai epäasianmukaisesti asennetulla tai epätoimivilla turvallisuus- ja suojavarustuksella
- Jos laitteen kuluneita varustus-, ruuvaus- ja tiivistekohtia ei valvota
- Jos korjaukset on toteutettu epäasianmukaisesti
- Jos asiakirjassa annettu käyttö- tai säilytyslämpötilan rajoitus on alitettu tai ylitetty
- Vierasesineen tai aavistamattoman olosuhteen aiheuttama katastrofitapaus.

Toimituksen todellinen laajuus voi poiketa tässä esitetystä selostuksesta ja kuvauksesta, mikä voi johtua erityisversioista, lisävalintojen käyttöönotosta tai tekniikan kehittämisestä aiheutuvista muutoksista. Toimitussopimuksessa määritetyt vastuut, yleiset myyntiehdot ja valmistajan toimitusehdot ovat voimassa sopimusajankohdan ja voimassa olevien lainmukaisten säännösten mukaan.

## 1.5. TEKIJÄNSUOJA

Tämän käyttöohjeen sisältö on tekijäsuojattu. Ohjetta saa käyttää laitteen käyttö yhteydessä. Muu kuin edellä esitetty käyttö on kielletty ilman valmistajan kirjallista suostumusta.

## 1.6. VARAOSAT



#### VAROITUS!

- Väärät varaosat voivat aiheuttaa loukkaantumisvaaran!
- Väärin varaosien käyttäminen voi johtaa henkilökunnan vaarantumiseen sekä aiheuttaa laitteen vaurioitumisen, virheellisen toiminnan tai täydellisen hajoamisen.
- Käytä valmistajan alkuperäisiä tai valtuuttamia varaosia.
- Jos ilmenee epäselvyyksiä, selvitä ne valmistajalta.



## TAKUUN MENETYS

- Valmistajan takuu raukeaa, jos käytät valtuuttamattomia varaosia.

## 1.7. TAKUUMÄÄRÄYKSET

Antamamme yleiset myynti- ja toimitusehdot ovat voimassa. Ne ovat sopimuksen tekohetkestä lähtien asiakkaan saatavilla.

## 1.8. ASIAKASPALVELU

Otamme mielellämme tietoa ja kokemuksia vastaan, jotka liittyvät tuotteidemme käyttöön ja joilla niitä voidaan parantaa.

# 2. TURVALLISUUS

Tässä osiossa on yleistietoa tärkeistä turvallisuusseikoista, joilla voidaan suojella henkilökuntaa ja varmistaa laitteen virheettömän käytön. Muita käyttötehtäviin liittyviä varotoimia on esitetty käyttöiän yksittäisten vaiheiden mukaisissa osioissa.

## 2.1. TARKOITUKSEN MUKAINEN KÄYTTÖ

Jakeluputkistoa saa käyttää vain tässä ohjeessa annettujen kaasujen ja paineiden kanssa sekä noudattamalla annettuja lämpötilarajoituksia. Normaali tilavuusvirta on 20 m<sup>3</sup>/h (paineilma). Tarkoituksen mukaiseen käyttöön luetaan myös, että tämän käyttöohjeen tietoja ja ohjeita noudatetaan, määrätyistä tarkastus- ja huoltotoimista pidetään kiinni sekä tyypikkilven ja tietolehtien ohjeita huomioidaan. Jos laitetta käytetään muulla kuin tarkoituksen mukaisella tavalla, se katsotaan virheelliseksi käytöksi.



### VAROITUS!

- **Virheellinen käyttö aiheuttaa vaaraa!**
- Jakeluputkiston virheellinen käyttö voi johtaa vaarallisiin tilanteisiin.
- Älä koskaan käytä jakeluputkistoa nesteiden kanssa.
- Älä koskaan kytke lähteitä, joiden tulopaineet ovat korkeammat kuin vastaavaan paineenohjauspaneeliin on tarkoitettu.

### 2.1.1. JAKELUPUTKISTON RAKENTEELLISET MUUTOKSET

Jakeluputkistoon ei saa tehdä muutoksia, lisäyksiä tai rakennemuutoksia ilman valmistajan kirjallista suostumusta.

Jos jakeluputkisto ei ole moitteettomassa kunnossa, se on vaihdettava välittömästi.

Kaasulaitteiden puhdistaminen ja jäämien hävittäminen

Käytössä olleet ja korjausta odottavat jakeluputkistot on huuhdeltava inertillä kaasulla (typellä).

Melu

Joissain tapauksissa tietyt vaikutussuureet, kuten virtaus ja painealue, sekä kaasutyyppi voivat aiheuttaa melua. Jos näin käy, ole yhteydessä valmistajaan.

## 2.2. OLENNAISET RISKIT

Seuraavassa osiossa on esitetty pysyvät riskit, joita voi aiheutua laitteen käytöstä, vaikka käyttö olisi tarkoituksen mukainen. Jotta henkilö- ja esinevahinkojen riskiä voidaan alentaa ja vaarallisia tilanteita välttää, on huomioitava käyttöohjeen tässä sekä muissa osioissa esitetyt varotoimia.



### VAARA!

- **Kaasut voivat olla hengenvaarallisia!**
- Kaasut voivat korvata ympärillä olevan ilman ja siten myös siinä olevan hapen. Tämä voi aiheuttaa tukehtumisesta johtuvan kuoleman. Happi muodostaa erittäin oksidatiivisen ympäristön. Syttyvät kaasut voivat muodostaa räjähdysherkän ympäristön.

HUOMIOI SIKSI SEURAAVAA:

- Huolehdi ilman vaihtuvuudesta!
- Asennuksen saa tehdä vain sertifioitu ammattiyritys!
- Huomioi ATEX-määräykset.



## HUOMIO!

- **Ympäristön aiheuttamat vaarat!**

Laitte voi vioittua kondensoitumisesta tai jääytymisestä johtuen.

*HUOMIOI SIKSI SEURAAVAA:*

- Huomioi lämpötila-alueet!
- Suojaa laite ulkopuolisilta nesteiltä!
- Suojaa laite ulkopuoliselta pölyltä!
- Asenna laite säänkestävästi!
- Asenna saatavillasi oleva maadoitus asianmukaisesti!



## VAROITUS!

- **Öljyn ja rasvan käyttö aiheuttaa onnettomuusvaaran!**

Paineensäätöjärjestelmissä ei saa käyttää öljyjä tai rasvoja. Öljyt ja rasvat ovat helposti syttyviä ja ne reagoivat voimakkaasti tiettyihin tiivistettyihin kaasuihin.

*HUOMIOI SIKSI SEURAAVAA:*

- Älä missään tapauksessa käytä öljyä tai rasvaa!



## VAROITUS!

- **Onnettomuusvaara järjestelmään varastoituneen energian vuoksi!**

Laitteen vääränlainen käsittely voi saada paineen alla olevat osat liikkumaan epäkontrolloidusti ja aiheuttaa siten vakavia tai jopa tappavia loukkaantumisia. Laitteen vääränlainen käyttö voi aiheuttaa kaasun suihkuaamisen ulos paineen alla olevista osista ja aiheuttaa siten vakavia tai jopa tappavia loukkaantumisia.

*HUOMIOI SEURAAVAA ENNEN JOKAISTA PAINEEN ALLA OLEVAN OSAN KÄYTTÖÄ:*

- Asennuksen saa tehdä vain sertifioitu ammattiryitys!
- Käytä suojalaseja!
- Käytä kuulosuojaimia!
- Varmista, ettei järjestelmään ole muodostunut painetta!
- Varmista, ettei järjestelmässä ole enää varastoitunutta energiaa!
- Varmista, ettei laitteesta voi tulla kaasua tahattomasti ulos!
- Varmista, että ammattihenkilökunta vaihtaa rikkiäiset osat välittömästi!

FI



## VAROITUS!

- **Onnettomuusvaara!**

Laitteen vääränlainen asentaminen voi aiheuttaa vakavia tai jopa tappavia loukkaantumisia.

*HUOMIOI SIKSI SEURAAVAA:*

- Varmista, ettei laite voi pudota asennuksen aikana!
- Älä heitä laitteita!

Paineen alla olevia osia saa käyttää vain tarkoituksenmukaisesti.

Jos putkisto tai varustus vaurioituu mekaanisesti, järjestelmä on asetettava turvalliseen käyttöön (eli otettava kyseessä oleva osa pois käytöstä).

Ammattihenkilökunnan tai valmistajan on korjattava häiriöt, jotka voivat vaikuttaa laitteen turvallisuuteen, välittömästi.

Etenkin kaasujen yhteydessä on olemassa putkistosäätimen vaurioitumisvaara. Merkkejä tästä ovat joko kaasuvirtaus paineensäätimen jälkeen tai yllättävä taustapaineen nousu. Jos paineensäädin vahingoittuu, järjestelmä on otettava välittömästi pois käytöstä. Tiedota vastuussa olevaa huoltoyritystä ehdottomasti tästä asiasta. Älä koskaan sulje poistoputkistoa.

## 2.3. OMISTAJAN VASTUU

### OMISTAJA

Omistaja on henkilö, joka käyttää laitetta ammatinharjoittamisessa tai taloudellisen hyödyn saavuttamisessa tai joka antaa kolmannen osapuolen käyttää laitetta ottamalla tuotteen käyttäjän, henkilökunnan tai kolmannen osapuolen suojan vastuulleen.

### OMISTAJAVASTUU

Laitetta käytetään ammattialalla. Siitä syystä laitetta koskee työturvallisuuden lainmukaiset säädökset.

Tämän käyttöohjeen varoitimien lisäksi on noudatettava laitteen käyttöaluetta koskevia turvallisuus-, onnettomuudenesto- ja ympäristösuojamääräyksiä.

#### TÄMÄ KOSKEE ETENKIN SEURAAVAA:

- Omistajan on hankittava tietoa voimassa olevista työsuojamääräyksistä ja selvítettävä vaaratilannearviolta vaaroja, jotka aiheutuvat tietyistä työolosuhteista laitteen käyttöpaikassa. Omistajan on toteutettava arvion esille tuomat käyttövaatimukset laitteen käytössä.
- Omistajan on koko laitteen käyttöajan aikana tarkistettava, vastaavatko hänen laatimansa käyttövaatimukset ajankohtaisia säännöstöjä, ja muokattava niitä tarvittaessa.
- Omistajan on säädettävä ja määritettävä asennuksen, käytön, vianmäärityksen, huollon ja puhdistuksen vastuualueet selkeästi.
- Omistajan on huolehdittava siitä, että kaikki laitetta käsittelevät henkilöt ovat lukeneet ja ymmärtäneet nämä käyttöohjeet. Lisäksi hänen on huolehdittava henkilökunnan koulutuksesta ja vaarojen tiedottamisesta säännöllisin väliajoin.
- Omistajan on tarjottava vaadittava suojavarustus henkilökunnan käyttöön ja ohjeistettava käyttämään niitä.

Lisäksi operaattori on vastuussa siitä, että järjestelmän täysi tekninen luotettavuus on aina taattu.

#### NÄIN OLLEN SOVELLETAAN SEURAAVAA:

- Käyttäjän on varmistettava, että tässä käsikirjassa määritellyjä huoltovälejä noudatetaan.
- Käyttäjän on varmistettava, että kaikkien turvalaitteiden toimintavarmuus ja täydellisyys tarkastetaan säännöllisesti.

## 2.4. HENKILÖKUNTAVAATIMUKSET

### 2.4.1. PÄTEVYYS

Tässä ohjeessa esitetyt erilaiset tehtävät asettavat niissä toimiville henkilöille erilaisia pätevyysvaatimuksia.

FI



#### VAROITUS!

- **Epäpätevä henkilö voi aiheuttaa vaaran!**
- Epäpätevä henkilö voi aiheuttaa vaaran!
- Epäpätevä henkilö ei osaa arvioida laitteen käyttöön liittyviä riskejä ja asettavat siten itsensä ja muita ihmisiä vakavan tai hengenvaarallisen loukkaantumisen vaaraan.
- Työtehtävät saa hoitaa vain pätevä henkilö!
- Älä päästä epäpäteviä henkilöitä työalueelle!

Työtehtäviä saa hoitaa vain henkilö, jolta voi odottaa kyseisen tehtävän tunnollista suorittamista. Henkilöt, joiden reaktiokyky on alentunut esim. huumeiden, alkoholin tai lääkityksen vaikutuksen alaisena, eivät ole sallittuja.

Tässä ohjeessa esitetään seuraavaksi henkilöiden pätevydet erilaisissa tehtävissä:

#### KAASUTEKNIIKAN TUNTEVA INSINÖÖRI

Henkilö, jolla on ammattikoulutus, riittävä osaaminen, kokemus ja tieto standardeista ja määräyksistä, joita vaaditaan paineilmajärjestelmän kanssa työskentelemiseen ja mahdollisten riskien tunnistamiseen. Kaasutekniikkaan erikoistuneet insinöörit on koulutettu ja he tuntevat etenkin kyseisen tuotantopaikan ja sen yksilölliset standardit ja määräykset.

#### TEKNIKKO

Henkilö, jolla on ammattikoulutus, riittävä osaaminen, kokemus ja tieto standardeista ja määräyksistä, joita vaaditaan paineilmajärjestelmän kanssa työskentelemiseen ja mahdollisten riskien tunnistamiseen.

## 2.4.2. VALTUUTTAMATTOMAT HENKILÖT



### VAROITUS!

- **Valtuuttamattomat henkilöt aiheuttavat vaaroja vaara- ja työalueella!**
- Valtuuttamattomat henkilöt, jotka eivät tunne tässä ohjeessa esitettyjä vaatimuksia, eivät tunne työalueen vaaroja.
- Siksi valtuuttamattomat henkilöt voivat joutua vaaraan loukkaantua vakavasti tai hengenvaarallisesti.
- Älä päästä valtuuttamattomia henkilöitä lähelle vaara- ja työaluetta!
- Jos vaara- ja työalueella on henkilö, jonka pätevydestä et ole varma, ota asia henkilön kanssa puheeksi ja ohjaa hänet pois alueelta!
- Keskeytä työt siksi ajaksi, kun vaara- ja työalueella on valtuuttamattomia henkilöitä!

## 2.4.3. KOULUTUS

Omistajan on huolehdittava henkilökunnan säännöllisestä kouluttamisesta. Seurannan helpottamiseksi omistajan on luotava koulutusprotokolla, joka sisältää seuraavat vähimmäistiedot:

- Koulutuksen päivämäärä
- Kouluttajan nimi
- Koulutuksen sisältö
- Koulutettavan nimi
- Kouluttajan ja koulutettavan allekirjoitukset.

## 2.5. HENKILÖKOHTAINEN SUOJAVARUSTUS

Suojavarustus on tarkoitettu suojaamaan henkilöitä vaikutuksilta, jotka voivat vaarantaa heidän turvallisuuttaan tai terveyttään.

Henkilökunnan on käytettävä laitteen kanssa työskennellessään henkilökohtaista suojavarustusta, johon viitataan erikseen yksittäisissä osioissa ja ohjeissa.

FI



### HENGITYSSUOJAIN, RIIPPUMATON YMPÄRISTÖN ILMASTA

Suojaa vaarallisilta kaasuilta, höyryiltä, pölyltä ja vastaavilta aineilta.

Tarvitset hengityssuojainta, kuten paineilmahengityslaitetta, jos ympäristön happipitoisuus ei ole yli 17 % ja/tai jos ympäristössä olevien haitallisten aineiden raja-arvon ylittymistä ei voida sulkea pois.

Vain koulutettu henkilökunta saa käyttää kannettavia hengityssuojaimia.



### HENGITYSSUOJAIN, RIIPPUMATON YMPÄRISTÖN ILMASTA

Suojaa vaarallisilta kaasuilta, höyryiltä, pölyltä ja vastaavilta aineilta.

Tarvitset hengityssuojainta, jos ympäristössä olevien haitallisten aineiden raja-arvon ylittymistä ei voida sulkea pois.

Käytä hengityssuojainta vain, jos ympäristön happipitoisuus on yli 17 %.



### SUOJALASIT

Suojaavat lentäviltä osilta ja tipoilta.



### KÄSINEET, RESISTENTIT KEMIKAALEILLE

Suojaavat käsiä väkevilta ainesosilta.

Varmista, että käsineet ovat tiiviit.

Hävitä käsineet käytön jälkeen asianmukaisesti.



### SUOJAKÄSINEET

Käsien suojaaminen mekaanisilta vaikutuksilta ja kuumilta sekä kylmiltä pinoilta.





## KÄYTÄ KUULOSUOJAIMIA

Suojaa kuuloasi kovilta ääniltä ja estä kuulovamma.

## 2.6. KÄYTTÄYTYMINEN TULIPALO- JA ONNETTOMUUSTILANTEISSA

### ENNALTA EHKÄISEVÄT TOIMET

- Ole aina varautunut tuleen ja onnettomuuksiin!
- Säilytä ensiaputarvikkeita (sidetarvikelaatikkoo, peittoa jne.) ja palonsammutusvälineitä käyttövalmiudessa.
- Varmista, että henkilökunta tuntee onnettomuuden ilmoittamisen, ensiavun ja pelastuslaitoksien säännöt ja käytännöt.
- Pidä pelastusteiden kulkuväylät avoimina.

### TOIMET TULIPALO- JA ONNETTOMUUSTILANTEISSA

- Jos oma terveys ei ole vaarassa, auta muita henkilöitä pois vaara-alueelta.
- Anna tarvittaessa ensiapua.
- Hälytä palokunta ja/tai pelastuslaitos.
- Tulipalon syttyessä: Jos oma terveys ei ole vaarassa, yritä sammuttaa tuli palonsammutusvälineillä, kunnes palokunta saapuu paikalle.
- Kerro tapahtumapaikan vastuuhenkilölle tapahtuneesta.
- Huolehdi, että pelastusteiden kulkuväylät ovat avoimina.
- Ohjeista pelastusajoneuvot paikalle.

## 2.7. YMPÄRISTÖSUOJA



### HUOMIOITAVAA!

- **Jos ympäristölle haitallisia aineita käytetään väärin, siitä aiheutuu ympäristövaara!**
- Ympäristölle haitallisten aineiden käyttäminen väärällä tavalla, etenkin niiden vääränlainen hävittäminen, voi aiheuttaa huomattavia ympäristövaaroja.
- Huomioi alla esitetyt ympäristölle haitallisia aineita ja niiden hävittämistä koskevia ohjeita aina!
- Jos ympäristölle haitallisia aineita päätyy ympäristöön, toimi heti vaaditulla tavalla.
- Jos olet epävarma, ota yhteyttä vastuussa olevaan viranomaiseen ja kerro vahingosta, jotta saat tietoa vaadituista toimintatavoista.

FI

## 2.8. MERKINNÄT



### VAROITUS!

- **Vaikeaselkoiset merkinnät aiheuttavat vaaraa!**
- Ajan saatossa tarrat ja kyltit voivat likaantua tai muuttua muulla tavalla vaikeaselkoisiksi, jolloin vaaroja ei voida tunnistaa ja tarvittavia käyttötapoja ei osata noudattaa. Tämä aiheuttaa loukkaantumisvaaran.
- Säilytä kaikki turvallisuus-, varoitus- ja käyttöohjeet aina hyvin luettavassa kunnossa.
- Uusi vahingoittuneet kyltit tai tarrat välittömästi.

### 2.8.1. SUOSITUSMERKIT

- Ei merkkejä

### 2.8.2. KIELTOMERKIT

- Ei merkkejä

### 2.8.3. VAROITUSMERKIT



KAASUPULLOVAROITUS



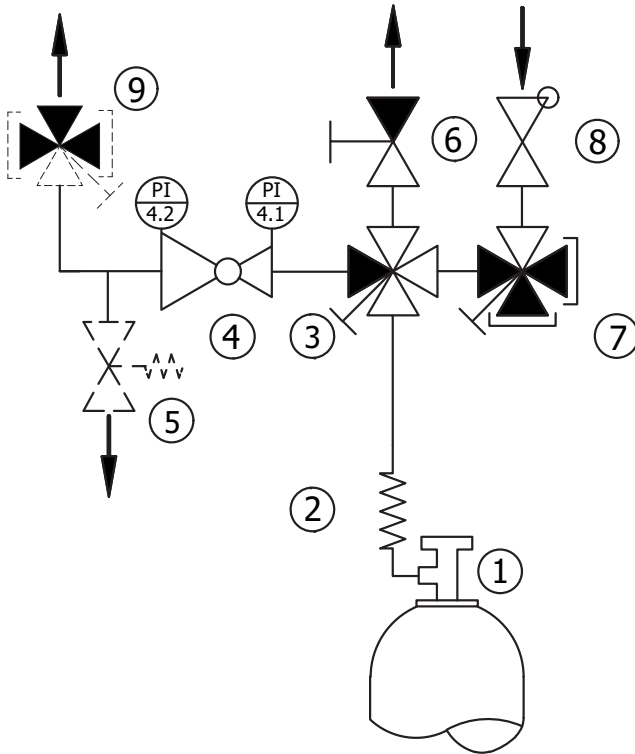
RÄJÄHDYSSHERKÄN  
YMPÄRISTÖN VAROITUS



MYRKYLLISTEN JA/TAI  
YÖVYTTÄVIEN AINEIDEN  
VAROITUS

### 3. TEKNISET TIEDOT

#### 3.1. VIRTAAUSKAAVIO – S300/S200/S60

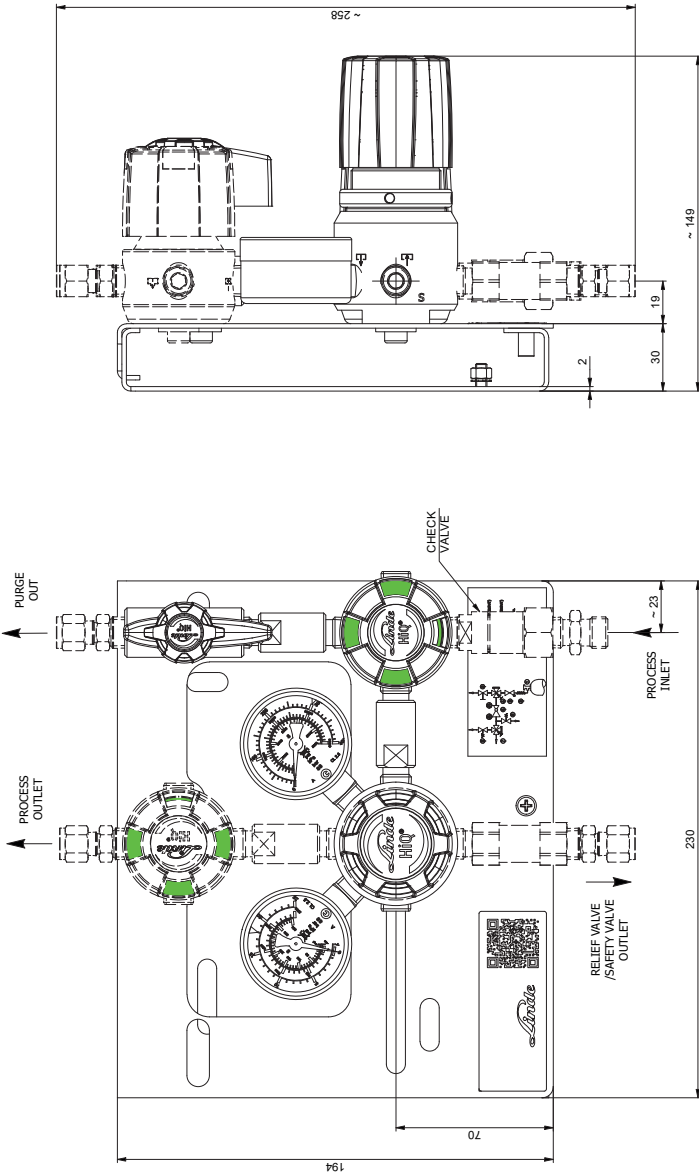


FI

- 1 – KAASUSYLINTERI
- 2 – KELA
- 3 – SULKUVENTTIILI (3XIN, 1XOUT)
- 4 – PAINEENSÄÄDIN TULO-/ULOSMITTARILLA
- 5 – YLIPAINVENTTIILI/VAROVENTTIILI, (OPT.)
- 6 – TYHJENNÄ POISTOVENTTIILI
- 7 – TYHJENNÄ TULOVENTTIILI (1XIN, 3XOUT)
- 8 – TAKAISKUVENTTIILI
- 9 – SULKUVENTTIILI (1XIN, 3XOUT); (OPT.)

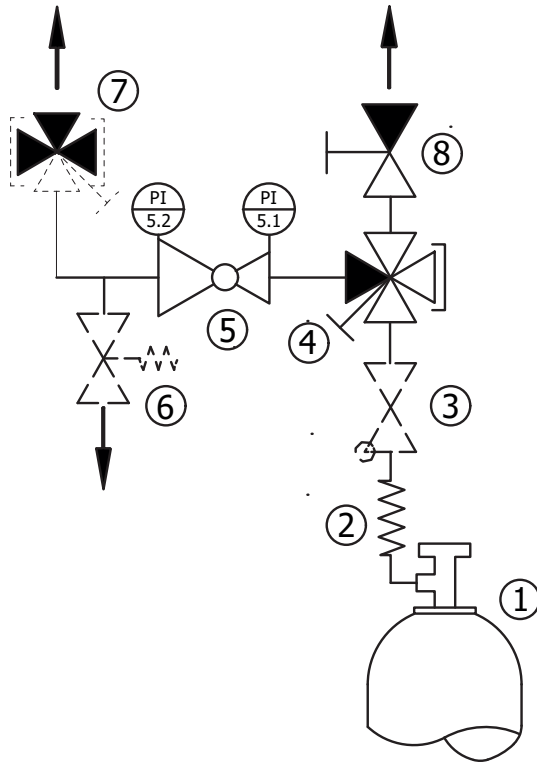
**Osat on esitetty linjassa kulkevana pisteinä**

### 3.2. MITTAPIIROS – S300/S200/S60



FI

### 3.3. VIRTAUSKAAVIO – S203

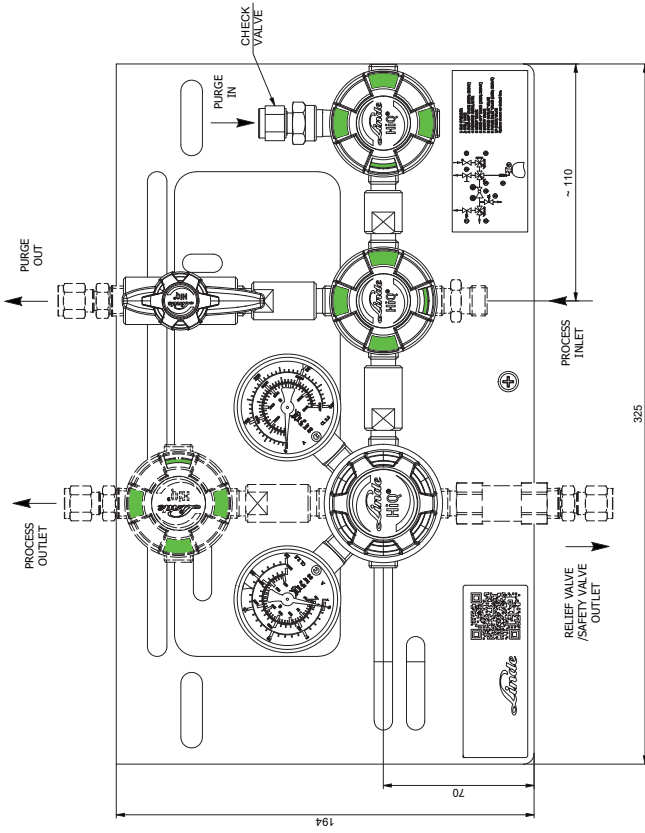
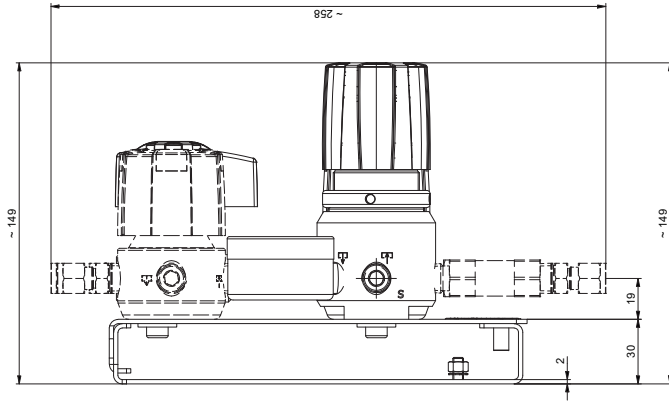


FI

- 1 – KAASUSYLINTERI
- 2 – KELA
- 3 – TAKAISKUVENTTIILI (OPT.)
- 4 – SULKUVENTTIILI (3XIN, 1XOUT)
- 5 – PAINEENSÄÄDIN TULO-/ULOSMITTARILLA
- 6 – YLIPAINEVENTTIILI/VAROVENTTIILI, (OPT.)
- 7 – SULKUVENTTIILI (1XIN, 3XOUT), (OPT.)
- 8 – TYHJENNÄ POISTOVENTTIILI

**Osat on esitetty linjassa kulkevinä pisteinä**

### 3.4. MITTAPIIROS – S203



FI

### 3.5. YLEISET TIEDOT

Tieto	S300/S200/S60-BC	S300/S200/S60-SS
maks. paino [kg]	5,25	8,57
Pituus [mm]	230	230
Leveys [mm]	150	150
Korkeus [mm]	194	194

Tieto	S203-SS
maks. paino [kg]	6,97
Pituus [mm]	325
Leveys [mm]	150
Korkeus [mm]	194

### 3.6. LIITÄNTÄARVOT

Tieto	Arvo	Yksikkö
Tulo	NPT 1/4" naaras useita adaptoreita saatavilla	metrinen tuumainen
Lähtö	1/8", 1/4", 3/8", 1/2" 3, 6, 8, 10, 12	Kirstysrenkaat tuuma Kirstysrenkaat mm
Poistoventtiili/huuhteluventtiili, jos saatavana	1/4", 3/8", 1/2" 6, 8, 10, 12	Kirstysrenkaat tuuma Kirstysrenkaat mm
Varoventtiili	NPT 1/2" naaras	tuumaa

FI

### 3.7. SUORITUSARVOT

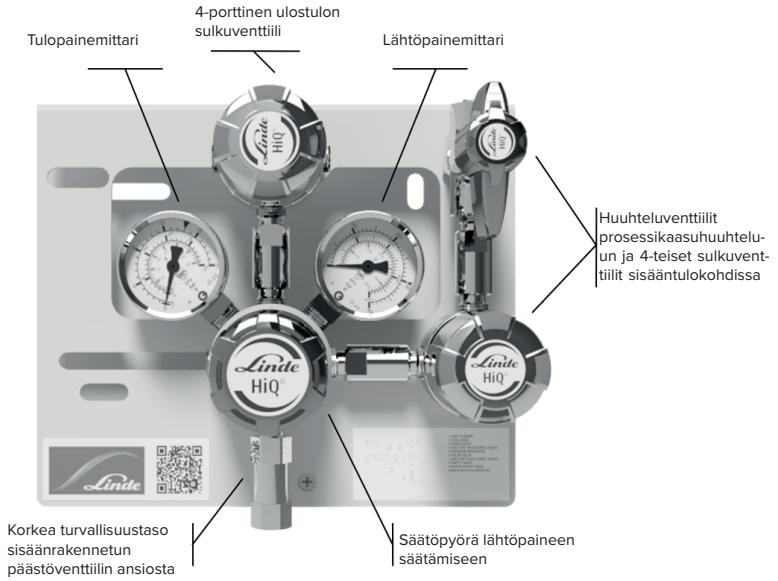
Tieto	Arvo	Yksikkö
Normaali läpivirtaus	20 (paineilma)	m <sup>3</sup> /h
Tulopaine (maks.)	S300: 300 S203: 200 S200: 200 S60: 60	baaria
Lähtöpaine (maks.)	200	baaria

### 3.8. YMPÄRISTÖN KÄYTTÖOLOSUHTEET

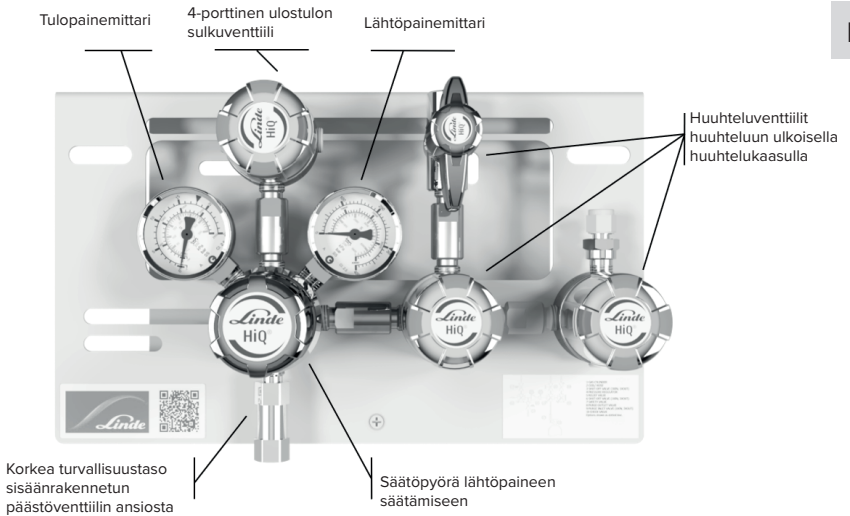
Tieto	Arvo	Yksikkö
Lämpötila-alue	-20 till +60	°C
Suhteellinen kosteus (maks.)	98	%

## 4. RAKENNE JA TOIMINTA

### 4.1. RAKENNE – S300/S200/S60



### 4.2. RAKENNE – S203



FI

### 4.3. LYHYTKUVAUS

Jakeluputkistoa S300/S200/S60-BC... kromipinnoitetusta messingistä käytetään kaasusäiliössä/-säiliöissä olevan myrkyttömän ja ei-syövyttävän teollisuuskaasun tai kaasuseoksen paineen purkamiseen. Paineen purkamisessa enimmäispainetta 300 baaria lasketaan putkistopaineen tasolle (3, 6, 10, 14, 28, 50, 100, 200 baaria).

Jakeluputkistoa S300/S200/S60/S203-SS... ruostumattomasta teräksestä käytetään kaasusäiliössä/-säiliöissä olevan myrkyllisen ja syövyttävän kaasun tai kaasuseoksen paineen purkamiseen. Paineen purkamisessa enimmäispainetta 300 baaria lasketaan putkistopaineen tasolle (3, 6, 10, 14, 28, 50, 100, 200 baaria).

Putkiston taustapainealuetta voi suojata luvattomalta paineen nousulta painesäätimen istukassa olevan vuodon vuoksi käyttämällä poistoventtiiliä putkiston painesäätimessä. Lisäksi voi käytä varo- ja/tai suuntaventtiiliä.

Putkiston painesäätimen todellinen etu- ja taustapaine näkyy putkijousen painemittarissa Kontaktipainemittareita voi käyttää painesäätimen sekä etu- että taustapainealueella.

Jos putkistossa on kaasuhuuhdelujärjestelmä, putkiston korkeapainealueet voidaan huuhdella ennen käyttöönnottoa mahdollisten epäpuhtauksien varalta. Myös tässä järjestelmässä putkiston korkeapainealueiden painetta voidaan purkaa ennen pullon vaihtamista.

Jos putkistossa on inertin kaasun huuhtelutoiminto (S203), putkiston korkeapainealueet voidaan huuhdella inertillä kaasulla, jotta pullojen vaihtaminen ja/tai laitteen huoltaminen olisi turvallista. Versio inertin kaasun huuhtelutoiminnolla on saatavana vain ruostumattomasta teräksestä valmistetussa jakeluputkistossa.

Kaikki yllä kuvatut järjestelmät on kiinnitetty yhteiseen ruostumattomasta teräksestä valmistettuun konsoliin. Konsolin riittävän suuri mitoitus takaa sen, etteivät putkiston yksittäiset osat vahingoitu tahattomasti kuljetuksen aikana tai asennetussa tilassaan. Konsolin jaettu toteutus mahdollistaa osien helpon ja kevyemmän kiinnityksen. Konsolin etulevy on avattavissa ja mahdollistaa painemittareiden vaihtamisen ilman, että konsoli on purettava putkistosta ja siten vältetään myös syöttöjärjestelmän purkamisen. Pohjalevyssä on jokaiselle putkistopuolelle reikä, johon pulloliitäntäletkut voidaan kiinnittää omiin jousihakoihinsa. Putkiston voi liittää paikalliseen potentiaalisaukseen konsolin pohjalevyyn kiinnitetyn ruuvin kautta.

Yllä mainittujen järjestelmien kehitys, valmistus ja tuotantotestaus on tehty mm. alla olevien standardien mukaan:

- painesäädin ISO 7291
- venttiilit ISO 10297
- painemittarit EN 837-1
- koko putkiston mekaaninen räjähdysuoja ISO80079-36; IEC 60079-32-1; TRGS 727.

## 5. KULJETUS, PAKKAUS JA SÄILYTYS

FI



### NEUVOT JA SUOSITUKSET!

- Ihanteellista on, että valmistajan työntekijät tai tämän valtuuttamat henkilöt tekevät asennuksen.
- On myös mahdollista, että käyttäjä tai omistajan huoltohenkilökunta tutustuu asennuksen ja muun käytön aikana pakkausosien käsittelyyn. Tällöin on ehdottomasti huomioitava seuraavat ohjeet.

### 5.1. KULJETUKSEEN LIITTYVÄT VAROTOIMET



#### HUOMIOITAVAA!

- ***Epäasianmukainen kuljetus voi aiheuttaa esinevahingon!***
- Epäasianmukaisessa kuljetuksessa kuljetettavat osat voivat kaatua tai pudota. Siitä voi aiheuta merkittäviä esinevahinkoja.
- Ole varovainen, kun purkaat saapuneen kuljetuksen osia ja kuljetat osia sisäisesti. Huomioi pakkausten symboleja ja huomioita.
- Käytä vain annettuja kiinnityskohtia.
- Poista tuotteet pakkauksesta vasta juuri ennen asentamista.

### 5.2. KULJETUSTARKASTUS

Tarkista toimitus heti sen vastaanottamisen jälkeen eheyden ja kuljetusvahinkojen varalta.

Jos havaitset ulkoisia kuljetusvahinkoja, toimi seuraavasti:

- Ota toimitus vain ehdollisena vastaan tai älä ota sitä ollenkaan vastaan.
- Kirjaa vahingon laajuus kuljettajan kuljetusasiakirjoihin tai toimitusluetteloon.
- Tee reklamaatio.



### NEUVOT JA SUOSITUKSET!

- Reklamoiki kaikki puutteet, heti huomattuasi ne. Vahingonkorvausta voi saada vain takuun voimassaolon aikana.



## 5.3. PAKKAUS

Yksittäiset pakkauksen osat on pakattu oletettujen kuljetusolosuhteiden mukaan. Pakkauksessa on käytetty vain ympäristöstävällisiä materiaaleja.

Pakkauksen on tarkoitus suojata yksittäisiä osia kuljetusvahingoilta, ruostumiselta ja muilta vaurioilta asennukseen asti. Älä siksi tuhoa pakkausta ja poista se vasta juuri ennen asennusta.



### HUOMIOITAVAA!

- **Vääränlainen hävittäminen aiheuttaa ympäristövaaran!**
- Pakkausmateriaalit koostuvat arvokkaista raaka-aineista ja voidaan useissa tapauksissa muokata ja hyödyntää uudelleen. Vääränlainen hävittäminen voi aiheuttaa ympäristövaaran.
- Hävitä pakkausmateriaalit ympäristöstävällisesti.
- Huomioi paikallisia hävitystä koskevia määräyksiä. Tilaa hävityspalvelu tarvittaessa ammattiyritykseltä.

## 5.4. SÄILYTYS

Säilytä pakkausosat seuraavissa olosuhteissa:

- Älä säilytä niitä ulkona.
- Säilytä niitä kuivassa ja pölyttömässä paikassa.
- Älä altista niitä väkeville aineille.
- Suojaa niitä auringonvalolta.
- Vältä mekaanista tärinää.
- Säilytyslämpötila: 15–35 °C.
- Suhteellinen ilmankosteus: maks. 60 %.
- Jos säilytys kestää yli 3 kuukautta, tarkista kaikkien osien ja pakkausten yleinen kunto säännöllisesti. Uusi tai paranna säilytystä tarvittaessa.



### NEUVOT JA SUOSITUKSET!

- Joissain olosuhteissa pakkausosissa on säilytysohjeita, jotka ylittävät tässä esitetyt vaatimukset. Noudata kyseisiä ohjeita.

# 6. ASENTAMINEN JA ENSIMMÄINEN KÄYTTÖÖNOTTO

FI

## 6.1. ASENNUKSEN JA ENSIMMÄISEN KÄYTTÖÖNOTON VAROTOIMET

### HENKILÖKUNTA

Vain ammattihenkilökunta saa asentaa ja ottaa laitteen käyttöön.

## 6.2. VALMISTELEMINEN

### PAKKAUKSESTA PURKAMINEN

- Osat on purettava varovaisesti ja harkiten.
- Irrota myös lisäpakkausmateriaalit.
- Tarkista kaikki osat kuljetusvahinkojen varalta.

### KAASUN PURKAMINEN

- Purkaa mahdollinen kaasupaine laitteistosta tai huuhtele se inerttikaasulla.
- Irrota mahdollisten laitteistojen putkistot erikoisvälineillä, vältä leikkuujätettä
- Varmista, että liitososat ovat erinomaisessa kunnossa ja puhtaita.

## 6.3. ASENTAMINEN

Asennuksen ja ensimmäisen käyttöönoton saa suorittaa vain pätevä henkilökunta.

Jakeluputkiston pohjalevy asennetaan 164 cm korkeuteen.

Etulevy asetetaan jakeluputkiston pohjalevyn sisälle ja kiinnitetään levyn keskelle mukana toimitetulla ruuvilla.

Pohjalevy on maadoitettava annetun ruuvin kautta.

Jakeluputkisto asennetaan yleensä ruuvattavalla kiristysrenkaalla prosessiulostuloon, poistoventtiin, huuhdelukaasuisäätulojen ja -ulostulojen kohdalle.

Liitä myös varo- ja/tai suuntaventtiili, mikäli sellainen on saatavilla.

Ensiksi liitäntöjen korkit poistetaan.

Asennus tehdään viemällä putki kokonaan ruuvi kiinnitykseen. Avaa sitten kiristysmutteri käsin ja kiristä se sitten kiintoavaimella (1 ¼ kierrosta). (Ensimmäisessä asennuksessa 1 ¼ kierrosta putkistossa, joka on suurempi kuin 1/8 tuumaa ja 3/4 kierrosta putkistossa, joka on 1/8 tuumaa tai pienempi; uudelleen asennuksessa 1/4 kierrosta kaikille putkistoille).

Kiinnitä poistoputki samalla tavalla poistoventtiiliin. Poistokaasuputkea ja poistoputkea EI saa yhdistää ja ne on johdatettava turvallisesti ulkoilmaan. Sama pätee myös varoventtiiliin, jos sellainen on saatavilla.

Kaasupullon saa liitettyä jakeluputkistoon käyttämällä standardoituja liitäntäkierukkaa ja -letkua (toimitettavissa oleva lisävarustus).

Liitäntäkierukka/-letku toimitetaan aina erikseen. Putken/letkun oikea kiinnityskohta on tarkistettava. Liitosmutteriin on kirjattu pullon liitäntänumero. Liitäntäkierukasta/-letkusta on kustakin vain yksi malli olemassa. Sen voi asentaa jakeluputkiston sekä vasemmalle että oikealle sivulle.

Asenna jakeluputkiston liitäntäkierukka/-letku irrottamalla ensin kierukan/letkun sekä jakeluputkiston korkki liitoskierteestä. Kiinnitä huomiota siihen, että liitäntäkierukan/-letkun mukana toimitettu tasotiiviste asetettu kiristysmutteriin.

Kierrä sitten kiristysmutteri jakeluputkiston sisääntulon liitoskierteeseen käsin kiinni ja kiristä se sen jälkeen kiintoavaimella. Jos käytät liitäntäletkua, jousihakojen turvavaijerin voi kiinnittää pohjalevyn alapuolelle.

Kun liitäntäkierukka/-letku halutaan kiinnittää kaasupullon, pulloventtiiliin ja kiristysmutterin kierteet on oltava moitteettomassa kunnossa.

Kun osat liitetään uudelleen, on käytettävä uusia tiivisteitä. Vain valmistajan liitäntäkierukoita ja -letkuja saa käyttää niitä vastaavien kaasutyypin kanssa.

Tarkista liitäntäkierukan/-letkun liitoskappaleen oikean istuvuuden tasotiivisteessä. Älä käytä kiristämiseen ruuviavaimen jatkovartta, koska se voi rikkoa kierteet ja tiivisteet. Tämä voi johtaa vuotoihin.

## 6.4. ENSIMMÄISTÄ KÄYTTÖÖNOTTOA KOSKEVAT EHDOT

- Putkijärjestelmien tiiviyttä (ja tarvittaessa myös kosteutta ja partikkeleita) koskevat tarkastusprotokollat ovat saatavilla.
- Prosessikaasuputket, huuhtelukaasuputket, poistoputket ja varo- sekä suuntoventtiilien putket (mikäli saatavilla) ovat liitettynä.
- Prosessikaasuputkessa on vain vakiokaasua. (katso kohta 1.2)
- Vain koulutettu ammattihenkilökunta saa tehdä käyttöönoton.
- Käytä määräysten mukaista suojavaatetusta.
- Tarvitset ennen käyttöönottoa erikoistyökälua, joka ei tuota kipinöitä, jotta voit asentaa laitteen.
- Tarkista laitteen tyyppikilvestä ennen käyttöönottoa, soveltuuko kyseinen jakeluputkisto suunniteltuun käyttötarkoitukseen (kaasu, paine, raaka-aine jne.)

## 6.5. ENSIMMÄINEN KÄYTTÖÖNOTTO

- Kaikkien ehtojen on täyttyttävä kohdan 6.4 mukaisesti.
- Toisen painetason paineensäädin on rennossa (suljetussa) asennossa.
- Kaikki jakeluputkistossa olevat venttiilit on suljettu.



### VAROITUS!

- Jakeluputkistoon ei saa missään nimessä syöttää sallittua painemäärää suurempaa käyttöpainetta.
- Varmista ennen käyttöönottoa, ettei kukaan voi vaarantua painelaitteen käyttöönoton vuoksi.

### 6.5.1. PROSESSIKAASUHUUHELU (S300/S200/S60)

Jakeluputkistoja (S300/S200/S60) käytetään huuhtelutoiminnolla, jotta pullon vaihtamisen yhteydessä järjestelmään joutunutta ulkoilmaa voidaan poistaa ja jotta kierukkapatken tai liitäntätietkun painetta voidaan poistaa. Varmista, että poistoputki on liitettyä.

1. Prosessikaasun huuhteluventtiili on suljettu, vaihtoventtiili on poikittain virtaussuuntaan nähden (2-porttinen venttiili).
2. Paineensäädin on rennossa (suljetussa) asennossa.
3. Sulje tuloaukon sulkuventtiili, punainen merkintä on näkyvissä (4-porttinen venttiili).
4. Nyt sisääntulon sulkuventtiili on suljettu painemittarin suuntaan. Prosessikaasuhuuhteluventtiilin suuntaan vievä tie on auki.
5. Avaa pulloventtiili hitaasti.
6. Prosessikaasu virtaa liitäntäkierukka-/letkuun.
7. Sulje kaasupulloventtiili uudelleen.
8. Avaa venttiili prosessikaasuhuuhtelua varten hetkeksi ja päästä sitten liitäntäkierukka-/letkuun päässyt kaasumäärä huuhtelukaasuputkesta pois.
9. Sulje prosessikaasuhuuhteluventtiili sitten heti uudelleen.

*VAIHEET 4.–9. TOISTETAAN VÄHINTÄÄN 10 KERTAA*

### 6.5.2. HUUHELU INERTILLÄ KAASULLA (S203)

Jakeluputkistoja (S203) käytetään inertin kaasun huuhtelutoiminnolla, jotta myrkyllistä ja/tai syövyttävää kaasua voidaan poistaa ennen pullon vaihtamista ja jotta liitäntäkierukan tai -letkun painetta voidaan poistaa. Varmista, että poistoputki on liitettyä.

1. Tarkista, että huuhtelukaasun sisääntulo ja prosessikaasun ulostulo, poistoputki ja varoventtiili (mikäli saatavilla) on liitetty oikein.
2. Sulje kaikki venttiilit, punaisten merkintöjen pitää näkyä (4-tie).
3. Sulje paineensäädin kiertämällä säätöpyörää vastapäivään.
4. Avaa sisääntulon huuhteluventtiili.
5. Sulje sisääntulon huuhteluventtiili taas. Anna sisään virranneen kaasun vaikuttaa osissa muutaman sekunnin ajan.
6. Avaa ulostulon huuhteluventtiili hetkeksi ja päästä huuhtelukaasua ulos.
7. Sulje ulostulon huuhteluventtiili taas.

*VAIHEET 4.–7. ON TOISTETTAVA VÄHINTÄÄN 10 KERTAA MOITTEETTOMAN HUUHTELUTULOKSEN SAAVUTTAMISEKSI*

### 6.5.3. PROSESSIKAASUPUTKISTON TÄYTTÄMINEN PROSESSOITAVALLA KAASULLA

Tee jakeluputkiston mukainen kaasuhuuhtelu (katso kohta 6.5.1) tai inertin kaasun huuhtelu (katso kohta 6.5.2) ennen kuin otat sitä seuraavan putkistorjestelmän käyttöön tai täytät sen. Turvallisuussyistä suosittelemme joka tapauksessa asentamaan poistoputken.

1. Tarkista, että liitäntäkierukka-/letku, huuhteluputki, prosessiputki, varo- ja poistoventtiili ovat asennettuina asianmukaisesti.
2. Sulje kaikki jakeluputkiston venttiilit, punainen merkintä näkyy (4-tie).
3. Kierrä paineensäätimen säätöpyörää vastapäivään vasteeseen asti, läpikulku on siten suljettu.
4. Avaa pulloventtiili hitaasti
5. Avaa sulkuventtiili HITAASTI
6. Jakeluputkisto on nyt käytössä.
7. Jakeluputkiston paineet kannattaa tarkistaa päivittäin.

*SUOSITTELEMME JAKOTUKIN JA PAINEMITTARIEN TARKISTAMISTA PÄIVITTÄIN.*

## 6.5.4. PULLON VAIHTAMINEN



### HUOMAUTUS!

- Huomioi HTP-arvo (katso vaarallisten aineiden tekniset säännöt, TRGS 900).
- 1. Sulje kaasupullon pulloventtiili
- 2. Sulje tyhjän kaasupullon puolella oleva sisääntulon sulkuventtiili
- 3. Avaa tulo-/lähtöhuuhteluventtiili, jotta voit purkaa liitäntäkierukan tai -letkun painetta.
- 4. S300/S200/S60: Tee sisääntulon huuhtelutoiminto (katso kohta 6.5.1)  
S203: Tee huuhtelutoiminto inertillä kaasulla (katso kohta 6.5.2)
- 5. Sulje tyhjän kaasupullon puolella oleva sisääntulon sulkuventtiili
- 6. Löysää tyhjän kaasupullon pulloventtiilin liitäntäkierukkaa/-letkua
- 7. Liitä uusi käyttökaasupullo, käytä siihen kuitenkin AINA uutta tasotiivistettä

*ENNEN UUDELLEEN KÄYTTÖÖNOTTAMISTA:*

- 8. S300/S200/S60: Tee kaasuhuuhdeltu (6.5.1)  
S203 Tee huuhtelu inertillä kaasulla (6.5.2).
- 9. Täytä liitäntäkierukka/-letku prosessikaasulla.

## 6.5.5. LAITTEISTON KÄYTTÖSTÄ POISTAMINEN

Sulje jakeluputkisto kiertämällä paineensäätimen säätöpyörää vastapäivään.

Paineensäätimen sulkeminen ei takaa tiiviyttä, letkut tai liitetyt laitteet voivat vuotaa kaasua.

Sulje käyttökaasun sulkuventtiili.

Sulje myös pulloventtiili aina turvallisuussyistä.

*KUN JAKELUPUTKISTO PURETAAN KOKONAAN, ON HUOMIOITAVA SEURAAVAA:*



### VAARA!

- Paineensäätimen ja putkistojen paine on purettava päästämällä kaasua käyttölaitteesta. Etu- ja taustapainemittareiden on molempien oltava arvoltaan 0.
- Suorita tarvittaessa maakaasu- tai ulkoinen kaasuhuuhdeltu.
- Suorita tarvittaessa kaasuhuuhdeltu tai huuhtelu inertillä kaasulla.
- Noudata vastaavia henkilösuojatoimia.
- Huomioi HTP-arvoja.
- Jakeluputkistoon ei saa missään nimessä syöttää sallittua painemäärää suurempaa käyttöpainetta.
- Varmista ennen käyttöönottoa, ettei kukaan voi vaarantua painelaitteen käyttöönoton vuoksi.

FI

## 6.6. TARKISTUKSET

- Tarkista pullopainensäätimen toiminta, kun olet aloittanut paineilman syötön.
- Tarkista päästöventtiilin tiiviys. Venttiilistä ei saa pursua sisältöä.
- Varmista kaikkien venttiilien tiiviys. Venttiileistä ei saa pursua sisältöä.

## 7. KÄYTTÄMINEN

Kappaleen 2.1 mukaan jakeluputkisto on tarkoitettu käytettäväksi vakiokaasujen kanssa.



### HUOMIO!

- Käsin käytettäviä säätöpyöriä on aina avattava hitaasti ja varovasti, jotta voidaan välttää paineiskuja järjestelmässä ja suojata muita osia.

## 8. HUOLTAMINEN

### 8.1. HUOLTOA KOSKEVAT VAROTOIMET



### HUOMIOITAVAA!

- Vain koulutettu ja valtuutettu ammattihenkilökunta saa suorittaa huoltotöitä (katso kappale 2.4).

## 8.2. HUOLTOSUUNNITELMA

Seuraavissa osiassa kuvataan huoltotöitä, joita vaaditaan laitteen optimaaliseen ja virheettömään käyttöön.

Jos säännöllisessä tarkastuksessa havaitaan kohonnut kulumisaste, lyhennä huoltoväliä todellista kulumisastetta vastaavaksi.



### HUOMIOITAVAA!

- Kaikissa huoltotöihin ja huoltoaikaväleihin liittyvissä kysymyksissä ole yhteydessä asiakaspalveluun.

Väli aika	Huoltotyö	Henkilökunta
Vii koittain	Kaikkien osien visuaalinen tarkastus	Valtuutettu henkilö (TRBS 1203)
Kerran vuodessa	Toimintojen ja tiivi yden käyttöte- taus kaikissa turvallisuuteen liittyvissä osissa	Valtuutettu henkilö (TRBS 1203)
10 vuoden välein	Kaikkien kuluvien osien yleishuolto ja vaihto	Valtuutettu henkilö (TRBS 1203)

## 8.3. HUOLTOTYÖT

### 8.3.1. PUHDISTAMINEN



### HUOMIOITAVAA!

- Puhdistusaineiden on sovittava materiaaleille, joiden puhdistamiseen niitä käytetään.

### 8.3.2. HUOLTOEHDOT

TARKISTA SEURAAVA ENNEN HUOLTAMISTA

- Kaasunsyöttö on keskeytetty ja varmistettu.
- Jakeluputkisto on paineeton.
- Paineensäätimessä ei ole painetta.
- Venttiili on suljettu.
- Järjestelmässä ei ole enää prosessoitavaa kaasua.
- Järjestelmä on huuhdeltu inertillä kaasulla.

### 8.3.3. TARPEELLISET HUOLTOTOIMET

- Tarkista painearvojen osoitetun arvon tarkkuus.
- Jakeluputkisto, paineensäädin, venttiili ja painearvojen näyttö: tarkista toiminta, kunto ja merkinnät.
- Tarkista merkinnät.
- Varmista, ettei ruostetta ole.
- Tarkista toiminta.
- Tiivi ystesti yksinkertaisella käyttöpaineella 12 tunnin ajan.
- Kuluneet ja rikki näiset rakenneosat on korvattava välittömästi, tähän tehtävään on ehdottomasti tilattava valtuutettu ammattiryitys.
- Venttiilien muotoilu on standardin ISO 10297 mukainen. Sii hen sisältyy tyyppitesti, jossa venttiilille tehdään 2000:n käyttöjakson käyttöikätesti. Aineiden kanssa kosketuksissa olleet sisäiset rakenneosat on korvattava 2000:n käyttöjakson jälkeen, tähän tehtävään on ehdottomasti tilattava valtuutettu ammattiryitys.
- Jos havaitset kaasun jakeluputkistossa, paineensäätimessä tai venttiilissä epätiivi yttä tai liiallista syöpy mistä, ne on vaihdettava kokonaan lähimpänä mahdollisena hetkenä valtuutetun ammattiryityksen toimesta.
- Kun osat tai putkistoryhmät on vaihdettu, painetesti on tehtävä uudelleen ja kirjattava protokollaan.

## 8.4. HUOLLON JÄLKEISET TOIMET

KUN HUOLTOTYÖT ON TEHTY JA ENNEN KUIN KAASUN JAKELUPUTKISTO, PAINEENSÄÄDIN TAI VENTTIILI OTETAAN TAKAISIN KÄYTTÖÖN, ON SUORITETTAVA SEURAAVAT VAIHEET:

1. Varmista, että kaikki käytetyt työkalut, materiaalit ja muut varustelut on poistettu työalueelta.
2. Puhdista työalue ja poista mahdollisesti tippuneet aineet, kuten nesteet tai prosessoitavat materiaalit.
3. Varmista, että järjestelmän kaikki turvallisuusvarustelut toimivat moitteettomasti.

## 9. VIANMÄÄRITYS

Seuraavassa kappaleessa on esitetty vikojen mahdollisia syitä ja keinoja niiden poistamiseen. Jos vikatiloja alkaa esiintyä useammin, huoltoaikavälejä on lyhennettävä järjestelmän todellista kuormitusta vastaavaksi. Jos vikatiloja ei saada poistettua seuraavien ohjeiden avulla, ota yhteyttä valmistajaan.

### 9.1. PURKAMISTA JA HÄVITTÄMISTÄ KOSKEVAT VAROTOIMET

Jos vikatila ilmenee, keskeytä kaasunsyöttö, purkaa paineensäätimen paine ja sulje venttiilit. Älä missään tapauksessa tee huoltotöitä, kun rakenneosissa on painetta.

TOIMI NÄIN, JOS VIKA ILMENEE:

1. Keskeytä kaasunsyöttö ja varmista se.
2. Purkaa paineensäätimen paine, sulje venttiilit.
3. Vain ammattihenkilökunta saa poistaa vikatiloja.
4. Palauta laite lähtötilannetta vastaavaksi.

Kuvaus	Syy	Ratkaisu	Venttiili	Pullo-paineensäädin	Putkisto-paineensäädin	Kaasun purkausase- ma
Ei läpivirtausta (tulo painemittarissa näkyy paine, lähtöpainemittarissa ei)	Painemittari on suljettu	Avaa painesäädin hitaasti sulje huuhteluventtiili		<input checked="" type="checkbox"/>	<input checked="" type="checkbox"/>	<input checked="" type="checkbox"/>
Ei läpivirtausta (molemmat painemittarit näyttävät nollassa)	Pulloventtiili on suljettu, käyttökaasuventtiili on suljettu, painesäädin on suljettu, kierukka/letku ei ole kiinnitettyinä	Käyttöön-otto kohdan 6 mukaan. Asennus nja ensimmäinen käyttöön-otto		<input checked="" type="checkbox"/>	<input checked="" type="checkbox"/>	<input checked="" type="checkbox"/>
Ei läpivirtausta	Painemittari on suljettu	Avaa painesäädin hitaasti	<input checked="" type="checkbox"/>			
Taustapaineen nousu & poistoventtiili avattuna	Vuoto paineensäätimen istukassa	Valmistajan tekemä korjaus		<input checked="" type="checkbox"/>	<input checked="" type="checkbox"/>	<input checked="" type="checkbox"/>
Lievä taustapaineen nousu & poistoventtiili ei aukea	Etupaineen lasku	Ei ole virhe, normaali käyttötila		<input checked="" type="checkbox"/>	<input checked="" type="checkbox"/>	<input checked="" type="checkbox"/>

Kuvaus	Syy	Ratkaisu	Venttiili	Pullo- paineen- säädin	Putkisto- paineen- säädin	Kaasun purkausase- ma
Lievä tausta- paineen nousu	Virtaus- paineen (läpi- virtauksella) ja patopaineen (ei läpivir- tausta) välinen ero	Ei ole virhe, normaali käyttötila		<input checked="" type="checkbox"/>	<input checked="" type="checkbox"/>	<input checked="" type="checkbox"/>
Lievä tausta- paineen lasku	Virtaus- paineen (läpi- virtauksella) ja patopaineen (ei läpivir- tausta) välinen ero	Ei ole virhe, normaali käyttötila		<input checked="" type="checkbox"/>	<input checked="" type="checkbox"/>	<input checked="" type="checkbox"/>
Voimakas tausta- paineen lasku	Paineen- säätimen vaadittu läpi- virtaus on liian suuri	Valitse uusi paineensäädin vaaditulle paineelle ja läpivirtaukselle		<input checked="" type="checkbox"/>	<input checked="" type="checkbox"/>	<input checked="" type="checkbox"/>
Voimakas tausta- paineen lasku	Prosessi- kaasuputkistot epätiivit	Tarkista prosessikaasu- putkistot		<input checked="" type="checkbox"/>	<input checked="" type="checkbox"/>	<input checked="" type="checkbox"/>
Lähtöpaine on liian suuri	Säätimen asetus on väärä	Sovita paineen- säätimen asetukset, säädä sopiv- aksi, huolla		<input checked="" type="checkbox"/>	<input checked="" type="checkbox"/>	<input checked="" type="checkbox"/>
Taustapaine nousee heti vasteeseen asti tai nousee hitaasti asetetun arvon yli ja päästö- venttiili pu- haltaa	Steiger-istukka on likaantunut tai vioittunut	Valmistajan tekemä korjaus		<input checked="" type="checkbox"/>	<input checked="" type="checkbox"/>	<input checked="" type="checkbox"/>
Melua käytön aikana	Paineen- säätimen vaadittu läpi- virtaus on liian suuri	Valitse uusi paineensäädin vaaditulle paineelle ja läpivirtaukselle		<input checked="" type="checkbox"/>	<input checked="" type="checkbox"/>	<input checked="" type="checkbox"/>
Venttiili- ohjauksessa ei muutosta, vaikka kierrän säästöpyörää	Säästöpyörä on rikki liian voimakkaasta kiertomomen- tista johtuen, kara rikki, kierteet rikki	Valmistajan tekemä korjaus	<input checked="" type="checkbox"/>	<input checked="" type="checkbox"/>	<input checked="" type="checkbox"/>	<input checked="" type="checkbox"/>

Kuvaus	Syy	Ratkaisu	Venttiili	Pullo- paineen- säädin	Putkisto- paineen- säädin	Kaasun purkausase- ma
Paineen- säätimessä kosteutta (Ei kastetta, sadetta tai lunta)	Paineensäädin vetää pu- oleensa energiaa ympäristöstä purkamalla kaasua	Ei ole virhe, normaali käyttötila		☑	☑	☑
Paineen- säätimessä jäättä (Ei kastetta, sadetta tai lunta)	Paineensäädin vetää pu- oleensa energiaa ympäristöstä purkamalla kaasua, paine- kaasusäiliön rajoittunut suoritus, esim. N <sub>2</sub> O:n, CO <sub>2</sub> :n yhteydessä	Ei ole virhe, normaali käyttötila HUOMIO: Kiinnitä huomio kontaktipaine- mittareihin, lisää paine- kaasusäiliöiden määrää		☑	☑	☑

Tämän luettelon tiedot eivät ole täydelliset. Jos ilmenee kysyttävää, ota yhteyttä valmistajaan.

## 10. PURKAMINEN JA HÄVITTÄMINEN

Kun laitteen käyttöikä on täyttynyt, se on purettava ja hävitettävä ympäristöystävällisellä tavalla.

### 10.1. PURKAMISTA JA HÄVITTÄMISTÄ KOSKEVAT VAROTOIMET

FI



**VAROITUS!**

- **Epäasianmukainen purkaminen aiheuttaa loukkaantumisvaaraan!**
- Laitteessa kiinni ja sisällä olevat sekä käytössä olevien työkalujen varastoitunut energia, kulmikkaat rakenneosat, terät ja kulmat voivat aiheuttaa loukkaantumisvaaran.
- Varmista ennen työn aloittamista, että sinulla on riittävästi tilaa.
- Käsittele avoimia ja teräviä rakenneosia varovaisesti.
- Kiinnitä huomiota työpaikan puhtauteen!
- Irrallisesti päällekkäin kasatut ja ympäristössä lojuvat rakenneosat ja työkalut ovat onnettomuuden aiheuttajia.
- Purkaa rakenneosat asianmukaisesti. Huomioi rakenneosien omapaino osittain. Käytä tarvittaessa nostolaitetta.
- Aseta rakenneosat hyvin paikalleen, etteivät ne tipu tai kaadu.
- Jos ilmenee epäselvyyksiä, selvitä ne valmistajalta.

### 10.2. PURKAMINEN

#### ENNEN PURKAMISEN ALOITTAMISTA

Sulje jakeluputkiston toisen paineasteen paineensäädin kiertämällä säätöpyörää vastapäivään.

Purkaa jakeluputkiston paineensäätimessä oleva kaasu ja varista, ettei sen sisällä ole enää prosessoitavaa kaasua.

Purkaa koko järjestelmän kaasu ja tee tarvittaessa huuhtelu inerttikaasulla.

Purkaa putkiston korkeapainepuolen paine huuhtelukaasuventtiilin kautta.

Valitse version mukaan joko kaasuhuuhtelu tai huuhtelu inertillä kaasulla.

Poista käyttö- ja apuaineet sekä yli jääneet prosessoitavat materiaalit ja hävitä ne asianmukaisella tavalla.

Puhdista sitten rakenneosaryhmät ja osat ammattimaisella tavalla ja purkaa ne julkisten työsuojelu- ja ympäristösuojelusäädösten mukaisesti.





## VAROITUS!

- **Älä avaa järjestelmää, jos siinä on vielä myrkyllistä ja/tai syövyttävää kaasua!**

### 10.3. HÄVITTÄMINEN

Jos osien palauttamisesta tai hävittämisestä ei ole sovittu erikseen, toimita puretut osat kierrätettäväksi:

metallit romutettuina

muoviosat kierrätykseen

muut osat materiaalille sopivalla kierrätystavalla.

GCE-yhtiö, s.r.o. kantaa vastuun REACH-määräyksen artiklan 33 mukaisesti asiakkaiden tiedottamisesta, jos materiaalit sisältävät 0,1 % tai enemmän luettelossa erityistä huolta aiheuttavasta aineesta.

Laitteen runko ja muut messinkiset rakenneosat koostuvat eniten käytetystä messinkiseoksesta, jossa on 2–3 % lyijyä, EY-nro 231-468-6, CAS-nro 7439-92-1. Normaalissa käytössä lyijyä ei päädy kaasun joukkoon tai ympäristöön. Laitteen saavutettuaan enimmäiskäyttöikänsä se tulee hävittää valtuutetun metallikierrätysyrityksen kautta, jotta materiaalilla olisi mahdollisimman vähän vaikutusta ympäristöön ja terveyteen.

Tähän päivään mennessä ei ole kertynyt tietoa siitä, että GCE-tuotteiden erityistä huolta aiheuttava ainepitoisuus olisi yli 0,1 %.



## HUOMIOITAVAA!

- **Vääränlainen hävittäminen aiheuttaa ympäristövaaran!**
- Vääränlainen hävittäminen voi aiheuttaa ympäristövaaran.
- Sähköromu, elektroniikkaosat, voiteluaineet ja muut apuaineet on hävitettävä valtuutetun ammattitoimijan kautta.
- Jos et ole varma, miten osia hävitetään ympäristöystävällisellä tavalla, ota yhteyttä julkiseen jätehuoltoon ja pyydä lisätietoa.

# INNEHÅLL

<b>1. ALLMÄN</b> .....	<b>302</b>
1.1. INFORMATION OM DENNA BRUKSANVISNING .....	302
1.2. INFORMATION OM TÖMNINGSCENTRALEN .....	302
1.2.1. S300/S200/S60.....	303
1.2.2. S203 .....	303
1.3. SYMBOLFÖRKLARING .....	303
1.4. ANSVARSBEGRÄNSNING .....	304
1.5. UPPHOVSRÄTTSSKYDD.....	304
1.6. RESERVDELAR .....	304
1.7. GARANTIVILLKOR.....	305
1.8. KUNDSERVICE.....	305
<b>2. SÄKERHET</b> .....	<b>305</b>
2.1. AVSEDD ANVÄNDNING .....	305
2.1.1. OMBYGGNAD AV TÖMNINGSCENTRALEN .....	305
2.2. GRUNDLÄGGANDE FAROR.....	305
2.3. DRIFTSANSVARIGS ANSVAR .....	306
2.4. PERSONALBEHOV .....	307
2.4.1. KVALIFIKATIONER .....	307
2.4.2. OBEHÖRIGA .....	308
2.4.3. INSTRUKTION .....	308
2.5. PERSONLIG SKYDDSUTRUSTNING.....	308
2.6. VAD BÖR MAN GÖRA VID BRAND OCH OLYCKOR.....	309
2.7. MILJÖSKYDD .....	309
2.8. SKYLTNING.....	309
2.8.1. PÅBUDSTECKEN .....	309
2.8.2. FÖRBUDSTECKEN.....	309
2.8.3. VARNINGSTECKEN .....	309
<b>3. TEKNISKA SPECIFIKATIONER</b> .....	<b>310</b>
3.1. FLÖDESCHEMA – S300/S200/S60 .....	310
3.2. MÅTTBESKRIVNING – S300/S200/S60 .....	311
3.3. FLÖDESCHEMA – S203.....	312
3.4. MÅTTBESKRIVNING – S203 .....	313
3.5. ALLMÄN INFORMATION.....	314
3.6. ANSLUTNINGSVÅRDEN.....	314
3.7. PRESTANDA .....	314
3.8. DRIFTSVILLKOR OMGIVNING .....	314
<b>4. KONSTRUKTION OCH FUNKTION</b> .....	<b>315</b>
4.1. KONSTRUKTION – S300/S200/S60 .....	315
4.2. KONSTRUKTION – S203.....	315
4.3. KORT BESKRIVNING .....	315
<b>5. TRANSPORT, FÖRPACKNING OCH LAGRING</b> .....	<b>316</b>
5.1. SÄKERHETSINSTRUKTIONER FÖR TRANSPORTEN.....	316
5.2. TRANSPORTINSPEKTION .....	316
5.3. FÖRPACKNING .....	316
5.4. FÖRVARING.....	317
<b>6. INSTALLATION OCH FÖRSTA IDRIFTTAGANDE</b> .....	<b>317</b>
6.1. SÄKERHETSANVISNINGAR FÖR INSTALLATIONEN OCH FÖRSTA IDRIFTTAGANDE .....	317
6.2. FÖRBEREDELSE .....	317
6.3. INSTALLATION.....	317
6.4. FÖRUTSÄTTNINGAR FÖR FÖRSTA IDRIFTTAGANDE.....	318
6.5. FÖRSTA IDRIFTTAGANDE.....	318
6.5.1. PROCESSGASSPOLNING (S300/S200/S60).....	318
6.5.2. EXTERN GASSPOLNING (S203) .....	319
6.5.3. Fyllning av processgasledning med processgas.....	319
6.5.4. FLASKBYTE.....	319
6.5.5. URDRIFTTAGNING.....	319
6.6. KONTROLLER.....	320

<b>7. DRIFT</b> .....	<b>320</b>
<b>8. UNDERHÅLL</b> .....	<b>320</b>
8.1. SÄKERHETSINSTRUKTIONER FÖR UNDERHÅLL .....	320
8.2. UNDERHÅLLSSCHEMA .....	320
8.3. UNDERHÅLLSARBETE .....	321
8.3.1. RENGÖRING .....	321
8.3.2. UNDERHÅLLSFÖRUTSÄTTNING .....	321
8.3.3. NÖDVÄNDIGT UNDERHÅLL .....	321
8.4. ÅTGÄRDER EFTER UNDERHÅLL .....	321
<b>9. STÖRNINGAR</b> .....	<b>322</b>
9.1. SÄKERHETSINSTRUKTIONER FÖR FELSÖKNING .....	322
<b>10. DEMONTERING OCH BORTSKAFFANDE</b> .....	<b>324</b>
10.1. SÄKERHETSINSTRUKTIONER FÖR DEMONTERING OCH KASSERING .....	324
10.2. DEMONTERING .....	324
10.3. BORTSKAFFANDE .....	325

# SVENSK

## BRUKSANVISNING: TÖMNINGSCENTRAL

### 1. ALLMÄN

#### 1.1. INFORMATION OM DENNA BRUKSANVISNING

Dessa instruktioner gäller tömningsventiler av typen:

- S300
- S203
- S200
- S60

Dessa tömningscentraler används för att tömma gas från tryckgasbehållare och för att avgasa dem. Tömningscentralen är fast monterade på väggen och anslutna till gastryckbehållare via spiralledningar eller korrugerade slangar. Dessa anvisningar möjliggör en säker och effektiv användning av enheten. Anvisningarna är en del av enheten och måste förvaras i närheten av enheten och alltid finnas tillgängliga för personal. Personalen måste noggrant ha läst igenom och förstått dessa instruktioner. Grundförutsättning för ett säkert arbete är att alla säkerhetsinstruktioner och hanteringsanvisningar efterföljs. Dessutom gäller lokala föreskrifter för förebyggande av olyckor och allmänna säkerhetsföreskrifter för apparatens tillämpningsområde. Illustrationerna i dessa instruktioner tjänar främst som översikt och kan skilja sig från den verkliga versionen.

#### 1.2. INFORMATION OM TÖMNINGSCENTRALEN

Tömningscentraler av denna typ får endast användas med de gaser som definieras som föras. Det maximala arbetstrycket för dessa tömningscentraler är 300 bar. Enstegs tömningscentraler består av ventiler och tryckregulatorer med metallmembran. Tillverkad och godkänd enligt ISO7291/10297 inklusive syreutbränningstest.

Produktlinje	(Renhet 6.0   förkromad mässing)	(renhet 6.0   rostfritt stål)
Med FKM-position utblåsningsventilens	<ul style="list-style-type: none"><li>• Tillämpliga gaser (inklusive deras blandningar):<ul style="list-style-type: none"><li>• High Purity</li><li>• Inert</li><li>• Brandfarlig</li><li>• Oxiderande</li><li>• O<sub>2</sub></li></ul></li><li>• Gaser som INTE får användas (inklusive deras blandningar):<ul style="list-style-type: none"><li>• Frätande</li><li>• Giftig</li><li>• CO<sub>2</sub>, N<sub>2</sub>O</li></ul></li></ul>	<ul style="list-style-type: none"><li>• Tillämpliga gaser (inklusive deras blandningar):<ul style="list-style-type: none"><li>• High Purity</li><li>• Inert</li><li>• Brandfarlig</li><li>• O<sub>2</sub> upp till 200 bar</li><li>• Frätande (vid oklarheter kontakta oss)</li></ul></li><li>• Giftig (vid oklarheter kontakta oss)</li><li>• Gaser som INTE får användas (inklusive deras blandningar):<ul style="list-style-type: none"><li>• O<sub>2</sub> över 200 bar</li><li>• CO<sub>2</sub>, N<sub>2</sub>O</li><li>• NH<sub>3</sub>, SO<sub>2</sub>, H<sub>2</sub>S</li></ul></li></ul>

Med <b>EPDM</b> -position utblåsningsventilens	<ul style="list-style-type: none"> <li>• Tillämpliga gaser (inklusive deras blandningar): <ul style="list-style-type: none"> <li>• High Purity</li> <li>• Inert</li> <li>• Brandfarlig</li> <li>• Oxiderande</li> <li>• CO<sub>2</sub>, N<sub>2</sub>O</li> </ul> </li> <li>• Gaser som INTE får användas (inklusive deras blandningar): <ul style="list-style-type: none"> <li>• Frätande</li> <li>• Giftig</li> <li>• O<sub>2</sub> (andel större än 21 %)</li> <li>• Kolväten</li> </ul> </li> </ul>	<ul style="list-style-type: none"> <li>• Tillämpliga gaser (inklusive deras blandningar): <ul style="list-style-type: none"> <li>• High Purity</li> <li>• Inert</li> <li>• Brandfarlig</li> <li>• Oxiderande</li> <li>• Frätande (vid oklarheter kontakta oss)</li> <li>• Giftig (vid oklarheter kontakta oss)</li> <li>• CO<sub>2</sub>, N<sub>2</sub>O</li> <li>• NH<sub>3</sub>, SO<sub>2</sub>, H<sub>2</sub>S</li> </ul> </li> <li>• Gaser som INTE får användas (inklusive deras blandningar): <ul style="list-style-type: none"> <li>• O<sub>2</sub> (andel större än 21 %)</li> <li>• Kolväten</li> </ul> </li> </ul>
------------------------------------------------	---------------------------------------------------------------------------------------------------------------------------------------------------------------------------------------------------------------------------------------------------------------------------------------------------------------------------------------------------------------------------------------------------------------------------------------------------------------------------------------------------------	-------------------------------------------------------------------------------------------------------------------------------------------------------------------------------------------------------------------------------------------------------------------------------------------------------------------------------------------------------------------------------------------------------------------------------------------------------------------------------------------------------------------------------------------------------------------------------------------------------------------------------

Denna tabell gör inte anspråk på att vara uttömmande. För frågor och osäkerheter kontakta tillverkaren.

### 1.2.1. S300/S200/S60

Den här tönningscentralen finns i förkromad mässing och i rostfritt stål. Den består av följande komponenter:

- Tryckregulator med manometer för inlopp och utlopp
- Spolningsventil för spolning med processgas & 4-ports avstängningsventil vid inlopp
- Utblåsningsventil
- Frontpanel och basplatta

TILLSATS

- S: Säkerhetsventil vid utloppet
- C: Backventiler vid inloppen
- U: Säkerhetsventil vid utloppet och backventiler vid inloppen.

### 1.2.2. S203

Den här tönningscentralen finns endast i rostfritt stål. Den består av följande komponenter:

- Tryckregulator med manometer för inlopp och utlopp
- Två 4-portsventiler och en 2-portsventil för extern inertgasspolning vid inloppen
- Utblåsningsventil
- Frontpanel och basplatta

TILLSATS

- S: Säkerhetsventil vid utloppet

## 1.3. SYMBOLFÖRKLARING

### SÄKERHET-SANVISNINGAR

Säkerhetsanvisningar utmärks med symboler i denna bruksanvisning. Säkerhetsanvisningarna inleds av signalord som uttrycker hur allvarlig en fara är.



**FARA!**

Denna kombination av symbol och signalord indikerar en omedelbart farlig situation som kan leda till döden eller allvarliga skador om den inte undviks.



**VARNING!**

Denna kombination av symbol och signalord indikerar en potentiellt farlig situation som kan leda till döden eller till allvarliga skador om den inte undviks.



**VAR FÖRSIKTIG!**

Denna kombination av symbol och signalord indikerar en potentiellt farlig situation som kan leda till mindre eller lättare skador, om den inte undviks.

SV



#### OBSERVERA!

Denna kombination av symbol och signalord indikerar en potentiellt farlig situation, som kan leda till skador på egendom och omgivning, om den inte undviks.



#### TIPS OCH REKOMMENDATIONER

Den här symbolen märker också ut användbara tips, samt information som bidrar till en effektiv och problemfri drift.

### SÄRSKILDA ANVISNINGAR

För att uppmärksamma särskilda faror används följande symboler i säkerhetsanvisningarna.



#### FARA!

Denna kombination av symbol och signalord indikerar en omedelbart farlig situation på grund av elektrisk ström. Om ett meddelande som är markerat på detta sätt inte efterföljs leder det till allvarliga eller dödliga skador.

## 1.4. ANSVARSBEGRÄNSNING

All information och instruktioner i den här handboken har gjorts med beaktande av gällande standarder och föreskrifter, den senaste tekniken och vår mångåriga kunskap och erfarenhet.

Tillverkaren tar inget ansvar för skador i följande fall:

- När dessa anvisningar inte efterföljs
- Vid användning som avviker från avsedd användning
- Användning av utbildad personal
- Tekniska och strukturella ombyggnader utförs av obehöriga
- Användning av icke-godkända reservdelar
- Användning av trycksatta enheter med defekta säkerhetsanordningar eller med säkerhets- och skyddsanordningar som inte felinstallerats eller inte fungerar korrekt
- Otillräcklig övervakning av utrustning, bultar och tätningsdelar som är utsatta för slitage
- Felaktigt utförda reparationer
- Över- eller underskridelse av temperaturintervall som anges i databladet under drift eller förvaring
- Katastrofer orsakade av externa föremål och force majeure

Det faktiska leveransomfånget kan variera när det gäller specialkonstruktioner, särskilda beställningsalternativ eller på grund av de senaste tekniska ändringarna av den här beskrivna informationen och framställningen. De skyldigheter som överenskommit i leveransavtalet gäller, de allmänna köpvillkoren samt tillverkarens leveransvillkor och de lagföreskrifter som gäller vid tidpunkten för avtalets ingående gäller.

## 1.5. UPPHOVSRÄTTSSKYDD

Innehållet i dessa instruktioner skyddas av upphovsrätten. Användningen av dem är tillåten i samband med användning av enheten. All ytterligare användning är tillåten utan skriftligt medgivande från tillverkaren.

## 1.6. RESERVDELAR



#### VARNING!

- Risk för skada på grund av användning av felaktiga reservdelar!
- Användning av felaktiga eller defekta reservdelar kan orsaka risker för personalen samt skador, fel eller bortfall.
- Använd endast originalreservdelar från tillverkaren eller reservdelar som godkänts av tillverkaren.
- Kontakta alltid tillverkaren vid tveksamma fall.



#### GARANTIFÖRLUST!

- Användning av icke-godkända reservdelar gör att tillverkarens garanti upphör att gälla.

## 1.7. GARANTIVILLKOR

I princip gäller våra "Allmänna försäljnings- och leveransvillkor".

Dessa är tillgängliga för kunden senast efter det att avtalet har ingåtts.

## 1.8. KUNDSERVICE

Vi är alltid intresserade av information och erfarenheter som härrör från användningen av våra produkter.

# 2. SÄKERHET

Detta avsnitt ger en översikt över alla viktiga säkerhetsaspekter som gäller personskydd samt en säker och problemfri drift. Ytterligare arbetsrelaterade säkerhetsinstruktioner finns i avsnitten om de olika livscyklerna.

## 2.1. AVSEDD ANVÄNDNING

Tömningscentralerna får endast användas med de specificerade gaserna och trycken med angivna temperaturer. Det nominella volymflödet är 20 m<sup>3</sup>/h (tryckluft). Avsedd användning inkluderar även att all information och instruktioner i denna manual efterlevs och att man följer inspektions- och underhållsrutiner, samt observerar typskyltar och datablad. All användning som går utöver den avsedda användningen betraktas som missbruk.



### VARNING!

- **Fara vid felaktig användning!**
- Felaktig användning av tömningscentralerna kan leda till farliga situationer.
- Använd aldrig tömningscentralerna för vätskor.
- Anslut aldrig källor med högre ingångstryck än vad som är avsett för motsvarande tryckkontrollpanel.

### 2.1.1. OMBYGGNAD AV TÖMNINGSCENTRALEN

Inga ändringar, tillägg eller modifieringar av tömningscentralen får ske utan skriftligt medgivande från tillverkaren.

Tömningscentraler som inte är i perfekt skick måste bytas ut omedelbart

Rengöring av gasapparater och bortskaffande av rester

Tömningscentraler som repareras bör spolas med en inert gas (kväve).

Generering av buller

I vissa fall kan den ogynnsamma interaktionen mellan vissa påverkande variabler, t.ex. flöde och tryckområdet, men även själva gastypen kan leda till buller. Ta i dylika fall helst kontakt med tillverkaren.

## 2.2. GRUNDLÄGGANDE FAROR

I följande avsnitt listas kvarstående risker som kan förekomma med enheten trots att den används på rätt sätt. För att minska riskerna för person- och materialskador och för att undvika farliga situationer, måste följande säkerhetsinstruktioner samt säkerhetsinstruktionerna i ytterligare avsnitt följas.



### FARA!

- **Gaser kan vara livshotande!**
- Gaser kan tränga ut luft och därmed även syret som den innehåller. Detta kan leda till kvävningsdöd. Syre skapar en mycket oxidativ atmosfär. Brandfarliga gaser kan orsaka en explosiv atmosfär.

**DÄRFÖR:**

- Sörj för tillräcklig ventilation!
- Installation bör endast utföras av ett certifierat specialföretag!
- Observera ATEX-föreskrifterna



#### OBSERVERA!

- **Faror som kan uppstå på grund av omgivningen!**  
Kondensering och/eller isbildning kan orsaka fel på enheten.

#### DÄRFÖR:

- Observera temperaturintervallet!
- Skydda enheten mot yttre vätskor!
- Skydda enheten mot yttre damm!
- Installera väderskydd!
- Fäst befintlig jordning på rätt sätt!



#### VARNING!

- **Risk för olyckor vid användning av olja och fett!**  
Oljor och fetter får aldrig användas i tryckregleringssystem. Oljor och fetter är lättantändliga och reagerar våldsamt med vissa komprimerade gaser.

#### DÄRFÖR:

- Använd aldrig olja eller fett!



#### VARNING!

- **Risk för olyckor på grund av den energi som lagrats i systemet!**  
Felaktig hantering kan leda till att tryckbärande delar eller enskilda delar av dessa rörsig okontrollerat och orsaka allvarliga eller till och med dödliga skador. På grund av felaktig hantering kan gas läcka ut från de tryckbärande delarna och orsaka allvarliga eller till och med dödliga skador.

#### INNAN DU BÖRJAR ALLT ARBETE MED TRYCKBÄRANDE DELAR:

- Installation bör endast utföras av ett certifierat specialistföretag!
- Använd skyddsglasögon!
- Använd hörselskydd!
- Se till att systemet inte är under tryck!
- Se till att ingen mer energi lagras i systemet!
- Se till att ingen gas kan komma ut av misstag!
- Se till att defekta delar omedelbart byts ut av utbildad personal!



#### VARNING!

- **Olycksrisk!**  
Felaktig installation kan orsaka allvarliga eller till och med dödliga skador.

#### DÄRFÖR:

- Säkerställ att enheterna inte faller ner under installationen!
  - Vält inte utrustningen!
- Tryckbärande delar får endast användas för det avsedda ändamålet.

Vid mekaniska skador på rörledningar och kopplingar måste systemet kopplas om till säkert läge (spärrar det berörda avsnittet).

Fel som kan påverka säkerheten måste omedelbart åtgärdas av utbildad och kvalificerad personal eller tillverkaren.

Särskilt när det gäller gaser finns det en risk för fel på tryckregulatorn. Kännetecknet för detta är antingen inget gasgenomflöde efter tryckregulatorn eller en plötslig ökning av baktrycket. Om det finns ett fel på tryckregulator, måste systemet omedelbart tas ur drift. Ansvarigt underhållsföretag måste informeras. Stäng aldrig utblåsningsledningarna.

## 2.3. DRIFTSANSVARIGS ANSVAR

#### DRIFTSANSVARIG

Driftsansvarig är den person som använder anordningen i kommersiellt eller ekonomiskt syfte eller överlåter en tredje part användning/tillämpning och samtidigt behåller det rättsliga ansvaret för skydd av användaren, personalen eller tredje part.



### DRIFTSANSVARIGS PLIKTER

Enheten används inom den kommersiella sektorn. Driftsansvarig för apparaten omfattas därför av de lagstadgade kraven kring arbets säkerhet.

Utöver säkerhetsanvisningarna i denna handbok måste gällande säkerhetsföreskrifter, olycksförebyggande- och miljöskyddsbestämmelser relevanta för enhetens användningsområde följas.

### FÖLJANDE GÄLLER SÄRSKILT:

- Driftsansvarig ska informera sig om de tillämpliga bestämmelserna om hälsa och säkerhet på arbetsplatsen och vid bedömningen av farorna beakta de särskilda arbetsförhållandena på platsen där enheten ska användas. Detta måste tillhandahållas i form av bruksanvisningar för driften av enheten.
- Under hela användningstiden ska driftsansvarig kontrollera att driftsinstruktionerna motsvarar aktuellt regelverk och anpassa dem vid behov.
- Driftsansvarig skall fastställa ansvaret för installation, drift, avhjälpande av fel, underhåll och tydligt reglera och definiera rengöring.
- Driftsansvarig måste se till att alla personer som hanterar apparaten har läst och förstått dessa anvisningar. Dessutom måste hen regelbundet utbilda personalen och informera dem om farorna.
- Driftsansvarig ska förse personalen med nödvändig skyddsutrustning och kräva att personalen bär den. Dessutom är operatören ansvarig för att se till att systemets fullständiga tekniska tillförlitlighet alltid är garanterad.

### FÖLJANDE GÄLLER DÄRFÖR:

- Operatören måste se till att de underhållsintervall som anges i denna handbok följs.
- Operatören ska se till att alla säkerhetsanordningar regelbundet kontrolleras för att säkerställa att de fungerar tillförlitligt och är kompletta

## 2.4. PERSONALBEHOV

### 2.4.1. KVALIFIKATIONER

De olika uppgifter som beskrivs i den här handboken ställer olika kvalificeringskrav på personen som ansvarar för uppgiften.



#### VARNING!

- **Det är riskfyllt med otillräckligt kvalificerad personal!**
- Otillräckligt kvalificerade personer kan inte bedöma riskerna som följer med att hantera enheten och kan utsätta sig själva och andra för risken att drabbas av allvarliga eller dödliga skador.
- Allt arbete får endast utföras av kvalificerade personer!
- Håll otillräckligt kvalificerade personer borta från arbetsområdet!

Endast personer som kan förväntas utföra detta arbete på ett tillförlitligt sätt får anförtros arbetet. Människor vars reaktionsförmåga påverkats, t.ex. genom droger, alkohol eller medicinering är inte tillåtna.

I dessa bruksanvisningar omnämns följande kvalificerad personal för olika uppgifter:

#### INGENJÖR INOM GASTEKNIK

Har specialistutbildning, färdigheter, erfarenhet och kunskap om de relevanta standarder och riktlinjer som krävs för att arbete med tryckregleringssystem och identifiera potentiella risker. Gastekniks ingenjörer är specialutbildade med avseende på respektive produktionsanläggning och dess specifika standarder och riktlinjer.

#### TEKNIKER

Har specialistutbildning, färdigheter och erfarenhet om relevanta standarder och riktlinjer som krävs för att utföra arbete med tryckregleringssystem och känna igen potentiella risker.

## 2.4.2. OBEHÖRIGA



### VARNING!

- **Livsfara för obehöriga personer på grund av faror i risk- och arbetsområdet!**
- Obehöriga personer som inte uppfyller de krav som beskrivs här är inte tillräckligt insatt i farorna i arbetsområdet. Det finns därför risk för allvarlig skada eller till och med dödsfall för obehöriga personer.
- Håll obehöriga personer borta från risk- och arbetsområdet!
- I tveksamma fall, gå fram till personer och dirigera dem bort från risk- och arbetsområdet!
- Avbryt arbetet så länge obehöriga befinner sig i farligt område eller arbetsområdet!

## 2.4.3. INSTRUKTION

Driftansvarig ska regelbundet instruera personalen. För en bättre uppföljning bör ett instruktionsprotokoll innehålla minst följande:

- Datum för instruktionen
- Den instruerade personens namn
- Innehållet i instruktionen
- Instruktorrens namn
- Underskrifter av den instruerade och instruktören

## 2.5. PERSONLIG SKYDDSUTRUSTNING

Personlig skyddsutrustning används för att skydda personer mot försämrad säkerhet och hälsa på arbetsplatsen.

Under de olika arbetena på och med enheten måste personalen bära personlig skyddsutrustningen som beskrivs i denna anvisnings enskilda avsnitt.

---

### BUREN ANDNINGSAPPARAT



Skydd mot skadliga gaser, ångor, damm och liknande ämnen.  
Andningsapparater som tryckluftsapparater måste användas om ett syrenehåll på mer än 17 % i omgivningsluften inte kan garanteras och/eller om tillåtna gränsvärden för skadliga ämnen i luften inte kan uteslutas.  
En burens andningsapparat får endast användas av specialutbildad personal.

---

### BUREN ANDNINGSAPPARAT



Skydd mot skadliga gaser, ångor, damm och liknande ämnen.  
En burens andningsapparat måste användas om det inte kan uteslutas att de tillåtna gränsvärdena för skadliga ämnen i omgivningsluften överskrids.  
En burens andningsapparat får endast användas med garanterad syrehalt i andningsluften på mer än 17 %.

---

### SKYDDSGLASÖGON



Skydd mot flygande delar och droppar.

---

### HANDSKAR, KEMIKALIEBESTÅNDIGA



Skyddar händer från aggressiva ämnen.  
Det är nödvändigt att handskens täthet kontrolleras.  
Släng handskarna på rätt sätt efter användning.

---

### SKYDDSHANDSKAR



Skydd av händerna mot mekanisk påverkan och varma och kalla ytor.

---



## BÄRA HÖRSELSKYDD

Skyddar hörseln mot för höga ljud och förhindrar ljudtrauma.

## 2.6. VAD BÖR MAN GÖRA VID BRAND OCH OLYCKOR

### FÖREBYGGANDE ÅTGÄRDER

- Var alltid beredd på brand och olyckor!
- Första hjälpen (första hjälpen-kit, filter etc.) och brandsläckningssystem fungerar fullt ut och ha dem i närheten.
- Gör personalen bekant med olycksrapportering, första hjälpen och räddningssystem.
- Håll åtkomstvägar fria för utryckningsfordon.

### ÅTGÄRDER VID BRAND OCH OLYCKOR.

- Om det inte föreligger någon fara för den egna hälsan, rädda personer från farozonen.
- Inled vid behov första hjälpen.
- Larma brandkåren och/eller räddningstjänsten.
- Vid brand: Släck bränder med brandsläckare om det inte föreligger någon fara för din egen hälsa och fortsatt med brandbekämpningen tills brandkåren anlänt.
- Informera den ansvariga personen på insatsplatsen.
- Tydliga tillfartsvägar för utryckningsfordon.
- Instruera räddningsfordon.

## 2.7. MILJÖSKYDD



### OBSERVERA!

- **Miljöfara genom felaktig hantering av miljöfarliga ämnen!**
- Felaktig hantering av miljöfarligt material, särskilt felaktigt bortskaffande, kan leda till betydande skador på miljön.
- Nedanstående anvisningar om hantering av miljöfarliga ämnen och avfallshantering måste alltid observeras!
- Om miljöfarliga ämnen råkar komma ut i miljön, måste lämpliga åtgärder omedelbart vidtas.
- I tveksamma fall ska du informera den ansvariga lokala myndigheten om skadan och begära att åtgärder vidtas!

## 2.8. SKYLTNING



### VARNING!

- **Om skyltarna är oläsliga medför det fara!**
- Med tiden kan klistermärken och skyltar bli smutsiga eller på annat sätt oläsliga så att faror inte kan identifieras och nödvändiga driftsinstruktioner inte kan följas. Detta skapar en risk för skador.
- Förvara alltid alla säkerhets-, varnings- och bruksanvisningar i läsbart skick.
- Byt ut skadade skyltar eller klistermärken omedelbart.

### 2.8.1. PÅBUDSTECKEN

- Inga tecken

### 2.8.2. FÖRBUDSTECKEN

- Inga tecken

### 2.8.3. VARNINGSSTECKEN



VARNING FÖR GASCYLINDER



VARNING FÖR EXPLOSIV  
ATMOSFÄR

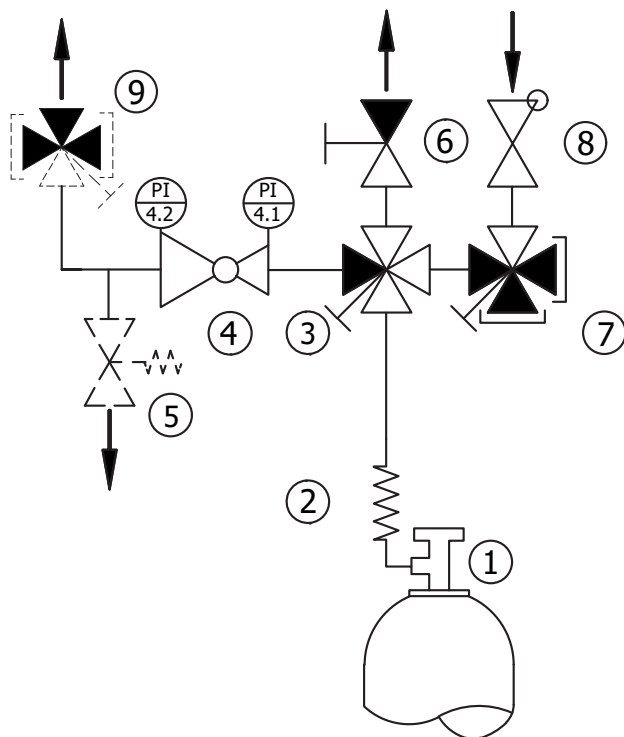


VARNING FÖR GIFTIGA OCH/  
ELLER FRÅTANDE

SV

### 3. TEKNISKA SPECIFIKATIONER

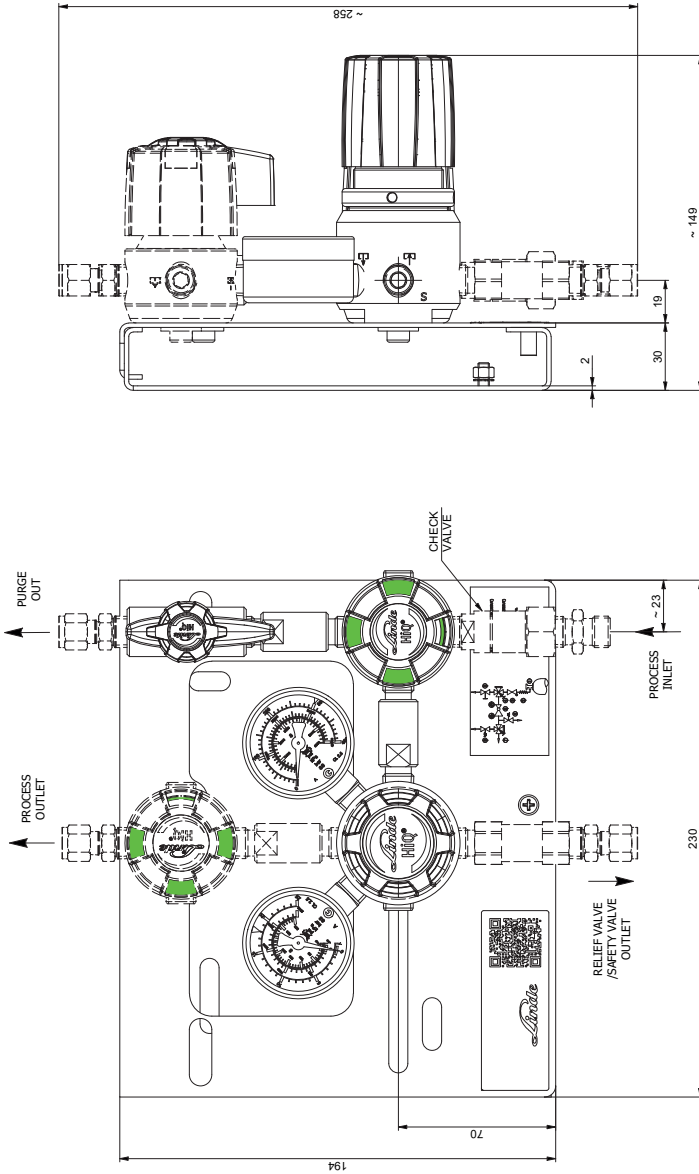
#### 3.1. FLÖDESCHEMA – S300/S200/S60



- 1 – GASCYLINDER
- 2 – SPEL
- 3 – AVSTÄNGNINGSVENTIL (3XIN, 1XOUT)
- 4 – TRYCKREGULATOR MED IN/UT MÄTARE
- 5 – AVLASTNINGSVENTIL / SÄKERHETSVENTIL, (OPT.)
- 6 – AVLFTNINGSVENTIL
- 7 – RENSNINGSSINLOPPSVENTIL (1XIN, 3XOUT)
- 8 – BACKVENTIL
- 9 – AVSTÄNGNINGSVENTIL (1XIN, 3XOUT); (OPT.)

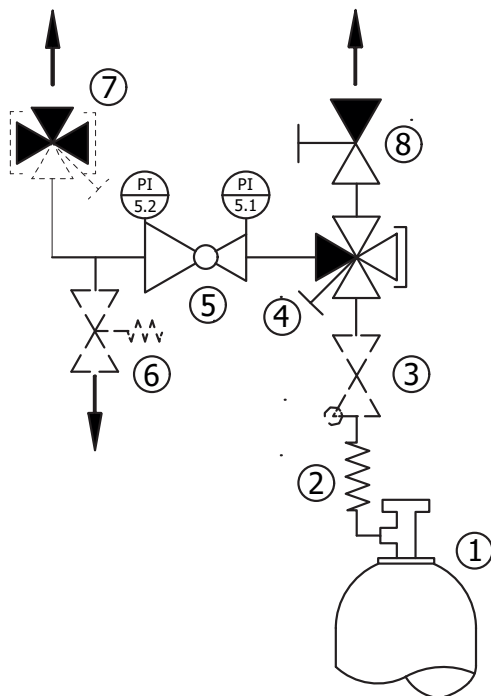
Alternativ visas som streckad linje

### 3.2. MÅTTBESKRIVNING – S300/S200/S60



SV

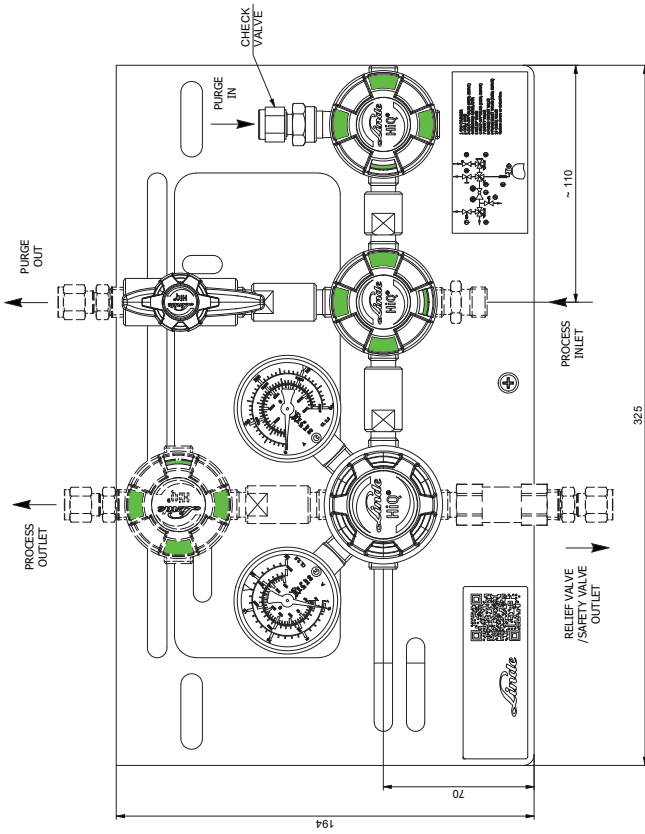
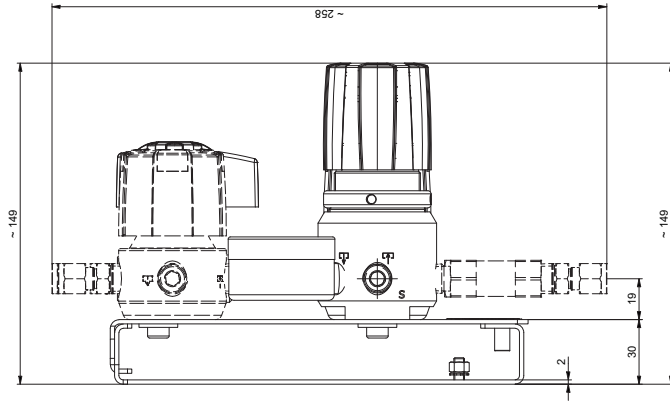
### 3.3. FLÖDESCHEMA – S203



- 1 – GASCYLINDER
- 2 – SPEL
- 3 – BACKVENTIL (OPT.)
- 4 – AVSTÄNGNINGSVENTIL (3XIN, 1XOUT)
- 5 – TRYCKREGULATOR MED IN/UT MÅTARE
- 6 – AVLASTNINGSVENTIL / SÄKERHETSVENTIL, (OPT.)
- 7 – AVSTÄNGNINGSVENTIL (1XIN, 3XOUT), (OPT.)
- 8 – AVLUFTNINGSVENTIL

Alternativ visas som streckad linje

### 3.4. MÅTTBESKRIVNING – S203



SV

### 3.5. ALLMÄN INFORMATION

Beteckning	S300/S200/S60-BC	S300/S200/S60-SS
max Vikt [kg]	5,25	8,57
Längd [mm]	230	230
Bredd [mm]	150	150
Höjd [mm]	194	194

Beteckning	S203-SS
max Vikt [kg]	6,97
Längd [mm]	325
Bredd [mm]	150
Höjd [mm]	194

### 3.6. ANSLUTNINGSVÄRDEN

Beteckning	Värde	Enhet
Inlopp	NPT 1/4" hona flera adapter tillgängliga	metriskt tum
Utlopp	1/8", 1/4", 3/8", 1/2" 3, 6, 8, 10, 12	Klämringar tum Klämringar mm
Utblåsningsventil/Spolningsventil om sådan finns	1/4", 3/8", 1/2" 6, 8, 10, 12	Klämringar tum Klämringar mm
Säkerhetsventil	NPT 1/2" female	tum

### 3.7. PRESTANDA

Beteckning	Värde	Enhet
Nominellt flöde	20 (tryckluft)	m <sup>3</sup> /h
Inloppstryck (max.)	S300: 300 S203: 200 S200: 200 S60: 60	bar
Utloppstryck (max.)	200	bar

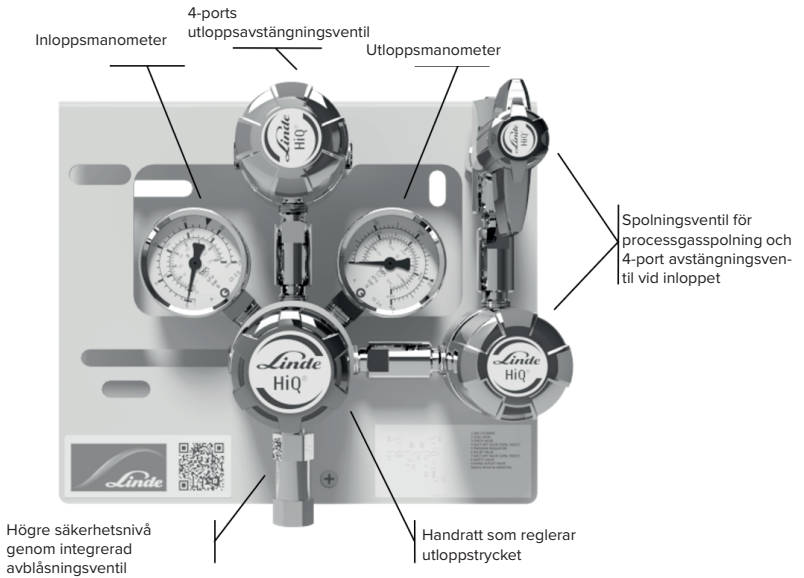
### 3.8. DRIFTSVILLKOR OMGIVNING

Beteckning	Värde	Enhet
Temperaturintervall	-20 till +60	°C
Relativ luftfuktighet (max.)	98	%

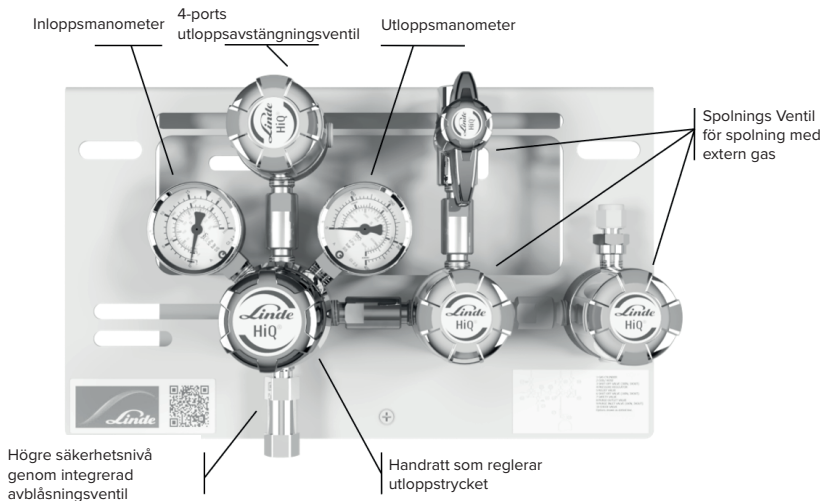


## 4. KONSTRUKTION OCH FUNKTION

### 4.1. KONTRUKTION – S300/S200/S60



### 4.2. KONTRUKTION – S203



SV

### 4.3. KORT BESKRIVNING

Tömningscentralerna av typen **S300/S200/S60-BC...** (material: förkromad mässing) tömmer en industriell, icke-giftig och icke-frätande gas eller gasblandning i en gasbehållare/ gasbehållarbunt som lagrats under övertryck, från ett maximalt tryck på upp till 300 bar till ett till ett rörledningstryck (14 bar, 28 bar, 50 bar, 100 bar, 200 bar).

Tömningcentralerna av typen **S300/S200/S60/S203-SS** ... (material: rostfritt stål) tömmer också giftiga och frätande gaser eller gasblandningar som lagras i en gasbehållare/gasbehållarbunt som lagrats med övertryck, från ett maximalt tryck på upp till 300 bar till ett rörledningstryck (6 bar, 10 bar, 14 bar, 28 bar, 50 bar, 100 bar, 200 bar).

En utblåsningsventil i centralens tryckreducerare skyddar dess utloppstryckområde mot otillåten tryckökning på grund av läckage i tryckregulatorposition. Kan utökas med säkerhetsventil och/ eller en backventil.

Det faktiska trycket uppströms och nedströms vid centralens tryckreducerare visas med en Bourdon-manometer. Både i tryckregulatorns uppström- och nedströmssområden finns det möjlighet att använda kontaktmanometern.

Om centralen har ett internt gasreningssystem kan högtrycksområdena spolas rent från eventuella föroreningar innan de tas i drift. Detta system gör det också möjligt att avlasta högtrycksområdena på centralen innan flaskbytet.

Om centralen har ett spolningssystem för extern gas (S209) kan centralens högtrycksområden spolas rent med en inert spolningsgas innan drift för att säkerställa ett säkert flaskbyte och/eller underhåll. Tömningcentralversionen med extern gasspolning finns endast i version med rostfritt stål.

Alla de system som beskrivs ovan monteras på ett gemensamt fäste av rostfritt stål. Genom tillräckligt stor dimensionering av denna konsol skyddas alla centralens enskilda komponenter under frakten i förpackningen och på lämpligt sätt när den är monterad. Den uppdelade versionen av konsolen gör det möjligt att montera det enkelt och med mindre vikt. En öppning i konsolens frontpanel gör det möjligt att byta ut manometrar utan att demontera konsolen från centralen och därmed slippa montera ned försörjningssystemet. På basplattan finns ett hål på varje sida av centralen där flaskanslutningsslangar fästs med karbinhakar.

Centralens anslutning till den lokala potentialutjämningen kan göras på skruvarna som sitter på konsolens basplatta.

Utvecklingen, tillverkningen och produktionstestningen av ovannämnda system har genomförts i enlighet med följande standarder:

- Tryckregulator- ISO 7291
- Ventiler - ISO 10297
- Manometer EN 837-1
- Mekaniskt explosionskydd för hela centralen- ISO80079-36; IEC 60079-32-1; TRGS 727

## 5. TRANSPORT, FÖRPACKNING OCH LAGRING



### TIPS OCH REKOMMENDATIONER!

- Installation och första driftsättning utförs helst av tillverkarens anställda eller av personer som har auktoriserats av denne.
- Trots detta kan det hända att servicepersonal eller andra personer under installationen och den fortsatta användningen anförtros hanteringen av kollen. Då är det viktigt att följa följande instruktioner.

### 5.1. SÄKERHETSINSTRUKTIONER FÖR TRANSPORTEN



#### OBSERVERA!

- **Materialskada på grund av felaktig transport!**
- Vid felaktig transport kan transporterade saker falla eller välta. Detta kan leda till materialskador i betydande omfattning.
- Var försiktig när du lastar av transportgodset vid leverans och under intern transport och iaktta symbolerna och anvisningarna på förpackningen.
- Använd endast de medföljande fästpunkterna.
- Ta inte bort förpackningen förrän strax före monteringen.

### 5.2. TRANSPORTINSPEKTION

Kontrollera att leveransen är fullständig och att inga transportskador finns omedelbart efter mottagandet. Om det finns yttre synliga transportskador ska du gå tillväga på följande sätt:

- Inte ta emot leveransen eller ta emot den endast med förbehåll.
- Notera skadans omfattning på transportdokumenten eller på transportörens följesedel.
- Påbörja en reklamation.



#### TIPS OCH REKOMMENDATIONER!

- Reklamera eventuella fel så snart de upptäcks. Skadeståndsanspråk kan endast göras inom ramen för garantitiden.

### 5.3. FÖRPACKNING

De enskilda förpackningarna förpackas för att motsvara förväntade transportförhållanden. För förpackningen har endast miljövänliga material använts.

Förpackningen är avsedd att skydda de enskilda komponenterna från transportskador, korrosion och andra skador. Därför får du inte ta sönder förpackningen och inte ta bort den förrän strax före monteringen.



#### OBSERVERA!

- **Risk för miljö vid felaktigt bortscaffande!**
- Förpackningsmaterial har värdefulla råvaror och kan i många fall återanvändas eller bearbetas och återvinnas. Felaktigt bortscaffande av förpackningsmaterial kan medföra miljörisiker.
- Återvinn och kassera förpackningsmaterialet på ett miljövänligt sätt.
- Observera de lokalt gällande bestämmelserna för bortscaffande. Vid behov kan du ge ett återvinningsföretag i uppdrag att utföra bortscaffandet.

### 5.4. FÖRVARING

Förvara fraktpaket på följande vis:

- Förvara inte utomhus.
- Förvaras på en torr och dammfri plats.
- Utsätt inga paket för aggressiva ämnen.
- Skydda från solljus.
- Undvik mekaniska stötar.
- Förvaringstemperatur: 15 till 35 °C.
- Relativ fuktighet: max. 60 %.
- Vid förvaring längre än 3 månader, bör det allmänna skicket på alla delar och förpackningen kontrolleras regelbundet. Ersätt eller förnya konservering vid behov.



#### TIPS OCH REKOMMENDATIONER!

- Det kan finnas förvaringsanvisningar på förpackningarna som går utöver de som nämns här. Följ dessa i så fall.

## 6. INSTALLATION OCH FÖRSTA IDRIFTTAGANDE

### 6.1. SÄKERHETSANVISNINGAR FÖR INSTALLATIONEN OCH FÖRSTA IDRIFTTAGANDE

#### PERSONAL

Installation och idrifttagning får endast utföras av kvalificerad personal.

### 6.2. FÖRBEREDELSE

#### UPPACKNING

- Komponenterna måste packas upp varsamt och noggrant.
- Ta också bort ytterligare förpackningsmaterial.
- Undersök alla komponenter för transportskador.

#### AVLASTA

- Avlasta gastrycket i alla befintliga system, vid behov spola med inert gas
- Håll isär rörledning i eventuellt befintliga system med specialverktyg för att undvika spån
- Se till att anslutningsdelarna är i perfekt skick och rena

### 6.3. INSTALLATION

Installation och första driftsättning får endast utföras av kvalificerad personal.

Baspattan på tömningscentralen är fäst vid en installationshöjd på 164 cm.

Frontplattan med tömningscentralen hängs i basplattan och skruvas fast med medföljande skruvar i mitten på botten.

Basplattan jordas med medföljande skruvar.

Tömningscentralen monteras med klämringskoppling på processgasutlopp, utblåsningsventil, spolningsgasinlopp och spolningsgasutlopp.

Anslut även säkerhets- och/eller backventil om sådan finns.

Först avlägsnas tätningsslöcken från anslutningarna.

Installationen utförs genom att rörledningen helt sätts in i beslaget. Skruva sedan på svivelmuttern för hand och dra åt den med en skiftnyckel (1 ¼ varv) (första installation 1 1/4 varv för rör större än 1/8 tum och 3/4 varv för rörledningar med 1/8 tum eller mindre, vid ominstallation 1/4 varv för alla rörledningar).

Utblåsningsrören ansluts till utblåsningsventilen på samma sätt. Avgas- och avblåsningsrören får INTE sammanföras och kan utan problem ledas i det fria, detta gäller även ledningens anslutning med säkerhetsventilen om sådan finns.

Gasflaskorna anslut till tömningscentralen med standard-anslutningsspiraler och -slangar (tillbehör som kan levereras).

Anslutningsspiral/anslutningsslang levereras alltid separat. Kontrollera att rätt rörledning tilldelas rätt slang. Flaskans anslutningsnummer står på anslutningsmuttern. Det finns bara en version av anslutningsspiraler/anslutningsslangar. Dessa passar för anslutning till vänster och höger sida av tömningscentralen.

När du vill montera anslutningsspiralen/-slangen på tömningscentralen bör du först ta bort plastlocket från anslutningsgången på spiralledningen/slangen och tömningscentralen. Se till att tätningen som medföljer anslutningsspiralen/anslutningsslangen läggs in i svivelmuttern.

Svivelmuttern skruvas på kopplingsgången vid ingången till tömningscentralen för hand och dras sedan åt med en skiftnyckel. När du en anslutningsslang kan säkerhetslinan hängas under med karbinhakar i basplattan. När du ansluter anslutningsspiralen/anslutningsslangen till gasflaskan måste gången på flaskventilen och svivelmuttern vara i perfekt skick.

Använd en ny tätning varje gång du återansluter. Endast anslutningsspiraler och anslutningsslangar från tillverkaren som motsvarar använd gastyp får användas.

Kontrollera att flasktätningarna sitter korrekt i spiralens eller slangens anslutning.

En nyckelförlängning får inte användas vid åtdragning, annars kan gången och tätningen gå sönder. Detta kan leda till läckage.

## 6.4. FÖRUTSÄTTNINGAR FÖR FÖRSTA IDRIFTTAGANDE

- Rörsystemens inspektionsprotokoll med avseende på täthet (vid behov även fuktighet och partiklar) finns tillgängligt.
- Processgasledningarna, spolningsgasledningarna och utblåsningsledningen samt ledningar för säkerhetsändamål och/eller eventuella backventiler är anslutna
- Det finns endast standardgas i processgasledningen. (se punkt 1.2)
- Driftstart får endast utföras av utbildad och kvalificerad personal.
- Skyddskläder som motsvarar föreskrifterna måste bäras.
- Ett gnistfritt specialverktyg måste användas och göras tillgängligt före idrifttagning.
- Före första driftsättning bör du jämföra med typskylten och se till att den aktuella tömningscentralen är lämplig för den avsedda användningen (gas, tryck, material, etc.)

## 6.5. FÖRSTA IDRIFTTAGANDE

- Alla krav är uppfylla enligt punkt 6.4.
- Tryckregulatorn för det andra trycksteget är tömd (stängd)
- Alla ventiler på tömningscentralen är stängda



### WARNING!

- Det är viktigt att tömningscentralen inte belastas med ett tryck som överskrider det tillåtna arbetstrycket.
- Innan driftstart måste det säkerställas att ingen riskerar skadas när enheten tas i drift.

### 6.5.1. PROCESSGASSPOLNING (S300/S200/S60)

Tömningscentraler med intern gasspolning S300/S200/S60 används så att luft som trängt in i systemet vid flaskväxel kan tas bort och spiralledningen eller anslutningsslangen för flaskbyte kan avlastas. Se till att en utblåsningsledning är ansluten.

1. Ventilen för spolning av processgasen är stängd, växeln är tvärs över flödesriktningen (2-portsventil).
2. Tryckregulatorn är tömd (stängd).
3. Stäng inloppsavstängningsventilen, den röda markeringen är synlig (4-portsventil).
4. Nu är inloppsavstängningsventilen bara stängd i tryckreduktionens riktning. Vägen är fri i riktning ventil mot processgasspolning.
5. Öppna flaskventilen långsamt.
6. Processgas strömmar ut i anslutningsspiralen/anslutningsslangen.
7. Stäng flaskventilen igen.
8. Öppna ventilen kort för spolning med processgas och töm den gas som finns i anslutningsspiral/anslutningsslang via spolningsgasledningen.
9. Stäng sedan omedelbart ventilen för processgasspolning igen.

*STEGEN 4. – 9. UPPREPAS MINST 10 GÅNGER*

### 6.5.2. EXTERN GASSPOLNING (S203)

Tömningscentral S203 med externgasspolning används innan flaskbyte för att avlägsna giftig och/eller frätande gas så att anslutningsspiralen eller anslutningsslangen för flaskbyte kan avlastas.

Se till att en utblåsningsledning är ansluten.

1. Kontrollera att spolningsgasinlopp, spolningsgasutlopp, processgasinlopp, utblåsningsledning och eventuell säkerhetsventilen är korrekt ansluten.
2. Stäng alla ventiler, de röda markeringarna måste vara synliga (4-port).
3. Stäng tryckreduceraren genom att vrida handhjulet moturs.
4. Öppna inloppsspolningsventilen.
5. Stäng inloppsspolningsventilen igen. Låt inströmmad gas stanna kvar några sekunder i komponenten.
6. Öppna spolningsventilen för utlopp kort och släpp ut spolningsgasen.
7. Stäng utlopps-spolningsventilen igen

*STEGEN 4. – 7. UPPREPAS MINST 10X FÖR PERFEKTA SPOLNINGRESULTAT*

### 6.5.3. FYLLNING AV PROCESSGASLEDNING MED PROCESSGAS

Före idrifttagning och fyllning av nästa rörsystem bör, beroende på tömningscentral, en spolning med intern gas (se punkt 6.5.1) eller extern gas (se punkt 6.5.2) genomföras. Av säkerhetsskäl rekommenderar vi att alltid en utblåsningsledning installeras.

1. Kontrollera att anslutningsspiral/anslutningsslang, spolnings-, process-, säkerhets- och utblåsningsledning har anslutits korrekt.
2. Stäng alla ventiler på tömningscentralen, röd markering synlig (4-port).
3. Vrid regulatorns handjul moturs så långt det går – passagen är därmed stängd.
4. Öppna flaskventilen långsamt
5. Öppna inloppsavstängningsventilen **L Å N G S A M T**
6. Tömningscentralen är nu i drift.
7. Det rekommenderas att inspektera tömningscentralen dagligen och att kontrollera trycket.

*VI REKOMMENDERAR ATT DU KONTROLLERAR GRENÖRET OCH TRYCKMÄTARNA DAGLIGEN*

## 6.5.4. FLASKBYTE



### NOTERA!

- MAK-värdena (se Tekniska regler för farliga ämnen, TRGS 900)
- 1. Stäng flaskventilen på gasflaskan.
- 2. Stäng avstängningsventilen på sidan av den tomma gasflaskan.
- 3. Öppna externgasspolnings-/utloppsspolningsventilen för att minska trycket i anslutningsspiralen eller -slangen.
- 4. S300/S200/S60: Spola med intern gas (se punkt 6.5.1).  
S203: Spola med extern gas (se punkt 6.5.2).
- 5. Stäng inlopps-avstängningsventilen på sidan av den tomma gasflaskan
- 6. Lossa anslutningsspiral/anslutningsslang från flaskventilen på den tomma gasflaskan
- 7. Anslut en ny gasflaska, använd ALLTID en ny tätning.

### FÖRE NÄSTA DRIFTSTART:

- 8. S300/S200/S60: Spola med intern gas (punkt 6.5.1).  
S203: Utför extern gasspolning (6.5.2).
- 9. Fyll anslutningsspiralen/anslutningsslangen med processgas.

## 6.5.5. URDRIFTTAGNING

Stäng tömningscentralen genom att vrida tryckregulatorns ratt moturs.

Stängning av tryckregulatorn garanterar inte täthet, gas kan läcka genom slangarna eller de anslutna delarna.

Stäng avstängningsventilen för gas.

Av säkerhetsskäl ska du även alltid stänga flaskventilen.

*FÖLJANDE MÅSTE IAKTTAS NÄR TÖMNINGSCENTRALEN BYGGS OM HELT OCH HÅLLET:*



### FARA!

- Sänk trycket på tryckregulatorn och ledningarna genom att släppa ut gasen via förbrukaren. Visarna på inlopps- och utloppstryckmätare måste stå helt på "0".
- Vid behov, utför naturgas eller extern gasrening.
- Utför vid behov intern eller extern gasspolning.
- Lämpliga personskyddsåtgärder måste vidtas.
- Observera MAK-värdena.
- Det är viktigt att tömningscentralen inte belastas med ett tryck som överskrider det tillåtna arbetstrycket.
- Innan driftstart måste det säkerställas att ingen riskerar skadas när enheten tas i drift.

## 6.6. KONTROLLER

- Kontrollera att tryckregulatorns trycksättningsfunktion.
- Kontrollera att utblåsningsventilen är tät. Ventilen måste vara bubbeltät.
- Kontrollera att alla ventiler är täta. Ventilen måste vara bubbeltät.

## 7. DRIFT

Enligt kapitel 2.1 är tömningscentralens funktion utformad för standardgaser.

SV



### VAR FÖRSIKTIG!

- Handventiler måste alltid öppnas långsamt och försiktigt för att undvika tryckstötter i systemet och skydda andra komponenter.

## 8. UNDERHÅLL

### 8.1. SÄKERHETSINSTRUKTIONER FÖR UNDERHÅLL



### OBSERVERA!

- Underhållsarbeten får endast utföras av kvalificerad, utbildad och auktoriserad personal. (se kapitel 2.4).

## 8.2. UNDERHÅLLSSCHEMA

I följande avsnitt beskrivs de underhållsåtgärder som är nödvändiga för att säkerställa en optimal och problemfri drift av enheten.

Om de regelbundna kontrollerna visar på ökat slitage, bör nödvändiga underhållsintervaller justeras i proportion till det faktiska slitaget.



### OBSERVERA!

- Kontakta kundservice om du har några frågor om underhållsarbete och underhållsintervaller.

Intervall	Underhållsarbete	Personal
Veckovis	Visuell kontroll av alla komponenter	Kvalificerad person (TRBS 1203)
Årlig	Driftskontroll avseende funktion och täthet, kontroll av alla säkerhetsrelevanta delar	Kvalificerad person (TRBS 1203)
Grundöversyn och var 10 e år	Utbyte av utslitna delar	Kvalificerad person (TRBS 1203)

## 8.3. UNDERHÅLLSARBETE

### 8.3.1. RENGÖRING



### OBSERVERA!

- Rengöringsmedel måste vara kompatibla med det material som de kommer i kontakt med.

### 8.3.2. UNDERHÅLLSFÖRUTSÄTTNING

*INNAN DU BÖRJAR UNDERHÅLL, KONTROLLERA ATT*

- Gasförsörjningen avbryts och säkras.
- Tömningscentralen saknar tryck.
- Tryckregulatorn är tömd.
- Ventilen är stängd.
- Det finns inte mer processgas i systemet.
- Systemet har spolats med en inert gas.

### 8.3.3. NÖDVÄNDIGT UNDERHÅLL

- Kontrollera tryckvisarens visningsvärde vad gäller visningsnoggrannhet.
- Tömningscentral, tryckregulator, ventiler och tryckindikatorer: Status för funktion, skick och märkningen.
- Kontrollera märkningen.
- Kontrollera korrosion.
- Kontrollera funktion.
- Utför ett täthetstest med 1-faldigt arbetstryck i 12 timmar.
- Slitna och defekta komponenter måste bytas ut omedelbart, detta arbete måste alltid utföras av behörig fackpersonal.
- Ventilerna konstruerades i enlighet med ISO 10297. Detta inkluderar ett typprov där ventilen har genomgått ett livcykeltest på upp till 2000 cykler. Efter 2000 cykler bör berörda innerdelar bytas ut, och detta arbete måste utföras av kvalificerad fackpersonal.
- Om det hittas läckor eller överdriven korrosion på tömningscentralen/tryckregulatorn eller ventilen behöver dessa helt bytas ut mellan nästa möjliga löstagbara anslutning av auktoriserad personal.
- Efter byte av komponenter eller rördningar måste trycktester utföras igen och protokolleras.

## 8.4. ÅTGÄRDER EFTER UNDERHÅLL

*EFTER ATT UNDERHÅLLSARBETE SLUTFÖRTS OCH INNAN DRIFTSTART AV TÖMNINGSCENTRALEN SKA FÖLJANDE STEG UTFÖRAS MED TRYCKREGULATORN ELLER VENTILEN:*

1. Se till att alla verktyg, material och annan utrustning som används taigts bort från arbetsområdet.
2. Rengör arbetsområdet och ta bort eventuella läckta ämnen som t.ex. vätskor, bearbetningsmaterialeller liknande.
3. Se till att alla säkerhetsanordningar i systemet fungerar korrekt.

## 9. STÖRNINGAR

I följande kapitel beskrivs möjliga orsaker till funktionsstörningar och det arbete som krävs för att åtgärda dem. Om störningar inträffar oftare måste underhåll ske oftare i proportion till de faktiska störningen. Vid störningar som inte kan åtgärdas med hjälp av följande instruktion, kontakta tillverkaren.

### 9.1. SÄKERHETSINSTRUKTIONER FÖR FELSÖKNING

Vid fel måste alltid gastillförseln avbrytas, tryckregulatorn tömmas och ventilerna stängas. Under inga omständigheter får underhållsarbeten utföras på komponenter under tryck.

#### ÅTGÄRDER VID FEL:

1. Avbryt och säkerställ gasförsörjning.
2. Töm tryckregulatorn, stäng ventilerna.
3. Endast kvalificerad personal får åtgärda fel.
4. Återställ enhetens ursprungliga tillstånd.

Beskrivning	Orsak	Lösning	Ventiler	Flasktryckregulator	Ledningstryckregulator	Tömningscentraler
Inget flöde (Inloppsmanometer visar tryck, utloppsmanometer gör det inte)	Tryckregulator är stängd	Tryckregulator långsamt tryckregulatorn stäng spolningsventil		<input checked="" type="checkbox"/>	<input checked="" type="checkbox"/>	<input checked="" type="checkbox"/>
Inget genomflöde (båda manometrar visar noll)	Flaskventil stängd Bruksgasventil stängd tryckregulator stängd spiral/slang inte ansluten	Drift-start enligt Punkt 6. Ininstallation och Första idrifttagande		<input checked="" type="checkbox"/>	<input checked="" type="checkbox"/>	<input checked="" type="checkbox"/>
Inget genomflöde	Tryckregulator är stängd	Tryckregulator långsamt tryckregulatorn	<input checked="" type="checkbox"/>			
Baktryckstegring & Utblåsningsventil öppnar	Läckage i Tryckregulatorposition	Reparation via tillverkare		<input checked="" type="checkbox"/>	<input checked="" type="checkbox"/>	<input checked="" type="checkbox"/>
Lätt baktryckstegring & Utblåsningsventil öppnas inte	Tryckminskning	Inget fel, normalt drifttillstånd		<input checked="" type="checkbox"/>	<input checked="" type="checkbox"/>	<input checked="" type="checkbox"/>
Lätt baktryckstegring &	Skillnad mellan Flödestryck (med genomflöde) och Tomgångstryck (inget genomflöde)	Inget fel, normalt drifttillstånd		<input checked="" type="checkbox"/>	<input checked="" type="checkbox"/>	<input checked="" type="checkbox"/>



Beskrivning	Orsak	Lösning	Ventiler	Flasktryckregulator	Ledningstryckregulator	Tömningscentraler
Lätt baktrycksfall	Skillnad mellan Tomgångstryck (inget genomflöde) och Flödestryck (med genomflöde)	Inget fel, normalt drifttillstånd		<input checked="" type="checkbox"/>	<input checked="" type="checkbox"/>	<input checked="" type="checkbox"/>
Starkt baktrycksfall	Nödvändigt genomflöde för tryckregulator för stort	Val av en ny tryckregulator för nödvändigt tryck & flöde		<input checked="" type="checkbox"/>	<input checked="" type="checkbox"/>	<input checked="" type="checkbox"/>
Starkt baktrycksfall	Läckande Kontrollera process-	Kontrollera processgasledning		<input checked="" type="checkbox"/>	<input checked="" type="checkbox"/>	<input checked="" type="checkbox"/>
Utloppstryck för högt	Felaktig regleringsinställning	Tryckregulator inställning, efterjustera, Underhåll		<input checked="" type="checkbox"/>	<input checked="" type="checkbox"/>	<input checked="" type="checkbox"/>
baktryck stiger omedelbart till stopp eller baktryck stiger långsamt över det inställda värdet & utblåsningsventil blåser	Av smuts eller skador på position "Stiger"	Reparation via tillverkare		<input checked="" type="checkbox"/>	<input checked="" type="checkbox"/>	<input checked="" type="checkbox"/>
Ljud under drift	Nödvändigt genomflöde för tryckregulator för högt	Val av en ny tryckregulator för nödvändigt tryck & flöde		<input checked="" type="checkbox"/>	<input checked="" type="checkbox"/>	<input checked="" type="checkbox"/>
Inget förändring av ventilkontrollen trots vridning av handhjulet	Handhjul defekt pga. för hög vridmoment, spindel defekt, Gänga defekt	Reparation via tillverkare	<input checked="" type="checkbox"/>	<input checked="" type="checkbox"/>	<input checked="" type="checkbox"/>	<input checked="" type="checkbox"/>

SV

Beskrivning	Orsak	Lösning	Ventiler	Flasktryckregulator	Ledningstryckregulator	Tömningscentraler
Luftfuktighet på tryckregulator (INGEN fukt, regn eller snö)	tryckregulator undandrar omgivningen energi genom gastömning	Inget fel, Normalt drifttillstånd		☑	☑	☑
Isbildning på tryckregulator (INGEN fukt, regn eller snö)	tryckregulator undandrar omgivningen energi genom Gastömning, begränsad leveransförmåga för tryckgasbehållare t.ex. vid N <sub>2</sub> O, CO <sub>2</sub>	Inget fel, Normalt drifttillstånd OBSERVERA: se till att kontaktmanometern fungerar, Höj antal för tryckgasbehållare		☑	☑	☑

Denna tabell gör inte anspråk på att vara uttömmande. För frågor och osäkerheter kontakta tillverkaren.

## 10. DEMONTERING OCH BORTSKAFFANDE

När apparaten har nått slutet av sin livslängd måste den demonteras och bortskaffas på ett miljövänligt sätt.

### 10.1. SÄKERHETSINSTRUKTIONER FÖR DEMONTERING OCH KASSERING



#### VARNING!

- **Risk för skador vid felaktig demontering!**
- Lagrade restenergier, kantiga komponenter, spetsar och hörn på och i enheten eller på nödvändiga verktyg kan orsaka skador.
- Se till att det finns tillräckligt med utrymme innan arbetet påbörjas.
- Hantera öppna, skarpkantade komponenter försiktigt.
- Var uppmärksam på ordning och renlighet på arbetsplatsen!
- Komponenter och verktyg som löst staplas eller ligger utspridda kan förorsaka olyckor.
- Demontera komponenterna fackmässigt. Observera komponenternas delvis höga egenvikt. Om så krävs använd lyftutrustning.
- Säkra komponenterna så att de inte faller eller välter.
- Kontakta tillverkaren om något är oklart.

### 10.2. DEMONTERING

#### INNAN DEMONTERINGEN PÅBÖRJAS

Stäng tryckregulatorns andra trycknivå i tömningscentralen genom att vrida handhjulet moturs.

Töm trycket i tryckregulatorn på tömningscentralen och se till att det inte finns någon processgas kvar i tömningscentralens inre.

Töm trycket i systemet och spola det vid behov med en inert gas.

Avlasta centralens högtryckssida via gasspolningsventil.

Utför en spolning för antingen intern eller extern gas.

Ta bort drifts- och hjälpmaterial samt återstående bearbetningsmaterial och kassera dem på ett miljövänligt sätt.

Rengör sedan enheterna och komponenterna ordentligt och demontera dem i enlighet med gällande lokala arbetsmiljö- och säkerhetsföreskrifter.



#### **VARNING!**

- **Öppna inte systemet om det fortfarande finns giftig och/eller frätande gas i det!**

### **10.3. BORTSKAFFANDE**

Om inget retur- eller bortskaffningsavtal har ingåtts, ta demonterade komponenter till materialåtervinning: skrota metall.

Skicka plastelement till återvinning.

Kassera resterande komponenter sorterade efter deras materialegenskaper.

Enligt artikel 33 i REACH-förordningen förpliktigar sig företaget GCE, s.r.o. som ansvarig tillverkare att informera kunderna när materialen innehåller 0,1% eller mer av ämnen som finns på listan över oroväckande ämnen (SVHC). De mässinglegeringar som oftast används för karosserier och andra mässingskomponenter innehåller 2-3 %

Bly (Pb), EG-nr 231-468-6, CAS-nr 7439-92-1. Vid normal användning släpps inte bly ut i gasen eller i miljön. I slutet av sin livslängd måste produkten återvinnas av ett godkänt metallåtervinningsföretag för att säkerställa ett effektivt bortskaffande av materialet med minimal påverkan på miljö och hälsa.

Hittills har vi ingen information som tyder på att material med SVHC-koncentrationer över 0,1 % finns i GCE-produkter.



#### **OBSERVERA!**

- **Risk för miljö vid felaktigt bortskaffande!**
- Felaktigt bortskaffande kan orsaka risker för miljö.
- Elektriskt skrot, elektroniska komponenter, smörjmedel och andra hjälpmaterial från godkända specialföretag behöver bortskaffas.
- I tveksamma fall kan du få information om miljövänligt bortskaffande från lokala kommunen eller speciella avfallshanteringsföretag.

# CONTENUTO

<b>1. GENERALE</b>	<b>328</b>
1.1. INFORMAZIONI SU QUESTE ISTRUZIONI	328
1.2. INFORMAZIONI SUL RIDUTTORE DI PRESSIONE DA BOMBOLA	328
1.2.1. S300/S200/S60	329
1.2.2. S203	329
1.3. SPIEGAZIONE DEI SIMBOLI	329
1.4. LIMITAZIONE DI RESPONSABILITÀ	330
1.5. PROTEZIONE DEL COPYRIGHT	330
1.6. PEZZI DI RICAMBIO	330
1.7. DISPOSIZIONI DI GARANZIA	331
1.8. SERVIZIO CLIENTI	331
<b>2. SICUREZZA</b>	<b>331</b>
2.1. USO PREVISTO	331
2.1.1. MODIFICHE COSTRUTTIVE ALLA STAZIONE DI DECOMPRESSIONE	331
2.2. PERICOLI PRINCIPALI	331
2.3. RESPONSABILITÀ DELL'OPERATORE	332
2.4. REQUISITI DEL PERSONALE	333
2.4.1. QUALIFICHE	333
2.4.2. PERSONE NON AUTORIZZATE	333
2.4.3. ISTRUZIONI	334
2.5. DISPOSITIVI DI PROTEZIONE INDIVIDUALE	334
2.6. COMPORTAMENTO IN CASO DI INCENDIO E INCIDENTI	335
2.7. PROTEZIONE AMBIENTALE	335
2.8. SEGNALETICA	335
2.8.1. SEGNALI DI OBBLIGO	335
2.8.2. SEGNALI DI DIVIETO	335
2.8.3. SEGNALI DI AVVERTENZA - RISCHIO O PERICOLO	335
<b>3. DATI TECNICI</b>	<b>336</b>
3.1. DIAGRAMMA DI FLUSSO – S300/S200/S60	336
3.2. DISEGNO QUOTATO – S300/S200/S60	337
3.3. DIAGRAMMA DI FLUSSO – S203	338
3.4. DISEGNO QUOTATO – S203	339
3.5. INFORMAZIONI GENERALI	340
3.6. VALORI DI COLLEGAMENTO	340
3.7. VALORI DI PRESTAZIONI	340
3.8. CONDIZIONI OPERATIVE DELL'AMBIENTE	340
<b>4. STRUTTURA E FUNZIONE</b>	<b>341</b>
4.1. STRUTTURA – S300/S200/S60	341
4.2. STRUTTURA – S203	341
4.3. BREVE DESCRIZIONE	341
<b>5. TRASPORTO, L'IMBALLAGGIO E STOCCAGGIO</b>	<b>342</b>
5.1. INDICAZIONI DI SICUREZZA PER IL TRASPORTO	342
5.2. ISPEZIONE DOPO IL TRASPORTO	342
5.3. IMBALLAGGIO	343
5.4. STOCCAGGIO	343
<b>6. INSTALLAZIONE E MESSA IN FUNZIONE INIZIALE</b>	<b>343</b>
6.1. ISTRUZIONI DI SICUREZZA PER L'INSTALLAZIONE E PRIMA MESSA IN SERVIZIO	343
6.2. PREPARAZIONI	343
6.3. INSTALLAZIONE	343
6.4. PREREQUISITO PER LA PRIMA MESSA IN SERVIZIO	344
6.5. PRIMA MESSA IN SERVIZIO	344
6.5.1. FLUSSAGGIO GAS DI PROCESSO (S300/S200/S60)	345
6.5.2. FLUSSAGGIO CON GAS ESTERNO (S203)	345
6.5.3. RIEMPIMENTO DEL TUBO DEL GAS DI PROCESSO	345
6.5.4. CAMBIO BOMBOLA	346
6.5.5. MESSA FUORI SERVIZIO DELL'IMPIANTO	346
6.6. CONTROLLI	346

<b>7. FUNZIONAMENTO .....</b>	<b>346</b>
<b>8. MANUTENZIONE.....</b>	<b>347</b>
8.1. ISTRUZIONI DI SICUREZZA PER LA MANUTENZIONE.....	347
8.2. PROGRAMMA DI MANUTENZIONE.....	347
8.3. LAVORI DI MANUTENZIONE .....	347
8.3.1. PULIZIA.....	347
8.3.2. PREREQUISITO PER LA MANUTENZIONE.....	347
8.3.3. MANUTENZIONE STRAORDINARIA DI EMERGENZA .....	347
8.4. DOPO CHE LA MANUTENZIONE È STATA COMPLETATA.....	348
<b>9. GUASTI.....</b>	<b>348</b>
9.1. ISTRUZIONI DI SICUREZZA PER LA RISOLUZIONE DEI GUASTI.....	348
<b>10. SMONTAGGIO E SMALTIMENTO.....</b>	<b>351</b>
10.1. ISTRUZIONI DI SICUREZZA PER LO SMONTAGGIO E LO SMALTIMENTO .....	351
10.2. SMONTAGGIO.....	351
10.3. SMALTIMENTO .....	351

### 1. GENERALE

#### 1.1. INFORMAZIONI SU QUESTE ISTRUZIONI

Queste istruzioni si applicano alle stazioni di decompressione del tipo:

- S300
- S203
- S200
- S60

Queste stazioni di decompressione sono utilizzate per rimuovere il gas dai contenitori di gas pressurizzati e per depressurizzarli. Le stazioni di decompressione sono fissate in modo permanente alla parete e collegate ai serbatoi in pressione del gas con tubi elicoidali o tubi corrugati. Queste istruzioni permettono un uso sicuro ed efficiente dell'apparecchio. Il manuale è parte integrante dell'apparecchio e deve essere tenuto nelle immediate vicinanze dell'apparecchio e accessibile al personale in ogni momento. Il personale deve aver letto e compreso attentamente queste istruzioni prima di iniziare qualsiasi lavoro. Una premessa per lavorare in sicurezza è il rispetto di tutte le indicazioni di sicurezza e di esecuzione dei lavori citate nel manuale Istruzioni. Inoltre, si applicano le norme locali di prevenzione degli incidenti e le norme generali di sicurezza per l'area di utilizzo del dispositivo. Le illustrazioni in questo manuale servono per la comprensione di base e possono differire dalla configurazione reale.

#### 1.2. INFORMAZIONI SUL RIDUTTORE DI PRESSIONE DA BOMBOLA

I regolatori di pressione per tubi di questo tipo possono essere utilizzati solo con i gas definiti come gas standard. La pressione massima di lavoro per queste stazioni di decompressione è di 300 bar. Le stazioni di decompressione a singolo stadio sono costituite da valvole e regolatori di pressione con diaframmi in metallo. Fabbricato e approvato secondo la norma ISO7291/10297, compreso il test di combustione con ossigeno.

Linea di prodotti	(Purezza 6.0   ottone cromato)	(Purezza 6.0   acciaio inossidabile)
Con sede <b>FKM</b> della valvola di scarico	<ul style="list-style-type: none"> <li>• Gas utilizzabili (comprese le loro miscele):               <ul style="list-style-type: none"> <li>• Purezza elevata</li> <li>• Inerti</li> <li>• Combustibili</li> <li>• Ossidanti</li> <li>• O<sub>2</sub></li> </ul> </li> <li>• Gas non utilizzabili (comprese le loro miscele):               <ul style="list-style-type: none"> <li>• Corrosivi</li> <li>• Tossici</li> <li>• CO<sub>2</sub>, N<sub>2</sub>O</li> </ul> </li> </ul>	<ul style="list-style-type: none"> <li>• Gas utilizzabili (comprese le loro miscele):               <ul style="list-style-type: none"> <li>• Purezza elevata</li> <li>• Inerti</li> <li>• Combustibili</li> <li>• Ossidante (fino a 200 bar)</li> <li>• Corrosivo (in caso di ambiguità per favore contattateci)</li> <li>• Tossico (in caso di ambiguità per favore contattateci)</li> </ul> </li> <li>• Gas non utilizzabili (comprese le loro miscele):               <ul style="list-style-type: none"> <li>• O<sub>2</sub> oltre 200 bar</li> <li>• CO<sub>2</sub>, N<sub>2</sub>O</li> <li>• NH<sub>3</sub>, SO<sub>2</sub>, H<sub>2</sub>S</li> </ul> </li> </ul>

<p>Con sede in <b>EPDM</b> della valvola di scarico</p>	<ul style="list-style-type: none"> <li>• Gas utilizzabili (comprese le loro miscele): <ul style="list-style-type: none"> <li>• Purezza elevata</li> <li>• Inerti</li> <li>• Combustibili</li> <li>• Ossidanti</li> <li>• O<sub>2</sub>, N<sub>2</sub>O</li> </ul> </li> <li>• Gas non utilizzabili (comprese le loro miscele): <ul style="list-style-type: none"> <li>• Corrosivi</li> <li>• Tossici</li> <li>• O<sub>2</sub></li> </ul> </li> <li>(contenuto superiore al 21%) <ul style="list-style-type: none"> <li>• Idrocarburi</li> </ul> </li> </ul>	<ul style="list-style-type: none"> <li>• Gas utilizzabili (comprese le loro miscele): <ul style="list-style-type: none"> <li>• Purezza elevata</li> <li>• Inerti</li> <li>• Combustibili</li> <li>• Ossidanti</li> <li>• Corrosivo (in caso di ambiguità per favore contattateci)</li> <li>• Tossico (in caso di ambiguità per favore contattateci)</li> <li>• CO<sub>2</sub>, N<sub>2</sub>O</li> <li>• NH<sub>3</sub>, SO<sub>2</sub>, H<sub>2</sub>S</li> </ul> </li> <li>• Gas non utilizzabili (comprese le loro miscele): <ul style="list-style-type: none"> <li>• O<sub>2</sub></li> </ul> </li> <li>(contenuto superiore al 21%) <ul style="list-style-type: none"> <li>• Idrocarburi</li> </ul> </li> </ul>
---------------------------------------------------------	-------------------------------------------------------------------------------------------------------------------------------------------------------------------------------------------------------------------------------------------------------------------------------------------------------------------------------------------------------------------------------------------------------------------------------------------------------------------------------------------------------------------------------------------------------------	----------------------------------------------------------------------------------------------------------------------------------------------------------------------------------------------------------------------------------------------------------------------------------------------------------------------------------------------------------------------------------------------------------------------------------------------------------------------------------------------------------------------------------------------------------------------------------------------------------------------------------------------------------------------------------------------------------------------

La presente tabella non ha pretese di esaustività. In caso di domande o incertezze, contattare il produttore.

### 1.2.1. S300/S200/S60

Questa stazione di decompressione è disponibile nelle versioni in ottone cromato e in acciaio inossidabile. Consiste nei seguenti componenti:

- Regolatore di pressione con manometri in entrata e in uscita
- Valvole di flussaggio per il flussaggio automatico del gas e valvole di chiusura a 4 porte agli ingressi
- Valvola di sfiato
- Piastra frontale e piastra di base

#### ADDIZIONE

- S: Valvola di sicurezza all'uscita
- C: Valvole di non ritorno agli ingressi
- U: Valvola di sicurezza in uscita e valvole di non ritorno in entrata

### 1.2.2. S203

Questa stazione di decompressione è disponibile solo nella versione in acciaio inossidabile. Consiste nei seguenti componenti:

- Regolatore di pressione con manometri in entrata e in uscita
- Due valvole di flussaggio a 4 porte e una valvola a 2 porte ciascuna per il flussaggio del gas inerte agli ingressi
- Valvola di sfiato
- Piastra frontale e piastra di base

#### ADDIZIONE

- S: Valvola di sicurezza all'uscita

## 1.3. SPIEGAZIONE DEI SIMBOLI

### ISTRUZIONI SICUREZZA

Le istruzioni di sicurezza sono indicate da simboli in questo manuale. Le istruzioni di sicurezza sono introdotte da parole di segnalazione che esprimono la portata del pericolo.



#### PERICOLO!

Questa combinazione di simbolo e parola di segnalazione indica un'immediata situazione di pericolo che, se non evitata, può causare la morte o gravi lesioni.



#### AVVERTENZA!

Questa combinazione di simbolo e parola di segnalazione indica una possibile situazione di pericolo che, se non evitata, può causare la morte o gravi lesioni.



#### PRUDENZA!

Questa combinazione di simbolo e parola di segnalazione indica una possibile situazione di pericolo che, se non evitata, può causare lesioni lievi o leggere.

IT

	<b>INDICAZIONE!</b>
	La combinazione di simbolo e parola di segnalazione indica una possibile situazione di pericolo che, se non evitata, può causare danni materiali o ambientali.
	<b>CONSIGLI E RACCOMANDAZIONI</b>
	Questo simbolo evidenzia consigli e raccomandazioni utili e informazioni per un funzionamento efficiente e senza problemi.
<b>INDICAZIONI PARTICOLARI</b>	Per richiamare l'attenzione su particolari pericoli vengono utilizzati i seguenti simboli in correlazione alle indicazioni di sicurezza.
	<b>PERICOLO!</b>
	Questa combinazione di simbolo e parola di segnalazione indica una situazione pericolosa a livello immediato dovuta alla corrente elettrica. L'inosservanza di un avviso contrassegnato in questo modo può provocare lesioni gravi o mortali.

## 1.4. LIMITAZIONE DI RESPONSABILITÀ

Tutte le indicazioni in questo manuale operativo sono state realizzate considerando la normativa e le prescrizioni vigenti, lo stato attuale della tecnologia e la nostra lunga conoscenza ed esperienza in materia.

Il produttore non si assume alcuna responsabilità per i danni nei seguenti casi:

- Inosservanza di queste istruzioni
- Uso diverso da quello previsto
- Uso di personale non addestrato
- Modifiche tecniche e strutturali non autorizzate
- Uso di pezzi di ricambio non approvati
- Funzionamento dell'unità a pressione con dispositivi di sicurezza difettosi o dispositivi di sicurezza e di protezione non correttamente montati o non funzionanti
- Monitoraggio inadeguato delle apparecchiature, delle parti avvitate e delle guarnizioni soggette a usura
- Riparazioni eseguite in modo improprio
- Superamento o abbassamento del campo di temperatura specificato nella scheda tecnica durante il funzionamento o lo stoccaggio
- Catastrofi dovute a corpi esterni e forza maggiore durante l'immagazzinamento
- Catastrofi causate da corpi esterni e forza maggiore

L'entità effettiva della fornitura può discostarsi dalle spiegazioni e dalle illustrazioni qui descritte nel caso di versioni speciali, dell'uso di opzioni di ordinazione aggiuntive o a causa delle ultime modifiche tecniche. Si applicano gli obblighi concordati nel contratto di consegna, le condizioni generali, nonché le condizioni di consegna del produttore e le disposizioni legali valide al momento della stipula del contratto.

## 1.5. PROTEZIONE DEL COPYRIGHT

Il contenuto di questo manuale è protetto da copyright. Il suo uso è consentito nell'ambito dell'uso del presente dispositivo. Qualsiasi uso oltre questo non è permesso senza il consenso scritto del produttore.

## 1.6. PEZZI DI RICAMBIO



### AVVERTENZA!

- Pericolo di lesioni a causa dell'uso di pezzi di ricambio errati!
- L'uso di pezzi di ricambio errati o difettosi può causare pericoli per il personale, danni, malfunzionamenti o guasti totali.
- Usare solo pezzi di ricambio originali del produttore o pezzi di ricambio approvati dal produttore.
- Contattare sempre il produttore in caso di dubbio.



### GARANZIA INVALIDATA!

- L'uso di pezzi di ricambio non approvati invalida la garanzia del produttore.



## 1.7. DISPOSIZIONI DI GARANZIA

In linea di principio, si applicano le nostre "Condizioni generali di vendita e fornitura". Questi sono a disposizione del cliente al più tardi a partire dalla stipula del contratto.

## 1.8. SERVIZIO CLIENTI

Siamo sempre interessati ad avere informazioni ed esperienze acquisite dall'uso che possono essere preziose per migliorare i nostri prodotti.

# 2. SICUREZZA

Questo paragrafo fornisce una panoramica di tutti gli aspetti di sicurezza più importanti per una protezione ottimale delle persone nonché per un funzionamento sicuro e privo di anomalie. Ulteriori istruzioni di sicurezza relative alle attività sono contenute nelle sezioni relative alle singole fasi di vita del dispositivo.

## 2.1. USO PREVISTO

Utilizzare le stazioni di decompressione solo per i gas e le pressioni specificate e nel rispetto delle temperature specificate. La portata nominale è di 20 m<sup>3</sup>/h (aria compressa). L'uso previsto comprende anche il rispetto di tutte le informazioni e note di queste istruzioni e l'osservanza dei lavori di ispezione e manutenzione, nonché l'osservanza dei dati di targa e delle schede tecniche. Qualsiasi uso oltre l'uso previsto o qualsiasi altro uso è considerato un uso improprio.



### AVVERTENZA!

- **Pericolo a causa uso improprio!**
- L'uso improprio delle stazioni di decompressione può portare a situazioni pericolose.
- Non utilizzare mai le stazioni di decompressione per i liquidi.
- Non collegare mai sorgenti con pressioni di ingresso superiori a quelle previste per il pannello di controllo della pressione corrispondente.

### 2.1.1. MODIFICHE COSTRUTTIVE ALLA STAZIONE DI DECOMPRESSIONE

Non apportare modifiche, aggiunte o conversioni alla stazione di decompressione senza il permesso scritto del produttore.

Le stazioni di decompressione in cattivo stato devono essere sostituiti immediatamente

Pulizia degli apparecchi a gas e smaltimento dei residui

Tali stazioni usate in attesa di riparazione devono essere spurgati con un gas inerte (azoto).

Generazione di rumore In alcuni casi

l'interazione sfavorevole di alcune variabili di influenza, come la portata e il campo di pressione, ma anche il tipo di gas stesso, può portare alla generazione di rumore. In questi casi, si prega di contattare il produttore.

## 2.2. PERICOLI PRINCIPALI

La seguente sezione identifica i rischi residui che possono derivare dall'apparecchio anche se usato in modo conforme alle disposizioni. Per ridurre il rischio di lesioni personali e danni alla proprietà e per evitare situazioni pericolose devono essere osservate le istruzioni di sicurezza elencate qui e le istruzioni di sicurezza nelle altre sezioni di questo manuale.



### PERICOLO!

- **I gas possono essere pericolosi per la vita!**
- I gas possono spostare l'aria e quindi l'ossigeno contenuto in essa. Questo può portare al soffocamento. L'ossigeno forma un'atmosfera altamente ossidativa. I gas infiammabili possono formare un'atmosfera esplosiva.

**PERTANTO:**

- Assicurare una ventilazione sufficiente!
- Installazione solo da un'azienda specializzata certificata!
- Rispettare le direttive ATEX



#### ATTENZIONE!

- **Pericoli che possono derivare dall'ambiente!**

La condensa e/o la formazione di ghiaccio possono causare difetti nel dispositivo.

*PERTANTO:*

- Osservare i range di temperatura!
- Proteggere il dispositivo dai liquidi provenienti dall'esterno!
- Proteggere il dispositivo dalla polvere proveniente dall'esterno!
- Installare al riparo dalle intemperie!
- Collegare correttamente la messa a terra presente nel dispositivo!



#### AVVERTENZA!

- **Pericolo di incidenti quando si usano olio e grasso!**

Oli e grassi non devono mai essere usati nei sistemi di controllo della pressione. Gli oli e i grassi sono altamente infiammabili e reagiscono violentemente con certi gas sotto pressione.

*PERTANTO:*

- Non usare olio o grasso!



#### AVVERTENZA!

- **Pericolo di incidente a causa dell'energia immagazzinata nel sistema!**

Una manipolazione scorretta può far muovere in modo incontrollato pezzi in pressione o relative parti e causare lesioni gravi o addirittura mortali. Una manipolazione scorretta può provocare la fuoriuscita di gas dalle parti in pressione e causare lesioni gravi o addirittura mortali.

*PRIMA DI INIZIARE QUALSIASI LAVORO CON PARTI SOTTO PRESSIONE:*

- Installazione solo da un'azienda specializzata certificata!
- Indossare occhiali di protezione
- Indossare una protezione auricolare!
- Assicurarsi che il sistema non sia sotto pressione!
- Assicurarsi che non ci sia più energia immagazzinata nel sistema!
- Assicurarsi che nessun gas possa uscire involontariamente!
- Assicurarsi che le parti difettose siano sostituite immediatamente da personale addestrato!



#### AVVERTENZA!

- **Pericolo di incidente!**

Un'installazione errata può causare lesioni gravi o addirittura mortali.

*PERTANTO:*

- Assicurarsi che le unità non cadano durante l'installazione!
- Non gettare i dispositivi!

Le parti sotto pressione devono essere utilizzate solo per l'uso previsto.

In caso di danni meccanici alle tubazioni e ai raccordi, il sistema deve essere portato in uno stato sicuro (bloccare la sezione interessata).

I guasti che potrebbero compromettere la sicurezza devono essere eliminati immediatamente da personale addestrato e qualificato o dal produttore.

Specialmente con i gas, c'è il rischio di causare un difetto nel riduttore di pressione della linea. Un segnale che può far dedurre ciò è: o nessun flusso di gas dopo il riduttore di pressione o un improvviso aumento della pressione secondaria. Se il riduttore di pressione è difettoso, il sistema deve essere messo fuori servizio immediatamente. La società di manutenzione responsabile deve essere informata. Non chiudere mai le linee di scarico.

## 2.3. RESPONSABILITÀ DELL'OPERATORE

*OPERATORE*

L'operatore è la persona che utilizza l'apparecchio per scopi commerciali o economici o che lo mette a disposizione di terzi per l'uso/applicazione e che si assume la responsabilità legale del prodotto per la protezione dell'utente, del personale o di terzi durante il funzionamento.

## OBBLIGHI DEL GESTORE

Il dispositivo viene utilizzato in un'area industriale. Il gestore del dispositivo è soggetto alla normativa relativa alla sicurezza sul lavoro.

Oltre alle indicazioni in materiale della sicurezza sul lavoro nel presente manuale operativo bisogna considerare anche le normative di sicurezza, in materia di antinfortunistica e di tutela ambientale generalmente valide.

### VALGONO PARTICOLARMENTE I SEGUENTI PUNTI:

- Il gestore deve informarsi sulle disposizioni relative alla tutela sul lavoro in vigore e comunicare ulteriori pericoli in una valutazione dei pericoli che possono sorgere a causa delle speciali condizioni di lavoro sul luogo di utilizzo del dispositivo. Esse devono tradursi in istruzioni di utilizzo per l'operatore del dispositivo.
- Durante tutto il tempo di utilizzo del dispositivo il gestore deve controllare se le istruzioni di utilizzo redatte da lui corrispondono agli attuali standard normativi e, se necessario, adattare ad esse.
- L'operatore deve regolare chiaramente e definire le responsabilità per l'installazione, il funzionamento, la risoluzione dei guasti, la manutenzione e la pulizia.
- L'operatore deve assicurarsi che tutte le persone che maneggiano il dispositivo abbiano letto e compreso queste istruzioni. Inoltre, deve formare il personale a intervalli regolari e informarlo sui pericoli.
- L'operatore deve fornire al personale i dispositivi di protezione richiesti e dare istruzioni vincolanti per indossare i dispositivi di protezione richiesti.

Inoltre, l'operatore è responsabile di assicurare che la piena affidabilità tecnica del sistema sia garantita in ogni momento.

### SI APPLICA QUINDI QUANTO SEGUE:

- L'operatore deve garantire il rispetto degli intervalli di manutenzione specificati in questo manuale.
- L'operatore deve assicurarsi che tutti i dispositivi di sicurezza siano controllati regolarmente per verificarne l'affidabilità funzionale e la completezza.

## 2.4. REQUISITI DEL PERSONALE

### 2.4.1. QUALIFICHE

I vari compiti descritti in questo manuale richiedono diverse qualifiche alle persone incaricate di questi compiti.



#### AVVERTENZA!

- **Pericolo in caso di qualifica insufficiente delle persone addette!**
- Persone non sufficientemente qualificate non sono in grado di valutare i rischi quando maneggiano il dispositivo ed espongono se stessi e gli altri al rischio di lesioni gravi o mortali.
- Tutti i lavori devono essere eseguiti solo da persone qualificate!
- Tenere lontano dalla zona di lavoro le persone non sufficientemente qualificate!

Solo le persone che possono svolgere questo lavoro in modo affidabile sono autorizzate ad eseguire tutti i lavori. Non sono ammesse persone la cui capacità di reazione è influenzata, ad esempio, da droghe, alcol o farmaci.

In queste istruzioni sono designate per i vari compiti le qualifiche delle persone elencate di seguito:

#### INGEGNERI DELLA TECNOLOGIA DEL GAS

Possiede una formazione specialistica, capacità, esperienza e conoscenza delle norme e delle linee guida pertinenti per essere in grado di eseguire lavori su sistemi di controllo della pressione e identificare potenziali rischi. Gli ingegneri della tecnologia del gas sono addestrati in modo speciale per quanto riguarda il rispettivo sito di produzione e i suoi standard e linee guida specifici.

#### TECNICO

Possiede formazione specialistica, abilità ed esperienza negli standard e nelle linee guida pertinenti per intraprendere lavori sui sistemi di controllo della pressione e identificare potenziali rischi.

### 2.4.2. PERSONE NON AUTORIZZATE



#### AVVISO!

- **Pericolo di morte per persone non autorizzate a causa di pericoli nell'area di pericolo e di lavoro!**
- Le persone non autorizzate che non soddisfano i requisiti qui descritti non sono consapevoli dei pericoli nell'area di lavoro. Pertanto, c'è il rischio di lesioni gravi o addirittura di morte per le persone non autorizzate.

- Mantenere lontane le persone non autorizzate dall'area di lavoro!
- In caso di dubbio, avvicinare le persone e indirizzarle fuori dalla zona di pericolo e di lavoro!
- Interrompere i lavori finché le persone non autorizzate si trovano nella zona di pericolo e di lavoro!

### 2.4.3. ISTRUZIONI

L'operatore deve istruire regolarmente il personale. Per un migliore follow-up, si deve redigere un registro delle istruzioni con i seguenti contenuti minimi:

- Data delle istruzioni
- Nome della persona istruita
- Contenuto delle istruzioni
- Nome dell'istruttore
- Firme della persona istruita e dell'istruttore

## 2.5. DISPOSITIVI DI PROTEZIONE INDIVIDUALE

I dispositivi di protezione individuali sono utilizzati per proteggere le persone da danni alla sicurezza e alla salute sul lavoro.

Il personale deve indossare i dispositivi di protezione individuale durante le varie operazioni su e con il dispositivo, alle quali si fa riferimento separatamente nelle singole sezioni di questo manuale.



### AUTORESPIRATORE - APPARECCHI DI RESPIRAZIONE AD ARIA COMPRESSA

Protezione contro gas nocivi, vapori, polveri e sostanze simili.  
I dispositivi di protezione delle vie respiratorie (come gli apparecchi di respirazione ad aria compressa) devono essere utilizzati se non può essere garantito un contenuto di ossigeno superiore al 17% nell'aria ambiente e/o non può essere escluso un superamento dei limiti consentiti di sostanze nocive nell'aria ambiente. Gli autoretrospiratori possono essere indossati solo da personale appositamente addestrato.



### AUTORESPIRATORE - DIPENDENTE DA IMPIANTO RICIRCOLO ARIA

Protezione contro gas nocivi, vapori, polveri e sostanze simili.  
I dispositivi di protezione delle vie respiratorie, dipendenti comunque da impianti di ricircolo dell'aria, devono essere utilizzati se non si può escludere un superamento dei valori limite consentiti di sostanze nocive nell'aria ambiente. Gli autoretrospiratori possono essere utilizzati solo quando il contenuto di ossigeno nell'aria respirabile è garantito al di sopra del 17%.



### OCCHIALI DI PROTEZIONE

Per proteggere gli occhi da parti volanti nell'aria e dagli schizzi di liquido.



### GUANTI, RESISTENTI AI PRODOTTI CHIMICI

Protezione delle mani da sostanze aggressive.  
Bisogna fare attenzione che i guanti siano ben sigillati.  
Smaltire correttamente i guanti dopo l'uso.



### GUANTI PROTETTIVI

Protezione delle mani contro le influenze meccaniche e le superfici calde e fredde.



### INDOSSARE UNA PROTEZIONE AURICOLARE

Esso protegge l'udito dai rumori troppo forti e previene il trauma sonoro.

## 2.6. COMPORTAMENTO IN CASO DI INCENDIO E INCIDENTI

### MISURE PREVENTIVE

- Bisogna essere preparati sempre al fuoco e agli incidenti!
- Tenere sempre a portata di mano i dispositivi di primo soccorso (cassetta di pronto soccorso, coperte, etc) ed estintori.
- Il personale deve familiarizzare con le strutture di segnalazione degli incidenti, di primo soccorso e di salvataggio.
- Mantenere le vie d'accesso libere per i veicoli d'emergenza.

### AZIONE IN CASO DI INCENDIO E INCIDENTI

- Se non c'è pericolo per la propria salute, salvare le persone dalla zona di pericolo.
- Se necessario, avviare le misure di primo soccorso.
- Allertare i vigili del fuoco e/o i servizi di soccorso.
- In caso di incendio: Se non c'è pericolo per la propria salute, contrastare l'incendio con l'attrezzatura antincendio e continuare a farlo fino all'arrivo dei vigili del fuoco.
- Informare il responsabile del luogo di utilizzo.
- Vie d'accesso libere per i veicoli d'emergenza.
- Istruire il personale dei veicoli di soccorso.

## 2.7. PROTEZIONE AMBIENTALE



### AVVISO!

- **Pericolo per l'ambiente a causa della manipolazione errata di sostanze pericolose per l'ambiente!**
- La manipolazione scorretta delle sostanze pericolose per l'ambiente, in particolare lo smaltimento scorretto, può causare notevoli danni all'ambiente.
- Osservare sempre le seguenti istruzioni per la manipolazione e lo smaltimento delle sostanze pericolose per l'ambiente!
- Se le sostanze pericolose per l'ambiente vengono accidentalmente rilasciate nell'ambiente, prendere immediatamente le misure appropriate. In caso di dubbio, informare l'autorità locale competente del danno e chiedere l'adozione di misure adeguate!

## 2.8. SEGNALETICA



### AVVISO!

- **Pericolo se la segnaletica è illeggibile!**
- Con il tempo, gli adesivi e i cartelli possono sporcarsi o diventare irriconoscibili, in modo da rendere illeggibili i pericoli e le istruzioni operative necessarie. Questo crea un rischio di lesioni.
- Tutte le indicazioni di sicurezza, avvertenza e utilizzo sulla macchina devono essere tenute sempre in condizioni di perfetta leggibilità.
- Sostituire immediatamente i cartelli o gli adesivi danneggiati.

### 2.8.1. SEGNALI DI OBBLIGO

- Nessun segnale

### 2.8.2. SEGNALI DI DIVIETO

- Nessun segnale

### 2.8.3. SEGNALI DI AVVERTENZA - RISCHIO O PERICOLO



AVVERTIMENTO DI BOMBOLE  
DI GAS



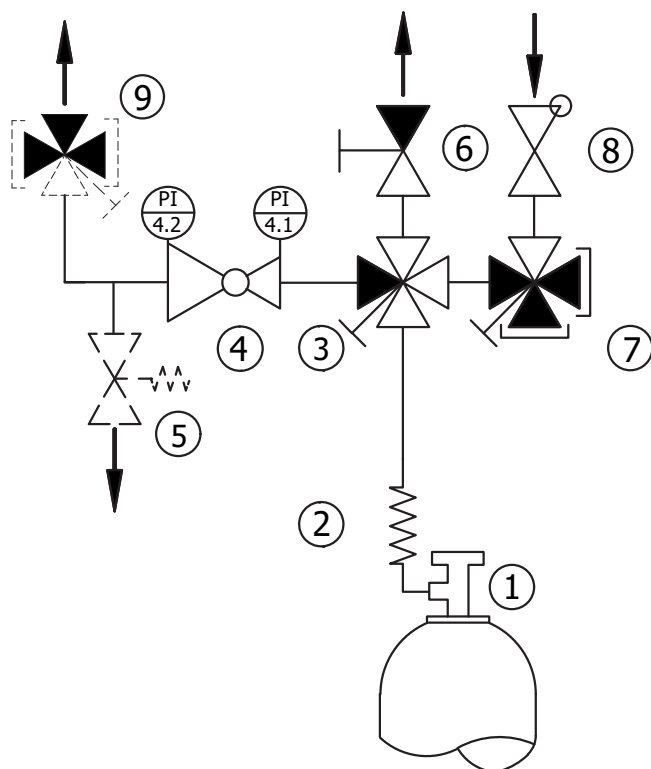
AVVERTIMENTO DI  
BOMBOLE DI GAS ESPLOSIVE  
IN ATMOSFERA



AVVISO DI SOSTANZE  
TOSSICHE E/O CORROSIVE

### 3. DATI TECNICI

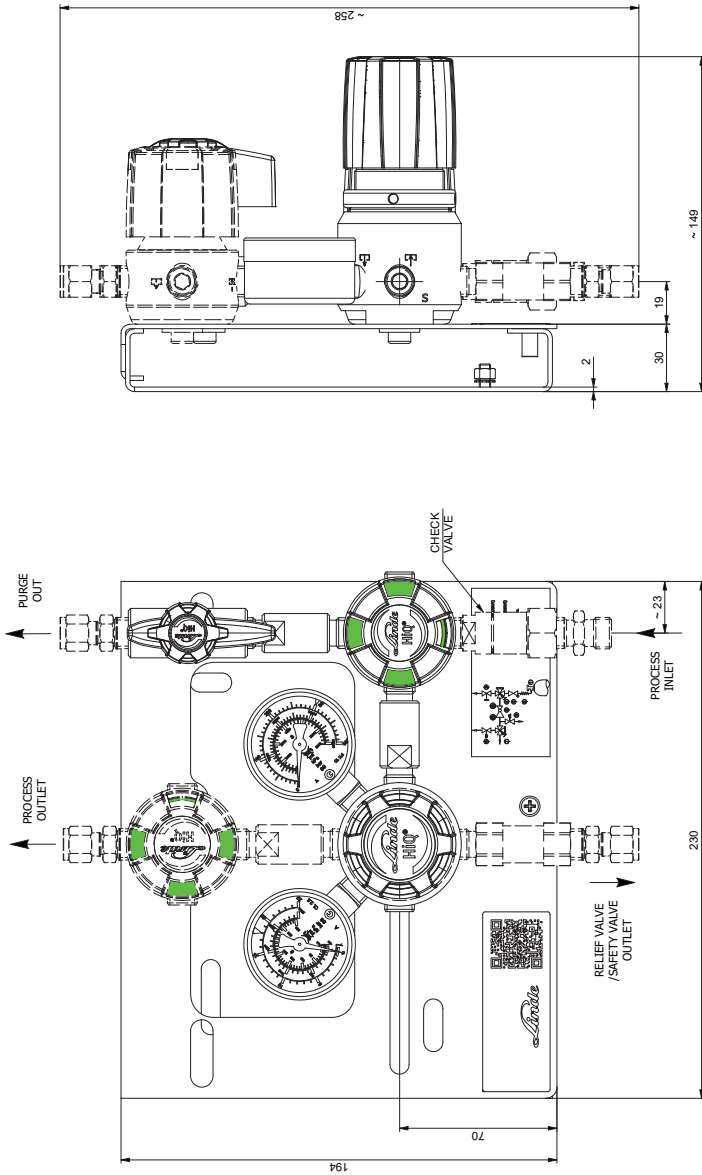
#### 3.1. DIAGRAMMA DI FLUSSO – S300/S200/S60



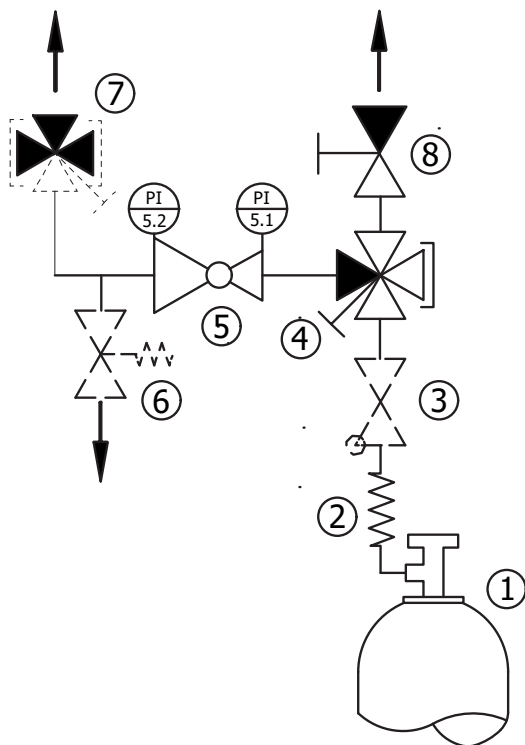
- 1 – BOMBOLA DEL GAS
- 2 – BOBINA
- 3 – VALVOLA DI INTERCETTAZIONE (3XIN, 1XOUT)
- 4 – REGOLATORE DI PRESSIONE CON MANOMETRO IN/OUT
- 5 – VALVOLA DI SFIATO / VALVOLA DI SICUREZZA, (OPZ.)
- 6 – VALVOLA DI SCARICO DI SPURGO
- 7 – VALVOLA INGRESSO SPURGOV (1XIN, 3XOUT)
- 8 – VALVOLA DI RITEGNO
- 9 – VALVOLA DI INTERCETTAZIONE (1XIN, 3XOUT); (OPZ.)

**Opzioni mostrate come linea tratteggiata**

### 3.2. DISEGNO QUOTATO – S300/S200/S60



### 3.3. DIAGRAMMA DI FLUSSO – S203



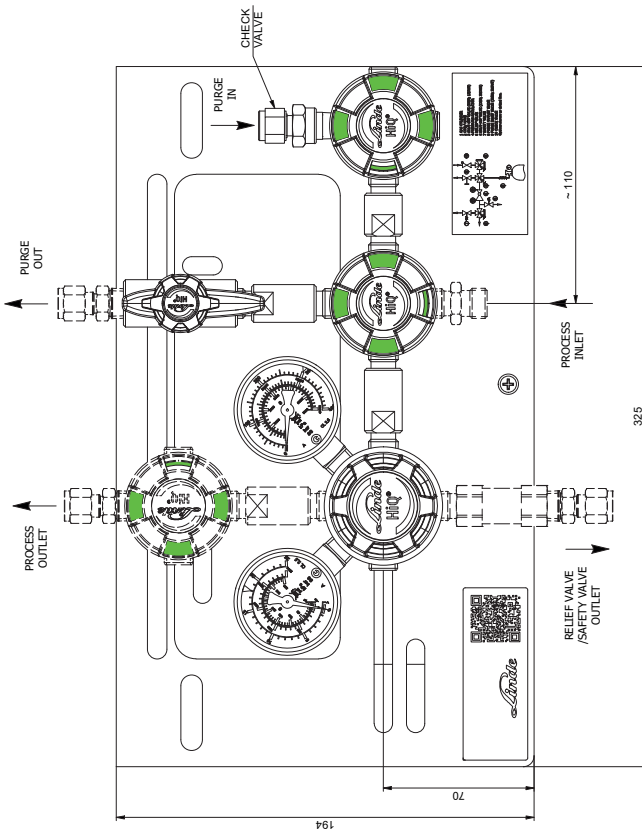
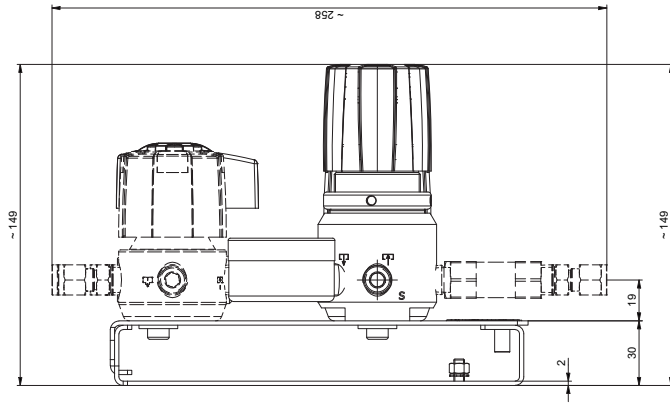
- 1 – BOMBOLA DEL GAS
- 2 – BOBINA
- 3 – VALVOLA DI RITEGNO (OPZ.)
- 4 – VALVOLA DI INTERCETTAZIONE (3XIN, 1XOUT)
- 5 – REGOLATORE DI PRESSIONE CON MANOMETRO IN/OUT
- 6 – VALVOLA DI SFIATO / VALVOLA DI SICUREZZA, (OPZ.)
- 7 – VALVOLA DI INTERCETTAZIONE (1XIN, 3XOUT), (OPZ.)
- 8 – VALVOLA DI SCARICO DI SPURGO

Opzioni mostrate come linea tratteggiata

IT



### 3.4. DISEGNO QUOTATO – S203



### 3.5. INFORMAZIONI GENERALI

Specifica	S300/S200/S60-BC	S300/S200/S60-SS
peso massimo [kg]	5,25	8,57
Larghezza [mm]	230	230
Larghezza [mm]	150	150
Altezza [mm]	194	194

Specifica	S203-SS
peso massimo [kg]	6,97
Larghezza [mm]	325
Larghezza [mm]	150
Altezza [mm]	194

### 3.6. VALORI DI COLLEGAMENTO

Information	Valore	Unità
Ingresso	NPT 1/4" femmina diversi adattatori disponibili	metrica pollici
Uscita	1/8", 1/4", 3/8", 1/2" 3, 6, 8, 10, 12	Anelli di serraggio pollici Anelli di serraggio mm
Valvola di scarico / valvola di flussaggio se presente	1/4", 3/8", 1/2" 6, 8, 10, 12	Anelli di serraggio pollici Anelli di serraggio mm
Valvola di sicurezza	NPT 1/2" femmina	pollice

### 3.7. VALORI DI PRESTAZIONI

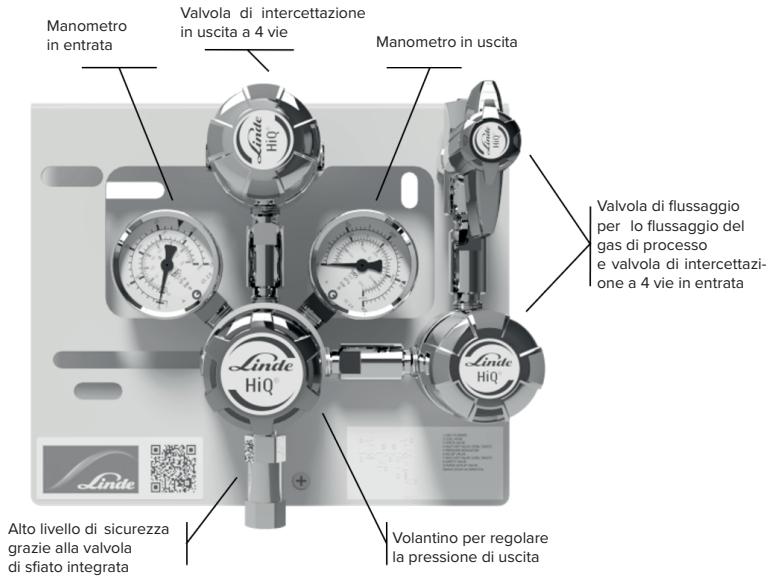
Information	Valore	Unità
Portata nominale	20 (aria compressa)	m <sup>3</sup> /h
Pressione in ingresso(max.)	S300: 300 S203: 200 S200: 200 S60: 60	bar
Pressione di uscita (max.)	200	bar

### 3.8. CONDIZIONI OPERATIVE DELL'AMBIENTE

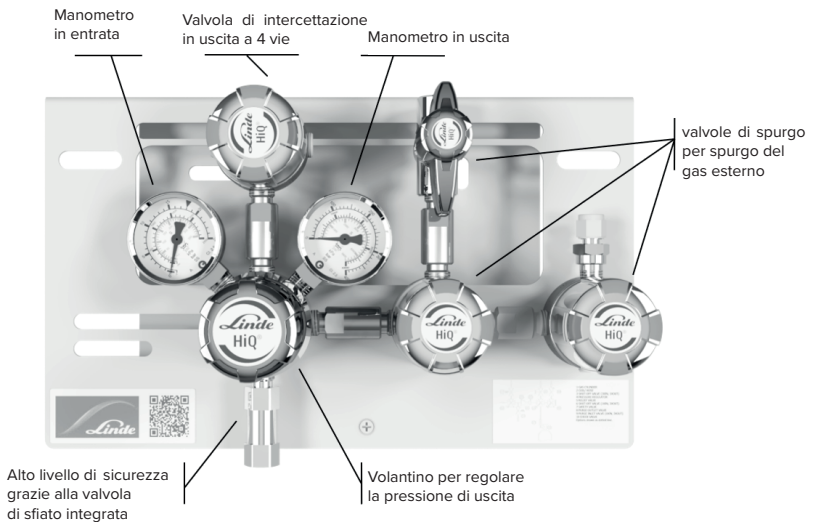
Information	Valore	Unità
Intervallo di temperatura da	-20 fino a +60	°C
Umidità relativa (max.)	98	%

## 4. STRUTTURA E FUNZIONE

### 4.1. STRUTTURA – S300/S200/S60



### 4.2. STRUTTURA – S203



### 4.3. BREVE DESCRIZIONE

Le stazioni di decompressione del tipo **S300/S200/S60-BC...** (Materiale: ottone cromato scaricano un gas o una miscela di gas industriale, atossico e non corrosivo, che è immagazzinato in un contenitore di gas pressurizzato/gruppo di contenitori di gas pressurizzati sotto sovrappressione, da una pressione massima fino a 300 bar ad una pressione di condotta (3 bar, 6 bar, 10 bar, 14 bar, 28 bar, 50 bar, 100 bar, 200 bar).

Le stazioni di decompressione del tipo **S300/S200/S60/S203-SS...** (Materiale: acciaio inossidabile scaricano anche gas tossici e corrosivi o miscele di gas immagazzinati in un contenitore di gas pressurizzato/bombola di gas pressurizzato in sovrappressione da una pressione massima fino a 300 bar a una pressione di conduzione (3 bar, 6 bar, 10 bar, 14 bar, 28 bar, 50 bar, 100 bar, 200 bar)

Una valvola di scarico nel riduttore di pressione della stazione protegge il suo campo di pressione a valle da un aumento inammissibile della pressione dovuto ad una perdita nella sede del riduttore di pressione. La valvola di sicurezza e/o la valvola di non ritorno possono essere aggiunte.

La pressione effettiva a monte e a valle del riduttore di pressione della stazione è indicata da manometri a tubo Bourdon. È possibile utilizzare manometri a contatto in entrambi i range di pressione a monte e a valle del riduttore di pressione.

Se la stazione ha un proprio sistema di flussaggio del gas, le aree ad alta pressione della stazione possono essere flussate da qualsiasi impurità prima di essere messe in funzione. Inoltre, questo sistema permette di alleggerire le zone ad alta pressione della stazione prima di cambiare le bombole.

Se la stazione è dotata di un flussaggio del gas esterno (S203), le aree ad alta pressione della stazione possono essere flussate con un gas di flussaggio inerte prima della messa in funzione e per garantire un cambio di bombole e/o una manutenzione sicura. La versione con flussaggio esterno del gas è disponibile solo nella versione in acciaio inossidabile della stazione di decompressione.

Tutti i sistemi descritti sopra sono montati su una staffa comune in acciaio inossidabile. Grazie alle dimensioni sufficientemente grandi di questa console, tutti i singoli componenti della stazione sono sufficientemente protetti da danni involontari durante il trasporto nell'imballaggio e in condizione montata. Il design diviso della staffa permette un fissaggio semplice e di peso ridotto. Un'apertura nel pannello frontale della console permette di sostituire i manometri senza smontare la console dalla stazione e il relativo smontaggio dal sistema di alimentazione. C'è un foro sulla piastra di base su ogni lato della stazione per attaccare i tubi di collegamento delle bombole tramite moschettoni. Il collegamento della stazione alla barra equipotenziale locale può essere effettuato su una vite montata a questo scopo sulla piastra di base della console.

Lo sviluppo, la fabbricazione e i test di produzione dei sistemi summenzionati sono stati eseguiti in conformità con le seguenti norme, tra le altre:

- Riduttore di pressione
- ISO 7291
- Valvole
- ISO 10297
- Manometro EN 837-1
- Protezione meccanica contro le esplosioni della stazione completa
- ISO80079-36; IEC 60079-32-1; TRGS 727

## 5. TRASPORTO, L'IMBALLAGGIO E STOCCAGGIO



### CONSIGLI E RACCOMANDAZIONI!

- L'installazione e la messa in funzione iniziale dovrebbero essere effettuate idealmente dai dipendenti del produttore o da persone autorizzate dal produttore.
- Ciononostante, può accadere che gli operatori o il personale di manutenzione dell'operatore siano incaricati della manipolazione dei pezzi nel corso dell'installazione e dell'ulteriore utilizzo. È essenziale seguire le istruzioni date qui sotto.

### 5.1. INDICAZIONI DI SICUREZZA PER IL TRASPORTO

IT



#### INDICAZIONE!

- ***Danni a causa di trasporto errato!***
- In caso di trasporto improprio, i pezzi di trasporto possono cadere o rovesciarsi. In caso di trasporto errato si possono verificare ingenti danni materiali.
- Quando si scaricano i materiali da trasportare alla consegna e durante il trasporto interno, procedere con attenzione e osservare i simboli e le istruzioni sull'imballaggio.
- Utilizzare solo i punti di fissaggio forniti.
- Non rimuovere l'imballaggio fino a poco prima del montaggio.

## 5.2. ISPEZIONE DOPO IL TRASPORTO

Controllare la merce consegnata subito dopo la sua ricezione per vedere se è completa e se ha subito danni causati dal trasporto.

IN CASO DI DANNI DI TRASPORTO VISIBILI ESTERNAMENTE, PROCEDERE COME SEGUE:

- Non accettare la consegna o accettarla solo con riserva.
- Annotate l'entità del danno sui documenti di trasporto o sulla bolla di consegna del trasportatore.
- Sporgere un reclamo.



### CONSIGLI E RACCOMANDAZIONI!

- Esporre qualsiasi difetto non appena viene rilevato. I reclami per danni possono essere fatti valere solo durante il periodo di garanzia.

## 5.3. IMBALLAGGIO

I singoli colli sono imballati secondo le condizioni di trasporto previste. Per l'imballaggio sono stati usati solo materiali ecologici. L'imballaggio ha lo scopo di proteggere i singoli componenti da danni di trasporto, corrosione e altri danni fino al montaggio. Pertanto, non distruggere l'imballaggio e rimuoverlo solo poco prima del montaggio.



### INDICAZIONE!

- **Pericolo per l'ambiente a causa di uno smaltimento errato!**
- I materiali di imballaggio sono materie prime preziose e in molti casi possono essere riutilizzati o lavorati e riciclati in modo sensato. Lo smaltimento errato dei materiali di imballaggio può essere pericoloso per l'ambiente.
- Smaltire i materiali di imballaggio in modo ecologico.
- Osservare le norme di smaltimento applicabili a livello locale. Se necessario, affidare lo smaltimento a una ditta specializzata.

## 5.4. STOCCAGGIO

Conservare i colli alle seguenti condizioni:

- Non conservare all'aperto.
- Conservare in un luogo asciutto e senza polvere.
- Non esporre a mezzi aggressivi.
- Proteggere dalla luce del sole.
- Evitare le sollecitazioni meccaniche.
- Temperatura di stoccaggio: Da 15 a 35 °C.
- Umidità relativa: max. 60 %.
- Se il colle è conservato per più di 3 mesi, controllare regolarmente lo stato generale di tutte le parti e dell'imballaggio. Se necessario, o rinnovare il prodotto conservante protettivo.



### CONSIGLI E RACCOMANDAZIONI!

- Ci possono essere istruzioni di conservazione sulle confezioni che vanno oltre i requisiti qui menzionati. Attenersi scrupolosamente ad esse.

# 6. INSTALLAZIONE E MESSA IN FUNZIONE INIZIALE

## 6.1. ISTRUZIONI DI SICUREZZA PER L'INSTALLAZIONE E PRIMA MESSA IN SERVIZIO

*PERSONALE*

L'installazione e la prima messa in servizio devono essere effettuati solo da personale qualificato.

## 6.2. PREPARAZIONI

*DISIMBALLAGGIO*

- I componenti devono essere disimballati con attenzione e prudenza.
- Rimuovere anche i materiali di imballaggio aggiuntivi.
- Ispezionare tutti i componenti per eventuali danni da trasporto

## SCARICO

- Depressurizzare il gas in qualsiasi sistema esistente, se necessario flussare con gas inerte.
- Separare le tubazioni nell'impianto esistente con strumenti speciali, evitando la formazione di trucioli.
- Assicurarsi che le parti di collegamento siano in perfette condizioni e pulite.

## 6.3. INSTALLAZIONE

L'installazione e la prima messa in funzione devono essere eseguite esclusivamente da personale qualificato.

La piastra di base della stazione di decompressione è fissata ad un'altezza di montaggio di 164 cm.

Il pannello frontale con la stazione di decompressione è agganciato alla piastra di base e fissato nella parte centrale inferiore con la vite in dotazione.

La piastra di base deve essere messa a terra tramite la vite in dotazione.

La stazione di decompressione della pressione è solitamente montata con raccordi a compressione sull'uscita del gas di processo, la valvola di scarico, gli ingressi del gas di flussaggio e l'uscita del gas di flussaggio.

Se presente, collegare anche la valvola di sicurezza e/o di non ritorno.

Per prima cosa rimuovere i tappi dalle connessioni.

Il montaggio si effettua inserendo completamente il tubo nel raccordo. Poi avvitare il dado di raccordo a mano e stringerlo bene con una chiave fissa (1 ¼ di giro) (prima installazione 1 ¼ di giro per le tubazioni più grandi di 1/8 di pollice e 3/4 di giro per le tubazioni 1/8 di pollice o più piccole, reinstallazione 1/4 di giro per tutte le tubazioni).

La linea di scarico è collegata alla valvola di scarico nello stesso modo. I tubi di scarico e di sfiato NON devono essere uniti e devono essere condotti in modo sicuro all'aria aperta; questo vale anche per il collegamento del tubo alla valvola di sicurezza, se presente.

Le serpentine di collegamento standardizzate e i tubi di collegamento (accessori disponibili) sono utilizzati per collegare le bombole di gas alla stazione di decompressione.

La serpentina/tubo di collegamento viene sempre fornita separatamente. Si deve controllare la corretta assegnazione della linea/tubo. Il numero di collegamento della bombola è stampato sul dado di collegamento. C'è solo una versione delle serpentine di connessione/tubi di connessione in ogni caso. Essa è adatto per il collegamento al lato sinistro e destro della stazione di decompressione.

Per montare la serpentina/tubo di collegamento sul pannello di controllo della pressione, rimuovere prima il tappo di plastica dal filetto di collegamento della serpentina/tubo e dalla stazione di decompressione. Assicurarsi che la guarnizione piatta fornita con la serpentina/tubo di collegamento sia inserita nel dado di raccordo.

Quindi avvitare il dado di raccordo sulla filettatura di collegamento all'ingresso della stazione di decompressione prima a mano e poi stringerlo con una chiave aperta. Quando si usa un tubo di collegamento, la corda di sicurezza con moschettone può essere agganciata alla piastra di base nella parte inferiore.

Per collegare la serpentina/tubo di collegamento alla bombola del gas, la filettatura della valvola della bombola e il dado del raccordo devono essere in perfetto stato.

Usare una nuova guarnizione ogni volta che si ricollega. Si possono usare solo linee a spirale e tubi di collegamento del produttore corrispondenti al tipo di gas utilizzato.

Controllare che le guarnizioni piatte siano posizionate correttamente nel tubo di collegamento della serpentina o del tubo. Non usare una prolunga per la chiave quando si stringe, altrimenti la filettatura e la guarnizione saranno distrutte. Questo può portare a delle perdite.

## 6.4. PREREQUISITO PER LA PRIMA MESSA IN SERVIZIO

- Sono disponibili i referti di prova dei sistemi di tubazioni per quanto riguarda la tenuta, se richiesto, e anche l'umidità o le particelle.
- Le linee del gas di processo, le linee del gas di flussaggio e la linea di flussaggio, così come le linee alle valvole di sicurezza e/o di non ritorno, se presenti, sono collegate.
- Nella linea del gas di processo c'è solo gas standard. (vedi punto 1.2)
- La messa in funzione deve essere eseguita solo da personale qualificato e con debita formazione.
- Gli indumenti protettivi devono essere indossati secondo le norme.
- Un attrezzo speciale, che eviti la formazione di scintille, deve essere usato e messo a disposizione prima della messa in funzione.
- Prima della messa in funzione iniziale, controllare la targhetta per assicurarsi che la stazione di decompressione sia adatta all'uso previsto (gas, pressione, materiale, ecc.)

## 6.5. PRIMA MESSA IN SERVIZIO

- Tutti i requisiti sono soddisfatti secondo il punto 6.4
- Il regolatore di pressione del secondo stadio è depressurizzato (chiuso)
- Tutte le valvole del pannello di controllo della pressione sono chiuse



### AVVERTENZA!

- È essenziale assicurarsi che la stazione di decompressione non sia pressurizzata oltre la pressione di esercizio consentita.
- Prima della messa in funzione, assicurarsi che nessuno possa essere messo in pericolo dal funzionamento dell'impianto in pressione.

### 6.5.1. FLUSSAGGIO GAS DI PROCESSO (S300/S200/S60)

I pannelli di controllo della pressione con flussaggio gas proprio sono utilizzati per rimuovere l'aria atmosferica che è entrata nel sistema durante il cambio della bombola e per scaricare la pressione sulla linea a serpentina o sul tubo di collegamento per il cambio della bombola. Assicurarsi che sia collegata una linea di scarico.

1. La valvola per lo spurgo del gas di processo è chiusa, la ginocchiera è trasversale alla direzione del flusso (valvola a 2 porte)
2. Il regolatore di pressione è depressurizzato (chiuso).
3. Chiudere la valvola di intercettazione in ingresso, la marcatura rossa è visibile (valvola a 4 porte).
4. Ora la valvola d'ingresso è chiusa solo in direzione del riduttore di pressione.  
Il percorso verso la valvola per il flussaggio con gas è libero.
5. Aprire lentamente la valvola della bombola.
6. Il gas di processo fluisce nella serpentina/tubo di collegamento.
7. Chiudere di nuovo la valvola della bombola.
8. Aprire brevemente la valvola per il flussaggio con gas di processo e permettere alla quantità di gas ora contenuta nella linea elicoidale/tubo ondulato di uscire attraverso la linea del gas di flussaggio.
9. Poi chiudere immediatamente la valvola per il flussaggio del gas di processo di nuovo.

*RIPETERE LE FASI DA 4 – 9 ALMENO 10 VOLTE*

### 6.5.2. FLUSSAGGIO CON GAS ESTERNO (S203)

Le stazioni di decompressione S203 con flussaggio esterno del gas si usano per rimuovere il gas tossico e/o corrosivo prima di cambiare le bombole e per scaricare la pressione nella serpentina o nel tubo di collegamento per cambiare le bombole. Assicurarsi che sia collegata una linea di scarico.

1. Controllare che l'ingresso del gas di flussaggio, l'uscita del gas di flussaggio, gli ingressi del gas di processo, la linea di flussaggio e, se applicabile, la valvola di sicurezza siano collegati correttamente.
2. Chiudere tutte le valvole, le marcature rosse devono essere visibili (4 porte).
3. Chiudere il riduttore di pressione girando il volantino in senso antiorario.
4. Aprire la valvola di flussaggio in entrata.
5. Chiudere di nuovo la valvola di flussaggio in entrata. Lasciare che il gas iniettato rimanga nel componente per alcuni secondi.
6. Aprire brevemente la valvola di flussaggio in uscita e far uscire il gas di flussaggio.
7. Chiudere nuovamente la valvola di flussaggio in uscita.

*RIPETERE LE FASI DA 4. – 7. ALMENO 10 VOLTE PER UN PERFETTO RISULTATO DI FLUSSAGGIO*

### 6.5.3. RIEMPIMENTO DEL TUBO DEL GAS DI PROCESSO

Prima della messa in funzione e del successivo riempimento del sistema di tubazioni, eseguire il flussaggio del gas proprio (vedi punto 6.5.1) o il flussaggio del gas esterno (vedi punto 6.5.2) a seconda del stazione di decompressione. Per ragioni di sicurezza, raccomandiamo di installare una linea di scarico in ogni caso.

1. Controllare se la serpentina /tubo, la linea di flussaggio, la linea di processo, la linea di sicurezza e la linea di scarico sono collegate correttamente.
2. Chiudere tutte le valvole della stazione di decompressione, marcatura rossa visibile (4 porte).
3. Ruotare il volantino del regolatore di pressione in senso antiorario fino all'arresto - il passaggio è ora chiuso.
4. Aprire lentamente la valvola di mandata
5. Aprire la valvola di intercettazione in entrata LENTAMENTE
6. La stazione di decompressione è ora in funzione.
7. Si raccomanda di controllare quotidianamente la stazione di controllo della pressione e di verificare le pressioni.

*SI CONSIGLIA DI CONTROLLARE GIORNALMENTE IL COLLETTORE E I MANOMETRI*

### 6.5.4. CAMBIO BOMBOLA



#### NOTA!

- Osservare i valori MAK (vedi Regole tecniche per le sostanze pericolose, TRGS 900)
1. Chiudere la valvola della bombola del gas
  2. Chiudere la valvola d'ingresso sul lato della bombola del gas vuota
  3. Valvola/ Aprire la valvola di ingresso / uscita per far scaricare la pressione nella serpentina o nel tubo di collegamento.
  4. S300/S200/S60: Effettuare il flussaggio con gas proprio (vedi punto 6.5.1);  
S203: Effettuare il flussaggio con gas esterno (vedi punto 6.5.2). Chiudere la valvola d'ingresso sul lato della bombola vuota
  5. Staccare la serpentina di collegamento/tubo ondulato dalla valvola della bombola del gas vuota.
  6. Collegare la nuova bombola del gas di servizio.
  7. Utilizzare **SEMPRE** una nuova guarnizione piatta

*PRIMA DELLA RIMESSA IN SERVIZIO:*

8. S300/S200/S60: Eseguire il flussaggio dei gas esterni (6.5.1)  
S203: Eseguire il flussaggio dei gas esterni (6.5.2).
9. Riempire la spirale di collegamento/tubo di collegamento con il gas di processo.

### 6.5.5. MESSA FUORI SERVIZIO DELL'IMPIANTO

Chiudere il regolatore di pressione di linea girando il volantino della stazione di decompressione in senso antiorario. La chiusura del regolatore di pressione non garantisce la tenuta, possono verificarsi perdite di gas attraverso i tubi o le utenze collegate.

Chiudere la valvola di chiusura del gas di servizio.

Per ragioni di sicurezza, chiudere sempre la valvola della bombola.

*QUANDO SI RIMUOVE COMPLETAMENTE LA STAZIONE DI DECOMPRESSIONE, SI PREGA DI NOTARE QUANTO SEGUE:*



#### PERICOLO!

- Depressurizzare il regolatore di pressione e le linee scaricando il gas attraverso l'utenza. Le lancette dei manometri di ingresso e di uscita devono essere completamente a "0".
- Se necessario, eseguire lo spurgo del gas naturale o del gas esterno.
- Se necessario, effettuare un flussaggio di gas proprio o di gas esterno.
- Devono essere prese adeguate misure di protezione personale.
- Osservare i valori MAK.
- È essenziale assicurarsi che la stazione di decompressione non sia pressurizzata oltre la pressione di esercizio consentita.
- Prima della messa in funzione, assicurarsi che nessuno possa essere messo in pericolo dal funziona-



mento dell'impianto in pressione.

## 6.6. CONTROLLI

- Dopo la pressurizzazione, controllare il funzionamento del regolatore di pressione.
- Controllare la tenuta della valvola di scarico. La valvola deve essere a tenuta stagna.
- Controllare la tenuta di tutte le valvole. Le valvole devono essere a tenuta stagna.

## 7. FUNZIONAMENTO

Secondo il capitolo 2.1, il funzionamento della stazione di decompressione è definito per i gas standard.



### PRUDENZA!

- Le valvole manuali devono sempre essere aperte lentamente e con attenzione per evitare sbalzi di pressione nel sistema e per proteggere altri componenti.

## 8. MANUTENZIONE

### 8.1. ISTRUZIONI DI SICUREZZA PER LA MANUTENZIONE



#### INDICAZIONE!

- I lavori di manutenzione devono essere eseguiti solo da personale qualificato, addestrato e autorizzato. (vedere il capitolo 2.4).

### 8.2. PROGRAMMA DI MANUTENZIONE

Le seguenti sezioni descrivono le operazioni di manutenzione necessarie per un funzionamento ottimale e senza problemi del dispositivo.

Se le ispezioni regolari mostrano una maggiore usura, accorciare gli intervalli di manutenzione richiesti in base ai segni reali di usura.



#### INDICAZIONE!

- Per qualsiasi domanda sulla manutenzione e gli intervalli di servizio, contattare il servizio clienti.

Intervallo	Lavori di manutenzione	Personale
Settimanale	Controllo visivo di tutti i componenti	Persona competente (TRBS 1203)
Una volta all'anno	Effettuare i test di funzionamento e di tenuta, ispezione di tutte le parti rilevanti per la sicurezza	Persona competente (TRBS 1203)
Ogni 10 anni	Revisione generale e sostituzione di tutte le parti di usura	Persona competente (TRBS 1203)

### 8.3. LAVORI DI MANUTENZIONE

#### 8.3.1. PULIZIA



#### INDICAZIONE!

- I detergenti devono essere compatibili con i materiali con cui entrano in contatto.

#### 8.3.2. PREREQUISITO PER LA MANUTENZIONE

*PRIMA DI INIZIARE LA MANUTENZIONE, VERIFICARE CHE*

- L'alimentazione del gas sia garantita in modo continuo.
- La stazione di decompressione è depressurizzata.
- Il regolatore di pressione è depressurizzato.
- La valvola è chiusa.
- Non c'è più gas di processo nel sistema.

- Il sistema è stato flussato con un gas inerte.

### 8.3.3. MANUTENZIONE STRAORDINARIA DI EMERGENZA

- Controllo della precisione del valore di visualizzazione per gli indicatori di pressione.
- Stazione di scarico della pressione, regolatore di pressione, valvole e indicatori di pressione: Controllare la funzione, lo stato e l'etichettatura.
- Controllo dell'etichettatura.
- Controllo di corrosione.
- Controllo della funzione.
- Effettuare una prova di tenuta con una pressione d'esercizio di 1 volta per 12 ore.
- I componenti usurati e difettosi devono essere sostituiti immediatamente; questo lavoro deve essere sempre eseguito da una ditta specializzata autorizzata.
- Le valvole sono state progettate in conformità alla norma ISO 10297. Questo include una prova di tipo in cui la valvola è stata sottoposta a una prova di vita fino a 2000 cicli. Dopo 2000 cicli, sostituire le parti interne che entrano in contatto con il mezzo; questo lavoro deve essere sempre eseguito da una ditta specializzata autorizzata.
- Se si riscontrano perdite o eccessiva corrosione nelle stazioni di scarico della pressione/regolatori di pressione o valvole, anche queste devono essere sostituite completamente tra il prossimo collegamento smontabile possibile da una ditta specializzata autorizzata.
- Dopo aver cambiato componenti o gruppi di tubazioni, i test di pressione devono essere effettuati nuovamente e registrati.

### 8.4. DOPO CHE LA MANUTENZIONE È STATA COMPLETATA

*ESEGUIRE LESEGUENTI OPERAZIONI PRIMA DI RIAVVIARE LA STAZIONE DI DECOMPRESSIONE, IL REGOLATORE DI PRESSIONE O LA VALVOLA:*

1. Accertarsi che tutti gli utensili, i materiali e gli altri dispositivi usati siano stati rimossi dalla zona di lavoro.
2. Pulire l'area di lavoro e rimuovere le sostanze che possono essere fuoriuscite, ad esempio liquidi, materiale di lavorazione o simili.
3. Assicurarsi che tutti i dispositivi di sicurezza del sistema funzionino correttamente.

## 9. GUASTI

Il seguente capitolo descrive le possibili cause dei guasti e il lavoro da fare per eliminarli. Se i guasti sono più frequenti, gli intervalli di manutenzione devono essere accorciati in base al carico effettivo. In caso di guasti che non possono essere risolti dalle seguenti istruzioni, contattare il produttore.

### 9.1. ISTRUZIONI DI SICUREZZA PER LA RISOLUZIONE DEI GUASTI

In caso di guasto, interrompere sempre l'alimentazione del gas, scaricare il regolatore di pressione e chiudere le valvole. Non eseguire mai lavori di manutenzione su componenti sotto pressione.

*COMPORAMENTO IN CASO DI GUASTI:*

1. Scollegare e fissare l'alimentazione del gas.
2. Rilasciare il regolatore di pressione, chiudere le valvole.
3. Solo il personale qualificato può rimuovere i guasti.
4. Ripristinare lo stato iniziale del dispositivo.

Descrizione	Causa	Soluzione	Valvole	Regolatore di pressione della bombola	Regolatore di pressione di linea	Stazioni di decompressione
Nessun flusso (il manometro d'ingresso mostra la pressione, quello d'uscita no)	Regolatore di pressione chiuso	Aprire lentamente il regolatore di pressione Chiudere la valvola di scarico		☑	☑	☑

Descrizione	Causa	Soluzione	Valvole	Regolatore di pressione della bombola	Regolatore di pressione di linea	Stazioni di decompressione
Nessun flusso (entrambi i manometri mostrano zero)	Valvola della bombola chiusa Valvola del gas di servizio chiusa Regolatore di pressione chiuso serpentina/tubo non collegato	Messa in servizio secondo il punto 6. Installazione e prima messa in servizio		<input checked="" type="checkbox"/>	<input checked="" type="checkbox"/>	<input checked="" type="checkbox"/>
Nessun flusso	Regolatore di pressione chiuso	Aprire lentamente il regolatore di pressione	<input checked="" type="checkbox"/>			
Aumento della pressione secondaria e apertura della valvola di scarico	Perdita nella sede del regolatore di pressione	Riparazione da parte del produttore		<input checked="" type="checkbox"/>	<input checked="" type="checkbox"/>	<input checked="" type="checkbox"/>
Leggero aumento della pressione secondaria e la valvola di scarico non si apre	Caduta di pressione in ingresso	Nessun errore, stato di funzionamento normale		<input checked="" type="checkbox"/>	<input checked="" type="checkbox"/>	<input checked="" type="checkbox"/>
Leggero aumento della pressione secondaria	Differenza tra pressione di flusso (con flusso) e pressione dinamica (senza flusso)	Nessun errore, stato di funzionamento normale		<input checked="" type="checkbox"/>	<input checked="" type="checkbox"/>	<input checked="" type="checkbox"/>
Leggera caduta di pressione secondaria	Differenza tra pressione dinamica (senza flusso) e pressione di flusso (con flusso)	Nessun errore, stato di funzionamento normale		<input checked="" type="checkbox"/>	<input checked="" type="checkbox"/>	<input checked="" type="checkbox"/>
Forte caduta di pressione secondaria	Flusso richiesto per il regolatore di pressione troppo alto	Selezione di un nuovo regolatore di pressione per la pressione e la portata richieste		<input checked="" type="checkbox"/>	<input checked="" type="checkbox"/>	<input checked="" type="checkbox"/>

Descrizione	Causa	Soluzione	Valvole	Regolatore di pressione della bombola	Regolatore di pressione di linea	Stazioni di decompressione
Forte caduta di pressione secondaria	Linea del gas di processo che perde	Controllare la linea del gas di processo		<input checked="" type="checkbox"/>	<input checked="" type="checkbox"/>	<input checked="" type="checkbox"/>
Pressione di uscita troppo alta	Impostazione errata del regolatore	Regolatore di pressione adattamento, regolazione, manutenzione		<input checked="" type="checkbox"/>	<input checked="" type="checkbox"/>	<input checked="" type="checkbox"/>
La pressione secondaria sale immediatamente fino all'arresto o la pressione secondaria sale lentamente oltre il valore impostato e la valvola di scarico salta	Sporcizia o danni alla sede del "punto di aumento".	Riparazione da parte del produttore		<input checked="" type="checkbox"/>	<input checked="" type="checkbox"/>	<input checked="" type="checkbox"/>
Rumori durante il funzionamento	Flusso richiesto per il regolatore di pressione troppo alto	Selezione di un nuovo regolatore di pressione per la pressione e la portata richieste		<input checked="" type="checkbox"/>	<input checked="" type="checkbox"/>	<input checked="" type="checkbox"/>
Nessun cambiamento nel controllo della valvola nonostante la rotazione del volantino	Volantino difettoso a causa di una coppia eccessiva, albero difettoso, filettatura difettosa	Riparazione da parte del produttore	<input checked="" type="checkbox"/>	<input checked="" type="checkbox"/>	<input checked="" type="checkbox"/>	<input checked="" type="checkbox"/>
Umidità sul regolatore di pressione (NON ci deve essere: rugiada, pioggia o neve)	Il regolatore di pressione sottrae energia dall'ambiente attraverso l'espansione del gas	Nessun errore Stato di funzionamento normale		<input checked="" type="checkbox"/>	<input checked="" type="checkbox"/>	<input checked="" type="checkbox"/>

Descrizione	Causa	Soluzione	Valvole	Regolatore di pressione della bombola	Regolatore di pressione di linea	Stazioni di decompressione
Formazione di ghiaccio sul regolatore di pressione (NON rugiada, pioggia o neve)	Il regolatore di pressione sottrae energia all'ambiente attraverso la decompressione del gas, capacità di erogazione limitata dei contenitori di gas pressurizzati, ad esempio con N <sub>2</sub> O, CO <sub>2</sub>	Nessun errore Stato di funzionamento normale ATTENZIONE: prestare attenzione alla funzionalità dei manometri a contatto, aumentare il numero di recipienti di gas in pressione		☑	☑	☑

La presente tabella non ha pretese di esaustività. In caso di domande o incertezze, contattare il produttore.

## 10. SMONTAGGIO E SMALTIMENTO

Una volta raggiunta la fine dell'uso del dispositivo, esso deve essere smontato e smaltito nel rispetto dell'ambiente.

### 10.1. STRUZIONI DI SICUREZZA PER LO SMONTAGGIO E LO SMALTIMENTO



#### ATTENZIONE!

- **Rischio di lesioni in caso di smontaggio improprio!**
- Energie residue immagazzinate, componenti acuminati, punte e spigoli sul dispositivo o sugli attrezzi necessari possono causare ferite.
- Assicurarsi che ci sia spazio sufficiente prima di iniziare il lavoro.
- Maneggiare con cura i componenti aperti con bordi taglienti.
- Prestare attenzione a mantenere sempre ordine e pulizia sul luogo di lavoro!
- I componenti o gli utensili sfusi posizionati in giro sono fonte di pericolo.
- Smontare correttamente i componenti. Si noti il peso parzialmente elevato dei componenti. Usare attrezzi di sollevamento se necessario.
- Fissare i componenti in modo che non cadano o si rovescino.
- In caso di incertezza, consultare il produttore.

### 10.2. SMONTAGGIO

#### PRIMA DELLO SMONTAGGIO

Chiudere il secondo stadio di pressione della stazione di decompressione girando il volantino in senso antiorario.

Depressurizzare il regolatore di pressione della stazione di decompressione e assicurarsi che non ci sia gas di processo all'interno della stazione di decompressione.

Depressurizzare il sistema e, se necessario, flussare con un gas inerte.

Scaricare il lato alta pressione della stazione tramite la valvola del gas di flussaggio.

A seconda della versione, eseguire il flussaggio con gas proprio o con gas esterno.

Rimuovere i materiali operativi e ausiliari e i materiali di lavorazione residui e smaltirli in modo ecologico.

Quindi pulire adeguatamente i gruppi e i componenti e smontarli in conformità con le norme locali applicabili in materia di salute e sicurezza sul lavoro e di protezione dell'ambiente.



#### AVVERTENZA!

- **Non aprire il sistema se c'è ancora gas tossico e/o corrosivo!**

### 10.3. SMALTIMENTO

A meno che non sia stato stipulato un accordo di ritiro o smaltimento, i componenti smontati devono essere riciclati:

Rottamare i metalli.

Portare la plastica presso un centro di riciclaggio.

Smaltire i componenti rimanenti ordinati secondo la composizione del materiale.

In conformità con l'articolo 33 del regolamento REACH, GCE, s.r.o., in qualità di produttore responsabile, si impegna a informare tutti i clienti se i materiali contengono lo 0,1% o più delle sostanze estremamente problematiche (SVHC) della lista.

Le leghe di ottone più comunemente usate per i corpi e altri componenti di ottone contengono il 2-3% di piombo (Pb), EC No. 231-468-6, CAS No. 7439-92-1. Il piombo non viene rilasciato nel gas o nell'ambiente durante il normale utilizzo. Alla fine della sua vita, il prodotto deve essere smaltito da un'azienda di riciclaggio dei metalli approvata per garantire uno smaltimento efficace del materiale con un impatto minimo sull'ambiente e sulla salute.

Ad oggi, non abbiamo informazioni che indichino che materiali con concentrazioni di SVHC superiori allo 0,1% siano contenuti nei prodotti GCE.



#### INDICAZIONE!

- ***Pericolo per l'ambiente a causa di uno smaltimento errato!***
- Uno smaltimento scorretto può causare pericoli per l'ambiente.
- Far smaltire i rifiuti elettrici, i componenti elettronici, i lubrificanti e altri materiali ausiliari da aziende specializzate approvate.
- In caso di dubbio, ottenere informazioni sullo smaltimento ecocompatibile dall'autorità municipale locale o da società di gestione dei rifiuti speciali.

IT

# INNHold

<b>1. GENERELT</b> .....	<b>356</b>
1.1. INFORMASJON OM DENNE ANVISNINGEN .....	356
1.2. INFORMASJON OM TRYKKAVLASTNINGS-STASJONEN.....	356
1.2.1. S300/S200/S60.....	357
1.2.2. S203 .....	357
1.3. SYMBOLFORKLARING .....	357
1.4. ANSVARSBEGRÆNSNING.....	358
1.5. OPPHAVSRETTSBESKYTTELSE .....	358
1.6. RESERVEDELER .....	358
1.7. GARANTIBESTEMMELSER .....	359
1.8. KUNDESERVICE .....	359
<b>2. SIKKERHET</b> .....	<b>359</b>
2.1. TILTENKT BRUK .....	359
2.1.1. KONSTRUKSJONSENDRINGER PÅ TRYKKAVLASTNINGS-STASJONEN .....	359
2.2. PRINSIPIELLE RISIKOER.....	359
2.3. OPERATØRENS ANSVAR.....	361
2.4. KRAV TIL PERSONALET .....	361
2.4.1. KVALIFIKASJONER.....	361
2.4.2. UAUTHORISERTE PERSONER.....	362
2.4.3. OPPLÆRING .....	362
2.5. PERSONLIG VERNEUTSTYR.....	362
2.6. TILTAK VED BRANNUTBRUDD OG ULYKKER.....	363
2.7. MILJØVERN .....	363
2.8. SKILT.....	363
2.8.1. PÅBUDSTEGN .....	363
2.8.2. FORBUDSTEGN.....	363
2.8.3. VARSELSKILT .....	363
<b>3. TEKNISKE DATA</b> .....	<b>364</b>
3.1. FLYTSKJEMA – S300/S200/S60.....	364
3.2. MÅLEARK – S300/S200/S60 .....	365
3.3. FLYTSKJEMA – S203.....	366
3.4. MÅLEARK – S203 .....	367
3.5. GENERELLE OPPLYSNINGER .....	368
3.6. TILKOBLINGSVERDIER .....	368
3.7. YTELSESVERDIER.....	368
3.8. DRIFTSBETINGELSER OMGIVELSE .....	368
<b>4. KONSTRUKSJON OG FUNKSJON</b> .....	<b>369</b>
4.1. KONSTRUKSJON – S300/S200/S60.....	369
4.2. KONSTRUKSJON – S203.....	369
4.3. KORT BESKRIVELSE .....	369
<b>5. TRANSPORT, EMBALLASJE OG LAGRING</b> .....	<b>370</b>
5.1. SIKKERHETSHENVISNINGER FOR TRANSPORT .....	370
5.2. TRANSPORT INSPEKSJON .....	370
5.3. EMBALLASJE.....	370
5.4. LAGRING .....	371
<b>6. INSTALLASJON OG FØRSTE IDRIFTSETTELSE</b> .....	<b>371</b>
6.1. SIKKERHETSHENVISNINGER FOR INSTALLASJONEN OG FØRSTE IDRIFTSETTELSE.....	371
6.2. FORBEREDELSE .....	371
6.3. INSTALLASJON .....	371
6.4. FORUTSETNING FOR FØRSTE IDRIFTSETTELSE.....	372
6.5. FØRSTE IDRIFTSETTELSE.....	372
6.5.1. PROSESSGASSPYLING (S300/S200/S60).....	372
6.5.2. EKSTERNGASSPYLING (S300/S200/S60).....	373
6.5.3. FYLLE PROSESSGASSLEDNINGEN MED PROSESSGASS .....	373
6.5.4. BYTTE AV FLASKE .....	373
6.5.5. SETTE ANLEGGET UT AV DRIFT .....	373
6.6. KONTROLLER.....	374



<b>7. DRIFT</b> .....	<b>374</b>
<b>8. VEDLIKEHOLD</b> .....	<b>374</b>
8.1. SIKKERHETSHENVISNINGER FOR VEDLIKEHOLDET .....	374
8.2. VEDLIKEHOLDSPLAN .....	374
8.3. VEDLIKEHOLDSARBEID .....	375
8.3.1. RENGJØRING .....	375
8.3.2. FORUTSETNING FOR VEDLIKEHOLD .....	375
8.3.3. NØDVENDIG VEDLIKEHOLDSYTELSE .....	375
8.4. TILTAK ETTER VELLYKKET VEDLIKEHOLD .....	375
<b>9. FEIL</b> .....	<b>375</b>
9.1. SIKKERHETSHENVISNINGER FOR RETTING AV FEIL .....	375
<b>10. DEMONTERING OG AVHENDING</b> .....	<b>378</b>
10.1. SIKKERHETSHENVISNINGER FOR DEMONTERING OG AVHENDING .....	378
10.2. DEMONTERING .....	378
10.3. DEPONERING .....	379

## 1. GENERELT

### 1.1. INFORMASJON OM DENNE ANVISNINGEN

Denne anvisningen gjelder følgende trykkavlastnings-stasjoner av typen:

- S300
- S203
- S200
- S60

Denne trykkavlastnings-stasjoner brukes for å ta gass ut av og avlaste gasstrykketanken. Trykkavlastnings-stasjonen festes permanent til veggen og er koblet til gasstrykketanken med en spiralledning eller en korrugert slange. Denne anvisningen muliggjør en sikker og effektiv bruk av enheten. Denne anvisningen er en del av enheten, må oppbevares i umiddelbar nærhet av enheten og må til enhver tid være tilgjengelig for personalet. Personalet må ha lest denne anvisningen nøye og forstått den før start av alt arbeid. Den grunnleggende forutsetningen for sikkert arbeid er overholdelsen av alle spesifiserte sikkerhetshenvisninger og håndteringsanvisninger i denne bruksanvisningen. I tillegg gjelder lokale forskrifter for forebygging av ulykker og generelle sikkerhetsforskrifter for bruksområdet for enheten. Illustrasjonene i disse anvisningene gjelder den grunnleggende forståelsen og kan avvike fra den faktiske utførelsen.

### 1.2. INFORMASJON OM TRYKKAVLASTNINGS-STASJONEN

Denne type trykkavlastnings-stasjoner kan kun brukes med den gassen som er definert som standard gass. Det maksimale arbeidstrykket for disse trykkavlastnings-stasjonene er opptil 300 bar. Ettrinns trykkavlastnings-stasjoner består av ventiler og trykkregulatorer med metallmembran Produsert og godkjent iht. NS-EN ISO7291 / 10297 inkludert oksygen-forbrenningstest.

Produktfamilie	(renhet 6.0   forkrømmet messing)	(renhet 6.0   rustfritt stål)
Med FKM tetning i ventilsetet på utblåsningsventilen	<ul style="list-style-type: none"> <li>• Gasser som kan brukes (inkludert deres blandinger):               <ul style="list-style-type: none"> <li>• High Purity</li> <li>• Inert</li> <li>• Brennbare</li> <li>• Oksiderende gasser</li> <li>• O<sub>2</sub></li> </ul> </li> <li>• Gasser som IKKE kan brukes (inkludert deres blandinger):               <ul style="list-style-type: none"> <li>• Etsende</li> <li>• Giftige</li> <li>• CO<sub>2</sub>, N<sub>2</sub>O</li> </ul> </li> </ul>	<ul style="list-style-type: none"> <li>• Gasser som kan brukes (inkludert deres blandinger):               <ul style="list-style-type: none"> <li>• High Purity</li> <li>• Inert</li> <li>• Brennbare</li> <li>• Oksiderende (opptil 200 bar)</li> <li>• O<sub>2</sub> opp til 200 bar</li> <li>• Etsende (ta kontakt hvis noe er uklart)</li> <li>• Giftige (ta kontakt hvis noe er uklart)</li> </ul> </li> <li>• Gasser som IKKE kan brukes (inkludert deres blandinger):               <ul style="list-style-type: none"> <li>• O<sub>2</sub> over 200 bar</li> <li>• CO<sub>2</sub>, N<sub>2</sub>O</li> <li>• NH<sub>3</sub>, SO<sub>2</sub>, H<sub>2</sub>S</li> </ul> </li> </ul>

with <b>EPDM</b> Relief Valve Seat	<ul style="list-style-type: none"> <li>• Gasser som kan brukes (inkludert deres blandinger): <ul style="list-style-type: none"> <li>• High Purity</li> <li>• Inert</li> <li>• Brennbare</li> <li>• Oksiderende gasser</li> <li>• CO<sub>2</sub>, N<sub>2</sub>O</li> </ul> </li> <li>• Gasser som IKKE kan brukes (inkludert deres blandinger): <ul style="list-style-type: none"> <li>• Etsende</li> <li>• Giftige</li> <li>• O<sub>2</sub> (andel større enn 21%)</li> <li>• Hydrokarboner</li> </ul> </li> </ul>	<ul style="list-style-type: none"> <li>• Gasser som kan brukes (inkludert deres blandinger): <ul style="list-style-type: none"> <li>• High Purity</li> <li>• Inert</li> <li>• Brennbare</li> <li>• Oksiderende gasser</li> <li>• Etsende</li> </ul> </li> <li>(ta kontakt hvis noe er uklart) <ul style="list-style-type: none"> <li>• Giftige</li> </ul> </li> <li>(ta kontakt hvis noe er uklart) <ul style="list-style-type: none"> <li>• CO<sub>2</sub>, N<sub>2</sub>O</li> <li>• NH<sub>3</sub>, SO<sub>2</sub>, H<sub>2</sub>S</li> </ul> </li> <li>• Gasser som IKKE kan brukes (inkludert deres blandinger): <ul style="list-style-type: none"> <li>• O<sub>2</sub> (andel større enn 21%)</li> <li>• Hydrokarboner</li> </ul> </li> </ul>
------------------------------------	---------------------------------------------------------------------------------------------------------------------------------------------------------------------------------------------------------------------------------------------------------------------------------------------------------------------------------------------------------------------------------------------------------------------------------------------------------------------------------------------------------------------	-----------------------------------------------------------------------------------------------------------------------------------------------------------------------------------------------------------------------------------------------------------------------------------------------------------------------------------------------------------------------------------------------------------------------------------------------------------------------------------------------------------------------------------------------------------------------------------------------------------------------------------------------------------------------------------------------------------------------------------------------------

Denne tabellen gjør ikke krav på å være fullstendig. Ved spørsmål og uklarheter må du ta kontakt med produsenten.

### 1.2.1. S300/S200/S60

Denne trykkavlastnings-stasjonen kan leveres i versjoner i forkrommet messing og i rustfritt stål Den består av følgende komponenter:

- Trykkregulator med manometer på inngangen og utgangen
- Spyleventil for prosessgasspyling og 4-veis stengeventil på inngangen
- Utblåsningsventil
- Frontplate og grunnplate

#### TILLEGG

- S: Sikkerhetsventil på utgangen
- C: Tilbakeslagsventiler på inngangene
- U: Sikkerhetsventil på utgangen og tilbakeslagsventiler på inngangene

### 1.2.2. S203




Denne trykkavlastnings-stasjonen kan kun leveres i rustfritt stål. Den består av følgende komponenter:

- Trykkregulator med manometer på inngangen og utgangen
- Hver med to 4-veis spyleventiler og en 2-veis ventil for inert gasspyling på inngangene
- Utblåsningsventil
- Fronplate og grunnplate

#### TILLEGG

- S: Sikkerhetsventil på utgangen

## 1.3. SYMBOLFORKLARING

<b>SIKKERHETS-HENVISNINGER</b>	Sikkerhetshenvisningene er i denne anvisningen merket med symboler. Sikkerhetshenvisningene innledes med signalord som uttrykker omfanget av risikoen.
	<b>FARE!</b> Denne kombinasjonen av symbol og signalord viser til en umiddelbar farlig situasjon som fører til dødsfall eller alvorlige personskader hvis den ikke unngås.
	<b>ADVARSEL!</b> Denne kombinasjonen av symbol og signalord viser til en mulig farlig situasjon som kan føre til dødsfall eller alvorlige personskader hvis den ikke unngås.
	<b>FORSIKTIG!</b> Denne kombinasjonen av symbol og signalord viser til en mulig farlig situasjon som kan føre til små eller lettere personskader hvis den ikke unngås.

NO



#### HENVISNING!

Denne kombinasjonen av symbol og signalord viser til en mulig farlig situasjon som kan føre til materielle skader og miljøskader og hvis den ikke unngås.



#### TIPS OG ANBEFALINGER

Dette symbolet fremhever nyttige tips og anbefalinger samt informasjon om en effektiv og feilfri drift.

### SPESIELLE ANVISNINGER

For å gjøre deg oppmerksom på spesielle farer brukes følgende symboler i sikkerhetshenvisningene.



#### FARE!

Denne kombinasjonen av symbol og signalord viser til en umiddelbar farlig situasjon på grunn av elektrisk strøm. Det kan føre til livsfare eller alvorlige personskader hvis denne merkingen ikke tas hensyn til.

## 1.4. ANSVARSBEGRENSNING

Alle opplysningene og henvisningene i denne anvisningen er utarbeidet ved å ta hensyn til gjeldende standarder og forskrifter, den nyeste teknikken og vår mangeårige kunnskap og erfaring.

I følgende tilfeller overtar produsenten intet ansvar for skader:

- Ved ikke å ta hensyn denne anvisningen
- Ved ikke tiltenkt bruk
- Bruk av ikke opplært personale
- Egenrådige tekniske og konstruksjonsmessige endringer
- Bruk av ikke tillatte reservedeler
- Drift av trykksatte enheter med defekte sikkerhetsanordninger eller feilmonterte eller ikke-funksjonerende sikkerhets- og beskyttelsesanordninger
- Utilstrekkelig overvåking av utstyr, forskruinger og tetningsdeler som er utsatt for slitasje
- Feil utførte reparasjoner
- Overskridelse eller underskridelser av temperaturområdet, under drift eller under lagring, som er angitt i databladet
- Katastrofer forårsaket av virkninger av fremmedlegemer og force majeure

Det faktiske leveringsomfanget kan avvike fra forklaringene og illustrasjonene som er beskrevet her når det gjelder spesialdesign, bruk av tilleggsordrer eller de siste tekniske endringene. Forpliktelsene som er avtalt i leveringskontrakten, de generelle forretningsbetingelsene samt produsentens leveringsbetingelser og de juridiske forskriftene som var gyldige på tidspunktet for inngåelsen av kontrakten, gjelder.

## 1.5. OPPHAVSRETTSBESKYTTELSE

Innholdet i disse anvisningene er beskyttet av opphavsrett. Bruk av disse er tillatt i forbindelse med bruk av enheten. Bruk utover dette er ikke tillatt uten skriftlig tillatelse av produsenten.

## 1.6. RESERVEDELER



#### ADVARSEL!

- Risiko for personskader på grunn av bruk av feil reservedeler.
- Bruk av feil eller defekte reservedeler kan utsette personalet for fare og forårsake personskader, funksjonsfeil eller totalutfall.
- Bruk kun originale reservedeler eller reservedeler godkjent av produsenten.
- Ta alltid kontakt med produsenten hvis noe er uklart.

NO



#### TAP AV GARANTIE

- Ved bruk av ikke godkjente reservedeler opphører garantien.

## 1.7. GARANTIBESTEMMELSER

Prinsipielt gjelder våre "Generelle salgs- og leveringsbetingelser". Disse er tilgjengelige for kunden senest ved kontraktsinngåelse.

## 1.8. KUNDESERVICE

Vi er alltid interessert i opplysninger og erfaringer om applikasjonen, som kan være verdifulle for å forbedre våre produkter.

# 2. SIKKERHET

Dette avsnittet gir en oversikt over de viktigste sikkerhetsaspektene for vern av personer samt for en sikker og feilfri drift. Ytterligere oppgaverrelaterte sikkerhetshenvisninger finnes i avsnittene om de enkelte livsfasene.

## 2.1. TILTENKT BRUK

Trykkavlastnings-stasjonen må kun benyttes til den oppgitte gassen og trykket mens den oppgitte temperaturen overholdes. Den nominelle volumstrømmen er 20 m<sup>3</sup>/h (trykkluft). Tiltent bruk innebærer også å overholde alle opplysningene og henvisningene i denne anvisningen og å overholde inspeksjons- og vedlikeholdsarbeid samt å ta hensyn til typeskilt og datablader. Enhver bruk som går utover den tiltenkte bruken eller annen bruk, anses som feil bruk.



### ADVARSEL!

- **Risiko ved feil bruk!**
- Feil bruk av trykkavlastnings-stasjonen kan føre til farlige situasjoner.
- Bruk aldri trykkavlastnings-stasjonen til væsker.
- Koble aldri til kilder med høyere inngangstrykk enn beregnet for tilsvarende trykkkontrollpanel.

### 2.1.1. KONSTRUKSJONSENDRINGER PÅ TRYKKAVLASTNINGS-STASJONEN

Foreta aldri påbygginger eller ombygginger av trykkavlastnings-stasjonen uten skriftlig tillatelse fra produsenten.

En trykkavlastnings-stasjon som ikke er i en feilfri tilstand må straks byttes ut.

Rengjøring av gassenheten og avhending av rester

Brukte trykkavlastnings-stasjoner som skal repareres, må spyles med en inert gass (nitrogen).

Støytutvikling

I noen tilfeller kan det ugunstige samspillet mellom visse påvirkende variabler, som strømningshastighet og trykkområde, men også selve gasstypen, føre til utvikling av støy. Vennligst ta kontakt med produsenten i slike tilfeller.

## 2.2. PRINSIPIELLE RISIKOER

I det følgende avsnittet nevnes restrisikoer som kan oppstå fra enheten selv om den brukes iht. tiltent bruk. For å redusere risikoen for personskader og materielle skader og for å unngå farlige situasjoner må sikkerhetshenvisningene som er oppført her og sikkerhetshenvisningene i de andre avsnittene i denne bruksanvisningen overholdes.



### FARE!

- **Gasser kan være livsfarlige!**
- Gasser kan fortrenge luften og dermed oksygenet i luften. Dette kan føre til kvelning. Oksygen skaper en sterk oksidativ atmosfære. Antennelige gasser kan skape en eksplosiv atmosfære.

DERFOR:

- Sørg for tilstrekkelig lufttilførsel.
- Må kun installeres av et sertifisert fagfirma.
- Ta hensyn til ATEX-direktivene

NO

**OBS!**

- **Risiko som kan oppstå fra omgivelsen!**

Kondens og/eller ising kan forårsake defekter i enheten.

*DERFOR:*

- Ta hensyn til temperaturområdet.
- Beskytt enheten mot væsker utenfra.
- Beskytt enheten mot støv utenfra.
- Monteres beskyttet mot værpåvirkning.
- Fest eksisterende jording på riktig måte.

**ADVARSEL!**

- **Risiko for ulykker ved bruk av olje og fett!**

I prinsippet må oljer og fett ikke brukes i trykkreguleringssystemer. Olje og fett er ekstremt brannfarlige og reagerer voldsomt med visse komprimerte gasser.

*DERFOR:*

- Bruk aldri olje eller fett.

**ADVARSEL!**

- **Risiko for ulykker på grunn av lagret energi i systemet!**

Feil håndtering kan føre til at trykkbærende deler eller enkeltdele beveger seg ukontrollert og forårsaker alvorlige eller til og med livsfarlige skader. Feil håndtering kan føre til at gass slipper ut fra deler under trykk og kan forårsake alvorlige eller til og med livsfarlige skader.

*FØR START AV ALT ARBEID PÅ DELER UNDER TRYKK:*

- Må kun installeres av et sertifisert fagfirma.
- Bruk vernebriller.
- Bruk hørselvern.
- Sikre at systemet ikke står under trykk.
- Sikre at ingen energi er lagret i systemet.
- Sikre at gass ikke kan slippe ut ukontrollert.
- Sikre at defekte deler straks byttes ut av opplært personale.

**ADVARSEL!**

- **Risiko for ulykker!**

Feil installasjon kan forårsake alvorlig personskader eller død.

*DERFOR:*

- Sikre at enheten ikke kan falle ned under monteringen.
- Ikke kast enheten.

Deler under trykk må kun brukes i henhold til tiltenkt bruk.

Ved mekanisk skade på rørdninger og armaturer må systemet bringes i en sikker tilstand (steng den berørte delen).

Feil som kan svekke sikkerheten må utbedres umiddelbart av opplærte og kvalifiserte ansatte eller produsenten.

Spesielt når det gjelder gasser, er det fare for en defekt i ledningstrykkregulatoren. Dette kjennetegnes av enten ingen gasstrøm etter trykkregulatoren eller en plutselig økning i mottrykket. Hvis trykkregulatoren er defekt må systemet straks settes ut av drift. Firmaet som er ansvarlig for vedlikehold må absolutt informeres. Lukk aldri utblåsningsledninger.

## 2.3. OPERATØRENS ANSVAR

### OPERATØR

Operatøren er den personen som driver enheten for kommersielle eller økonomiske formål eller som tillater en tredjepart å bruke den/applikasjonen og som bærer det juridiske produktansvaret for beskyttelse av brukeren, personalet eller tredjepart under drift.

### OPERATØRENS PLIKTER

Enheten brukes i kommersiell sektor. Operatøren av enheten er derfor underlagt lovbestemte forpliktelser angående arbeidssikkerhet.

I tillegg til sikkerhetshenvisningene i denne bruksanvisningen, må forskriftene om sikkerhet, forebygging av ulykker og miljøvern som gjelder for området der enheten brukes, overholdes.

### FØLGENDE GJELDER SÆRSKILT:

- Operatøren må være orientert om de gjeldende helse- og sikkerhetsforskriftene og bestemme ytterligere farer i en risikovurdering som følger av de spesielle arbeidsforholdene for enhetens bruk. Han må implementere disse i form av en bruksanvisning for drift av enheten.
- I hele enhetens levetid må operatøren kontrollere om bruksanvisningen han har laget samsvarer med gjeldende status for forskriftene, og om nødvendig tilpasse dem.
- Operatøren må tydelig regulere og definere ansvaret for installasjon, betjening, feilretting, vedlikehold og rengjøring.
- Operatøren må sørge for at alle personer som håndterer enheten har lest og forstått denne bruksanvisningen. I tillegg må han lære opp personalet i regelmessige tidsintervaller og informere dem om risikoene.
- Operatøren må gi personalet nødvendig verneutstyr og instruere dem i måten å bruke det nødvendige verneutstyret på.

I tillegg er operatøren ansvarlig for å sikre at systemets fulle tekniske pålitelighet til enhver tid er garantert.

### DERFOR GJELDER FØLGENDE:

- Operatøren må sørge for overholdelse av vedlikeholdsintervallene som er spesifisert i disse instruksjonene.
- Operatøren må sørge for at alle sikkerhetsinnretninger regelmessig kontrolleres for funksjonssikkerhet og fullstendighet

## 2.4. KRAV TIL PERSONALET

### 2.4.1. KVALIFIKASJONER

De forskjellige oppgavene beskrevet i denne anvisningen stiller forskjellige krav til kvalifikasjonene til de personene som er betrodd disse oppgavene.



### ADVARSEL!

- **Risiko når personer ikke har tilstrekkelige kvalifikasjoner!**
- Utilstrekkelig kvalifiserte personer kan ikke vurdere risikoen ved håndtering av enheten og utsetter seg selv og andre for risiko for alvorlige eller livsfarlige personskader.
- La alt arbeid utføres av kvalifiserte personer.
- Hold utilstrekkelig kvalifiserte personer borte fra arbeidsområdet.

Kun personer som kan forventes å utføre dette arbeidet på en pålitelig måte er tillatt for dette arbeid. Personer med redusert reaksjonsevne, f.eks. på grunn av narkotika, alkohol eller medisiner er ikke tillatt.

I denne bruksanvisningen er følgende kvalifikasjoner for personene oppgitt for de forskjellige oppgavene:

### INGENIØR INNEN GASSTEKNIKK

Har fagutdanning, ferdigheter, erfaring og kunnskap om relevante standarder og retningslinjer for å kunne arbeide med trykkontrollsystemer og identifisere potensielle risikoer. Ingeniører innen gassteknikk er spesielt opplært med hensyn til det respektive produksjonsanlegget og dets spesifikke standarder og retningslinjer.

### TEKNIKER

Har fagutdanning, ferdigheter, erfaring om relevante standarder og retningslinjer for å kunne arbeide med trykkontrollsystemer og identifisere potensielle risikoer.

NO

## 2.4.2. UAUTORISERTE PERSONER



### ADVARSEL!

- **Livsfare for uautoriserte personer på grunn av fare i fare- og arbeidsområdet!**
- Uautoriserte personer som ikke oppfyller kravene beskrevet her, er ikke klar over farene i arbeidsområdet. Derfor er det risiko for alvorlige personskader eller livsfare for uautoriserte personer.
- Hold uautoriserte personer borte fra fare- og arbeidsområdet.
- Hvis du er i tvil, snakk med personene og vis dem veien ut av fare- og arbeidsområdet.
- Avbryt arbeidet så lenge uautoriserte personer befinner seg i fare- og arbeidsområdet.

## 2.4.3. OPPLÆRING

Operatøren må lære opp personalet regelmessig. For bedre oppfølging må det opprettes en opplæringsprotokoll med minst følgende innhold:

- Dato for opplæringen
- Navnet til personen som får opplæring
- Opplæringens innhold
- Navnet til instruktøren
- Instruktørens og den opplærtes underskrift

## 2.5. PERSONLIG VERNEUTSTYR

Personlig verneutstyr brukes for å beskytte personer mot helseskader og motvirke reduksjon av sikkerhet på arbeidsplassen.

Under det forskjellige arbeidet på og med enheten må personalet bruke personlig verneutstyr, som det henvises til separat i de enkelte avsnittene i denne bruksanvisningen.

---

### ÅNDEDRETTSVERN. UAVHENGIG AV OMLUFTEN



Beskytter mot skadelige gasser, damper, støv og lignende stoffer. Åndedrettsapparater som f.eks. trykkluft-pusteapparat må brukes hvis et oksygeninnhold på mer enn 17 % i luften ikke kan garanteres, og/eller hvis tillatte grenseverdier for skadelige stoffer i luften ikke kan utelukkes. Åndedrettsvern uavhengig av omluften må kun brukes av spesialtrent personale.

---

### ÅNDEDRETTSVERN. UAVHENGIG AV OMLUFTEN



Beskytter mot skadelige gasser, damper, støv og lignende stoffer. Åndedrettsvern som er avhengig av omluften må brukes hvis det ikke kan utelukkes at tillatte grenseverdier for skadelige stoffer i luften kan overskrides. Omluftavhengige åndedrettsapparater kan kun brukes hvis oksygeninnholdet i pusteluften kan garanteres å være over 17%.

---

### VERNEBRILLER



Beskytter mot deler som kastes og dråper.

---

### HANSKER, KJEMISK RESISTENTE



Beskytter hendene mot aggressive substanser. Sørg for at hanskene er tette. Etter bruk må hanskene avhendes på riktig måte.

---

### VERNEHANSKER



Beskyttelse av hender mot mekanisk påvirkning og varme og kalde overflater.

---

### BRUK HØRSELVERN



Beskytter hørselen mot sterk støv og hindrer akustisk traume.

NO



## 2.6. TILTAK VED BRANNUTBRUDD OG ULYKKER\

### FOREBYGGENDE TILTAK

- Vær alltid forberedt på brann og ulykker.
- Hold førstehjelpsutstyr (førstehjelpsskrin, tepper, etc.) og brannslukningsutstyr funksjonsdyktig og innen rekkevidde.
- Gjør personalet kjent med ulykkesrapportering, førstehjelp og redningssystemer.
- Hold adkomstveiene tilgjengelige kun for utrykningskjøretøyer.

### TILTAK VED BRANN OG ULYKKER

- Hvis det ikke er fare for din egen helse, fjernes personer fra faresonen.
- Start om nødvendig førstehjelpstiltak.
- Varsle brannvesenet og/eller redningstjenesten.
- Ved brann: Hvis det ikke er fare for din egen helse, bekjemp brannen med brannslukningsutstyr og fortsett å kjempe til brannvesenet kommer.
- Informer den ansvarlige personen på stedet.
- Hold adkomstveiene tilgjengelige kun for utrykningskjøretøy.
- Anvis utrykningskjøretøyer.

## 2.7. MILJØVERN



### HENVISNING!

- **Miljøfare ved feil håndtering av miljøfarlige stoffer!**
- Feil håndtering av miljøfarlige stoffer, spesielt feil avhending, kan forårsake betydelige miljøskader.
- Følg alltid henvisningene nedenfor for håndtering av miljøfarlige stoffer og avhending av disse.
- Hvis miljøfarlige stoffer utilsiktet kommer ut i miljøet, må du umiddelbart sette i gang egnede tiltak. Hvis du er i tvil, informer den ansvarlige lokale myndigheten om skaden og spør om egnede tiltak som kan settes i gang.

## 2.8. SKILT



### ADVARSEL!

- **Fare på grunn av uleselige skilt!**
- Over tid kan klistremerker og skilt bli tilsmusset eller på annen måte uleselig, slik at farer ikke kan gjenkjennes og nødvendige betjeningshenvisninger ikke kan følges. Dette utgjør en risiko for personskade.
- Hold alltid alle sikkerhets-, advarsel- og betjeningshenvisninger i lesbar tilstand.
- Bytt straks ut skilt eller klistremerker som er skadet.

### 2.8.1. PÅBUDSTEGN

- Ingen tegn

### 2.8.2. FORBUDSTEGN

- Ingen tegn

### 2.8.3. VARSELSKILT



ADVARSEL OM GASSFLASKER



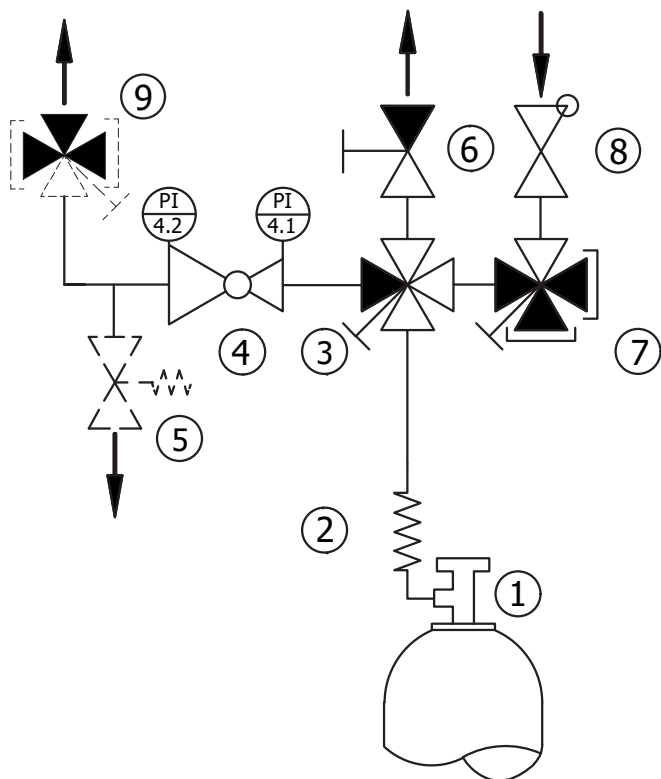
ADVARSEL OM  
EKSPLOSJONSFARLIG  
ATMOSFÆRE



ADVARSEL OM GIFTIGE OG/  
ELLER KORROSIVE STOFFER

### 3. TEKNISKE DATA

#### 3.1. FLYTSKJEMA – S300/S200/S60

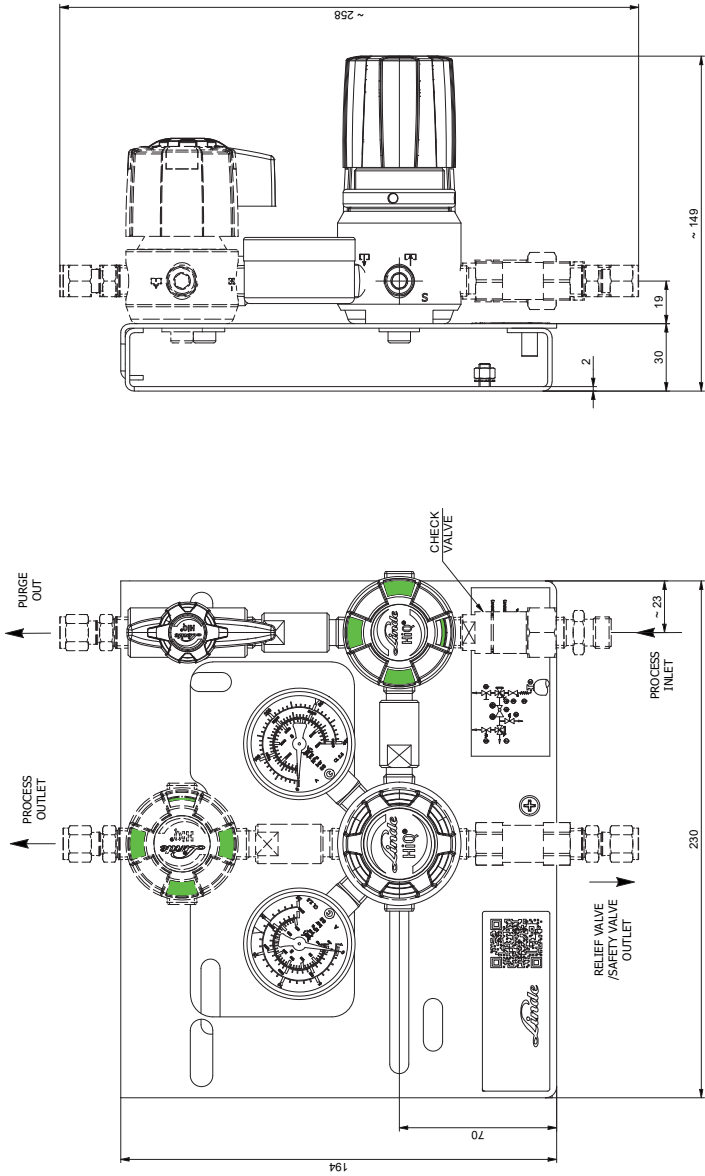


- 1 – GASSSYLINDER
- 2 – SPOLE
- 3 – AVSTENGNINGSVENTIL (3XIN, 1XOUT)
- 4 – TRYKKREGULATOR MED INN/UT MÅLER
- 5 – AVLASTNINGSVENTIL / SIKKERHETSVENTIL, (OPT.)
- 6 – RENSE UTLØPSVENTIL
- 7 – RENSEINNØPSVENTIL (1XIN, 3XOUT)
- 8 – TILBAKESLAGSVENTIL
- 9 – AVSTENGNINGSVENTIL (1XIN, 3XOUT); (OPT.)

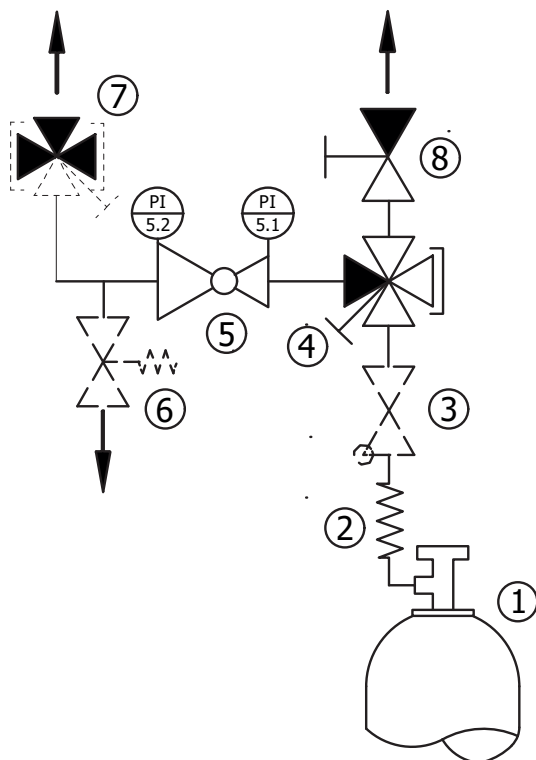
Alternativer vises som stiplet linje

NO

### 3.2. MÅLEARK – S300/S200/S60



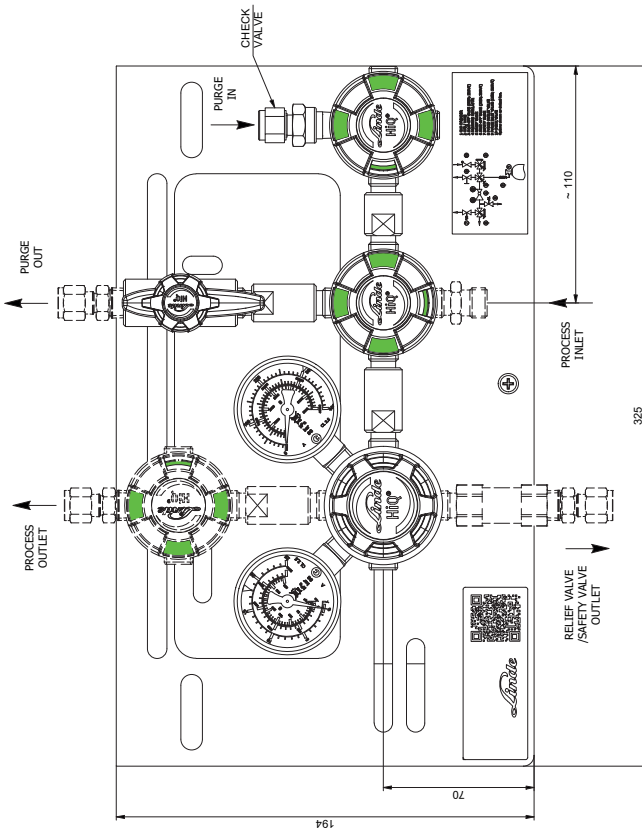
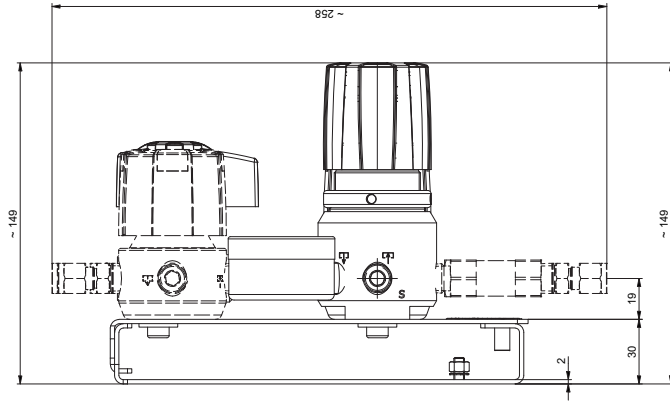
### 3.3. FLYTSKJEMA – S203



- 1 – GASSYLINDER
- 2 – SPOLE
- 3 – TILBAKESLAGSVENTIL (OPT.)
- 4 – AVSTENGNINGSVENTIL (3XIN, 1XOUT)
- 5 – TRYKKREGULATOR MED INN/UT MÅLER
- 6 – AVLASTNINGSVENTIL / SIKKERHETSVENTIL, (OPT.)
- 7 – AVSTENGNINGSVENTIL (1XIN, 3XOUT), (OPT.)
- 8 – RENSE UTLØPSVENTIL

Alternativer vises som stiplet linje

### 3.4. MÅLEARK – S203



NO

### 3.5. GENERELLE OPPLYSNINGER

Opplysning	S300/S200/S60-BC	S300/S200/S60-SS
maks. vekt [kg]	5,25	8,57
Lengde [mm]	230	230
Bredde [mm]	150	150
Høyde [mm]	194	194

Opplysning	S203-SS
maks. vekt [kg]	6,97
Lengde [mm]	325
Bredde [mm]	150
Høyde [mm]	194

### 3.6. TILKOBLINGSVERDIER

Opplysning	Verdi	Enhet
Inngang	NPT 1/4" hunn flere adaptere tilgjengelig	metrisk tommer
Utgang	1/8", 1/4", 3/8", 1/2" 3, 6, 8, 10, 12	Klemringer tommer Klemringer mm
Utblåsningsventil/spyleventil hvis tilgjengelig	1/4", 3/8", 1/2" 6, 8, 10, 12	Klemringer tommer Klemringer mm
Sikkerhetsventil	NPT 1/2" hun	tommer

### 3.7. YTELSESVERDIER

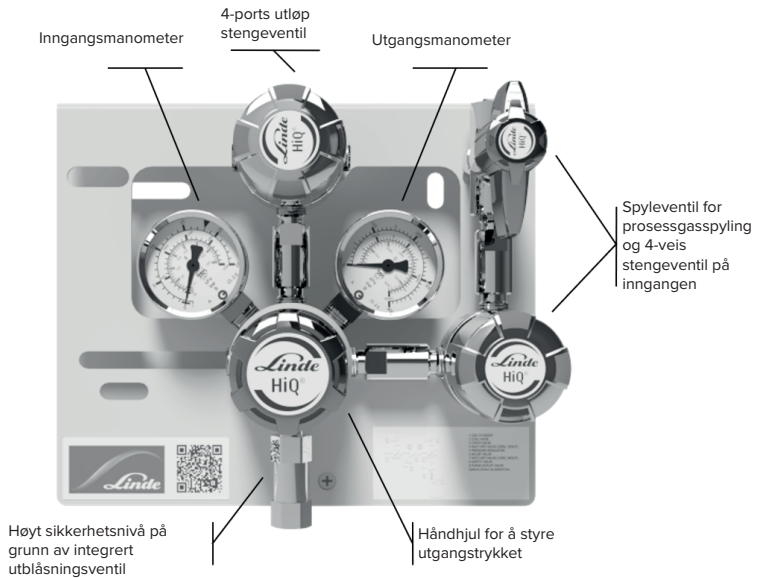
Opplysning	Verdi	Enhet
Nominelle gjennomstrømning	20 (trykkluft)	m <sup>3</sup> /h
Inngangstrykk (maks.)	S300: 300 S203: 200 S200: 200 S60: 60	bar
Utgangstrykk (maks.)	200	bar

### 3.8. DRIFTSBETINGELSER OMGIVELSE

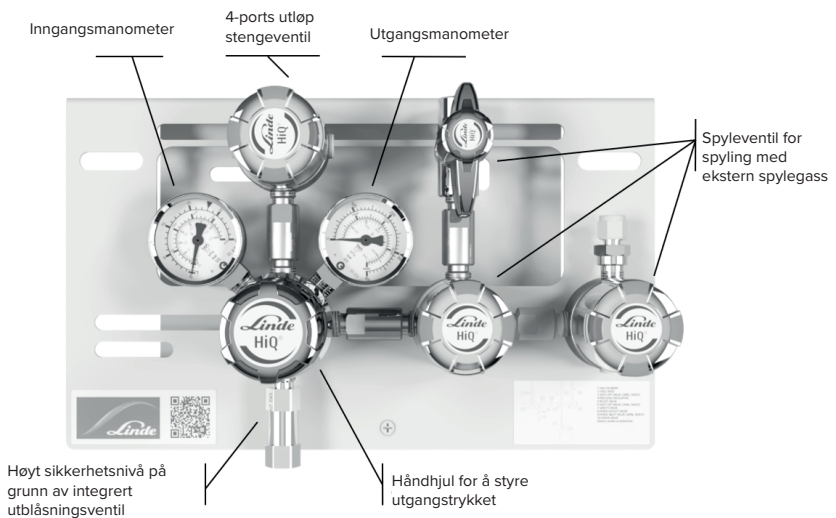
Opplysning	Verdi	Enhet
Temperaturområde	-20 till +60	°C
Relativ luftfuktighet (max.)	98	%

## 4. KONSTRUKSJON OG FUNKSJON

### 4.1. KONSTRUKSJON – S300/S200/S60



### 4.2. KONSTRUKSJON – S203



### 4.3. KORT BESKRIVELSE

Via trykkavlastnings-stasjon for type **S300/S200/S60-BC...**(material: forkrommet messing) avlastes en industriell, giftfri og ikke-etsende gass- eller gassblanding, som lagres i en gasstrykketank / gasstrykketank-samling under overtrykk med et maksimalt trykk på opptil 300 bar til et rørledningstrykk (3 bar, 6 bar, 10 bar, 14 bar, 28 bar, 50 bar, 100 bar, 200 bar).

NO

Via trykkavlastnings-stasjonen for type **S300/S200/S60/S203-SS...**(material: rustfritt stål) avlastes også giftige og etsende gass- eller gassblanding, som lagres i en gasstrykketank / gasstrykketank-samling under overtrykk med et maksimalt trykk på opptil 300 bar til et rørdningstrykk (3 bar, 6 bar, 10 bar, 14 bar, 28 bar, 50 bar, 100 bar, 200 bar).

En utblåsningsventil i stasjonens trykkreduksjonsenhet sikrer dens mottrykkssområde mot ikke tillatt trykkøkning via en lekkasje i trykkreduksjonssettet. I tillegg kan en sikkerhetsventil og/eller tilbakeslagsventil brukes.

Det faktiske oppstrøms- og nedstrømstrykket ved stasjonens trykkreduksjonsenhet vises med et Bourdonmanometer. Det er mulig å bruke kontaktmanometre både i oppstrøms- og nedstrømstrykkområdet til trykkreduksjonsenheten.

Hvis stasjonen har sitt eget gasspylesystem, kan stasjonens høytrykkssområder tømmes for eventuell forurensetning før den settes i drift. Dette systemet gjør det også mulig å avlaste høytrykkssområdene på stasjonen for skiftet av flaske.

Hvis stasjonen har et eksternt gasspylesystem (S203), kan høytrykkssområdene på stasjonen spyles med en inert spylegass før den settes i drift, for å sikre et sikkert skifte av flasker og/eller sikkert vedlikehold. Versjonen med eksternt gasspyling er kun tilgjengelig i trykkavlastnings-stasjonen i rustfritt stål.

Alle systemene beskrevet ovenfor er festet til en felles konsoll i rustfritt stål. På grunn av tilstrekkelig stor dimensjonering av denne konsollen, er alle enkeltkomponentene på stasjonen tilstrekkelig beskyttet mot utilsiktede skade under frakt i pakken og i montert tilstand. Konsollens splittede utførelse gjør det enkelt å feste den med redusert vekt. En åpning i frontplaten på konsollen gjør det mulig å bytte manometre uten å demontere konsollen fra stasjonen og tilhørende demontering fra forsyningssystemet. Det er et hull på grunnplaten på hver side av stasjonen for å feste flaske-tilkoblingssslanger med karabinkroker. Stasjonen kan kobles til den lokale potensialutførelsen ved hjelp av en skrue festet til konsollens grunnplate.

Utviklingen, produksjonen og produksjonstesting av de ovennevnte systemene er bl.a. utført i henhold til følgende standarder:

- Trykkreduksjonsenhet ISO 7291
- Ventiler ISO 10297
- Manometer EN 837-1
- Mekanisk eksplosjonsbeskyttelse av den komplette stasjonen ISO80079-36; IEC 60079-32-1; TRGS 727

## 5. TRANSPORT, EMBALLASJE OG LAGRING



### TIPS OG ANBEFALINGER

- Installasjonen og første idriftsettelse utføres ideelt av ansatte hos produsenten eller av personer autorisert av ham.
- Likevel kan det skje at betjeneren eller operatørens vedlikeholdspersonale under installasjon og videre bruk blir betrodd håndtering av pakker. Da er det viktig å følge henvisningene nedenfor.

### 5.1. SIKKERHETSHENVISNINGER FOR TRANSPORT



#### HENVISNING!

- **Risiko for materielle skader på grunn av feil transport!**
- Ved feil transport kan transportdeler falle ned eller velte. Dette kan forårsake betydelige materielle skader.
- Gå frem forsiktig når du lossere transportdelene ved levering og under intern transport, og følg symbolene og henvisningene på emballasjen.
- Bruk kun festepunktene som er anbefalt.
- Fjern emballasjen først kort tid før monteringen.

### 5.2. TRANSPORT INSPEKSJON

Kontroller leveringen straks etter mottaket for fullstendighet og transportskader.

FORTSETT SOM NEVNT NEDENFOR HVIS YTRE TRANSPORTSKADER BLIR OPPDAGET:

- Ikke akseptér levering eller kun med forbehold.
- Noter skadens omfang på transportpapirene eller på transportørens pakkseddel.
- Start reklamasjonen.





## TIPS OG ANBEFALINGER

- Reklamer enhver mangel straks den er oppdaget. Krav om skadeserstatning kan bare gjøres gjeldende innen garantiperioden.

### 5.3. EMBALLASJE

De enkelte pakkene er pakket i henhold til de forventede transportbetingelsene. Det brukes kun miljøvennlige materialer til emballasjen.

Emballasjen bør beskytte de enkelte komponentene mot transportskader, korrosjon og andre skader frem til monteringen. Derfor må emballasjen ikke ødelegges eller fjernes før kort tid før monteringen.



## HENVISNING!

- **Fare for miljøet på grunn av feil avhending!**
- Emballasjematerialer er verdifulle råstoffer og kan i mange tilfeller fortsatt benyttes eller bearbeides fornuftig og brukes om igjen. Feil avhending av emballasjematerialet kan føre til fare for miljøet.
- Sørg for miljøvennlig avhending av emballasjematerialet.
- Følg de lokalt gjeldende forskriftene for avhending. Eventuelt kan et spesialfirma få oppdrag om avhendingen.

### 5.4. LAGRING

Lagre pakker under følgende betingelser:

- Oppbevares ikke ute.
- Lagres tørt og støvfritt.
- Må ikke utsettes for aggressive medier.
- Beskyttes mot direkte sollys.
- Unngå mekanisk risting.
- Lagringstemperatur: 15 til 35 °C.
- Relativ luftfuktighet: maks. 60 %.
- Ved lagring i lengre tid enn 3 måneder må alle delenes og emballasjens generelle tilstand kontrolleres. Om nødvendig må konserveringen oppfriskes eller fornyes.



## TIPS OG ANBEFALINGER

- Det kan være henvisninger om lagring på pakkene som går utover kravene nevnt her. Disse må også overholdes.

## 6. INSTALLASJON OG FØRSTE IDRIFTSETTELSE

### 6.1. SIKKERHETSHENVISNINGER FOR INSTALLASJONEN OG FØRSTE IDRIFTSETTELSE

#### PERSONALE

Installasjonen og den første idriftsettelsen kan kun utføres av kvalifisert personale.

### 6.2. FORBEREDELSE

#### UTPAKKING

- Komponentene må pakkes ut forsiktig og varsomt.
- Fjern også eventuell ekstra emballasje.
- Undersøk alle komponenter for eventuelle transportskader.

#### AVLASTE

- Avlast gasstrykket i eksisterende anlegg, spyl om nødvendig med inert gass.
- Kutt rørledningen i alle eksisterende anlegg med et spesialverktøy, unngå spondannelse.
- Sørg for at tilkoblingsdelene er i perfekt stand og rene.

NO

## 6.3. INSTALLASJON

Installasjon og første igangkjøring må kun utføres av kvalifisert personell.

Trykkavlastnings-stasjonens grunnplate festes i en høyde på 164 cm.

Frontplaten med trykkavlastnings-stasjonen hektes inn i grunnplaten og festes med de medleverte skruene. Grunnplaten må jordes med skruen beregnet for det.

Trykkavlastnings-stasjonen er vanligvis montert med klemringforskruinger på prosessgassutgangen, utblåsningsventilen, spylegassinngangen og spylegassutgangen.

Hvis tilgjengelig, kobles også sikkerhets- og tilbakeslagsventilen til.

Først fjernes blindlokkene fra tilkoblingene.

Monteringen utføres ved å sette rørledningen helt inn i klemringforskruingen. Skru deretter på overfallsmutteren for hånd og stram godt til med en fastnøkkel (1 ¼ omdreining) (første installasjon 1 1/4 omdreining for rør større enn 1/8 tommer og 3/4 omdreining for rør på 1/8 tommer eller mindre, gjentatt installasjon 1/4 omdreining for alle rør).

Utblåsningsledningen kobles på samme måte til utblåsningsventilen. Avgass- og utblåsningsledningene må IKKE bringes sammen og må ledes ut i det fri uten risiko; dette gjelder også tilkobling av ledningen til sikkerhetsventilen, hvis tilgjengelig.

Standardiserte tilkoblingsspiraler og tilkoblingsslanger (tilgjengelig tilbehør) brukes til å koble gassflaskene til trykkavlastnings-stasjonen.

Tilkoblingsspiralen og tilkoblingsslangen leveres alltid separat. Den riktige tilordningen av ledningen/slangen må kontrolleres. På tilkoblingsmutteren er flasketilkoblings-nummeret slått inn. Det finnes kun én versjon for hver tilkoblingsspirale/tilkoblingsslange. Denne er egnet for tilkobling på venstre og høyre side av trykkavlastnings-stasjonen.

For å montere tilkoblingsspiralen/-slangen til trykkavlastnings-stasjonen, må du først fjerne plasthettene fra tilkoblingsgjengene på tilkoblingsspiralen/tilkoblingsslangen og trykkavlastnings-stasjonen. Sørg for at den flate tetningen som følger med tilkoblingsspiral/slangen er satt inn i overfallsmutteren.

Skrud deretter til overfallsmutteren for hånd på tilkoblingsgjengen på inngangen til trykkavlastnings-stasjonen, og stram den deretter med en fastnøkkel. Når du bruker en tilkoblingsslange, kan sikkerhetstauet hektes fast i bunnplaten med karabinkroker.

For å koble tilkoblingsspiralen/-slangen til gassflasken må gjengen på flaskeventilen og overfallsmutteren være i perfekt stand.

Bruk en ny tetning hver gang du kobler til. Det må kun brukes tilkoblingsspiraler og tilkoblingsslanger laget av produsenten i henhold til gasstypen som skal brukes.

Kontroller at de flate tetningene sitter korrekt i tilkoblingsstykket på tilkoblingsspiralen eller -slangen. En nøkkelforlengelse må ikke brukes ved strammingen fordi gjengen og tetningen kan ødelegges. Dette kan føre til lekkasje.

## 6.4. FORUTSETNING FOR FØRSTE IDRIFTSETTELSE

- Testprotokollene til rørsystemene med hensyn til tetthet, om nødvendig også fuktighet og partikler, er tilgjengelige.
- Prosessgassledningen, spylegassledningen og utblåsningsledningen samt ledningen til sikkerhets- og/eller tilbakeslagsventilen, hvis tilgjengelig, er tilkoblet
- I prosessgassledningen, er det kun standard gass. (se punkt 1.2)
- Idriftsettelsen må kun utføres av opplært fagpersonale.
- Verneutstyr som er i samsvar med forskriftene må brukes.
- Et gnistfritt spesialverktøy må brukes og holdes klart før idriftsettelsen.
- Før første idriftsettelse må du kontrollere ved hjelp av typeskiltet om den eksisterende trykkavlastnings-stasjonen er egnet for tiltenkt bruk (gass, trykk, materiale osv.)

## 6.5. FØRSTE IDRIFTSETTELSE

- Alle forutsetningene i henhold til punkt 6.4 er oppfylt
- Trykkregulatoren i det andre trinnet er avlastet (lukket)
- Alle ventilene som befinner seg på trykkavlastnings-stasjonen er lukket

NO



**ADVARSEL!**

- Det er viktig å passe på at trykkavlastnings-stasjonen ikke er under trykk utover det tillatte driftstrykket.
- Sørg for at ingen kan utsettes for risiko på grunn av idriftsettelsen før idriftsettelsen.

### 6.5.1. PROSESSGASSPYLING (S300/S200/S60)

Trykkavlastnings-stasjonen med intern gasspyling S300/S200/S60 brukes fordi den atmosfæriske luften som har kommet inn i systemet ved skifting av sylindere, kan fjernes og spiralledningen eller tilkoblingsslangen kan avlastes ved bytte av flaske. Kontroller at en utblåsningsledning er tilkoblet.

1. Ventil for prosessgasspyling er stengt, vippebryteren er vinkelrett på strømningsretningen (2-ports ventil)
2. Trykkregulatoren er avlastet (lukket).
3. Lukk innløpsavstengningsventilen, det røde merket er synlig (4-ports ventil).
4. Nå er stengeventilen inngang kun sperret i retning trykkreduksjonsheten.  
Veien retning ventil for prosessgasspyling er åpen.
5. Åpne flaskeventilen langsomt.
6. Prosessgassen strømmer i tilkoblingsspiralen/tilkoblingsslangen.
7. Lukk flaskeventilen igjen.
8. Åpne ventilen prosessgasspyling kort og la gassmengden som nå finnes i tilkoblingsspolen/tilkoblingsslangen slippe ut gjennom spylegassledningen.
9. Deretter lukkes straks ventilen for prosessgasspyling igjen.

*GJENTA TRINNENE 4 –9 MINST 10 GANGER*

### 6.5.2. EKSTERNGASSPYLING (S300/S200/S60)

Trykkavlastnings-stasjonen S300/S200/S60 med ekstern gasspyling brukes slik at giftig og/eller etsende gass kan fjernes og spiralslangen eller tilkoblingslange kan avlastes før bytte av flaske. Kontroller at en utblåsningsledning er tilkoblet.

1. Kontroller om spylegassinngangen, spylegassutgangen, prosessgassinngangen, utblåsningsledningen og ev. sikkerhetsventilen er godt lukket.
2. Lukk alle ventilene, den røde markeringen må være synlig (4-veis).
3. Lukk trykkreduksjonsheten ved å dreie håndhjulet mot utviseren.
4. Åpne inngangen til spyleventilen.
5. Lukk inngangen til spyleventilen igjen. La gassen som strømmer inn i komponentene fordele seg i noen sekunder.
6. Åpne utgangen til spyleventilen kort og la spylegass slippe ut.
7. Lukk utgangen til spyleventilen igjen.

*GJENTA TRINNENE 4. –7. MINST 10 GANGER FOR Å OPPNÅ ET FEILFRITT SPYLERESULTAT*

### 6.5.3. FYLLE PROSESSGASSLEDNINGEN MED PROSESSGASS

Før igangkjøring og fylling av det etterfølgende ledningssystemet, avhengig av trykkavlastnings-stasjonen, må du utføre intern gasspyling (se punkt 6.5.1) eller ekstern gasspyling (se punkt 6.5.2). Av sikkerhetsgrunner anbefaler vi i alle fall å montere en utblåsningsledning.

1. Kontroller om tilkoblingsspiralen/tilkoblingsslangen, spyle-, prosess-, sikkerhets- og utblåsningsledningene er tilkoblet korrekt.
2. Lukk alle ventilene på trykkavlastnings-stasjonen, rød markering synlig (4-veis).
3. Drei håndhjulet til trykkregulatoren mot urviseren til anslaget – gjennomstrømningen er dermed stengt.
4. Åpne flaskeventilen langsomt
5. Åpne stengeventilen **L A N G S O M T**
6. Trykkavlastnings-stasjonen er nå i drift.
7. Det anbefales å kontrollere trykkavlastnings-stasjonen hver dag og kontrollere trykket.

*VI ANBEFALER Å SJEKKE MANIFOLDEN OG TRYKKMÅLERNE DAGLIG*

### 6.5.4. BYTTE AV FLASKE

- Ta hensyn til MAK-verdien (se tekniske regler for farlige stoffer, TRGS 900)
1. Lukk flaskeventilen på gassflasken
  2. Lukk stengeventilen på inngangen på siden til den tomme gassflasken
  3. Åpne ventilen for egengasspyling / ventilen for utgangsspyling for å avlaste tilkoblingsspiralen eller -slangen.
  4. S300/S200/S60: Gjennomfør egengasspyling (se punkt 6.5.1)  
S203: Gjennomfør ekstern gasspyling (se punkt 6.5.2)
  5. Lukk stengeventilen på inngangen på siden til den tomme flasken
  6. Løsne tilkoblingsspiralen/tilkoblingsslangen fra flaskeventilen til den tomme gassflasken
  7. Koble til en ny bruksgassflaske, bruk ALLTID ny flat tetning

*FØR IDRIFTSETTELSE IGJEN:*

8. S300/S200/S60: Gjennomfør egengasspyling (6.5.1)  
S203: Gjennomfør ekstern gasspyling (6.5.2).
9. Fyll tilkoblingsspiralen/tilkoblingsslangen med prosessgass.

### 6.5.5. SETTE ANLEGGET UT AV DRIFT

Lukk trykkavlastnings-stasjonen ved å dreie trykkregulatorens håndhjul mot urviseren. Å lukke trykkregulatoren garanterer ingen tetthet, det kan komme ut gass gjennom slanger eller de tilkoblede bruksstedene.

Lukk stengeventilen for bruksgass.

Av sikkerhetsgrunner må også flaskeventilen lukkes.

*NÅR HELE UTVIDElsen AV TRYKKAVLASTNINGS-STASJONEN SKAL DEMONTERES, MÅ FØLGENDE TAS HENSYN TIL:*



#### FARE!

- Avlast trykkregulatoren og ledningen ved å avlede gassen via bruksstedene. Viserne på inngangs- og utgangsmanometerne må stå fullstendig på "0".
- Utfør om nødvendig naturgass eller ekstern gassrensing.
- Gjennomfør eventuelt en egengass- eller eksterngasspyling.
- Bruk egnet personvernutstyr.
- Pass på MAK-verdiene.
- Det er viktig å passe på at trykkavlastnings-stasjonen ikke er under trykk utover det tillatte driftstrykket.
- Sørg for at ingen kan utsettes for risiko på grunn av idriftsettelsen før idriftsettelsen.

### 6.6. KONTROLLER

- Kontroller trykkregulatorens funksjon etter at trykket er på.
- Kontroller utblåsningsventilens tetthet. Ventilen må være blåsett.
- Kontroller alle ventilene for tetthet. Ventilen må være blåsett.

## 7. DRIFT

I henhold til kapittel 2.1 er driften av trykkavlastnings-stasjonen definert for standard gass.



#### FORSIKTIG!

- Håndventilen må alltid åpnes langsomt og forsiktig for å unngå trykkstøt i systemet og beskytte andre komponenter.

## 8. VEDLIKEHOLD

### 8.1. SIKKERHETSHENVISNINGER FOR VEDLIKEHOLDET



#### HENVISNING!

- Vedlikeholdsarbeid kan kun gjennomføres av kvalifisert, opplært og autorisert personale. (se kapittel 2.4).

### 8.2. VEDLIKEHOLDSPLAN

I de neste avsnittene beskrives vedlikeholdsarbeidet som er nødvendig for en optimal og feilfri drift av enheten.

Hvis du kan se økt slitasje under regelmessige kontroller, må du forkorte de nødvendige vedlikeholdsintervallene i henhold til de faktiske tegnene på slitasje.



#### HENVISNING!

- Kontakt kundeservice hvis du har spørsmål om vedlikeholdsarbeid og vedlikeholdsintervaller.

Intervall	Vedlikeholdsarbeid	Personale
Ukentlig	Alle komponenter visuelle kontroll	Kvalifisert person (TRBS 1203)
Én gang per år	Driftskontroll for funksjon og tetthet, kontroll av alle sikkerhetsrelevante deler	Kvalifisert person (TRBS 1203)
Hvert 10. år	Generaloverhaling og bytte av alle slidedeler	Kvalifisert person (TRBS 1203)

## 8.3. VEDLIKEHOLDSARBEID

### 8.3.1. RENGJØRING



#### HENVISNING!

- Rengjøringsmidler må være kompatible med materialene de kommer i kontakt med.

### 8.3.2. FORUTSETNING FOR VEDLIKEHOLD

*FØR START AV VEDLIKEHOLDET MÅ DET KONTROLLERES AT*

- Gassforsyningen er brutt og sikret.
- Trykkavlastnings-stasjonen er trykkløs.
- Trykkregulatoren er trykkløs.
- Ventilen er lukket.
- Det ikke finnes mer prosessgass i systemet.
- Systemet er spylt rent med en inert gass.

### 8.3.3. NØDVENDIG VEDLIKEHOLDSYTELSE

- Test av visningsnøyaktigheten til visningsverdien ved trykkvisninger.
- Kontroller trykkavlastnings-stasjonen, trykkregulatoren, ventiler og trykkvisninger: tilstand for funksjon, tilstand og merking.
- Kontroller merkingen.
- Kontroller for korrosjon.
- Kontroller funksjonen.
- Utfør en tetthetskontroll med 1 ganger driftstrykket over 12 timer.
- Bytt straks ut slitte og defekte komponenter, dette arbeidet må i alle fall settes bort til et autorisert fagfirma.
- Ventilens design tilsvarer NS-EN ISO 10297. Den inneholder en typeprøving der ventilen utsettes for en levetidstest på opptil 2 000 sykluser. Etter 2 000 sykluser byttes de innvendige delene som har vært i kontakt med mediet, dette arbeidet må i alle fall settes bort til et autorisert fagfirma.
- Hvis det oppdages utettheter eller overdreven korrosjon på trykkavlastnings-stasjonen/trykkregulatorer eller ventiler, må disse også skiftes helt ut mellom neste mulige avtakbare tilkobling, av et autorisert fagfirma.
- Etter bytte av komponenter eller rørledningsgrupper må en ny trykktest gjennomføres og protokolleres.

## 8.4. TILTAK ETTER VELLYKKET VEDLIKEHOLD

*ETTER AVSLUTTET VEDLIKEHOLDSARBEID OG FØR NY IDRIFTSETTELSE AV TRYKKAVLASTNINGS-STASJONEN, TRYKKREGULATOREN OG VENTILEN MÅ FØLGENDE TRINN GJENNOMFØRES:*

1. Kontroller at alle benyttede verktøy, materialer og annet utstyr fjernes fra arbeidsområdet.
2. Rengjør arbeidsområdet og fjern eventuelle stoffer som kommer ut, som f.eks. væsker, bearbeidingsmaterialer eller tilsvarende.
3. Kontroller at alle sikkerhetsinnretninger på systemet fungerer feilfritt.

## 9. FEIL

I det følgende kapittelet beskrives mulige årsaker til feil og arbeidet for å rette feilene. Hvis feil oppstår oftere, må vedlikeholdsintervallene forkortes i henhold til den faktiske belastningen. For feil som ikke kan rettes med henvisningene nedenfor, må produsenten kontaktes.

### 9.1. SIKKERHETSHENVISNINGER FOR RETTING AV FEIL

Ved feil må prinsipielt gassforsyningen avbrytes, trykkregulatoren avlastes og ventilen lukkes. Vedlikeholdsarbeid må aldri gjennomføres på komponenter under trykk.

#### TILTAK VED FEIL:

1. Avbryt gassforsyningen og sikre den.
2. Avlast trykkregulatoren, lukk ventilen.
3. Kun kvalifisert personale kan rette feil.
4. Gjenopprett enhetens utgangstilstand.

Beskrivelse	Årsak	Løsning	Ventiler	Flasketrykkregulator	Ledningstrykkregulator	Trykkavlastningsstasjoner
Ingen gjennomstrømning (inngangsmanometeret viser trykk, utgangsmanometeret ikke)	Trykkregulator lukket	Åpne trykkregulator langsomt Lukk spyleventilen		<input checked="" type="checkbox"/>	<input checked="" type="checkbox"/>	<input checked="" type="checkbox"/>
Ingen gjennomstrømning (begge manometrene vise null)	Flaskeventil lukket Bruksgassventil lukket Trykkregulator lukket Spirallinje/slange ikke tilkoblet	Idriftsettelse i henhold til punkt 6. Installasjon og første idriftsettelse		<input checked="" type="checkbox"/>	<input checked="" type="checkbox"/>	<input checked="" type="checkbox"/>
Ingen gjennomstrømning	Trykkregulator lukket	Åpne trykkregulatoren langsomt	<input checked="" type="checkbox"/>			
Økning av mottrykket & utblåsningsventilen åpner	Lekkasje i trykkregulatorsetet	Reparasjon utføres av produsenten		<input checked="" type="checkbox"/>	<input checked="" type="checkbox"/>	<input checked="" type="checkbox"/>
Litt økning av mottrykket & utblåsningsventilen åpner ikke	Trykkfall	Ingen feil, normal driftstilstand		<input checked="" type="checkbox"/>	<input checked="" type="checkbox"/>	<input checked="" type="checkbox"/>

Beskrivelse	Årsak	Løsning	Ventiler	Flasketrykkregulator	Ledningstrykkregulator	Trykkavlastningsstasjoner
Lett økning av mottrykket	Forskjell mellom flytende trykk (med gjennomstrømning) og dynamisk trykk (ingen gjennomstrømning)	Ingen feil, normal driftstilstand		<input checked="" type="checkbox"/>	<input checked="" type="checkbox"/>	<input checked="" type="checkbox"/>
Lett senkning av mottrykket	Forskjell mellom dynamisk trykk (ingen gjennomstrømning) og flytende trykk (med gjennomstrømning)	Ingen feil, normal driftstilstand		<input checked="" type="checkbox"/>	<input checked="" type="checkbox"/>	<input checked="" type="checkbox"/>
Stor senkning av mottrykket	Nødvendig gjennomstrømning for trykkregulatoren er for stort	Velg en ny trykkregulator for det riktige trykket og gjennomstrømningen		<input checked="" type="checkbox"/>	<input checked="" type="checkbox"/>	<input checked="" type="checkbox"/>
Stor senkning av mottrykket	Utett prosessgassledning	Kontroller prosessgassledningen		<input checked="" type="checkbox"/>	<input checked="" type="checkbox"/>	<input checked="" type="checkbox"/>
Utgangstrykk for høyt	Feil regulatorinnstilling	Trykkregulator tilpasse innstillinger, etterregulere, vedlikehold		<input checked="" type="checkbox"/>	<input checked="" type="checkbox"/>	<input checked="" type="checkbox"/>
Mottrykket stiger straks til anslaget eller mottrykket stiger langsomt over den innstilte verdien og utblåsningsventilen blåser ut	Smuss eller skade på setet "krype"	Reparasjon utføres av produsenten		<input checked="" type="checkbox"/>	<input checked="" type="checkbox"/>	<input checked="" type="checkbox"/>
Støy under drift	Nødvendig gjennomstrømning for trykkregulatoren er for stort	Valg av en ny trykkregulator for det riktige trykket og gjennomstrømningen		<input checked="" type="checkbox"/>	<input checked="" type="checkbox"/>	<input checked="" type="checkbox"/>

NO

Beskrivelse	Årsak	Løsning	Ventiler	Flasketrykkregulator	Ledningstrykkregulator	Trykkavlastningsstasjoner
Ingen endring av ventilstyringen til tross for dreining av håndhjulet	Håndhjul defekt på grunn av for stort dreiemoment, spindel defekt, gjenge defekt	Reparasjon utføres av produsenten	☑	☑	☑	☑
Fuktighet på trykkregulatoren (IKKE dugg, regn eller snø)	Trykkregulatoren trekker ut energi fra omgivelsene på grunn av gassavlastning	Ingen feil normal driftstilstand		☑	☑	☑
Isdannelse på trykkregulatoren (IKKE dugg, regn eller snø)	Trykkregulatoren trekker ut energi fra omgivelsene på grunn av gassavlastning, begrenset leveringsytelse fra gasstrykk-tanken f.eks. ved N <sub>2</sub> O, CO <sub>2</sub>	Ingen feil normal driftstilstand OBS: Pass på kontakmanometerets funksjon, øk antall gasstrykk-tanker		☑	☑	☑

Denne tabellen gjør ikke krav på å være fullstendig. Ved spørsmål og uklarheter må du ta kontakt med produsenten.

## 10. DEMONTERING OG AVHENDING

Efter at enheten har nådd slutten av levetiden må den demonteres og avhendes på en miljøriktig måte.

### 10.1. SIKKERHETSHENVISNINGER FOR DEMONTERING OG AVHENDING



#### ADVARSEL!

- **Risiko for personskader ved feil demontering!**
- Lagret restenergi, komponenter med hjørner, spisser og kanter på og i enheten eller på nødvendige verktøy kan forårsake skader.
- Sørg for tilstrekkelig plass før start av arbeidet.
- Håndter komponenter med skarpe kanter med forsiktighet.
- Hold arbeidsplassen alltid ren og i orden.
- Komponenter og verktøy som er løst stablet eller ligger omkring, er kilder til ulykker.
- Demonter komponenter på en fagmessig riktig måte. Ta hensyn til komponentenes delvis høye vekt. Om nødvendig brukes løfteutstyr.
- Sikre komponentene slik at de ikke faller ned eller velter.
- Ta alltid kontakt med produsenten hvis noe er uklart.



## 10.2. DEMONTERING

### FØR START AV DEMONTERINGEN

Lukk trykkregulatoren til det andre trykktrinnet på trykkavlastnings-stasjonen ved å vri håndhjulet mot urviseren.

Avlast og sikre trykkregulatoren på trykkavlastnings-stasjonen slik at ingen prosessgass befinner seg innvendig i trykkavlastnings-stasjonen.

Avlast systemet og spyl med en inert gass om nødvendig.

Avlast stasjonens høytrykkside via spylegassventilen.

Gjennomfør en egengass- eller eksternt gasspyling avhengig av versjonen.

Fjern driftsmaterialer og hjelpematerialer samt gjenværende bearbeidingsmaterialer og deponer dem på en miljøvennlig måte.

Rengjør deretter komponentgruppene og komponentene på en fagmessig riktig måte og ta dem fra hverandre i henhold til gjeldende lokale helse- og sikkerhets- og miljøvernbestemmelser.



### ADVARSEL!

- **Ikke åpne systemet hvis det fortsatt befinner seg giftig og/eller korrosiv gass inne i det.**

## 10.3. DEPONERING

Med mindre det er inngått en retur- eller avhendingsavtale, resirkuleres delene som er tatt fra hverandre:

Metall skrotes.

Plastdeler leveres til resirkulering.

Øvrige metalleder deponeres i henhold til materialegenskapene.

I henhold til artikkel 33 i REACH-forskriften skal selskapet GCE, s.r.o. som ansvarlig produsent, informere alle kunder om materialene inneholder 0,1% eller mer av stoffene som finnes på listen over stoffer som er svært bekymringsfulle (SVHC).

Messinglegeringene som oftest brukes til huset og andre messinglegeringer i messingkomponenter inneholder 2–3 % bly (Pb), EU-nr. 231-468-6, CAS-nr. 7439-92-1. Under normal bruk slippes ikke bly ut i gassen eller miljøet. På slutten av levetiden må produktet avhendes av et autorisert metallgjenvinningsfirma for å sikre at materialet avhendes effektivt med minimal innvirkning på miljøet og menneskenes helse.

Til dags dato har vi ingen opplysninger som tyder på at GCE-produkter inneholder materialer med SVHC-konsentrasjoner over 0,1 %.



### HENVISNING!

- **Fare for miljøet på grunn av feil avhending!**
- Feil avhending kan føre til fare for miljøet.
- La godkjente fagfirmaer deponere elektriskrot, elektronikkomponenter, smøre- og andre hjelpestoffer.
- Hvis du er i tvil, få informasjon om miljøvennlig avhending fra de lokale myndighetene eller firmaer som driver med avhending av spesialavfall.

[www.linde.com](http://www.linde.com)

Denne artikkelen er produsert i oppdrag fra Linde.

## Multi-Language Version



[http://hiq.linde-gas.com/en/specialty\\_equipment/redline\\_instruction\\_for\\_use/index.html](http://hiq.linde-gas.com/en/specialty_equipment/redline_instruction_for_use/index.html)



[www.linde.com](http://www.linde.com)

Doc. Nr.: IFU-MXLHXSS-L-M; DOI: 2022-06-10; Rev.:00