

6-PORT CYLINDER REGULATOR

C12hv | C200hv

BRASS CHROME PLATED AND STAINLESS STEEL |
SINGLE AND DUAL STAGE

INSTRUCTION FOR USE - MULTI LANGUAGE VERSION



EN

DE

FR

HU

ES

DA

PT

NL

PL

CS

FI

SV

IT

NO

IMPORTANT!

Read carefully before use! Keep the manual for future consultation!



6-PORT CYLINDER REGULATOR

C12hv | C200hv - INSTRUCTION FOR USE

BRASS CHROME PLATED AND STAINLESS STEEL | SINGLE AND DUAL STAGE

6-PORT FLASCHENDRUCKREGLER

C12hv | C200hv - GEBRAUCHSANLEITUNG

MESSING VERCHROMT UND EDELSTAHL | EINSTUFIG UND ZWEISTUFIG

RÉGULATEUR DE PRESSION DE BOUTEILLE À 6 PORTS

C12hv | C200hv - MODE D'EMPLOI

LAITON CHROMÉ ET ACIER INOXYDABLE | MONO ET BI-ÉTAGÉ

6-PORTOS PALACKNYOMÁS-SZABÁLYOZÓ

C12hv | C200hv - HASZNÁLATI ÚTMUTATÓ

KRÓMOZOTT SÁRGARÉZ ÉS NEMESACÉL | EGYFOKOZATÚ ÉS KÉTFOKOZATÚ

REGULADOR DE PRESIÓN EN LA BOMBONA DE 6 PUERTOS

C12hv | C200hv - MANUAL DE INSTRUCCIONES

LATÓN CROMADO Y ACERO INOXIDABLE | UNO Y DOS FASES

6-PORT-FLASKETRYKREGULATOR

C12hv | C200hv - BRUGSVEJLEDNING

MESSINGFORKROMET OG RUSTFRI STÅL | ET-TRINS OG TO-TRINS

REGULADOR DE PRESSÃO DE GARRAFAS DE 6 PORTAS

C12hv | C200hv - INSTRUÇÕES DE USO

LATÃO CROMADO E AÇO INOXIDÁVEL | DE UM ESTÁGIO E DE DOIS ESTÁGIOS

6-POORTS FLESDRUKREGELAAR

C12hv | C200hv - GEBRUIKSAANWIJZING

MESSING VERCHROOMD EN ROESTVRIJ STAAL | EENTRAPS EN TWEETRAPS

6-DROGOWEGO REGULATORA CIŚNIENIA W BUTLI

C12hv | C200hv - INSTRUKCJA OBSŁUGI

CHROM MOSIĄDZ I STAL NIERDZEWNA JEDNO-ETAPOWE I DWU-ETAPOWE

LAHVOVÝ REDUKČNÍ VENTIL SE ŠESTI PORTY

C12hv | C200hv - NÁVOD K POUŽITÍ

CHROMOVANÁ MOSAZ A NEREZOVÁ OCEL | JEDNOSTUPŇOVÝ A DVOUSTUPŇOVÝ

6-TEINEN PULLOPAINEENSÄÄDIN

C12hv | C200hv - KÄYTTÖOHJE

KROMIPINNOITETTUA MESSINKIÄ JA RUOSTUMATONTA TERÄSTÄ | YKSI- JA KAKSIVAIHEINEN

6-PORT FLASKREGULATOR

C12hv | C200hv - BRUKSANVISNING

FÖRKROMAD MÄSSING OCH ROSTFRITT STÅL | ENSTEGS OCH TVÅSTEGS

REGOLATORE DI PRESSIONE DELLA BOMBOLA A 6 PORTE

C12hv | C200hv - ISTRUZIONI PER L'USO

OTTONE CROMATO E ACCIAIO INOX | MONOSTADIO E BISTADIO

6-VEIS FLASKETRYKKREGULATOR

C12hv | C200hv - BRUKSANVISNING

FORKROMMET MESSING – RUSTFRITT STÅL | ETT- OG TOTRINNS

EN

DE

FR

HU

ES

DA

PT

NL

PL

CS

FI

SV

IT

NO

IMPORTANT!

Read carefully before use!

Keep the manual for future consultation!

WICHTIG!

Vor Gebrauch sorgfältig lesen!

Bewahren Sie die Gebrauchsanweisung für späteres Nachschlagen auf!

IMPORTANT!

Lire attentivement avant utilisation !

Conservez le mode d'emploi pour vous y référer ultérieurement !

FONTOS!

Használat előtt figyelmesen olvassa el!

Őrizze meg a használati utasítást a későbbi használatához!

¡IMPORTANTE!

¡Leer atentamente antes de usar!

Conserve el manual de instrucciones para futuras consultas.

VIGTIG!

Læses omhyggeligt før brug!

Gem brugsanvisningen til senere brug!

IMPORTANTE!

Ler com atenção antes de usar!

Guarde estas instruções de uso para consultar mais tarde!

BELANGRIJK!

Voor gebruik zorgvuldig lezen!

Bewaar de gebruiksaanwijzing voor toekomstig gebruik!

WAŻNE!

Przeczytać uważnie przed użyciem!

Instrukcję obsługi należy zachować do wykorzystania w przyszłości!

DŮLEŽITÉ!

Před použitím si pečlivě přečtěte!

Ušchovejte návod k použití pro pozdější použití!

TÄRKEÄÄ!

Lue huolellisesti ennen käyttöä!

Säilytä käyttöohje, jotta voi tarkistaa sen tietoja myöhemmin!

VIKTIG!

Läs instruktionerna noggrant innan användning och behåll manualen för framtida bruk!

IMPORTANTE!

Leggere bene prima dell'uso!

Conservate le istruzioni per l'uso per riferimenti futuri!

VIKTIG!

Leses nøye før bruk.

Oppbevar bruksanvisningen slik at den senere kan slås opp i.

CONTENT

- 1. GENERAL4**
 - 1.1. INFORMATION ABOUT THIS INSTRUCTIONS MANUAL4
 - 1.2. INFORMATION ABOUT THIS CYLINDER REGULATOR4
 - 1.3. EXPLANATION OF SYMBOLS5
 - 1.4. LIMITATIONS OF LIABILITY6
 - 1.5. COPYRIGHT6
 - 1.6. SPARE PARTS6
 - 1.7. WARRANTY PROVISION6
 - 1.8. CUSTOMER SERVICE6
- 2. SAFETY 6**
 - 2.1. INTENDED USE6
 - 2.1.1. STRUCTURAL CHANGES AT THE CYLINDER REGULATOR7
 - 2.2. FUNDAMENTAL RISKS7
 - 2.3. OPERATOR'S RESPONSIBILITY8
 - 2.4. PERSONNEL REQUIREMENTS9
 - 2.4.1. QUALIFICATIONS9
 - 2.4.2. UNAUTHORIZED PERSONNEL9
 - 2.4.3. TRAINING9
 - 2.5. PERSONAL PROTECTIVE EQUIPMENT10
 - 2.6. BEHAVIOR IN CASE OF FIRE OR ACCIDENT11
 - 2.7. ENVIRONMENTAL PROTECTION11
 - 2.8. SIGNAGE11
 - 2.8.1. SIGNS THAT GIVE ORDERS11
 - 2.8.2. SIGNS INDICATING BANS11
 - 2.8.3. WARNING SIGNS11
- 3. TECHNICAL SPECIFICATIONS12**
 - 3.1. FLOW SCHEME – SINGLE STAGE VERSIONS12
 - 3.2. FLOW SCHEME – DUAL STAGE VERSIONS14
 - 3.3. FLOW SCHEME – DUAL STAGE VERSIONS15
 - 3.4. GENERAL INFORMATION17
 - 3.5. CONNECTION VALUES17
 - 3.6. PERFORMANCE VALUE17
 - 3.7. OPERATING CONDITIONS17
- 4. SET-UP AND FUNCTION18**
 - 4.1. SET-UP BRASS CHROME PLATED VERSION18
 - 4.2. BRIEF DESCRIPTION18
- 5. TRANSPORT, PACKAGING AND STORAGE19**
 - 5.1. SAFETY INFORMATION FOR TRANSPORTATION19
 - 5.2. TRANSPORT INSPECTION19
 - 5.3. PACKAGING19
 - 5.4. STORAGE19
- 6. INSTALLATION AND INITIAL START-UP20**
 - 6.1. SAFETY NOTES FOR INSTALLATION AND INITIAL START-UP20
 - 6.2. PREPARATION20
 - 6.3. INSTALLATION20
 - 6.3.1. PREPARATION20
 - 6.3.2. CONNECTING OF GAS CYLINDER21
 - 6.4. REQUIRED QUALIFICATIONS FOR INITIAL START-UP AND CYLINDER CHANGING21
 - 6.5. INITIAL START UP22
 - 6.5.1. FILL THE PROCESS GAS TUBING WITH PROCESS GAS22
 - 6.5.2. CYLINDER CHANGE22
 - 6.5.3. TAKING GAS SUPPLY OUT OF OPERATION23
 - 6.6. TESTS23
- 7. OPERATION23**

- 8. MAINTENANCE 23**
 - 8.1. SAFETY NOTES FOR MAINTENANCE..... 23
 - 8.2. MAINTENANCE PLAN 23
 - 8.3. MAINTENANCE WORK 24
 - 8.3.1. CLEANING 24
 - 8.3.2. REQUIREMENTS FOR MAINTENANCE 24
 - 8.3.3. NECESSARY MAINTENANCE..... 24
 - 8.4. MEASURES FOLLOWING MAINTENANCE..... 24
- 9. TROUBLESHOOTING 24**
 - 9.1. SAFETY NOTES FOR TROUBLESHOOTING 24
- 10. DISMANTLING AND DISPOSAL..... 27**
 - 10.1. SAFETY NOTES FOR DISMANTLING AND DISPOSAL 27
 - 10.2. DISMANTLING..... 27
 - 10.3. DISPOSAL..... 27

1. GENERAL

1.1. INFORMATION ABOUT THIS INSTRUCTIONS MANUAL

This instruction is only intended for use with cylinder regulator product type:

- C12hv
- C200hv

Cylinder regulator of this type is suitable to connect to gas cylinder directly and reduce cylinder pressure to lower outlet pressures. The cylinder connections have, due to several directives (DIN 477, CGA, AFNOR, etc.) and due to gas type, different threads. Please note!

This instruction enables you to operate the system safely and efficiently. These instructions form an integral part of the system and must always be kept with the system and within easy reach of staff at all times.

Prior to commencing any work, the staff must read these instructions carefully and understand the contents.

Observance of all the safety information and instructions for operation that are contained in these instructions is essential to ensure work safety.

Local accident prevention regulations and general safety regulations governing the use of the system must also be observed.

Illustrations in these instructions serve to ensure a basic understanding of the system and may differ from the actual version.

1.2. INFORMATION ABOUT THIS CYLINDER REGULATOR

Cylinder Regulators of this type are only suitable for gases defined as standard gas.

The maximum working pressure for C12hv is 12 bar, for C200hv it is 200 bar.

Product Line	(Purity 6.0 brass chrome plated)	(Purity 6.0 stainless steel)
with FKM Relief Valve Seat	<ul style="list-style-type: none"> • Suitable Gases (including their mixtures): <ul style="list-style-type: none"> • High Purity • Inert • Flammable • Oxidizing • Use for O₂ • Not Suitable Gases (including their mixtures): <ul style="list-style-type: none"> • Corrosive • Toxic • CO₂, N₂O 	<ul style="list-style-type: none"> • Suitable Gases (including their mixtures): <ul style="list-style-type: none"> • High Purity • Inert • Flammable • O₂ up to 200 bar • Corrosive (in doubt ask) • Toxic (in doubt ask) • O₂ up to 200 bar • Not Suitable Gases (including their mixtures): <ul style="list-style-type: none"> • O₂ • CO₂, N₂O • NH₃, SO₂, H₂S
with EPDM Relief Valve Seat	<ul style="list-style-type: none"> • Suitable Gases (including their mixtures): <ul style="list-style-type: none"> • High Purity • Inert • Flammable • Oxidizing • Use for CO₂, N₂O • Not Suitable Gases (including their mixtures): <ul style="list-style-type: none"> • Corrosive • Toxic • O₂ (Share greater than 21%) • Hydrocarbons 	<ul style="list-style-type: none"> • Suitable Gases (including their mixtures): <ul style="list-style-type: none"> • High Purity • Inert • Flammable • Oxidizing • Corrosive (in doubt ask) • Toxic (in doubt ask) • Use for CO₂, N₂O • Use for NH₃, SO₂, H₂S • Not Suitable Gases (including their mixtures): <ul style="list-style-type: none"> • O₂ (Share greater than 21%) <ul style="list-style-type: none"> • Hydrocarbons

This table is not exhaustive. For questions and ambiguities please contact manufacturer.

There are single and dual stage cylinder regulator with metal diaphragm and 6 ports.

Created and approved as ISO7291, including oxygen test, (see table chapter 1.2).

This cylinder regulator consists of regulator body, inlet and outlet gauge, cylinder connection and pressure relief valve. It is available with several outlet connections and/ or several additional components:

- Shut off valve at outlet (A)
- Regulating valve at outlet (B)
- Inert gas purge valve at inlet (TP)
- Inert gas purge valve at inlet and shut off valve at outlet (TPA), only with stainless steel version
- Inert gas purge valve at inlet and regulating valve at outlet (TPB), only with stainless steel version

The versions **C200/1 TP**, **C200/1 TPA**, **C200/1 TPB**, **C200/2 TP**, **C200/2 TPA** and **C200/2 TPB** allow purging of regulator with purge gas. These versions are especially suitable for corrosive and toxic gases.

Cylinder regulator with triple purge block enables the drying of the regulator and the removing of moist atmospheric air, which came inside the regulator before initial startup or at gas cylinder. The triple purge block version and the purge valve version enables also the purging of the regulator to clean it from toxic, corrosive or self-igniting gases before taking out of operation.

1.3. EXPLANATION OF SYMBOLS

SAFETY INFORMATION	Safety information is highlighted by symbols in these instructions. This safety information is preceded by signal words that define the extent of risk.
	DANGER! This combination of symbol and signal word indicates an immediately dangerous situation that will cause death or severe injury if not avoided.
	WARNING! This combination of symbol and signal word indicates a possibly dangerous situation that can cause death or severe injury if not avoided.
	BEWARE! This combination of symbol and signal word indicates a possibly dangerous situation that can cause minor injury if not avoided.
	NOTE! This combination of symbol and signal word indicates a possibly dangerous situation that can cause property and environmental damage if not avoided.
	TIPS AND RECOMMENDATIONS This symbol highlights useful tips and recommendations, together with help for ensuring efficient and trouble-free operation.
SPECIAL SAFETY INFORMATION	The following symbols are used in the safety information to draw your attention to particular risks.
	DANGER! This combination of symbol and signal word indicates an immediately dangerous situation involving electrical current. Ignoring such a warning could result in severe or fatal injuries.

1.4. LIMITATIONS OF LIABILITY

All of the information and notes in these instructions have been compiled in accordance with applicable standards and regulations. They reflect best engineering practice and our years of experience.

The manufacturer accepts no liability for damages in the following instances:

- Failure to observe these instructions
- Utilization of the system for any other than the intended purpose
- Operation by untrained staff
- Unauthorized modifications
- Technical modifications
- Use of unlicensed spare parts
- Working with the gas supply panel when any safety device is broken or not functional mounted or safety devices don't work correctly
- Improper control of components, connections and gaskets, which are wearing parts.
- Incorrect reparations
- Violation of temperature limits, which are dedicated in the datasheet during operation or storage
- In case of disaster or force majeure

The actual scope of supply may differ from the explanations and illustrations in these instructions following the incorporation of new technical changes. The obligations stipulated in the supply agreement, our general terms and conditions of business, the manufacturer's terms and conditions of supply and the statutory regulations in force at the time of contract conclusion apply.

1.5. COPYRIGHT

The contents of these instructions are protected by copyright. They may be used in connection with the operation of the system. Any other use above and beyond the aforementioned is only permitted with the written consent of the manufacturer.

1.6. SPARE PARTS



WARNING!

- Risk of injury from using incorrect spare parts!
- The use of incorrect or defective spare parts can result in risks for the operating staff and in damages, malfunctions or total failure of the system.
- Only use original spare parts from the manufacturer or spare parts authorized by the manufacturer.
- Always consult the manufacturer if in doubt.



LOSS OF WARRANTY

- The manufacturer's warranty lapses if unauthorized spare parts are used.

1.7. WARRANTY PROVISION

In principle, our "General Terms and Conditions of Sale and Delivery" shall apply. These are available to the customer at the latest since the conclusion of the contract.

1.8. CUSTOMER SERVICE

Please do not hesitate to provide us with information and experiences gained through use; we welcome any valuable input that will help to improve our products.

2. SAFETY

This section provides an overview of all the important safety aspects to ensure the protection of your staff and the safe and trouble-free operation of the equipment. Further safety information relating to specific tasks can be found in the sections on the individual life cycle phases.

2.1. INTENDED USE

The cylinder regulator C12hv and C200hv are only usable for the defined standard gases and pressures observing the given temperature range. The nominal flow is 20 m³/h (Air). Intended use also includes compliance with all the information in these instructions and compliance with reparation, maintenance working, type label and data sheets. Any use other than, or above and beyond, the intended use constitutes improper use.

**WARNING!**

- ***Danger from improper use!***
- Improper use of the system can lead to dangerous situations.
- Never use the cylinder regulator with liquid fluids.
- Never use the cylinder regulator as a flow control element or as a shut-off valve

2.1.1. STRUCTURAL CHANGES AT THE CYLINDER REGULATOR

Without written approval of manufacturer no extensions, additions or alternations are allowed on the cylinder regulator.

Cylinder regulators that are not in perfect condition must be replaced immediately

Cleaning of cylinder regulator and disposal of residues

Used components which are ready for reparation has to be purged with an inert gas (nitrogen) before.

Noise Generation

In some cases when specific influence quantities collaborate together, e.g. flow and pressure range can cause noise generation or the gas itself. If this happens please contact manufacturer.

2.2. FUNDAMENTAL RISKS

The following section addresses the residual risks that may arise, even if the system is used properly.

Observance of the safety information included below and in other sections of these instructions is mandatory in order to reduce the risk of injury and property damage and to avoid dangerous situations.

**DANGER!**

- ***Gases can be life threatening!***
- Gases can supersede the oxygen in air. This can result in death by asphyxiation. Oxygen produces a strongly oxidizing effect.

THEREFORE:

- Sufficient ventilation is absolutely essential.
- Installation only through certified company.
- Observe ATEX directive

**ATTENTION!**

- ***Risk of injury from environment!***
There can be malfunctions on component due to condensation and/ or icing.

THEREFORE:

- Observe suitable temperatures.
- Protect component from liquids from outside
- Protect component from dust from outside
- Protect component from weather conditions
- Grounding has to be mounted properly

**WARNING!**

- ***Risk of injury from using oil and grease!***
- Oil and grease must never be used in gas regulating systems. Oil and grease are highly inflammatory and can react violently to certain pressurized gases.

THEREFORE:

- Never use oil and grease

**WARNING!**

- ***Risk of injury from residual energy stored in the system!***
If handled incorrectly, pressurized components can move uncontrollably and cause severe injury. If handled incorrectly or defective, pressurized components can leak gas under high pressure and cause severe or even fatal injuries.

BEFORE STARTING WORK WITH THESE COMPONENTS:

- Installation only through certified company.
- Always wear protective goggles when working.
- Always wear ear protection.
- Make sure the equipment is depressurized. Also make sure the residual energy is discharged.
- Always ensure that gas cannot leak unintentionally.
- Make sure that defective components that are pressurized during operation are immediately replaced by trained staff.

**WARNING!**

- **Danger of accident!**

Due to wrong installation there can be serious or even mortal injuries.

THEREFORE:

- During installation the component should be kept safe
- Never throw the component

Pressurised components are only for intended use.

If there are mechanical damages at tubing or components the whole system has to be put in a safe condition. Affected area has to be blocked. Troubles which could influence safety, have to be eliminated through qualified staff or supplier.

Especially with gases failure in pressure regulator could happen. Indications for defective regulator is no flow or immediately rising outlet pressure. In this case system has to be shut-off and the relevant department for maintenance has to be informed. Never close exhaust piping.

2.3. OPERATOR'S RESPONSIBILITY

OPERATOR

The operator is the person who operates the system for commercial or business purposes or who provides the system for use/application by a third party, and who bears legal product responsibility for protecting the user, staff or third parties during operation.

OPERATOR'S DUTIES

The system is used for commercial purposes. The operator of the system is therefore subject to legal work safety obligations.

Compliance with the safety, accident prevention and environmental protection regulations that apply for the use of the system is mandatory, in addition to the safety information in these instructions.

THE FOLLOWING APPLIES IN PARTICULAR:

- The operator must be aware of the applicable work safety regulations and must perform a risk assessment to identify risks that may occur as a result of the specific working conditions at the site where the system is operated. The operator must use this assessment as the basis for compiling instructions for operating the system.
- During the entire period in which the system is operated, the operator must ensure that these operating instructions comply with the latest regulations, and must update the instructions if necessary.
- The operator must assign clear and specific responsibility for installation, operation, troubleshooting, maintenance and cleaning.
- The operator must ensure that all members of staff who work with the system have read and understood these instructions. The operator must also ensure that these members of staff are trained at regular intervals and are aware of the risks.
- The operator must provide the staff with the requisite protective equipment and bindingly obligate the staff to wear the necessary protective equipment.

In addition, the operator is responsible for ensuring full technical reliability of the system at all times.

AS SUCH, THE FOLLOWING APPLIES:

- The operator must ensure compliance with the maintenance intervals specified in these instructions.
- The operator must ensure that all safety equipment is regularly inspected for functional reliability and completeness.

2.4. PERSONNEL REQUIREMENTS

2.4.1. QUALIFICATIONS

The various tasks described in these instructions constitute differing requirements in respect of the qualifications of the staff charged with performing these tasks.



WARNING!

- ***Danger if staff is insufficiently qualified!***
- Insufficiently qualified staff is not able to assess the risks associated with the system and expose both themselves and others to the risk of severe or fatal injury.
- Ensure that all works are only performed by staff qualified for the specific task.
- Keep insufficiently qualified people out of the work area.

The works must always be assigned only to individuals who can be trusted to perform the works reliably. People with impaired reactions, e.g. as a result of drugs, alcohol or medication, must not be allowed to perform works.

These instructions define the qualifications below that are necessary for the respective tasks:

GAS ENGINEER:

Have a professional training, skills and experience and the knowledge of the pertinent standards and regulations to perform works on gas systems and to identify potential hazards. Gas engineers are trained specifically for the site where they work and are familiar with all relevant standards and regulations.

TECHNICIAN

Have the professional training, skills and experience and the knowledge of the pertinent standards and regulations to perform the assigned works and to identify and avoid potential hazards.

2.4.2. UNAUTHORIZED PERSONNEL



WARNING!

- ***Risks associated with unauthorized personnel in the hazard and work areas can be life threatening!***
- Unauthorized individuals without the qualifications described in this section are not familiar with the risks in the work area. As such, they are in danger of severe or even fatal injury.
- Keep unauthorized personnel away from the hazard and work area.
- If in doubt, approach individuals and instruct them to leave the hazard and work area.
- Stop any work while unauthorized individuals are in the hazard and work area.

2.4.3. TRAINING

The owner must train the staff at regular intervals. A training log must be maintained for purposes of better tracking and must contain the following information, at least:

- Date of training
- Names of trained staff
- Contents of the training session
- Name of trainer
- Signatures of the staff members in training and of the trainer

2.5. PERSONAL PROTECTIVE EQUIPMENT

Personal protective equipment protects staff from safety and health hazards while working.

Various tasks on and associated with, the system necessitate the use of personal protective equipment, which is described in more detail in the individual sections of these instructions.



BREATHING APPARATUS

To protect against harmful gases, vapors, dust and similar materials and media. Breathing apparatus (e.g. compressed air respirator) must be used when an oxygen content of at least 17% in the ambient air is not guaranteed or when the limit of a hazardous substance in the ambient air is exceeded more than 100-fold. Breathing apparatus may only be worn by people who have been specially trained in the use.



BREATHING APPARATUS, DEPENDENT ON AIR CIRCULATION

To protect against harmful gases, vapors, dust and similar materials and media. Breathing apparatus must be worn if a permissible limit is exceeded 100-fold. The breathing apparatus may only be used when the oxygen content in the ambient air measures at least 17%.



PROTECTIVE GOGGLES

To protect the eyes against airborne parts and splashes of liquid.



CHEMICAL-RESISTANT GLOVES

To protect the hands from aggressive substances. Make sure the protective gloves are leak-proof before wear. Dispose the gloves professionally after use.



PROTECTIVE GLOVES

To protect the hands against abrasion, scrapes, pricks or deeper injuries and contact with hot or cold surfaces.



EAR PROTECTION

To protect the ears from noise and prevent acoustic trauma.

2.6. BEHAVIOR IN CASE OF FIRE OR ACCIDENT

PREVENTIVE MEASURE

- Always be prepared for fires and accidents!
- Always keep first aid equipment (kit, blankets, etc.) and fire extinguishing equipment in working order and close to hand.
- Familiarize the staff with accident reporting, first aid and emergency procedures.
- Keep the access routes free for emergency service vehicles.

MEASURES IN THE EVENT OF FIRE OR ACCIDENT

- If there is no risk to your own safety, remove people from the danger zone.
- Administer first aid if necessary.
- Notify the fire brigade and/or emergency service.
- In the event of fire: If there is no risk to your own safety, use fire extinguishing equipment to fight the fire until the fire brigade arrives.
- Inform the person responsible at the location.
- Make sure the access routes are free for emergency service vehicles.
- Direct the emergency service vehicles.

2.7. ENVIRONMENTAL PROTECTION



NOTE!

- ***Risk of environmental pollution from incorrect handling of environmentally hazardous substances!***
- The environment can suffer substantial damage if environmentally hazardous substances are handled, and especially disposed of, incorrectly.
- Always observe the information below on handling environmentally hazardous substances and their disposal.
- Take immediate measures if environmentally hazardous substances are accidentally released into the environment. If in doubt, notify the responsible local authorities about the damage and enquire about the suitable measures to be taken.

2.8. SIGNAGE



WARNING!

- ***Danger from illegible signs!***
- Labels and signs can gather dirt or become otherwise illegible over time, thus preventing the recognition of risks and compliance with the requisite operating information. This could result in injury.
- Make sure all safety, warning and operation information is legible at all times.
- Immediately replace any damaged signs or labels.

2.8.1. SIGNS THAT GIVE ORDERS

- No signs

2.8.2. SIGNS INDICATING BANS

- No signs

2.8.3. WARNING SIGNS



GAS BOTTLES HAZARD



EXPLOSION - HAZARDOUS
AREA



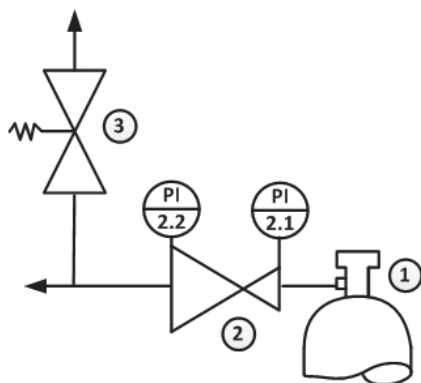
WARNING OF TOXIC AND/OR
CORROSIVE SUBSTANCES

3. TECHNICAL SPECIFICATIONS

EN

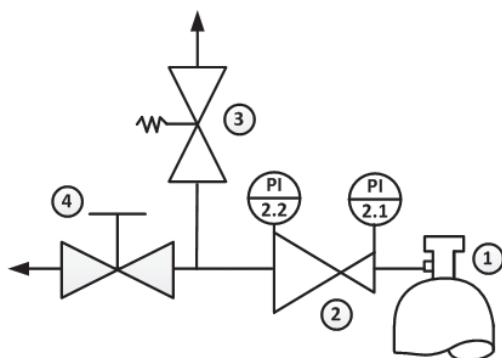
3.1. FLOW SCHEME – SINGLE STAGE VERSIONS

C12HV/1



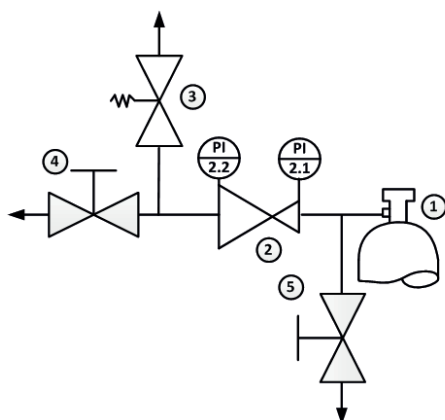
- 1 – GAS CYLINDER
- 2 – PRESSURE REGULATOR
- 3 – RELIEF VALVE

C12HV/1 A



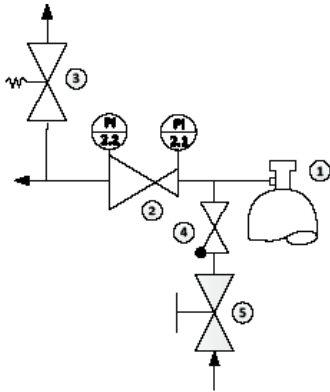
- 1 – GAS CYLINDER
- 2 – PRESSURE REGULATOR
- 3 – RELIEF VALVE
- 4 – SHUT-OFF VALVE

C12HV/1 B



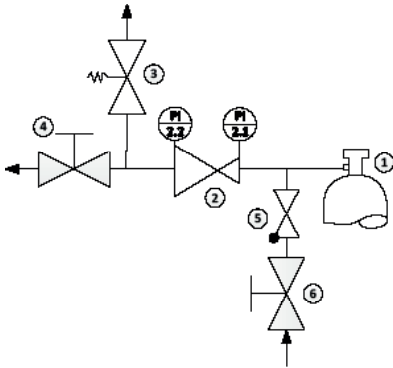
- 1 – GAS CYLINDER
- 2 – PRESSURE REGULATOR
- 3 – RELIEF VALVE
- 4 – REGULATING VALVE
- 5 – PURGE VALVE

C12HV/1 TP



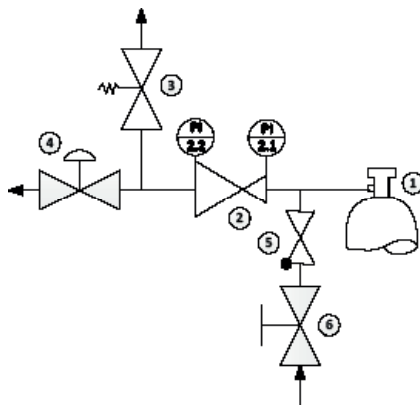
- 1 – GAS CYLINDER
- 2 – PRESSURE REGULATOR
- 3 – RELIEF VALVE
- 4 – CHECK VALVE
- 5 – INERT GAS PURGE VALVE

C12HV/ TPA



- 1 – GAS CYLINDER
- 2 – PRESSURE REGULATOR
- 3 – RELIEF VALVE
- 4 – SHUT-OFF VALVE
- 5 – CHECK VALVE
- 6 – INERT GAS PURGE VALVE

C12HV/1 TPB

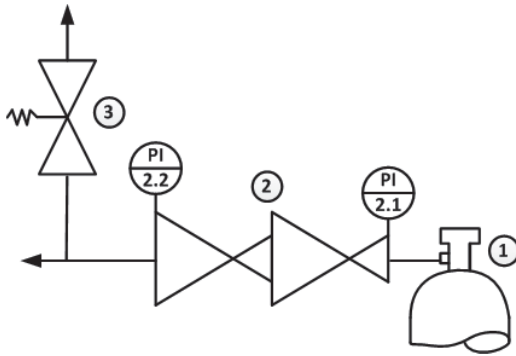


- 1 – GAS CYLINDER
- 2 – PRESSURE REGULATOR
- 3 – RELIEF VALVE
- 4 – REGULATING VALVE
- 5 – CHECK VALVE
- 6 – INERT GAS PURGE VALVE

3.2. FLOW SCHEME – DUAL STAGE VERSIONS

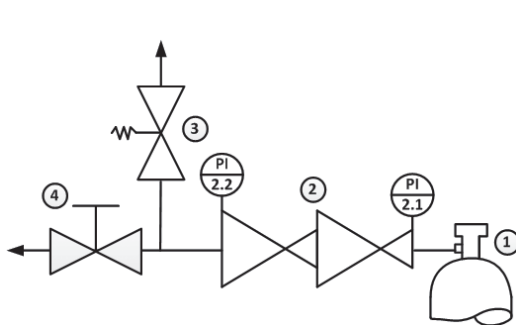
EN

C200HV/2



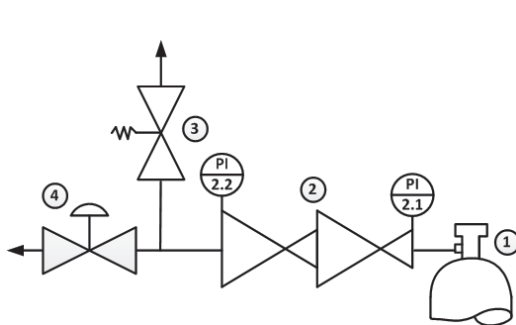
- 1 – GAS CYLINDER
- 2 – PRESSURE REGULATOR
- 3 – RELIEF VALVE

C200HV/2 A



- 1 – GAS CYLINDER
- 2 – PRESSURE REGULATOR
- 3 – RELIEF VALVE
- 4 – SHUT-OFF VALVE

C200HV/2 B

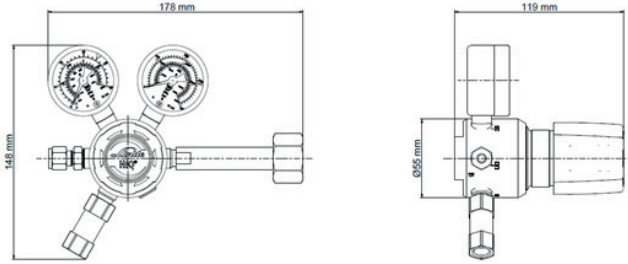


- 1 – GAS CYLINDER
- 2 – PRESSURE REGULATOR
- 3 – RELIEF VALVE
- 4 – REGULATING VALVE

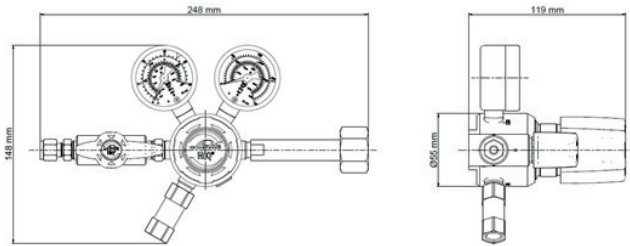
3.3. DIMENSIONS SHEET – DUAL STAGE VERSIONS

SINGLE STAGE

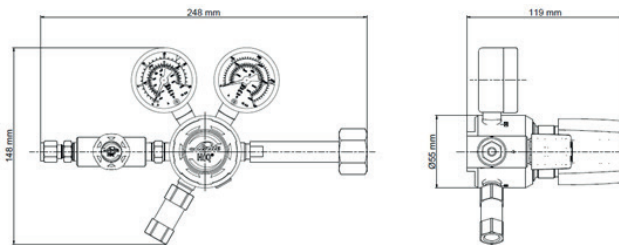
EN



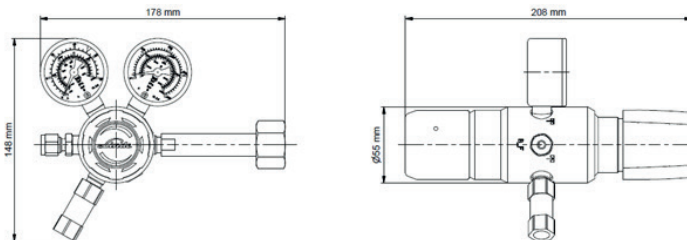
VERSION A | SINGLE STAGE



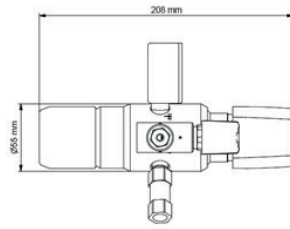
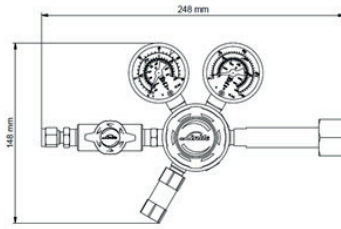
VERSION B | SINGLE STAGE



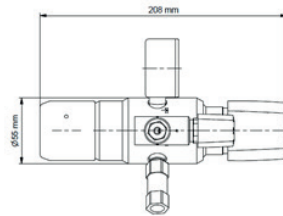
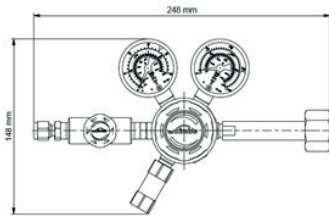
DUAL STAGE



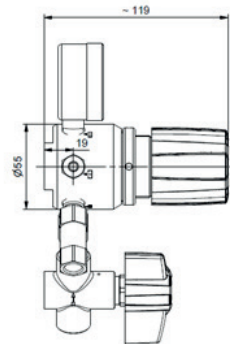
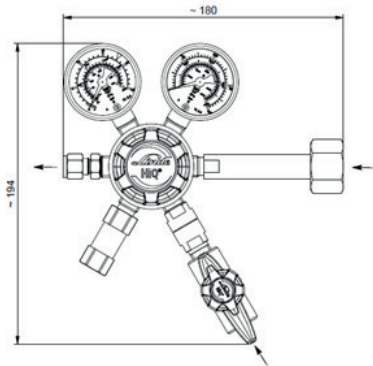
VERSION A | DUAL STAGE



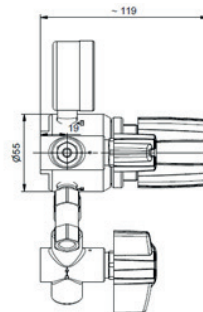
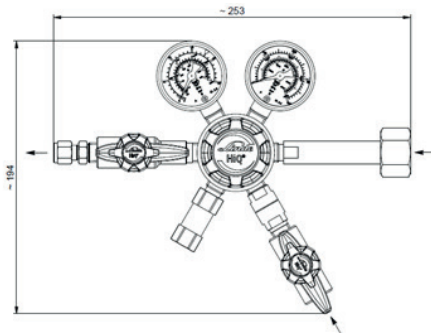
VERSION B | DUAL STAGE

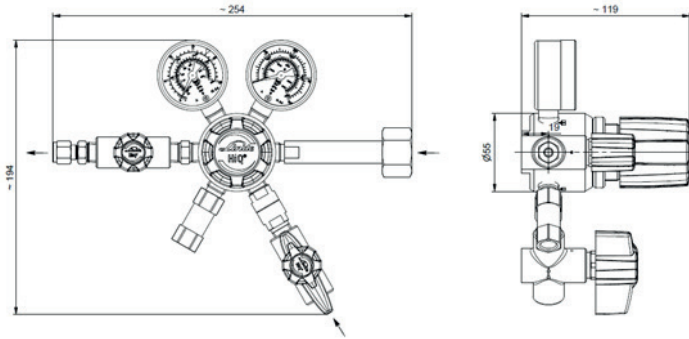


VERSION TP | SINGLE STAGE



VERSION TPA | SINGLE STAGE





3.4. GENERAL INFORMATION

Information	Single Stage Brass Chrome Plated	Dual Stage Brass Chrome Plated	Single Stage Stainless Steel	Dual Stage Stainless Steel
max. Weight [kg]	2,5	3,3	4,04	4,93
Length [mm]	223	223	263	263
Depth [mm]	114	202	114	202
Height [mm]	168	168	168	168

3.5. CONNECTION VALUES

Information	Value	Unit
Inlet	DIN477 AFNOR BS CGA Etc.	Cylinder connection
Outlet	1/8", 1/4", 3/8", 1/2" 3, 6, 8, 10, 12 4,8; 6,4; 8,0	Fitting inch Fitting mm Hose nozzle (max. 15 bar)
Relief valve	1/4"	Fitting inch

3.6. PERFORMANCE VALUE

Information	Value	Unit
Nominal flow (ISO 2503)	20 (Air)	m ³ /h
Inlet pressure (max.)	C12hv - 12 bar C200hv - 200 bar	bar
Outlet pressure (max.)	200 (depends on configuration)	bar

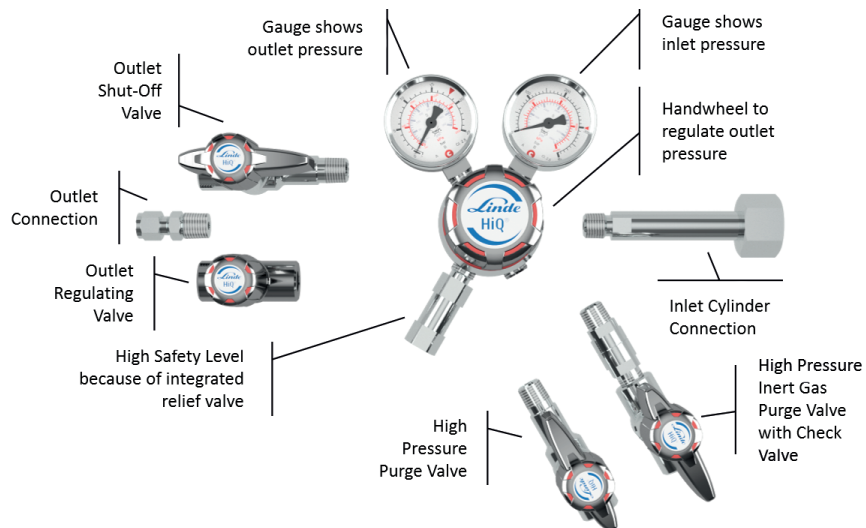
3.7. OPERATING CONDITIONS

Information	Value	Unit
Temperature range	-20 till +60	°C
Relative humidity (max.)	98	%

4. SET-UP AND FUNCTION

EN

4.1. SET-UP BRASS CHROME PLATED VERSION



4.2. BRIEF DESCRIPTION

The operation of cylinder regulator works manual with the handwheel. The inlet and outlet pressure are displayed on the inlet and outlet pressure gauge. Different components could be additional for handling:

- Shut-off valve at outlet to shut off outlet pressure.
- Regulating valve at outlet to regulate outlet pressure.
- Inert Gas Purge Valve with Check Valve at the inlet.

5. TRANSPORT, PACKAGING AND STORAGE



TIPS AND RECOMMENDATIONS!

- The installation and start-up of this cylinder regulator is normally done by the manufacturer or by authorized personnel.
- Even though there can be some users or maintenance personnel who care about the packaging. The following notes should be observed accordingly.

5.1. SAFETY INFORMATION FOR TRANSPORTATION



NOTE!

- **Damages caused by inappropriate transportation!**
- If transported inappropriately, consignments can fall or topple over. This can cause considerable property damage.
- When unloading the consignments on delivery and transporting them on the premises, act with caution and observe the symbols and warnings on the packaging.
- Use only the attachment points provided.
- Do not remove the packaging until you are ready to assemble the regulator.

5.2. TRANSPORT INSPECTION

Upon delivery, check immediately that the consignment is complete and has not been damaged during transit. Procedure on detection of visible transport damage:

- Refuse acceptance of the delivery or only accept subject to reservation
- Record the extent of the damage on the transportation documentation or on the forwarder's delivery note
- File a complaint



TIPS AND RECOMMENDATIONS!

- Report each and every defect as soon as you discover it. Claims for damages can only be asserted within the specified periods.

5.3. PACKAGING

The individual consignments are packed according to the anticipated transport conditions. Without exception all packaging is made of environmentally friendly material.

The packaging is intended to protect the individual components against transport damage, corrosion and other damage until they are ready for installation. Do not, therefore, destroy the packaging; only remove it when assembly is imminent.



NOTE!

- **Risk of environmental harm through incorrect disposal!**
- Packaging materials are valuable raw materials. In many cases they can be re-used or recycled. Incorrect disposal of packaging materials can harm the environment.
- Dispose of packaging materials in an environmentally compatible manner.
- Observe locally applicable disposal regulations. If necessary, commission a specialist disposal firm.

5.4. STORAGE

Store the packages in the following conditions:

- Do not store outdoors
- Store in a dry and dust-free location
- Do not expose to aggressive media
- Protect from sunlight radiation
- Avoid mechanical jolts
- Storage temperature: 15 to 35 °C
- Relative humidity: max. 60 %
- If storing for longer than 3 months, regularly inspect the general condition of all parts and the packaging. If necessary re-apply or renew the rust-proofing

**TIPS AND RECOMMENDATIONS!**

- Some packages may bear labels with storage information that extends beyond these requirements. These notes should be observed accordingly.

6. INSTALLATION AND INITIAL START-UP

6.1. SAFETY NOTES FOR INSTALLATION AND INITIAL START-UP

STAFF

Installation and initial start-up of the system may only be performed by qualified staff.

6.2. PREPARATION

UNPACKING

- The system components should be removed from their packaging carefully and prudently.
- Additional protective packaging should also be removed.
- Check all components of damages from transport

DEPRESSURIZE

- Depressurize components and purge with inert gas if necessary
- Cut tubing with special tool; avoid contaminations (dirt, cuttings, etc.)
- Check perfect condition of components and purity of connections

6.3. INSTALLATION

Only use pressure regulators with cylinder connection according to the several gases and the national and international directives (DIN477, CGA, AFNOR, etc.).

DANGER!!

- Thread of cylinder valve and swivel nut must be in perfect condition.

**WARNING!!**

- Always use new gasket. Gasket must be in perfect condition without deformation, dirt or metal particles.
- The use of several gaskets at one sealing point is not permitted. Used seals must be removed.

**WARNING!!**

- Don't use wrench extensions, thread and gasket could be damaged.
- Leads to leakage, uncontrollable gas discharge or complete discharge of gas. ermitted.
- Used seals must be removed.

**WARNING!!**

- During connecting or changing gas cylinders with toxic or corrosive gas consider personal safety provisions (breathing protection, eye protection, protective clothes).
- Consider MAK-values (see technical rules for hazardous material, TRGS 900), choose correct respirator filter. Use only cylinder regulator with external gas purging.

**BE AWARE!!**

- Before connecting the cylinder regulator check type label, if the component is suitable for provided purpose.

6.3.1. PREPARATION

It is only allowed to use cylinder regulators with cylinder connections according to the respective standards (DIN477, CGA, AFNOR, etc.) corresponding to the used gas-type.

6.3.2. CONNECTING OF GAS CYLINDER

Insert the seal corresponding to the respective cylinder connection and the type of gas.

First connect swivel nut with hand at cylinder valve.

Consider right and left thread!

Fix the regulator to cylinder valve, don't tilt.

Tighten the swivel nut with wrench.

Attention, don't use wrench extension, thread and gasket could be damaged. This would lead to leakage, uncontrollable gas discharge or complete discharge of gas.

If cylinder connection has hand connection, screw the swivel nut hand tight. Doesn't use wrench on hand connection, handle could be damaged.



In most cases the tubing of cylinder regulator is mounted with compression fittings. First remove the plastic caps from inlet and outlet. The piping has to be inserted completely into the compression fitting. Then screw the nut hand tight. After that screw with a jaw spanner 1 ¼ turns tight (first installation 1 ¼ turns for tubes bigger than 1/8 inch and 3/4 turns for 1/8 inch and smaller tubes, retightening 1/4 for all tubes). Connect the relief tubing the same way.

The relief tubing is mounted the same way to the relief valve. Consider the directions of manufacturers regarding the suitability of material for several gases and pressures.

The cylinder regulator is available with hose nozzle when maximum pressure is 15 bar. Due to conical form of the nozzle the hose easily fits.

Type TP, TPA, TPB, with inert gas purge valve

Cylinder regulator with inert gas purge valve (TP, TPA, TPB) must be equipped with an additional tubing at inert gas purge valve inlet, as described above.

6.4. REQUIRED QUALIFICATIONS FOR INITIAL START-UP AND CYLINDER CHANGING

- The test protocols from the piping according to tightness and if necessary moisture and particles are available
- Process gas tubes, vent piping and purge gas tubing, safety valve and check valve tubing if existent is connected
- In process gas tubing is only standard gas (see 1.2)
- The start-up is only realized by qualified personal
- Wear safety clothes according to regulations
- Use spark-free tools and provide before installation
- Before first start-up check type label, if the cylinder regulator is suitable for the provided purpose (gas, pressure, material, etc.)

6.5. INITIAL START UP

- All requirements are fulfilled as on point 6.4
- Cylinder regulator is depressurized, handwheel turned completely to left side
- When using corrosive and/or toxic gases with stainless steel cylinder regulator version **TP, TPA, TPB**, external gas purging needs to take place before initial startup (see point 6.5.2).



WARNING!

- Make sure the cylinder regulator is not exposed to pressure levels that exceed their respective permissible nominal pressure.
- It is recommended to check the cylinder regulator and the pressures daily.

6.5.1. FILL THE PROCESS GAS TUBING WITH PROCESS GAS

Adjust pressure with handwheel turning clockwise. Cylinder Regulator is now in operation. It is recommended to check the cylinder regulator and the pressures daily.

6.5.2. CYLINDER CHANGE

When using corrosive and/or toxic gases with stainless steel cylinder regulator version **TP, TPA, TPB**, external gas purging needs to take place before cylinder change.



NOTE!

For external purge gas use dry, clean gas. We recommend using purge gas with a quality according to your application.



WARNING!

- During changing gas cylinders with toxic or corrosive gas consider personal safety provisions (breathing protection, eye protection, protective clothes).
- Consider MAK-values (see technical rules for hazardous material, TRGS 900), choose correct respirator filter.



DANGER!

- If the cylinder regulator is used with toxic and/ or corrosive gases, the component have to be purged with inert purge gas (external gas purging with triple purge block). Therewith dangerous rest gas is removed through purge gas tubing.

PREPARATION

1. Close cylinder valve
2. Empty pressure regulator, inlet and outlet gauge have to show „0“
3. Turn handwheel of pressure regulator anti clockwise all the way to stop, pressure regulator is closed
4. Close outlet shut off or regulating valve, if existent
5. Process Gas Purging or Discharge Process for the following version: **TP, TPA, TPB**

EXTERNAL GAS PURGING

Purge process cylinder regulator with Inert gas Purge Valve at Inlet (TP, TPA, TPB)

A Check, if purge gas inlet and process gas inlet are mounted properly.

B Close all valves.

C Close pressure regulator by turning the handwheel anti clockwise.

D Open inert gas purge valve.

E Close inert gas purge valve.

F Open pressure regulator and outlet shut-off or regulating valve for very short time to release purge gas through pressure regulator outlet.

G Close pressure regulator and outlet shut-off or regulating valve.

Repeat point D-G 10 times for optimal result.

Repeat point D-G 10 times for optimal result.

6. Release swivel nut at gas cylinder with wrench. When cylinder connection has hand connection, release swivel nut by hand.
7. Connect new cylinder as described in point 6.3.1.

6.5.3. TAKING GAS SUPPLY OUT OF OPERATION

When using corrosive and/ or toxic gases with stainless steel cylinder regulator version **TP, TPA, TPB**, external gas purging needs to take place before cylinder change.



BEWARE!

- Consider in general when dismantling: Depressurize pressure regulator and tubing through consumer. Inlet gauge have to show „0“.
 - Purge with inert gas, when corrosive and / or toxic gas is used.
 - Consider personal safety provisions (breathing protection, eye protection, protective clothes).
 - Consider MAK-values (see technical rules for hazardous material, TRGS 900), choose correct respirator filter.
1. Close cylinder valve
 2. Depressurize pressure regulator, inlet gauge have to show “0”
 3. Turn handwheel of pressure regulator anti clockwise all the way to stop
 4. Close outlet shut-off valve, if existent
 5. Purge or discharge process for the following version :**TP, TPA, TPB** (see point 6.5.2)
 - Close pressure regulator by turning the handwheel anti clockwise all the way to stop.
 - Depressurize tubing system!
 - Cylinder regulator is now out of operation. Now reparation and/ or maintenance work could be done.

6.6. TESTS

- After pressurizing the complete function of cylinder regulator should be tested
- Check relief valve

7. OPERATION

In reference to chapter 2.1 the operation of the cylinder regulator is defined.



BEWARE!

- Cylinder regulators must always be opened slowly and carefully to prevent pressure surges in the system and damage to the other components!

For a brief interruption of gas removal it is sufficient to close the shut off or regulating valve on the regulator. For a longer interruption the regulator must be released from pressure by turning the handwheel anti clockwise. Close the cylinder valve as a safety precaution.

8. MAINTENANCE

8.1. SAFETY NOTES FOR MAINTENANCE



NOTE!

- Maintenance may only be performed by sufficiently qualified, trained and authorized individuals (see section 2.4)

8.2. MAINTENANCE PLAN

The following sections describe the maintenance works that must be performed to ensure the optimum and trouble-free operation of the regulator.

If regular inspections reveal increased wear, the requisite maintenance intervals must be shortened to reflect the actual wear and tear.



NOTE!

- Please contact the manufacturer if you have any questions relating to maintenance works and intervals.

Interval	Maintenance work	Personal
Weekly	Check all components visually	Competent Person (TRBS 1203)
Every year	Checking function & tightness, check for all safety relevant components	Competent Person (TRBS 1203)
Every 10 years	General overhaul and replacement of all wearing parts	Competent Person (TRBS 1203)

8.3. MAINTENANCE WORK

8.3.1. CLEANING



NOTE!

- All cleaning agents must be compatible with the materials of the installed component.

8.3.2. REQUIREMENTS FOR MAINTENANCE

CHECK BEFORE MAINTENANCE START, IF:

- Gas supply is disconnected and safe
- Manifold is depressurized
- Pressure regulator is depressurized
- Valves are closed
- No process gas inside component.
- System is purged and filled with inert gas.

8.3.3. NECESSARY MAINTENANCE

- Check accuracy of pressure gauges
- Manifold, pressure regulator, valve and gauges: check condition, function and labeling
- Check labelling
- Check for corrosion
- Check function
- Pressure test with 1-times working pressure for 12 hours
- Worn and defective components must be changed immediately from authorized qualified company
- Valve is designed according to ISO 10297, including type test with cycle test from up to 2000 cycles. Change inner parts after 2000 cycles, change must be done from authorized qualified company
- If there are any leakages or too much corrosion at the manifold/ pressure regulator or valve, component must be replaced with all connections by an authorized company
- After the changing of components or tubes, pressure and leakage test must be done again and be protocolled

8.4. MEASURES FOLLOWING MAINTENANCE

THE FOLLOWING STEPS MUST BE PERFORMED WHEN THE MAINTENANCE WORKS HAVE BEEN COMPLETED AND BEFORE SWITCHING ON THE SYSTEM:

1. Make sure that all tools, materials and other equipment have been removed from work area.
2. Clean the work area and remove any spilled substances, e.g. liquids, processing material or similar.
3. Make sure that safety relevant components are working perfect.

9. TROUBLESHOOTING

The following section describes possible causes of malfunction and how to eliminate them. If malfunctions occur with increasing regularity, shorten the maintenance intervals to reflect the actual load. If malfunctions occur that cannot be eliminated with the following help, please contact the manufacturer.

9.1. SAFETY NOTES FOR TROUBLESHOOTING

In any case of malfunction, the shut-off valves of the connected gas cylinder, gas container or bundle must be closed. Never operate devices with malfunctions under pressure.

WHAT TO DO IN CASE OF MALFUNCTION:

1. Interrupt and ensure gas supply.
2. Depressurize pressure regulators and close valves.
3. Only trained technical staff may eliminate malfunctions.
4. Restore component to its original state.

Description	Reason	Solution	Valve	Cylinder Regulator	Line Regulator	Gas Supply Panel
No Flow (Inlet Gauge shows pressure, outlet gauge not)	Pressure Regulator is closed	Open pressure regulator slowly Close purge valve		☑	☑	☑
No Flow (Inlet and Outlet Gauge show „0“)	Cylinder Valve closed Processgas Valve closed Pressure Regulator closed Cylinder coil/ hose not connected	Initial Start- Up see point 6 Installation and initial start-up		☑	☑	☑
No Flow	Handwheel closed	Open handwheel slowly	☑			
Increase of outlet pressure & relief valve opens	Leakage in pressure regulator seat	Repair by manufacturer		☑	☑	☑
Slight increase of outlet pressure & relief valve does not open	Inlet pressure drop	No failure, normal operating state		☑	☑	☑
Slight increase of outlet pressure	Difference between flow pressure (with gas flow) and Zero Pressure (without gas flow)	No failure, normal operating state		☑	☑	☑
Slight drop of outlet pressure	Difference between flow pressure (with gas flow) and Zero Pressure (without gas flow)	No failure, normal operating state		☑	☑	☑
Heavy drop of outlet pressure	Required flow to high for pressure regulator	Choose new pressure regulator for required pressure and flow		☑	☑	☑

Description	Reason	Solution	Valve	Cylinder Regulator	Line Regulator	Gas Supply Panel
Heavy drop of outlet pressure	Leakage in process gas tubing	Check process gas tubing		<input checked="" type="checkbox"/>	<input checked="" type="checkbox"/>	<input checked="" type="checkbox"/>
Outlet Pressure to high	Wrong settings for pressure regulator	Adjust pressure regulator settings, readjust pressure regulator, maintenance		<input checked="" type="checkbox"/>	<input checked="" type="checkbox"/>	<input checked="" type="checkbox"/>
Outlet pressure increase immediately all the way to the stop or outlet pressure increases and gets slowly higher than set value and relief valve opens	Pollution or damage of pressure regulator seat "Creap"	Repair by manufacturer		<input checked="" type="checkbox"/>	<input checked="" type="checkbox"/>	<input checked="" type="checkbox"/>
Noise during operation	Required flow too high for pressure regulator	Choose new pressure regulator for required pressure and flow		<input checked="" type="checkbox"/>	<input checked="" type="checkbox"/>	<input checked="" type="checkbox"/>
No changes of valve control when turning the handwheel	Defect handwheel because of too high torque, defect of spindle, defect of thread	Repair by manufacturer	<input checked="" type="checkbox"/>	<input checked="" type="checkbox"/>	<input checked="" type="checkbox"/>	<input checked="" type="checkbox"/>
Moisture on pressure regulator (NO dew, rain or snow)	Pressure regulator withdraw energy from environment through gas expansion	No failure, normal operating state		<input checked="" type="checkbox"/>	<input checked="" type="checkbox"/>	<input checked="" type="checkbox"/>
Icing on pressure regulator (NO dew, rain or snow)	Pressure regulator withdraw energy from environment through gas expansion, limited delivery performance from pressure gas tanks, e.g. N ₂ O, CO ₂	No failure, normal operating state ATTENTION: keep functionality of contact gauges in mind, raise quantity of pressure gas tanks		<input checked="" type="checkbox"/>	<input checked="" type="checkbox"/>	<input checked="" type="checkbox"/>

This table is not exhaustive. For questions and ambiguities please contact manufacturer. Contact details section 1.8.

10. DISMANTLING AND DISPOSAL

Once the system has reached its end-of-life, it must be dismantled and disposed of in an environmentally compatible way.

EN

10.1. SAFETY NOTES FOR DISMANTLING AND DISPOSAL



WARNING!

- **Risk of injury through incorrect dismantling!**
- Residual energy storage, sharp edged components, tips and corners on and in the system or on the required tools can cause injury.
- arrange enough space for working
- be careful with sharp edges
- pay attention for order and cleanliness
- loose components can cause accidents
- dismantle the components properly. Bear in mind that some of the components are heavy. Use lifting equipment if necessary
- secure the components against falling or toppling over
- In doubt ask the manufacturer

10.2. DISMANTLING

PRIOR STARTING DISMANTLING

Depressurize cylinder regulator by turning the handwheel anti clockwise.

Depressurize cylinder regulator and make sure that there is no process gas inside.

Depressurize tubing system and purge with inert gas if necessary.

Dismantle the assemblies and components properly and in compliance with applicable local work safety and environmental protection regulations.



WARNING!

- **Do not open system filled or used with toxic and/ or corrosive gases.**

10.3. DISPOSAL

In the absence of a return or disposal agreement, the dismantled components should be recycled as follows:

Metals: scrap.

Plastics: recycle.

Other components: sort and dispose.

In accordance to Article 33 of REACH GCE, s.r.o. as responsible manufacturer shall inform all customers if materials containing 0.1% or more of substances included in the list of Substance of Very High Concern (SVHC).

The most commonly used brass alloys used for bodies and other brass components contain 2-3% of lead (Pb), EC no. 231-468-6, CAS no. 7439-92-1. The lead will not be released to the gas or surrounding environment during normal use. After end of life the product shall be scrapped by an authorized metal recycler to ensure efficient material handling with minimal impact to environment and health.

To date we have no information that indicates that other materials containing SVHC of concentrations exceeding 0.1% are included in any GCE product.



NOTE!

- **Risk of environmental harm through incorrect disposal!**
- Incorrect disposal can harm the environment.
- Commission a specialized licensed firm to dispose of electrical waste, electronic components, lubricants and other auxiliary materials.
- If in doubt, enquire how to ensure environmentally compatible disposal at your local council office or consult a specialist disposal firm.

www.linde.com

These products were manufactured on behalf of Linde GmbH.

INHALT

DE

1. ALLGEMEINES	32
1.1. INFORMATION ZU DIESER ANLEITUNG	32
1.2. INFORMATION ZUM FLASCHENDRUCKREGLER	32
1.3. SYMBOLERKLÄRUNG.....	33
1.4. HAFTUNGSBESCHRÄNKUNG.....	34
1.5. URHEBERSCHUTZ	34
1.6. ERSATZTEILE	34
1.7. GEWÄHRLEISTUNGSBESTIMMUNGEN	34
1.8. KUNDENSERVICE.....	34
2. SICHERHEIT	35
2.1. BESTIMMUNGSGEMÄSSE VERWENDUNG.....	35
2.1.1. BAULICHE VERÄNDERUNG AM FLASCHENDRUCKREGLER.....	35
2.2. GRUNDSÄTZLICHE GEFAHREN	35
2.3. VERANTWORTUNG DES BETREIBERS	36
2.4. PERSONALANFORDERUNGEN	37
2.4.1. QUALIFIKATIONEN	37
2.4.2. UNBEFUGTE.....	37
2.4.3. UNTERWEISUNG	38
2.5. PERSÖNLICHE SCHUTZAUSRÜSTUNG	38
2.6. VERHALTEN BEI FEUER AUSBRUCH UND BEI UNFÄLLEN.....	39
2.7. UMWELTSCHUTZ	39
2.8. BESCHILDERUNG.....	39
2.8.1. GEBOTZEICHEN	39
2.8.2. VERBOTZEICHEN	39
2.8.3. WARNZEICHEN.....	39
3. TECHNISCHE DATEN	40
3.1. FLIESSSCHEMA – EINSTUFIGE VERSION.....	40
3.2. FLIESSSCHEMA – ZWEISTUFIGE VERSION	42
3.3. MASSBLATT	43
3.4. ALLGEMEINE ANGABEN.....	45
3.5. ANSCHLUSSWERTE	45
3.6. LEISTUNGSWERTE	45
3.7. BETRIEBSBEDINGUNGEN UMGEBUNG	45
4. AUFBAU UND FUNKTION	46
4.1. MESSING VERCHROMTE VERSION	46
4.2. KURZBESCHREIBUNG.....	46
5. TRANSPORT, VERPACKUNG UND LAGERUNG	46
5.1. SICHERHEITSHINWEISE FÜR DEN TRANSPORT	46
5.2. TRANSPORT INSPEKTION	47
5.3. VERPACKUNG.....	47
5.4. LAGERUNG	47
6. INSTALLATION UND ERSTINBETRIEBNAHME	47
6.1. SICHERHEITSHINWEISE FÜR DIE INSTALLATION UND ERSTINBETRIEBNAHME	47
6.2. VORBEREITUNGEN	48
6.3. INSTALLATION.....	48
6.3.1. VORBEREITUNG	48
6.3.2. ANSCHLIESSEN DER GASFLASCHE.....	48
6.4. VORAUSSETZUNG ZUR ERSTINBETRIEBNAHME	49

- 6.5. ERSTINBETRIEBNAHME49
 - 6.5.1. FÜLLEN DER PROZESSGASLEITUNG MIT PROZESSGAS49
 - 6.5.2. FLASCHENWECHSEL50
 - 6.5.3. AUSSERBETRIEBNAHME50
- 6.6. PRÜFUNGEN51
- 7. BETRIEB51**
- 8. WARTUNG51**
 - 8.1. SICHERHEITSHINWEISE FÜR DIE WARTUNG51
 - 8.2. WARTUNGSPLAN51
 - 8.3. WARTUNGSARBEITEN52
 - 8.3.1. REINIGUNG52
 - 8.3.2. VORAUSSETZUNG ZUR WARTUNG52
 - 8.3.3. NOTWENDIGE WARTUNGSLEISTUNG52
 - 8.4. MASSNAHMEN NACH ERFOLGTER WARTUNG52
- 9. STÖRUNGEN52**
 - 9.1. SICHERHEITSHINWEISE FÜR DIE STÖRUNGSBEHEBUNG52
- 10. DEMONTAGE UND ENTSORGUNG55**
 - 10.1. SICHERHEITSHINWEISE FÜR DIE DEMONTAGE UND ENTSORGUNG55
 - 10.2. DEMONTAGE55
 - 10.3. ENTSORGUNG56

1. ALLGEMEINES

DE

1.1. INFORMATION ZU DIESER ANLEITUNG

Diese Anleitung gilt für ein- und zweistufige Flaschendruckregler des Typs:

- C12hv
- C200hv

Flaschendruckregler sind für den direkten Anschluss an Gasflaschen zur Reduzierung des Flaschendrucks auf niedrige Ausgangsdruckbereiche vorgesehen. Die Flaschenanschlüsse haben nach der jeweiligen Norm (DIN 477, CGA, AFNOR, etc.), der Gasart entsprechend, unterschiedliche Gewinde. Bitte beachten.

Diese Anleitung ermöglicht den sicheren und effizienten Umgang mit dem Flaschendruckregler.

Die Anleitung ist Bestandteil des Geräts und muss in unmittelbarer Nähe des Geräts für das Personal jederzeit zugänglich aufbewahrt werden. Das Personal muss diese Anleitung vor Beginn aller Arbeiten sorgfältig durchgelesen und verstanden haben. Grundvoraussetzung für sicheres Arbeiten ist die Einhaltung aller angegebenen Sicherheitshinweise und Handlungsanweisungen in dieser Anleitung. Darüber hinaus gelten die örtlichen Unfallverhütungsvorschriften und allgemeinen Sicherheitsbestimmungen für den Einsatzbereich des Geräts. Abbildungen in dieser Anleitung dienen dem grundsätzlichen Verständnis und können von der tatsächlichen Ausführung abweichen.

1.2. INFORMATION ZUM FLASCHENDRUCKREGLER

Flaschendruckregler dieses Typs dürfen nur mit denen als Standardgas definierten Gasen verwendet werden. Der maximale Eingangsdruck für den C12hv ist max. 12 bar und für den C200hv max. 200 bar.

Produkt Linie	(Reinheit 6.0 Messing verchromt)	(Reinheit 6.0 Edelstahl)
Mit FKM Sitz des Abblaseventils	<ul style="list-style-type: none"> • Verwendbare Gase (inclusive deren Mischungen): <ul style="list-style-type: none"> • Reinstgas • Inert • Brennbar • Brandfördernd • O₂ • NICHT verwendbare Gase (inklusive deren Mischungen): <ul style="list-style-type: none"> • Ätzend • Giftig • CO₂, N₂O 	<ul style="list-style-type: none"> • Verwendbare Gase (inclusive deren Mischungen): <ul style="list-style-type: none"> • Reinstgas • Inert • Brennbar • Brandfördernd (bis 200 bar) • Ätzend • Giftig • Bei Unklarheiten bitte Rücksprache halten • Verwendbar für O₂ bis 200 bar • NICHT verwendbare Gase (inklusive deren Mischungen): <ul style="list-style-type: none"> • O₂ über 200 bar • CO₂, N₂O • NH₃, SO₂, H₂S
Mit EPDM Sitz des Abblaseventils	<ul style="list-style-type: none"> • Verwendbare Gase (inklusive deren Mischungen): <ul style="list-style-type: none"> • Reinstgas • Inert • Brennbar • Brandfördernd • O₂, N₂O • NICHT verwendbare Gase (inklusive deren Mischungen): <ul style="list-style-type: none"> • Ätzend • Giftig • O₂ (Anteil größer als 21%) • Kohlenwasserstoffe 	<ul style="list-style-type: none"> • Verwendbare Gase (inklusive deren Mischungen): <ul style="list-style-type: none"> • Reinstgas • Inert • Brennbar • Brandfördernd • Ätzend • Giftig • Bei Unklarheiten bitte Rücksprache halten • CO₂, N₂O • NH₃, SO₂, H₂S • NICHT verwendbare Gase (inklusive deren Mischungen): <ul style="list-style-type: none"> • O₂ (Anteil größer als 21%) • Kohlenwasserstoffe

Diese Tabelle erhebt keinen Anspruch auf Vollständigkeit. Bei Fragen und Unklarheiten kontaktieren Sie bitte den Hersteller.

Es gibt ein- und zweistufige Flaschendruckregler mit Metallmembran in 6-Port Ausführung. Hergestellt und zugelassen nach ISO7291 inklusive Sauerstoff-Ausbrenntest (siehe Tabelle Absatz 1.2).

Der Flaschendruckregler besteht aus Druckreglerkörper, Eingangs- und Ausgangsmanometer, Flaschenanschluss sowie einem Abblaseventil. Er ist mit diversen Anschlussverschraubungen und/ oder mit diversen

Zusatzkomponenten wie z.B.

- Absperrventil am Ausgang (A)
- Regelventil am Ausgang (B)
- Fremdgas Spülventil am Eingang (TP).
- Fremdgas Spülventil am Eingang und Absperrventil am Ausgang (TPA), nur in der Edelstahlausführung.
- Fremdgas Spülventil am Eingang und Regelventil am Ausgang (TPB), nur in der Edelstahlausführung.

Die Ausführungen **C200/1 TP, C200/1 TPA, C200/1 TPB, C200/2 TP, C200/2 TPA und C200/2 TPB** erlauben die Spülung des Druckreglers mit Fremdgas. Sie sind damit insbesondere geeignet für ätzende und giftige Gase.

Flaschendruckregler mit Spülmöglichkeit ermöglichen die Trocknung der Armatur bzw. das Entfernen feuchter Atmosphärenluft, die vor der Inbetriebnahme oder beim Flaschenwechsel in den Druckregler eingedrungen sein kann. Mithilfe eines Dreifachspülblocks oder eines Fremdgaspülventils kann die Armatur von giftigen, ätzenden oder selbstentzündlichen Gasen vor Außerbetriebnahme frei gespült werden.

1.3. SYMBOLERKLÄRUNG

SICHERHEITSHINWEISE	<p>Sicherheitshinweise sind in dieser Anleitung durch Symbole gekennzeichnet. Die Sicherheitshinweise werden durch Signalworte eingeleitet, die das Ausmaß der Gefährdung zum Ausdruck bringen.</p>
	<p>GEFAHR!</p> <p>Diese Kombination aus Symbol und Signalwort weist auf eine unmittelbar gefährliche Situation hin, die zum Tod oder zu schweren Verletzungen führt, wenn sie nicht gemieden wird.</p>
	<p>WARNUNG!</p> <p>Diese Kombination aus Symbol und Signalwort weist auf eine möglicherweise gefährliche Situation hin, die zum Tod oder zu schweren Verletzungen führen kann, wenn sie nicht gemieden wird.</p>
	<p>VORSICHT!</p> <p>Diese Kombination aus Symbol und Signalwort weist auf eine möglicherweise gefährliche Situation hin, die zu geringfügigen oder leichten Verletzungen führen kann, wenn sie nicht gemieden wird.</p>
	<p>HINWEIS!</p> <p>Diese Kombination aus Symbol und Signalwort weist auf eine möglicherweise gefährliche Situation hin, die zu Sach- und Umweltschäden führen kann, wenn sie nicht gemieden wird.</p>
	<p>TIPPS UND EMPFEHLUNGEN</p> <p>Dieses Symbol hebt nützliche Tipps und Empfehlungen sowie Informationen für einen effizienten und störungsfreien Betrieb hervor.</p>
BESONDERE HINWEISE	<p>Um auf besondere Gefahren aufmerksam zu machen, werden in Sicherheitshinweisen folgende Symbole eingesetzt.</p>
	<p>GEFAHR!</p> <p>Diese Kombination aus Symbol und Signalwort weist auf eine unmittelbar gefährliche Situation durch elektrischen Strom hin. Wird ein so gekennzeichnete Hinweis nicht beachtet, sind schwere oder tödliche Verletzungen die Folge.</p>

1.4. HAFTUNGSBESCHRÄNKUNG

Alle Angaben und Hinweise in dieser Anleitung wurden unter Berücksichtigung der geltenden Normen und Vorschriften, des Stands der Technik sowie unserer langjährigen Erkenntnisse und Erfahrungen zusammengestellt. In folgenden Fällen übernimmt der Hersteller für Schäden keine Haftung:

- Nichtbeachtung dieser Anleitung
- bei von der bestimmungsgemäßen abweichenden Verwendung
- Einsatz von nicht ausgebildetem Personal
- eigenmächtige technische und bauliche Veränderungen
- Verwendung nicht zugelassener Ersatzteile
- Betreiben des druckführenden Gerätes bei defekten Sicherheitseinrichtungen oder nicht funktionsgemäß angebrachten oder nicht funktionsfähigen Sicherheits- und Schutzvorrichtungen
- mangelhafte Überwachung von Ausrüstungs-, Verschraubungs- und Dichtungsteilen, die einem Verschleiß unterliegen
- unsachgemäß durchgeführte Reparaturen
- Überschreitung oder Unterschreitung des im Datenblatt angegebenen Temperaturbereichs während des Betriebes bzw. während der Lagerung
- Katastrophenfälle durch Fremdkörpereinwirkung und höhere Gewalt

Der tatsächliche Lieferumfang kann bei Sonderausführungen, der Inanspruchnahme zusätzlicher Besteloptionen oder aufgrund neuester technischer Änderungen von den hier beschriebenen Erläuterungen und Darstellungen abweichen. Es gelten die im Liefervertrag vereinbarten Verpflichtungen, die allgemeinen Geschäftsbedingungen sowie die Lieferbedingungen des Herstellers und die zum Zeitpunkt des Vertragsabschlusses gültigen gesetzlichen Regelungen.

1.5. URHEBERSCHUTZ

Die Inhalte dieser Anleitung sind urheberrechtlich geschützt. Ihre Verwendung ist im Rahmen der Nutzung des Geräts zulässig. Eine darüber hinausgehende Verwendung ist ohne schriftliche Genehmigung des Herstellers nicht gestattet.

1.6. ERSATZTEILE



WARNUNG!

- Verletzungsgefahr durch die Verwendung falscher Ersatzteile!
- Durch die Verwendung falscher oder fehlerhafter Ersatzteile können Gefahren für das Personal entstehen sowie Beschädigungen, Fehlfunktionen oder Totalausfall verursacht werden.
- Nur Originalersatzteile des Herstellers oder vom Hersteller zugelassene Ersatzteile verwenden.
- Bei Unklarheiten stets Hersteller kontaktieren.



GARANTIEVERUST!

- Bei Verwendung nicht zugelassener Ersatzteile erlischt die Herstellergarantie

1.7. GEWÄHRLEISTUNGSBESTIMMUNGEN

Grundsätzlich gelten unsere "Allgemeinen Verkaufs- und Lieferbedingungen". Diese stehen dem Kunden spätestens seit Vertragsabschluss zur Verfügung.

1.8. KUNDENSERVICE

Wir sind stets an Informationen und Erfahrungen interessiert, die sich aus der Anwendung ergeben und für die Verbesserung unserer Produkte wertvoll sein können.

2. SICHERHEIT

Dieser Abschnitt gibt einen Überblick über alle wichtigen Sicherheitsaspekte für den Schutz von Personen sowie für den sicheren und störungsfreien Betrieb. Weitere aufgabenbezogene Sicherheitshinweise sind in den Abschnitten zu den einzelnen Lebensphasen enthalten.

2.1. BESTIMMUNGSGEMÄSSE VERWENDUNG

Die Flaschendruckregler vom Typ C12hv und C200hv sind nur für die angegebenen Gase und Drücke unter Einhaltung der angegebenen Temperaturen zu verwenden. Der nominale Volumenstrom beträgt nach ISO 2503 20 m³/h (Druckluft). Zur bestimmungsgemäßen Verwendung gehören auch die Einhaltung aller Angaben und Hinweise in dieser Anleitung und die Einhaltung der Inspektions- und Wartungsarbeiten, sowie das Beachten des Typenschildes und der Datenblätter. Jede über die bestimmungsgemäße Verwendung hinausgehende oder andersartige Benutzung gilt als Fehlgebrauch.

DE



WARNUNG!

- **Gefahr bei Fehlgebrauch!**
- Fehlgebrauch der Flaschendruckregler kann zu gefährlichen Situationen führen.
- Niemals die Flaschendruckregler als Durchflussregel-element oder als Absperrventil verwenden.
- Niemals den Flaschendruckregler für Flüssigkeiten verwenden.

2.1.1. BAULICHE VERÄNDERUNG AM FLASCHENDRUCKREGLER

Ohne schriftliche Genehmigung des Herstellers keine Veränderung, An- oder Umbauten am Flaschendruckregler vornehmen.

Flaschendruckregler in nicht einwandfreiem Zustand sind sofort auszutauschen

Reinigung der Gasgeräte und Entsorgung der Rückstände

Verwendete zur Reparatur anstehende Flaschendruckregler sind mit einem inerten Gas (Stickstoff) zu spülen.

Geräuschentwicklung

In einigen Fällen kann das ungünstige Zusammenwirken bestimmter Einflussgrößen, wie z.B. Durchfluss und Druckbereich, aber auch die Gasart selbst zu Geräuschentwicklung führen. Bitte setzen Sie sich in diesen Fällen mit dem Hersteller in Verbindung.

2.2. GRUNDSÄTZLICHE GEFAHREN

Im folgenden Abschnitt sind Restrisiken benannt, die vom Gerät auch bei bestimmungsgemäßer Verwendung ausgehen können. Um die Risiken von Personen- und Sachschäden zu reduzieren und gefährliche Situationen zu vermeiden, müssen die hier aufgeführten Sicherheitshinweise und die Sicherheitshinweise in den weiteren Abschnitten dieser Anleitung beachtet werden.



GEFAHR!

- **Gase können lebensgefährlich sein!**
- Gase können die Luft verdrängen und damit den darin enthaltenen Sauerstoff. Dies kann zum Erstickungstod führen. Sauerstoff bildet eine hoch oxidative Atmosphäre. Entzündbare Gase können eine explosive Atmosphäre bilden.

DAHER:

- Für ausreichende Belüftung sorgen!
- Installation nur durch eine zertifizierte Fachfirma!
- ATEX Richtlinien beachten



ACHTUNG!

- **Gefahren die durch die Umgebung entstehen können!**
- Durch Kondensation und/ oder Vereisung können defekte am Gerät entstehen.

DAHER:

- Temperaturbereiche beachten!
- Schützen Sie das Gerät gegen Flüssigkeiten von außen!
- Schützen Sie das Gerät gegen Staub von außen!
- Wettergeschützt montieren!
- Vorhandene Erdung sachgemäß anbringen!



WARNUNG!

- **Unfallgefahr bei der Verwendung von Öl und Fett!**
- Öle und Fette dürfen in Druckregelsystemen grundsätzlich nicht verwendet werden. Öle und Fette sind hochentzündlich und reagieren heftig mit bestimmten komprimierten Gasen.

DAHER:

- Keinesfalls Öl und Fett einsetzen!

DE



WARNUNG!

- **Unfallgefahr durch im System gespeicherte Energie!**
- Durch falsche Handhabung können drucktragende Teile oder Einzelteile dieser unkontrolliert in Bewegung geraten und ernsthafte oder sogar tödliche Verletzungen verursachen. Durch falsche Handhabung kann Gas aus den drucktragenden Teilen austreten und ernsthafte oder sogar tödliche Verletzungen hervorrufen.

VOR BEGINN ALLER ARBEITEN MIT DRUCKTRAGENDEN TEILEN:

- Installation nur durch eine zertifizierte Fachfirma!
- Schutzbrille tragen!
- Gehörschutz tragen!
- Sicherstellen, dass System nicht unter Druck steht!
- Sicherstellen, dass keine Energie mehr im System gespeichert ist!
- Sicherstellen, dass kein Gas ungewollt austreten kann!
- Sicherstellen, dass defekte Teile unmittelbar durch geschultes Personal ausgetauscht werden!



WARNUNG!

- **Unfallgefahr!**
- Durch falsche Installation kann es zu ernsthafte oder sogar tödliche Verletzungen kommen.

DAHER:

- Sicherung der Geräte vor Herunterfallen während der Installation!
- Geräte nicht werfen!

Drucktragende Teile sind nur für die bestimmungsgemäße Verwendung zu benutzen.

Bei mechanischer Beschädigung der Rohrleitungen und Armaturen muss das System in den sicheren Zustand gebracht werden (betroffenen Abschnitt sperren).

Störungen, welche die Sicherheit beeinträchtigen können, sind umgehend durch dafür geschulte und qualifizierte Mitarbeiter bzw. den Hersteller zu beseitigen.

Besonders bei Gasen besteht die Gefahr eines Defektes am Leitungsdruckregler. Kennzeichen dafür sind entweder kein Gasdurchfluss nach dem Druckregler oder ein plötzlicher Hinterdruckanstieg. Bei Defekt des Druckreglers ist das System sofort außer Betrieb zu nehmen. Die zuständige Wartungsfirma ist unbedingt zu informieren. Nie Abblaseleitungen verschließen.

2.3. VERANTWORTUNG DES BETREIBERS

BETREIBER

Betreiber ist diejenige Person, die das Gerät zu gewerblichen oder wirtschaftlichen Zwecken selbst betreibt oder einem Dritten zur Nutzung/Anwendung überlässt und während des Betriebs die rechtliche Produktverantwortung für den Schutz des Benutzers, des Personals oder Dritter trägt.

BETREIBERPFLICHTEN

Das Gerät wird im gewerblichen Bereich eingesetzt. Der Betreiber des Geräts unterliegt daher den gesetzlichen Pflichten zur Arbeitssicherheit.

Neben den Sicherheitshinweisen in dieser Anleitung müssen die für den Einsatzbereich des Geräts gültigen Sicherheits-, Unfallverhütungs- und Umweltschutzvorschriften eingehalten werden.

DABEI GILT INSBESONDERE FOLGENDES:

- Der Betreiber muss sich über die geltenden Arbeitsschutzbestimmungen informieren und in einer Gefährdungsbeurteilung zusätzlich Gefahren ermitteln, die sich durch die speziellen Arbeitsbedingungen am Einsatzort des Geräts ergeben. Diese muss er in Form von Betriebsanweisungen für den Betrieb des Geräts umsetzen.
- Der Betreiber muss während der gesamten Einsatzzeit des Geräts prüfen, ob die von ihm erstellten Betriebsanweisungen dem aktuellen Stand der Regelwerke entsprechen, und diese, falls erforderlich, anpassen.
- Der Betreiber muss die Zuständigkeiten für Installation, Bedienung, Störungsbeseitigung, Wartung und Reinigung eindeutig regeln und festlegen.
- Der Betreiber muss dafür sorgen, dass alle Personen, die mit dem Gerät umgehen, diese Anleitung gelesen und verstanden haben. Darüber hinaus muss er das Personal in regelmäßigen Abständen schulen und über die Gefahren informieren.
- Der Betreiber muss dem Personal die erforderliche Schutzausrüstung bereitstellen und das Tragen der erforderlichen Schutzausrüstung verbindlich anweisen.
- Darüber hinaus ist der Betreiber dafür verantwortlich, dass die volle technische Zuverlässigkeit der Anlage jederzeit gewährleistet ist.

DAMIT GILT FOLGENDESNDES:

- Der Betreiber muss die Einhaltung der in dieser Anleitung angegebenen Wartungsintervalle sicherstellen.
- Der Betreiber muss sicherstellen, dass alle Sicherheitseinrichtungen regelmäßig auf Funktionssicherheit und Vollständigkeit überprüft werden

2.4. PERSONALANFORDERUNGEN

2.4.1. QUALIFIKATIONEN

Die verschiedenen in dieser Anleitung beschriebenen Aufgaben stellen unterschiedliche Anforderungen an die Qualifikation der Personen, die mit diesen Aufgaben betraut sind.

**WARNUNG!**

- **Gefahr bei unzureichender Qualifikation von Personen!**
 - Unzureichend qualifizierte Personen können die Risiken beim Umgang mit dem Gerät nicht einschätzen und setzen sich und andere der Gefahr schwerer oder tödlicher Verletzungen aus.
 - Alle Arbeiten nur von dafür qualifizierten Personen durchführen lassen!
 - Unzureichend qualifizierte Personen aus dem Arbeitsbereich fernhalten!
- Für alle Arbeiten sind nur Personen zugelassen, von denen zu erwarten ist, dass sie diese Arbeiten zuverlässig ausführen. Personen, deren Reaktionsfähigkeit beeinflusst ist, z. B. durch Drogen, Alkohol oder Medikamente, sind nicht zugelassen.

In dieser Anleitung werden die im Folgenden aufgeführten Qualifikationen der Personen für die verschiedenen Aufgaben benannt:

GASTECHNIK-INGENIEUR

Besitz Fachausbildung, Fähigkeiten, Erfahrung und Wissen bezüglich relevanter Normen und Richtlinien um Arbeiten an Druckregelsystemen vornehmen zu können und potentielle Risiken zu erkennen. Gastechnik-Ingenieure sind speziell geschult im Hinblick auf die jeweilige Produktionsstätte und deren spezifische Standards und Richtlinien.

TECHNIKER

Besitz Fachausbildung, Fähigkeiten, und Erfahrung bezüglich relevanter Normen und Richtlinien um Arbeiten an Druckregelsystemen vornehmen zu können und potentielle Risiken zu erkennen.

2.4.2. UNBEFUGTE

**WARNUNG!**

- **Lebensgefahr für Unbefugte durch Gefahren im Gefahren- und Arbeitsbereich!**
- Unbefugte Personen, die die hier beschriebenen Anforderungen nicht erfüllen, kennen die Gefahren im Arbeitsbereich nicht. Daher besteht für Unbefugte die Gefahr schwerer Verletzungen bis hin zum Tod.
- Unbefugte Personen vom Gefahren- und Arbeitsbereich fernhalten!
- Im Zweifel Personen ansprechen und sie aus dem Gefahren- und Arbeitsbereich weisen!
- Die Arbeiten unterbrechen, solange sich Unbefugte im Gefahren- und Arbeitsbereich aufhalten!

2.4.3. UNTERWEISUNG

Der Besitzer muss das Personal regelmäßig unterweisen. Zur besseren Nachverfolgung muss ein Unterweisungsprotokoll mit folgenden Mindestinhalten erstellt werden:

- Datum der Unterweisung
- Name des Unterwiesenen
- Inhalte der Unterweisung
- Name des Unterweisenden
- Unterschriften des Unterwiesenen und des Unterweisenden

2.5. PERSÖNLICHE SCHUTZAUSRÜSTUNG

Persönliche Schutzausrüstung dient dazu, Personen vor Beeinträchtigungen der Sicherheit und Gesundheit bei der Arbeit zu schützen.

Das Personal muss während der verschiedenen Arbeiten an und mit dem Gerät persönliche Schutzausrüstung tragen, auf die in den einzelnen Abschnitten dieser Anleitung gesondert hingewiesen wird.



ATEMSCHUTZGERÄT, UMLUFTUNABHÄNGIG

Schutz vor schädlichen Gasen, Dämpfen, Stäuben und ähnlichen Stoffen.

Atemschutzgeräte wie z.B. Pressluftatmer müssen eingesetzt werden, wenn ein Sauerstoffgehalt von über 17% in der Umgebungsluft nicht garantiert werden kann und/oder ein Überschreiten der zulässigen Grenzwerte schädlicher Stoffe in der Umgebungsluft nicht ausgeschlossen werden kann.

Umluftunabhängige Atemschutzgeräte dürfen nur von speziell geschultem Personal getragen werden.



ATEMSCHUTZGERÄT, UMLUFTABHÄNGIG

Schutz vor schädlichen Gasen, Dämpfen, Stäuben und ähnlichen Stoffen.

Umluftabhängige Atemschutzgeräte müssen eingesetzt werden, wenn ein Überschreiten der zulässigen Grenzwerte schädlicher Stoffe in der Umgebungsluft nicht ausgeschlossen werden kann.

Umluftabhängige Atemschutzgeräte dürfen nur bei einem garantierten Sauerstoffgehalt in der Atemluft von über 17% eingesetzt werden.



SCHUTZBRILLE

Schutz vor umherfliegenden Teilen und Tropfen.



HANDSCHUHE, CHEMISCH RESISTENT

Schutz der Hände vor aggressiven Substanzen. Es ist auf Dichtigkeit der Handschuhe acht zu geben. Nach Gebrauch Handschuhe fachgerecht entsorgen.



SCHUTZHANDSCHUHE

Schutz der Hände vor mechanischen Einflüssen und heißen sowie kalten Oberflächen.



GEHÖRSCHUTZ TRAGEN

Schützt das Gehör vor zu lauten Geräuschen und beugt Schalltraumata vor.

2.6. VERHALTEN BEI FEUERAUSBRUCH UND BEI UNFÄLLEN

VORBEUGENDE MASSNAHMEN

- Stets auf Feuer und Unfälle vorbereitet sein!
- Erste-Hilfe-Einrichtungen (Verbandkasten, Decken usw.) und Feuerlöscheinrichtungen funktionstüchtig und griffbereit aufbewahren.
- Personal mit Unfallmelde-, Erste-Hilfe- und Rettungseinrichtungen vertraut machen.
- Zufahrtswege für Rettungsfahrzeuge freihalten.

MASSNAHMEN BEI FEUERAUSBRUCH UND UNFÄLLEN

- Wenn keine Gefahr für die eigene Gesundheit besteht, Personen aus der Gefahrenzone bergen.
- Falls erforderlich Erste-Hilfe-Maßnahmen einleiten.
- Feuerwehr und/oder Rettungsdienst alarmieren.
- Bei Feuerausbruch: Wenn keine Gefahr für die eigene Gesundheit besteht, Feuer mit Feuerlöscheinrichtungen bekämpfen und Feuerbekämpfung bis zum Eintreffen der Feuerwehr fortsetzen.
- Verantwortlichen am Einsatzort informieren.
- Zufahrtswege für Rettungsfahrzeuge freimachen.
- Rettungsfahrzeuge einweisen.

2.7. UMWELTSCHUTZ



HINWEIS!

- **Gefahr für die Umwelt durch falsche Handhabung von umweltgefährdenden Stoffen!**
- Bei falschem Umgang mit umweltgefährdenden Stoffen, insbesondere bei falscher Entsorgung, können erhebliche Schäden für die Umwelt entstehen.
- Die unten genannten Hinweise zum Umgang mit umweltgefährdenden Stoffen und deren Entsorgung stets beachten!
- Wenn umweltgefährdende Stoffe versehentlich in die Umwelt gelangen, sofort geeignete Maßnahmen ergreifen. Im Zweifel die zuständige Kommunalbehörde über den Schaden informieren und geeignete zu ergreifende Maßnahmen erfragen!

2.8. BESCHILDERUNG



WARNUNG!

- **Gefahr bei unleserlicher Beschilderung!**
- Im Laufe der Zeit können Aufkleber und Schilder verschmutzen oder auf andere Weise unkenntlich werden, so dass Gefahren nicht erkannt und notwendige Bedienungshinweise nicht befolgt werden können. Dadurch besteht Verletzungsgefahr.
- Alle Sicherheits-, Warn- und Bedienungshinweise in stets gut lesbarem Zustand halten.
- Beschädigte Schilder oder Aufkleber sofort erneuern.

2.8.1. GEBOTZEICHEN

- keine Zeichen

2.8.2. VERBOTZEICHEN

- keine Zeichen

2.8.3. WARNZEICHEN



WARNUNG VOR GASFLASCHEN



WARNUNG VOR
EXPLOSIONSFÄHIGER
ATMOSPÄRE



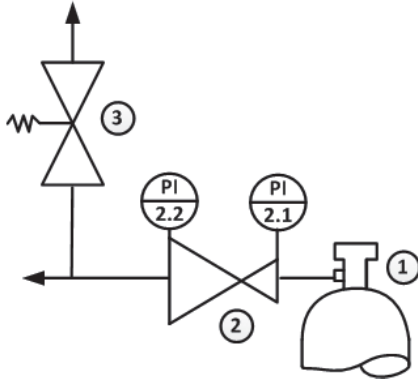
WARNUNG VOR GIFTIGEN UND/
ODER KORROSIVEN STOFFEN

3. TECHNISCHE DATEN

3.1. FLIESSSCHEMA – EINSTUFIGE VERSION

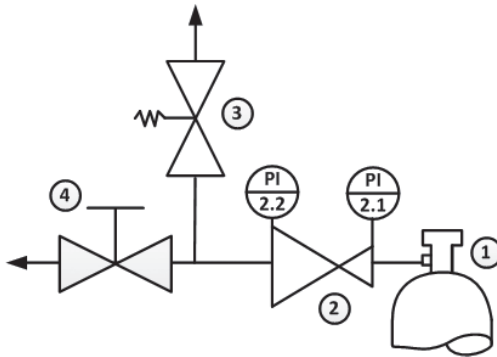
C12HV

DE



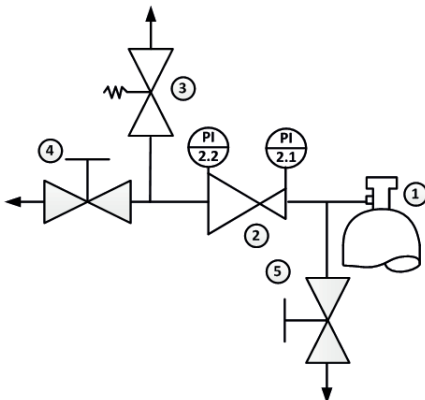
- 1 – GASFLASCHE
- 2 – DRUCKREGLER
- 3 – ABLASEVENTIL

C12HV/1 A



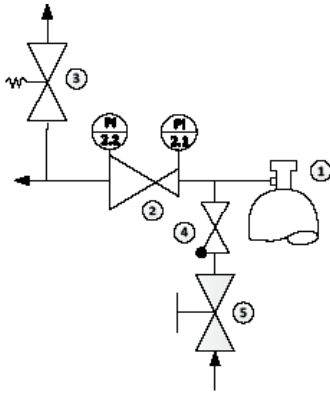
- 1 – GASFLASCHE
- 2 – DRUCKREGLER
- 3 – ABLASEVENTIL
- 4 – ABSPERRVENTIL

C12HV/1 B



- 1 – GASFLASCHE
- 2 – DRUCKREGLER
- 3 – ABLASEVENTIL
- 4 – ABSPERRVENTIL
- 5 – SPÜLVENTIL

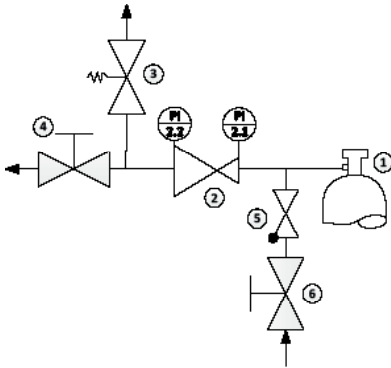
C12HV/1 TP



- 1 – GASFLASCHE
- 2 – DRUCKREGLER
- 3 – ABLASEVENTIL
- 4 – RÜCKSCHLAGVENTIL
- 5 – FREMDGAS SPÜLVENTIL

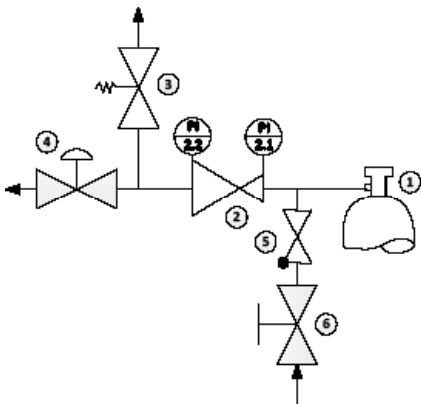
DE

C12HV/1 TPA



- 1 – GASFLASCHE
- 2 – DRUCKREGLER
- 3 – ABLASEVENTIL
- 4 – ABSPERRVENTIL
- 5 – RÜCKSCHLAGVENTIL
- 6 – FREMDGAS SPÜLVENTIL

C12HV/1 TPB

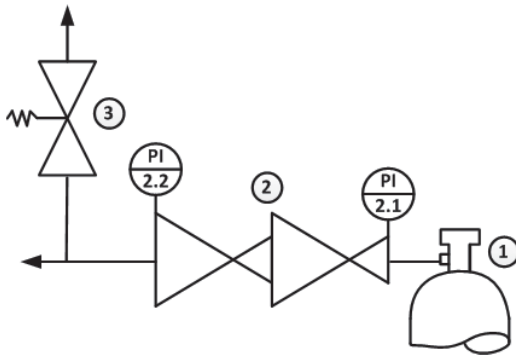


- 1 – GASFLASCHE
- 2 – DRUCKREGLER
- 3 – ABLASEVENTIL
- 4 – REGULIERVENTIL
- 5 – RÜCKSCHLAGVENTIL
- 6 – FREMDGAS SPÜLVENTIL

3.2. FLIESSSCHEMA – ZWEISTUFIGE VERSION

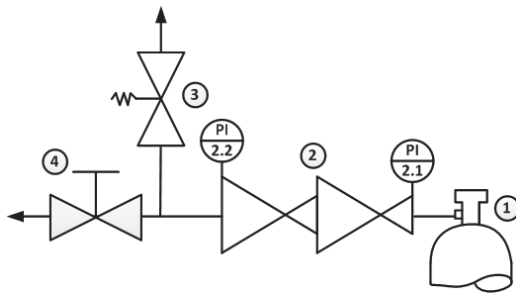
C200HV/2

DE



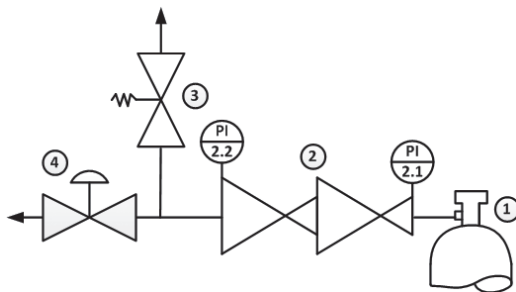
- 1 – GASFLASCHE
- 2 – DRUCKREGLER
- 3 – ABBLASEVENTIL

C200HV/2 A



- 1 – GASFLASCHE
- 2 – DRUCKREGLER
- 3 – ABBLASEVENTIL
- 4 – ABSPERRVENTIL

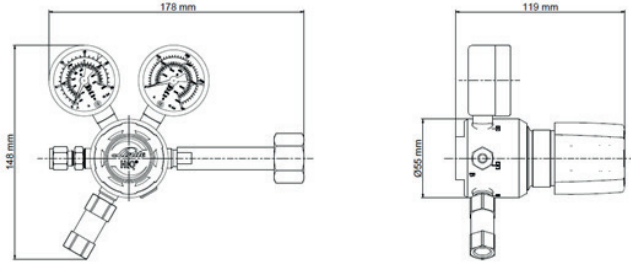
C200HV/2 B



- 1 – GASFLASCHE
- 2 – DRUCKREGLER
- 3 – ABBLASEVENTIL
- 4 – REGULIERVENTIL

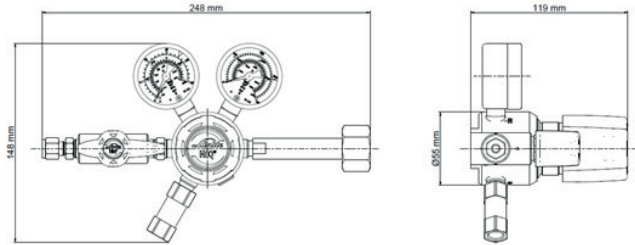
3.3. MASSBLATT

EINSTUFIG

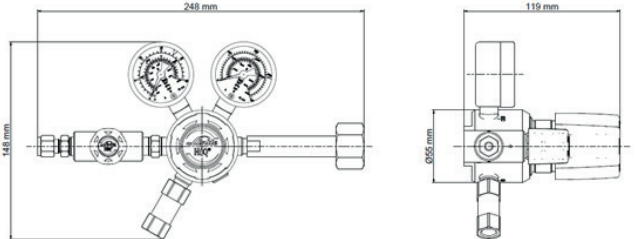


DE

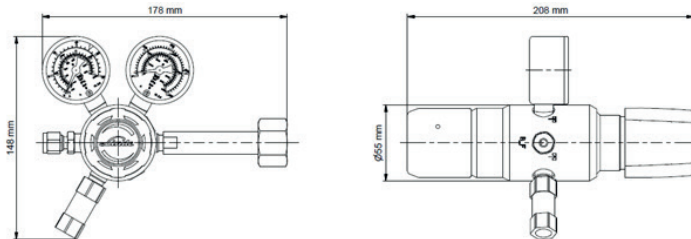
VERSION A | EINSTUFIG



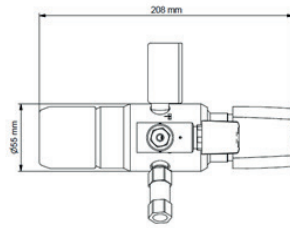
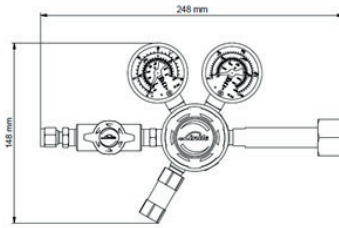
VERSION B | EINSTUFIG



ZWEISTUFIG

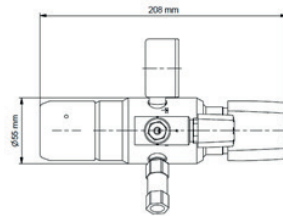
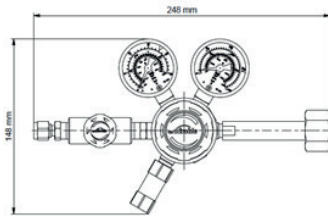


VERSION A | ZWEISTUFIG

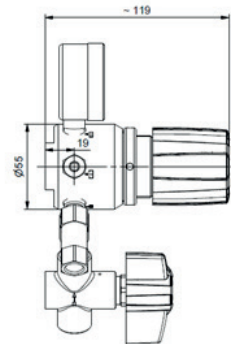
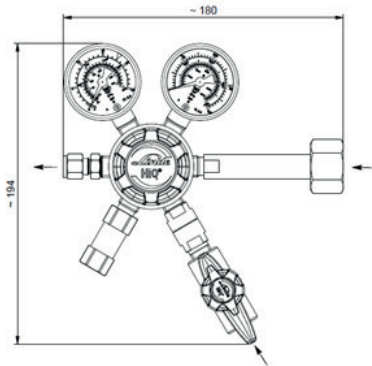


DE

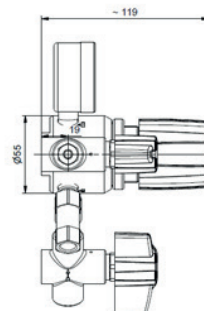
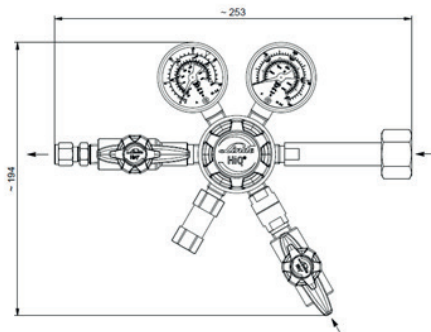
VERSION B | ZWEISTUFIG

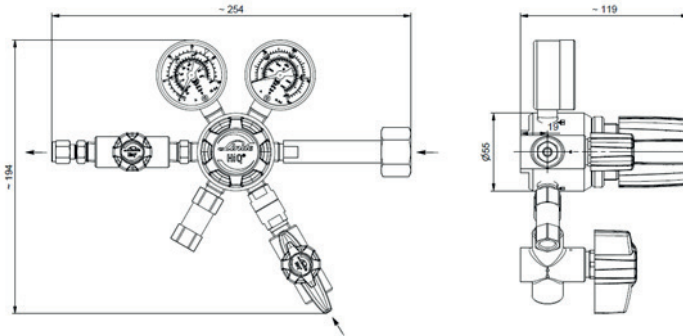


VERSION TP | EINSTUFIG



VERSION TPA | EINSTUFIG





DE

3.4. ALLGEMEINE ANGABEN

Angabe	Einstufig Messing verchromt	Zweistufig Messing verchromt	Einstufig Edelstahl	Zweistufig Edelstahl
max. Gewicht[kg]	2,5	3,3	4,04	4,93
Länge [mm]	223	223	263	263
Breite [mm]	114	202	114	202
Höhe[mm]	168	168	168	168

3.5. ANSCHLUSSWERTE

Angabe	Wert	Einheit
Eingang	DIN477 AFNOR BS CGA Etc.	Flaschenanschlüsse
Ausgang	1/8", 1/4", 3/8", 1/2" 3, 6, 8, 10, 12 4,8; 6,4; 8,0	Klemmringe zöllig Klemmringe mm Schlauchtülle mm (max. 15 bar)
Abblaseventil	1/4"	Klemmringe zöllig

3.6. LEISTUNGSWERTE

Angabe	Wert	Einheit
Nominaler Durchfluss (ISO 2503)	20 (Druckluft)	m ³ /h
Eingangsdruck (max.)	C12hv - 12 bar C200hv - 200 bar	bar
Ausgangsdruck (max.)	200 (abh. vom Eingangsdruck)	bar

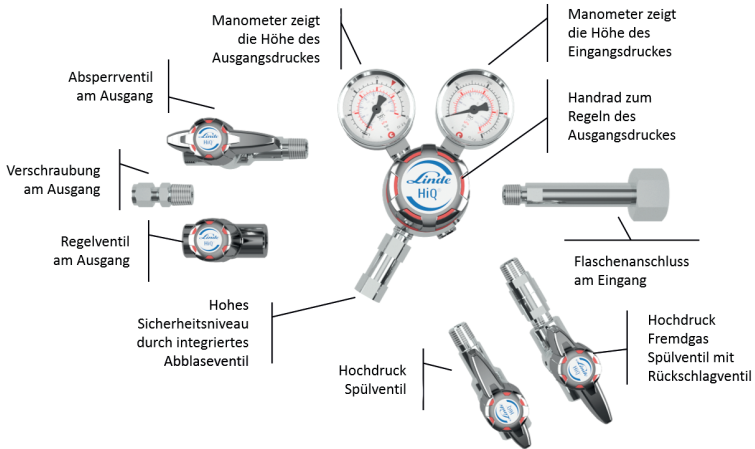
3.7. BETRIEBSBEDINGUNGEN UMGEBUNG

Angabe	Wert	Einheit
Temperaturbereich	-20 bis +60	°C
Relative Luftfeuchte (max.)	98	%

4. AUFBAU UND FUNKTION

4.1. MESSING VERCHROMTE VERSION

DE



4.2. KURZBESCHREIBUNG

Die Bedienung des Flaschendruckreglers erfolgt manuell durch das Handrad. Abzulesen sind der Eingangs- und Ausgangsdruck jeweils auf dem Eingangs- bzw. Ausgangsmanometer. Verschiedene Zusatzkomponenten fließen in die Handhabung mit ein:

- Absperrventil am Ausgang zum Absperrn des Ausgangsdruckes.
- Regelventil am Ausgang zum Regeln des Ausgangsdruckes.
- Fremdgas Spülventil mit Rückschlagventil zum Spülen der Eingangshochdruckseite.

5. TRANSPORT, VERPACKUNG UND LAGERUNG



TIPPS UND EMPFEHLUNGEN!

- Die Installation und Erstinbetriebnahme erfolgt idealerweise durch Mitarbeiter des Herstellers oder durch von ihm autorisierte Personen.
- Dennoch kann es vorkommen, dass im Rahmen der Installation und der weiteren Nutzung Bediener oder Wartungspersonal des Betreibers mit der Handhabung von Packstücken betraut werden. Dabei die im Folgenden aufgeführten Hinweise unbedingt beachten.

5.1. SICHERHEITSHINWEISE FÜR DEN TRANSPORT



HINWEIS!

- **Sachschäden durch unsachgemäßen Transport!**
- Bei unsachgemäßem Transport können Transportstücke fallen oder umstürzen. Dadurch können Sachschäden in erheblicher Höhe entstehen.
- Beim Abladen der Transportstücke bei Anlieferung sowie bei innerbetrieblichem Transport vorsichtig vorgehen und die Symbole und Hinweise auf der Verpackung beachten.
- Nur die vorgesehenen Anschlagpunkte verwenden.
- Verpackungen erst kurz vor der Montage entfernen.

5.2. TRANSPORT INSPEKTION

Die Lieferung bei Erhalt unverzüglich auf Vollständigkeit und Transportschäden prüfen.

BEI ÄUSSERLICH ERKENNBAREM TRANSPORTSCHADEN WIE FOLGT VORGEHEN:

- Lieferung nicht oder nur unter Vorbehalt entgegennehmen.
- Schadensumfang auf den Transportunterlagen oder auf dem Lieferschein des Transporteurs vermerken.
- Reklamation einleiten.



TIPPS UND EMPFEHLUNGEN!

- Jeden Mangel reklamieren, sobald er erkannt ist. Schadensersatzansprüche können nur innerhalb des Gewährleistungszeitraums geltend gemacht werden.

5.3. VERPACKUNG

Die einzelnen Packstücke sind entsprechend den zu erwartenden Transportbedingungen verpackt. Für die Verpackung wurden ausschließlich umweltfreundliche Materialien verwendet.

Die Verpackung soll die einzelnen Bauteile bis zur Montage vor Transportschäden, Korrosion und anderen Beschädigungen schützen. Daher die Verpackung nicht zerstören und erst kurz vor der Montage entfernen.



HINWEIS!

- **Gefahr für die Umwelt durch falsche Entsorgung!**
- Verpackungsmaterialien sind wertvolle Rohstoffe und können in vielen Fällen weiter genutzt oder sinnvoll aufbereitet und wiederverwertet werden. Durch falsche Entsorgung von Verpackungsmaterialien können Gefahren für die Umwelt entstehen.
- Verpackungsmaterialien umweltgerecht entsorgen.
- Die örtlich geltenden Entsorgungsvorschriften beachten. Gegebenenfalls einen Fachbetrieb mit der Entsorgung beauftragen.

5.4. LAGERUNG

Packstücke unter folgenden Bedingungen lagern:

- Nicht im Freien aufbewahren.
- Trocken und staubfrei lagern.
- Keinen aggressiven Medien aussetzen.
- Vor Sonneneinstrahlung schützen.
- Mechanische Erschütterungen vermeiden.
- Lagertemperatur: 15 bis 35 °C.
- Relative Luftfeuchtigkeit: max. 60 %.
- Bei Lagerung länger als 3 Monate regelmäßig den allgemeinen Zustand aller Teile und der Verpackung kontrollieren. Falls erforderlich, die Konservierung auffrischen oder erneuern.



TIPPS UND EMPFEHLUNGEN!

- Unter Umständen befinden sich auf den Packstücken Hinweise zur Lagerung, die über die hier genannten Anforderungen hinausgehen. Diese entsprechend einhalten.

6. INSTALLATION UND ERSTINBETRIEBNAHME

6.1. SICHERHEITSHINWEISE FÜR DIE INSTALLATION UND ERSTINBETRIEBNAHME

PERSONAL

Die Installation und Erstinbetriebnahme darf nur von qualifiziertem Personal durchgeführt werden.

6.2. VORBEREITUNGEN

ENTPACKEN

- Die Komponenten müssen vorsichtig und umsichtig entpackt werden.
- Zusätzliche Verpackungsmaterialien ebenfalls entfernen.
- Alle Komponenten auf etwaige Transportschäden hin untersuchen

ENTLASTEN

- Gasdruck in eventuell bestehenden Anlagen entlasten, ggf. mit Inertgas spülen
- Rohrleitung in eventuell bestehenden Anlagen mit Spezialwerkzeug trennen, dabei Späne vermeiden
- Auf einwandfreien Zustand und Reinheit der Anschlusssteile achten

6.3. INSTALLATION

Verwenden Sie nur Druckminderer mit Flaschenanschluss gemäß den verschiedenen Gasen und den nationalen und internationale Richtlinien (DIN477, CGA, AFNOR, etc.).



GEFAHR!

- Gewinde von Flaschenventil und Überwurfmutter müssen in einwandfreiem Zustand sein.



WARNUNG!

- Immer nur neue Dichtungen verwenden. Dichtungen dürfen nicht deformiert sein und keine Spuren von Schmutz oder Metallspänen aufweisen.
- Die Verwendung von mehreren Dichtungen an einer Dichtstelle ist nicht zulässig.
- Benutzte Dichtungen müssen entfernt werden.



WARNUNG!

- Keine Schlüsselverlängerung benutzen, da sonst Gewinde und Dichtung zerstört werden können. Dies kann zu Leckagen, unkontrolliertem Gasaustritt oder vollständigem Ausströmen des Gasvorrats führen



WARNUNG!

- Beim Anschließen oder Wechseln der Flaschen mit giftigen oder ätzenden Gasen sind entsprechende Personenschutzmaßnahmen zu treffen (Atemschutz, Augenschutz und Schutzkleidung).
- MAK-Werte (siehe Technische Regeln für Gefahrstoffe, TGRS 900) beachten, richtige Atemschutzfilter bereithalten. Ausschließlich Flaschendruckregler mit Spüleinrichtung verwenden.



VORSICHT!

- Vor dem Anschließen muss an Hand des Typenschildes überprüft werden, ob die vorliegende Armatur für den vorgesehenen Verwendungszweck geeignet ist.

6.3.1. VORBEREITUNG

Es dürfen nur Druckregler mit Flaschenanschlüssen der jeweiligen Norm (DIN477, CGA, AFNOR, etc.) entsprechend der eingesetzten Gasart verwendet werden.

6.3.2. ANSCHLIESSEN DER GASFLASCHE

Dem jeweiligen Flaschenanschluss und der Gasart entsprechende Dichtung einlegen.

Überwurfmutter erst von Hand auf den Ventilanschluss an der Flasche aufschrauben.

Auf Rechts- und Linksgewinde achten!

Den Druckregler ansetzen – nicht verkanten!

Die Überwurfmutter mit dem passenden Gabelschlüssel festziehen. Achtung, keine Schlüsselverlängerung verwenden, da sonst das Gewinde und die Dichtung zerstört werden können. Dies kann zu Leckagen und unkontrolliertem Ausströmen des Gasvorrats führen (vollständiger Gasverlust!).

Bei Flaschenanschlüssen mit **Handanschluss** die Überwurfmutter handfest anziehen.

Achtung, keine Schlüssel verwenden, da sonst die Grifffläche zerstört werden kann.



Die Anschlussleitungen werden üblicherweise mit Klemmringverschraubungen montiert. Zuerst werden die Verschlusskappen von den Anschlüssen entfernt. Die Montage erfolgt durch das vollständige Einfügen der Rohrleitung in die Klemmringverschraubung. Dann die Überwurfmutter mit der Hand aufschrauben und mit einem Gabelschlüssel (erste Installation 1/4 Umdrehungen für Rohrleitungen größer als 1/8 Zoll und 3/4 Umdrehungen für Rohrleitungen mit 1/8 Zoll oder kleiner, Wiederinstallation 1/4 Umdrehungen für alle Rohrleitungen) fest anziehen. Die Abblaseleitung wird auf dieselbe Weise am Abblaseventil angeschlossen.

Bitte beachten Sie die Hinweise der Hersteller, sowie die Eignung der Werkstoffe für bestimmte Gase und Druckbereiche.

Der Flaschendruckregler ist bei einem maximalen Ausgangsdruck von 15 bar mit Schlauchtülle erhältlich. Durch die kegelförmige Form der Tülle lässt sich der Schlauch einfach aufstecken.

Typ TP, TPA, TPB, mit Fremdgas Spülventil

Bei Flaschendruckreglern mit Fremdgas Spülventil (TP, TPA, TPB) muss zusätzlich eine Anschlussleitung für das Fremdgas wie oben beschrieben angeschlossen werden.

6.4. VORAUSSETZUNG ZUR ERSTINBETRIEBNAHME

- Die Prüfprotokolle der Leitungssysteme hinsichtlich der Dichtheit, wenn gefordert auch Feuchte und Partikel, liegen vor.
- Prozessgasschläuche, Entlüftungs- und Spülgasschläuche, Sicherheitsventil- und Rückschlagventilschläuche, falls vorhanden, müssen angeschlossen sein
- In der Prozessgasleitung ist nur Standardgas. (siehe Punkt 1.2)
- Die Inbetriebnahme darf nur durch eingewiesenes Fachpersonal erfolgen.
- Nutzen Sie nur funkenfreies Werkzeug und stellen Sie es vor der Installation bereit.
- Es ist den Vorschriften entsprechende Schutzkleidung zu tragen.
- Überprüfen Sie vor Erstinbetriebnahme anhand des Typenschildes, ob der vorliegende Flaschendruckminderer für den vorgesehenen Verwendungszweck geeignet ist (Gas, Druck, Werkstoff, etc.)
- Bei Verwendung von ätzenden, giftigen Gasen und den Edelstahl Flaschendruckminderer **Version TP, TPA, TPB, EP, EPA und/ oder EPB**, ist vor der Inbetriebnahme eine Spülung mit Fremdgaspülung mit inertem Gas durchzuführen (siehe Punkt 6.5.2).

6.5. ERSTINBETRIEBNAHME

- Alle Voraussetzungen sind gemäß Punkt 6.4 erfüllt
- Flaschendruckregler ist entspannt (geschlossen), d.h. das Handrad ist ganz herausgedreht (nach links)
- Wenn korrosives und/ oder giftiges Gas und die Edelstahlversion **TP, TPA, TPB** des Flaschendruckreglers verwendet wird, muss vor der Erstinbetriebnahme eine Spülung mit Inertgas durchgeführt werden (siehe Punkt 6.5.2).



WARNUNG!

- Es ist unbedingt darauf zu achten, dass der Flaschendruckregler nicht über den zulässigen Betriebsdruck hinaus mit Druck beaufschlagt wird.

6.5.1. FÜLLEN DER PROZESSGASLEITUNG MIT PROZESSGAS

Gewünschten Ausgangsdruck durch langsames Drehen des Druckregler-Handrades im Uhrzeigersinn einstellen.

Der Flaschendruckregler ist nun in Betrieb. Es wird empfohlen den Druckregler täglich zu kontrollieren und die Drücke zu überprüfen

6.5.2. FLASCHENWECHSEL

Wenn korrosives und/ oder giftiges Gas und die Edelstahlversion **TP**, **TPA**, **TPB** des Flaschendruckreglers verwendet wird, muss vor dem Flaschenwechsel eine Spülung mit Inertgas durchgeführt werden (siehe Punkt 6.5.2).

DE



HINWEIS!

- Für die Fremdgasspülung mit Inert Gas trockenes, sauberes Spülgas verwenden. Wir empfehlen eine Gasreinheit, die der Anwendung entspricht.



WARNUNG!

- Beim Wechseln der Flaschen mit giftigen, ätzenden Gasen sind entsprechende Personenschutzmaßnahmen zu treffen (Atemschutz, Augenschutz, Schutzkleidung. MAK-Werte (siehe Technische Regeln für Gefahrstoffe, TGRS 900) beachten, richtige Atemschutzfilter bereithalten.



GEFAHR!

- Wurden aus der Druckgasflasche giftige und/ oder ätzende Gase entnommen, ist vor dem Auswechseln der leeren Flasche das druckführende Gerät mit inertem Gas zu spülen (Fremdgasspülung). Damit wird erreicht, dass das im System befindliche Restgas durch die Spülabgasleitung entsorgt wird

VORBEREITUNG

1. Gasflaschenventil fest schließen
2. Druckregler restlos entleeren, Zeiger von Eingangs- und Ausgangsdruckmanometer müssen beide auf „0“ stehen
3. Handrad des Druckreglers bis zum Anschlag gegen Uhrzeigersinn drehen, Druckregler geschlossen
4. Ausgangsabsper- oder Regelventil schließen, wenn vorhanden
5. Bei den Versionen **P**, **TP**, **TPA**, **TPB** zuerst Spül- oder Entlastungsvorgang durchführen

SPÜLVORGANG

Spülvorgang bei Flaschendruckreglern mit Fremdgas Spülventil auf der Hochdruckseite (TP, TPA, TPB)

A Überprüfen, ob Spülgaseingang und Prozessgasausgang ordnungsgemäß angeschlossen sind

B Alle Ventile schließen

C Druckregler durch Drehen des Handrades gegen den Uhrzeigersinn schließen

D Fremdgasspülventil öffnen

E Fremdgasspülventil schließen

F Druckregler und Ausgangsabsper- oder Ausgangsregelventil kurz öffnen und Spülgas durch den Flaschendruckreglerausgang entweichen lassen

G Flaschendruckregler und Ausgangsabsper- oder Ausgangsregelventil schließen

Die Schritte D – G für ein einwandfreies Spülresultat bitte zehnmal wiederholen.

6. Überwurfmutter an der Gasflasche mit Schraubenschlüssel lösen. Bei einem Flaschenanschluss mit **Handanschluss, Überwurfmutter per Hand lösen.**

7. Neue Flaschen wie oben beschrieben (Punkt 6.3.1) anschließen.

6.5.3. AUSSERBETRIEBNAHME

Wenn korrosives und/ oder giftiges Gas und die Edelstahlversion **TP**, **TPA**, **TPB** des Flaschendruckreglers verwendet wird, muss vor der Außerbetriebnahme eine Spülung mit Inertgas durchgeführt werden (siehe Punkt 6.5.2).



VORSICHT!

- Bei Ausbau generell beachten: Druckregler und Leitungen durch Ableiten des Gases über den Verbraucher entspannen, Zeiger von Vor- und Hinterdruckmanometer müssen vollständig auf „0“ stehen.
- Bei ätzenden bzw. giftigen Gasen alle Komponenten mit Inertgas spülen.
- Entsprechende Personenschutzmaßnahmen treffen (Atemschutz, Augenschutz und Schutzkleidung).
- MAK-Werte (siehe Technische Regeln für Gefahrstoffe, TGRS 900) beachten, richtige Atemschutzfilter bereithalten.

1. Gasflaschenventil fest schließen
2. Druckregler restlos entleeren, Zeiger von Eingangs- und Ausgangsdruckmanometer müssen beide auf „0“ stehen
3. Handrad des Druckreglers bis zum Anschlag gegen Uhrzeigersinn drehen, Druckregler geschlossen
4. Ausgangsabsper- oder Regelventil schließen, wenn vorhanden

- 5. Bei den Versionen **P, TP, TPA, TPB** zuerst Spül- oder Entlastungsvorgang durchführen (siehe Punkt 6.5.2)
 - Durch Drehen des Druckregler-Handrades gegen den Uhrzeigersinn den Flaschendruckregler schließen.
 - Rohrleitung entspannen!
 - Der Flaschendruckregler ist nun außer Betrieb. Es können jetzt Reparatur- und Wartungsarbeiten durchgeführt werden.

6.6. PRÜFUNGEN

- Nach der Druckbeaufschlagung die Funktion des Druckreglers überprüfen.
- Dichtigkeit des Abblaseventils überprüfen.

7. BETRIEB

Gemäß Kapitel 2.1 ist der Betrieb der Flaschendruckregler für Standardgase definiert.

Für eine kurzzeitige Unterbrechung der Gasentnahme genügt es, das Absperr- oder Regelventil am Regler zu schließen.

Bei längerer Unterbrechung muss der Regler durch Drehen des Handrades gegen den Uhrzeigersinn drucklos gemacht werden.

Schließen Sie aus Sicherheitsgründen das Flaschenventil



VORSICHT!

- Handventile müssen immer langsam und vorsichtig geöffnet werden, um Druckstöße im System zu vermeiden und andere Komponenten zu schützen.

Für eine kurzzeitige Unterbrechung der Gasentnahme genügt es, das Absperr- oder Regelventil am Regler zu schließen. Bei längerer Unterbrechung muss der Regler durch Drehen des Handrades gegen den Uhrzeigersinn drucklos gemacht werden. Schließen Sie aus Sicherheitsgründen das Flaschenventil

8. WARTUNG

8.1. SICHERHEITSHINWEISE FÜR DIE WARTUNG



HINWEIS!

Wartungsarbeiten dürfen nur von qualifiziertem, geschultem und autorisiertem Personal durchgeführt werden. (siehe Kapitel 2.4).

8.2. WARTUNGSPLAN

In den nachstehenden Abschnitten sind die Wartungsarbeiten beschrieben, die für einen optimalen und störungsfreien Betrieb des Geräts erforderlich sind.

Sofern bei regelmäßigen Kontrollen eine erhöhte Abnutzung zu erkennen ist, die erforderlichen Wartungsintervalle entsprechend den tatsächlichen Verschleißerscheinungen verkürzen.



HINWEIS!

- Bei jeglichen Fragen bezüglich Wartungsarbeiten und Wartungsintervallen kontaktieren Sie den Kundenservice.

Intervall	Wartungsarbeit	Personal
Wöchentlich	Alle Komponenten visuell überprüfen	Befähigte Person (TRBS 1203)
Einmal jährlich	Betriebsprüfung auf Funktion und Dichtigkeit, Prüfung aller sicherheitsrelevanten Teile	Befähigte Person (TRBS 1203)
Alle 10 Jahre	Generalüberholung und Austausch aller Verschleißteile	Befähigte Person (TRBS 1203)

8.3. WARTUNGSARBEITEN

8.3.1. REINIGUNG



HINWEIS!

- Reinigungsmittel müssen mit den Materialien, mit denen sie in Berührung kommen, verträglich sein.

DE

8.3.2. VORAUSSETZUNG ZUR WARTUNG

VOR BEGINN DER WARTUNG IST ZU PRÜFEN, DASS

- Die Gasversorgung unterbrochen und sichergestellt ist.
- Die Entspannungsstation drucklos ist.
- Der Druckregler entspannt ist.
- Das Ventil geschlossen ist.
- Sich kein Prozessgas mehr im System befindet.
- Das System mit einem Inertgas freigespült wurde.

8.3.3. NOTWENDIGE WARTUNGSLEISTUNG

- Prüfung der Anzeigegenauigkeit des Anzeigewertes bei Druckanzeigen.
- Entspannungsstation, Druckregler, Ventile und Druckanzeigen: Zustand auf Funktion, Zustand und Kennzeichnung prüfen.
- Prüfung der Kennzeichnung.
- Prüfung auf Korrosion.
- Prüfung der Funktion.
- Dichtheitsprüfung mit 1-fachem Betriebsdruck über 12 Stunden ausführen.
- Verschlissene und defekte Bauteile sind sofort auszutauschen, mit diesen Arbeiten ist in jedem Fall ein autorisiertes Fachunternehmen zu beauftragen.
- Das Design der Ventile erfolgte gemäß ISO 10297. Darin enthalten ist ein Typtest, bei dem das Ventil einem Lebensdauertest von bis zu 2000 Zyklen unterzogen wurde. Nach 2000 Zyklen medienberührte Innenteile austauschen, mit diesen Arbeiten ist in jedem Fall ein autorisiertes Fachunternehmen zu beauftragen.
- Sollten Undichtigkeiten oder übermäßige Korrosion an Entspannungsstationen/ Druckregler oder Ventil festgestellt werden, so sind diese komplett zwischen der nächstmöglichen lösbaren Verbindung ebenfalls durch ein autorisiertes Fachunternehmen auszutauschen.
- Nach dem Wechsel von Komponenten oder Rohrleitungsbaugruppen sind erneut Drucktest auszuführen und zu protokollieren.

8.4. MASSNAHMEN NACH ERFOLGTER WARTUNG

NACH BEENDIGUNG DER WARTUNGSARBEITEN UND VOR NEUINBETRIEBNAHME DER ENTSPANNUNGSSTATION, DES DRUCKREGLER ODER DES VENTILS DIE FOLGENDEN SCHRITTE DURCHFÜHREN:

1. Sicherstellen, dass alle verwendeten Werkzeuge, Materialien und sonstige Ausrüstungen aus dem Arbeitsbereich entfernt wurden.
2. Arbeitsbereich säubern und eventuell ausgetretene Stoffe wie z. B. Flüssigkeiten, Verarbeitungsmaterial oder Ähnliches entfernen.
3. Sicherstellen, dass alle Sicherheitseinrichtungen des Systems einwandfrei funktionieren.

9. STÖRUNGEN

Im folgenden Kapitel sind mögliche Ursachen für Störungen und die Arbeiten zu ihrer Beseitigung beschrieben. Bei vermehrt auftretenden Störungen müssen die Wartungsintervalle entsprechend der tatsächlichen Belastung verkürzt werden. Bei Störungen, die durch die nachfolgenden Hinweise nicht zu beheben sind, den Hersteller kontaktieren.

9.1. SICHERHEITSHINWEISE FÜR DIE STÖRUNGSBEHEBUNG

Bei Störungen grundsätzlich die Gasversorgung unterbrechen, den Druckregler entspannen und Ventile schließen. Keinesfalls Wartungsarbeiten an Bauteilen unter Druck durchführen.

VERHALTEN BEI STÖRUNGEN:

1. Gasversorgung unterbrechen und sicherstellen.
2. Druckregler entspannen, Ventile schließen.
3. Nur qualifiziertes Personal darf Störungen beseitigen.
4. Ausgangszustand des Geräts wiederherstellen.

Beschreibung	Ursache	Lösung	Ventile	Flaschen- druckregler	Leitungs- druckregler	Entspannungs- stationen
Kein Durchfluss (Eingangsmanometer zeigt Druck an, Ausgangsmanometer nicht)	Druckregler geschlossen	Druckregler langsam öffnen Spülventil schließen		<input checked="" type="checkbox"/>	<input checked="" type="checkbox"/>	<input checked="" type="checkbox"/>
Kein Durchfluss (beide Manometer zeigen Null)	Flaschenventil geschlossen Brauchgasventil geschlossen Druckregler geschlossen Wendel/ Schlauch nicht angeschlossen	Inbetriebnahme gemäß Punkt 6. Installation und Erstinbetriebnahme		<input checked="" type="checkbox"/>	<input checked="" type="checkbox"/>	<input checked="" type="checkbox"/>
Kein Durchfluss	Druckregler geschlossen	Druckregler langsam öffnen	<input checked="" type="checkbox"/>			
Hinterdruckanstieg & Abblaseventil öffnet	Leckage im Druckreglersitz	Reparatur durch Hersteller		<input checked="" type="checkbox"/>	<input checked="" type="checkbox"/>	<input checked="" type="checkbox"/>
Leichter Hinterdruckanstieg & Abblaseventil öffnet nicht	Vordruckabfall	Kein Fehler, normaler Betriebszustand		<input checked="" type="checkbox"/>	<input checked="" type="checkbox"/>	<input checked="" type="checkbox"/>
Leichter Hinterdruckanstieg	Unterschied zwischen Fließdruck (mit Durchfluss) und Staudruck (kein Durchfluss)	Kein Fehler, normaler Betriebszustand		<input checked="" type="checkbox"/>	<input checked="" type="checkbox"/>	<input checked="" type="checkbox"/>
Leichter Hinterdruckabfall	Unterschied zwischen Staudruck (kein Durchfluss) und Fließdruck (mit Durchfluss)	Kein Fehler, normaler Betriebszustand		<input checked="" type="checkbox"/>	<input checked="" type="checkbox"/>	<input checked="" type="checkbox"/>

Beschreibung	Ursache	Lösung	Ventile	Flaschen- druckregler	Leitungs- druckregler	Entspannungs- stationen
Starker Hinter- druckabfall	Erforderli- chen Durch- fluss für Druckregler zu groß	Auswahl eines neuen Druck- reglers für geforderten Druck & Durchfluss		<input checked="" type="checkbox"/>	<input checked="" type="checkbox"/>	<input checked="" type="checkbox"/>
Starker Hinter- druckabfall	Undichte Prozess- gasleitung	Prozess- gasleitung überprüfen		<input checked="" type="checkbox"/>	<input checked="" type="checkbox"/>	<input checked="" type="checkbox"/>
Ausgangs- druck zu hoch	Falsche Regler Ein- stellung	Druckregler Einstellung anpassen, nachregeln, Wartung		<input checked="" type="checkbox"/>	<input checked="" type="checkbox"/>	<input checked="" type="checkbox"/>
Hinterdruck steigt sofort bis Anschlag an oder Hinterdruck steigt langsam über den eingestellten Wert hinaus an & Abblaseven- til bläst ab	Verschmut- zung oder Beschädi- gung des Sitzes „Steiger“	Reparatur durch Herstel- ler		<input checked="" type="checkbox"/>	<input checked="" type="checkbox"/>	<input checked="" type="checkbox"/>
Geräusche während des Betriebes	Erforderli- cher Durch- fluss für Druckregler zu hoch	Auswahl eines neuen Druck- reglers für ge- forderten Druck & Durchfluss		<input checked="" type="checkbox"/>	<input checked="" type="checkbox"/>	<input checked="" type="checkbox"/>
Keine Veränderung der Ventilsteu- erung trotz drehen des Handrades	Handrad defekt durch zu hohes Drehmo- ment, Spin- del defekt, Gewinde defekt	Reparatur durch Herstel- ler	<input checked="" type="checkbox"/>	<input checked="" type="checkbox"/>	<input checked="" type="checkbox"/>	<input checked="" type="checkbox"/>
Feuchtigkeit auf Druck- regler (KEIN Tau, Regen oder Schnee)	Druckregler entzieht der Umwelt En- ergie durch Gasentspan- nung	Kein Fehler Normaler Be- triebszustand		<input checked="" type="checkbox"/>	<input checked="" type="checkbox"/>	<input checked="" type="checkbox"/>

Beschreibung	Ursache	Lösung	Ventile	Flaschen- druckregler	Leitungs- druckregler	Entspannungs- stationen
Eisbildung auf Druckregler (KEIN Tau, Regen oder Schnee)	Druckregler entzieht der Umwelt Energie durch Gasentspannung, limitierte Lieferleistung der Druckgasbehälter z. Bsp. bei N ₂ O, CO ₂	Kein Fehler Normaler Betriebszustand ACHTUNG: auf Funktionalität der Kontaktmanometer achten, Anzahl der Druckgasbehälter erhöhen		☑	☑	☑

Diese Tabelle erhebt keinen Anspruch auf Vollständigkeit. Bei Fragen und Unklarheiten kontaktieren Sie bitte den Hersteller.

10. DEMONTAGE UND ENTSORGUNG

Nachdem das Gebrauchsende des Geräts erreicht ist, muss das Gerät demontiert und einer umweltgerechten Entsorgung zugeführt werden.

10.1. SICHERHEITSHINWEISE FÜR DIE DEMONTAGE UND ENTSORGUNG

WARNUNG!

- **Verletzungsgefahr bei unsachgemäßer Demontage!**
- Gespeicherte Restenergien, kantige Bauteile, Spitzen und Ecken am und im Gerät oder an den benötigten Werkzeugen können Verletzungen verursachen.
- Vor Beginn der Arbeiten für ausreichenden Platz sorgen.
- Mit offenen scharfkantigen Bauteilen vorsichtig umgehen.
- Auf Ordnung und Sauberkeit am Arbeitsplatz achten!
- Lose aufeinander- oder umherliegende Bauteile und Werkzeuge sind Unfallquellen.
- Bauteile fachgerecht demontieren. Teilweise hohes Eigengewicht der Bauteile beachten. Falls erforderlich, Hebezeuge einsetzen.
- Bauteile sichern, damit sie nicht herabfallen oder umstürzen.
- Bei Unklarheiten den Hersteller hinzuziehen.

10.2. DEMONTAGE

VOR BEGINN DER DEMONTAGE

Flaschendruckregler durch Drehen des Handrades gegen den Uhrzeigersinn schließen.
 Flaschendruckregler entspannen und sicherstellen, dass sich kein Prozessgas mehr im Inneren befindet.
 System entspannen und wenn nötig mit einem Inertgas spülen.
 Betriebs- und Hilfsstoffe sowie restliche Verarbeitungsmaterialien entfernen und umweltgerecht entsorgen.
 Anschließend Baugruppen und Bauteile fachgerecht reinigen und unter Beachtung geltender örtlicher Arbeitsschutz- und Umweltschutzvorschriften zerlegen.



VORSICHT!

- **System nicht öffnen, wenn sich noch giftiges und/ oder korrosives Gas darin befindet!**

10.3. ENTSORGUNG

Sofern keine Rücknahme- oder Entsorgungsvereinbarung getroffen wurde, zerlegte Bestandteile der Wiederverwertung zuführen:

Metalle verschrotten.

Kunststoffelemente zum Recycling geben.

Übrige Komponenten nach Materialbeschaffenheit sortiert entsorgen.

Gemäß dem Artikel 33 der REACH-Verordnung verpflichtet sich die Gesellschaft GCE, s.r.o. als verantwortungsbewusster Hersteller, alle Kunden darüber zu informieren, wenn die Materialien 0,1% oder mehr der auf der Liste aufgeführten besonders besorgniserregenden Stoffe (SVHC) enthalten.

Die am häufigsten für Körper und andere Messingbauteile verwendeten Messinglegierungen enthalten 2-3% Blei (Pb), EG-Nr. 231-468-6, CAS-Nr. 7439-92-1. Bei normalem Gebrauch wird Blei nicht in das Gas oder in die Umwelt freigesetzt. Am Ende seiner Lebensdauer muss das Erzeugnis von einem zugelassenen Metallrecyclingunternehmen entsorgt werden, um eine wirksame Entsorgung des Materials bei minimalen Auswirkungen auf Umwelt und Gesundheit zu gewährleisten.

Bis zum heutigen Tag liegen uns keine Informationen vor, die darauf hindeuten, dass Materialien mit SVHC-Konzentrationen über 0,1% in GCE-Produkten enthalten sind.



HINWEIS!

- **Gefahr für die Umwelt durch falsche Entsorgung!**
- Durch falsche Entsorgung können Gefahren für die Umwelt entstehen.
- Elektroschrott, Elektronikkomponenten, Schmier- und andere Hilfsstoffe von zugelassenen Fachbetrieben entsorgen lassen.
- Im Zweifel Auskunft zur umweltgerechten Entsorgung bei der örtlichen Kommunalbehörde oder speziellen Entsorgungsfachbetrieben einholen.

www.linde.com

Diese Artikel wurden im Auftrag von Linde hergestellt.

SOMMAIRE

1. GÉNÉRALITÉS.....	60
1.1. INFORMATIONS SUR CE MODE D'EMPLOI.....	60
1.2. INFORMATIONS SUR LE RÉGULATEUR DE PRESSION BOUTEILLE.....	60
1.3. EXPLICATION DES SYMBOLES.....	61
1.4. LIMITATION DE LA RESPONSABILITÉ.....	62
1.5. PROPRIÉTÉ INTELLECTUELLE.....	62
1.6. PIÈCES DE RECHANGE.....	62
1.7. CONDITIONS DE GARANTIE.....	63
1.8. SERVICE CLIENT.....	63
2. SÉCURITÉ.....	63
2.1. UTILISATION PRÉVUE.....	63
2.1.1. MODIFICATION STRUCTURELLE DU RÉGULATEUR DE PRESSION DE BOUTEILLE.....	63
2.2. RISQUES FONDAMENTAUX.....	63
2.3. RESPONSABILITÉ DE L'EXPLOITANT.....	65
2.4. PERSONNEL.....	65
2.4.1. QUALIFICATIONS.....	65
2.4.2. PERSONNEL NON HABILITÉ.....	66
2.4.3. FORMATION.....	66
2.5. ÉQUIPEMENT DE PROTECTION INDIVIDUELLE.....	66
2.6. PROCÉDURE EN CAS D'INCENDIE ET D'ACCIDENTS.....	67
2.7. PROTECTION DE L'ENVIRONNEMENT.....	67
2.8. SIGNALISATION.....	67
2.8.1. SIGNAL D'OBLIGATION.....	68
2.8.2. SIGNAL D'INTERDICTION.....	68
2.8.3. SIGNAL D'AVERTISSEMENT.....	68
3. CARACTÉRISTIQUES TECHNIQUES.....	69
3.1. SCHEMA – VERSION SIMPLE ETAGE.....	69
3.2. SCHEMA – VERSION DOUBLE ETAGE.....	71
3.3. DIMENSIONS.....	72
3.4. INFORMATIONS GÉNÉRALES.....	74
3.5. CONNEXIONS.....	74
3.6. VALEURS DE PERFORMANCE.....	74
3.7. CONDITIONS ENVIRONNEMENTALES D'UTILISATION.....	74
4. STRUCTURE ET FONCTIONNEMENT.....	75
4.1. VERSION EN LAITON CHROMÉ.....	75
4.2. DESCRIPTION.....	75
5. TRANSPORT, EMBALLAGE ET STOCKAGE.....	75
5.1. CONSIGNES DE SÉCURITÉ POUR LE TRANSPORT.....	75
5.2. CONTRÔLE DU TRANSPORT.....	76
5.3. EMBALLAGE.....	76
5.4. STOCKAGE.....	76
6. INSTALLATION ET PREMIÈRE MISE EN SERVICE.....	76
6.1. CONSIGNES DE SÉCURITÉ POUR L'INSTALLATION ET PREMIÈRE MISE EN SERVICE.....	76
6.2. PRÉPARATION.....	76
6.3. INSTALLATION.....	77
6.3.1. PRÉPARATION.....	77
6.3.2. RACCORDEMENT DE LA BOUTEILLE DE GAZ.....	77
6.4. CONDITIONS PRÉALABLES À LA MISE EN SERVICE INITIALE.....	78
6.5. MISE EN SERVICE INITIALE.....	78
6.5.1. REMPLISSAGE DE LA CONDUITE DE GAZ DE PROCÉDÉ AVEC DU GAZ DE PROCÉDÉ.....	78
6.5.2. CHANGEMENT DE BOUTEILLE.....	79
6.5.3. MISE HORS SERVICE.....	79
6.6. VÉRIFICATIONS.....	80
7. FONCTIONNEMENT.....	80

8. ENTRETIEN.....	80
8.1. CONSIGNES DE SÉCURITÉ POUR L'ENTRETIEN	80
8.2. PROGRAMME D'ENTRETIEN	80
8.3. TRAVAUX D'ENTRETIEN.....	81
8.3.1. NETTOYAGE.....	81
8.3.2. CONDITIONS PRÉALABLES À L'ENTRETIEN.....	81
8.3.3. PERFORMANCES D'ENTRETIEN NÉCESSAIRES	81
8.4. MESURES APRÈS LA RÉALISATION DE L'ENTRETIEN.....	82
9. DYSFONCTIONNEMENTS	82
9.1. INSTRUCTIONS DE SÉCURITÉ POUR LE DÉPANNAGE	82
10. DÉMONTAGE ET MISE AU REBUT	84
10.1. CONSIGNES DE SÉCURITÉ POUR LE DÉMONTAGE ET LA MISE AU REBUT.....	84
10.2. DÉMONTAGE.....	85
10.3. MISE AU REBUT.....	85

1. GÉNÉRALITÉS

1.1. INFORMATIONS SUR CE MODE D'EMPLOI

Ces instructions s'appliquent aux régulateurs de pression de bouteille simple et double étage de type :

- C12hv
- C200hv

Les régulateurs de pression de bouteille sont conçus pour être raccordés directement aux bouteilles de gaz afin de réduire la pression de la bouteille à de faibles plages de pression de sortie. Les raccords des bouteilles ont des filetages différents selon la norme correspondante (DIN 477, CGA, AFNOR, etc.), en fonction du type de gaz. Veuillez le noter.

Ce manuel permet une utilisation sûre et efficace du régulateur de pression bouteille.

Le manuel fait partie intégrante de l'appareil et doit être conservé à proximité immédiate de l'appareil et accessible au personnel à tout moment. Le personnel doit avoir lu attentivement et compris ces instructions avant de commencer toute opération. La condition de base pour travailler en toute sécurité est le respect de toutes les consignes de sécurité et les instructions de manipulation indiquées dans ce manuel. En outre, les règlements locaux de prévention des accidents et les règlements généraux de sécurité pour la zone d'utilisation de l'appareil s'appliquent. Les illustrations de ce manuel sont destinées à une compréhension de base et peuvent différer de la configuration réelle.

1.2. INFORMATIONS SUR LE RÉGULATEUR DE PRESSION BOUTEILLE

Les régulateurs de bouteilles de ce type ne peuvent être utilisés qu'avec les gaz définis comme gaz standard. La pression d'entrée maximale pour le C12hv est de 12 bar maximum et pour le C200hv de 200 bar maximum.

Ligne de produits	(Pureté 6.0 Laiton chromé)	(Pureté 6.0 Acier inoxydable)
Avec siège de la soupape de décharge en caoutchouc synthétique fluorocarboné	<ul style="list-style-type: none"> • Gaz utilisables (y compris leurs mélanges): <ul style="list-style-type: none"> • Haute Pureté • Inerte • Inflammable • Comburant • O₂ • Gaz NON utilisables (y compris leurs mélanges): <ul style="list-style-type: none"> • Corrosif • Toxique • CO₂, N₂O 	<ul style="list-style-type: none"> • Gaz utilisables (y compris leurs mélanges): <ul style="list-style-type: none"> • Haute Pureté • Inerte • Inflammable • Comburant (jusqu'à 200 bar) • Corrosif (Veuillez nous contacter si vous avez des questions) • Toxique (Veuillez nous contacter si vous avez des questions) • Convient pour l'O₂ jusqu'à 200 bar • Gaz NON utilisables (y compris leurs mélanges) : <ul style="list-style-type: none"> • O₂ au-dessus de 200 bar • CO₂, N₂O • NH₃, SO₂, H₂S

<p>Avec siège de la soupape de décharge en caoutchouc EPDM</p>	<ul style="list-style-type: none"> • Gaz utilisables (y compris leurs mélanges) : <ul style="list-style-type: none"> • Haute Pureté • Inerte • Inflammable • Comburant • CO₂, N₂O • Gaz NON utilisables (y compris leurs mélanges) : <ul style="list-style-type: none"> • Corrosif • Toxique • O₂ <p>(proportion supérieure à 21 %)</p> <ul style="list-style-type: none"> • Hydrocarbures 	<ul style="list-style-type: none"> • Gaz utilisables (y compris leurs mélanges) : <ul style="list-style-type: none"> • Haute Pureté • Inerte • Inflammable • Comburant • Corrosif (Veuillez nous contacter si vous avez des questions) • Toxique (Veuillez nous contacter si vous avez des questions) • CO₂, N₂O • NH₃, SO₂, H₂S • Gaz NON utilisables (y compris leurs mélanges) : <ul style="list-style-type: none"> • O₂ <p>(proportion supérieure à 21 %)</p> <ul style="list-style-type: none"> • Hydrocarbures
---	--	--

Ce tableau ne prétend pas être exhaustif. Si vous avez des questions ou des incertitudes, veuillez contacter le fabricant.




Il existe des régulateurs de pression bouteille simple et double étage avec une membrane métallique dans une conception à 6 ports. Fabriqué et approuvé selon la norme ISO7291, y compris le test de combustion de l'oxygène (voir tableau paragraphe 1.2). Le régulateur de pression bouteille se compose d'un corps de régulateur de pression, de manomètres d'entrée et de sortie, d'un raccord de bouteille et d'une soupape de décharge. Il est disponible avec différents raccords et/ou avec différents composants supplémentaires, p. ex. :

- Vanne d'arrêt à la sortie (A)
- Vanne de régulation à la sortie (B)
- Soupape de purge des gaz étrangers à l'entrée (TP).
- Soupape de purge des gaz étrangers à l'entrée et vanne d'arrêt à la sortie (TPA) uniquement dans la version en acier inoxydable.
- Soupape de purge des gaz étrangers à l'entrée et vanne de régulation à la sortie (TPB) uniquement dans la version en acier inoxydable.

Les versions C200/1 TP, C200/1 TPA, C200/1 TPB, C200/2 TP, C200/2 TPA et C200/2 TPB permettent de purger le régulateur de pression avec un gaz étranger. Elles sont donc particulièrement adaptées aux gaz corrosifs et toxiques.

Les régulateurs de pression de bouteilles avec dispositif de purge permettent de sécher le robinet ou d'éliminer l'air atmosphérique humide qui a pu pénétrer dans le régulateur de pression avant la mise en service ou lors du changement de bouteille, et de purger le robinet des gaz toxiques, corrosifs ou spontanément inflammables avant sa mise hors service.

1.3. EXPLICATION DES SYMBOLES

<p>CONSIGNES DE SÉCURITÉ</p>	<p>Les consignes de sécurité sont signalées par des symboles dans ce manuel. Les consignes de sécurité sont introduites par des mots de signalisation exprimant l'ampleur du danger.</p>
	<p>DANGER!</p> <p>Cette combinaison de symbole et de mot de signalisation indique une situation dangereuse imminente qui, si elle n'est pas évitée, entraînera la mort ou des blessures graves.</p>
	<p>AVERTISSEMENT !</p> <p>Cette combinaison de symbole et de mot de signalisation indique une situation possiblement dangereuse qui, si elle n'est pas évitée, peut entraîner la mort ou des blessures graves.</p>
	<p>ATTENTION !</p> <p>Cette combinaison de symbole et de mot de signalisation indique une situation possiblement dangereuse qui, si elle n'est pas évitée, peut entraîner des blessures bénignes ou légères.</p>

**REMARQUE !**

Cette combinaison de symbole et de mot de signalisation indique une situation potentiellement dangereuse qui, si elle n'est pas évitée, peut entraîner des dommages matériels et environnementaux.

**CONSEILS ET RECOMMANDATIONS**

Ce symbole met en évidence des conseils et des recommandations utiles ainsi que des informations pour un fonctionnement efficace et sans faille.

REMARQUES SPÉCIALES

Les symboles suivants sont utilisés dans les consignes de sécurité pour attirer l'attention sur des dangers particuliers.

**DANGER!**

Cette combinaison de symbole et de mot de signalisation indique une situation dangereuse imminente due au courant électrique.

Le non-respect de cette indication peut entraîner des blessures graves ou mortelles.

1.4. LIMITATION DE LA RESPONSABILITÉ

Toutes les informations et remarques contenues dans ce manuel ont été compilées en tenant compte des normes et réglementations applicables, de l'état de la technique, de nos longues années de connaissances et d'expérience.

Le fabricant n'accepte aucune responsabilité pour les dommages dans les cas suivants :

- le non-respect de ces instructions
- en cas d'utilisation non conforme à l'usage prévu
- recours à du personnel non formé
- modifications techniques et structurelles de l'ouvrage non autorisées
- utilisation de pièces de rechange non approuvées
- fonctionnement de l'unité sous pression avec des dispositifs de sécurité défectueux ou des dispositifs de sécurité et de protection non montés ou ne fonctionnant pas correctement
- surveillance insuffisante des équipements, des pièces de fixation et d'étanchéité qui sont sujets à l'usure
- réparations mal exécutées
- plage de température spécifiée dans la fiche technique non respectée (trop haute ou trop basse) pendant le fonctionnement ou le stockage.
- catastrophes dues aux effets des corps étrangers et à la force majeure

Le contenu réel de la livraison peut différer des explications et illustrations présentées ici dans le cas de versions spéciales, du recours à des options de commande supplémentaires ou en raison des dernières modifications techniques. Les obligations convenues dans le contrat de livraison, les conditions générales ainsi que les conditions de livraison du fabricant et les dispositions légales en vigueur au moment de la conclusion du contrat sont applicables.

1.5. PROPRIÉTÉ INTELLECTUELLE

Le contenu de ce manuel est protégé par des droits d'auteur. Son utilisation est autorisée dans le cadre de l'utilisation du dispositif. Toute autre usage est interdit sauf autorisation écrite du fabricant.

1.6. PIÈCES DE RECHANGE**AVERTISSEMENT !**

- Risque de blessure dû à l'utilisation de pièces de rechange incorrectes !
- L'utilisation de pièces de rechange incorrectes ou défectueuses peut entraîner des risques pour le personnel, des dommages, des dysfonctionnements ou une panne totale.
- N'utilisez que des pièces de rechange originales du fabricant ou des pièces de rechange approuvées par le fabricant.
- En cas de doute, contactez toujours le fabricant.



PERTE DE GARANTIE !

- L'utilisation de pièces de rechange non approuvées annule la garantie du fabricant.

1.7. CONDITIONS DE GARANTIE

In principle, our "General Terms and Conditions of Sale and Delivery" shall apply. These are available to the customer at the latest since the conclusion of the contract.

En principe, nos "Conditions générales de vente et de livraison" s'appliquent.

Ceux-ci sont à la disposition du client au plus tard à la conclusion du contrat.

1.8. SERVICE CLIENT

Nous sommes toujours intéressés par les informations et les expériences qui résultent de l'utilisation de nos produits et qui peuvent être précieuses pour les améliorer.

FR

2. SÉCURITÉ

Cette section donne un aperçu de tous les aspects importants de la sécurité pour la protection des individus et pour un fonctionnement sûr et sans faille. Les sections relatives aux différentes phases de la vie du produit contiennent d'autres consignes de sécurité liées aux différentes tâches.

2.1. UTILISATION PRÉVUE

Les régulateurs de pression des bouteilles de type C12hv et C200hv ne doivent être utilisés que pour les gaz et les pressions spécifiés tout en maintenant les températures spécifiées. Le débit volumique nominal est de 20 m³/h (air comprimé) selon la norme ISO 2503. L'utilisation conforme comprend également le respect de toutes les informations et remarques de ce mode d'emploi et le respect des travaux de vérification et d'entretien, ainsi que le respect de la plaque signalétique et des fiches techniques. Toute utilisation au-delà de l'usage prévu ou toute autre utilisation est considérée comme une utilisation non conforme.



AVERTISSEMENT !

- ***Danger en cas d'utilisation non conforme !***
- L'utilisation non conforme du régulateur de pression bouteille peut entraîner des situations dangereuses.
- Ne jamais utiliser le régulateur de pression de bouteille comme un élément de contrôle du débit ou comme une vanne d'arrêt.
- N'utilisez jamais le régulateur de pression bouteille pour des liquides.

2.1.1. MODIFICATION STRUCTURELLE DU RÉGULATEUR DE PRESSION DE BOUTEILLE

N'apportez pas de modifications, d'ajouts ou de transformations au régulateur de pression bouteille sans l'autorisation écrite du fabricant.

Les régulateurs de pression bouteille qui ne sont pas en parfait état doivent être remplacés immédiatement.

Nettoyage des appareils à gaz et élimination des résidus

Les régulateurs de pression bouteille usagés en attente de réparation doivent être purgés avec un gaz inerte (azote).

Génération de bruit

Dans certains cas, l'interaction défavorable de certaines variables d'influence, comme le débit et la plage de pression, mais aussi le type de gaz lui-même, peut entraîner la génération de bruit. Si un tel cas se présente, veuillez contacter le fabricant.

2.2. RISQUES FONDAMENTAUX

La section suivante énumère les risques résiduels qui peuvent être liés à l'appareil même s'il est utilisé comme prévu. Pour réduire les risques de dommages corporels et matériels et éviter les situations dangereuses, il convient de respecter les consignes de sécurité énumérées ici et les consignes de sécurité des autres sections de ce mode d'emploi.

**DANGER !**

- **Les gaz peuvent représenter un danger mortel !**
- Les gaz peuvent déplacer l'air et donc l'oxygène qu'il contient. Cela peut conduire à la mort par suffocation. L'oxygène forme une atmosphère hautement oxydante. Les gaz inflammables peuvent former une atmosphère explosive.

PAR CONSÉQUENT :

- Assurez une ventilation suffisante !
- Installation uniquement par une entreprise spécialisée certifiée !
- Respectez les directives ATEX

**ATTENTION !**

- **Des dangers peuvent provenir de l'environnement !**
La condensation et/ou le givre peuvent provoquer des défauts dans l'appareil.

PAR CONSÉQUENT :

- Respectez les plages de température !
- Protégez l'appareil contre les liquides provenant de l'extérieur !
- Protégez l'appareil contre la poussière provenant de l'extérieur !
- Installez l'appareil à l'abri des intempéries !
- Fixez correctement la mise à la terre disponible !

**AVERTISSEMENT !**

- **Risque d'accident lors de l'utilisation d'huile et de graisse !**
Les huiles et les graisses ne doivent jamais être utilisées dans les systèmes de contrôle de la pression. Les huiles et les graisses sont hautement inflammables. Les huiles et les graisses sont hautement inflammables et réagissent violemment avec certains gaz comprimés.

PAR CONSÉQUENT :

- Évitez d'utiliser de l'huile ou de la graisse !

**AVERTISSEMENT !**

- **Risque d'accident dû à l'énergie stockée dans le système !**
Une manipulation incorrecte peut entraîner le déplacement incontrôlé de pièces sous pression ou de pièces isolées de celles-ci et provoquer des blessures graves, voire mortelles.
Une manipulation incorrecte peut entraîner une fuite de gaz des parties sous pression et provoquer des blessures graves, voire mortelles.

AVANT DE COMMENCER TOUTE ACTIVITÉ AVEC DES PIÈCES SOUS PRESSION :

- Installation uniquement par une entreprise spécialisée certifiée !
- Portez des lunettes de protection !
- Portez des protections auditives !
- Assurez-vous que le système n'est pas sous pression !
- Veillez à ce que le système ne stocke plus d'énergie !
- Veillez à ce que du gaz ne puisse pas s'échapper involontairement !
- Veillez à ce que les pièces défectueuses soient immédiatement remplacées par du personnel qualifié !

**AVERTISSEMENT !**

- **Risque d'accident !**
Une installation incorrecte peut entraîner des blessures graves, voire mortelles.

PAR CONSÉQUENT :

- Empêchez les dispositifs de tomber pendant l'installation !
- Ne projetez pas l'équipement !

Les pièces sous pression ne doivent être utilisées que pour l'usage prévu.

En cas de dommage mécanique sur la tuyauterie et les raccords, le système doit être mis dans un état sécurisé (bloquer la section concernée).

Les défauts susceptibles d'affecter la sécurité doivent être corrigés immédiatement par du personnel formé et qualifié ou par le fabricant.

Les gaz, en particulier, risquent de provoquer un défaut dans le régulateur de pression de la conduite. Cela se manifeste soit par l'absence de débit de gaz en aval du régulateur de pression, soit par une augmentation soudaine de la contre-pression. Si le régulateur de pression est défectueux, le système doit être mis hors service immédiatement. L'entreprise responsable de l'entretien doit être informée. Ne fermez jamais les conduites de purge.

2.3. RESPONSABILITÉ DE L'EXPLOITANT

EXPLOITANT

L'exploitant est la personne qui exploite elle-même l'appareil à des fins commerciales ou économiques ou le met à la disposition d'un tiers pour utilisation/application et assume la responsabilité légale du produit pour la protection de l'utilisateur, du personnel ou des tiers pendant l'exploitation.

FR

OBLIGATIONS DE L'EXPLOITANT

L'appareil est utilisé dans le secteur commercial. L'exploitant de l'unité est donc soumis aux obligations légales en matière de sécurité du travail.

Outre les consignes de sécurité figurant dans ce mode d'emploi, il convient de respecter les règles de sécurité, de prévention des accidents et de protection de l'environnement applicables au domaine d'utilisation de l'appareil.

LES DISPOSITIONS SUIVANTES S'APPLIQUENT EN PARTICULIER :

- L'exploitant doit s'informer sur les dispositions applicables en matière de santé et de sécurité au travail déterminer en outre, dans le cadre d'une évaluation des risques, les dangers qui résultent des conditions de travail spécifiques au lieu d'utilisation de l'appareil. Il doit les mettre en œuvre sous la forme d'un mode d'emploi pour l'exploitation de l'appareil.
- Pendant toute la durée d'utilisation de l'appareil, l'exploitant doit vérifier si les instructions d'utilisation qu'il a rédigées correspondent à l'état actuel de la réglementation et, si nécessaire, les adapter.
- L'exploitant doit réglementer et définir clairement les responsabilités en matière d'installation, d'exploitation, de dépannage, de maintenance et de nettoyage.
- L'exploitant doit s'assurer que toutes les personnes manipulant l'appareil ont lu et compris ces instructions. En outre, il doit former le personnel à intervalles réguliers et l'informer des dangers.
- L'exploitant doit fournir au personnel l'équipement de protection requis et donner des instructions contraignantes pour le port de l'équipement de protection requis.

En outre, l'exploitant est responsable de s'assurer que la fiabilité technique totale du système est garantie à tout moment.

PAR CONSÉQUENT, LES CONDITIONS SUIVANTES S'APPLIQUENT :

- L'exploitant doit s'assurer du respect des intervalles d'entretien spécifiés dans ces instructions.
- L'exploitant doit s'assurer que tous les dispositifs de sécurité sont régulièrement vérifiés pour leur fiabilité fonctionnelle et leur exhaustivité.

2.4. PERSONNEL

2.4.1. QUALIFICATIONS

Les différentes tâches décrites dans ce manuel posent des exigences différentes quant aux qualifications des personnes chargées de ces tâches.



AVERTISSEMENT !

- **Danger en cas de qualification insuffisante du personnel !**
- Les personnes insuffisamment qualifiées ne peuvent pas évaluer les risques lors de la manipulation de l'appareil et s'exposent, ainsi que les autres, à des risques de blessures graves ou mortelles.
- Toutes les opérations doivent être effectuées par du personnel qualifié uniquement !
- Tenez les personnes insuffisamment qualifiées à l'écart de la zone de travail !

Seules les personnes dont on peut attendre qu'elles effectuent ces opérations de manière fiable sont autorisées à effectuer toutes les opérations. Les personnes dont la capacité de réaction est influencée, par exemple par des drogues, de l'alcool ou des médicaments, ne sont pas autorisées.

Dans ce mode d'emploi, les qualifications des personnes énumérées ci-dessous sont indiquées pour les différentes tâches :

INGÉNIEUR GAZ

Dispose d'une formation spécialisée, de compétences, d'une expérience et d'une connaissance des normes et directives pertinentes pour effectuer des tâches sur les systèmes de contrôle de la pression et identifier les risques potentiels. Les ingénieurs gaz sont spécialement formés en fonction du site de production concerné et de ses normes et directives spécifiques.

TECHNICIEN

Dispose d'une formation spécialisée, de compétences et d'une expérience des normes et directives pertinentes pour effectuer des tâches sur les systèmes de contrôle de la pression et identifier les risques potentiels.

2.4.2. PERSONNEL NON HABILITÉ



AVERTISSEMENT !

- **Danger de mort pour les personnes non habilitées en raison des risques dans la zone de danger et de travail !**
- Les personnes non habilitées qui ne répondent pas aux exigences décrites ici ne sont pas conscientes des dangers présents dans la zone de travail. C'est pourquoi les personnes non habilitées courent le risque de se blesser gravement, voire de mourir.
- Tenez les personnes non habilitées à l'écart de la zone de danger et de travail !
- En cas de doute, abordez ces personnes et éloignez-les de la zone de danger et de travail !
- Arrêtez les activités tant que des personnes non habilitées se trouvent dans la zone de danger et de travail !

2.4.3. FORMATION

L'exploitant doit régulièrement former le personnel. Pour un meilleur suivi, il faut établir un protocole d'instruction dont le contenu minimal est le suivant :

- Date de la formation
- Nom de la formation
- Contenu de la formation
- Nom du formateur
- Signatures des participants et du formateur

2.5. ÉQUIPEMENT DE PROTECTION INDIVIDUELLE

Les équipements de protection individuelle servent à protéger les personnes contre les atteintes à leur sécurité et à leur santé au travail.

Le personnel doit porter des équipements de protection individuelle pendant les différentes opérations sur et avec l'appareil, qui sont mentionnées séparément dans les différentes sections de ce mode d'emploi.

APPAREIL RESPIRATOIRE



Protection contre les gaz, vapeurs, poussières et substances nocives similaires. Il convient d'utiliser un équipement de protection respiratoire tel qu'un appareil respiratoire à air comprimé si une teneur en oxygène de plus de 17 % dans l'air ambiant ne peut être garantie et/ou si un dépassement des limites admissibles de substances nocives dans l'air ambiant ne peut être exclu. Les appareils respiratoires autonomes ne peuvent être portés que par des agents spécialement formés.

APPAREIL RESPIRATOIRE AUTONOME



Protection contre les gaz, vapeurs, poussières et substances nocives similaires. Les appareils respiratoires autonomes doivent être utilisés s'il ne peut être exclu que les limites admissibles de substances nocives dans l'air ambiant soient dépassées. Les appareils respiratoires ne peuvent être utilisés qu'avec une teneur en oxygène garantie dans l'air respiré supérieure à 17 %.

LUNETTES DE PROTECTION



Protection contre les projections de particules et les gouttes.

GANTS RÉSISTANTS AUX PRODUITS CHIMIQUES



Protection des mains contre les substances agressives. Il faut veiller à ce que les gants soient bien hermétiques. Jetez les gants conformément à la réglementation en vigueur après leur utilisation.



GANTS DE PROTECTION

Protection des mains contre les agressions mécaniques et les surfaces chaudes et froides.



PORT DE PROTECTIONS AUDITIVES

Protège l'audition des bruits trop forts et prévient les traumatismes auditifs.

FR

2.6. PROCÉDURE EN CAS D'INCENDIE ET D'ACCIDENTS

MESURES PRÉVENTIVES

- Soyez toujours prêt à faire face aux incendies et aux accidents !
- Conservez le matériel de premiers secours (trousse de premiers soins, couvertures, etc.) et le matériel de lutte contre l'incendie en état de marche et à portée de main.
- Sensibilisez le personnel à la notification des accidents, aux premiers secours et aux équipements de secours.
- Maintenez les voies d'accès dégagées pour les véhicules d'urgence.

MESURES EN CAS DE DÉPART DE FEU ET D'ACCIDENT

- S'il n'y a pas de danger pour votre propre santé, secourez les personnes dans la zone de danger.
- Si nécessaire, appliquez les premiers soins.
- Alerte les pompiers et/ou les services de secours.
- En cas d'incendie : S'il n'y a pas de danger pour votre propre santé, combattez le feu avec des équipements de lutte contre l'incendie et continuez à combattre le feu jusqu'à l'arrivée des pompiers.
- Informez la personne responsable du site d'exploitation.
- Dégagez les voies d'accès pour les véhicules d'urgence.
- Informez les services de secours.

2.7. PROTECTION DE L'ENVIRONNEMENT



REMARQUE !

- ***Danger pour l'environnement dû à une manipulation incorrecte de substances dangereuses pour l'environnement !***
- La manipulation non conforme des substances dangereuses pour l'environnement, en particulier leur mise au rebut incorrecte, peut causer des dommages considérables à l'environnement.
- Respectez toujours les instructions ci-dessous concernant la manipulation et la mise au rebut des substances dangereuses pour l'environnement !
- Si des substances dangereuses pour l'environnement sont accidentellement libérées dans l'environnement, prenez immédiatement les mesures appropriées.

En cas de doute, informez les autorités locales compétentes du dommage et demandez que les mesures appropriées soient prises !

2.8. SIGNALISATION



AVERTISSEMENT !

- ***Danger en cas de signalisation illisible !***
- Au fil du temps, les autocollants et les panneaux peuvent se salir ou devenir méconnaissables, de sorte que les dangers ne peuvent être reconnus et que les consignes d'utilisation nécessaires ne peuvent être suivies.
- Cela engendre un risque de blessure.
- Conservez en permanence toutes les consignes de sécurité, de mise en garde et d'utilisation dans un état lisible.
- Remplacez immédiatement les panneaux ou les autocollants endommagés.

2.8.1. SIGNAL D'OBLIGATION

- pas de signal

2.8.2. SIGNAL D'INTERDICTION

- pas de signal

2.8.3. SIGNAL D'AVERTISSEMENT



*MISE EN GARDE CONTRE
LES RISQUES LIÉS AUX
BOUTEILLES DE GAZ*



*MISE EN GARDE CONTRE UNE
ATMOSPHÈRE EXPLOSIVE*



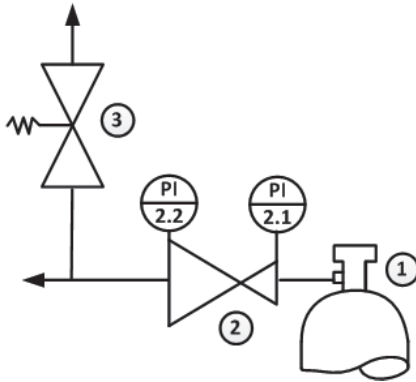
*MISE EN GARDE CONTRE LES
SUBSTANCES TOXIQUES ET/OU
CORROSIVES*

FR

3. CARACTÉRISTIQUES TECHNIQUES

3.1. SCHEMA – VERSION SIMPLE ETAGE

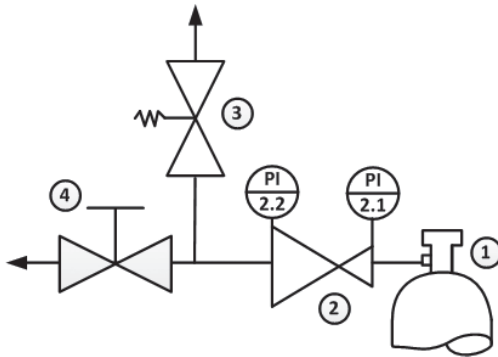
C12HV/1



- 1 – BOUTEILLE DE GAZ
- 2 – RÉGULATEUR DE PRESSION
- 3 – SOUPE DE DÉCHARGE

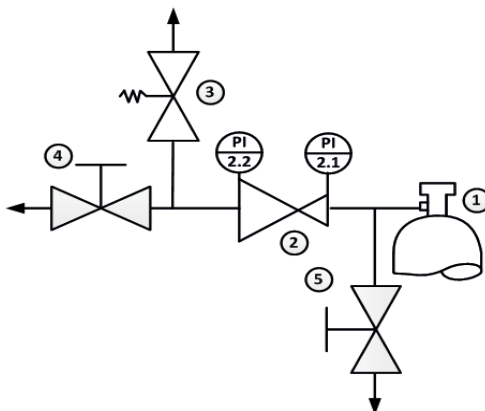
FR

C12HV/1 A



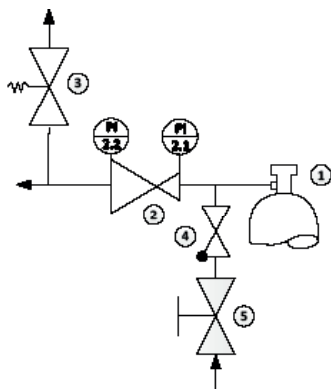
- 1 – BOUTEILLE DE GAZ
- 2 – RÉGULATEUR DE PRESSION
- 3 – SOUPE DE DÉCHARGE
- 4 – VANNE D'ARRÊT

C12HV/1 B



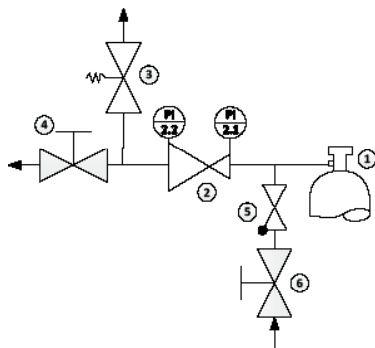
- 1 – BOUTEILLE DE GAZ
- 2 – RÉGULATEUR DE PRESSION
- 3 – SOUPE DE DÉCHARGE
- 4 – VANNE DE RÉGULATION
- 5 – SOUPE DE PURGE

C12HV/1 TP



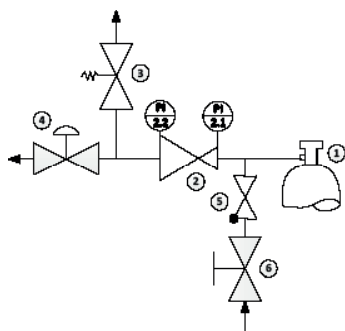
- 1 – BOUTEILLE DE GAZ
- 2 – RÉGULATEUR DE PRESSION
- 3 – SOUPE DE DÉCHARGE
- 4 – CLAPET DE NON RETOUR
- 5 – SOUPE DE PURGE DES GAZ ÉTRANGERS

C12HV/ TPA



- 1 – BOUTEILLE DE GAZ
- 2 – RÉGULATEUR DE PRESSION
- 3 – SOUPE DE DÉCHARGE
- 4 – VANNE D'ARRÊT
- 5 – CLAPET DE NON RETOUR
- 6 – SOUPE DE PURGE DES GAZ ÉTRANGERS

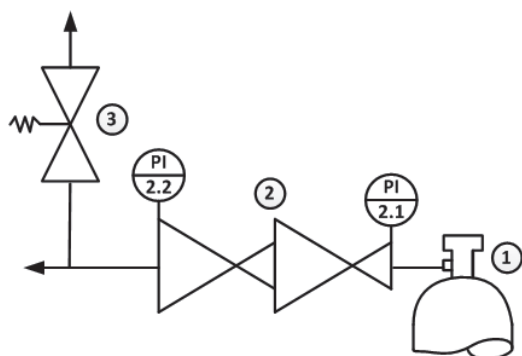
C12HV/ TPB



- 1 – BOUTEILLE DE GAZ
- 2 – RÉGULATEUR DE PRESSION
- 3 – SOUPE DE DÉCHARGE
- 4 – VANNE DE RÉGULATION
- 5 – CLAPET DE NON RETOUR
- 6 – SOUPE DE PURGE DES GAZ ÉTRANGERS

3.2. SCHEMA – VERSION DOUBLE ETAGE

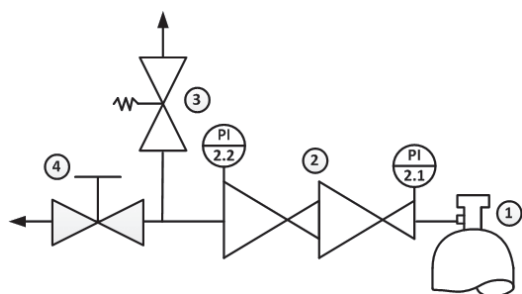
C200HV/2



- 1 – BOUTEILLE DE GAZ
- 2 – RÉGULATEUR DE PRESSION
- 3 – SOUPE DE DÉCHARGE

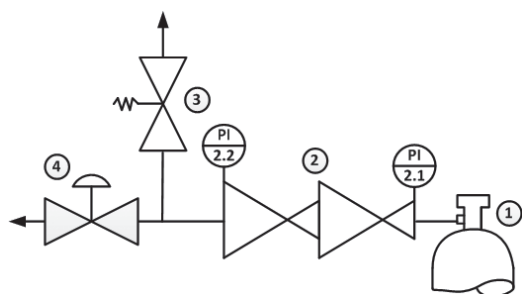
FR

C200HV/2 A



- 1 – BOUTEILLE DE GAZ
- 2 – RÉGULATEUR DE PRESSION
- 3 – SOUPE DE DÉCHARGE
- 4 – VANNE D'ARRÊT

C200HV/2 B

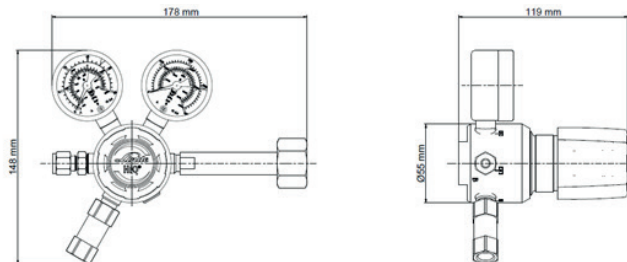


- 1 – BOUTEILLE DE GAZ
- 2 – RÉGULATEUR DE PRESSION
- 3 – SOUPE DE DÉCHARGE
- 4 – VANNE DE RÉGULATION

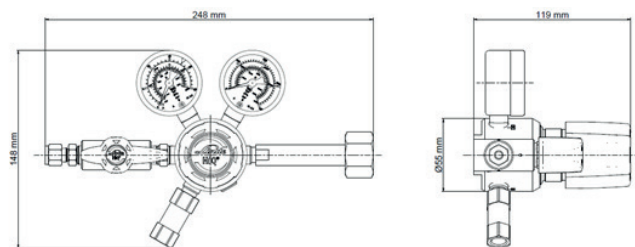
3.3. DIMENSIONS

SIMPLE ETAGE

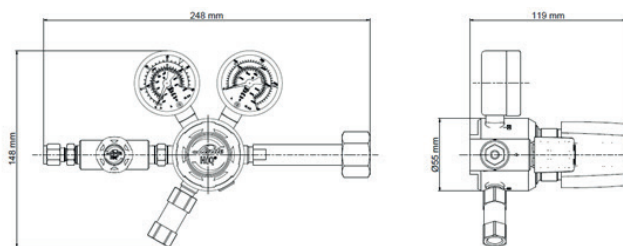
FR



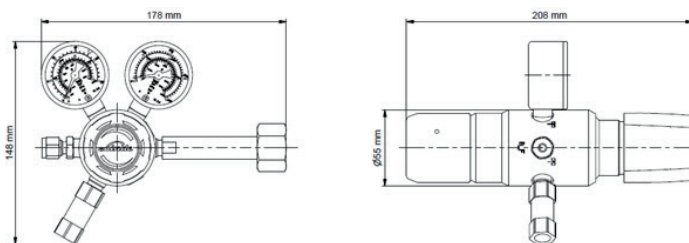
VERSION A | SIMPLE ETAGE



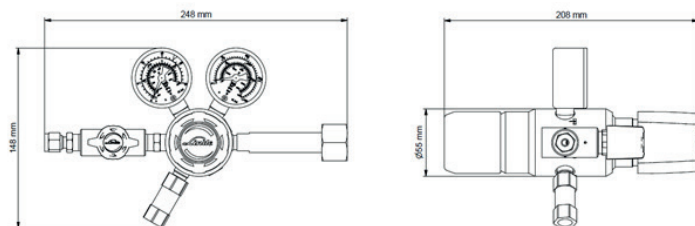
VERSION B | SIMPLE ETAGE



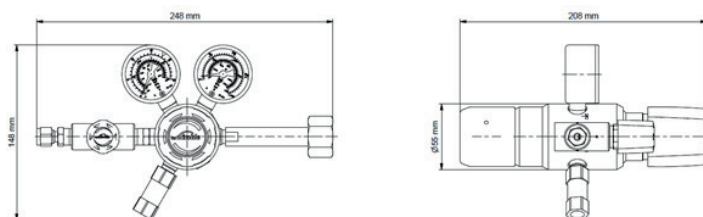
DOUBLE ETAGE



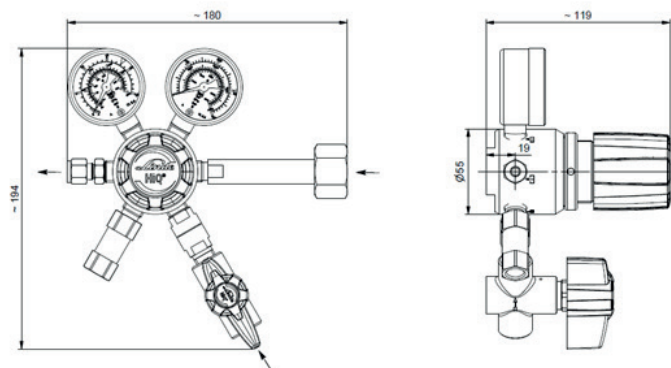
VERSION A | DOUBLE ETAGE



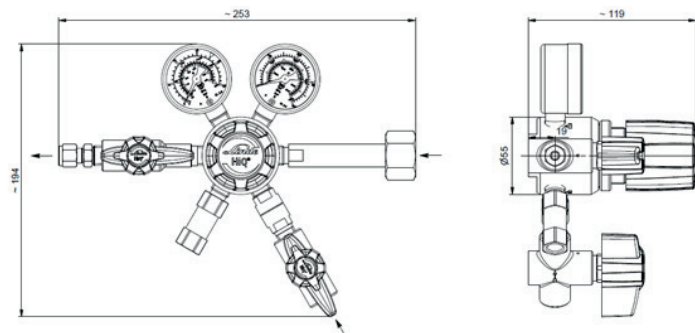
VERSION B | DOUBLE ETAGE



VERSION TP | SIMPLE ETAGE

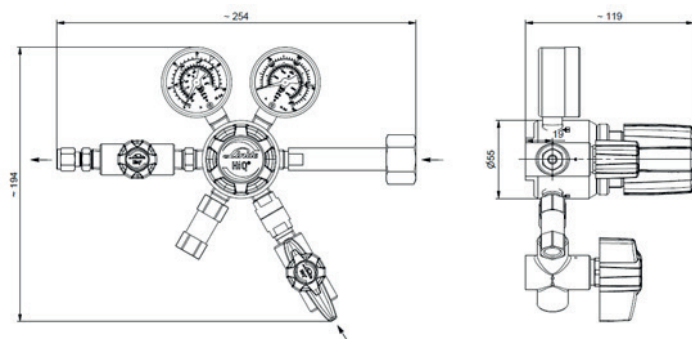


VERSION TPA | SIMPLE ETAGE



FR

VERSION TPB | SIMPLE ETAGE



FR

3.4. INFORMATIONS GÉNÉRALES

Donnée	Simple étage Laiton chromé	Double étage Laiton chromé	Simple étage Acier inoxydable	Double étage Acier inoxydable
Poids max. [kg]	2,5	3,3	4,04	4,93
Longueur [mm]	223	223	263	263
Largeur [mm]	114	202	114	202
Hauteur [mm]	168	168	168	168

3.5. CONNEXIONS

Donnée	Valeur	Unité
Entrée	DIN 477 AFNOR BS CGA Etc.	Connexions bouteilles
Sortie	1/8", 1/4", 3/8", 1/2" 3, 6, 8, 10, 12 4,8; 6,4; 8,0	Bagues de serrage en pouces Bagues de serrage en mm Embout de tuyau en mm (max. 15 bar)
Soupape de décharge	1/4"	Bagues de serrage en pouces

3.6. VALEURS DE PERFORMANCE

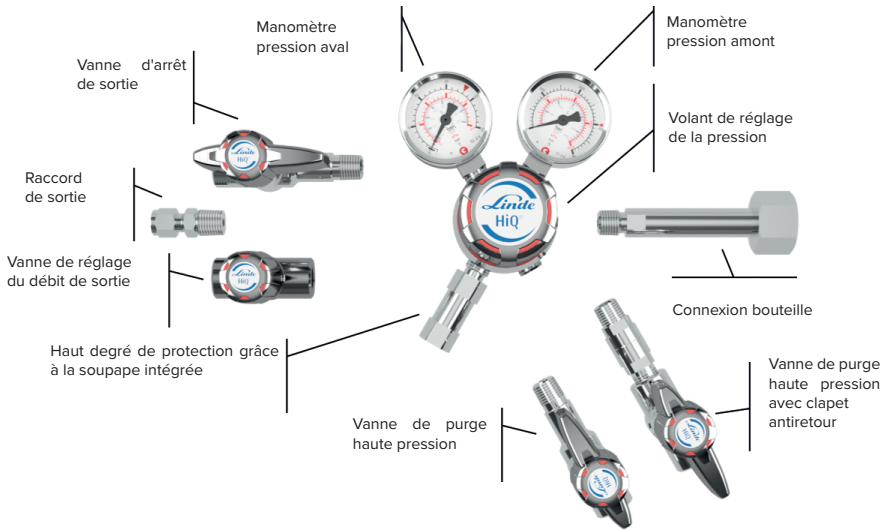
Donnée	Valeur	Unité
Débit nominal (ISO 2503)	20 (Air)	m ³ /h
Pression d'alimentation (max.)	C12hv - 12 bar C200hv - 200 bar	bar
Pression de sortie (max.)	200 (En fonction de la configuration)	bar

3.7. CONDITIONS ENVIRONNEMENTALES D'UTILISATION

Donnée	Valeur	Unité
Plage de température	-20 à +60	°C
Humidité relative (max)	98	%

4. STRUCTURE ET FONCTIONNEMENT

4.1. VERSION EN LAITON CHROMÉ



FR

4.2. DESCRIPTION

Le régulateur de pression de bouteille est actionné manuellement à l'aide de la roue à main. Les pressions d'entrée et de sortie peuvent être lues respectivement sur les manomètres d'entrée et de sortie. Différents composants supplémentaires servent à la manipulation :

- Vanne d'arrêt à la sortie pour couper la pression de sortie.
- Vanne de régulation à la sortie pour régler la pression de sortie.
- Soupape de purge des gaz étrangers avec clapet anti-retour pour purger l'entrée côté haute pression.

5. TRANSPORT, EMBALLAGE ET STOCKAGE



CONSEILS ET RECOMMANDATIONS !

- L'installation et la mise en service initiale doivent idéalement être effectuées par les employés du fabricant ou par des personnes autorisées par le fabricant.
- Néanmoins, il peut arriver que les opérateurs ou le personnel de maintenance de l'exploitant soient chargés de la manipulation des colis au cours de l'installation et de l'utilisation ultérieure. Il est donc essentiel de suivre les instructions données ci-dessous.

5.1. CONSIGNES DE SÉCURITÉ POUR LE TRANSPORT



REMARQUE !

- ***Domages matériels dus à un transport non conforme !***
- En cas de transport non conforme, les pièces transportées peuvent tomber ou se renverser. Cela peut causer des dommages considérables aux biens.
- Lors du déchargement des pièces transportées au moment de la livraison ainsi que pendant le transport en interne, soyez vigilants et respectez les symboles et les instructions figurant sur l'emballage.
- Utilisez uniquement les points de fixation prévus.
- Ne retirez l'emballage que peu de temps avant le montage.

5.2. CONTRÔLE DU TRANSPORT

Vérifiez immédiatement après réception que la livraison est complète et qu'elle ne présente pas de dommages dus au transport.

- Refusez la livraison ou ne l'acceptez qu'avec des réserves.
- Notez l'étendue des dommages sur les documents de transport ou sur le bon de livraison du transporteur.
- Déposez une réclamation.



CONSEILS ET RECOMMANDATIONS !

- Signalez tout défaut dès qu'il est détecté. Les demandes de dommages et intérêts ne peuvent être effectuées que pendant la période de garantie.

5.3. EMBALLAGE

Les différents colis sont emballés en fonction des conditions de transport prévues. Seuls des matériaux respectueux de l'environnement ont été utilisés pour l'emballage.

L'emballage est destiné à protéger les différents composants contre les dommages liés au transport, la corrosion et autres dommages jusqu'au montage. Par conséquent, ne détruisez pas l'emballage et ne le retirez que peu de temps avant le montage.



REMARQUE !

- ***Danger pour l'environnement en cas de mise au rebut incorrecte !***
- Les matériaux d'emballage sont des matières premières précieuses et peuvent, dans de nombreux cas, être réutilisés ou traités et recyclés de manière judicieuse.
- La mise au rebut incorrecte des matériaux d'emballage peut être dangereuse pour l'environnement.
- Mettez au rebut les matériaux d'emballage d'une manière respectueuse de l'environnement.
- Respectez les règles de mise au rebut applicables localement. Si nécessaire, faites appel à une entreprise spécialisée pour la mise au rebut

5.4. STOCKAGE

Stockez les colis dans les conditions suivantes :

- Ne pas entreposer à l'extérieur.
- Stockez-les dans un endroit sec et à l'abri de la poussière.
- Ne les exposez pas à des milieux agressifs.
- Protégez-les de la lumière du soleil.
- Évitez les chocs mécaniques.
- Température de stockage : 15 à 35 °C.
- Humidité relative : max. 60 %.
- En cas de stockage de plus de 3 mois, vérifiez régulièrement l'état général de toutes les pièces et de l'emballage. Si nécessaire, retirez ou renouvelez le conservateur.



CONSEILS ET RECOMMANDATIONS !

- Il peut y avoir des instructions de stockage sur les emballages qui vont au-delà des exigences mentionnées ici. Respectez ces règles.

6. INSTALLATION ET PREMIÈRE MISE EN SERVICE

6.1. CONSIGNES DE SÉCURITÉ POUR L'INSTALLATION ET PREMIÈRE MISE EN SERVICE

PERSONNEL

L'installation et la première mise en service ne doivent être effectuées que par du personnel qualifié.

6.2. PRÉPARATION

DÉBALLAGE

- Les composants doivent être déballés avec soin et prudence.
- Retirez également les matériaux d'emballage supplémentaires.
- Inspectez tous les composants pour détecter tout dommage lié au transport.

DÉCHARGE

- Relâchez la pression de gaz dans tous les systèmes existants, purgez avec du gaz inerte si nécessaire.
- Coupez les tubes avec des outils spéciaux, en évitant la formation de copeaux pendant le processus
- Assurez-vous que les pièces de connexion sont en parfait état et propres

6.3. INSTALLATION

N'utiliser que des détendeurs avec raccords bouteilles conformes aux différents gaz et aux directives nationales et internationales (DIN477, CGA, AFNOR...).



DANGER !

- Les filetages robinet de la bouteille et de l'écrou-raccord doivent être en parfait état.



AVERTISSEMENT !

- N'utilisez que des joints neufs. Les joints ne doivent pas être déformés et ne doivent pas présenter de traces de saleté ou de copeaux métalliques.
- L'utilisation de plusieurs joints à un point d'étanchéité n'est pas autorisée. Les joints usagés doivent être retirés.



AVERTISSEMENT !

- Évitez d'utiliser une rallonge de clé, sinon le filetage et le joint risquent d'être détruits.
- Cela peut conduire à des fuites, à une fuite de gaz incontrôlée ou à l'écoulement complet de l'alimentation en gaz.
- Les joints usagés doivent être retirés.



AVERTISSEMENT !

- Lors du raccordement ou du changement de bouteilles contenant des gaz toxiques ou corrosifs, des mesures de protection individuelle appropriées doivent être prises (protection respiratoire, protection oculaire et vêtements de protection). Prenez les mesures de protection individuelle appropriées (protection respiratoire, protection des yeux et vêtements de protection).
- Respectez les valeurs limites d'exposition professionnelle VLEP (voir Règles techniques pour les substances dangereuses, TGRS 900), préparez les filtres de protection respiratoire adaptés. N'utilisez que des régulateurs de pression bouteille avec les dispositifs purge rinçage.



ATTENTION !

- Avant de procéder au raccordement, vérifiez la plaque signalétique pour vous assurer que le raccord est adapté à l'utilisation prévue.

6.3.1. PRÉPARATION

Seuls les régulateurs de pression avec des raccords de bouteille de la norme appropriée (DIN477, CGA, AFNOR, etc.) correspondant au type de gaz utilisé peuvent être utilisés.

6.3.2. RACCORDEMENT DE LA BOUTEILLE DE GAZ

Insérez le joint correspondant au raccordement de la bouteille et au type de gaz.

Vissez d'abord à la main l'écrou-raccord sur le raccord mis en oeuvre de la bouteille.

Faites attention aux filetages à droite et à gauche !

Positionnez le régulateur de pression - ne l'inclinez pas !

Serrez l'écrou-raccord à l'aide de la clé à fourche appropriée. Attention, évitez d'utiliser une rallonge de clé, sinon le filetage et le joint risquent d'être détruits. Cela peut entraîner des fuites et un écoulement incontrôlé de l'alimentation en gaz (perte totale de gaz !).

Pour les raccordements de bouteilles avec raccordement manuel, serrez l'écrou-raccord à la main.

Attention, n'utilisez pas de clés, sinon la surface de préhension pourrait être détruite.



Les conduites de raccordement sont généralement montées avec des raccords à compression. Retirez d'abord les couvercles des raccords. Le montage s'effectue en insérant complètement le tuyau dans le raccord à compression. Vissez ensuite l'écrou-raccord à la main et serrez-le à l'aide d'une clé plate (première installation : 1/4 de tour pour les tuyaux de plus de 1/8 pouce et 3/4 de tour pour les tuyaux de 1/8 pouce ou moins, réinstallation : 1/4 de tour pour tous les tuyaux). La conduite de purge est connectée à la soupape de décharge de la même manière.

Veillez respecter les instructions du fabricant et l'adéquation des matériaux à certains gaz et plages de pression.

Le régulateur de pression bouteille est disponible avec une pression de sortie maximale de 15 bar avec un raccord d'extrémité pour tuyau souple.

La forme conique du raccord permet de fixer facilement le tuyau.

Type TP, TPA, TPB, avec soupape de purge des gaz étrangers

Pour les régulateurs de pression de bouteille avec soupape de purge des gaz étrangers (TP, TPA, TPB), une conduite de raccordement supplémentaire pour le gaz étranger doit être connectée comme décrit ci-dessus.

6.4. CONDITIONS PRÉALABLES À LA MISE EN SERVICE INITIALE

- Les rapports d'essai des systèmes de tuyauterie concernant l'étanchéité et, si nécessaire, l'humidité et les particules, sont disponibles.
- Les tuyaux de gaz de procédé, les tuyaux de gaz de ventilation et de purge, les tuyaux de soupape de sécurité et de clapet anti-retour, le cas échéant, doivent être connectés
- Il n'y a que du gaz standard dans la conduite de gaz de procédé. (voir chapitre 2) (voir point 1.2)
- La mise en service ne doit être effectuée que par du personnel qualifié et formé.
- Les vêtements de protection doivent être portés conformément à la réglementation.
- N'utilisez que des outils anti-étincelles et préparez-les avant l'installation
- Avant d'utiliser la bouteille pour la première fois, vérifiez sur la plaque signalétique que le réducteur de pression de bouteille est adapté à l'utilisation prévue (gaz, pression, matériau, etc.).

6.5. MISE EN SERVICE INITIALE

- Toutes les conditions préalables sont remplies conformément au point 6.4.
- Le régulateur de pression de bouteille est relâché (fermé), c'est-à-dire que la roue à main est tournée à fond (vers la gauche).
- En cas d'utilisation de gaz corrosif et/ou toxique et de la version en acier inoxydable TP, TPA, TPB du régulateur de pression de bouteille, il est nécessaire d'effectuer une purge avec un gaz inerte avant la première mise en service (voir point 6.5.2).



AVERTISSEMENT!

- Il est essentiel de s'assurer que le régulateur de pression bouteille n'est pas pressurisé au-delà de la pression de fonctionnement autorisée.

6.5.1. REMPLISSAGE DE LA CONDUITE DE GAZ DE PROCÉDÉ AVEC DU GAZ DE PROCÉDÉ

Réglez la pression de sortie souhaitée en tournant lentement la roue à main du régulateur de pression dans le sens des aiguilles d'une montre. Le régulateur de pression de bouteille est maintenant en service. Il est recommandé de contrôler quotidiennement le régulateur de pression et de vérifier les pressions

6.5.2. CHANGEMENT DE BOUTEILLE

En cas d'utilisation de gaz corrosif et/ou toxique et de la version en acier inoxydable TP, TPA, TPB du régulateur de bouteille, une purge avec un gaz inerte doit être effectuée avant de changer la bouteille (voir point 6.5.2).



REMARQUE !

Utilisez un gaz de purge sec et propre pour la purge avec un gaz inerte. Nous recommandons une pureté de gaz qui correspond à l'application.



AVERTISSEMENT !

- Lors du changement de bouteilles contenant des gaz toxiques ou corrosifs, des mesures de protection individuelle appropriées doivent être prises (protection respiratoire, protection oculaire et vêtements de protection).
- Respectez les valeurs limites d'exposition professionnelle (voir Règles techniques pour les substances dangereuses, TGRS 900), préparez les filtres de protection respiratoire adaptés.



DANGER !

- Si des gaz toxiques et/ou corrosifs ont été prélevés dans la bouteille de gaz sous pression, l'unité sous pression doit être purgée avec un gaz inerte (purgé de gaz externe) avant de remplacer la bouteille vide. Cela permet de s'assurer que le gaz résiduel dans le système soit évacué par la conduite d'évacuation de la purge.

PRÉPARATION

1. Fermez hermétiquement le robinet de la bouteille
2. Videz complètement le régulateur de pression, les pointeurs de manomètres d'entrée et de sortie doivent être tous deux à « 0 ».
3. Tournez la roue à main du régulateur de pression dans le sens inverse des aiguilles d'une montre jusqu'à la butée, le régulateur de pression est fermé.
4. Fermez la vanne d'arrêt ou de régulation de la sortie, si elle est présente.
5. Pour les versions P, TP, TPA, TPB, effectuer d'abord la procédure de purge ou de décharge.

PURGE PAR GAZ NEUTRE EXTERNE

Processus de purge pour les régulateurs de pression de bouteille avec soupape de purge des gaz étrangers du côté haute pression (TP, TPA, TPB)

A Vérifiez que l'entrée de gaz de purge et la sortie de gaz de procédé sont correctement connectées.

B Fermez toutes les vannes

C Fermez le régulateur de pression en tournant le volant de détente dans le sens inverse des aiguilles d'une montre.

D Ouvrez la vanne de purge des gaz externes.

E Fermez la vanne de purge des gaz externes.

F Ouvrez brièvement le régulateur de pression et la vanne d'arrêt ou de régulation de la sortie et laissez le gaz de purge s'échapper par la sortie du régulateur de pression bouteille.

G Fermez le régulateur de pression bouteille et la vanne d'arrêt ou de régulation de sortie.

Répétez les étapes D - G dix fois pour un résultat de purge parfait.

6. Desserrez l'écrou-raccord de la bouteille de gaz à l'aide d'une clé. Pour un raccordement de bouteille avec serrage manuel, desserrez à la main.
7. Raccordez les nouvelles bouteilles comme décrit ci-dessus (point 6.3.1).

6.5.3. MISE HORS SERVICE

En cas d'utilisation de gaz corrosif et/ou toxique et de la version en acier inoxydable TP, TPA, TPB du régulateur de bouteille, une purge avec un gaz inerte doit être effectuée avant la mise hors service (voir point 6.5.2).

**ATTENTION !**

- Lors du démontage, respectez généralement les points suivants : Dépressurisez le régulateur de pression et les conduites en évacuant le gaz par par la sortie, les aiguilles des manomètres amont et aval doivent être complètement à « 0 ».
 - Dans le cas de gaz corrosifs ou toxiques, purgez tous les composants avec un gaz inerte.
 - Prenez les mesures de protection individuelle appropriées (protection respiratoire, protection des yeux et vêtements de protection).
 - Respectez les valeurs limites d'exposition professionnelle VLEP (voir Règles techniques pour les substances dangereuses, TGRS 900), préparez les filtres de protection respiratoire adaptés.
1. Fermez hermétiquement le robinet de la bouteille de gaz
 2. Videz complètement le régulateur de pression, les aiguilles des manomètres d'entrée et de sortie doivent être tous deux à « 0 ».
 3. Tournez détente du régulateur de pression dans le sens inverse des aiguilles d'une montre jus qu'à la butée, le régulateur de pression est fermé.
 4. Fermez la vanne d'arrêt ou de régulation de la sortie, si elle est présente.
 5. Pour les versions **TP**, **TPA**, **TPB**, effectuer d'abord le processus de rinçage ou de décharge.
- Fermez le régulateur de pression bouteille en tournant le volant de détente du régulateur de pression dans le sens inverse des aiguilles d'une montre.
 - Dépressurisez la tuyauterie !
 - Le régulateur de pression bouteille est maintenant hors service. Les travaux de réparation et d'entretien peuvent désormais être effectués

6.6. VÉRIFICATIONS

- Après la pressurisation, vérifiez le fonctionnement du régulateur de pression.
- Vérifiez l'étanchéité de la soupape de décharge.

7. FONCTIONNEMENT

Selon le chapitre 2.1, le fonctionnement du régulateur de pression de bouteille est défini pour les gaz standard.

**ATTENTION !**

- Les vannes manuelles doivent toujours être ouvertes lentement et avec précaution pour éviter les coups de bélier dans le système et pour protéger les autres composants.

Pour une brève interruption de l'extraction du gaz, il suffit de fermer la vanne d'arrêt ou de contrôle sur le régulateur. En cas d'interruption plus longue, le régulateur doit être dépressurisé en tournant le volant dans le sens inverse des aiguilles d'une montre. Pour des raisons de sécurité, fermez le robinet de la bouteille.

8. ENTRETIEN**8.1. CONSIGNES DE SÉCURITÉ POUR L'ENTRETIEN****REMARQUE !**

- Les travaux d'entretien ne doivent être effectués que par du personnel qualifié, formé et autorisé. (voir chapitre 2.4).

8.2. PROGRAMME D'ENTRETIEN

Les sections suivantes décrivent les tâches de maintenance requises pour un fonctionnement optimal et sans problème de l'unité.

Si les inspections régulières révèlent une usure accrue, réduisez les intervalles d'entretien requis en fonction des signes réels d'usure.

REMARQUE !

- Pour toute question concernant l'entretien et les intervalles d'entretien, contactez le service client.

Intervalle	Travaux d'entretien	Personnel
Hebdomadaire	Vérifier visuellement tous les composants	Personnel compétent (TRBS 1203)
Une fois par an	Test de fonctionnement et d'étanchéité, test de toutes les pièces importantes pour la sécurité	Personnel compétent (TRBS 1203)
Tous les 10 ans	Révision générale et remplacement de toutes les pièces usées	Personnel compétent (TRBS 1203)

FR

8.3. TRAVAUX D'ENTRETIEN

8.3.1. NETTOYAGE

REMARQUE !

- Les produits de nettoyage doivent être compatibles avec les matériaux avec lesquels ils entrent en contact.

8.3.2. CONDITIONS PRÉALABLES À L'ENTRETIEN

AVANT LE DÉBUT DE L'ENTRETIEN, VÉRIFIEZ QUE

- L'alimentation en gaz est interrompue et sécurisée.
- Le poste de détente est dépressurisé.
- Le régulateur de pression est dépressurisé.
- La vanne est fermée.
- Il n'y a plus de gaz de procédé dans le système.
- Le système a été purgé avec un gaz inerte.

8.3.3. PERFORMANCES D'ENTRETIEN NÉCESSAIRES

- Vérification de la précision de la valeur affichée pour les manomètres de pression.
- Poste de détente, régulateur de pression, valves et indicateurs de pression : Vérifiez le fonctionnement, l'état et l'étiquetage.
- Vérification de l'étiquetage.
- Vérification de la corrosion.
- Vérification du fonctionnement.
- Effectuez un test d'étanchéité avec une pression de service multipliée par 1 pendant 12 heures.
- Les composants usés et défectueux doivent être remplacés immédiatement ; ces travaux doivent toujours être effectués par une entreprise spécialisée autorisée.
- Les vannes ont été conçues conformément à la norme ISO 10297. Il s'agit notamment d'un essai de type au cours duquel la vanne a été soumise à un essai de durée de vie allant jusqu'à 2 000 cycles. Après 2 000 cycles, remplacez les pièces internes qui entrent en contact avec le fluide ; ce travail doit toujours être effectué par une entreprise spécialisée autorisée.
- Si des fuites ou une corrosion excessive sont constatées au niveau des postes de détente/régulateurs de pression ou des vannes, ceux-ci et leurs raccords doivent également être remplacés complètement par une entreprise spécialisée autorisée.
- Après le changement de composants ou d'ensembles de tuyauterie, les tests de pression doivent être effectués à nouveau et enregistrés.

8.4. MESURES APRÈS LA RÉALISATION DE L'ENTRETIEN

APRÈS AVOIR TERMINÉ LES TRAVAUX D'ENTRETIEN ET AVANT DE REMETTRE EN MARCHÉ LE PANNEAU DE CONTRÔLE DE LA PRESSION, LE RÉGULATEUR DE PRESSION OU LA VANNE, EFFECTUEZ LES ÉTAPES SUIVANTES :

1. Assurez-vous que tous les outils, matériaux et autres équipements utilisés ont été retirés de la zone de travail.
2. Nettoyez la zone de travail et enlevez toute matière déversée telle que les liquides, les matériaux de traitement ou autres.
3. Assurez-vous que tous les dispositifs de sécurité du système fonctionnent correctement.

9. DYSFONCTIONNEMENTS

Le chapitre suivant décrit les causes possibles des dysfonctionnements et les travaux à effectuer pour les éliminer. Si les pannes sont plus fréquentes, les intervalles d'entretien doivent être raccourcis en fonction de la charge réelle. En cas de dysfonctionnements qui ne peuvent être corrigés par les instructions suivantes, contactez le fabricant.

9.1. INSTRUCTIONS DE SÉCURITÉ POUR LE DÉPANNAGE

En cas de dysfonctionnement, il faut toujours couper l'alimentation en gaz, décharger le régulateur de pression et fermer les vannes. N'effectuez jamais de travaux d'entretien sur des composants sous pression.

PROCÉDURE EN CAS DE PERTURBATIONS :

1. Débranchez et sécurisez l'alimentation en gaz.
2. Relâchez le régulateur de pression, fermez les valves.
3. Seul un membre du personnel qualifié peut éliminer les pannes.
4. Rétablissez l'état initial de l'unité.

Description	Cause	Solution	Vanne	Régulateur de pression bouteille	Régulateur de pression de conduite	Postes de détente
Pas de débit (le manomètre d'entrée indique la pression, mais pas le manomètre de sortie)	Régulateur de pression fermé	Ouvrir lentement le régulateur de pression Fermer la vanne de purge		<input checked="" type="checkbox"/>	<input checked="" type="checkbox"/>	<input checked="" type="checkbox"/>
Pas de débit (les deux manomètres affichent zéro)	Robinet de la bouteille fermée Vanne de gaz de service fermée Régulateur de pression fermé Lyre/flexible-non connecté	Mise en service selon le point 6. Installation et première mise en service		<input checked="" type="checkbox"/>	<input checked="" type="checkbox"/>	<input checked="" type="checkbox"/>
Pas de débit	Régulateur de pression fermé	Ouvrir lentement le régulateur de pression	<input checked="" type="checkbox"/>			
Augmentation de la contre-pression et soupape de décharge ouverte	Fuite dans le siège du régulateur de pression	Réparation par le fabricant		<input checked="" type="checkbox"/>	<input checked="" type="checkbox"/>	<input checked="" type="checkbox"/>

Description	Cause	Solution	Vanne	Régulateur de pression bouteille	Régulateur de pression de conduite	Postes de détente
Légère augmentation de la contre-pression et la soupape de décharge ne s'ouvre pas	Baisse la pression amont	Pas d'erreur, état de fonctionnement normal		<input checked="" type="checkbox"/>	<input checked="" type="checkbox"/>	<input checked="" type="checkbox"/>
Légère augmentation de la contre-pression	Différence entre la pression dynamique (avec débit) et la pression statique (sans débit)	Pas d'erreur, état de fonctionnement normal		<input checked="" type="checkbox"/>	<input checked="" type="checkbox"/>	<input checked="" type="checkbox"/>
Légère baisse de contre-pression	Différence entre la pression dynamique (avec débit) et la pression statique (sans débit)	Pas d'erreur, état de fonctionnement normal		<input checked="" type="checkbox"/>	<input checked="" type="checkbox"/>	<input checked="" type="checkbox"/>
Forte baisse de contre-pression	Débit requis pour le régulateur de pression trop élevé	Sélection d'un nouveau régulateur de pression pour la pression et le débit requis		<input checked="" type="checkbox"/>	<input checked="" type="checkbox"/>	<input checked="" type="checkbox"/>
Forte baisse de contre-pression	Fuite de la conduite de gaz de procédé	Vérifier la conduite de gaz de procédé		<input checked="" type="checkbox"/>	<input checked="" type="checkbox"/>	<input checked="" type="checkbox"/>
Pression de sortie trop élevée	Réglage incorrect du régulateur	Réglage du régulateur de pression, réajustement, entretien		<input checked="" type="checkbox"/>	<input checked="" type="checkbox"/>	<input checked="" type="checkbox"/>
La contre-pression augmente immédiatement jusqu'à la butée ou la contre-pression augmente lentement au-dessus de la valeur de consigne et la soupape de décharge se déclenche	Saleté ou dommage du siège du détendeur	Réparation par le fabricant		<input checked="" type="checkbox"/>	<input checked="" type="checkbox"/>	<input checked="" type="checkbox"/>

Description	Cause	Solution	Vanne	Régulateur de pression bouteille	Régulateur de pression de conduite	Postes de détente
Bruits pendant le fonctionnement	Débit requis pour le régulateur de pression trop élevé	Sélection d'un nouveau régulateur de pression pour la pression et le débit requis		☑	☑	☑
Pas de changement malgré la rotation du volant de détente	Volant de détente défectueux en raison d'un couple excessif, vis défectueuse, filetage défectueux	Réparation par le fabricant	☑	☑	☑	☑
Humidité sur le régulateur de pression (PAS de rosée, pluie ou neige)	Le régulateur de pression extrait l'énergie de l'environnement par l'expansion du gaz	Pas d'erreur, état de fonctionnement normal		☑	☑	☑
Glace sur le régulateur de pression (PAS de rosée, pluie ou neige)	Le régulateur de pression retire de l'énergie de l'environnement par l'expansion du gaz, capacité de livraison limitée des conteneurs de gaz sous pression, p. ex. avec N ₂ O, CO ₂	Pas d'erreur, état de fonctionnement normal ATTENTION : faites attention à la fonctionnalité des manomètres de contact, augmentez le nombre de conteneurs de gaz sous pression		☑	☑	☑

Ce tableau ne prétend pas être exhaustif. Si vous avez des questions ou des incertitudes, veuillez contacter le fabricant.

10. DÉMONTAGE ET MISE AU REBUT

Au terme de l'utilisation de l'appareil, celui-ci doit être démonté et mis au rebut dans le respect de l'environnement.

10.1. CONSIGNES DE SÉCURITÉ POUR LE DÉMONTAGE ET LA MISE AU REBUT



AVERTISSEMENT !

- **Risque de blessure en cas de démontage incorrect !**
- L'énergie résiduelle stockée, les composants angulaires, les points et les coins sur et dans l'appareil ou sur les outils nécessaires peuvent causer des blessures.
- Assurez-vous que l'espace est suffisant avant de commencer le travail.

- Manipulez avec précaution les composants ouverts à arêtes vives.
- Veillez à l'ordre et à la propreté sur le lieu de travail !
- Les composants détachés et les outils qui se retrouvent les uns sur les autres ou autour des autres sont des sources d'accidents.
- Démontez les composants correctement. Notez le poids propre relativement élevé des composants. Utilisez un engin de levage si nécessaire.
- Fixez les composants de manière à ce qu'ils ne tombent pas ou ne se renversent pas.
- En cas de doute, consultez toujours le fabricant.

10.2. DÉMONTAGE

AVANT DE COMMENCER LE DÉMONTAGE

Fermez le régulateur de pression bouteille en tournant le volant de détente dans le sens inverse des aiguilles d'une montre.

Dépressurisez le régulateur de pression bouteille et assurez-vous qu'il n'y a plus de gaz de procédé à l'intérieur.

Dépressurisez le système et, si nécessaire, rincez-le avec un gaz inerte.

Enlevez les matériaux d'exploitation et auxiliaires ainsi que les matériaux de traitement résiduels et mettez-les au rebut de manière écologique.

Nettoyez ensuite correctement les ensembles et les composants et démontez-les en respectant les réglementations locales applicables en matière de santé et de sécurité au travail et de protection de l'environnement.



AVERTISSEMENT !

- ***N'ouvrez pas le système s'il contient encore des gaz toxiques et/ou corrosifs !***

10.3. MISE AU REBUT

Sauf si un accord de reprise ou de mise au rebut a été conclu, les composants démontés doivent être recyclés :

Mettez les métaux au rebut.

Mettez les éléments en plastique à recycler.

Éliminez les composants restants en les triant selon l'état des matériaux.

Conformément à l'article 33 du règlement REACH, GCE, s.r.o., en tant que fabricant responsable, s'engage à informer tous ses clients si les matériaux contiennent 0,1 % ou plus des matières figurant sur la liste des substances extrêmement préoccupantes (SVHC).

Les alliages de laiton les plus couramment utilisés pour les corps et autres composants en laiton contiennent 2 à 3 % de plomb (Pb), n° CE 231-468-6, n° CAS 7439-92-1. Dans des conditions normales d'utilisation, le plomb n'est pas libéré dans le gaz ou dans l'environnement. À la fin de sa vie, le produit doit être éliminé par une entreprise agréée de recyclage des métaux afin de garantir une mise au rebut efficace du matériau avec un impact minimal sur l'environnement et la santé.

À ce jour, nous ne disposons d'aucune information indiquant que des matériaux présentant des concentrations de SVHC supérieures à 0,1 % sont contenus dans les produits GCE.



REMARQUE !

- ***Danger pour l'environnement en cas de mise au rebut incorrecte !***
- La mise au rebut incorrecte des matériaux peut être dangereuse pour l'environnement.
- Faites éliminer les déchets électriques, les composants électroniques, les lubrifiants et autres matériaux auxiliaires par des entreprises spécialisées agréées.
- En cas de doute, renseignez-vous sur les méthodes de mise au rebut respectueuses de l'environnement auprès des autorités municipales locales ou des entreprises de gestion des déchets spéciaux.

www.linde.com

Ces articles ont été réalisés pour le compte de Linde.

TARTALOM

1. ÁLTALÁNOS	88
1.1. INFORMÁCIÓK A JELEN ÚTMUTATÓHOZ	88
1.2. A PALACKNYOMÁS-SZABÁLYOZÓVAL KAPCSOLATOS INFORMÁCIÓK	88
1.3. SZIMBÓLUMOK MAGYARÁZATA	90
1.4. A FELELŐSSÉG KORLÁTOZÁSA	90
1.5. SZERZŐI JOGI VÉDELEM	91
1.6. PÓTALKATRÉSZEK	91
1.7. JÓTÁLLÁSI FELTÉTELEK	91
1.8. VEVŐSZOLGÁLAT	91
2. BIZTONSÁG	91
2.1. RENDELTETÉSSZERŰ HASZNÁLAT	91
2.1.1. A PALACKNYOMÁSSZABÁLYZÓ SZERKEZETI MÓDOSÍTÁSAI	92
2.2. ALAPVETŐ VESZÉLYEK	92
2.3. AZ ÜZEMELTETŐ FELELŐSSÉG	93
2.4. A SZEMÉLYZETRE VONATKOZÓ KÖVETELMÉNYEK	94
2.4.1. KÉPZETTSÉGEK	94
2.4.2. ILLETÉKTELEN SZEMÉLYEK	94
2.4.3. KIOKTATÁS	94
2.5. EGYÉNI VÉDŐFELSZERELÉS	94
2.6. VISELKEDÉS TŰZ ESETÉN ÉS BALESETNÉL	95
2.7. KÖRNYEZETVÉDELEM	96
2.8. TÁBLÁK	96
2.8.1. UTASÍTÓ JELZÉS	96
2.8.2. TILTÓ JELZÉS	96
2.8.3. FIGYELMEZTETŐ JELZÉS	96
3. MŰSZAKI ADATOK	97
3.1. FOLYAMATÁBRA - EGYFOKOZATÚ VÁLTOZAT	97
3.2. FOLYAMATÁBRA - KÉTFOKOZATÚ VÁLTOZAT	99
3.3. MÉRETLAP	100
3.4. ÁLTALÁNOS ADATOK	102
3.5. CSATLAKOZTATÁSI ÉRTÉKEK	102
3.6. TELJESÍTMÉNYADATOK	102
3.7. ÜZEMELTETÉSI FELTÉTELEK - KÖRNYEZET	103
4. FELÉPÍTÉS ÉS MŰKÖDÉS	103
4.1. SÁRGARÉZ KRÓMOZOTT VÁLTOZAT	103
4.2. RÖVID LEÍRÁS	103
5. SZÁLLÍTÁS, CSOMAGOLÁS ÉS TÁROLÁS	104
5.1. BIZTONSÁGI UTASÍTÁSOK A SZÁLLÍTÁSHOZ	104
5.2. SZÁLLÍTÁSI ELLENŐRZÉS	104
5.3. CSOMAGOLÁS	104
5.4. TÁROLÁS	104
6. TELEPÍTÉS ÉS ELSŐ ÜZEMBE HELYEZÉS	105
6.1. BIZTONSÁGI UTASÍTÁSOK A TELEPÍTÉSHEZ ÉS AZ ELSŐ ÜZEMBE HELYEZÉSHEZ	105
6.2. ELŐKÉSZÜLETEK	105
6.3. TELEPÍTÉS	105
6.3.1. ELŐKÉSZÍTÉS	106
6.3.2. A GÁZPALACK CSATLAKOZTATÁSA	106
6.4. AZ ELSŐ ÜZEMBE HELYEZÉS ELŐFELTÉTELE	106
6.5. ELSŐ ÜZEMBE HELYEZÉS	107
6.5.1. A TERMÉKGÁZ-VEZETÉK FELTÖLTÉSE TERMÉKGÁZZAL	107
6.5.2. A PALACK CSERÉJE	107
6.5.3. ÜZEMEN KÍVÜL HELYEZÉS	108
6.6. ELLENŐRZÉSEK	108
7. ÜZEMELTETÉS	108

8. KARBANTARTÁS	108
8.1. BIZTONSÁGI UTASÍTÁSOK A KARBANTARTÁSHOZ	108
8.2. KARBANTARTÁSI TERV	109
8.3. KARBANTARTÁSI MUNKÁK	109
8.3.1. TISZTÍTÁS	109
8.3.2. A KARBANTARTÁS ELŐFELTÉTELE	109
8.3.3. SZÜKSÉGES KARBANTARTÁSI MUNKA	109
8.4. INTÉZKEDÉSEK A KARBANTARTÁS BEFEJEZÉSE UTÁN	109
9. ZAVAROK	110
9.1. BIZTONSÁGI UTASÍTÁSOK A ZAVARELHÁRÍTÁSHOZ	110
10. SZÉTSZERELÉS ÉS ÁRTALMATLANÍTÁS	113
10.1. BIZTONSÁGI UTASÍTÁSOK A SZÉTSZERELÉSHEZ ÉS ÁRTALMATLANÍTÁSHOZ	113
10.2. SZÉTSZERELÉS	113
10.3. ÁRTALMATLANÍTÁS	113

HU

1. ÁLTALÁNOS

1.1. INFORMÁCIÓK A JELEN ÚTMUTATÓHOZ

A jelen útmutató a következő típusú egy- és kétfokozatú palacknyomás-szabályozókra vonatkozik:

- C12hv
- C200hv

A palacknyomás-szabályozókat gázpalackokhoz való közvetlen csatlakoztatásra tervezték, hogy a palacknyomást alacsony kimeneti nyomástartományokba csökkentsék. A palackcsatlakozások a gáz típusától függően a megfelelő szabványnak (DIN 477, CGA, AFNOR stb.) megfelelően különböző menetekkel rendelkeznek. Kérjük, vegye figyelembe.

A jelen útmutató lehetővé teszi a palacknyomás-szabályozó biztonságos és hatékony használatát.

Az útmutató a készülék szerves részét képezi, és azt a készülék közvetlen közelében kell tartani, és a személyzet számára mindig hozzáférhetővé kell tenni. A személyzetnek a munka megkezdése előtt gondosan el kell olvasnia és meg kell értenie ezt az útmutatót. A biztonságos munkavégzés alapfeltétele a jelen útmutatóban felsorolt összes biztonsági és kezelési utasítás betartása. Ezen kívül a készülék felhasználási területére vonatkozó helyi balesetvédelmi előírások és az általános biztonsági előírások is érvényesek. A jelen útmutatóban található ábrák az alapvető megértést szolgálják, és eltérhetnek a tényleges kivitteltől.

1.2. A PALACKNYOMÁS-SZABÁLYOZÓVAL KAPCSOLATOS INFORMÁCIÓK

Az ilyen típusú palacknyomás-szabályozók csak szabványos gázként meghatározott gázokkal használhatók. A maximális bemeneti nyomás a C12hv esetében max. 12 bar, a C200hv esetében max. 200 bar.

Termékcsalád	(tisztaság: 6,0 l krómozott sárgaréz)	(tisztaság: 6,0 l nemesacél)
A lefúvószelep FKM-ülésével	<ul style="list-style-type: none"> • Felhasználható gázok (beleértve azok keverékeit is): <ul style="list-style-type: none"> • Nagy tisztaságú • Inert • Éghető • Oxidáló • O₂ • NEM felhasználható gázok (beleértve azok keverékeit is): <ul style="list-style-type: none"> • Maró • Mérgező • CO₂, N₂O 	<ul style="list-style-type: none"> • Felhasználható gázok (beleértve azok keverékeit is): <ul style="list-style-type: none"> • Nagy tisztaságú • Inert • Éghető • Oxidáló (200 bar-ig) • Maró (Kérjük, lépjen kapcsolatba velünk, ha valami nem egyértelmű) <ul style="list-style-type: none"> • Mérgező (Kérjük, lépjen kapcsolatba velünk, ha valami nem egyértelmű) • Felhasználható O₂-hez 200 bar-ig • NEM felhasználható gázok (beleértve azok keverékeit is): <ul style="list-style-type: none"> • O₂ over 200 bar • CO₂, N₂O • NH₃, SO₂, H₂S

<p>A lefűvószelep EPDM-ülésével</p>	<ul style="list-style-type: none"> • Felhasználható gázok (beleértve azok keverékeit is) : <ul style="list-style-type: none"> • Nagy tisztaságú • Inert • Éghető • Oxidáló • CO₂, N₂O • NEM felhasználható gázok (beleértve azok keverékeit is): <ul style="list-style-type: none"> • Maró • Mérgező • O₂ (21%-nál nagyobb arányban) • Szénhidrogének 	<ul style="list-style-type: none"> • Felhasználható gázok (beleértve azok keverékeit is): <ul style="list-style-type: none"> • Nagy tisztaságú • Inert • Éghető • Oxidáló • Maró (Kérjük, lépjen kapcsolatba velünk, ha valami nem egyértelmű) • Mérgező (Kérjük, lépjen kapcsolatba velünk, ha valami nem egyértelmű) • CO₂, N₂O • NH₃, SO₂, H₂S • NEM felhasználható gázok (beleértve azok keverékeit is): <ul style="list-style-type: none"> • O₂ (21%-nál nagyobb arányban) • Szénhidrogének
---	---	--

HU

Ez a táblázat nem a teljesség igényével készült. Ha bármilyen kérdése van vagy ha valami nem egyértelmű, kérjük, forduljon a gyártóhoz.

Egy- és kétfokozatú hengernyomás-szabályozók érhetők el, fémmembránnal, 6-portos kivitelben. Az ISO7291 szabvány szerint gyártották és hagyták jóvá, beleértve az oxigén-kiégési tesztet (lásd a táblázat 1.2. bekezdését). A palacknyomás-szabályozó egy nyomásszabályozó testből, bemeneti és kimeneti nyomásmérőkből, palackcsatlakozásból és lefűvátószelepből áll. Különböző csatlakozó szerelvényekkel és/vagy különböző kiegészítő alkatrészekkel, mint például

- elzárószelep a kimeneten (A)
- szabályozószelep a kimeneten (B)
- idegengáz-öblítőszelep a bemeneten (TP).
- idegengáz-öblítőszelep a bemenetnél és elzárószelep a kimenetnél (TPA), csak a nemesacél kivitelben.
- idegengáz-öblítőszelep a bemenetnél és szabályozószelep a kimenetnél (TPB), csak a nemesacél kivitelben.

A C200/1 TP, C200/1 TPA, C200/1 TPB, C200/2 TP, C200/2 TPA és C200/2 TPB kivitelek lehetővé teszik a nyomásszabályozó idegen gázzal történő tisztítását. Ezért különösen alkalmasak maró és mérgező gázok esetén.

Az öblítési lehetőséggel ellátott palacknyomás-szabályozók lehetővé teszik a szelep szárítását vagy az üzembe helyezés előtt vagy palackcsere során a nyomásszabályozóba esetleg bejutott párás levegő eltávolítását, valamint a szerelvénynek mérgező, maró vagy öngyulladó gázoktól való megtisztítását az üzem kívül helyezés előtt.

1.3. SZIMBÓLUMOK MAGYARÁZATA

BIZTONSÁGI UTASÍTÁSOK

A biztonsági utasításokat a jelen útmutatóban szimbólumok jelzik. A biztonsági utasításokat a veszély mértékét kifejező jelzőszavak vezetik be.



VESZÉLY!

A szimbólum és a jelzőszó ezen kombinációja olyan közvetlen veszélyhelyzetet jelez, amely halálhoz vagy súlyos sérüléshez vezet, ha nem kerülnek el.



FIGYELEM!

A szimbólum és a jelzőszó ezen kombinációja olyan lehetséges veszélyes helyzetet jelez, amely halálhoz vagy súlyos sérüléshez vezethet, ha nem kerülnek el.



VIGYÁZAT!

A szimbólum és a jelzőszó ezen kombinációja olyan lehetséges veszélyhelyzetet jelez, amely enyhe vagy könnyű sérüléshez vezethet, ha nem kerülnek el.



ÉRTESÍTÉS!

A szimbólum és a jelzőszó ezen kombinációja olyan lehetséges veszélyes helyzetet jelez, amely anyagi vagy környezeti károkhoz vezethet, ha nem kerülnek el.



TIPPEK ÉS AJÁNLÁSOK

Ez a szimbólum hasznos tippeket és ajánlásokat, valamint a hatékony és problémamentes üzemeltetéshez szükséges információkat emeli ki.

KÜLÖNLEGES TUDNIVALÓK

A biztonsági utasításokban a következő szimbólumok a különleges veszélyekre hívják fel a figyelmet.



VESZÉLY!

A szimbólum és a jelzőszó ezen kombinációja az elektromos áram okozta közvetlen veszélyhelyzetet jelzi. Az így megjelölt figyelmeztetés figyelmen kívül hagyása súlyos vagy halálos sérüléseket okozhat.

1.4. A FELELŐSSÉG KORLÁTOZÁSA

A jelen útmutatóban található valamennyi információ és utasítás a vonatkozó szabványok és előírások, a technika jelenlegi állása, valamint sokéves tudásunk és tapasztalatunk figyelembevételével készült.

A gyártó nem vállal felelősséget a következő esetekben bekövetkező károkért:

- A jelen utasítás figyelmen kívül hagyása
- A rendeltetésszerű használatól eltérő használat
- Nem képzett személyzet használata
- Nem engedett műszaki és szerkezeti átalakítások
- Nem jóváhagyott pótalkatrészek használata
- A nyomástartó berendezés hibás biztonsági berendezésekkel vagy nem rendeltetésszerűen felszerelt vagy nem működő biztonsági és védőberendezések való üzemeltetése
- A kopásnak kitett alkatrészek, csavarkötések és tömítőelemek nem megfelelő ellenőrzése
- Szakszerűtlenül elvégzett javítások
- Az adatlapon megadott hőmérséklet-tartomány túllépése vagy alumínálása az üzemeltetés, ill. a tárolás során
- Idegen tárgyak és vis maior okozta katasztrófák

A tényleges szállítási terjedelem eltérhet az itt leírt magyarázatoktól és illusztrációktól a speciális változatok, a kiegészítő rendelési opciók használata vagy a legújabb technikai változások miatt. A szállítási szerződésben vállalt kötelezettségek, az általános szerződési feltételek, valamint a gyártó szállítási feltételei és a szerződéskötés időpontjában érvényes jogszabályi előírások az irányadóak.

1.5. SZERZŐI JOGI VÉDELEM

A jelen útmutató tartalma szerzői jogi védelem alatt áll. Használata a készülék felhasználási körén belül megengedett. A gyártó írásbeli hozzájárulása nélkül semminemű más felhasználás nem megengedett.

1.6. PÓTALKATRÉSZEK



FIGYELEM!

- Sérülésveszély a nem megfelelő pótalkatrészek használata miatt!
- A helytelen vagy hibás pótalkatrészek használata veszélyt jelenthet a személyzet számára, valamint sérüléseket, helytelen működést vagy a készülék teljes meghibásodását okozhatják.
- Csak a gyártó eredeti vagy a gyártó által jóváhagyott pótalkatrészeket használja.
- Kétség esetén mindig forduljon a gyártóhoz.

HU



GARANCIA MEGSZŰNÉSE!

- A nem jóváhagyott pótalkatrészek használata a gyártó garanciájának megszűnését eredményezi.

1.7. JÓTÁLLÁSI FELTÉTELEK

Alapvetően „Általános Üzleti és Szállítási Feltételeink” érvényesek. Ezek legkésőbb a szerződés megkötése óta az ügyfél rendelkezésére állnak.

1.8. VEVŐSZOLGÁLAT

Mindig érdeklődünk a használat során szerzett információk és tapasztalatok iránt, amelyek értékesnek bizonyulhatnak termékeink fejlesztése szempontjából.

2. BIZTONSÁG

Ez a szakasz áttekintést nyújt a személyek védelme, valamint a biztonságos és problémamentes működés tekintetében fontos biztonsági szempontokról. A feladatokkal kapcsolatos további biztonsági utasításokat az egyes életszakaszokra vonatkozó szakaszok tartalmazzák.

2.1. RENDELTETÉSSZERŰ HASZNÁLAT

A C12hv és C200hv típusú palacknyomás-szabályozók csak a megadott gázokhoz és nyomásokhoz, a megadott hőmérsékleteknek megfelelően használhatók. A névleges térfogatáram az ISO 2503 szabvány szerint 20 m³/h (sűrített levegő). A rendeltetésszerű használat magában foglalja a jelen használati útmutatóban szereplő valamennyi információ és tudnivaló betartását, az ellenőrzési és karbantartási munkák elvégzését, valamint a típus tábla és az adatlapok figyelembe vételét is. A rendeltetésszerű használaton túlnemő vagy bármilyen más használat helytelen használatnak minősül.



FIGYELEM!

- **Veszély helytelen használat esetén!**
- A palacknyomás-szabályozó helytelen használata veszélyes helyzetekhez vezethet.
- Soha ne használja a palacknyomás-szabályozót áramlásszabályozó elemként vagy elzárószelepként.
- Soha ne használja a palacknyomás-szabályozót folyadékokhoz.

2.1.1. A PALACKNYOMÁSSZABÁLYZÓ SZERKEZETI MÓDOSÍTÁSAI

A gyártó írásos engedélye nélkül ne végezzen semmilyen változtatást, kiegészítést vagy módosítást a palacknyomás-szabályzón.

A nem kifogástalan állapotban lévő palacknyomás-szabályozókat azonnal ki kell cserélni

A gázkészülékek tisztítása és a maradékok eltávolítása

A javításra váró használt palacknyomás-szabályozókat inert gázzal (nitrogén) kell kiöblíteni.

Zajkeltés

Egyes esetekben bizonyos befolyásoló változók - mint például az áramlási sebesség és a nyomástartomány, de maga a gáz típusa is - kedvezőtlen kölcsönhatása zajkeltéshez vezethet. Ezekben az esetekben forduljon a gyártóhoz.

2.2. ALAPVETŐ VESZÉLYEK

Az alábbiakban felsoroljuk azokat a maradék kockázatokat, amelyek a készülék rendeltetészerű használata esetén is fennállhatnak.

A személyi sérülések és anyagi károk kockázatának csökkentése, valamint a veszélyes helyzetek elkerülése érdekében az itt felsorolt biztonsági utasításokat és a jelen útmutató más részeiben található biztonsági utasításokat be kell tartani.



VESZÉLY!

- **A gázok életveszélyesek lehetnek!**
- A gázok kiszoríthatják a levegőt és így a benne lévő oxigént. Ez fulladás okozta halálhoz vezethet. Az oxigén erősen oxidatív légkört képez. A gyúlékony gázok robbanásveszélyes légkört képezhetnek.

EZÉRT:

- Gondoskodjon a megfelelő szellőzésről!
- Csak tanúsított szakvállalkozás végezheti el a telepítést!
- Tartsa be az ATEX-irányelveket



FIGYELEM!

- **A környezetből eredő veszélyek!**
- A kondenzáció és/vagy jegesedés meghibásodást okozhat a készülékben.

EZÉRT:

- Tartsa be a hőmérsékleti tartományokat!
- Védje a készüléket a kívülről érkező folyadékoktól!
- Védje a készüléket a kívülről érkező por ellen!
- A készüléket időjárástól védve telepítse!
- A meglévő földelést megfelelően rögzítse!



FIGYELEM!

- **Balesetveszély olaj és zsír használatakor!**
- A nyomásszabályozó rendszerekben alapvetően nem szabad olajokat és zsírokat használni. Az olajok és zsírok nagyon gyúlékonyak, és heves reakcióba lépnek bizonyos sűrített gázokkal.

EZÉRT:

- Soha ne használjon olajat vagy zsírt!



FIGYELEM !

- **Balesetveszély a rendszerben tárolt energia miatt!**

A helytelen kezelés következtében a nyomástartó alkatrészek vagy azok egyes részei ellenőrzetlen mozgásokat hajthatnak végre, és súlyos vagy akár halálos sérüléseket okozhatnak. A helytelen kezelés következtében a gáz kiszabadulhat a nyomástartó részekből, és súlyos vagy akár halálos sérüléseket okozhat.

MIELŐTT BÁRMILYEN MUNKÁT ELKEZDENE A NYOMÁSTARTÓ ALKATRÉSZEKKEL:

- Csak tanúsított szakvállalkozás végezheti el a telepítést!
- Viseljen védőszemüveget!
- Viseljen fülvédőt!
- Győződjön meg róla, hogy a rendszer nincs nyomás alatt!
- Győződjön meg róla, hogy a rendszerben nem tárolódik több energia!
- Ügyeljen arra, hogy a gáz véletlenül se tudjon kiszökni!
- Gondoskodjon arról, hogy a meghibásodott alkatrészeket azonnal cserélje ki képzett személyzet!



FIGYELEM!

- **Balesetveszély!**

A helytelen telepítés súlyos vagy akár halálos sérüléseket is okozhat.

EZÉRT:

- A telepítés során biztosítsa a készülékeket leesés ellen!
- Ne dobja a készüléket!

A nyomástartó alkatrészek csak a rendeltetésszerű használatra használhatók.

A csövezetékek és szerelvények mechanikai sérülése esetén a rendszert biztonságos állapotba kell hozni (az érintett szakaszt el kell zárni).

A biztonságot befolyásoló hibákat képzett és szakképzett személyzetnek vagy a gyártónak kell haladéktalanul elhárítania.

Különösen gázok esetében fennáll a vezetéknyomás-szabályozó meghibásodásának veszélye. Ezt vagy a nyomásszabályozó utáni gázáramlás hiánya, vagy az ellennyomás hirtelen megnövekedése jelzi. Ha a nyomásszabályozó meghibásodik, a rendszert azonnal üzemem kívül kell helyezni. Az illetékes karbantartó céget feltétlenül tájékoztatni kell. Soha ne zárja el a kífűvvezetékeket.

2.3. AZ ÜZEMELTETŐ FELELŐSSÉG

ÜZEMELTETŐ

Az üzemeltető az a személy, aki a készüléket kereskedelmi vagy gazdasági célból üzemelteti, vagy aki azt harmadik félnek használatra/alkalmazásra átadja, és aki a törvényes termékfelelősséget viseli a felhasználó, a személyzet vagy harmadik felek védelméért az üzemeltetés során.

ÜZEMELTETŐI KÖTELEZETTSÉGEK

A készülék a kereskedelmi szektorban kerül felhasználásra. A készülék üzemeltetője ezért a munkavédelemmel kapcsolatos jogi kötelezettségek hatálya alá tartozik.

A jelen útmutatóban található biztonsági utasításokon kívül be kell tartani a készülék felhasználási területére vonatkozó biztonsági, balesetvédelmi és környezetvédelmi előírásokat.

KÜLÖNÖSEN A KÖVETKEZŐK ÉRVÉNYESEK:

- Az üzemeltetőnek tájékozódnia kell az alkalmazandó munkavédelmi és munkaegészségügyi előírásokról, és egy kockázatelemzés keretében ezen túlmenően meg kell határozni a készülék felhasználási helyén a konkrét munkakörülményekből eredő veszélyeket. Ezeket a készülék működtetésére vonatkozó üzemeltetési utasítások formájában kell végrehajtania.
- Az üzemeltetőnek a készülék használatának teljes időtartama alatt ellenőriznie kell, hogy az általa összeállított használati utasítások megfelelnek-e a hatályos előírásoknak, és szükség esetén ki kell igazítania azokat.
- Az üzemeltetőnek egyértelműen szabályoznia kell és meg kell határozni a telepítéssel, üzemeltetéssel, hibaelhárítással, karbantartással és tisztítással kapcsolatos felelősségeket.
- Az üzemeltetőnek biztosítania kell, hogy a készüléket kezelő valamennyi személy elolvasta és megértette ezeket az utasításokat. Ezen kívül rendszeres időközönként ki kell képeznie a személyzetet, és tájékoztatnia kell őket a veszélyekről.
- Az üzemeltetőnek biztosítania kell a személyzet számára a szükséges védőfelszerelést, és kötelező érvényű utasításokat kell adnia a szükséges védőfelszerelés viselésére.

Az üzemeltető felelős továbbá azért, hogy a rendszer teljes műszaki megbízhatósága mindenkor biztosított legyen.

EZÉRT A KÖVETKEZŐK ÉRVÉNYESEK:

- Az üzemeltetőnek biztosítania kell a jelen kézikönyvben meghatározott karbantartási időközök betartását.
- Az üzemeltetőnek gondoskodnia kell arról, hogy minden biztonsági berendezés működési megbízhatóságát és teljességét rendszeresen ellenőrizze.

HU

2.4. A SZEMÉLYZETRE VONATKOZÓ KÖVETELMÉNYEK

2.4.1. KÉPZETTSÉGEK

A jelen útmutatóban leírt különböző feladatok különböző követelményeket támasztanak az e feladatokkal megbízott személyek képzettségével szemben.



FIGYELEM!

- **Veszély a személyek elégtelen képzettsége esetén!**

- A nem megfelelően képzett személyek nem tudják felmérni a kockázatokat a készülék kezelése során, és saját magukat és másokat is súlyos vagy halálos sérülés veszélyének teszik ki.
- Minden munkát csak szakképzett személyzet végezhet!
- Tartsa távol a munkaterülettől a nem megfelelően képzett személyeket!

Csak olyan személyek végezhetnek munkát, akikről elvárható, hogy a munkát megbízhatóan elvégezzék. A munkavégzés nem vehetnek részt olyan személyek, akik reakcióképessége pl. kábítószeres, alkoholos vagy gyógszeres befolyásoltság alatt áll.

A jelen útmutatóban az alább felsorolt személyek képzettségét nevezik meg a különböző feladatokhoz:

GÁZTECHNIKUS-MÉRNÖK

Szakképzettséggel rendelkezik a vonatkozó szabványok és irányelvek területén, olyan készségekkel, tapasztalatokkal és ismeretekkel bír, melyek alapján képes a nyomásszabályozó rendszereken végzett munkák elvégzésére és a lehetséges kockázatok azonosítására. A gáztechnikus-mérnökök speciális képzésben részesülnek az adott gyártási helyszínre és annak speciális szabványaira és irányelveire vonatkozóan.

TECHNIKUS

Szakképzettséggel rendelkezik a vonatkozó szabványok és irányelvek területén, készségekkel és tapasztalatokkal bír a nyomásszabályozó rendszereken végzett munkák elvégzéséhez és a lehetséges kockázatok azonosításához.

2.4.2. ILLETÉKTELEN SZEMÉLYEK



FIGYELMEZTETÉSE!

- **Életveszély illetéktelen személyek számára a veszély- és munkaterületen lévő veszélyek miatt!**

- Azok az illetéktelen személyek, akik nem felelnek meg az itt leírt követelményeknek, nem ismerik a munkaterületen uralkodó veszélyeket. Ezért az illetéktelen személyek esetében fennáll a súlyos sérülés vagy akár halál veszélye.
- Tartsa távol az illetéktelen személyeket a veszélyes területtől és a munkaterülettől!
- Kétség esetén szólítsa meg ezeket a személyeket, és utasítsa ki őket a veszélyes területről, ill. a munkaterületről!
- Állítsa le a munkát, amíg illetéktelen személyek tartózkodnak a veszélyes, ill. a munkaterületen!

2.4.3. KIOKTATÁS

Az üzemeltetőnek rendszeresen ki kell oktatnia a személyzetet. A jobb nyomon követés érdekében képzési protokollt kell készíteni, amelynek minimális tartalma a következők:

- Az oktatás dátuma
- Az oktatott személy neve
- Az oktatás tartalma
- Az oktató neve
- Az oktatott személy és az oktató aláírása

2.5. EGYÉNI VÉDŐFELSZERELÉS

Az egyéni védőfelszereléseket arra használják, hogy megvédjék a személyeket a munkahelyi biztonságot és az egészséget befolyásoló hatásoktól.

A személyzetnek a készüléken és a készülékkel végzett különböző munkák során egyéni védőfelszerelést kell viselnie, amelyre külön-külön hivatkoznak a jelen útmutató egyes részei.

LÉGZŐKÉSZÜLÉK, ÖNÁLLÓ LÉGZŐKÉSZÜLÉK



Védelem a káros gázok, gőzök, porok és hasonló anyagok ellen. Légzésvédő készüléket, például sűrített levegős légzőkészüléket kell használni, ha a környezeti levegőben a 17%-ot meghaladó oxigéntartalom nem biztosítható, és/vagy a környezeti levegőben lévő káros anyagok megengedett határértékének túllépése nem zárható ki.

Önálló légzőkészüléket csak speciálisan képzett személyzet viselhet.

LÉGZŐKÉSZÜLÉK, ÖNÁLLÓ LÉGZŐKÉSZÜLÉK



Védelem a káros gázok, gőzök, porok és hasonló anyagok ellen.

A keringő levegőtől függő légzésvédő eszközöket (szűrőberendezéseket) kell használni, ha nem zárható ki, hogy a környezeti levegőben lévő káros anyagok megengedett határértékei túllépésre kerülnek.

A keringő levegőtől függő légzésvédő eszközöket (szűrőberendezéseket) csak akkor szabad használni, ha a légzéshez használt levegő garantált oxigéntartalma 17% felett van.

VÉDŐSZEMÜVEG



Védelem a repülő alkatrészek és csöpögés ellen.

KESZTYŰ, VEGYSZERÁLLÓ



A kezek védelme az agresszív anyagok ellen. Ügyeljen arra, hogy a kesztyű szorosan zárt legyen. Használat után a kesztyűt szakszerűen ártalmatlanítsa.

VÉDŐKESZTYŰ



A kezek védelme a mechanikai hatások és a forró, valamint a hideg felületek ellen.

FÜLVÉDŐ VISELETE



Védi a hallószerveket a túl hangos zajoktól, és megakadályozza a hangterhelés okozta sérüléseket.

2.6. VISELKEDÉS TŰZ ESETÉN ÉS BALESETNÉL

MEGELŐZŐ INTÉZKEDÉSEK

- Mindig legyen felkészülve tüzre és balesetekre!
- Legyen biztosítva működőképes elsősegélynyújtó felszerelés (elsősegélydoboz, takarók stb.) és tűzoltó berendezés, és azokat mindig tartsa elérhető közelségben.
- A személyzet köteles megismerkedni a balesetek jelentési módszereivel, az elsősegélynyújtási és mentési lehetőségekkel.
- A megközelítési útonalakat a vészhelyzeti járművek számára szabadon kell tartani.

INTÉZKEDÉSEK TŰZ ÉS BALESETEK ESETÉN

- Ha saját testi épsége nincs veszélyben, mentse ki a személyeket a veszélyzónából.
- Szükség esetén kezdje meg az elsősegélynyújtási intézkedéseket.
- Riassza a tűzoltóságot és/vagy a mentőszolgálatot.
- Tűz esetén: Ha nincs veszélyben a saját testi épsége, kezdje meg a tűzoltást tűzoltó készülékkel, és folytassa a tűzoltóság kiérkezéséig.
- Tájékoztassa az illetékest a bevetési helyen.
- A megközelítési útonalakat a mentőjárművek számára mindig tartsa szabadon.
- Irányítsa a mentőjárműveket.

HU

2.7. KÖRNYEZETVÉDELEM



ÉRTESTÍTÉS!

- **Környezeti károk veszélye a veszélyes anyagok helytelen kezelése miatt!**
- A környezetre veszélyes anyagok helytelen kezelése, különösen a helytelen ártalmatlanítás jelentős környezeti károkat eredményezhet.
- A környezetre veszélyes anyagok kezelésére és ártalmatlanítására vonatkozó alábbi utasításokat mindig tartsa be!
- Ha a környezetre veszélyes anyagok véletlenül a környezetbe kerülnek, azonnal tegye meg a megfelelő óvintézkedéseket. Kétség esetén értesítse az illetékes helyi hatóságot a kárról, és kérje a megfelelő intézkedések foganatosítását.

2.8. TÁBLÁK

HU



FIGYELEM!

- **Olvashatatlan táblák esetén veszély áll fenn!**
- Idővel a matricák és táblák szennyeződhetnek vagy más módon felismerhetetlenné válhatnak, így a veszélyeket nem lehet felismerni, és a szükséges kezelési utasításokat nem lehet követni. Ez sérülésveszélyhez vezet.
- Mindig tartsa olvasható állapotban az összes biztonsági, figyelmeztető és kezelési utasítást.
- A sérült táblákat vagy matricákat azonnal cserélje ki újakra.

2.8.1. UTASÍTÓ JELZÉS

- Nincs jelzés

2.8.2. TILTÓ JELZÉS

- Nincs jelzés

2.8.3. FIGYELMEZTETŐ JELZÉS



FIGYELMEZTETÉS
GÁZPALACKOKRA



FIGYELMEZTETÉS
ROBBANÁSVESZÉLYES
LÉGKÖRRE

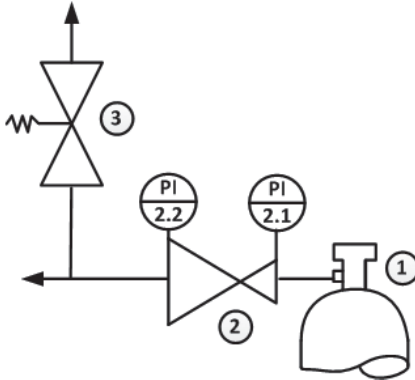


FIGYELMEZTETÉS MÉRGEZŐ
ÉS/VAGY MARÓ ANYAGOKRA

3. MŰSZAKI ADATOK

3.1. FOLYAMATÁBRA - EGYFOKOZATÚ VÁLTOZAT

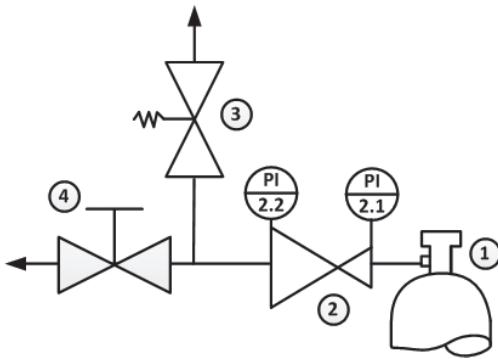
C12HV/1



- 1 - GÁZPALACK
- 2 - NYOMÁSSZABÁLYOZÓ
- 3 - LEFÚVÓSZELEP

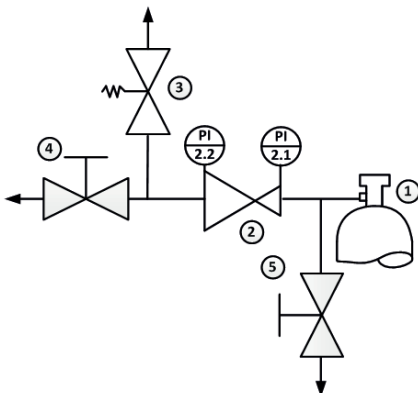
HU

C12HV/1 A



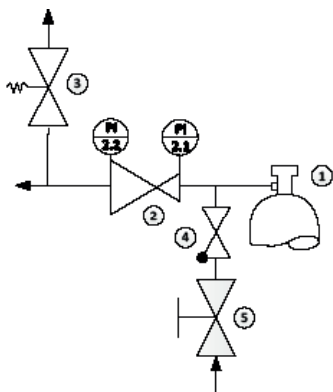
- 1 - GÁZPALACK
- 2 - NYOMÁSSZABÁLYOZÓ
- 3 - NYOMÁSCSÖKKENTŐ SZELEP
- 4 - ELZÁRÓSZELEP

C12HV/1 B



- 1 - GÁZPALACK
- 2 - NYOMÁSSZABÁLYOZÓ
- 3 - LEFÚVÓSZELEP
- 4 - SZABÁLYOZÓ SZELEP
- 5 - TISZTÍTÓ SZELEP

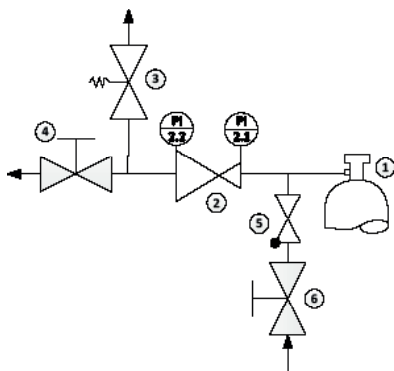
C12HV/1 TP



- 1 - GÁZPALACK
- 2 - NYOMÁSSZABÁLYOZÓ
- 3 - LEFÚVÓSZELEP
- 4 - VISSZACSAPO SZELEP
- 5 - IDEGENGÁZ-ÖBLÍTŐSZELEP

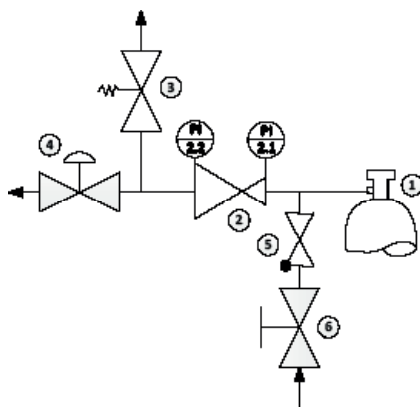
HU

C12HV/ TPA



- 1 - GÁZPALACK
- 2 - NYOMÁSSZABÁLYOZÓ
- 3 - LEFÚVÓSZELEP
- 4 - ELZÁRÓSZELEP
- 5 - VISSZACSAPO SZELEP
- 6 - IDEGENGÁZ-ÖBLÍTŐSZELEP

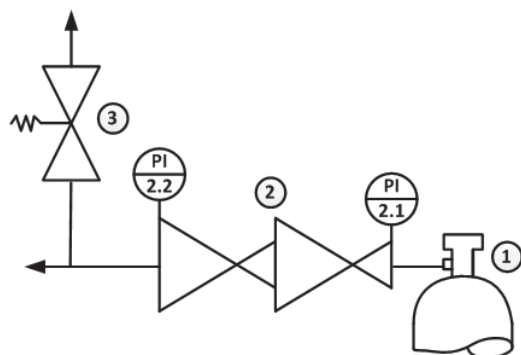
C12HV/ TPB



- 1 - GÁZPALACK
- 2 - NYOMÁSSZABÁLYOZÓ
- 3 - LEFÚVÓSZELEP
- 4 - SZABÁLYOZÓ SZELEP
- 5 - VISSZACSAPO SZELEP
- 6 - IDEGENGÁZ-ÖBLÍTŐSZELEP

3.2. FOLYAMATÁBRA - KÉTFOKOZATÚ VÁLTOZAT

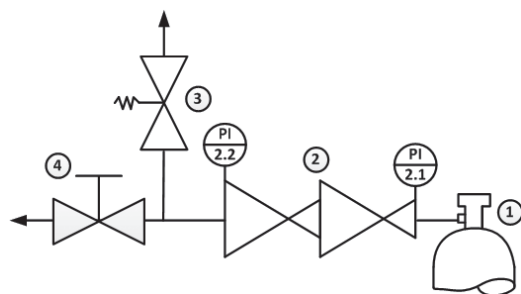
C200HV/2



- 1 - GÁZPALACK
- 2 - NYOMÁSSZABÁLYOZÓ
- 3 - LEFÚVÓSZELEP

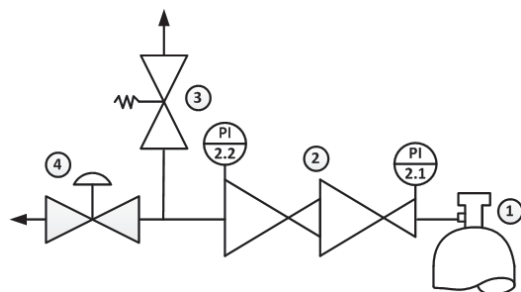
HU

C200HV/2 A



- 1 - GÁZPALACK
- 2 - NYOMÁSSZABÁLYOZÓ
- 3 - NYOMÁSCSÖKKENTŐ SZELEP
- 4 - ELZÁRÓSZELEP

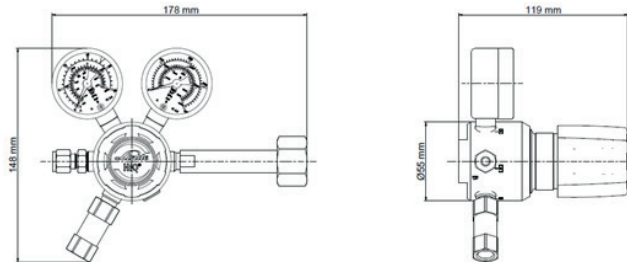
C200HV/2 B



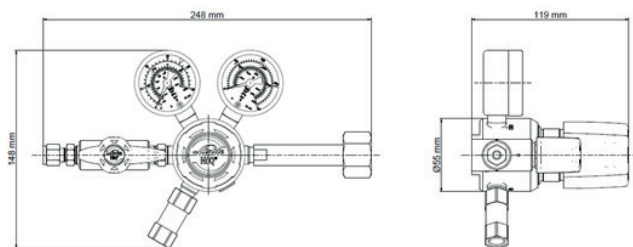
- 1 - GÁZPALACK
- 2 - NYOMÁSSZABÁLYOZÓ
- 3 - LEFÚVÓSZELEP
- 4 - SZABÁLYOZÓ SZELEP

3.3. MÉRETLAP EGYFOKOZATÚ

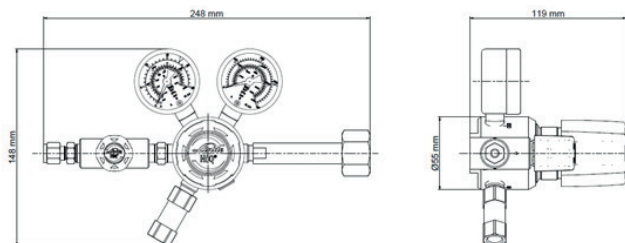
HU



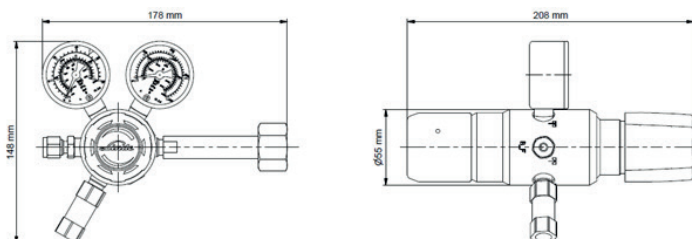
A VERZIÓ | EGYFOKOZATÚ



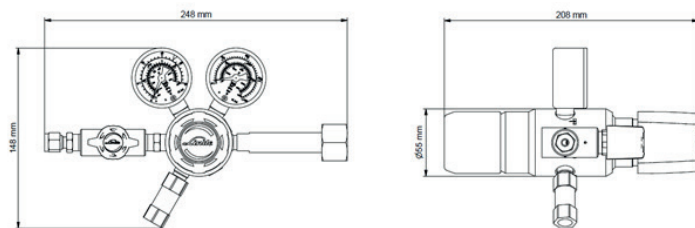
B VERZIÓ | EGYFOKOZATÚ



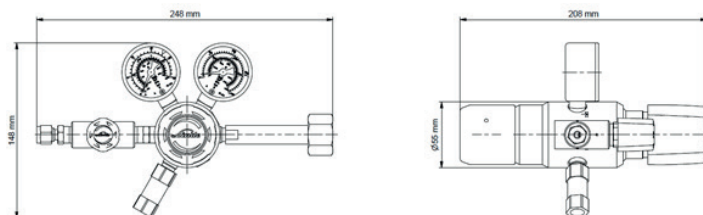
KÉTFOKOZATÚ



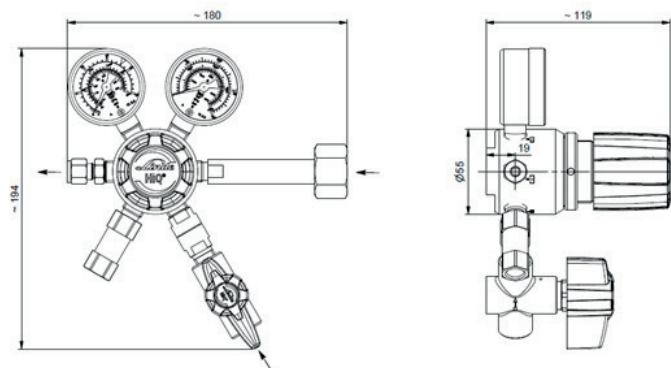
A VERZIÓ | KÉTFOKOZATÚ



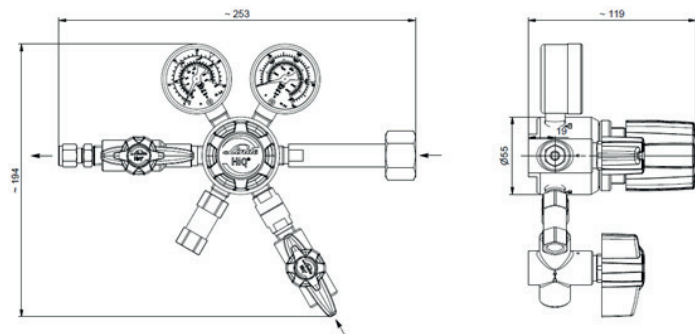
B VERZIÓ | KÉTFOKOZATÚ



TP VERZIÓ | EGYFOKOZATÚ

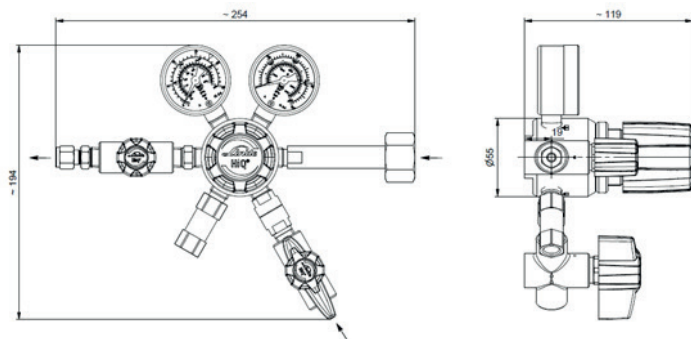


TPA VERZIÓ | EGYFOKOZATÚ



HU

TPB VERZIÓ | EGYFOKOZATÚ



HU

3.4. ÁLTALÁNOS ADATOK

Adat	Adat Egyfokozatú Krómozott sárgaréz	Kétfokozatú Krómozott sárgaréz	Egyfokozatú Nemesacél	Kétfokozatú Nemesacél
max. súly [kg]	2,5	3,3	4,04	4,93
Hosszúság [mm]	223	223	263	263
Szélesség [mm]	114	202	114	202
Magasság [mm]	168	168	168	168

3.5. CSATLAKOZTATÁSI ÉRTÉKEK

Adat	Érték	Egység
Bemenet	DIN477 AFNOR BS CGA stb.	Palackcsatlakozások
Kimenet	1/8", 1/4", 3/8", 1/2" 3, 6, 8, 10, 12 4,8; 6,4; 8,0	Szorítógyűrűk col Szorítógyűrűk mm Csókarmantyú mm (max. 15 bar)
Lefúvószelep	1/4"	Hüvelykes szorítógyűrűk

3.6. TELJESÍTMÉNYADATOK

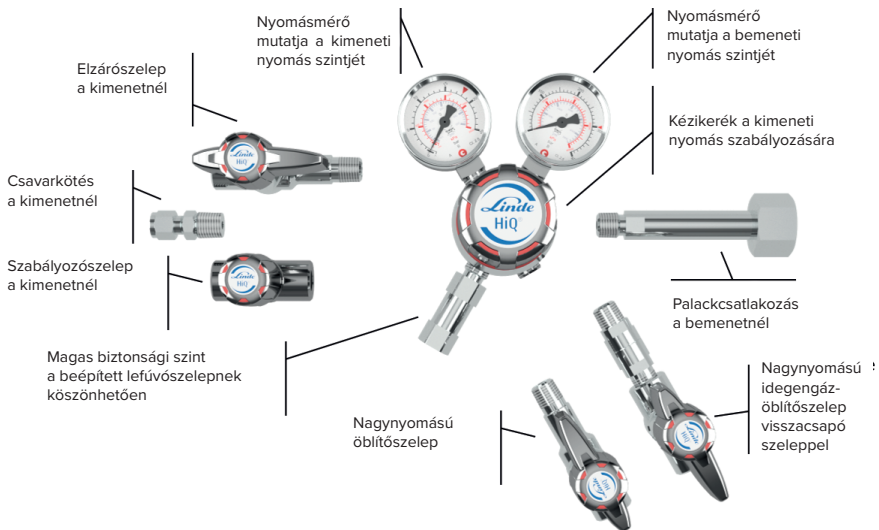
Adat	Érték	Egység
Névleges átfolyás (ISO 2503)	20 (sűrített levegő)	m ³ /h
Bemeneti nyomás (max.)	C12hv - 12 bar C200hv - 200 bar	bar
Kimeneti nyomás (max.)	200 (a bemeneti nyomástól függően)	bar értékben

3.7. ÜZEMELTETÉSI FELTÉTELEK - KÖRNYEZET

Adat	Érték	Egység
Hőmérséklet-tartomány	-20 till +60	°C
Relatív páratartalom (max.)	98	%

4. FELÉPÍTÉS ÉS MŰKÖDÉS

4.1. SÁRGARÉZ KRÓMOZOTT VÁLTOZAT



HU

4.2. RÖVID LEÍRÁS

A palacknyomás-szabályozó kézi működtetése a kézikerékkel történik. A bemeneti és a kimeneti nyomás leolvasható a bemeneti, illetve a kimeneti nyomásmérőn. A kezeléshez különböző kiegészítő komponensek tartoznak:

- Elzárószelep a kimenetnél a kimeneti nyomás elzárásához.
- Szabályozószelep a kimenetnél a kimeneti nyomás szabályozásához.
- Idegen gázok tisztítószelvénye visszacsapó szeleppel a bemeneti nagy nyomású oldal tisztításához.

5. SZÁLLÍTÁS, CSOMAGOLÁS ÉS TÁROLÁS



TIPPEK ÉS AJÁNLÁSOK!

- A telepítést és az első üzembe helyezést ideális esetben a gyártó alkalmazottai vagy az általa felhatalmazott személyek végzik el.
- Mindazonáltal előfordulhat, hogy a telepítés és a további használat során a kezelőt vagy az üzemeltető karbantartó személyzetét bízzák meg a csomagok kezelésével. Ennek során az alábbi utasításokat feltétlenül be kell tartani.

5.1. BIZTONSÁGI UTASÍTÁSOK A SZÁLLÍTÁSHOZ



FIGYELEM!

- **Anyagi károk a szakszerűtlen szállítás következtében!**
- Szakszerűtlen szállítás esetén a szállítandó darabok leeshetnek vagy felborulhatnak. Ez jelentős anyagi károkat okozhat.
- Legyen óvatos a szállított darabok kirakodásakor a kiszállításkor és a belső szállítás során, és vegye figyelembe a csomagoláson található szimbólumokat és utasításokat.
- Csak a megadott rögzítési pontokat használja.
- Csak röviddel az összeszerelés előtt távolítsa el a csomagolást.

5.2. SZÁLLÍTÁSI ELLENŐRZÉS

Átvételkor haladéktalanul ellenőrizze a szállítmányt teljesség és szállítási sérülések szempontjából. KÜLSŐLEG LÁTHATÓ SZÁLLÍTÁSI SÉRÜLÉS ESETÉN A KÖVETKEZŐKÉPPEN JÁRJON EL: n

- Ne vagy csak fenntartásokkal vegye át a szállítmányt.
- Jegyezze fel a sérülés mértékét a fuvarokmányokon vagy a fuvarozó szállítólevelén.
- Indítsa el a reklamációs eljárást.



TIPPEK ÉS AJÁNLÁSOK!

- Azonnal reklamáljon bármilyen hibát, amint azt észleli. Kártérítési igényt csak a jótállási időn belül lehet benyújtani.

5.3. CSOMAGOLÁS

Az egyes csomagokat a várható szállítási körülményeknek megfelelően csomagolják. A csomagoláshoz kizárólag környezetbarát anyagok kerülnek felhasználásra.

A csomagolás célja, hogy az egyes alkatrészeket az összeszerelésig megvédje a szállítási sérülésektől, korróziótól és egyéb károsodásoktól. Ezért ne semmisítse meg a csomagolást, és csak röviddel az összeszerelés előtt távolítsa el.



ÉRTESELTÉS!

- **Környeztkárosítás veszélye a helytelen ártalmatlanítás következtében!**
- A csomagolóanyagok értékes nyersanyagok, és sok esetben újra felhasználhatók vagy újrahasznosíthatók. A csomagolóanyagok helytelen ártalmatlanítása veszélyes lehet a környezetre.
- A csomagolóanyagokat környezetbarát módon ártalmatlanítsa.
- Tartsa be a helyileg érvényes ártalmatlanítási előírásokat. Szükség esetén egy erre szakosodott vállalkozást bízzon meg az ártalmatlanítással.

5.4. TÁROLÁS

A csomagokat a következő feltételek mellett tárolja:

- Ne tárolja a szabadban.
- Száraz és pormentes helyen tárolja.
- Ne tegye ki agresszív közegek hatásának.
- Védje a napfénytől.
- Kerülje a mechanikai ütéseket.
- Tárolási hőmérséklet: 15 és 35 °C között.
- Relatív páratartalom: max. 60 %.
- 3 hónapnál hosszabb ideig tartó tárolás esetén rendszeresen ellenőrizze az összes alkatrész és a csomagolás általános állapotát. Szükség esetén távolítsa el vagy újítsa meg a konzerválószeret.



TIPPEK ÉS AJÁNLÁSOK!

- Bizonyos körülmények között a csomagokra az itt említetteken túlmutató tárolási utasítások is vonatkozhatnak. Ezeknek megfelelően járjon el.

6. TELEPÍTÉS ÉS ELSŐ ÜZEMBE HELYEZÉS

6.1. BIZTONSÁGI UTASÍTÁSOK A TELEPÍTÉSHEZ ÉS AZ ELSŐ ÜZEMBE HELYEZÉSHEZ

SZEMÉLYZET

A telepítést és az első üzembe helyezést csak szakképzett személyzet végezheti el.

6.2. ELŐKÉSZÜLETEK

KICSOMAGOLÁS

- Az alkatrészeket óvatosan és körültekintően csomagolja ki.
- Távolítsa el a további csomagolóanyagokat is.
- Az összes alkatrészt ellenőrizze esetleges szállítási sérülések vonatkozásában

TEHERMENTESÍTÉS

- Az adott esetben meglévő berendezésekben a gáznyomást tehermentesítse, szükség esetén öblítse át inert gázzal
- Az adott esetben meglévő berendezésekben a csővezetéseket speciális szerszámokkal válassza le, közben ügyeljen a forgácsok megelőzésére
- Ügyeljen a csatlakozó alkatrészek kifogástalan állapotára és tisztaságára

6.3. TELEPÍTÉS

Csak a különböző gázoknak, valamint a nemzeti és nemzetközi irányelveknek (DIN477, CGA, AFNOR stb.) megfelelő palackcsatlakozású nyomáscsökkentőket használjon.



VESZÉLY!

- A palackszelep és a hollandi anya meneteinek tökéletes állapotban kell lenniük.



FIGYELEM!

- Mindig csak új tömítéseket használjon. A tömítések nem lehetnek deformáltak, és nem mutathatják szennyeződések vagy fémforgácsok nyomait.
- Egy tömítési ponton több tömítés használata nem megengedett. A használt tömítéseket el kell távolítani.



FIGYELEM!

- Ne használjon kulcs hosszabbítót, különben tönkremehet a menet és a tömítés.
- Ez szivárgáshoz, gáz ellenőrzetlen kilépéséhez vagy a gázkészlet teljes kiáramlásához vezethet.
- A használt tömítéseket el kell távolítani.



FIGYELEM!

- Mérgező vagy maró gázokat tartalmazó palackok csatlakoztatásakor vagy cseréjekor a megfelelő személyi óvintézkedések kell fogantatni (légzésvédelem, szemvédelem és védőruházat).
- Ügyeljen a MAK-értékek betartására (lásd a Veszélyes anyagok műszaki szabályai, TGRS 900), készítsen elő megfelelő légzésvédelmi szűrőt. Kizárólag öblítőberendezéssel ellátott palacknyomás-szabályozót használjon.



VIGYÁZAT!

- Csatlakoztatás előtt a típustábla segítségével ellenőrizni kell, hogy a meglévő szerelvény alkalmas-e alkalmas a rendeltetés szerű használatra.

6.3.1. ELŐKÉSZÍTÉS

Csak olyan nyomásszabályozók használhatók, amelyek palackcsatlakozásai megfelelnek a használt gáztípusnak megfelelő szabványnak (DIN477, CGA, AFNOR stb.).

6.3.2. A GÁZPALACK CSATLAKOZTATÁSA

Helyezze be az adott palackcsatlakozásnak és gáztípusnak megfelelő tömítést.

Először csavarja fel kézzel a hollandi anyát a palack szelepcsatlakozására.

Figyeljen a jobbos és balos menetre!

Helyezze fel a nyomásszabályozót - ne döntse az élére!

Húzza meg a hollandi anyát a megfelelő villáskulccsal. Figyelem, ne használjon kulcs hosszabbítót, különben tönkremehet a menet és a tömítés. Ez szívárgáshoz és a gázkészlet ellenőrizetlen kiáramlásához vezethet (teljes gázvesztesség!).

Kézi csatlakozású palackcsatlakozások esetén a hollandi anyát kézzel szorosan húzza meg.

Vigyázat, ne használjon kulcsokat, különben a kapaszkodófelület tönkremehet.



A csatlakozóvezetékek általában szorítógyűrűs csavarkötésekkel vannak felszerelve. Először távolítsa el a zárókupakokat

a csatlakozókról. Az összeszereléshez a csővezetékét teljesen helyezze be a szorítógyűrűs csavarkötésbe. Ezután csavarja fel kézzel a hollandi anyát, és húzza meg egy villáskulccsal (az első telepítésnél 1/4 fordulat szükséges 1/8 colnál nagyobb csővezetékéknél és 3/4 fordulat szükséges 1/8 colos vagy kisebb csővezetékéknél, az ismételt telepítésnél pedig 1/4 fordulat szükséges minden csővezetékénél). A lefűvővezetékét ugyanígy kell csatlakoztatni a lefűvőszelepphez.

Kérjük, vegye figyelembe a gyártó utasításait és az anyagok alkalmasságát bizonyos gázokhoz és nyomástartományokhoz.

A palacknyomás-szabályozó 15 bar maximális kimeneti nyomással és csőkarmantyúval érhető el.

A kifolyócső kúpos alakja megkönnyíti a tömlő csatlakoztatását.

TP, TPA, TPB típus, idegengáz-öblítőszeleppel

Az idegengáz-öblítőszeleppel (TP, TPA, TPB) ellátott palacknyomás-szabályozókhöz egy további csatlakozóvezetékét kell csatlakoztatni az idegen gáz számára a fent leírtak szerint.

6.4. AZ ELSŐ ÜZEMBE HELYEZÉS ELŐFELTÉTELE

- A csőrendszerek vizsgálati jegyzőkönyvei a tömítettség, szükség esetén a nedvességA technológiai gáztömlőket, a légtelenítő és az öblítő gáztömlőket, a biztonsági szelep és a visszacsapószelep tömlőket, ha vannak ilyenek, csatlakoztatni kell. és a részecskék vonatkozásában rendelkezésre állnak.
- A termékgáz-vezetékben csak normál gáz van. (lásd az 1.2. pontot)
- Az üzembe helyezést csak az erre felhatalmazott szakképzett személyzet végezheti el.
- Csak szikramentes szerszámokat használjon, és azokat szerelés előtt készítse elő.
- A védőruházatot az előírásoknak megfelelően kell viselni.
- Az első üzembe helyezés előtt ellenőrizze a típustáblán, hogy a meglévő palacknyomás- csökkentő alkalmas-e a tervezett alkalmazásra (gáz, nyomás, anyag stb.)
- Maró, mérgező gázok és nemesacél palacknyomás-csökkentő **TP, TPA, TPB, EP, EPA** és/vagy **TPB** változatának használata esetén az üzembe helyezés előtt idegen gázzal öblítést kell végezni (lásd a 6.5.2. pontot).

6.5. ELSŐ ÜZEMBE HELYEZÉS

- Teljesül a 6.4 pont szerinti összes előfeltétel
- A palacknyomás-szabályozó tehermentesítve (zárva) van, azaz a kézikerek teljesen ki van fordítva (balra)
- Maró és/vagy mérgező gázok és a palacknyomás-szabályozó TP, TPA, TPB nemesacélból készült változata használata esetén az első üzembe helyezés előtt inert gázzal öblítést kell végezni (lásd a 6.5.2. pontot).



FIGYELEM!

- Feltétlenül ügyeljen arra, hogy a palacknyomás-szabályozó ne lépje túl a megengedett üzemi nyomást.

6.5.1. A TERMÉKGÁZ-VEZETÉK FELTÖLTÉSE TERMÉKGÁZZAL

A nyomásszabályozó kézikerek lassú, az óramutató járásával megegyező irányú elforgatásával állítsa be a kívánt kimeneti nyomást. A palacknyomás-szabályozó üzembe helyezése ezennel megtörtént. Ajánlatos naponta ellenőrizni a nyomásszabályozót és a nyomásokot

6.5.2. A PALACK CSERÉJE

Ha maró és/vagy mérgező gáz és a palacknyomás-szabályozó TP, TPA, TPB nemesacélból készült változata kerül alkalmazásra, a palack cseréje előtt inert gázzal öblítést kell végezni (lásd a 6.5.2. pontot).



ÉRTESÍTÉS!

Használjon száraz, tiszta öblítőgázt az inert gázzal történő öblítéshez. Javasoljuk az alkalmazásnak megfelelő tisztaságú gáz használatát.



FIGYELEM!

- Mérgező vagy maró gázokat tartalmazó palackok csatlakoztatásakor vagy cseréjekor megfelelő személyi óvintézkedések kell fogantósítani (légzésvédelem, szemvédelem és védőruházat).
- Ügyeljen a MAK-értékek betartására (lásd a Veszélyes anyagok műszaki szabályai, TGRS 900), készítsen elő megfelelő légzésvédelmi szűrőt.



VESZÉLY!

- Ha a nyomás alatt álló gázpalackból mérgező és/vagy maró gázok kerültek vételezésre, az üres palack cseréje előtt öblítse át a nyomás alatt álló egységet inert gázzal (idegen gázzal való öblítés). Ez biztosítja, hogy a rendszerben lévő maradékgáz az öblítőgáz-vezetéken keresztül távozik

ELŐKÉSZÜLETEK

1. Zárja le erősen a gázpalack szelepét
2. A nyomásszabályozót teljesen őrítse ki, a bemeneti és a kimeneti nyomásmérő mutatóinak 0" értéken kell állniuk
3. A nyomásszabályozó kézikereket az óramutató járásával ellentétes irányba fordítsa el, ameddig csak lehet, és zárja el a nyomásszabályozót
4. Zárja el a kimeneti elzáró vagy szabályozó szelepet, ha van
5. A P, TP, TPA, TPB változatok esetében először végezze el az öblítési vagy nyomásmentesítési eljárást

ÖBLÍTÉSI ELJÁRÁS

Öblítési eljárás a magasnyomású oldalon lévő idegengáz-öblítő szeleppel ellátott palacknyomás-szabályozók esetében (TP, TPA, TPB)

A Ellenőrizze, hogy előírászerűen csatlakoztatták-e az öblítőgáz-bemenetet és a termék-gáz-kimenetet

B Zárja el az összes szelepet

C Zárja el a nyomásszabályozót a kézikerek óramutató járásával ellentétes irányba történő elfordításával

D Nyissa ki az idegengáz-öblítő szelepet

E Zárja be az idegengáz-öblítő szelepet

F Nyissa ki röviden a nyomásszabályozót és a kimeneti elzáró vagy kimeneti szabályozó szelepet, és engedje ki az öblítőgázt a palacknyomás-szabályozó kimenetén keresztül

G Zárja be a palacknyomás-szabályozót és a kimeneti elzáró vagy kimeneti szabályozó szelepet

A tökéletes tisztítási eredmény érdekében tízszer ismétlje meg a D - G lépéseket.

HU

6. Lazítsa meg a gázpalack hollandi anyáját egy villáskulccsal. Amennyiben a palackcsatlakozó kézi csatlakoztatású, lazítsa meg kézzel a hollandi anyát.
7. Csatlakoztassa az új palackokat a fent leírtak szerint (6.3.1. pont)..

6.5.3. ÜZEMEN KÍVÜL HELYEZÉS

Ha maró és/vagy mérgező gáz és a palacknyomás-szabályozó TP, TPA, TPB nemesacélból készült változata kerül alkalmazásra, az üzemben kívül helyezés előtt inert gázzal öblítést kell végezni (lásd a 6.5.2. pontot).



VIGYÁZAT!

- A kiszereles során alapvetően a következőket kell betartani: A nyomásszabályozót és a vezetékeket a gáznak a fogyasztón keresztül való elvezetésével tehermentesítse, az előremenő és a visszatérő nyomásmérők mutatójának teljesen „0”-n kell állniuk.
 - Maró vagy mérgező gázok esetén öblítse át az összes alkatrészt inert gázzal.
 - Fogantatósíton megfelelő személyi óvintézkedéseket (légzésvédelem, szemvédelem és védőruházat).
 - Ügyeljen a MAK-értékek betartására (lásd a Veszélyes anyagok műszaki szabályai, TGRS 900), készítsen elő megfelelő légzésvédelmi szűrőt.
1. Zárja le erősen a gázpalack szelepét
 2. A nyomásszabályozót teljesen ürítse ki, a bemeneti és a kimeneti nyomásmérő mutatóinak a „0” értéken kell állniuk
 3. A nyomásszabályozó kézikerekét az óramutató járásával ellentétes irányba fordítsa el, ameddig csak lehet, és zárja el a nyomásszabályozót
 4. Zárja el a kimeneti elzáró vagy szabályozó szelepet, ha van
 5. **TP, TPA, TPB** változatok esetében először végezzen öblítést (lásd a 6.5.2. pontot)
- Zárja el a palacknyomás-szabályozót a nyomásszabályozó kézikereknek az óramutató járásával ellentétes irányba történő elfordításával.
 - Tehermentesítse a csővezetékét!
 - A palacknyomás-szabályozó üzemben kívül helyezése ezennel megtörtént. Mostantól elvégezhetők a javítási és karbantartási munkák.

6.6. ELLENŐRZÉSEK

- A nyomás alá helyezés után ellenőrizze a nyomásszabályozó működését.
- Ellenőrizze a lefúvószelep tömítettségét.

7. ÜZEMELTETÉS

A 2.1. fejezet szerint a palacknyomás-szabályozó működése a szabványos gázokra került definiálásra.



VIGYÁZAT!

- A kézi szelepeket mindig lassan és óvatosan nyissa ki, hogy elkerülje a rendszerben a nyomás okozta ütéseket, és hogy védje a többi alkatrészt.

A gázélvétel rövid megszakításához elegendő a szabályozó elzáró- vagy szabályozószelepét elzárni. Hosszabb megszakítások esetén a szabályozót az óramutató járásával ellentétes irányba forgatva kell nyomásmentesíteni. Biztonsági okokból zárja el a palackszelepet.

8. KARBANTARTÁS

8.1. BIZTONSÁGI UTASÍTÁSOK A KARBANTARTÁSHOZ



FIGYELEM!

- Karbantartási munkákat csak képzett, kioktatásban részesült és felhatalmazott személyzet végezhet. (lásd a 2.4. fejezetet).

8.2. KARBANTARTÁSI TERV

A következő szakaszok a készülék optimális és problémamentes működéséhez szükséges karbantartási műveleteket írják le. Ha a rendszeres ellenőrzés során fokozott kopást tapasztal, a tényleges kopásnak megfelelően rövidítse meg az előírt karbantartási időközöket.



ÉRTESTÍTÉS!

- A karbantartási munkákkal és a karbantartási időközökkel kapcsolatos kérdésekkel forduljon az ügyfélszolgálathoz.

8.3. KARBANTARTÁSI MUNKÁK

8.3.1. TISZTÍTÁS



MEGJEGYZÉS!

- A tisztítószernek kompatibilisnek kell lenniük azokkal az anyagokkal, amelyekkel érintkeznek.

8.3.2. A KARBANTARTÁS ELŐFELTÉTELE

A KARBANTARTÁS MEGKEZDÉSE ELŐTT ELLENŐRIZZE, HOGY

- A gázellátás meg van szakítva és biztosították.
- A nyomásmentesítő állomás nyomásmentes.
- A nyomásszabályozót nyomásmentesítették.
- A szelep zárva van.
- Nincs több termékgáz a rendszerben.
- A rendszert inert gázzal átöblítették.

8.3.3. SZÜKSÉGES KARBANTARTÁSI MUNKA

- A nyomáskijelzők kijelzési pontosságának ellenőrzése.
- Nyomáscsökkentő állomás, nyomásszabályozó, szelepek és nyomásjelzők: Ellenőrzés működés, állapot és jelölés vonatkozásában.
- A jelölés ellenőrzése.
- Korrózió ellenőrzése.
- Működés ellenőrzése.
- Végezze el a tömítettségvizsgálatot 12 órán át tartó, 1-szeres üzemi nyomáson.
- Az elkopott és meghibásodott alkatrészeket azonnal ki kell cserélni, ezzel a munkával minden esetben feljogosított szakvállalkozást bízson meg.
- A szelepeket az ISO 10297 szabvány szerint tervezték. Ez magában foglal egy típusvizsgálatot, melynek során a szelepet 2000 ciklusig tartó élettartam-tesztnak vetették alá. 2000 ciklus után cserélje ki azokat a belső alkatrészeket, amelyek érintkeznek a közeggel; ezt a munkát mindig egy erre feljogosított szakvállalkozásnak kell elvégeznie.
- Ha szivárgást vagy túlzott korróziót talál a nyomáscsökkentő állomásokon/nyomásszabályozókon vagy szelepeken, ezeket is teljesen ki kell cserélni a következő lehetséges leválasztható csatlakozások között, ezt a munkát mindig egy erre feljogosított szakvállalkozásnak kell elvégeznie.
- Az alkatrészek vagy csőszerelvények cseréje után a nyomáspróbákat újra el kell végezni és dokumentálni kell.

8.4. INTÉZKEDÉSEK A KARBANTARTÁS BEFEJEZÉSE UTÁN

A KARBANTARTÁSI MUNKÁK BEFEJEZÉSE UTÁN ÉS A NYOMÁSCSÖKKENTŐ ÁLLOMÁS, A NYOMÁSSZABÁLYOZÓ VAGY A SZELEP ISMÉTelt ÜZEMBE HELYEZÉSE ELŐTT VÉGEZZE EL A KÖVETKEZŐ LÉPÉSEKET:

1. Győződjön meg róla, hogy minden felhasznált szerszámot, anyagot és egyéb felszerelést eltávolítottak a munkaterületről.
2. Tisztítsa meg a munkaterületet, és távolítsa el a kiömlött anyagokat, pl. folyadékokat, feldolgozóanyagokat és hasonlókat.
3. Győződjön meg róla, hogy a rendszer összes biztonsági berendezése megfelelően működik.

HU

9. ZAVAROK

A következő fejezet a hibák lehetséges okait és a hibák elhárításához szükséges teendőket ismerteti. Ha zavarok gyakrabban fordulnak elő, a karbantartási időközöket a tényleges terhelésnek megfelelően kell lerövidíteni. Olyan zavarok esetén, amelyek nem orvosolhatók a következő utasítások szerint, forduljon a gyártóhoz.

9.1. BIZTONSÁGI UTASÍTÁSOK A ZAVARELHÁRÍTÁSHOZ

Hiba esetén mindig zárja el a gázellátást, tehermentesítse a nyomásszabályozót, és zárja el a szelepeket. Soha ne végezzen karbantartási munkálatokat nyomás alatt lévő alkatrészekben.

VISELKEDÉS ZAVAROK ESETÉN:

1. Kapcsolja ki a gázellátást, és biztosítsa visszakapcsolás ellen.
2. Tehermentesítse a nyomásszabályozót, zárja el a szelepeket.
3. A zavarelhárítást csak szakképzett személyzet végezheti.
4. Állítsa vissza a készüléket kiindulási helyzetbe.

HU

Leírás	Ok	Megoldás	Szelepek	Palacknyomásszabályozó	Veze-téknyomásszabályozó	Tehe-rmentesítő állomások
Nincs átfolyás (a bemeneti nyomásmérő nyomást mutat, a kimeneti nyomásmérő nem mutat nyomást)	Nyomás-szabályozó zárva	Lassan nyissa ki a nyomássza-bályozót, zárja be az blítőszelepet		<input checked="" type="checkbox"/>	<input checked="" type="checkbox"/>	<input checked="" type="checkbox"/>
Nincs átfolyás (mindkét nyomásmérő nullát mutat)	Palackszelep zárva Üzemigáz-szelep zárva Nyomásszabályozó zárva Spirál/tömlő nincs csatlakoztatva	Üzembe helyezés a 6. pont szerint. Telepítés és első üzembe helyezés		<input checked="" type="checkbox"/>	<input checked="" type="checkbox"/>	<input checked="" type="checkbox"/>
Nincs átfolyás	Nyomás-szabályozó zárva	Lassan nyissa ki a nyomássza-bályozót	<input checked="" type="checkbox"/>			
Kilépő nyomás növekedik és a lefűvőszelep kinyílik	Szivárgás a nyomásszabályozó ülésében	Javítás a gyártó által		<input checked="" type="checkbox"/>	<input checked="" type="checkbox"/>	<input checked="" type="checkbox"/>
A kilépő nyomás enyhe növekedése & a lefűvőszelep nem nyílik ki	Belépő nyomás csökkenése	Nincs hiba, normál működési állapot		<input checked="" type="checkbox"/>	<input checked="" type="checkbox"/>	<input checked="" type="checkbox"/>

Leírás	Ok	Megoldás	Szelepek	Palacknyomás-szabályozó	Veze-téknyomás-szabályozó	Tehe-rmentesítő állomások
Kilépő nyomás enyhe növekedése	Az áramlási nyomás (átfolyással) és a torlónyomás (átfolyás nélkül) közötti különbség	Nincs hiba, normál működési állapot		<input checked="" type="checkbox"/>	<input checked="" type="checkbox"/>	<input checked="" type="checkbox"/>
Kilépő nyomás enyhe csökkenése	A torlónyomás (nincs átfolyás) és a folyatónyomás (átfolyással) közötti különbség	Nincs hiba, normál működési állapot		<input checked="" type="checkbox"/>	<input checked="" type="checkbox"/>	<input checked="" type="checkbox"/>
Kilépő nyomás erős csökkenése	A nyomásszabályozóhoz szükséges átfolyás túl magas	Új nyomásszabályozó kiválasztása a szükséges nyomás és áramlási sebesség függvényében		<input checked="" type="checkbox"/>	<input checked="" type="checkbox"/>	<input checked="" type="checkbox"/>
Kilépő nyomás erős csökkenése	Szivárgó termék-gáz-vezeték	Termékgáz-vezeték ellenőrzése		<input checked="" type="checkbox"/>	<input checked="" type="checkbox"/>	<input checked="" type="checkbox"/>
Túl magas kimeneti nyomás	Szabályozó helytelen beállítása	Nyomásszabályozó beállítása, ismételt beállítása, karbantartása		<input checked="" type="checkbox"/>	<input checked="" type="checkbox"/>	<input checked="" type="checkbox"/>
Az ellennyomás azonnal a leállásig emelkedik, vagy az ellennyomás lassan a beállított érték fölé emelkedik, és a lefúvószelep elzáródik	Az ülés szennyeződése vagy sérülése „növekedés”	Javítás a gyártó által		<input checked="" type="checkbox"/>	<input checked="" type="checkbox"/>	<input checked="" type="checkbox"/>

HU

Leírás	Ok	Megoldás	Szelepek	Palacknyomá- szabály- ozó	Veze- tőkny- omás- szabály- ozó	Tehe- rmentesítő állomások
Zajok működés közben	A nyomásszabályozóhoz szükséges áramlás túl magas	Új nyomásszabályozó kiválasztása a szükséges nyomás és áramlási sebesség függvényében		<input checked="" type="checkbox"/>	<input checked="" type="checkbox"/>	<input checked="" type="checkbox"/>
A kézikerek elforgatása ellenére sem változik a szelepvezérlés	A kézikerek meghibásodott a túlzott nyomaték miatt, az orsó meghibásodott, a menet meghibásodott	Javítás a gyártó által	<input checked="" type="checkbox"/>	<input checked="" type="checkbox"/>	<input checked="" type="checkbox"/>	<input checked="" type="checkbox"/>
Nedvesség a nyomásszabályozón (NEM harmat, eső vagy hó)	A nyomásszabályozó a gáz tágulásával energiát von ki a környezetből	Nincs hiba, normál működési állapot		<input checked="" type="checkbox"/>	<input checked="" type="checkbox"/>	<input checked="" type="checkbox"/>
Jégképződés a nyomásszabályozón (NEM harmat, eső vagy hó)	A nyomásszabályozó a gáz tágulásával energiát von el a környezetből, a nyomás alatt álló gáztartályok korlátozott szállítási kapacitása, pl. N ₂ O, CO ₂ stb. esetén	Nincs hiba, normál működési állapot FIGYELEM: Ügyeljen a kontaktmanométer működőképességére, növelje a nyomás alatt álló gáztartályok számát		<input checked="" type="checkbox"/>	<input checked="" type="checkbox"/>	<input checked="" type="checkbox"/>

Ez a táblázat nem a teljesség igényével készült. Ha bármilyen kérdése van vagy ha valami nem egyértelmű, kérjük, forduljon a gyártóhoz.

10. SZÉTSZERELÉS ÉS ÁRTALMATLANÍTÁS

Amikor a készülék elérte élettartamának végét, azt le kell szerelni és környezetbarát módon kell ártalmatlanítani.

10.1. BIZTONSÁGI UTASÍTÁSOK A SZÉTSZERELÉSHEZ ÉS ÁRTALMATLANÍTÁSHOZ



FIGYELEM!

- **Sérülésveszély a szakszerűtlen szétszerelés esetén!**
- Az eltárolt maradvány energiák, éles alkatrészek, a készülék hegyes részei és sarkai vagy a hegyes és éles szerszámok sérüléseket okozhatnak.
- A munka megkezdése előtt győződjön meg arról, hogy elegendő hely áll rendelkezésre.
- Óvatosan kezelje a nyitott, éles szélű alkatrészeket.
- Ügyeljen a rendre és a tisztaságra a munkahelyen!
- A szabadon heverő alkatrészek és a szétdobált szerszámok balesetveszélyesek.
- Az alkatrészeket szakszerűen szerelje le. Vegye figyelembe az alkatrészek részben nagy önsúlyát. Ha szükséges, használjon emelőberendezést.
- Rögzítse az alkatrészeket úgy, hogy azok ne zuhanjanak le, ill. ne boruljanak fel.
- Kétség esetén kérje a gyártó segítségét.

HU

10.2. SZÉTSZERELÉS

A SZÉTSZERELÉS ELŐTT

Zárja el a palacknyomás-szabályozót a kézikerek óramutató járásával ellentétes irányba történő elfordításával.

Tehermentesítse a palacknyomás-szabályozót, és győződjön meg róla, hogy nincs benne több termékgáz. Nyomásmentesítse a rendszert, és szükség esetén öblítse át inert gázzal.

Távolítsa el az üzemi és segédanyagokat, valamint a feldolgozásból származó maradék anyagokat, és ártalmatlanítsa azokat környezetbarát módon.

Ezután tisztítsa meg megfelelően a szerelvényeket és alkatrészeket, és szerelje szét azokat a vonatkozó helyi munkavédelmi és környezetvédelmi előírásoknak megfelelően.



FIGYELEM!

- **Ne nyissa ki a rendszert, ha még mérgező és/vagy maró gáz van benne!**

10.3. ÁRTALMATLANÍTÁS

Amennyiben nem kötöttek szerződést a visszavételről vagy ártalmatlanításról, a szétszerelt alkatrészeket adja le újrahasznosítás céljából:

A fémhulladékot adja le a gyűjtőhelyen.

A műanyag elemeket adja le újrahasznosítás céljából.

A többi alkatrészt az anyagok fajtája szerint szétválogatva ártalmatlanítsa.

A REACH-rendelet 33. cikkével összhangban a GCE, s.r.o., mint felelős gyártó vállalja, hogy tájékoztatja minden ügyfelét, ha az anyagok 0,1%-ot vagy annál többet tartalmaznak a listán szereplő, különösen nagy aggodalomra okot adó anyagokból (SVHC).

A korpuszokhoz és egyéb sárgaréz alkatrészekhez leggyakrabban használt sárgaréz ötvözetek 2-3% ólmot (Pb) tartalmaznak (EC-szám: 231-468-6, CAS-szám: 7439-92-1). Normál használat során nem kerül ólom a gázba vagy a környezetbe. A termék élettartamának végén a termék ártalmatlanításával egy jóváhagyott fém-újrahasznosító vállalkozást kell megbízni, hogy az anyag hatékony, a környezetre és az egészségre minimális hatást gyakoroló ártalmatlanítása biztosított legyen.

A mai napig nem áll rendelkezésünkre olyan információ, amely arra utalna, hogy a GCE termékek 0,1% feletti SVHC-koncentrációjú anyagokat tartalmaznának.



ÉRTESÍTÉS!

- ***Környezetkárosítás veszélye a helytelen ártalmatlanítás következtében!***
- A helytelen ártalmatlanítás veszélyes lehet a környezetre.
- Az elektromos hulladék, elektronikai alkatrészecskék, kenőanyagok és egyéb segédanyagok ártalmatlanításával jóváhagyott szakvállalkozást kell megbízni.
- Kétség esetén a helyi hatóságtól vagy a jóváhagyott szakvállalkozásnál tájékozódjon a környezetkímélő ártalmatlanításról.

HU

www.linde.com

Ezek a termékek a Linde megbízásából készültek.

CONTENIDO

- 1. INFORMACIÓN GENERAL 118**
 - 1.1. INFORMACIÓN ACERCA DE ESTE MANUAL118
 - 1.2. INFORMACIÓN SOBRE EL REGULADOR DE PRESIÓN DE LA BOMBONA118
 - 1.3. EXPLICACIÓN DE SÍMBOLOS119
 - 1.4. LIMITACIÓN DE RESPONSABILIDAD120
 - 1.5. PROTECCIÓN DE DERECHOS DE AUTOR120
 - 1.6. PIEZAS DE REPUESTO120
 - 1.7. DISPOSICIONES DE LA GARANTÍA.....121
 - 1.8. SERVICIO DE ATENCIÓN AL CLIENTE.....121
- 2. SEGURIDAD 121**
 - 2.1. USO DEBIDO121
 - 2.1.1. CAMBIOS ESTRUCTURALES EN EL REGULADOR DE PRESIÓN PARA BOMBONAS.....121
 - 2.2. PELIGROS BÁSICOS121
 - 2.3. RESPONSABILIDAD DEL OPERADOR.....123
 - 2.4. REQUISITOS DEL PERSONAL123
 - 2.4.1. CUALIFICACIONES.....123
 - 2.4.2. PERSONAS NO AUTORIZADAS124
 - 2.4.3. INSTRUCCIÓN.....124
 - 2.5. EQUIPO DE PROTECCIÓN INDIVIDUAL.....124
 - 2.6. COMPORTAMIENTO EN CASO DE INCENDIO Y ACCIDENTE.....125
 - 2.7. PROTECCIÓN DEL MEDIO AMBIENTE125
 - 2.8. RÓTULOS.....125
 - 2.8.1. SÍMBOLOS DE OBLIGACIÓN125
 - 2.8.2. SÍMBOLOS DE PROHIBICIÓN.....125
 - 2.8.3. SÍMBOLOS DE ADVERTENCIA125
- 3. DATOS TÉCNICOS 126**
 - 3.1. DIAGRAMA DE FLUJO – VERSIÓN DE UNA FASE.....126
 - 3.2. DIAGRAMA DE FLUJO – VERSIÓN DE DOS FASES.....128
 - 3.3. FICHA DE DIMENSIONES129
 - 3.4. DATOS GENERALES.....131
 - 3.5. VALORES DE CONEXIÓN.....131
 - 3.6. VALORES DE POTENCIA131
 - 3.7. CONDICIONES OPERATIVAS DEL ENTORNO131
- 4. ESTRUCTURA Y FUNCIONAMIENTO..... 132**
 - 4.1. VERSIÓN DE LATÓN CROMADO132
 - 4.2. DESCRIPCIÓN BREVE132
- 5. TRANSPORTE, EMBALAJE Y ALMACENAMIENTO 132**
 - 5.1. INDICACIONES DE SEGURIDAD PARA EL TRANSPORTE132
 - 5.2. INSPECCIÓN DE TRANSPORTE133
 - 5.3. EMBALAJE.....133
 - 5.4. ALMACENAMIENTO133
- 6. INSTALACIÓN Y PRIMERA PUESTA EN MARCHA..... 133**
 - 6.1. INDICACIONES DE SEGURIDAD PARA LA INSTALACIÓN Y PRIMERA PUESTA EN MARCHA.....133
 - 6.2. PREPARATIVOS133
 - 6.3. INSTALACIÓN134
 - 6.3.1. PREPARATIVO134
 - 6.3.2. CONECTAR LA BOMBONA DE GAS134
 - 6.4. REQUISITOS PARA LA PRIMERA PUESTA EN MARCHA135
 - 6.5. PRIMERA PUESTA EN MARCHA.....135
 - 6.5.1. LLENAR EL CONDUCTO DE GAS DE PROCESO CON GAS DEL PROCESO136
 - 6.5.2. CAMBIAR LA BOMBONA136
 - 6.5.3. PUESTA FUERA DE SERVICIO137
 - 6.6. EXÁMENES.....137
- 7. FUNCIONAMIENTO..... 137**

8. MANTENIMIENTO	137
8.1. INDICACIONES DE SEGURIDAD PARA EL MANTENIMIENTO	137
8.2. PLAN DE MANTENIMIENTO	137
8.3. TRABAJOS DE MANTENIMIENTO	138
8.3.1. LIMPIEZA	138
8.3.2. REQUISITO PARA EL MANTENIMIENTO	138
8.3.3. MANTENIMIENTO NECESARIO	138
8.4. MEDIDAS DESPUÉS DEL MANTENIMIENTO	139
9. AVERÍAS	139
9.1. INDICACIONES DE SEGURIDAD PARA SOLUCIONAR AVERÍAS	139
10. DEMONTAJE Y ELIMINACIÓN	142
10.1. INDICACIONES DE SEGURIDA PARA EL DESMONTAJE Y LA ELIMINACIÓN	142
10.2. DESMONTAJE	142
10.3. ELIMINACIÓN	142

ES

1. INFORMACIÓN GENERAL

1.1. INFORMACIÓN ACERCA DE ESTE MANUAL

Este manual sirve para los reguladores de presión para bombonas de uno y dos fases del tipo:

- C12hv
- C200hv

Los reguladores de presión para bombonas se han concebido para conectarse de forma directa a las bombonas de gas con objeto de reducir la presión en las mismas a un rango de presión de salida inferior. Las conexiones para bombonas tienen distintas roscas en función de la norma correspondiente (DIN 477, CGA, AFNOR, etc.) y el tipo de gas. Por favor, tenga en cuenta:

Este manual permite manipular el regulador de presión para bombonas de forma segura y eficiente.

Forma parte del aparato y debe estar siempre a mano cerca de este para que el personal pueda consultarlo. El personal debe leer atentamente y entender el manual antes de comenzar los trabajos. El requisito básico para trabajar de forma segura es respetar todas las indicaciones de seguridad e instrucciones de manipulación del manual. Además, serán de aplicación las disposiciones de prevención de accidentes locales y las disposiciones de seguridad generales para el ámbito de aplicación del aparato. Las ilustraciones en el manual sirven para facilitar la comprensión y pueden variar del modelo real.

1.2. INFORMACIÓN SOBRE EL REGULADOR DE PRESIÓN DE LA BOMBONA

Los reguladores de presión para bombonas de este tipo únicamente pueden utilizarse con el gas establecido como gas estándar. La presión de entrada máxima para el C12hv es de máx. 12 bar y de máx. 200 bar para el C200hv.

Línea de producto	(Pureza 6.0 Latón cromado)	(Pureza 6.0 Acero inoxidable)
Con asiento FKM de la válvula de descarga	<ul style="list-style-type: none"> • Gases compatibles (y sus mezclas): <ul style="list-style-type: none"> • Alta pureza • Inertes • Inflamables • Comburentes • O₂ • Gases NO compatibles (y sus mezclas): <ul style="list-style-type: none"> • Corrosivos • Venenosos • CO₂, N₂O 	<ul style="list-style-type: none"> • Gases compatibles (y sus mezclas): <ul style="list-style-type: none"> • Alta pureza • Inertes • Inflamables • Comburentes (hasta 200 bar) • Corrosivos (consultar en caso de duda) <ul style="list-style-type: none"> • Venenosos (consultar en caso de duda) <ul style="list-style-type: none"> • Compatible con O₂ hasta 200 bar • Gases NO compatibles (y sus mezclas): <ul style="list-style-type: none"> • O₂ por encima de 200 bar • CO₂, N₂O • NH₃, SO₂, H₂S

<p>Con asiento EPDM de la válvula de descarga</p>	<ul style="list-style-type: none"> • Gases compatibles (y sus mezclas): <ul style="list-style-type: none"> • Alta pureza • Inertes • Inflamables • Comburentes • CO₂, N₂O • Gases NO compatibles (y sus mezclas): <ul style="list-style-type: none"> • Corrosivos • Venenosos • O₂ <p>(proporción superior al 21 %)</p> <ul style="list-style-type: none"> • Hidrocarburos 	<ul style="list-style-type: none"> • Gases compatibles (y sus mezclas): <ul style="list-style-type: none"> • Alta pureza • Inertes • Inflamables • Comburentes • Corrosivos (consultar en caso de duda) <ul style="list-style-type: none"> • Venenosos (consultar en caso de duda) <ul style="list-style-type: none"> • CO₂, N₂O • NH₃, SO₂, H₂S • Gases NO compatibles (y sus mezclas): <ul style="list-style-type: none"> • O₂ <p>(proporción superior al 21 %)</p> <ul style="list-style-type: none"> • Hidrocarburos
--	--	--

Esta tabla no pretende ser completa. Si tiene preguntas o dudas, consulte al fabricante.




Hay reguladores de presión para bombonas de uno y dos fases con membrana metálica en el modelo con 6 puertos. Fabricado y autorizado según ISO7291, incluida la prueba de consumo total de oxígeno (véase Tabla, apartado 1.2). El regulador de presión para bombonas consta de un elemento principal de regulación de presión, un manómetro de entrada y salida, la conexión para la bombona y una válvula de descarga. Está equipado con distintas conexiones roscadas y varios componentes adicionales como, p. ej.,

- Válvula de cierre en la salida (A)
- Válvula reguladora en la salida (B)
- Válvula de purga con gas exterior en la entrada (TP).
- Válvula de purga con gas exterior en la entrada y válvula de cierre en la salida (TPA), solo en el modelo de acero inoxidable.
- Válvula de purga con gas exterior en la entrada y válvula reguladora en la salida (TPB), solo en el modelo de acero inoxidable.

Los modelos C200/1 TP, C200/1 TPA, C200/1 TPB, C200/2 TP, C200/2 TPA y C200/2 TPB permiten purgar el regulador de presión con gases externos. Son, por tanto, especialmente adecuadas para gases corrosivos y venenosos.

Los reguladores de presión para bombonas con opción de purga permiten secar el aparato y retirar el aire atmosférico húmedo que pueda haber penetrado en el regulador de presión antes de ponerlo en marcha o al cambiar la bombona y purgar el aparato de gases venenosos, corrosivos o inflamables antes de ponerlos fuera de servicio.

1.3. EXPLICACIÓN DE SÍMBOLOS

<p>INDICACIONES SEGURIDAD</p>	<p>Las indicaciones de seguridad en este manual aparecen identificadas con símbolos. Van presentadas por términos indicativos que expresan el alcance del peligro.</p>
	<p>PELIGRO!</p> <p>Esta combinación de símbolo y término indica una situación inminente peligrosa que puede causar la muerte o lesiones de gravedad si no se evita.</p>
	<p>ADVERTENCIA!</p> <p>Esta combinación de símbolo y término indica una situación posiblemente peligrosa que puede causar la muerte o lesiones de gravedad si no se evita.</p>
	<p>CUIDADO!</p> <p>Esta combinación de símbolo y término indica una situación posiblemente peligrosa que puede causar lesiones de gravedad leve o moderada si no se evita.</p>

ES



AVISO!

Esta combinación de símbolo y término indica una situación posiblemente peligrosa que puede causar daños materiales o al medio ambiente si no se evita.



CONSEJOS Y RECOMENDACIONES

Este símbolo destaca consejos y recomendaciones útiles, así como información para garantizar un funcionamiento eficiente y sin averías.

INDICACIONES ESPECIALES

Para llamar la atención sobre peligros especiales se utilizan los siguientes símbolos.



PELIGRO!

Esta combinación de símbolo y término indica una situación inminente peligrosa debida a la corriente eléctrica. No respetar una indicación así señalizada implica lesiones de gravedad o mortales.

ES

1.4. LIMITACIÓN DE RESPONSABILIDAD

Todos los datos e indicaciones de este manual se han elaborado en observancia de las normas y disposiciones aplicables, la última tecnología y los conocimientos y la experiencia adquiridos a lo largo de los años. El fabricante no asumirá ninguna responsabilidad por daños en los casos siguientes:

- Inobservancia de este manual
- Uso distinto al determinado como uso previsto
- Uso de personal no cualificado
- Cambios técnicos y constructivos por cuenta propia
- Uso de piezas de repuesto no autorizadas
- Operación del aparato bajo presión con dispositivos de seguridad defectuosos o mal instalados, o dispositivos de protección y seguridad en mal estado de funcionamiento
- Supervisión insuficiente de las piezas del equipo, conexiones roscadas y juntas expuesta a desgaste
- Reparaciones llevadas a cabo de forma indebida
- Superar o no alcanzar el rango de temperatura indicado en la ficha de datos durante el funcionamiento o el almacenamiento
- Catástrofes causadas por cuerpos extraños y fuerza mayor

El volumen de suministro real puede variar de las explicaciones e ilustraciones aquí recogidas en el caso de modelos especiales, opciones de pedido adicionales o con motivo de avances técnicos. Son de aplicación las obligaciones acordadas en el contrato de suministro, los términos y condiciones, así como las condiciones de suministro del fabricante y las normativas legales vigentes en el momento de celebración del contrato.

1.5. PROTECCIÓN DE DERECHOS DE AUTOR

El contenido de este manual está protegido por derechos de autor. Su uso está permitido en el marco del uso del aparato. Queda prohibido cualquier otro uso sin el consentimiento escrito del fabricante.

1.6. PIEZAS DE REPUESTO



ADVERTENCIA!

- Riesgo de lesiones por el uso de piezas de repuesto inadecuadas.
- Usar piezas de repuesto inadecuadas o incorrectas puede resultar en peligros para el personal, así como daños, mal funcionamiento o fallos totales.
- Utilice solo piezas de repuesto originales del fabricante o autorizadas por este.
- Consulte al fabricante en caso de dudas.



PÉRDIDA DE GARANTÍA!

- La garantía del fabricante quedará anulada en caso de usar piezas de repuesto no autorizadas.

1.7. DISPOSICIONES DE LA GARANTÍA

En principio, son de aplicación nuestras «Condiciones generales de compraventa y suministro». Estas estarán a disposición del cliente a más tardar tras la firma del contrato.

1.8. SERVICIO DE ATENCIÓN AL CLIENTE

Estamos siempre interesados en informaciones y experiencias resultantes del uso y que pueden ser de gran valor para mejorar nuestros productos.

2. SEGURIDAD

Este apartado ofrece un resumen de todos los aspectos de seguridad importantes para proteger las personas y garantizar un funcionamiento seguro y sin averías. Encontrará más indicaciones de seguridad relativas a cada una de las tareas en los apartados sobre cada una de las etapas.

2.1. USO DEBIDO

El regulador de presión para bombonas de tipo C12hv y C200hv solo se deben utilizar con los gases y presiones indicados en observancia de las temperaturas indicadas. El caudal nominal es de 20 m³/h (aire comprimido), de acuerdo con ISO 2503. Forma parte del uso previsto respetar todos los datos e indicaciones de este manual, los trabajos de inspección de mantenimiento, así como la placa de características y las hojas de datos. Cualquier uso que vaya más allá del uso previsto se considerará un uso incorrecto.



ADVERTENCIA!

- **¡Peligro en caso de mal uso!**
- Usar de forma incorrecta los reguladores de presión para bombonas puede dar lugar a situaciones peligrosas.
- No utilice nunca el regulador de presión para bombonas para regular el caudal o como válvula de cierre.
- No use nunca el regulador de presión para bombonas con líquidos.

2.1.1. CAMBIOS ESTRUCTURALES EN EL REGULADOR DE PRESIÓN PARA BOMBONAS

No está permitido realizar cambios, agregar o modificar elementos en el regulador de presión para bombonas sin el permiso por escrito del fabricante..

Los reguladores de presión para bombonas en mal estado se deben sustituir de inmediato

Limpieza de los aparatos de gas y eliminación de residuos

Los reguladores de presión para bombonas utilizados pendientes de reparación se deben purgar con un gas inerte (nitrógeno).

Aparición de ruido

En algunos casos, la combinación de condiciones desfavorables como, por ejemplo, el caudal y el rango de presión, pero también el tipo de gas, puede dar lugar a la aparición de ruido. En esos casos, póngase en contacto con el fabricante.

2.2. PELIGROS BÁSICOS

En el siguiente apartado se nombran los peligros residuales que pueden darse a pesar de un uso adecuado. Con objeto de reducir los riesgos de daños personales y materiales y evitar situaciones peligrosas, se deben respetar las indicaciones de seguridad aquí mencionadas y las que aparecen en los demás apartados de este manual.



PELIGRO!

- **Los gases pueden ser peligrosos para la vida**
- Los gases pueden desplazar el aire y, con ello, el oxígeno contenido en este. Esto puede dar ocasionar la muerte por asfixia. El oxígeno da lugar a una atmósfera muy oxidante. Los gases inflamables pueden formar una atmósfera explosiva.

POR TANTO:

- ¡Asegure una ventilación suficiente!
- La instalación debe correr por cuenta de una empresa certificada
- Respete las disposiciones ATEX



ATENCIÓN!

- **Peligros que pueden derivarse del entorno**

La condensación o heladas pueden ocasionar defectos en el aparato.

POR TANTO:

- ¡Respete los rangos de temperatura!
- Proteja el aparato contra la entrada de líquidos
- Proteja el aparato contra la entrada de polvo
- Monte un sistema de protección contra las inclemencias meteorológicas
- Instale de forma adecuada la conexión a tierra



ADVERTENCIA!

- **Riesgo de accidente causado por el uso de aceite y grasa**

No está permitido usar aceites y grasas en el sistema de regulación de presión. Estos son muy inflamables y reaccionan con virulencia con algunos gases comprimidos.

POR TANTO:

- ¡No utilice en ningún caso aceite ni grasa!

ES



ADVERTENCIA!

- **Riesgo de accidente causado por la energía acumulada en el sistema**

Una manipulación indebida puede generar movimientos incontrolados de las piezas bajo presión o componentes de estas, y causar lesiones graves o mortales. Una manipulación indebida puede causar la salida de gas de las piezas bajo presión o componentes de estas y causar lesiones graves o mortales.

ANTES DE COMENZAR CUALQUIER TRABAJO CON PIEZAS BAJO PRESIÓN:

- La instalación debe correr por cuenta de una empresa certificada
- Lleve gafas de protección
- Lleve protección auditiva
- Asegúrese de que el sistema no esté bajo presión
- Asegúrese de que no haya ninguna energía más almacenada en el sistema
- Asegúrese de que no pueda escapar ningún gas
- Asegúrese de que el personal formado sustituya sin demora las piezas defectuosas



ADVERTENCIA!

- **¡Peligro de accidente!**

Una instalación incorrecta puede dar lugar a lesiones graves o mortales.

POR TANTO:

- Asegure los aparatos frente a caídas durante la instalación
- No arroje los aparatos

Las piezas bajo presión se deben usar solo para el fin previsto.

Disponga el sistema en un estado seguro en caso de daño mecánico de las tuberías (cierre la zona afectada).

Las averías que puedan afectar a la seguridad se deben solucionar de inmediato por personal cualificado o el fabricante.

En particular, los gases suponen un riesgo de fallo en el regulador de presión. Una señal de ello es la ausencia de caudal de gas tras el regulador de presión o un incremento súbito de presión secundaria. En caso de fallo en el regulador de presión se debe poner el sistema fuera de servicio de inmediato. Informe de inmediato a la empresa de mantenimiento responsable. No cierre los conductos de descarga.

2.3. RESPONSABILIDAD DEL OPERADOR

OPERADOR

El operador es la persona que opera el aparato con fines comerciales o económicos, o cede a un tercero el uso y asume durante el funcionamiento la responsabilidad legal productiva para la protección del usuario, del personal o terceros.

OBLIGACIONES DEL OPERADOR

El aparato se utiliza en entornos comerciales. El operador del aparato está sujeto, por tanto, a las obligaciones legales sobre seguridad laboral.

Además de las indicaciones de seguridad de este manual se deben respetar las disposiciones de seguridad, prevención de accidentes y protección medioambiental del ámbito de uso del aparato.

ES DE APLICACIÓN, EN PARTICULAR, LO SIGUIENTE:

- El operador debe informarse acerca de las disposiciones de protección laboral aplicables y determinar por medio de una valoración de peligros los peligros adicionales que puedan derivarse de las condiciones laborales particulares del lugar de uso del aparato. Estos se deben implementar en forma de instrucciones operativas para el funcionamiento del aparato.
- Mientras se use el aparato, el operador debe comprobar si las instrucciones operativas que ha elaborado se corresponden con la versión actual de normas y, en caso necesario, adaptarlas.
- El operador debe regular y fijar las responsabilidades para la instalación, la operación, la solución de averías, el mantenimiento y la limpieza de forma clara.
- El operador debe garantizar que todas las personas que manipulen en aparato hayan leído y comprendido las instrucciones. Además, debe instruir al personal con regularidad e informarlo acerca de los peligros.
- El operador debe facilitar al personal el equipo de protección necesario e indicar de forma vinculante llevar dicho equipo.

Además, el operador es responsable de que se garantice en todo momento la plena fiabilidad técnica del sistema.

POR LO TANTO, SE APLICA LO SIGUIENTE:

- El operador debe garantizar el cumplimiento de los intervalos de mantenimiento especificados en este manual.
- El operador debe asegurarse de que todos los dispositivos de seguridad se comprueban regularmente para comprobar su fiabilidad funcional y su integridad.

2.4. REQUISITOS DEL PERSONAL

2.4.1. CUALIFICACIONES

Las distintas tareas descritas en este manual representan diversas exigencias en lo que a la cualificación del personal encargado con estas tareas se refiere.



¡ADVERTENCIA!

- **Peligro por cualificación insuficiente del personal**
- Las personas con una cualificación insuficiente no pueden estimar los riesgos relacionados con la manipulación del aparato y pueden exponerse a sí mismos y a terceros a lesiones graves o mortales.
- Por ese motivo, todos los trabajos deben ser realizados únicamente por personal cualificado
- No deje que las personas sin cualificación se acerquen a la zona de trabajo.

No importa para qué trabajo: solo están permitidas las personas de las que se prevé sean capaces de realizarlo de forma fiable. No están autorizadas las personas cuya capacidad de reacción esté afectada por, p. ej., drogas, alcohol o medicamentos.

En este manual se mencionan las cualificaciones siguientes de las personas para las distintas tareas:

INGENIERO DE TECNOLOGÍA DE TRATAMIENTO DE GAS

Cuenta con formación especializada, las habilidades, la experiencia y los conocimientos relativos a las normas y directrices para trabajar en sistemas de regulación de presión y detectar posibles riesgos. Los ingenieros de tecnología de tratamiento de gas están especialmente formados en el tipo de naves de producción en cuestión y los estándares y directivas concretos.

TÉCNICO

Cuenta con formación especializada, las habilidades y la experiencia relativas a las normas y directrices para trabajar en sistemas de regulación de presión y detectar posibles riesgos.

2.4.2. PERSONAS NO AUTORIZADAS



¡PELIGRO!

- **Peligro para la vida para personas no autorizadas por peligros en la zona de trabajo y de peligro**
- Las personas no autorizadas que no satisfagan los requisitos aquí descritos desconocen los peligros en la zona de trabajo. Esto implica para dichas personas un peligro de lesiones graves y muerte.
- Mantenga a las personas no autorizadas alejadas de la zona de trabajo y de peligro
- En caso de duda, hable con la persona e indíquela que abandone la zona de trabajo y de peligro
- Interrumpa los trabajos mientras haya personas no autorizadas en la zona de trabajo y de peligro

2.4.3. INSTRUCCIÓN

El operador debe capacitar al personal con regularidad. A fin de facilitar el seguimiento, se deben elaborar un protocolo de capacitación que deberá incluir, como mínimo:

- Fecha de la capacitación
- Nombre de las personas que asisten a la capacitación
- Contenido de la capacitación
- Nombre del encargado de la capacitación
- Firmas de las personas que asisten e imparten la capacitación

ES

2.5. EQUIPO DE PROTECCIÓN INDIVIDUAL

El equipo de protección individual sirve para proteger a las personas de riesgos para la seguridad y la salud durante el trabajo.

Durante los distintos trabajos en y junto al aparato, el personal deberá llevar el equipo de protección individual indicado en cada uno de los apartados de este manual.

EQUIPO DE RESPIRACIÓN AUTÓNOMO



Protege de gases, vapores, polvo y sustancias similares nocivas. Se deben usar equipos de protección como los respiradores con suministro de aire de presión positiva cuando no sea posible garantizar un nivel de oxígeno superior al 17 % en el aire ambiental o no se pueda descartar que el nivel de sustancias nocivas en el aire ambiental no supere el umbral permitido. Solo el personal especialmente instruido puede llevar equipos de respiración autónomos.

EQUIPO DE RESPIRACIÓN AUTÓNOMO



Protege de gases, vapores, polvo y sustancias similares nocivas. Se deben usar equipos de protección cuando no sea posible descartar que el nivel de sustancias nocivas en el aire ambiental no supere el umbral permitido. Los equipos de respiración no autónomos solo se pueden emplear cuando pueda garantizarse que el nivel de oxígeno en el aire es superior al 17 %.

GAFAS DE PROTECCIÓN



Protegen de piezas y gotas disparadas.

GUANTES RESISTENTES A SUSTANCIAS QUÍMICAS



Protege las manos de sustancias agresivas. Se debe prestar atención a la estanqueidad del guante. Elimine los guantes debidamente después de usarlos.

GUANTES PROTECTORES



Protección de las manos contra las influencias mecánicas y las superficies calientes y frías.



LLEVAR PROTECCIÓN AUDITIVA

Protege los oídos de ruidos altos y previene los traumas auditivos.

2.6. COMPORTAMIENTO EN CASO DE INCENDIO Y ACCIDENTE

MEDIDAS DE PREVENCIÓN

- ¡Esté siempre preparado para los incendios y accidentes!
- Mantenga los dispositivos de primeros auxilios (botiquines, mantas, etc.) y extintores en buen estado de funcionamiento y a mano.
- Familiarice al personal con los dispositivos de notificación de accidentes, primeros auxilios y rescate.
- Mantenga las vías de acceso para los vehículos de rescate libres.

MEDIDAS EN CASO DE INCENDIO Y ACCIDENTE

- Retire a las personas de la zona de peligro cuando no exista ningún riesgo para su propia salud.
- En caso necesario, ponga en marcha las medidas de primeros auxilios.
- Avise a los bomberos o al servicio de rescate.
- En caso de incendio: Si no supone ningún riesgo para su propia salud, utilice los extintores para apagar el incendio hasta que lleguen los bomberos.
- Informe a los responsables en el lugar de uso.
- Deje libres las vías de acceso para los vehículos de rescate.
- Atienda a los vehículos de rescate.

ES

2.7. PROTECCIÓN DEL MEDIO AMBIENTE



¡NOTA!

- **Peligro para el medio ambiente por una manipulación indebida de sustancias peligrosas**
- Una manipulación incorrecta de sustancias peligrosas para el medio ambiente, en particular, una eliminación indebida, puede implicar daños importantes para el medio ambiente.
- Respete en todo momento las indicaciones de manipulación y eliminación de sustancias peligrosas para el medio ambiente.
- Si, por accidente, llegan sustancias peligrosas de este tipo al entorno, adopte medidas adecuadas de inmediato. En caso de duda, informe a la autoridad municipal acerca de los daños y consulte qué medidas deben adoptarse.

2.8. RÓTULOS



¡ADVERTENCIA!

- **Peligro causado por rótulos ilegibles**
- Con el paso del tiempo, los adhesivos y los rótulos se pueden manchar o dejar de ser legibles, lo que impide reconocer los peligros y actuar de acuerdo con las indicaciones de uso, lo que supone un riesgo de lesiones.
- Mantenga todas las indicaciones de seguridad, advertencias y de uso siempre en buen estado.
- Sustituya sin demora los rótulos o adhesivos dañados.

2.8.1. SÍMBOLOS DE OBLIGACIÓN

- No hay símbolos

2.8.2. SÍMBOLOS DE PROHIBICIÓN

- No hay símbolos

2.8.3. SÍMBOLOS DE ADVERTENCIA



ADVERTENCIA POR BOMBONAS
DE GAS ADVERTENCIA POR
ATMÓSFERAS



EXPLOSIVAS

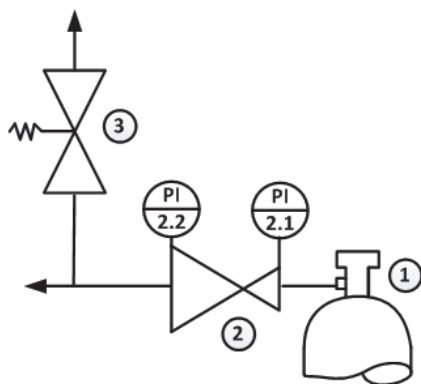


ADVERTENCIA POR
SUSTANCIAS PELIGROSAS O
CORROSIVAS

3. DATOS TÉCNICOS

3.1. DIAGRAMA DE FLUJO – VERSIÓN DE UNA FASE

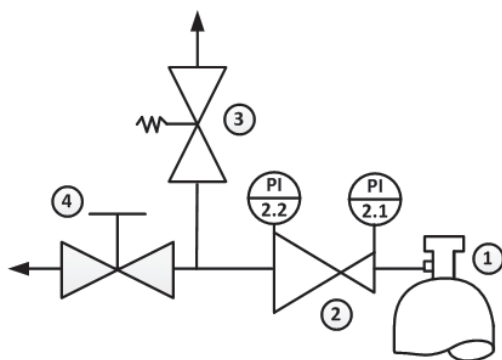
C12HV/1



- 1 – BOMBONA DE GAS
- 2 – REGULADOR DE PRESIÓN
- 3 – VÁLVULA DE ESCAPE

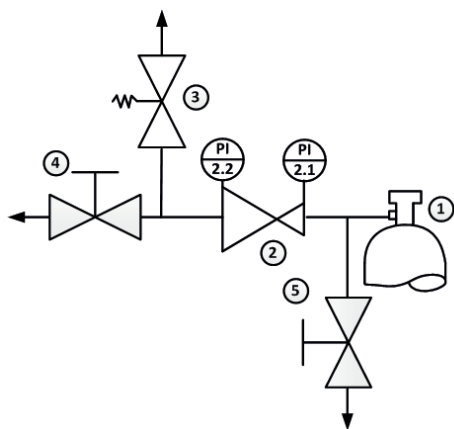
ES

C12HV/1 A



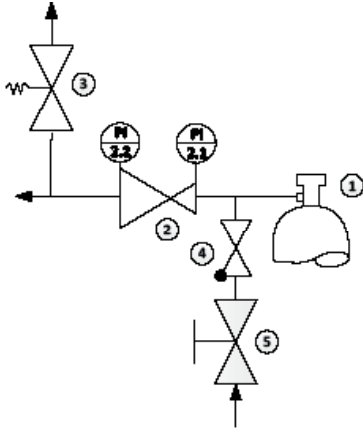
- 1 – BOMBONA DE GAS
- 2 – REGULADOR DE PRESIÓN
- 3 – VÁLVULA DE ESCAPE
- 4 – VÁLVULA DE CIERRE

C12HV/1 B



- 1 – BOMBONA DE GAS
- 2 – REGULADOR DE PRESIÓN
- 3 – VÁLVULA DE ESCAPE
- 4 – VÁLVULA REGULADORA
- 5 – VÁLVULA DE PURGA

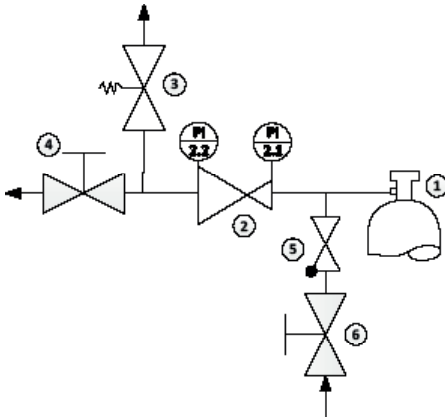
C12HV/1 TP



- 1 – BOMBONA DE GAS
- 2 – REGULADOR DE PRESIÓN
- 3 – VÁLVULA DE ESCAPE
- 4 – VÁLVULA DE ANTIRRETORNO
- 5 – VÁLVULA DE PURGA CON GAS EXTERIOR

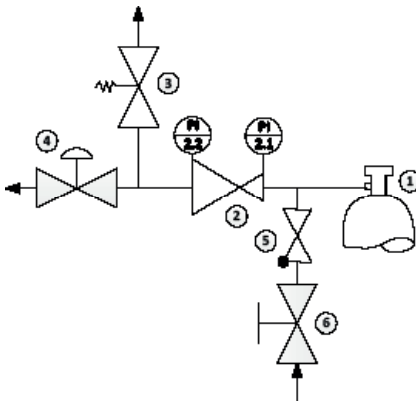
ES

C12HV/ TPA



- 1 – BOMBONA DE GAS
- 2 – REGULADOR DE PRESIÓN
- 3 – VÁLVULA DE ESCAPE
- 4 – VÁLVULA DE CIERRE
- 5 – VÁLVULA DE ANTIRRETORNO
- 6 – VÁLVULA DE PURGA CON GAS EXTERIOR

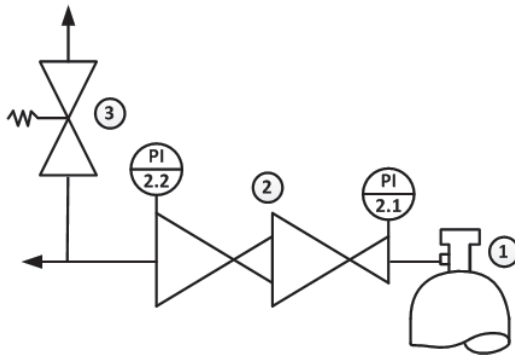
C12HV/ TPB



- 1 – BOMBONA DE GAS
- 2 – REGULADOR DE PRESIÓN
- 3 – VÁLVULA DE ESCAPE
- 4 – VÁLVULA REGULADORA
- 5 – VÁLVULA DE ANTIRRETORNO
- 6 – VÁLVULA DE PURGA CON GAS EXTERIOR

3.2. DIAGRAMA DE FLUJO – VERSIÓN DE DOS FASES

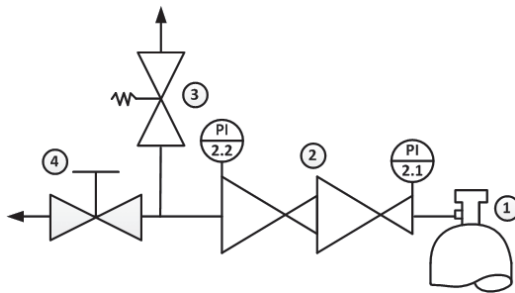
C200HV/2



- 1 – BOMBONA DE GAS
- 2 – REGULADOR DE PRESIÓN
- 3 – VÁLVULA DE ESCAPE

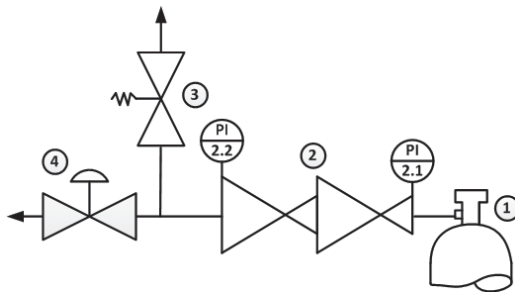
ES

C200HV/2 A



- 1 – BOMBONA DE GAS
- 2 – REGULADOR DE PRESIÓN
- 3 – VÁLVULA DE ESCAPE
- 4 – VÁLVULA DE CIERRE

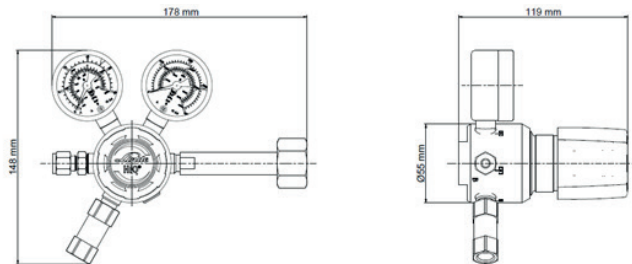
C200HV/2 B



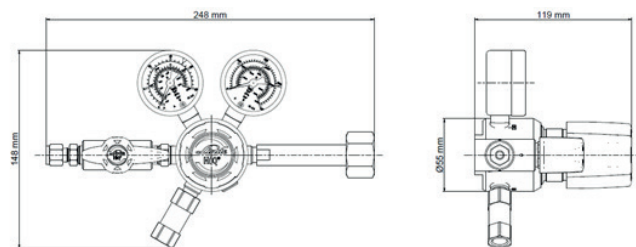
- 1 – BOMBONA DE GAS
- 2 – REGULADOR DE PRESIÓN
- 3 – VÁLVULA DE ESCAPE
- 4 – VÁLVULA REGULADORA

3.3. FICHA DE DIMENSIONES

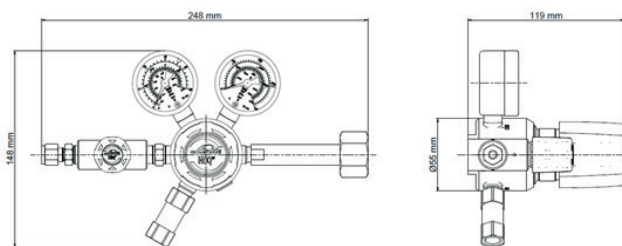
PARA UNA FASE



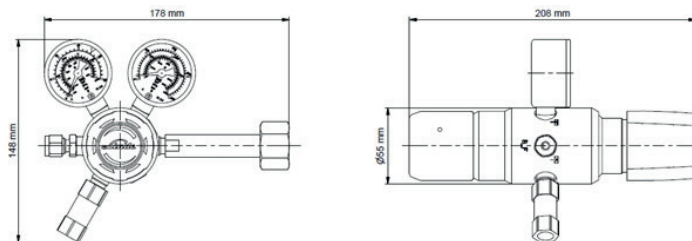
VERSIÓN A | UNA FASE



VERSIÓN B | UNA FASE

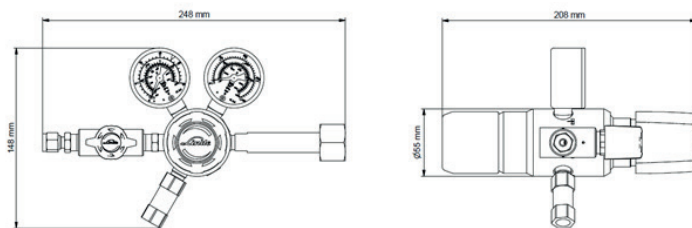


DOS FASES

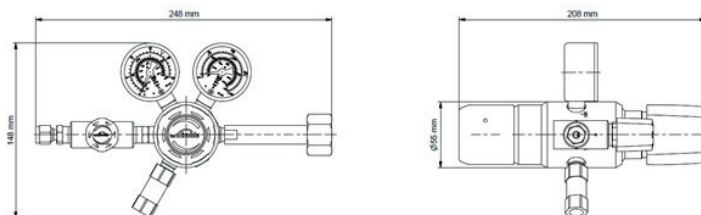


ES

VERSIÓN A | DOS FASES

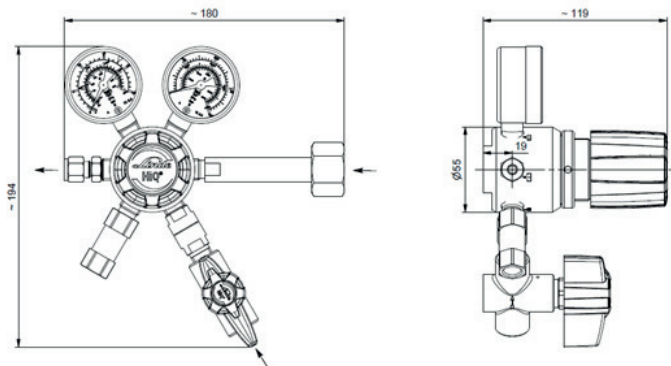


VERSIÓN B | DOS FASES

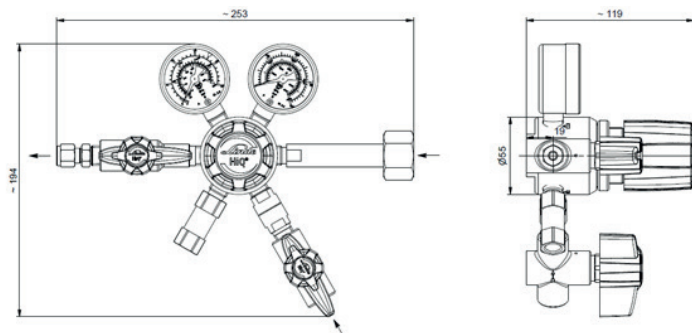


ES

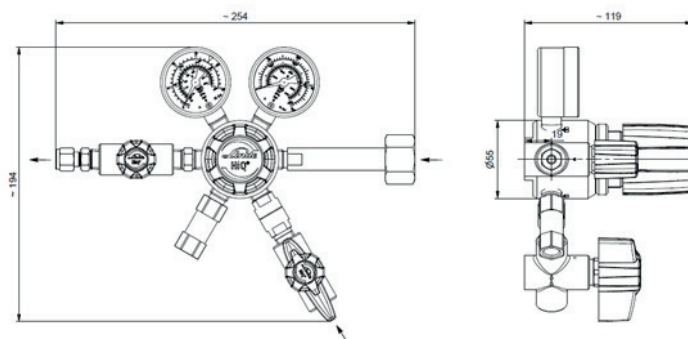
VERSIÓN TP | UNA FASE



VERSIÓN TPA | UNA FASE



VERSIÓN TPB | UNA FASE



3.4. DATOS GENERALES

Datos	Una fase Latón cromado	Dos fases Latón cromado	Una fase Acero inoxidable	Dos fases Acero inoxidable
Peso máx.[kg]	2,5	3,3	4,04	4,93
Longitud [mm]	223	223	263	263
Anchura [mm]	114	202	114	202
Altura [mm]	168	168	168	168

ES

3.5. VALORES DE CONEXIÓN

Datos	Valor	Unidad
Entrada	DIN477 AFNOR BS CGA Etc.	Conexiones para bombonas
Salida	1/8", 1/4", 3/8", 1/2" 3, 6, 8, 10, 12 4,8; 6,4; 8,0	Anillos opresores pulgadas Anillos opresores mm Conector de manguera mm (máx. 15 bar)
Válvula de escape	1/4"	Anillos opresores pulgadas

3.6. VALORES DE POTENCIA

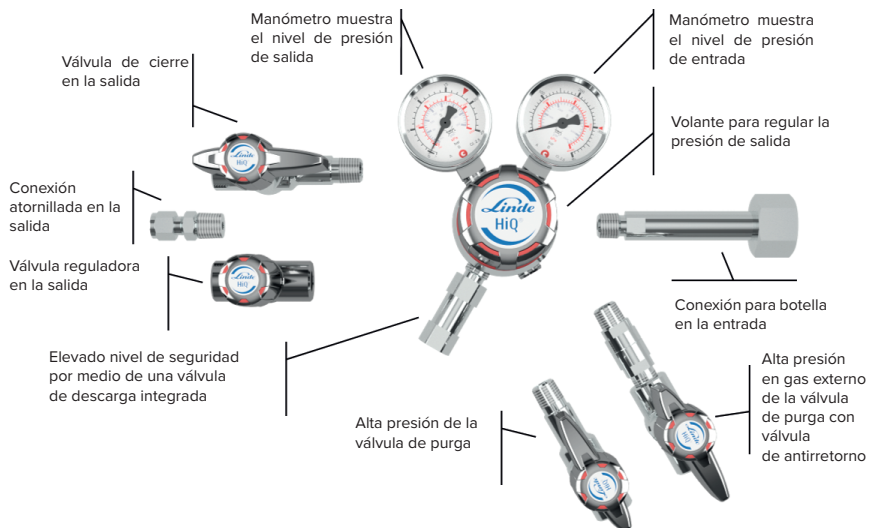
Datos	Valor	Unidad
Caudal nominal (ISO 2503)	20 (Aire comprimido)	m ³ /h
Presión de entrada (máx.)	C12hv - 12 bar C200hv - 200 bar	bar
Presión de salida (máx.)	200 (depende de la presión de entrada)	bar

3.7. CONDICIONES OPERATIVAS DEL ENTORNO

Datos	Valor	Unidad
Rango de temperatura	-20 till +60	°C
Humedad ambiental relativa (máx.)	98	%

4. ESTRUCTURA Y FUNCIONAMIENTO

4.1. VERSIÓN DE LATÓN CROMADO



ES

4.2. DESCRIPCIÓN BREVE

El regulador de presión para bombonas se opera de forma manual con el volante. La presión de entrada y salida se debe leer en el manómetro de entrada o salida pertinente. Son varios los componentes adicionales que también desempeñan una función en el manejo:

- Válvula de cierre en la salida para bloquear la presión de salida.
- Válvula reguladora en la salida para regular la presión de salida.
- Válvula de purga con gas exterior con válvula antirretorno para purgar el lado de alta presión de la entrada.

5. TRANSPORTE, EMBALAJE Y ALMACENAMIENTO



CONSEJOS Y RECOMENDACIONES

- La instalación y primera puesta en marcha debe ser realizada, en el mejor de los casos, por empleados del fabricante o personas autorizadas por este.
- No obstante, puede suceder que, durante la instalación y demás usos, los operarios o el personal de mantenimiento del operador se vean en situación de manipular los embalajes. En ese caso, se deben respetar en todo momento las indicaciones siguientes.

5.1. INDICACIONES DE SEGURIDAD PARA EL TRANSPORTE



¡NOTA!

- ***Daños materiales por un transporte indebido***
- Los embalajes pueden caerse o volcar con un transporte indebido. Esto puede ocasionar daños materiales por un importe considerable.
- Al descargar los embalajes durante la entrega, así como durante el transporte interno se debe proceder con cuidado y respetar los símbolos e indicaciones en el embalaje.
- Utilice solo los puntos de sujeción previstos para ello.
- Retire los embalajes solo antes de comenzar con el montaje.

5.2. INSPECCIÓN DE TRANSPORTE

Compruebe la integridad y la presencia de posibles daños de transporte cuando reciba la entrega. Proceda del modo siguiente si observa daños de transporte visibles:

- No acepte el suministro, o solo con reservas.
- Anote el alcance de los daños en los documentos de transporte o el albarán de la empresa de transporte.
- Inicie un procedimiento de reclamación.



CONSEJOS Y RECOMENDACIONES

- Reclame cualquier defecto en cuanto lo detecte. Las reclamaciones de indemnización por daños solo pueden hacerse valer dentro del plazo de garantía.

5.3. EMBALAJE

Cada uno de los paquetes está embalado de acuerdo con las condiciones de transporte previstas. Para el embalaje se han utilizado exclusivamente materiales respetuosos con el medio ambiente.

El embalaje tiene como fin proteger los componentes de daños de transporte, la corrosión y otros daños hasta el montaje. Por este motivo, retire los embalajes solo antes de comenzar con el montaje.



¡AVISO!

- **Peligro para el medio ambiente causado por una eliminación incorrecta**
- Los materiales de embalaje son materias primas muy valiosas y, en muchos casos, se pueden seguir utilizando o reciclarse. Una eliminación incorrecta de estos puede ocasionar peligros para el medio ambiente.
- Elimine los materiales de embalaje de forma respetuosa con el medio ambiente.
- Respete las disposiciones de eliminación locales en vigor. En caso necesario, encargue la eliminación a una empresa especializada.

ES

5.4. ALMACENAMIENTO

Almacene los paquetes en las condiciones siguientes:

- No los almacene al aire libre.
- Almacénelos en un lugar seco y sin polvo.
- No los exponga a medios agresivos.
- Protéjalos de la radiación solar.
- Evite sacudidas mecánicas.
- Temperatura de almacenamiento: de 15 a 35 °C.
- Humedad ambiental relativa: máx. 60 %.
- Si el almacenamiento se va a prolongar durante más de 3 meses, controle de forma regular el estado general de todas las piezas y del embalaje. En caso necesario, arregle o sustituya el embalaje.



CONSEJOS Y RECOMENDACIONES

- En determinadas circunstancias, en los paquetes hay notas relativas al almacenamiento que no están incluidas en este manual. Respételas también como proceda.

6. INSTALACIÓN Y PRIMERA PUESTA EN MARCHA

6.1. INDICACIONES DE SEGURIDAD PARA LA INSTALACIÓN Y PRIMERA PUESTA EN MARCHA

PERSONAL

La instalación y la primera puesta en marcha únicamente pueden ser llevados a cabo por personal cualificado.

6.2. PREPARATIVOS

DESEMBALAJE

- Los componentes se deben desembalar con cuidado.
- Elimine también los materiales de embalaje adicionales.
- Compruebe todos los componentes en busca de posibles daños de transporte.

DESCARGAR

- Descargar la presión del gas en posibles plantas ya instaladas, en caso necesario, purgar con gas inerte
- Separe la tubería de las posibles plantas ya instaladas con ayuda de herramientas especiales, evite la formación de virutas
- Compruebe que las piezas de conexión estén limpias y en perfecto estado.

6.3. INSTALACIÓN

Utilice únicamente reductores de presión con conexión de botella de acuerdo con los distintos gases y las directrices nacionales e internacionales (DIN477, CGA, AFNOR, etc.).



¡PELIGRO!

- Las roscas de la válvula de la bombona y la tuerca de unión deben estar en perfecto estado.



¡ADVERTENCIA!

- Utilice solo juntas nuevas. Las juntas no pueden estar deformadas ni presentar restos de suciedad o virutas de metal.
- No está permitido usar varias juntas en un punto de estanqueidad. Las juntas usadas deben retirarse.



¡ADVERTENCIA!

- No utilice prolongadores de llaves porque podría estropear la rosca y la junta.
- Esto puede dar lugar a fugas, escapes incontrolados de gas o un escape de todo el depósito de gas. Las juntas usadas deben retirarse.



¡ADVERTENCIA!

- Al conectar o cambiar las bombonas con gases venenosos o corrosivos se debe llevar el equipo de protección individual correspondiente (respirador, protección ocular y ropa protectora).
- Respete los valores MAK (véanse normas técnicas para sustancias peligrosas, TGRS 900), tenga a mano el filtro de respirador adecuado. Utilice solo reguladores de presión para bombonas con dispositivo de purgado.



¡CUIDADO!

- Antes de conectarlo, se debe comprobar con ayuda de la placa de características si el aparato es adecuado para el fin previsto.

6.3.1. PREPARATIVO

Solo se pueden utilizar reguladores de presión para bombonas con conexiones de bombonas de la norma correspondiente (DIN477, CGA, AFNOR, etc.) de acuerdo con el tipo de gas empleado.

6.3.2. CONECTAR LA BOMBONA DE GAS

Coloque la junta correspondiente para el tipo de conexión de bombona y de gas.

Apriete las tuercas de unión primero a mano en la conexión para la válvula de la bombona.

¡Preste atención, las roscas pueden girar hacia la izquierda o la derecha!

Coloque el regulador de presión, ¡no debe quedar inclinado!

Apriete las tuercas de unión con la llave adecuada. Atención, no utilice prolongadores de llaves porque podría estropear la rosca y la junta. Esto puede causar fugas y un escape incontrolado del depósito de gas (pérdida completa de gas).

En el caso de conexiones de bombona con conexión de mano, apretar la tuerca de unión con la mano.

Atención, no utilice prolongadores de llaves porque podría estropear la superficie de agarre.



Las líneas de conexión se montan por lo general con uniones roscadas con anillos opresores. En primer lugar se deben retirar las tapas de las conexiones. Para el montaje hay que insertar el tubo en la unión roscada con anillos opresores por completo. A continuación, enroscar a mano la tuerca de unión y apretar con una llave (primera instalación, 1/4 de giro para tubos de más de 1/8 pulgada y 3/4 de giro para tubos de 1/8 pulgadas o menos, reinstalación 1/4 de giro para todos los tamaños). El conducto de escape se cierra del mismo modo en la válvula de escape.

Por favor, tenga en cuenta las indicaciones del fabricante, así como la idoneidad de los materiales para determinados gases y rangos de presión.

El regulador de presión para bombonas está disponible con una presión máxima de salida de 15 bar con conector de manguera.

La forma cónica del conector facilita la inserción de la manguera.

Tipo TP, TPA, TPB, con válvula de purga con gas exterior

En los reguladores de presión para bombonas con válvula de purga con gas exterior (TP, TPA, TPB) es, además, necesaria una línea de conexión para el gas exterior, que debe conectarse como se describe arriba.

6.4. REQUISITOS PARA LA PRIMERA PUESTA EN MARCHA

- Deben estar presentes los protocolos de prueba de todos los sistemas de tuberías en lo que se refiere a la estanqueidad cuando se transporte también humedad y partículas.
- Las mangueras de gas de proceso, las mangueras de gas de ventilación y purga, las mangueras de la válvula de seguridad y de la válvula de retención, si las hay, deben estar conectadas
- En el conducto de gas del proceso solo hay gas estándar. (véase punto 1.2)
- La puesta en marcha solo puede ser realizada por personal especializado e instruido.
- Utilice únicamente herramientas que no produzcan chispas y téngalas preparadas antes de la instalación
- Se debe llevar ropa de protección adecuada según las disposiciones.
- Compruebe antes de la primera puesta en marcha con ayuda de la placa de características si el reductor de presión para bombonas es adecuado para el fin previsto (gas, presión, material, etc.)
- Si se usan gases corrosivos, venenosos y el reductor de presión para bombonas de acero inoxidable versión TP, TPA, TPB, EP, EPA o EPB, se debe purgar con gas inerte antes de la primera puesta en marcha (véase punto 6.5.2).

6.5. PRIMERA PUESTA EN MARCHA

- Se cumplen todos los requisitos según el punto 6.4
- El regulador de presión para bombonas está distendido (cerrado), esto es, el volante está sacado del todo (hacia la izquierda)
- Si se usan gases corrosivos, venenosos y la versión de acero inoxidable TP, TPA, TPB del regulador de presión para bombonas, se debe purgar con gas inerte antes de la primera puesta en marcha (véase punto 6.5.2).



¡ADVERTENCIA!

- Se debe prestar atención a que el regulador de presión para bombonas no se vea expuesto a presiones superiores a la presión de funcionamiento.

6.5.1. LLENAR EL CONDUCTO DE GAS DE PROCESO CON GAS DEL PROCESO

Gire poco a poco el volante del regulador de presión para bombonas en sentido de las agujas del reloj para ajustar la presión de salida. El regulador de presión para bombonas está ahora en funcionamiento. Se recomienda controlar varias veces al día el regulador de presión para bombonas y las presiones.

6.5.2. CAMBIAR LA BOMBONA

Si se usan gases corrosivos o venenosos y la versión de acero inoxidable TP, TPA, TPB del regulador de presión para bombonas, se debe purgar con gas inerte antes de cambiar la bombona (véase punto 6.5.2).



¡AVISO!

Utilice gas de purga inerte seco y limpio. Le recomendamos una pureza del gas que equivalga a la de la aplicación.



¡ADVERTENCIA!

- Al cambiar las bombonas con gases venenosos o corrosivos se debe llevar el equipo de protección individual correspondiente (respirador, protección ocular y ropa protectora).
- Respete los valores MAK (véanse normas técnicas para sustancias peligrosas, TGRS 900), tenga a mano el filtro de respirador adecuado.

ES



¡PELIGRO!

- Si se han extraído gases venenosos o corrosivos de la bombona a presión, antes de cambiar la bombona vacía se debe purgar con gas inerte el aparato presurizado (purga con gas exterior). De este modo se eliminan los restos de gas en el sistema.

PREPARATIVO

1. Apriete la válvula de la bombona de gas
2. Vacíe por completo el regulador de presión, la manecilla de los manómetros de entrada y salida deben marcar «0»
3. Gire el volante del regulador de presión en sentido contrario a las agujas del reloj hasta el tope; el regulador de presión estará cerrado
4. Cerrar la válvula de cierre de salida o reguladora, si las hubiera
5. Con las versiones P, TP, TPA, TPB es necesario realizar primero una purga o descarga

PROCEDIMIENTO DE PURGA

Procedimiento de purga con reguladores de presión para bombonas con válvula de purga con gas exterior en el lado de alta presión (TP, TPA, TPB)

A Comprobar si la entrada del gas de purga y la salida del gas de proceso están bien conectadas

B Cerrar todas las válvulas

C Girar el volante en sentido contrario a las agujas del reloj para cerrar el regulador de presión

D Abrir la válvula de purga con gas exterior

E Cerrar la válvula de purga con gas exterior

F Abrir brevemente el regulador de presión y la válvula de cierre de salida o reguladora de salida y dejar salir el gas de purga por la salida del regulador de presión para bombonas

G Cerrar el regulador de presión para bombonas y la válvula de cierre de salida o reguladora de salida.

Repetir los pasos D – G diez veces para lograr una purga absoluta.

6. Soltar la tuerca de unión en la bombona de gas con una llave. Si se trata de una conexión de bombona con cierre de mano, suelte la tuerca de unión a mano.
7. Conecte las bombonas nuevas del modo descrito arriba (punto 6.3.1).

6.5.3. PUESTA FUERA DE SERVICIO

Si se usan gases corrosivos o venenosos y la versión de acero inoxidable **TP, TPA, TPB** del regulador de presión para bombonas, se debe purgar con gas inerte antes de ponerlo fuera de servicio (véase punto 6.5.2).



¡CUIDADO!

- Tenga en cuenta, de forma general: Relajar el regulador de presión y los conductos dirigiendo el gas a través del consumidor, las agujas de los manómetros de presión principal y secundaria muestran «0».
- Purgar todos los componentes con gas inerte si se usan gases corrosivos o venenosos.
- Utilizar las medidas de protección individual correspondientes (respirador, protección ocular y ropa protectora).
- Respete los valores MAK (véanse normas técnicas para sustancias peligrosas, TGRS 900), tenga a mano el filtro de respirador adecuado.
 1. Apriete la válvula de la bombona de gas
 2. Vacíe por completo el regulador de presión, la manecilla de los manómetros de entrada y salida deben marcar «0»
 3. Gire el volante del regulador de presión en sentido contrario a las agujas del reloj hasta el tope; el regulador de presión estará cerrado
 4. Cerrar la válvula de cierre de salida o reguladora, si las hubiera
 5. Con las versiones **P, DP, TP, TPA, TPB, EP, EPA o EPB** es necesario realizar primero una purga o descarga (véase punto 6.5.2)
 - Girar el volante en sentido contrario a las agujas del reloj para cerrar el regulador de presión.
 - ¡Relaje la tubería!
 - El regulador de presión para bombonas está ahora fuera de servicio. Puede proceder ahora a realizar trabajos de reparación y mantenimiento.

6.6. EXÁMENES

- Compruebe el funcionamiento del regulador de presión después de la descompresión.
- Compruebe la estanqueidad de la válvula de escape.

7. FUNCIONAMIENTO

Según el capítulo 2.1, el funcionamiento del regulador de presión para bombonas está definido para gases estándar.



¡CUIDADO!

- Las válvulas manuales se deben abrir siempre poco a poco y con cuidado para evitar golpes de presión en el sistema y proteger otros componentes.

Para una breve interrupción de la extracción de gas, basta con cerrar la válvula de cierre o de control del regulador. Para interrupciones más largas, el regulador debe despresurizarse girando el volante en sentido contrario a las agujas del reloj. Por razones de seguridad, cierre la válvula del cilindro.

8. MANTENIMIENTO

8.1. INDICACIONES DE SEGURIDAD PARA EL MANTENIMIENTO



¡NOTA!

- Los trabajos de mantenimiento únicamente pueden ser llevados a cabo por personal cualificado, instruido y autorizado. (véase capítulo 2.4.)

8.2. PLAN DE MANTENIMIENTO

En los apartados siguientes se describen los trabajos de mantenimiento necesarios para que el aparato funcione de forma óptima y sin fallos. Si se detecta un mayor desgaste durante los controles regulares, se deben acortar los intervalos de mantenimiento con arreglo al nivel de desgaste real.



¡AVISO!

- Póngase en contacto con el servicio de atención al cliente si tiene cualquier duda relativa a los trabajos de mantenimiento.

Intervalo	Trabajo de mantenimiento	Personal
Semanal	Inspeccionar visualmente todos los componentes	Persona autorizada (TRBS 1203)
Anual	Comprobar el funcionamiento y la estanqueidad, comprobar todas las piezas relevantes para la seguridad	Persona autorizada (TRBS 1203)
Cada 10 años	Revisión general y sustitución de todas las piezas de desgaste	Persona autorizada (TRBS 1203)

ES

8.3. TRABAJOS DE MANTENIMIENTO

8.3.1. LIMPIEZA



¡NOTA!

- Los productos de limpieza deben ser compatibles con los materiales con los que vayan a entrar en contacto.

8.3.2. REQUISITO PARA EL MANTENIMIENTO

ANTES DE COMENZAR EL MANTENIMIENTO, SE DEBE COMPROBAR QUE

- El suministro de gas esté interrumpido y asegurado.
- La estación de relajación no tiene presión.
- El regulador de presión está relajado.
- La válvula está cerrada.
- No hay ningún gas de proceso en el sistema.
- Se ha purgado el sistema con gas inerte.

8.3.3. MANTENIMIENTO NECESARIO

- Comprobar la precisión de los valores mostrados por los indicadores de presión.
- Estación de relajación, regulador de presión, válvulas e indicadores de presión: Comprobar el estado en lo que respecta al funcionamiento y a la identificación.
- Comprobar la identificación.
- Comprobar la presencia de corrosión.
- Comprobar el funcionamiento.
- Realizar una prueba de estanqueidad con la presión de funcionamiento durante 12 horas.
- Los componentes desgastados y defectuosos se deben sustituir de inmediato; para ello debe encargarse siempre a una empresa especializada autorizada.
- Las válvulas están diseñadas según ISO 10297. Esto incluye un test de tipo en el que se ha sometido a la válvula a un ensayo de vida útil de hasta 2000 ciclos. • Sustituya las piezas internas tras 2000 ciclos en contacto con los medios; para ello debe encargarse siempre a una empresa especializada autorizada.
- Si se detectan zonas no estancas o mucha corrosión en las estaciones de relajación/regulador de presión o la válvula, debe encargar a una empresa autorizada que las sustituya por completo entre la conexión que se pueda soltar más cercana posible.
- Después de sustituir componentes o módulos de tuberías, se debe volver a realizar y recoger en un protocolo un ensayo de presión.

8.4. MEDIDAS DESPUÉS DEL MANTENIMIENTO

TRAS COMPLETAR LOS TRABAJOS DE MANTENIMIENTO, Y ANTES DE VOLVER A PONERLOS EN MARCHA, SE DEBEN LLEVAR A CABO LOS PASOS SIGUIENTES EN LA ESTACIÓN DE RELAJACIÓN, EL REGULADOR DE PRESIÓN O LA VÁLVULA:

1. Asegúrese de que todas las herramientas, materiales y demás equipo empleados se han retirado de la zona de trabajo.
2. Limpie la zona de trabajo y retire cualquier sustancia como, p. ej., líquidos, materiales de procesamiento o similares.
3. Asegúrese de que todos los dispositivos de seguridad del sistema funcionan a la perfección.

9. AVERÍAS

En el capítulo siguiente se describen posibles causas de fallos y cómo solucionarlos. Si los fallos se repiten, se deberán acortar los intervalos de mantenimiento de acuerdo con la carga real. Póngase en contacto con el fabricante si aparece algún fallo que no pueda solucionarse con las indicaciones siguientes.

9.1. INDICACIONES DE SEGURIDAD PARA SOLUCIONAR AVERÍAS

En caso de avería, interrumpa el suministro de gas, relaje el regulador de presión y cierre las válvulas. No realice en ningún caso labores de mantenimiento con los componentes bajo presión.

ES

COMPORTAMIENTO EN CASO DE AVERÍAS:

1. Interrumpa y asegure el suministro de gas.
2. Relaje el regulador de presión, cierre las válvulas.
3. Solo personal cualificado puede solucionar las averías.
4. Restablezca el estado inicial del aparato.

Descripción	Causa	Solución	Válvulas	Regulador de presión para bombonas	Regulador de presión para conductos	Estaciones de relajación
Sin caudal (El manómetro de entrada muestra presión, el de salida, no)	Regulador de presión cerrado	Abrir el regulador de presión despacio Cerrar válvula de purga		<input checked="" type="checkbox"/>	<input checked="" type="checkbox"/>	<input checked="" type="checkbox"/>
Sin caudal (ambos manómetros indican cero)	Válvula de la bomba cerrada Válvula del gas de uso cerrada Regulador de presión cerrado Espiral/ manguera no conectados	Puesta en marcha según el punto 6. Instalación y primera puesta en marcha		<input checked="" type="checkbox"/>	<input checked="" type="checkbox"/>	<input checked="" type="checkbox"/>
Sin caudal	Regulador de presión cerrado	Abrir el regulador de presión despacio	<input checked="" type="checkbox"/>			
Aumento de presión secundaria y válvula de escape abierta	Fuga en el asiento del regulador de presión	Reparación por parte del fabricante		<input checked="" type="checkbox"/>	<input checked="" type="checkbox"/>	<input checked="" type="checkbox"/>

Descripción	Causa	Solución	Válvulas	Regulador de presión para bombonas	Regulador de presión para conductos	Estaciones de relajación
Ligero aumento de presión secundaria y válvula de escape no se abre	Caída de presión de entrada	Ninguna avería, estado de funcionamiento normal		<input checked="" type="checkbox"/>	<input checked="" type="checkbox"/>	<input checked="" type="checkbox"/>
Ligero aumento de presión secundaria	Diferencia entre la presión de flujo (con caudal) y presión dinámica (sin caudal)	Ninguna avería, estado de funcionamiento normal		<input checked="" type="checkbox"/>	<input checked="" type="checkbox"/>	<input checked="" type="checkbox"/>
Ligera caída de presión secundaria	Diferencia entre la presión dinámica (sin caudal) y presión de flujo (con caudal)	Ninguna avería, estado de funcionamiento normal		<input checked="" type="checkbox"/>	<input checked="" type="checkbox"/>	<input checked="" type="checkbox"/>
Fuerte caída de presión secundaria	La presión de caudal necesaria para el regulador de presión es demasiado grande	Escoger un regulador de presión nuevo adecuado para la presión y el caudal requeridos		<input checked="" type="checkbox"/>	<input checked="" type="checkbox"/>	<input checked="" type="checkbox"/>
Fuerte caída de presión secundaria	Conducto de gas de proceso no estanco	Comprobar el conducto de gas de proceso		<input checked="" type="checkbox"/>	<input checked="" type="checkbox"/>	<input checked="" type="checkbox"/>
Presión de salida demasiado alta	Regulador mal ajustado	Ajustar el regulador de presión, volver a ajustar, mantenimiento		<input checked="" type="checkbox"/>	<input checked="" type="checkbox"/>	<input checked="" type="checkbox"/>

Descripción	Causa	Solución	Válvulas	Regulador de presión para bombonas	Regulador de presión para conductos	Estaciones de relajación
Presión secundaria aumenta de inmediato hasta el tope o aumenta poco a poco por encima del valor ajustado y la válvula de escape se acciona	Suciedad o daños en el asiento del «incrementador»	Reparación por parte del fabricante		<input checked="" type="checkbox"/>	<input checked="" type="checkbox"/>	<input checked="" type="checkbox"/>
Ruidos durante el funcionamiento	La presión de caudal necesaria para el regulador de presión es demasiado grande	Escoger un regulador de presión nuevo adecuado para la presión y el caudal requeridos		<input checked="" type="checkbox"/>	<input checked="" type="checkbox"/>	<input checked="" type="checkbox"/>
Sin cambios en el control de la válvula a pesar de girar el volante	Volante defectuoso por un par de giro demasiado alto, husillo defectuoso, rosca defectuosa	Reparación por parte del fabricante	<input checked="" type="checkbox"/>	<input checked="" type="checkbox"/>	<input checked="" type="checkbox"/>	<input checked="" type="checkbox"/>
Humedad en el regulador de presión (SIN condensación, lluvia ni nieve)	El regulador de presión sustrae energía del entorno por la relajación del gas	Ninguna avería Estado de funcionamiento normal		<input checked="" type="checkbox"/>	<input checked="" type="checkbox"/>	<input checked="" type="checkbox"/>
Formación de hielo en el regulador de presión (SIN condensación, lluvia ni nieve)	El regulador de presión sustrae energía del entorno por la relajación del gas, rendimiento limitado del depósito de gas a presión, p. ej., con N ₂ O, CO ₂	Ninguna avería Estado de funcionamiento normal ATENCIÓN: Prestar atención al funcionamiento del manómetro de contacto, incrementar el número de depósitos de gas a presión		<input checked="" type="checkbox"/>	<input checked="" type="checkbox"/>	<input checked="" type="checkbox"/>

ES

Esta tabla no pretende ser completa. Si tiene preguntas o dudas, consulte al fabricante.

10. DEMONTAJE Y ELIMINACIÓN

Una vez alcanzado el final de la vida útil del aparato, este debe desmontarse y entregarse para su eliminación respetuosa con el medio ambiente.

10.1. INDICACIONES DE SEGURIDA PARA EL DESMONTAJE Y LA ELIMINACIÓN



¡ADVERTENCIA!

- **Riesgo de lesiones por un desmontaje indebido.**
- La energía residual almacenada, los componentes afilados, puntas y esquinas en el aparato o las herramientas necesarias pueden causar lesiones.
- Asegure un espacio suficiente antes de comenzar a trabajar.
- Tenga cuidado con los componentes afilados o con bordes.
- ¡Mantenga el lugar de trabajo ordenado y limpio!
- Las piezas y las herramientas sueltas amontonadas o esparcidas son una fuente de accidentes.
- Desmunte los componentes de forma correcta. Tenga en cuenta que pueden ser muy pesados. En caso necesario, utilice herramientas de izado.
- Asegure los componentes para que no puedan caerse.
- Consulte al fabricante en caso de dudas.

ES

10.2. DESMONTAJE

ANTES DE COMENZAR EL DESMONTAJE

Relaje el regulador de presión para bombonas y asegúrese de que no quede gas del proceso en el interior. Relaje el sistema y, si es necesario, púrguelo con gas inerte.

Retire y elimine de forma respetuosa con el medio ambiente las herramientas, dispositivos auxiliares y materiales de procesamiento.

A continuación, limpie los módulos y los componentes de forma adecuada respetando las disposiciones de seguridad laboral y protección medioambiental locales.



¡ADVERTENCIA!

- **No abra el sistema cuando todavía haya gas venenoso o corrosivo en su interior.**

10.3. ELIMINACIÓN

Si no se ha celebrado ningún acuerdo de recogida o eliminación, recicle los componentes por separado:

Desguace los metales.

Entregue los plásticos para su reciclado.

Elimine el resto de componentes clasificados por materiales.

Según el artículo 33 de la normativa REACH, la sociedad GCE, s.r.o. como fabricante consciente de su responsabilidad, se compromete a informar a todos sus clientes cuando los materiales contengan 0,1% o más de las sustancias especialmente preocupantes (SVHC) recogidas en la lista.

La mayoría de aleaciones de latón empleadas para componentes y cuerpos de latón contienen un 2-3% de plomo (Pb), EG n.º 231-468-6, CAS n.º 7439-92-1. Este no se libera en el gas ni el medio ambiente con un uso normal. Al final de su vida útil, una empresa especializada en el reciclaje de metales autorizada debe eliminar los residuos con objeto de garantizar una eliminación efectiva del material con efectos mínimos para el medio ambiente y la salud.

Hasta la actualidad, no disponemos de informaciones relativas a la presencia de materiales con concentraciones de SVHC superiores al 0,1% en los productos de GCE.



¡AVISO!

- **Peligro para el medio ambiente causado por una eliminación incorrecta.**
- Una eliminación incorrecta puede ocasionar peligros para el medio ambiente.
- Deje que una empresa especializada y autorizada se encargue de la eliminación de la chatarra eléctrica, componentes electrónicos, lubricantes y demás sustancias.
- Si tiene dudas, consulte a la autoridad municipal o una empresa especializada para obtener información sobre cómo garantizar una eliminación respetuosa con el medio ambiente.

ES

www.linde.com

Estos artículos se han elaborado por encargo de Linde.

INDHOLD

1. GENERELT	146
1.1. INFORMATION VEDRØRENDE DENNE VEJLEDNING	146
1.2. INFORMATIONER VEDRØRENDE FLASKETRYKREGULATOREN	146
1.3. SYMBOLFORKLARING	147
1.4. ANSVARSBEGRÆNSNING	148
1.5. OPHAVSRETSBESKYTTELSE	148
1.6. RESERVEDELE	148
1.7. GARANTIBESTEMMELSER	148
1.8. KUNDESERVICE	149
2. SIKKERHED	149
2.1. PÅTÆNKT BRUG	149
2.1.1. KONSTRUKTIONSMÆSSIGE FORANDRINGER PÅ FLASKETRYKREGULATOREN	149
2.2. GENERELLE FARER	149
2.3. OPERATØRENS ANSVAR	150
2.4. KRAV TIL PERSONALET	151
2.4.1. KVALIFIKATIONER	151
2.4.2. ADVARSEL OM UBEFØJEDE!	151
2.4.3. UNDERVISNING	152
2.5. PERSONLIGT BESKYTTELSESDUSTYR	152
2.6. ADFÆRD VED ILDEBRAND OG ULYKKER	153
2.7. MILJØBESKYTTELSE	153
2.8. SKILTNING	153
2.8.1. PÅBUDSTEGN	153
2.8.2. FORBUDSTEGN	153
2.8.3. ADVARSELSTEGN	153
3. TEKNISKE DATA	154
3.1. FLYDESKEMA – ET-TRINVERSION	154
3.2. FLYDESKEMA – TO-TRINVERSION	156
3.3. DATABLAD	157
3.4. GENERELLE OPLYSNINGER	159
3.5. TILSLUTNINGSVÆRDIER	159
3.6. EFFEKTFAKTOR	159
3.7. DRIFTSBETINGELSER OMGIVELSER	159
4. KONSTRUKTION OG FUNKTION	160
4.1. MESSING-FORKROMET VERSION	160
4.2. KORT BESKRIVELSE	160
5. TRANSPORT, EMBALLERING OG OPBEVARING	160
5.1. SIKKERHEDSHENVISNINGER FOR TRANSPORTEN	160
5.2. TRANSPORT INSPEKTION	161
5.3. EMBALLAGE	161
5.4. OPBEVARING	161
6. INSTALLATION OG FØRSTE IBRUGTAGNING	161
6.1. SIKKERHEDSINSTRUKTIONER FOR INSTALLATIONEN OG DEN FØRSTE IBRUGTAGNING	161
6.2. FORBEREDELSE	161
6.3. INSTALLATION	162
6.3.1. FORBEREDELSE	162
6.3.2. TILSLUTNING AF GASFLASKEN	162
6.4. FORUDSÆTNINGER FOR DEN FØRSTE IBRUGTAGNING	163
6.5. FØRSTE IBRUGTAGNING	163
6.5.1. FYLDNING AF PROCESGASLEDNINGEN MED PROCESGAS	163
6.5.2. UDSKIFTNING AF FLASKER	164
6.5.3. AT TAGE APPARATET UD AF DRIFT	164
6.6. KONTROLLER	165
7. DRIFT	165

8. VEDLIGEHODELSE	165
8.1. SIKKERHEDSHENVISNINGER FOR VEDLIGEHODELSEN.....	165
8.2. VEDLIGEHODELSESPLAN	165
8.3. VEDLIGEHODELSESARBEJDE.....	166
8.3.1. RENSNING	166
8.3.2. FORUDSÆTNING FOR VEDLIGEHOOLD	166
8.3.3. NØDVENDIG VEDLIGEHODELSE	166
8.4. FORHOLDSREGLER EFTER GENNEMFØRT VEDLIGEHODELSE	166
9. FEJL 167	
9.1. SIKKERHEDSHENVISNINGER FOR RETTELSEN AF FEJL.....	167
10. AFMONTERING OG BORTSKAFFELSE.....	169
10.1. SIKKERHEDSHENVISNINGER FOR DEMONTERING OG BORTSKAFFELSE	169
10.2. AFMONTERING.....	169
10.3. BORTSKAFFELSE	170

DA

1. GENERELT

1.1. INFORMATION VEDRØRENDE DENNE VEJLEDNING

Denne vejledning gælder for et- og to-trins-flasketrykregulatorer af typen:

- C12hv
- C200hv

Flasketrykregulatorer er beregnet til den direkte tilslutning af gasflasker til mindskelse af flasketrykket til lave udgangstrykkområder. Flasketilslutningerne har alt efter de forskellige standarder

(DIN 477, CGA, AFNOR, etc.) forskellige gevind, der svarer til gassens art. Bemærk venligst.

Denne vejledning muliggør den sikre og effektive omgang med flasketrykregulatoren.

Denne vejledning er en del af apparatet og skal opbevares i apparatets umiddelbare nærhed, så den altid er tilgængelig for personalet. Før alle former for arbejde skal personalet have gennemlæst og forstået denne vejledning. Den grundlæggende forudsætning for sikkert arbejde er overholdelsen af alle oplyste sikkerheds- og håndteringsanvisninger i denne vejledning. Derudover gælder de lokale forskrifter til forebyggelse af ulykker og de generelle sikkerhedsbestemmelser for apparatets indsatsområde. Illustrationer i denne vejledning øger den generelle forståelse og kan afvige fra den faktiske udførelse.

DA

1.2. INFORMATIONER VEDRØRENDE FLASKETRYKREGULATOREN

Flasketrykregulatorer af denne type må kun bruges med de gassorter, der er defineret som standardgas. Det maksimale indgangstryk for C12hv er maks. 12 bar og for C200hv maks. 200 bar.

Produktlinje	(Renhed 6.0 Messingforkromet)	(Renhed 6.0 Rustfri stål)
Med FKM-pasning af overtryksventilen	<ul style="list-style-type: none"> • Anvendelige gasarter (inklusive deres blandinger): <ul style="list-style-type: none"> • High Purity • Inaktiv • Brandbar • Brandfremmende • O₂ • IKKE-anvendelige gasarter (inklusive deres blandinger): <ul style="list-style-type: none"> • Ætsende • Giftige • CO₂, N₂O 	<ul style="list-style-type: none"> • Anvendelige gasarter (inklusive deres blandinger): <ul style="list-style-type: none"> • High Purity • Inaktiv • Brandbar • Brandfremmende (op til 200 bar) <ul style="list-style-type: none"> • Ætsende (Indhent oplysninger ved uklarheder) • Giftig (Indhent oplysninger ved uklarheder) • O₂ op til 200 bar • IKKE-anvendelige gasarter (inklusive deres blandinger): <ul style="list-style-type: none"> • O₂ over 200 bar • CO₂, N₂O • NH₃, SO₂, H₂S

<p>Med EPDM-pasning af overtryksventilen</p>	<ul style="list-style-type: none"> • Anvendelige gasarter (inklusive deres blandinger): <ul style="list-style-type: none"> • High Purity • Inaktiv • Brandbar • Brandfremmende • CO₂, N₂O • IKKE-anvendelige gasarter (inklusive deres blandinger): <ul style="list-style-type: none"> • Ætsende • Giftig • O₂ (Andel større end 21%) • Kulbrinte 	<ul style="list-style-type: none"> • Anvendelige gasarter (inklusive deres blandinger): <ul style="list-style-type: none"> • High Purity • Inaktiv • Brandbar • Brandfremmende • Ætsende (Indhent oplysninger ved uklarheder) • Giftig (Indhent oplysninger ved uklarheder) • CO₂, N₂O • NH₃, SO₂, H₂S • IKKE-anvendelige gasarter (inklusive deres blandinger): <ul style="list-style-type: none"> • O₂ (Andel større end 21%) • Kulbrinte
---	---	---

Denne tabel hævder ikke at være fuldstændig. Ved spørgsmål og uklarheder kontakt producenten.

Der findes et- og to-trins-flasketrykregulatorer med metalmembran i 6-port-udgave. Fremstillet og tilladt ifølge ISO7291 inklusive iltforbrændingstest (se tabel afsnit 1.2). Flasketrykregulatoren består af trykregulatorens krop, indgangs- og udgangsmanometer, flasketilslutning samt en overtryksventil. Den er udstyret med diverse tilslutningsforskræninger og/eller med diverse ekstrakomponenter som f.eks.

- Stopventil ved udgangen (A)
 - Regulatorventil ved udgangen (B)
 - Fremmedgas-skylleventil ved indgangen (TP).
 - Fremmedgas-skylleventil ved indgangen og stopventil ved udgangen (TPA), kun i rustfri stål-udgave.
 - Fremmedgas-skylleventil ved indgangen og regulatorventil ved udgangen (TPB), kun i rustfri stål-udgave.
- Udgaverne **C200/1 TP**, **C200/1 TPA**, **C200/1 TPB**, **C200/2 TP**, **C200/2 TPA** og **C200/2 TPB** tillader skylning af trykregulatoren med ekstern gas. Dermed er de især velegnede til ætsende og giftige gasarter.

Flasketrykregulatorer med skyllemulighed muliggør tørringen af armaturet eller fjernelsen af fugtig atmosfærisk luft (som kan være trængt ind i trykregulatoren før ibrugtagningen eller ved flaskeskift) samt udskylningen af giftige, ætsende eller selvantændelige gasser fra armaturet før ibrugtagningen.

DA

1.3. SYMBOLFORKLARING

<p>SIKKERHEDSHENVISNINGER</p>	<p>Sikkerhedshenvisninger er i denne vejledning markeret med symboler. Sikkerhedshenvisningerne indledes med signalord, som giver udtryk for farens størrelse.</p>
	<p>FARE!</p> <p>Denne kombination af symbol og signalord peger på en umiddelbart farlig situation, som kan medføre død eller alvorlig personskade, hvis den ikke undgås.</p>
	<p>ADVARSEL!</p> <p>Denne kombination af symbol og signalord peger på en muligvis farlig situation, som kan medføre død eller alvorlig personskade, hvis den ikke undgås.</p>
	<p>FORSIGTIG!</p> <p>Denne kombination af symbol og signalord peger på en muligvis farlig situation, som kan medføre lille eller let personskade, hvis den ikke undgås.</p>
	<p>HENVISNING!</p> <p>Denne kombination af symbol og signalord peger på en muligvis farlig situation, som kan medføre skader på ting og miljøet, hvis den ikke undgås.</p>



TIPS OG ANBEFALINGER

Dette symbol fremhæver nyttige tips og anbefalinger samt informationer for en effektiv og problemfri drift.

SÆRLIGE HENVISNINGER

For at gøre opmærksom på særlige farer, bruges de følgende symboler i sikkerhedshenvisninger.



FARE!

Denne kombination af symboler og signalord peger på en umiddelbart farlig situation på grund af elektrisk strøm. Hvis en således markeret henvisning ikke overholdes, får det alvorlige eller dødelige personskader til følge.

1.4. ANSVARSBEGRÆNSNING

Alle oplysninger og henvisninger i denne vejledning er sammensat under hensyntagen til de gældende standarder og forskrifter, teknikkens stand samt vores årelange erkendelser og erfaringer.

I de følgende tilfælde overtager producenten intet ansvar for skader:

- Manglende overholdelse af denne vejledning
- Ved anvendelser, der afviger fra den påtænkte brug
- Brug af ikke-uddannede personale
- Egenmægtige ændringer af teknikken og konstruktionen
- Brug af ikke-tilladte reservedele
- Brug af apparatet, når det er under tryk, mens sikkerheds- og beskyttelsesindretningerne er defekte eller ikke er anbragt korrekt
- Utilstrækkelig overvågning af udstyrs-, forskrunings- og tætningsdele, som derfor slides
- Ikke-faglig korrekte reparationer
- Når temperaturen kommer over eller under det i databladet oplyste område under driften eller opbevaringen
- Katastrofer på grund af fremmedlegemers indvirkning og force majeure

Leveringens faktiske omfang kan afvige fra de her beskrevne forklaringer og illustrationer ved specialudgaver, brug af ekstra ordremuligheder eller på grund af nyeste tekniske ændringer. Gældende er de i leveringsaftalen aftalte pligter, de generelle forretningsbetingelser samt producentens leveringsbetingelser og de på aftaletidspunktet gældende juridiske regler.

1.5. OPHAVSRETSBESKYTTELSE

Ophavsretten af denne vejlednings indhold er beskyttet. Brugen af den er tilladt i forbindelse med apparatets anvendelse. En anvendelse, der går ud over den tilladte brug, er ikke tilladt uden producentens skriftlige tilladelse.

1.6. RESERVEDELE



ADVARSEL!

- Fare for personskade på grund af brug af ikke-originale reservedele!
- Brugen af ikke-originale eller defekte reservedele kan medføre farer for personalet samt forårsage tingskader, fejlfunktioner eller totalt svigt.
- Brug kun producentens originale reservedele eller af producenten godkendte reservedele.
- I tvivlstilfælde kontakt altid producenten.



BORTFALD AF GARANTIE!

- Ved brug af ikke-tilladte reservedele bortfalder producentens garanti.

1.7. GARANTIBESTEMMELSER

Principielt gælder vores "Generelle salgs- og leveringsbetingelser". Disse står senest til kundens rådighed siden kontraktens indgåelse.

1.8. KUNDESERVICE

Vi er altid interesserede i informationer og erfaringer, der opnås igennem brugen og kan være værdifulde for forbedringen af vores produkter.

2. SIKKERHED

Dette afsnit giver et overblik over alle vigtige sikkerhedsaspekter for beskyttelsen af personer samt for den sikre og problemfri drift. Andre opgaverelaterede sikkerhedshenvisninger findes i afsnittene vedrørende de enkelte livsfaser.

2.1. PÅTÆNKTE BRUG

Flasketrykregulatorerne af typen C12hv og C200hv må kun bruges til de oplyste gassorter og tryk ved overholdelse af de oplyste temperaturer. Den nominelle volumenstrøm er ifølge ISO 2503 20 m³/h (trykluft). En del af den påtænkte brug er også overholdelsen af alle oplysninger og henvisninger i denne vejledning, overholdelsen af inspektions- og vedligeholdelsesarbejdet, samt overholdelse af typeskiltet og databladene. Enhver brug, der går ud over den påtænkte brug og andre former for anvendelse, anses for at være misbrug.



ADVARSEL!

- **Fare ved misbrug!**
- Misbrug af flasketrykregulatorerne kan medføre farlige situationer.
- Brug aldrig flasketrykregulatorerne som element til regulering af gennemløbet eller som stopventil.
- Brug aldrig flasketrykregulatorerne til væsker.

2.1.1. KONSTRUKTIONSMÆSSIGE FORANDRINGER PÅ FLASKETRYKREGULATOREN

Uden skriftlig tilladelse fra producenten er der ikke tilladt at lave ændringer, til- eller ombygninger af flasketrykregulatoren.

Flasketrykregulatorer, der ikke er i perfekt tilstand, skal straks udskiftes

Rensning af gasapparater og bortskaffelse af rester

Brugte flasketrykregulatorer, der skal repareres, skylles først med en inaktiv gas (kvælstof).

Udvikling af lyde

I nogle tilfælde kan den ugunstige effekt af bestemte indflydelser såsom gennemløb og trykorråde, men også selve gasarterne medføre udvikling af lyde. I disse tilfælde bedes du kontakte producenten.

2.2. GENERELLE FARER

I det følgende afsnit nævnes de resterende risici, som også kan udgå fra apparatet ved den påtænkte anvendelse.

For at mindske risici for person- og tingskader samt farlige situationer, skal de her anførte sikkerhedshenvisninger og sikkerhedshenvisningerne i de andre afsnit af denne vejledning overholdes.



FARE!

- **Gas kan være livsfarlig!**
- Gas kan fortrænge luften og dermed ilten, som er indeholdt deri. Dette kan medføre død ved kvælning. Ilt danner en stærkt oxidativ atmosfære. Antændelige gasarter kan danne en eksplosiv atmosfære.

DERFOR:

- Sørg for tilstrækkelig ventilation!
- Installationer må kun udføres af et certificeret specialfirma!
- Overhold ATEX-direktiverne



OBS!

- **Farer, der kan opstå igennem omgivelserne!**
Kondens og/eller overrisning kan medføre skader på apparatet.

DA

DERFOR:

- Overhold temperaturområdet!
- Beskyt apparatet mod udefra kommende væsker!
- Beskyt apparatet mod udefra kommende støv!
- Monteres beskyttet mod vind og vejr!
- Den tilstedeværende jordforbindelse anbringes korrekt!



ADVARSEL!

- **Fare for ulykker ved brug af olie og fedt!**

Olie og fedt må principielt aldrig bruges i trykreguleringssystemer. Olie og fedt er let antændelige og reagerer kraftigt på bestemte komprimerede gassorter.

DERFOR:

- Brug under ingen omstændigheder olie og fedt!.



ADVARSEL!

- **Fare for ulykker pga. energi, der er lagret i systemet!**

Ved forkert håndtering kan trykbærende dele eller enkelte dele af disse komme i ukontrolleret bevægelse og forårsage alvorlige personskader eller endda døden. • Ved forkert håndtering kan gas træde ud af trykbærende dele og forårsage alvorlige personskader eller endda døden.

FØR START PÅ ALLE FORMER FOR ARBEJDE MED TRYKBÆRENDE DELE:

- Installationer må kun udføres af et certificeret specialfirma!
- Brug sikkerhedsbriller!
- Brug høreværn!
- Sørg for, at systemet er fri for tryk!
- Sørg for, at der ikke længere er energi i systemet!
- Sørg for, at der ikke uønsket kan træde gas ud!
- Sørg for, at defekte dele straks udskiftes af uddannet personale!

DA



ADVARSEL!

- **Fare for ulykker!**

En forkert installation kan medføre alvorlige eller endda dødelige personskader.

DERFOR:

- Sikring imod, at apparater falder ned under installation!
- Undlad at kaste apparater!

Trykbærende dele må kun bruges til de påtænkte anvendelser.

Ved mekaniske skader på rørledninger og armaturer skal systemet bringes i den sikre tilstand (luk ned for det berørte afsnit).

Fejl, der kan påvirke sikkerheden, rettes straks af kvalificerede medarbejdere, der er uddannet heri, eller af producenten.

Især ved gas er der fare for en defekt på ledningstrykregulatoren. Kendetegnende herfor er enten manglende gasgennemløb efter trykregulatoren eller en pludselig stigning af bagtrykket. Ved en defekt trykregulator skal systemet straks tages ud af drift. Det ansvarlige vedligeholdelsesfirma skal ubetinget informeres. Luk aldrig overtryksledninger.

2.3. OPERATØRENS ANSVAR

OPERATØR

Operatøren er den person, som selv driver enheden til erhvervmæssige eller økonomiske formål eller overlader den til tredje til udnyttelse/anvendelse og under driften bærer det juridiske produktansvar for beskyttelse af brugeren, personalet eller tredje.

OPERATØRENS PLIGTER

Apparatet bruges i det erhvervmæssige område. Apparatets operatør er omfattet af den juridiske pligt til arbejdssikkerhed.

Ud over sikkerhedshenvisningerne i denne vejledning skal de for apparatets indsatsområde gældende forskrifter for sikkerhed, ulykkesforebyggelse og miljøbeskyttelse overholdes.

DERVED GÆLDER ISÆR FØLGENDE:

- Operatøren skal holde sig opdateret om de gældende bestemmelser om arbejdssikkerhed og i en farevurdering derudover bedømme farer, der opstår på grund af de særlige arbejdsbetingelser på anvendelsesstedet for apparatet. Disse skal omsættes i form for vejledning for apparatets drift.
- Operatøren skal under apparatets hele indsats tid kontrollere, at de af ham oprettede brugsanvisninger lever op til regelsættens aktuelle stand og om nødvendigt tilpasse disse.
- Operatøren skal endtydigt regulere og fastlægge ansvaret for installation, betjening, fejlfinding, vedligehold og rengøring.
- Operatøren skal sørge for, at alle personer, som omgås apparatet, har læst og forstået denne vejledning. Derudover skal han med jævne mellemrum undervise personalet og informere det om farerne.
- Operatøren skal stille det nødvendige sikkerhedsudstyr til rådighed for personalet og forpligte det til at bære det nødvendige beskyttelsesudstyr.

Endvidere er operatøren ansvarlig for at sikre, at systemets fulde tekniske pålidelighed til enhver tid er garanteret.

GÆLDER DERFOR FØLGENDE:

- Operatøren skal sikre, at de vedligeholdelsesintervaller, der er angivet i denne manual, overholdes.
- Operatøren skal sikre, at alle sikkerhedsanordninger regelmæssigt kontrolleres for funktionssikkerhed og fuldstændighed.

2.4. KRAV TIL PERSONALET

2.4.1. KVALIFIKATIONER

De forskellige opgaver, der står beskrevet i denne vejledning, stiller forskellige krav til kvalifikationen af de personer, som får overdraget disse opgaver.

DA



ADVARSEL!

- **Fare ved utilstrækkeligt kvalificerede personer!**
- Utilstrækkeligt kvalificerede personer kan ikke vurdere risici ved omgangen med apparatet og bringer sig selv og andre i fare vor alvorlige eller dødelige personskader!
- Alle former for arbejde må alene udføres af dertil kvalificerede personer!
- Utilstrækkeligt kvalificerede personer skal holdes borte fra arbejdsområdet!

Alle former for arbejde må kun udføres af personer, om hvem det kan forventes, at de udfører arbejdet tilforladeligt. Personer, hvis reaktionsevne er påvirket, f.eks. pga. narko, alkohol eller medicin, er ikke tilladt.

I denne vejledning nævnes de i det følgende anførte kvalifikationer af personer til de forskellige opgaver.

GASTEKNIK-INGENIØR

Har faglig uddannelse, færdigheder, erfaring og viden med hensyn til relevante standarder og retningslinjer til at kunne udføre arbejde på trykregulerende systemer og erkende potentielle risici. Gasteknik-ingeniører er specielt uddannet med henblik på de respektive produktionssteder og deres specifikke standarder og retningslinjer.

TEKNIKER

Har faglig uddannelse, færdigheder og erfaring med hensyn til relevante standarder og retningslinjer til at kunne udføre arbejde på trykregulerende systemer og erkende potentielle risici.

2.4.2. ADVARSEL OM UBEFØJEDE!



ADVARSEL!

- **Livsfare for ubeføjede på grund af farer i fare- og arbejdsområdet!**
- Ubeføjede personer, der ikke opfylder de her beskrevne krav, kender ikke farerne i arbejdsområdet. Derfor er der for ubeføjede fare for alvorlige personskader og endda død.
- Ubeføjede personer holdes borte fra fare- og arbejdsområdet!
- I tvivlstilfælde henvender man sig til personerne og anviser dem til at forlade fare- og arbejdsområdet!
- Afbryd arbejdet, så længe der befinder sig ubeføjede personer i fare- og arbejdsområdet!

2.4.3. UNDERVISNING

Operatøren skal med jævne mellemrum undervise personalet. For en bedre opfølgning oprettes en undervisningsprotokol med følgende minimumsindhold:

- Undervisningsdato
- Undervisningsmodtagernes navne
- Undervisningens indhold
- Underviserens navn
- Undervisningsmodtagerens og underviserens underskrifter

2.5. PERSONLIGT BESKYTTELSESUDSTYR

Personligt beskyttelsesudstyr tjener til at beskytte personer mod forringelse af sikkerheden og helbredet på arbejdet.

Personalet skal under de forskellige former for arbejde på ug med apparatet bære personligt beskyttelsesudstyr, som der i de enkelte afsnit af denne vejledning gøres særskilt opmærksom på.

ÅNDEDRÆTSVÆRN, UAFHÆNGIG AF DEN OMGIVENDE LUFT



Beskyttelse mod skadelige gasarter, damp, støv og lignende stoffer. Åndedrætsværn, f.eks. med trykluft, skal bruges, når et iltindhold over 17 % i den omgivende luft ikke kan garanteres og/eller en overskridelse af de tilladte grænseværdier for skadelige stoffer i den omgivende luft ikke kan udelukkes. Åndedrætsværn, der er uafhængige af den omgivende luft, må kun bruges af specielt uddannet personale.

ÅNDEDRÆTSVÆRN, UAFHÆNGIG AF DEN OMGIVENDE LUFT



Beskyttelse mod skadelige gasarter, damp, støv og lignende stoffer. Åndedrætsværn, der er uafhængige af den omgivende luft, skal bruges, hvis en overskridelse af de tilladte grænseværdier for skadelige stoffer i den omgivende luft ikke kan udelukkes. Åndedrætsværn, der er uafhængige af den omgivende luft, må kun bruges ved et garanteret iltindhold over 17 % i indåndingsluften.

BESKYTTELSSEBRILLER



Beskyttelse mod flyvende dele og dråber.

HANDSKER, KEMISK RESISTENTE



Beskytter hænderne mod aggressive stoffer. Sørg for at handskerne er tætte. Efter brug bortskaffes handskerne fagligt korrekt.

BESKYTTELSSEHANDSKER



Beskyttelse af hænderne mod mekaniske påvirkninger og varme såvel som kolde overflader.

BRUG HØREVÆRN



Beskytter hørelsen mod for høje lyde og forebygger lydtraumer.

2.6. ADFÆRD VED ILDEBRAND OG ULYKKER

FOREBYGGENDE FORHOLDSREGLER

- Vær altid forberedt på ildebrand og ulykker!
- Udstyr til førstehjælp (forbindskasser, tæpper osv.) og brandslukning skal være velfungerende og opbevares let tilgængeligt.
- Gør personalet fortroligt med alarm-, førstehjælps- og redningsudstyr.
- Hold adgangsveje tilgængelige for redningskøretøjer.

FORHOLDSREGLER VED ILDEBRAND OG ULYKKER

- Hvis ikke der er fare for eget helbred, red personer ud af fareområdet.
- Om nødvendigt startes foranstaltninger til førstehjælp.
- Alarmer brandvæsen og/eller redningstjeneste.
- Ved ildebrand: Hvis ikke der er fare for eget helbred, bekæmp ilden med slukningsudstyr og fortsæt slukningsindsatsen, indtil brandvæsenet ankommer.
- Informer den ansvarlige på indsatsstedet.
- Frigør adgangsveje tilgængelige for redningskøretøjer.
- Vis vej for redningskøretøjer.

2.7. MILJØBESKYTTELSE



HENVISNING!

- **Fare for miljøet på grund af forkert håndtering af miljøfarlige stoffer!**
- Ved forkert omgang med miljøfarlige stoffer, især ved forkert bortskaffelse, kan der opstå betydelige skader på miljøet.
- Overhold de forneden nævnte henvisninger vedrørende omgangen med miljøfarlige stoffer og deres bortskaffelse!
- Hvis miljøfarlige stoffer ved en fejl udledes i miljøet, tages straks egnede forholdsregler. I tvivlstilfælde informer straks den ansvarlige kommunale myndighed og spørg, hvilke egnede forholdsregler der bør tages!

DA

2.8. SKILTNING



ADVARSEL!

- **Fare ved skiltning der ikke kan læses!**
- I tidens løb er det muligt, at etiketter og skilte bliver snavsede eller ukendelige på anden vis, således, at farer ikke erkendes og nødvendige betjeningshenvisninger ikke kan overholdes. Dette medfører farer for personskader.
- Alle sikkerheds-, advarsel- og betjeningshenvisninger skal altid holdes i let læselig tilstand.
- Skadede skilte eller etiketter skal straks udskiftes.

2.8.1. PÅBUDSTEGN

- Ingen tegn

2.8.2. FORBUDSTEGN

- Ingen tegn

2.8.3. ADVARSELSTEGN



ADVARSEL MOD GASFLASKER



ADVARSEL MOD EKSPLOSIV
ATMOSFÆRE

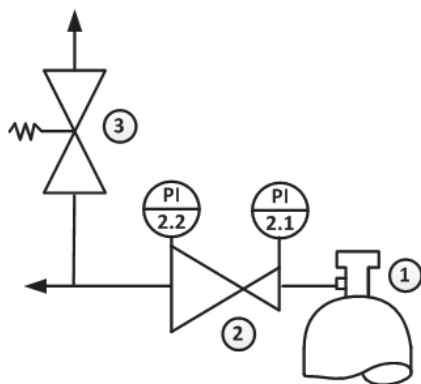


ADVARSEL MOD GIFTIG OG/
ELLER KORROSIVE STOFFER

3. TEKNISKE DATA

3.1. FLYDESKEMA – ET-TRINVERSION

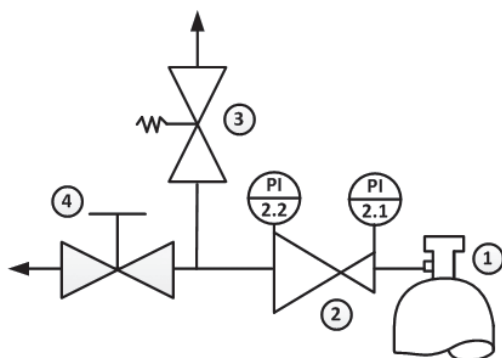
C12HV/1



- 1 – GASFLASKE
- 2 – TRYKREGULATOR
- 3 – OVERTRYKSVENTIL

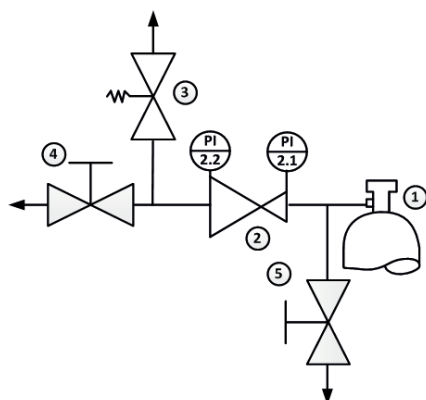
DA

C12HV/1 A



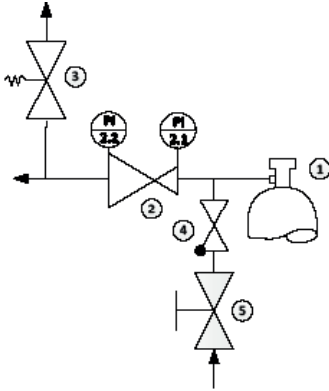
- 1 – GASFLASKE
- 2 – TRYKREGULATOR
- 3 – OVERTRYKSVENTIL
- 4 – STOPVENTIL

C12HV/1 B



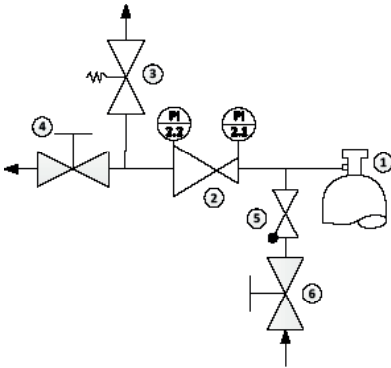
- 1 – GASFLASKE
- 2 – TRYKREGULATOR
- 3 – OVERTRYKSVENTIL
- 4 – REGULERINGSVENTIL
- 5 – SKYLLEVENTIL

C12HV/1 TP



- 1 – GASFLASKE
- 2 – TRYKREGULATOR
- 3 – OVERTRYKSVENTIL
- 4 – KONTRAVENTIL
- 5 – FREMMEDGAS-SKYLLEVENTIL

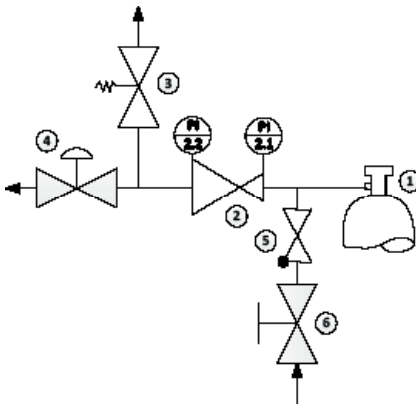
C12HV/ TPA



- 1 – GASFLASKE
- 2 – TRYKREGULATOR
- 3 – OVERTRYKSVENTIL
- 4 – STOPVENTIL
- 5 – KONTRAVENTIL
- 6 – FREMMEDGAS-SKYLLEVENTIL

DA

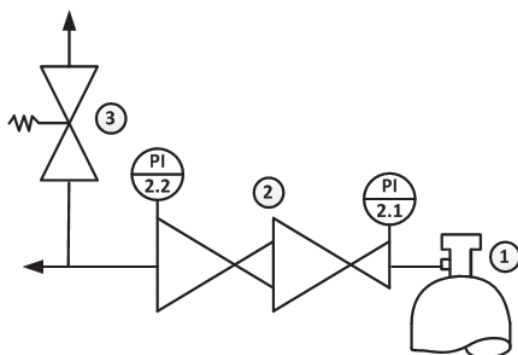
C12HV/ TPB



- 1 – GASFLASKE
- 2 – TRYKREGULATOR
- 3 – OVERTRYKSVENTIL
- 4 – REGULERINGSVENTIL
- 5 – KONTRAVENTIL
- 6 – FREMMEDGAS-SKYLLEVENTIL

3.2. FLYDESKEMA – TO-TRINSVERSION

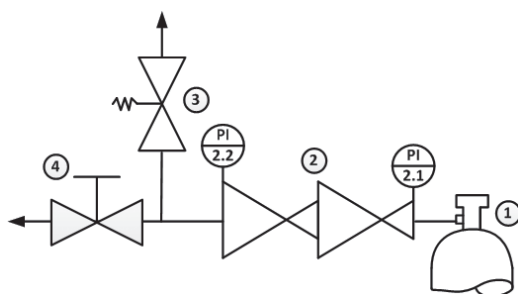
C200HV/2



- 1 – GASFLASKE
- 2 – TRYKREGULATOR
- 3 – OVERTRYKSVENTIL

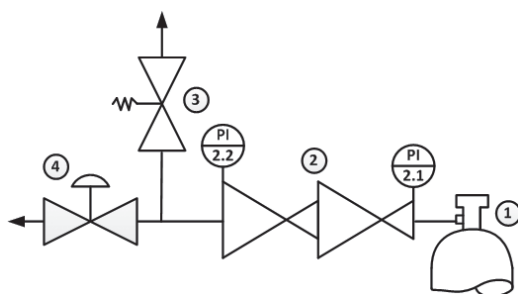
C200HV/2 A

DA



- 1 – GASFLASKE
- 2 – TRYKREGULATOR
- 3 – OVERTRYKSVENTIL
- 4 – STOPVENTIL

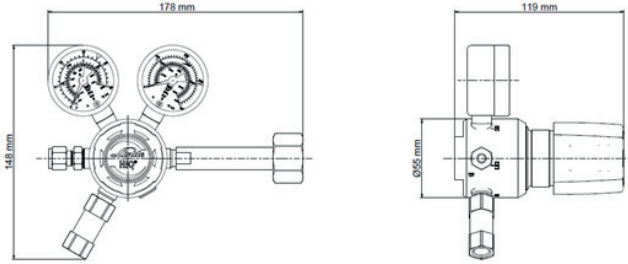
C200HV/2 B



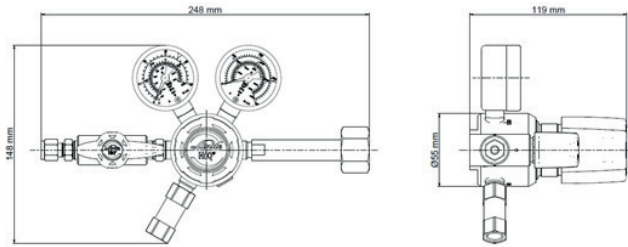
- 1 – GASFLASKE
- 2 – TRYKREGULATOR
- 3 – OVERTRYKSVENTIL
- 4 – REGULERINGSVENTIL

3.3. DATABLAD

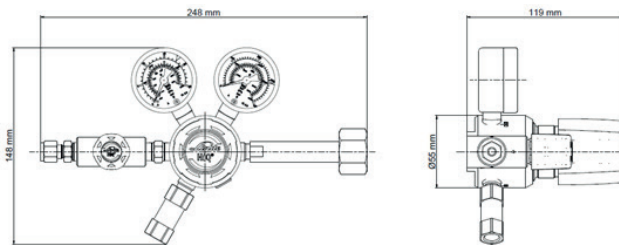
EN-TRINS



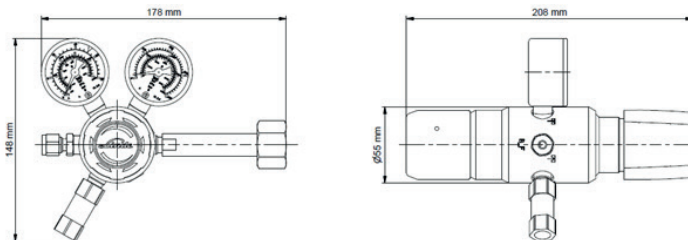
VERSION A | ET-TRINS



VERSION B | TO-TRINS

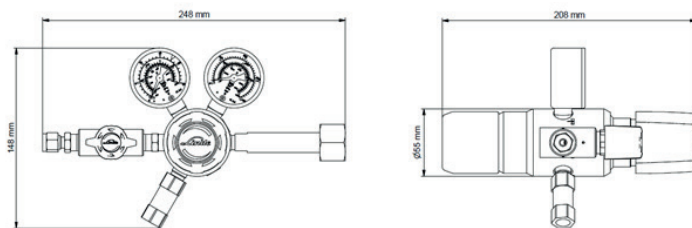


TO-TRINS

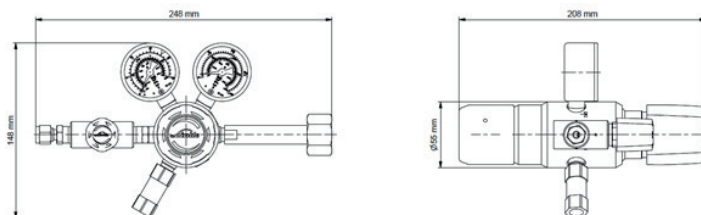


DA

VERSION A | TO-TRINS

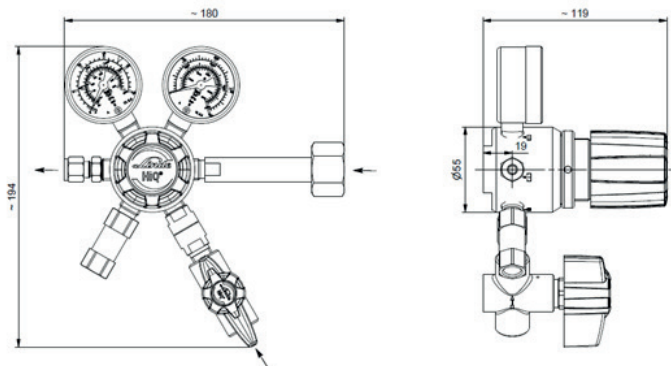


VERSION B | TO-TRINS

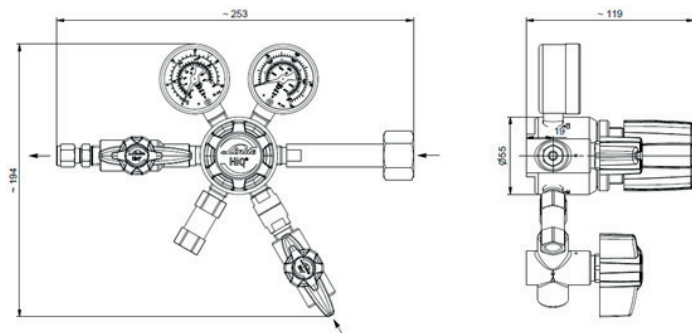


DA

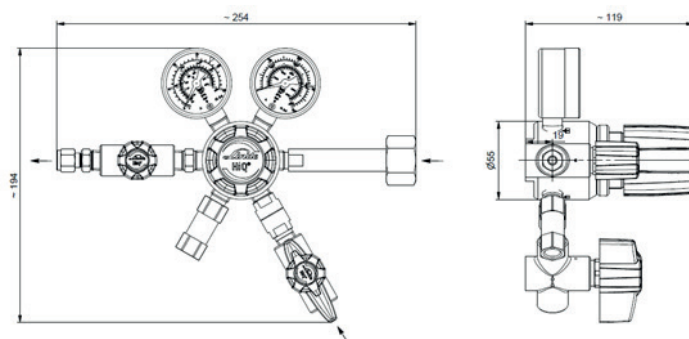
VERSION TP | ET-TRINS



VERSION TPA | ET-TRINS



VERSION TPB | ET-TRINS



3.4. GENERELLE OPLYSNINGER

Oplysning	Oplysning et-trins Messingforkromet	To-trins Messingforkromet	Et-trins Rustfrit stål	To-trins Rustfrit stål
maks. vægt[kg]	2,5	3,3	4,04	4,93
Længde [mm]	223	223	263	263
Bredde [mm]	114	202	114	202
Højde [mm]	168	168	168	168

DA

3.5. TILSLUTNINGSVÆRDIER

Oplysning	Værdi	Enhed
Indgang	DIN477 AFNOR BS CGA Etc.	Flaskeforbindelse
Udgang	1/8", 1/4", 3/8", 1/2" 3, 6, 8, 10, 12 4,8; 6,4; 8,0	Klemringe tommer Klemringe mm Slangestuds mm (maks. 15 bar)
Overtryksventil	1/4"	Klemringe tommer

3.6. EFFEKTFAKTOR

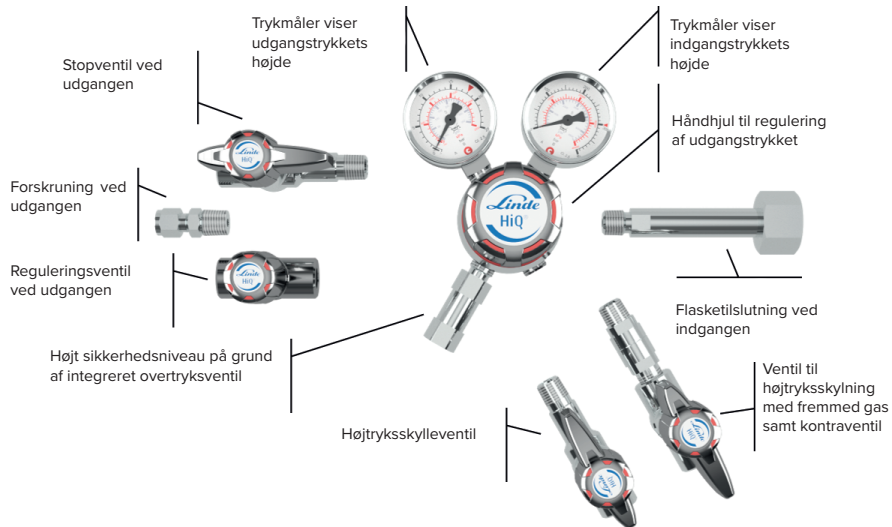
Oplysning	Værdi	Enhed
Nominelt gennembløb (ISO 2503)	20 (Trykluft)	m ³ /h
Indgangstryk (maks.)	C12hv - 12 bar C200hv - 200 bar	bar
Udgangstryk (maks.)	200 (afhængigt af indgangstrykket)	bar

3.7. DRIFSBETINGELSER OMGIVELSER

Oplysning	Værdi	Enhed
Temperaturområde	-20 till +60	°C
Relativ luftfugtighed (maks.)	98	%

4. KONSTRUKTION OG FUNKTION

4.1. MESSING-FORKROMMET VERSION



DA

4.2. KORT BESKRIVELSE

Flasketrykregulatoren betjenes manuelt vha. håndhjulet. Indgangs- og udgangstrykket aflæses henholdsvis på indgangs- eller udgangsmåleren. Forskellige ekstracomponenter indgår i håndteringen:

- Stopventil ved udgangen til lukning af udgangstrykket.
- Reguleringsventil ved udgangen til regulering af udgangstrykket.
- Fremmedgas-skylventil med kontraventil til skylning af indgangen på højtryksiden..

5. TRANSPORT, EMBALLERING OG OPBEVARING



TIP OG ANBEFALINGER!

- Installation og den første ibrugtagning udføres helst af medarbejdere hos producenten eller af personer, der er autoriseret af producenten.
- Det kan dog ske, at håndteringen af pakker, indenfor rammerne af installationen og den videre brug, betros til operatørens betjenings- eller vedligeholdelsespersonale. Derved overholdes de i det følgende anførte henvisninger ubetinget.

5.1. SIKKERHEDSHENVISNINGER FOR TRANSPORTEN



HENVISNING!

- **Tingskader på grund af uhensigtsmæssig transport!**
- Ved uhensigtsmæssig transport er det muligt, at transportstykker falder eller vælter. Derved kan der opstå tingskader af anseelig størrelse.
- Ved afladningen af transportstykker under leveringen samt ved transport i virksomheden bør der udvises forsigtighed, og symbolerne og henvisningerne på emballagen bør overholdes.
- Brug kun de dertil beregnede anslagspunkter.
- Fjern først emballagen kort tid før montagen.

5.2. TRANSPORT INSPEKTION

Leveringen kontrolleres straks ved modtagelsen for fuldstændighed og transportskader.

VED SYNLIGE TRANSPORTSKADER GØR SOM FØLGER:

- Undlad at tage imod leveringen, eller tag imod den med forbehold.
- Marker skadens omfang på transportpapirerne eller på transportørens følgesedel.
- Indled reklamationen.



TIPS OG ANBEFALINGER!

- Anmeld hver mangel, så snart den erkendes. Krav om skadeserstatning kan kun gøres gældende indenfor garantitiden.

5.3. EMBALLAGE

De enkelte pakker er emballeret, så de lever op til de forventede transportbetingelser. Til indpakningen er udelukkende brugt miljøvenlige materialer.

Emballagen skal beskytte de enkelte komponenter mod transportskader, korrosion og andre skader indtil montagen. Derfor må emballagen ikke ødelægges, men må først fjernes kort før montagen.



HENVISNING!

- **Fare for miljøet på grund af forkert bortskaffelse!**
- Emballagematerialer er værdifulde råmaterialer og kan i mange tilfælde bruges videre eller behandles og genanvendes. Forkert bortskaffelse af emballagematerialer kan medføre fare vor miljøet.
- Emballagematerialer skal bortskaffes miljøvenligt.
- Overhold de gældende lokale forskrifter vedrørende bortskaffelse. Om nødvendigt uddelegeres bortskaffelsen til et specialfirma.

DA

5.4. OPBEVARING

Pakkerne opbevares under følgende betingelser:

- Må ikke opbevares udendørs.
- Opbevares tørre og støvfri.
- Må ikke udsættes for aggressive medier.
- Beskyttes mod direkte sollys.
- Undgå mekaniske rystelser.
- Opbevaringstemperatur: 15 til 35 °C.
- Relativ luftfugtighed: maks. 60 %.
- Ved opbevaring længere end 3 måneder kontrolleres alle deles og emballagens generelle tilstand med jævne mellemrum. Om nødvendigt genopriskes eller fornys konserveringen.



TIPS OG ANBEFALINGER!

- Under visse omstændigheder står der på pakkerne henvisninger til opbevaringen, som går ud over de her nævnte krav. Disse skal overholdes.

6. INSTALLATION OG FØRSTE IBRUGTAGNING

6.1. SIKKERHEDSINSTRUKTIONER FOR INSTALLATIONEN OG DEN FØRSTE IBRUGTAGNING

PERSONALE

Installationen og den første ibrugtagning må kun udføres af kvalificeret personale.

6.2. FORBEREDELSE

AT PAKKE UD

- Komponenterne skal pakkes ud forsigtigt og med omtanke.
- Ekstra emballage fjernes ligeledes.
- Alle komponenter undersøges for eventuelle transportskader

AFLASTNING

- Gastryk i eventuelt bestående anlæg aflastes, skylles evt. med inaktiv gas
- Rørledning i eventuelt bestående anlæg skilles ad med specialværktøj. undgå eventuelle spåner
- Sørg for at tilslutningsdelene er i perfekt tilstand og rene

6.3. INSTALLATION

Brug kun trykreduktionsanordninger med flasketilslutning i overensstemmelse med de forskellige gasser og nationale og internationale retningslinjer (DIN477, CGA, AFNOR osv.).



FARE!

- Flaskeventilens og omløbermøtrikkens gevind skal være i perfekt stand.



ADVARSEL!

- Brug altid kun nye pakninger. Pakninger må ikke være misformede og må ikke bære sport af snavs eller metalspåner.
- Brugen af flere pakninger på et tætningssted er ikke tilladt. Brugte pakninger skal fjernes.



ADVARSEL!

- Undlad at bruge nøgleforlængere, da gevind og pakninger i modsat fald kan blive ødelagt.
- Dette kan medføre lækager, ukontrolleret udtræden af gas eller fuldstændig udstrømningen af gasforrådet.
- Brugte pakninger skal fjernes.

DA



ADVARSEL!

- Ved tilslutning eller udskiftning af flasker med giftige eller ætsende gasser træffes tilsvarende forholdsregler til beskyttelse af personen (åndedrætsværn, beskyttelse af øjnene og sikkerhedstøj).
- MAK-værdier (se tekniske regler for farlige stoffer, TGRS 900) overholdes, hold de rigtige filtre til åndedrætsværn parate. Brug udelukkende flasketrykregulatorer med skylleindretning.



FORSIGTIG!!

- Før tilslutningen skal det ved hjælp af typeskiltet kontrolleres, om det foreliggende armatur er egnet til det dertil beregnede anvendelsesformål.

6.3.1. FORBEREDELSE

Det er kun tilladt at bruge trykregulatorer med flasketilslutninger af den respektive standard (DIN477, CGA, AFNOR osv.) svarende til den brugte gassort.

6.3.2. TILSLUTNING AF GASFLASKEN

Ilæg en pakning, der passer til den respektive flasketilslutning og gassort.

Overløbermøtrikken skrues først på flaskens ventiltilslutning med hånden.

Vær opmærksom på højre- og venstregevind!

Sæt trykregulatoren på – undgå, at den sætter sig fast!

Overløbermøtrikken spændes fast med den passende gaffelnøgle. Undlad at bruge nøgleforlængere, da gevind og pakning i modsat fald kan blive ødelagt. Dette kan medføre lækager og ukontrolleret udstrømning af gasforrådet (fuldstændigt tab af gas!).

Ved flasketilslutninger med håndtilslutning spændes overløbermøtrikken håndfast.

OBS! Undlad at bruge nøgler, da gribeflader ellers kan blive ødelagt.



Tilslutningsledningerne monteres normalt med klemringforskrutninger. Først fjernes tilslutningernes lukkehætter. Montagen sker, ved at rørledningen føjes fuldstændigt ind i klemringforskrutningen. Derefter skrues omløbermøtrikken på med hånden og spændes fast med en gaffelnøgle (første installation 1 1/4 omdrejninger for rørledninger større end 1/8 tomme og 3/4 omdrejninger for rørledninger med 1/8 tomme eller mindre, geninstallation 1/4 omdrejninger for alle rørledninger). Overtryksledningen tilsluttes på samme måde til overtryksventilen.

Overhold producenternes henvisninger, såsom vedr. råmaterialets egnethed for bestemte gassorter og trykninger.

Flasketrykregulatoren fås ved et maksimalt udgangstryk på 15 bar med slangestuds.

På grund af studsens kegleform kan slangen ganske enkelt sættes på.

Type TP, TPA, TPB med fremmedgas skylleventil

Ved flasketrykregulatorer med fremmedgas skylleventil (TP, TPA, TPB) skal derudover tilsluttes til en tilslutningsledning for fremmedgassen som beskrevet foroven.

6.4. FORUDSÆTNINGER FOR DEN FØRSTE IBRUGTAGNING

- Rørsystemernes testprotokoller med hensyn til tæthed foreligger, ved forespørgsel også for fugt og partikler.
- Eventuelle slanger til procesgas, udluftnings- og rensningsgasslanger samt slanger til sikkerhedsventil og kontraventil skal være tilsluttet. procesgasledningen indeholder kun standardgas. (se kapitel 1.2)
- Ibrugtagningen må kun udføres af instrueret fagpersonale.
- Brug kun værktøj, der ikke giver gnister, og hav det klar før installationen
- Brug beskyttelsestøj ifølge forskrifterne.
- Ved hjælp af typeskiltet testes det før den første ibrugtagning, om den foreliggende mindsker af flasketrykket er egnet til det påtænkte anvendelsesformål (gas, tryk, råmaterialer osv.)
- Ved brug af ætsende, giftige gassorter og flasketrykmindskerne af rustfrit stål Version TP, TPA, TPB, EP, EPA og/eller EPB, gennemføres før ibrugtagningen en skyning med inaktiv gas (se punkt 6.5.2).

6.5. FØRSTE IBRUGTAGNING

- Alle forudsætninger er opfyldt i henhold til punkt 6.4
- Flasketrykregulatoren er afspændt (lukket), dvs. at håndhjulet er drejet helt ud (mod venstre)
- Når der bruges korroderende og/eller giftig gas og versionen af rustfrit stål TP, TPA, TPB af flasketrykregulatoren, skal der gennemføres en første skyning med inaktiv gas inden den første ibrugtagning (se punkt 6.5.2).



ADVARSEL!

- Der må ubetinget sørges for, at flasketrykregulatoren ikke belastes med større tryk end det end det tilladte driftstryk.

6.5.1. FYLDNING AF PROCESGASLEDNINGEN MED PROCESGAS

Indstil det ønskede udgangstryk ved langsomt at dreje trykregulatorens håndhjul med uret. Nu er flasketrykregulatoren i drift. Det anbefales, at trykregulatoren kontrolleres daglig, og at tætheden tjekkes.

DA

6.5.2. UDSKIFTNING AF FLASKER

Når korroderende og/eller giftig gas og flasketrykregulatoren af rustfrit stål **TP**, **TPA**, **TPB** bruges, skal der før udskiftningen af flaskerne gennemføres en skylning med inaktiv gas (se punkt 6.5.2).



HENVISNING!

Til fremmedgasskylning med inaktiv gas bruges tør, ren skyllegas. Vi anbefaler en gasrenhed, der svarer til brugen.



ADVARSEL!

- Ved udskiftning af flasker med giftige eller ætsende gassorter træffes tilsvarende forholdsregler til beskyttelse af personen (åndedrætsværn, beskyttelse af øjnene og sikkerhedstøj.
- MAK-værdier (se tekniske regler for farlige stoffer, TGRS 900) overholdes, hold de rigtige filtre til åndedrætsværn parate.



FARE!

- Hvis trykgasflasken har indeholdt en giftig eller ætsende gas, skal det trykførende apparat før udskiftning af den tomme flaske skylles med inaktiv gas (skylning med fremmedgas). Dermed opnås det, at den resterende gas, der stadig befinder sig i systemet, bortskaffes via skyllegasledningen.

DA

FORBEREDELSE

1. Gasflaskens ventil lukkes fast
2. Trykregulatoren tømmes helt, viserne på indgangs- og udgangsmåleren skal begge stå på „0“
3. Trykregulatorens håndhjul drejes mod uret til stop, trykregulator lukket
4. Hvor disse findes, lukkes udgangsstop- eller regulatorventilen
5. Ved versionerne P, TP, TPA, TPB gennemføres først en skylle- eller aflastningsprocedure

SKYLNING MED FREMMEDGAS

Skylning ved flasketrykregulatorer med fremmedgas Skyllventil på højtryksiden (TP, TPA, TPB)

A Kontroller, om skyllegasindgangen og procesgasudgangen er korrekt tilsluttet

B Alle ventiler lukkes

C Trykregulatoren slukkes ved at dreje håndhjulet mod uret

D Åbn fremmedgas-skyllventilen

E Luk fremmedgas-skyllventilen

F Åbn kort trykregulator og udgangsstop- eller udgangsreguleringsventil og lad skyllegassen slippe ud igennem flasketrykregulatorens udgang

G Luk flasketrykregulatoren og udgangsstop- eller udgangsreguleringsventilen

Gentag skridtene D – G ti gange for at opnå et perfekt skyllerresultat.

6. Overløbsmøtrikken på gasflasken løsnes med en skruenøgle. Ved en flasketilslutning med håndtilslutning løsnes overløbsmøtrikken med hånden.
7. Tilslut de nye flasker som beskrevet foroven (punkt 6.3.1).

6.5.3. AT TAGE APPARATET UD AF DRIFT

Når korroderende og/eller giftig gas og flasketrykregulatorens udgave af rustfrit stål **TP**, **TPA**, **TPB** bruges, skal der før udskiftningen af flaskerne gennemføres en skylning med inaktiv gas (se punkt 6.5.2).



FORSIGTIG!

- Ved udbygningen bør der generelt sørges for, at: Trykregulatoren og ledningen afspændes igennem afledning af gas via forbrugeren, Viserne på målerne af for- og bagtrykket skal stå helt på "0".
- Ved ætsende eller giftige gassorter skylles alle komponenter med inaktiv gas.
- Træf forholdsregler til beskyttelse af personen (åndedrætsværn, beskyttelse af øjnene og sikkerhedstøj).
- MAK-værdier (se tekniske regler for farlige stoffer, TGRS 900) overholdes, hold de rigtige filtre til åndedrætsværn parate.

1. Gasflaskeventilen lukkes fast
2. Trykregulatoren tømmes helt, viserne på indgangs- og udgangsmåleren skal begge stå på „0“
3. Trykregulatorens håndhjul drejes mod uret til stop, trykregulator lukket
4. Hvor disse findes, lukkes udgangsstop- eller reguleringsventilen
5. Ved versionerne **TP**, **TPA**, **TPB** gennemføres først en skylning eller aflastning (se punkt 6.5.2)
 - Luk flasketrykregulatoren ved at dreje trykreguleringshåndhjulet mod uret.
 - Afspænd rørledningen!
 - Nu er flasketrykregulatoren ude af drift. Nu er det muligt at gennemføre reparation og vedligeholdelse.

6.6. KONTROLLER

- Efter trykaflastningen kontrolleres trykregulatorens funktion.
- Kontroller, at overtryksventilen er tæt.

7. DRIFT

Driften af flasketrykregulatoren er i henhold til kapitel 2.1 defineret for standardgas.



FORSIGTIG!

- Håndventiler skal altid åbnes langsomt og forsigtigt for at undgå trykstød i systemet og beskytte andre komponenter.

For en kort afbrydelse af gasudvindingen er det tilstrækkeligt at lukke afskærings- eller reguleringsventilen på regulatoren. Ved længere afbrydelser skal regulatoren trykaflastes ved at dreje håndhjulet mod uret. Af sikkerhedshensyn skal du lukke cylinderventilen.

DA

8. VEDLIGEHOLDELSE

8.1. SIKKERHEDSHENVISNINGER FOR VEDLIGEHOLDELSEN



HENVISNING!

- Vedligeholdelse må kun udføres af kvalificeret, uddannet og autoriseret personale. (se kapitel 2.4).

8.2. VEDLIGEHOLDSESPLAN

I de næste afsnit beskrives vedligeholdelsesarbejde, som er nødvendigt for optimal og fejlfri drift af apparatet.

I fald der ved regelmæssige kontroller lægges mærke til øget slitage, skal de nødvendige vedligeholdelsesintervaller afkortes, så de svarer til den faktiske slitage.



HENVISNING!

- Ved alle spørgsmål vedrørende vedligeholdelsesarbejde og vedligeholdelsesintervaller kontakt kundeservicetjenesten.

Interval	Vedligeholdelsesarbejde	Personal
Ugentligt	Alle komponenter kontrolleres visuelt	Kvalificeret person (TRBS 1203)
En gang om året	Driftskontrol af funktion og tæthed, kontrol af alle sikkerhedsrelevante dele	Kvalificeret person (TRBS 1203)
Hvert 10. år	Generel istandsættelse og udskiftning af alle sliddele	Kvalificeret person (TRBS 1203)

8.3. VEDLIGEHOVELSESARBEJDE

8.3.1. RENSNING



HENVISNING!

- Rengøringsmidler skal kunne tåles af de materialer, som de kommer i berøring med.

8.3.2. FORUDSÆTNING FOR VEDLIGEHOLD

FØR VEDLIGEHOVELSEN BEGYNDER, SKAL DET KONTROLLERES, AT

- Gasforsyningen er afbrudt og sikret.
- Afspændingsstationen er fri for tryk.
- Trykregulatoren er afspændt.
- Ventilen er lukket.
- Der ikke længere er procesgas i systemet.
- Systemet blev skyllet rent med en inaktiv gas.

8.3.3. NØDVENDIG VEDLIGEHOLD

- Kontrol af, at trykkets værdier vises nøjagtigt.
- Afspændingsstation, trykregulator, ventiler og trykvisninger: Kontroller tilstanden for funktion, tilstand og markering.
- Kontrol af markeringen.
- Kontrol for korrosion.
- Kontrol af funktionen.
- Test tætheden med enkelt driftstryk i 12 timer.
- Slidte og defekte komponenter udskiftes straks, og dette arbejde skal under alle omstændigheder gennemføres af et autoriseret specialfirma.
- Ventilernes design følger ISO 10297. Indeholdt deri er en typetest, hvorved ventilen har gennemgået en livstidstest på op til 2000 cyklusser. Efter 2000 cyklusser udskiftes indvendige dele, der kommer i berøring med mediet, og dette arbejde skal under alle omstændigheder gennemføres af et autoriseret specialfirma.
- Hvis der opdages utætheder eller overdreven korrosion på afspændingsstation/trykregulator eller ventil, skal disse udskiftes komplet imellem den næste mulige opløselige forbindelse, og dette arbejde udføres ligeledes af et autoriseret specialfirma.
- Efter udskiftningen af komponenter eller rørledningsmodul udføres og logges nye tryktest.

8.4. FORHOLDSREGLER EFTER GENNEMFØRT VEDLIGEHOLD

EFTER VEDLIGEHOVELSESARBEJDETS AFSLUTNING OG FØR DEN NYE IBRUGTAGNING AF AFSPÆNDINGSSTATIONEN, TRYKREGULATOREN ELLER VENTILEN GENNEMFØRES DE FØLGENDE SKRIDT:

1. Sørg for, at alt brug værktøj, alle materialer og andet udstyr er fjernet fra arbejdsområdet.
2. Rengør arbejdsområdet og fjern eventuelt spildte stoffer, som f.eks. væsker, råmaterialer og lignende.
3. Sørg for, at alle systemets sikkerhedsindretninger fungerer upåklageligt.

9. FEJL

I det følgende kapitel er beskrevet mulige årsager for fejl og det arbejde, er skal rette dem. Hvis der opstår flere fejl, skal vedligeholdelsesintervallerne forkortes, så de svarer til den faktiske belastning. Ved fejl, der ikke kan rettes ved hjælp af de følgende henvisninger, kontakt producenten.

9.1. SIKKERHEDSHENVISNINGER FOR RETTELSEN AF FEJL

Ved fejl skal gasforsyningen altid afbrydes, trykregulatoren afspændes og ventilerne lukkes. Gennemfør under ingen omstændigheder vedligeholdelsesarbejde på komponenter under tryk.

ADFÆRD VED FEJL:

1. Gasforsyningen afbrydes og sikres.
2. Trykregulatoren afspændes, ventiler lukkes.
3. Kun kvalificeret personale må rette fejl.
4. Genopret apparatets udgangstilstand.

Beskrivelse	Årsag	Løsning	Ventiler	Flasketrykregulator	Ledningstrykregulator	Afspændingsstationer
Intet gennemløb (indgangstrykmåleren viser tryk, udgangstrykmåleren gør ikke)	Trykregulator lukket	Åbn trykregulatoren langsomt Luk skylleventilen		<input checked="" type="checkbox"/>	<input checked="" type="checkbox"/>	<input checked="" type="checkbox"/>
Intet gennemløb (begge trykmålere viser nul)	Flaskeventil lukket Brugsgasventil lukket Trykregulator lukket Spiral/slange ikke tilsluttet	Ibrugtagning ifølge punkt 6. Installation og første ibrugtagning		<input checked="" type="checkbox"/>	<input checked="" type="checkbox"/>	<input checked="" type="checkbox"/>
Intet gennemløb	Trykregulator lukket	Åbn trykregulatoren langsomt	<input checked="" type="checkbox"/>			
Bagtrykket stiger og overtryksventilen åbnes	Lækage i trykregulatorpasningen	Reparation udføres af producent		<input checked="" type="checkbox"/>	<input checked="" type="checkbox"/>	<input checked="" type="checkbox"/>
Let stigning af bagtrykket og overtryksventilen åbnes ikke	Fald af fortryk	Ingen fejl, normal driftstilstand		<input checked="" type="checkbox"/>	<input checked="" type="checkbox"/>	<input checked="" type="checkbox"/>
Let stigning af bagtryk	Forskel imellem tilgangstryk (med gennemløb) og dynamisk tryk (intet gennemløb)	Ingen fejl, normal driftstilstand		<input checked="" type="checkbox"/>	<input checked="" type="checkbox"/>	<input checked="" type="checkbox"/>

DA

Beskrivelse	Årsag	Løsning	Ventiler	Flasketrykregulator	Ledningstrykregulator	Afspændingsstationer
Let fald af bagtryk	Forskel imellem dynamisk tryk (intet gennemløb) og tilgangstryk (med gennemløb)	Ingen fejl, normal driftstilstand		<input checked="" type="checkbox"/>	<input checked="" type="checkbox"/>	<input checked="" type="checkbox"/>
Stærkt fald af bagtryk	Nødvendigt gennemløb for trykregulator for stort	Valg af en ny trykregulator for nødvendigt tryk og gennemløb		<input checked="" type="checkbox"/>	<input checked="" type="checkbox"/>	<input checked="" type="checkbox"/>
Stærkt fald af bagtryk	Utæt procesgasledning	Kontroller procesgasledning		<input checked="" type="checkbox"/>	<input checked="" type="checkbox"/>	<input checked="" type="checkbox"/>
Udgangstryk for højt	Forkert indstillet regulator	Indstilling af trykregulator tilpasses, justeres, vedligehold		<input checked="" type="checkbox"/>	<input checked="" type="checkbox"/>	<input checked="" type="checkbox"/>
Bagtryk stiger straks til anslag eller bagtryk stiger langsomt over den indstillede værdi og overtryksventilen blæser af	Forurening eller beskadigelse af pasningen "stiger"	Reparation udføres af producent		<input checked="" type="checkbox"/>	<input checked="" type="checkbox"/>	<input checked="" type="checkbox"/>
Lyde under driften	Nødvendigt gennemløb for trykregulator for stort	Valg af en ny trykregulator for nødvendigt tryk og gennemløb		<input checked="" type="checkbox"/>	<input checked="" type="checkbox"/>	<input checked="" type="checkbox"/>
Ingen forandring af ventilstyringen på trods af at håndjulet drejes	Håndhjul defekt på grund af for højt omdrejningsmoment, spindel defekt, gevind defekt	Reparation udføres af producent	<input checked="" type="checkbox"/>	<input checked="" type="checkbox"/>	<input checked="" type="checkbox"/>	<input checked="" type="checkbox"/>
Fugtighed af trykregulator (INGEN dug, regn eller sne)	Trykregulator trækker energi ud af miljøet vha. gasafspænding	Ingen fejl Normal driftstilstand		<input checked="" type="checkbox"/>	<input checked="" type="checkbox"/>	<input checked="" type="checkbox"/>

Beskrivelse	Årsag	Løsning	Ventiler	Flasketrykregulator	Ledningstrykregulator	Afspændingsstationer
Isdannelse på trykregulator (INGEN dug, regn eller sne)	Trykregulator trækker energi ud af miljøet vha. gasafspænding, begrænset leveringsydelse af trykgasbeholderen, f.eks. ved N ₂ O, CO ₂	Ingen fejl Normal driftstilstand: OBS! Hold øje med kontaktrykmålerens funktion, og antallet af trykgasbeholdere		☑	☑	☑

Denne tabel hævder ikke at være fuldstændig. Ved spørgsmål og uklarheder kontakt producenten.

10. AFMONTERING OG BORTSKAFFELSE

Efter apparatets brugstid er nået, skal apparatet afmonteres og tilføres en miljøvenlig metode til bortskaffelse.

10.1. SIKKERHEDSHENVISNINGER FOR DEMONTERING OG BORTSKAFFELSE

DA



ADVARSEL!

- **Fare for personskader ved uhensigtsmæssig afmontering!**
- Oplagrede rest-energi, kantede komponenter, spidser og hjørner på og i apparatet eller på de nødvendige værktøjer kan medføre personskader.
- Sørg for nok plads, før arbejdet begynder.
- Omgås komponenter med åbne og skarpe kanter med forsigtighed.
- Sørg for orden og renlighed på arbejdspladsen!
- Komponenter og værktøj, der ligger og flyder, kan forårsage ulykker.
- Komponenter afmonteres fagligt korrekt. Bemærk komponenternes til dels store egen vægt. Om nødvendigt bruges løfteudstyr.
- Sørg for, at komponenterne ikke falder ned eller vælter.
- I tvivlstilfælde kontakt producenten.

10.2. AFMONTERING

FØR AFMONTERINGEN BEGYNDER

Flasketrykregulatoren lukkes ved, at håndhjulet drejes mod uret.

Flasketrykregulatoren afspændes, og det sikres, at der ikke længere er procesgas i dens indre.

Systemet afspændes og skylles om nødvendigt med en inaktiv gas.

Drifts- og hjælpestoffer samt rester af råmaterialer fjernes og bortskaffes miljøvenligt.

Rengør efterfølgende moduler og komponenter fagligt korrekt og skil dem ad under overholdelse af gældende lokale arbejdssikkerheds- og miljøforskrifter.



ADVARSEL!

- **Undlad at åbne systemet, mens det stadig indeholder giftig og/eller korroderende gas!**

10.3. BORTSKAFFELSE

Såfremt der ikke er lavet aftale om tilbagelevering eller bortskaffelse, gives de adskilte bestanddele til genbrug:

Metaller skrottes.

Plastelementer gives til genbrug.

Øvrige komponenter bortskaffes sorteret efter materialernes beskaffenhed.

I henhold til artikel 33 i REACH-forordningen forpligter selskabet GCE, s.r.o. sig som ansvarlig producent til at informere alle kunderne om det, hvis materialerne indeholder 0,1 % eller mere af de på listen anførte bekymrende stoffer (SVHC).

De messinglegeringer, der oftest bruges til kroppe og andre messingkomponenter, indeholder 2-3 % bly (Pb), EF-nr. 231-468-6, CAS-nr. 7439-92-1. Ved normal brug afgives bly ikke til gas eller miljøet. I slutningen af sin levetid skal produktet bortskaffes af en virksomhed, der er autoriseret til genbrug af metaller, for at sikre en effektiv bortskaffelse af materialerne ved en minimal påvirkning af miljøet og helbredet.

Til dags dato foreligger der ingen informationer, som tyder på, at GCE-produkter indeholder materialer med SVHC-koncentrationer over 0,1 %.



HENVISNING!

- **Fare for miljøet på grund af forkert bortskaffelse!**
- Forkert bortskaffelse kan medføre fare for miljøet.
- El-skrot, el-komponenter, smøre- og andre hjælpestoffer skal bortskaffes af autoriserede specialister.
- I tvivlstilfælde spørges de lokale kommunale myndigheder eller specialister indenfor bortskaffelse til råds om miljørigtig bortskaffelse.

DA

www.linde.com

Denne vare blev fremstillet på ordre fra Linde.

DA

CONTEÚDO

1. GENERALIDADES	174
1.1. INFORMAÇÃO SOBRE ESTE MANUAL	174
1.2. INFORMAÇÕES SOBRE O REGULADOR DE PRESSÃO DE GARRAFAS	174
1.3. EXPLICAÇÃO DOS SÍMBOLOS	175
1.4. LIMITAÇÃO DA RESPONSABILIDADE	176
1.5. DIREITO DE AUTOR	176
1.6. PEÇAS DE REPOSIÇÃO	176
1.7. NORMAS DA GARANTIA	177
1.8. APOIO AO CLIENTE	177
2. SEGURANÇA	177
2.1. UTILIZAÇÃO CORRETA	177
2.1.1. ALTERAÇÕES ESTRUTURAIS NO REGUÇADOR DA PRESSÃO DE GARRAFAS	177
2.2. PERIGOS	177
2.3. RESPONSABILIDADE DO PROPRIETÁRIO	179
2.4. REQUISITOS DE PESSOAL	179
2.4.1. QUALIFICAÇÕES	179
2.4.2. PESSOAS NÃO AUTORIZADAS	180
2.4.3. INSTRUÇÕES	180
2.5. EQUIPAMENTO DE PROTEÇÃO INDIVIDUAL	180
2.6. COMPORTAMENTO EM CASO DE INCÊNDIO E ACIDENTES	181
2.7. INDICAÇÃO SOBRE PROTEÇÃO	181
2.8. PLACAS	181
2.8.1. SINAL DE OBRIGAÇÃO	181
2.8.2. SINAL DE PROIBIÇÃO	181
2.8.3. SINAL DE AVISO	181
3. DADOS TÉCNICOS	182
3.1. FLUXOGRAMA – VERSÃO DE UM ESTÁGIO	182
3.2. XOGRAMA – VERSÃO DE DOIS ESTÁGIOS	184
3.3. FOLHA DE DIMENSÕES	185
3.4. INFORMAÇÕES GERAIS	187
3.5. VALORES DE LIGAÇÃO	187
3.6. VALORES DE POTÊNCIA	187
3.7. CONDIÇÕES DE FUNCIONAMENTO AMBIENTE	187
4. ESTRUTURA E FUNCIONAMENTO	188
4.1. VERSÃO LATÃO CROMADO	188
4.2. BREVE DESCRIÇÃO	188
5. TRANSPORTE, EMBALAGEM E ARMAZENAMENTO	188
5.1. INDICAÇÕES DE SEGURANÇA PARA A NOTA DE TRANSPORTE!	188
5.2. INSPEÇÃO NO TRANSPORTE	189
5.3. EMBALAGEM	189
5.4. ARMAZENAMENTO	189
6. INSTALAÇÃO E PRIMEIRA COLOCAÇÃO EM FUNCIONAMENTO	189
6.1. INDICAÇÕES DE SEGURANÇA FÜR DIE INSTALAÇÃO E PRIMEIRA COLOCAÇÃO EM FUNCIONAMENTO	189
6.2. PREPARAÇÕES	190
6.3. INSTALAÇÃO	190
6.3.1. PREPARAÇÃO	190
6.3.2. LIGAR A GARRAFA DE GÁS	190
6.4. CONDIÇÕES PARA A PRIMEIRA COLOCAÇÃO EM FUNCIONAMENTO	191
6.5. PRIMEIRA COLOCAÇÃO EM FUNCIONAMENTO	191
6.5.1. ENCHIMENTO DE GÁS DE PROCESSO NA RESPECTIVA TUBAGEM	192
6.5.2. TROCA DE GARRAFA	192
6.5.3. COLOCAR FORA DE SERVIÇO	193
6.6. CONTROLOS	193
7. OPERAÇÃO	193

8. MANUTENÇÃO	193
8.1. INDICAÇÕES DE SEGURANÇA PARA A MANUTENÇÃO.....	193
8.2. PLANO DE MANUTENÇÃO.....	193
8.3. TRABALHOS DE MANUTENÇÃO	194
8.3.1. LIMPEZA.....	194
8.3.2. CONDIÇÕES DA MANUTENÇÃO	194
8.3.3. NECESSÁRIO SERVIÇO DE MANUTENÇÃO.....	194
8.4. MEDIDAS APÓS MANUTENÇÃO	195
9. AVARIAS.....	195
9.1. INDICAÇÕES DE SEGURANÇA PARA A RESOLUÇÃO DE AVARIAS.....	195
10. DESMONTAGEM E ELIMINAÇÃO.....	198
10.1. INDICAÇÕES DE SEGURANÇA PARA DESMONTAGEM E ELIMINAÇÃO	198
10.2. DESMONTAGEM.....	198
10.3. ELIMINAÇÃO	198

PT

PORTUGUÊS

INSTRUÇÕES DE USO: REGULADOR DE PRESSÃO DE GARRAFAS DE 6 PORTAS

1. GENERALIDADES

1.1. INFORMAÇÃO SOBRE ESTE MANUAL

Este manual é válido para reguladores da pressão de garrafas de um e de dois estágios do tipo:

- C12hv
- C200hv

Os reguladores da pressão de garrafas destinam-se à ligação direta a garrafas de gás para redução da pressão da garrafa para valores de pressão de saída baixos. As ligações da garrafa têm diferentes rosca, de acordo com a respetiva norma (DIN 477, CGA, AFNOR, etc.) e conforme o tipo de gás. Note que:

Este manual permite o manuseamento seguro e eficiente do regulador de pressão de garrafas.

O manual faz parte do aparelho e tem de ser guardado próximo do mesmo, para o pessoal poder aceder quando quiser. O pessoal tem de ter lido e compreendido este manual antes de iniciar qualquer trabalho. Condição para um trabalho seguro é o cumprimento de todas as indicações de segurança e instruções de manuseamento especificadas neste manual. Aplicam-se ainda os regulamentos locais de prevenção de acidentes e as normas gerais de segurança relativas ao uso do aparelho. As imagens neste manual destinam-se à compreensão básica e podem divergir da versão real.

1.2. INFORMAÇÕES SOBRE O REGULADOR DE PRESSÃO DE GARRAFAS

Os reguladores da pressão de garrafas deste tipo só podem ser usados com os gases definidos como gás padrão. A pressão máxima de entrada para o C12hv é no máx. 12 bar e para o C200hv é no máx. 200 bar.

PT

Linha de produto	(Pureza 6.0 latão cromado)	(Pureza 6.0 aço inoxidável)
Com assento FKM da válvula de respiro	<ul style="list-style-type: none">• Gases aplicáveis (inclusive respetivas misturas):<ul style="list-style-type: none">• High Purity• Inerte• Inflamável• Comburente• O₂• Gases NÃO aplicáveis (inclusive respetivas misturas):<ul style="list-style-type: none">• Corrosivo• Tóxico• CO₂, N₂O	<ul style="list-style-type: none">• Gases aplicáveis (inclusive respetivas misturas):<ul style="list-style-type: none">• High Purity• Inerte• Inflamável• Comburente (até 200 bar)• Corrosivo (Em caso de dúvida, deve consultar)• Tóxico (iEm caso de dúvida, deve consultar)• Aplicável a O₂ até 200 bar• Gases NÃO aplicáveis (inclusive respetivas misturas):<ul style="list-style-type: none">• O₂ acima de 200 bar• CO₂, N₂O• NH₃, SO₂, H₂S

<p>Com assento EPDM da válvula de respiro</p>	<ul style="list-style-type: none"> • Gases aplicáveis (inclusive respetivas misturas): <ul style="list-style-type: none"> • High Purity • Inerte • Inflamável • Comburente • CO₂, N₂O • Gases NÃO aplicáveis (inclusive respetivas misturas): <ul style="list-style-type: none"> • Corrosivo • Tóxico • O₂ <p>(percentagem superior a 21%)</p> <ul style="list-style-type: none"> • Hidrocarbonetos 	<ul style="list-style-type: none"> • Gases aplicáveis (inclusive respetivas misturas): <ul style="list-style-type: none"> • High Purity • Inerte • Inflamável • Comburente • Corrosivo (Em caso de dúvida, deve consultar) • Tóxico (iEm caso de dúvida, deve consultar) • CO₂, N₂O • NH₃, SO₂, H₂S • Gases NÃO aplicáveis (inclusive respetivas misturas): <ul style="list-style-type: none"> • O₂ <p>(percentagem superior a 21%)</p> <ul style="list-style-type: none"> • Hidrocarbonetos
--	---	--

Esta tabela pode não estar completa. Se tiver perguntas ou dúvidas, entre em contacto com o fabricante.

Existe um regulador de pressão das garrafas de um e de dois estágios com membrana de metal no modelo de 6 portas. Fabricado e aprovado conforme ISO7291 inclusive teste de cauterização de oxigénio (ver tabela parágrafo 1.2). O regulador de pressão de garrafas é composto pelo corpo do regulador de pressão, pelo manómetro de entrada e saída, pela ligação da garrafa e uma válvula de respiro. Ele tem diversas uniões roscadas de ligação e/ou diversos componentes adicionais, tais como:

- válvula de corte na saída (A)
- válvula de regulação na saída (B)
- gás externo válvula de purga na entrada (TP).
- gás externo válvula de purga na entrada e válvula de corte na saída (TPA), apenas no modelo inoxidável.
- gás externo válvula de purga na entrada e válvula de regulação na saída (TPB), apenas no modelo inoxidável.

Os modelos C200/1 TP, C200/1 TPA, C200/1 TPB, C200/2 TP, C200/2 TPA e C200/2 TPB permitem a purga do regulador de pressão com gás externo. Desse modo, são particularmente adequados a gases corrosivos e tóxicos.

Os reguladores de pressão de garrafas com possibilidade de purga permitem a secagem das válvulas ou a remoção de ar atmosférico húmido, que pode ter entrado no regulador de pressão antes da colocação em funcionamento ou na troca de garrafa, e permite a purga completa de gases corrosivos ou auto inflamáveis para fora das válvulas, antes da desativação.

1.3. EXPLICAÇÃO DOS SÍMBOLOS

INDICAÇÕES DE SEGURANÇA

As indicações de segurança estão identificadas neste manual por símbolos. As indicações de segurança são introduzidas por palavras de sinalização, que exprimem a dimensão do perigo.



PERIGO!

Esta combinação de símbolo e palavra de sinalização remete para uma situação perigosa eminente, que causa ferimentos graves que podem ser fatais, caso não seja evitada.



AVISO!

Esta combinação de símbolo e palavra de sinalização remete para uma situação possivelmente perigosa, que pode causar ferimentos graves que podem ser fatais, caso não seja evitada.



CUIDADO!

Esta combinação de símbolo e palavra de sinalização remete para uma situação possivelmente perigosa, que pode causar ferimentos ligeiros ou moderados, caso não seja evitada.



NOTA!

Esta combinação de símbolo e palavra de sinalização remete para uma situação possivelmente perigosa, que pode causar danos materiais e ambientais, caso não seja evitada.



DICAS E RECOMENDAÇÕES

Este símbolo fornece dicas úteis e recomendações, bem como informações sobre uma operação eficiente e sem problemas.

INDICAÇÕES ESPECIAIS

Usam-se os seguintes símbolos nas indicações de segurança para chamar a atenção para perigos especiais.



PERIGO!

Esta combinação de símbolo e palavra de sinalização remete para uma situação perigosa eminente por choque elétrico. Se esta indicação identificada não for observada, podem ocorrer ferimentos graves ou fatais.

1.4. LIMITAÇÃO DA RESPONSABILIDADE

Todas as informações e indicações neste manual foram reunidas tendo em conta as normas e regulamentos em vigor, o estado tecnológico atual e os nossos conhecimentos e experiências de longa duração.

O fabricante não se responsabiliza por danos nos seguintes casos:

- Inobservância deste manual
- Utilização incorreta
- Mobilização de pessoal sem formação
- Alterações técnicas e estruturais por iniciativa própria
- Utilização de peças de reposição não autorizadas
- Operação do aparelho pressurizado com os dispositivos de segurança avariados ou com os dispositivos de proteção e segurança mal instalados ou não funcionais; deficiente monitorização das peças de equipamento, união roscada e vedação, que estão sujeitas a desgaste
- Reparações indevidamente realizadas
- Faixa de temperatura especificada na ficha técnica excedida ou não alcançada durante a operação ou durante o armazenamento
- Catástrofes por influência de corpos estranhos e força maior

O volume real de fornecimento pode divergir das explicações aqui descritas e ilustrações nos modelos especiais, da exigência de opções de encomenda extra ou devido às mais recentes alterações técnicas. São válidos os deveres acordados no contrato, as condições comerciais gerais e as condições de fornecimento do fabricante e os regulamentos válidos no momento da assinatura do contrato.

1.5. DIREITO DE AUTOR

Os conteúdos deste manual estão protegidos por direitos de auto. Podem ser usados no âmbito da utilização deste aparelho. Qualquer uso para além desse não é permitido sem o consentimento escrito do fabricante.

1.6. PEÇAS DE REPOSIÇÃO



AVISO!

- Perigo de ferimento por uso de peças de reposição erradas!
- O uso de peças de reposição erradas ou com defeito pode causar perigos para o pessoal e danos, anomalias ou a falha total.
- Usar somente peças de reposição originais do fabricante ou aprovadas pelo mesmo.
- Em caso de dúvida, entre sempre em contacto com o fabricante.



PERDA DA GARANTIA!

- Se forem usadas peças de reposição não aprovadas, a garantia do fabricante caduca.

1.7. NORMAS DA GARANTIA

Basicamente aplicam-se os nossos "Termos e Condições". Estes estão à disposição do cliente o mais tardar no momento da concretização do contrato.

1.8. APOIO AO CLIENTE

Estamos sempre interessados em informações e experiências resultantes da utilização e que podem ser úteis para melhorar os nossos produtos.

2. SEGURANÇA

Esta secção permite ver todos os aspetos de segurança importantes para proteção de pessoas e para uma operação segura e sem problemas. Nas secções sobre cada uma das fases de vida há mais indicações de segurança relativas ao contrato.

2.1. UTILIZAÇÃO CORRETA

Os reguladores da pressão de garrafas do tipo C12hv e C200hv destinam-se apenas aos gases e pressões especificados, cumprindo as temperaturas indicadas. O fluxo volumétrico nominal é 20 m³/h, conforme ISO 2503 (ar comprimido). Uma utilização correta implica também o cumprimento de todas as informações e indicações neste manual e o cumprimento dos trabalhos de inspeção e manutenção, bem como a observação da placa de características e das fichas técnicas. Qualquer utilização para além desta é considerada abusiva.



AVISO!

- **Perigo de abuso!**
- O abuso dos reguladores da pressão das garrafas pode causar situações perigosas.
- Nunca use os reguladores da pressão das garrafas como elemento de regulação do fluxo ou como válvula de corte.
- Nunca use o regulador de pressão de garrafas para líquidos.

PT

2.1.1. ALTERAÇÕES ESTRUTURAIS NO REGUÇADOR DA PRESSÃO DE GARRAFAS

Sem o consentimento escrito do fabricante, não deve proceder a alterações, anexações ou remodelações no regulador de pressão de garrafas.

Os reguladores da pressão das garrafas que não estão em perfeitas condições devem ser imediatamente trocados

Limpeza dos aparelhos de gás e eliminação dos resíduos. Os reguladores da pressão das garrafas usados que estão para reparar devem ser lavados com um gás inerte (nitrogénio).

Formação de ruído

Em algumas situações, a interação desfavorável de determinadas variáveis, tais como fluxo e faixa de pressão, mas também o tipo de gás podem formar ruído. Nestes casos, entre em contacto com o fabricante.

2.2. PERIGOS

A seguinte secção demonstra outros riscos que podem emanar do aparelho, mesmo quando é usado corretamente. Para reduzir os riscos de danos pessoais e materiais e evitar situações perigosas, é impreterível observar as indicações de segurança aqui apresentadas e as que constam nas outras secções.



PERIGO!

- **Gases podem ser um risco à vida!**
- Gases podem repelir o ar e, por conseguinte, o oxigénio que contém. Isso pode causar morte por asfixia. O oxigénio forma uma atmosfera altamente oxidativa. Os gases inflamáveis podem formar uma atmosfera explosiva.

POR ISSO:

- Proporcionar uma boa ventilação!
- Instalação somente por parte de uma empresa especializada certificada!
- Observar as diretivas ATEX



ATENÇÃO!

- **Perigos que podem surgir pelo ambiente!**

A condensação e/ou a formação de gelo pode causar avarias no aparelho.

POR ISSO:

- Observar as faixas de temperatura!
- Proteja o aparelho contra líquidos do exterior!
- Proteja o aparelho contra poeiras do exterior!
- Montar protegido das condições climáticas!
- Ligação à terra existente corretamente estabelecida!



AVISO!

- **Perigo de acidente na utilização de óleo e gordura!**

Por norma, não podem ser usados óleos e gorduras em sistemas de regulação da pressão. Os óleos e as gorduras são altamente inflamáveis e reagem fortemente a determinados gases comprimidos.

POR ISSO:

- Nunca aplique óleo e gordura!



AVISO!

- **Perigo de acidente por energia acumulada no sistema!**

Um manuseamento errado pode colocar peças ou componentes submetidos a pressão descontroladamente em movimento, causando ferimentos graves ou até fatais. Um manuseamento errado pode causar a saída de gás das peças submetidas a pressão, originando ferimentos graves ou até fatais.

ANTES DE INICIAR OS TRABALHOS COM PEÇAS SUBMETIDAS A PRESSÃO:

- Instalação somente por parte de uma empresa especializada certificada!
- Usar óculos de proteção!
- Usar proteção auditiva!
- Certificar-se que o sistema não está sob pressão!
- Certificar-se que não está acumulada nenhuma energia no sistema!
- Certificar-se que não pode sair nenhum gás acidentalmente!
- Certificar-se que as peças avariadas são imediatamente trocadas por pessoal formado!

PT



AVISO!

- **Perigo de acidente!**

Uma instalação incorreta pode causar ferimentos graves que podem mesmo ser fatais.

POR ISSO:

- Proteção dos aparelhos contra queda durante a instalação!
- Não lançar aparelhos!

As peças submetidas a pressão só podem ser usadas para o fim a que se destinam.

No caso de dano mecânico das tubagens e válvulas, o sistema tem de ser arranjado (bloquear secção em questão).

As avarias que podem por em causa a segurança devem ser imediatamente eliminadas por colaboradores devidamente formados e qualificados ou pelo fabricante.

Sobretudo no caso de gases, existe o perigo de um defeito no regulador de pressão da tubagem. Um indício disso é a falta de fluxo de gás após o regulador de pressão ou uma subida repentina da pressão posterior. Se o regulador de pressão estiver avariado, deve colocar o sistema imediatamente fora de serviço. Deve informar logo a empresa de manutenção competente. Nunca feche as tubagens de respiro.

2.3. RESPONSABILIDADE DO PROPRIETÁRIO

PROPRIETÁRIO

O proprietário é a pessoa que opera o aparelho para fins comerciais ou económicos ou que o cede a terceiros para uso e que durante o funcionamento assume a responsabilidade legal pelo produto relativamente ao utilizador, ao pessoal ou a terceiros.

DEVERES DO PROPRIETÁRIO

O aparelho é usado no setor industrial. O proprietário do aparelho está, por isso, sujeito aos deveres industriais relativos à segurança no trabalho.

Para além das indicações de segurança neste manual, é necessário respeitar também os regulamentos de segurança, prevenção de acidentes e ambientais aplicáveis ao uso do aparelho.

APLICA-SE SOBRETUDO O SEGUINTE:

- O proprietário tem de se informar sobre os regulamentos de proteção no trabalho em vigor e fazer uma análise de outros riscos, que resultam das condições especiais de trabalho no local de aplicação do aparelho. Ele deve elaborar isso em formato de instruções de serviço para operar com o aparelho.
- O proprietário tem de verificar, durante todo o tempo de aplicação do aparelho, se as suas instruções de serviço correspondem ao estado atual dos regulamentos e, caso necessário adaptá-las.
- O proprietário tem de determinar claramente as competências pela instalação, operação, resolução de avarias, manutenção e limpeza.
- O proprietário tem de garantir que todas as pessoas que lidam com o aparelho tenham lido e compreendido estas instruções. Deve ainda dar regularmente formação ao pessoal e informá-lo sobre os perigos.
- O proprietário tem de disponibilizar ao pessoal o necessário equipamento de proteção individual e garantir o uso obrigatório do mesmo.

Outras vezes, o operador é responsável por assegurar que a fiabilidade técnica total do sistema é garantida a todo o momento.

APLICA-SE, PORTANTO, O SEGUINTE:

- O operador deve assegurar o cumprimento dos intervalos de manutenção especificados neste manual.
- O operador deve assegurar-se de que todos os dispositivos de segurança são regularmente verificados quanto à sua fiabilidade e integridade funcional.

2.4. REQUISITOS DE PESSOAL

2.4.1. QUALIFICAÇÕES

As diferentes tarefas descritas neste manual representam diferentes exigências à qualificação das pessoas, que estão incumbidas destas tarefas.



AVISO!

- **Perigo para as pessoas se não tiver uma qualificação suficiente!**
- Pessoas insuficientemente qualificadas podem não conseguir avaliar os riscos do manuseamento do aparelho, colocando-se a si e aos outros em perigo, que pode ser grave ou até fatal.
- Os trabalhos têm de ser todos realizados por pessoas devidamente qualificadas!
- Manter pessoas insuficientemente qualificadas afastadas da área de trabalho!

Só são admitidas pessoas, das quais se espera que possam cumprir eficazmente estes trabalhos. Não são permitidas pessoas, cuja capacidade de reação está influenciada p. ex. por drogas, álcool ou outros medicamentos.

Este manual designa as diferentes tarefas para as qualificações das pessoas a seguir apresentadas:

ENGENHEIRO DA TECNOLOGIA DO GÁS

Possui formação especializada, competências, experiência e conhecimentos sobre as normas e as diretivas relevantes, para poderem realizar trabalhos em sistemas de regulação de pressão e reconhecer potenciais riscos. Os engenheiros da tecnologia do gás têm uma formação especial relativa à produção em questão e respetivos padrões e diretivas específicas.

TÉCNICO

Possui formação especializada, competências, experiência e conhecimentos sobre as normas e as diretivas relevantes, para poderem realizar trabalhos em sistemas de regulação de pressão e reconhecer potenciais riscos.

2.4.2. PESSOAS NÃO AUTORIZADAS



AVISO!

- **Perigo de vida para pessoas não autorizadas por perigos na área de trabalho e de perigos!**
- As pessoas não autorizadas, que não cumprem os requisitos aqui descritos, não conhecem os perigos na área de trabalho. Por isso, correm risco de ferimentos graves que podem ser fatais.
- Manter as pessoas não autorizadas afastadas da área de trabalho e de perigo!
- Em caso de dúvida, fale com as pessoas e peça-lhes para saírem da área de trabalho e de perigo!
- Interromper os trabalhos, enquanto houver pessoas não autorizadas na área de trabalho e de perigo!

2.4.3. INSTRUÇÕES

O proprietário tem de instruir regularmente o pessoal. Para poder acompanhar melhor, deve criar um protocolo de instruções com os seguintes conteúdos mínimos:

- Data da instrução
- Nome da pessoa instruída
- Conteúdos da instrução
- Nome do instrutor
- Assinaturas do instrutor e da pessoa instruída

2.5. EQUIPAMENTO DE PROTEÇÃO INDIVIDUAL

O equipamento de proteção individual serve para proteger a segurança e a saúde das pessoas no trabalho.

O pessoal tem de usar um equipamento de proteção quando estiver a realizar diferentes trabalhos no e com o aparelho, sendo que as diversas secções neste manual remetem para isso.

PROTEÇÃO RESPIRATÓRIA, AUTÓNOMA



Proteção contra gases, vapores, poeiras e outras substâncias nocivas.

As proteções respiratórias, tais como proteção respiratória a ar comprimido, têm de ser usadas quando não se consegue garantir um teor de oxigénio superior a 17% no ar e/ou quando não se pode excluir que os valores limites permitidos de substâncias poluentes no ar sejam excedidos.

As proteções respiratórias autónomas só podem ser usadas por pessoal especialmente formado.

PROTEÇÃO RESPIRATÓRIA, AUTÓNOMA



Proteção contra gases, vapores, poeiras e outras substâncias nocivas.

Devem ser usadas proteções respiratórias não autónomas, quando não se puder excluir que sejam excedidos os valores limite permitidos de substâncias poluentes no ar.

As proteções respiratórias não autónomas só podem ser usadas quando se garante um teor de oxigénio acima dos 17% no ar.

ÓCULOS DE PROTEÇÃO



Proteção contra queda de peças e gotas.

LUVAS, RESISTENTES A QUÍMICOS



Proteção das mãos contra substâncias agressivas. As luvas devem ser estanques. Depois de usadas, devem ser eliminadas.

LUVAS DE PROTEÇÃO



Proteção das mãos contra influências mecânicas e superfícies quentes e frias.



USAR PROTEÇÃO AUDITIVA

Protege a audição contra ruídos demasiado fortes e previne traumas auditivos.

2.6. COMPORTAMENTO EM CASO DE INCÊNDIO E ACIDENTES

MEDIDAS PREVENTIVAS

- Estar sempre preparado para fogos e acidentes!
- Ter os Primeiros-Socorros (caixa de primeiros-socorros, mantas, etc.) e os extintores sempre funcionais e acessíveis.
- Familiarizar o pessoal com os equipamentos de comunicação de acidente, de Primeiros-Socorros e de salvamento.
- Manter as vias de acesso livres para os veículos de emergência.

MEDIDAS EM CASO DE INCÊNDIO E ACIDENTES

- Sem colocar em perigo a própria saúde, retirar as pessoas da zona de perigo.
- Se necessário, dê início às medidas de Primeiros-Socorros.
- Chamar os bombeiros e/ou ambulância.
- Em caso de incêndio: Sem colocar em perigo a própria saúde, combater o fogo com extintores até chegarem os bombeiros.
- Informar o responsável no local.
- Manter as vias de acesso livres para os veículos de emergência.
- Indicar o caminho às ambulâncias.

2.7. INDICAÇÃO SOBRE PROTEÇÃO



AMBIENTAL!

- **Perigo para o ambiente devido a manuseamento errado de substâncias poluentes!**
- Se as substâncias poluentes forem erradamente manuseadas, sobretudo se forem mal eliminadas, isso pode ter danos elevados para o ambiente.
- Observar sempre as indicações abaixo mencionadas sobre o manuseamento de substâncias poluentes e respetiva eliminação!
- Se entrarem acidentalmente substâncias poluentes para o ambiente, devem ser tomadas medidas imediatas. Em caso de dúvida, deve informar a autoridade municipal competente sobre o dano e solicitar medidas adequadas!

PT

2.8. PLACAS



AVISO!

- **Perigo por placas ilegíveis!**
- Ao longo do tempo, os autocolantes e as placas podem ficar sujas ou ilegíveis por outras razões, de modo a não se poderem reconhecer os perigos e respeitar as necessárias indicações.
- Isso pode causar ferimentos.
- Manter todas as indicações de segurança, de aviso e de operação em bom estado legível.
- Placas ou autocolantes danificados devem ser imediatamente substituídos.

2.8.1. SINAL DE OBRIGAÇÃO

- Sem sinal

2.8.2. SINAL DE PROIBIÇÃO

- Sem sinal

2.8.3. SINAL DE AVISO



AVISO GARRAFAS DE AGÁS



AVISO ATMOSFERA
POTENCIALMENTE EXPLOSIVA

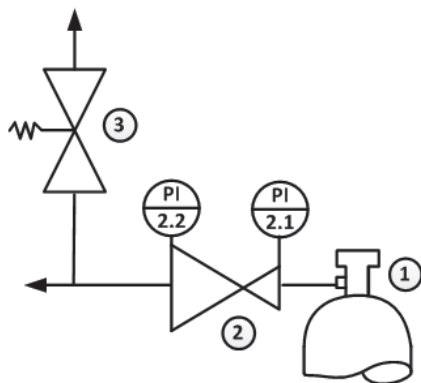


AVISO SUBSTÂNCIAS
CORROSIVAS E/OU TÓXICAS

3. DADOS TÉCNICOS

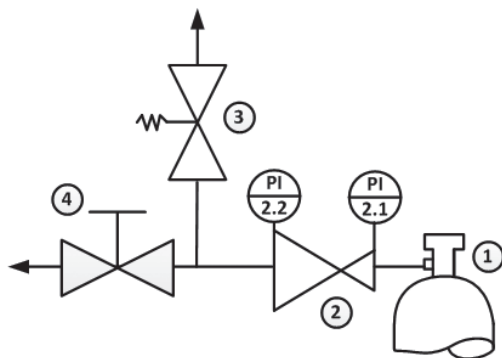
3.1. FLUXOGRAMA – VERSÃO DE UM ESTÁGIO

C12HV/1



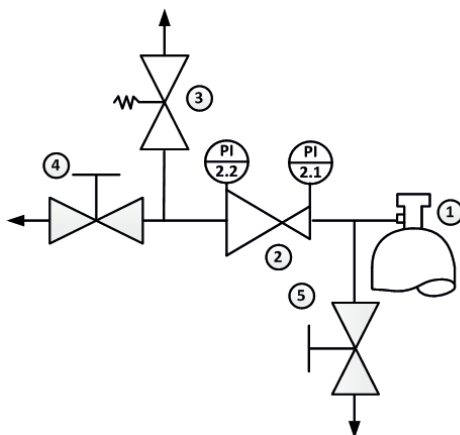
- 1 – GARRAFA DE GÁS
- 2 – REGULADOR DE PRESSÃO
- 3 – VÁLVULA DE RESPIRO

C12HV/1 A



- 1 – GARRAFA DE GÁS
- 2 – REGULADOR DE PRESSÃO
- 3 – VÁLVULA DE RESPIRO
- 4 – VÁLVULA DE CORTE

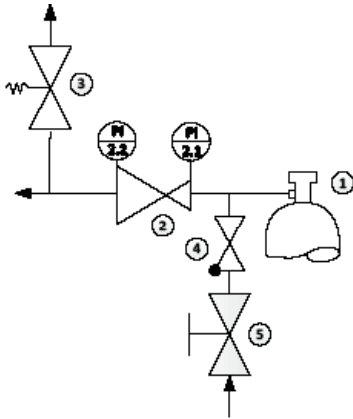
C12HV/1 B



- 1 – GARRAFA DE GÁS
- 2 – REGULADOR DE PRESSÃO
- 3 – VÁLVULA DE RESPIRO
- 4 – VÁLVULA DE REGULAÇÃO
- 5 – VÁLVULA DE PURGA

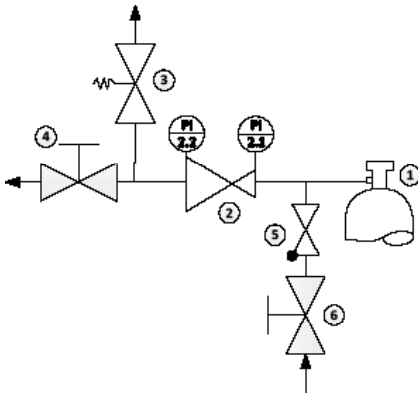
PT

C12HV/1 TP



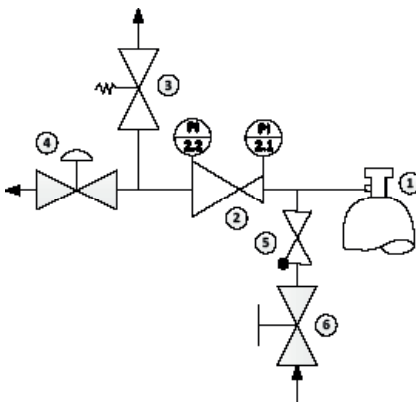
- 1 – GARRAFA DE GÁS
- 2 – REGULADOR DE PRESSÃO
- 3 – VÁLVULA DE RESPIRO
- 4 – VÁLVULA ANTI-RETORNO
- 5 – VÁLVULA DE PURGA DE GÁS EXTERNO

C12HV/ TPA



- 1 – GARRAFA DE GÁS
- 2 – REGULADOR DE PRESSÃO
- 3 – VÁLVULA DE RESPIRO
- 4 – VÁLVULA DE CORTE
- 5 – VÁLVULA ANTI-RETORNO
- 6 – VÁLVULA DE PURGA DE GÁS EXTERNO

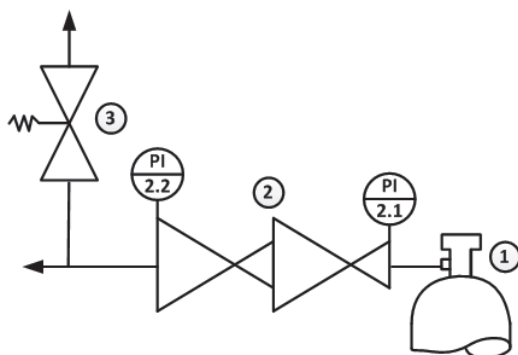
C12HV/ TPB



- 1 – GARRAFA DE GÁS
- 2 – REGULADOR DE PRESSÃO
- 3 – VÁLVULA DE RESPIRO
- 4 – VÁLVULA DE REGULAÇÃO
- 5 – VÁLVULA ANTI-RETORNO
- 6 – VÁLVULA DE PURGA DE GÁS EXTERNO

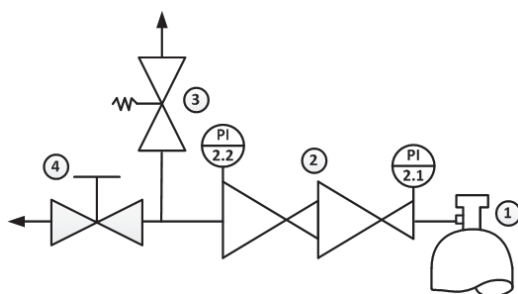
3.2. XOGRAMA – VERSÃO DE DOIS ESTÁGIOS

C200HV/2



- 1 – GARRAFA DE GÁS
- 2 – REGULADOR DE PRESSÃO
- 3 – VÁLVULA DE RESPIRO

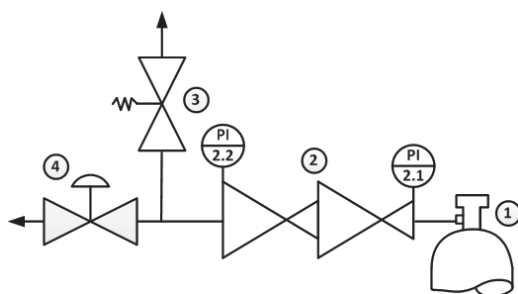
C200HV/2 A



- 1 – GARRAFA DE GÁS
- 2 – REGULADOR DE PRESSÃO
- 3 – VÁLVULA DE RESPIRO
- 4 – VÁLVULA DE CORTE

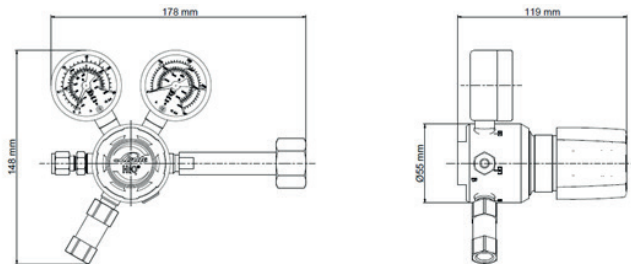
PT

C200HV/2 B

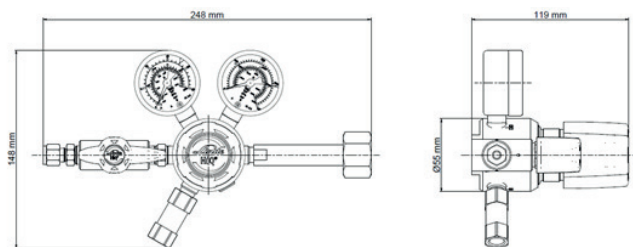


- 1 – GARRAFA DE GÁS
- 2 – REGULADOR DE PRESSÃO
- 3 – VÁLVULA DE RESPIRO
- 4 – VÁLVULA DE REGULAÇÃO

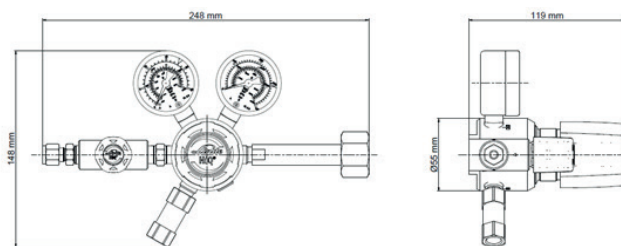
3.3. FOLHA DE DIMENSÕES DE UM ESTÁGIO



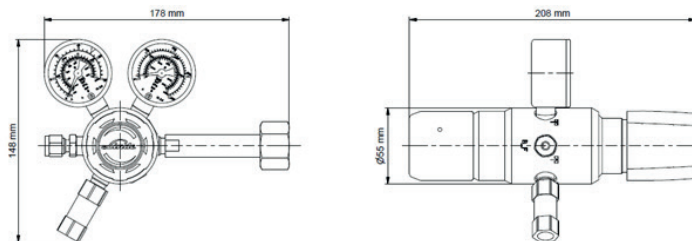
VERSÃO A | DE UM ESTÁGIO



VERSÃO B | DE UM ESTÁGIO

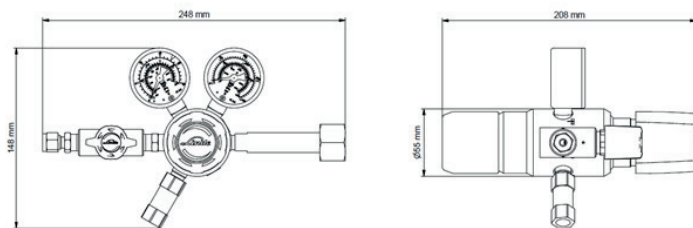


DE DOIS ESTÁGIOS

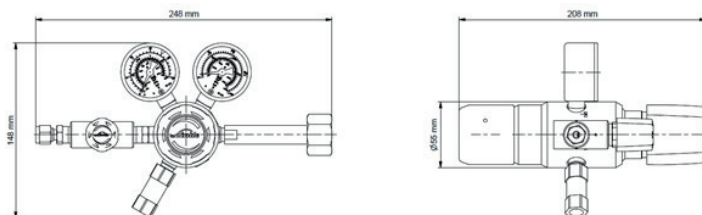


PT

VERSÃO A | DE DOIS ESTÁGIOS

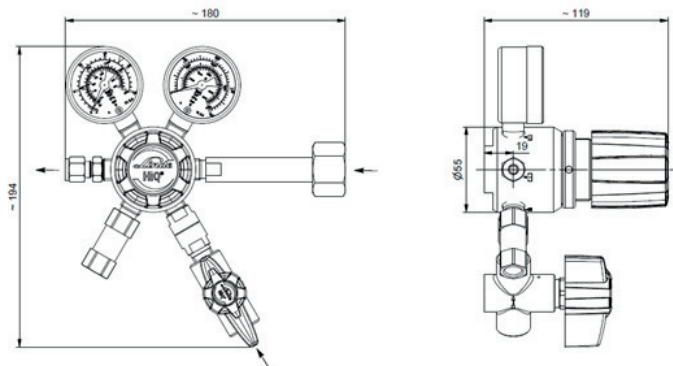


VERSÃO B | DE DOIS ESTÁGIOS

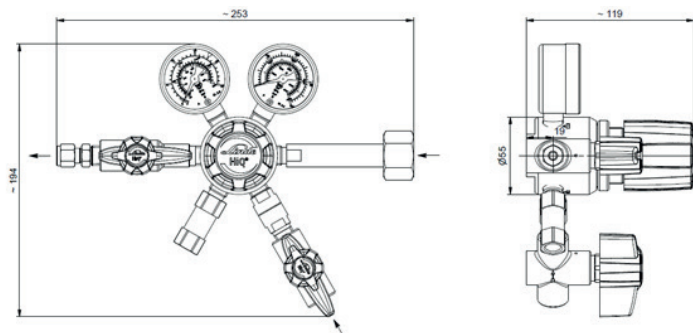


PT

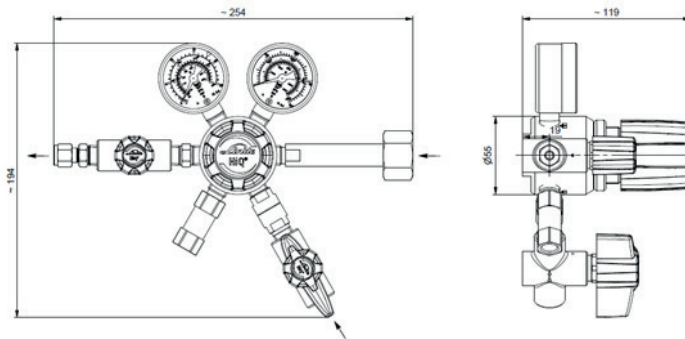
VERSÃO TP | DE UM ESTÁGIO



VERSÃO TPA | DE UM ESTÁGIO



VERSÃO TPB | DE UM ESTÁGIO



3.4. INFORMAÇÕES GERAIS

Dados	Estágio Único Latão Cromado	Estágio duplo Latão Cromado	Estágio Único Inoxidável Aço	Estágio duplo Inoxidável Aço
Máx. peso [kg]	2,5	3,3	4,04	4,93
Comprimento [mm]	223	223	263	263
Largura [mm]	114	202	114	202
Altura [mm]	168	168	168	168

PT

3.5. VALORES DE LIGAÇÃO

Dados	Valor	Unidade
Entrada	DIN477 AFNOR BS CGA Etc.	Ligações da garrafa
Saída	1/8", 1/4", 3/8", 1/2" 3, 6, 8, 10, 12 4,8; 6,4; 8,0	Anel de aperto polegada Anel de aperto mm Terminal de mangueira mm (max. 15 bar)
Válvula de respiro	1/4"	Anéis de aperto polegada

3.6. VALORES DE POTÊNCIA

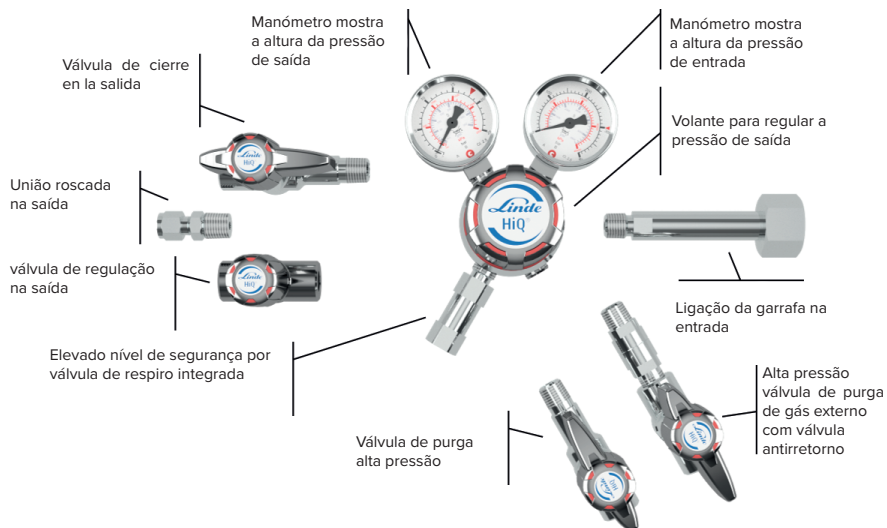
Dados	Valor	Unidade
Fluxo nominal (ISO 2503)	20 (Air)	m ³ /h
Pressão de entrada (máx.)	C12hv - 12 bar C200hv - 200 bar	bar
Pressão de saída (máx.)	200 (Ar comprimido)	bar

3.7. CONDIÇÕES DE FUNCIONAMENTO AMBIENTE

Dados	Valor	Unidade
Faixa de temperatura	-20 till +60	°C
Relativa humidade do ar (máx.)	98	%

4. ESTRUTURA E FUNCIONAMENTO

4.1. VERSÃO LATÃO CROMADO



PT

4.2. BREVE DESCRIÇÃO

O regulador de pressão de garrafas é operado manualmente através do volante. A pressão de entrada e de saída podem ser lidas no manómetro de entrada e de saída respetivamente. Do manuseamento fazem partes diferentes componentes adicionais:

- Válvula de corte na saída para bloquear a pressão de saída.
- Válvula de regulação na saída para regular a pressão de saída.
- Válvula de purga de gás externo com válvula antirretorno para purgar o lado da pressão alto de entrada.

5. TRANSPORTE, EMBALAGEM E ARMAZENAMENTO



DICAS E RECOMENDAÇÕES!

- A instalação e primeira colocação em funcionamento são levadas a cabo preferencialmente por colaboradores do fabricante ou por pessoas por ele autorizadas.
- Porém, é possível que no âmbito da instalação e restante utilização sejam incumbidos operadores ou pessoal de manutenção do proprietário com o manuseamento das embalagens. É imperativo observar as indicações a seguir descritas.

5.1. INDICAÇÕES DE SEGURANÇA PARA A NOTA DE TRANSPORTE!



NOTA!

- **Danos materiais por transporte incorreto!**
- No caso de transporte incorreto, as embalagens podem tombar ou cair. Isso pode causar danos materiais significativos.
- Deve proceder-se com cuidado ao descarregar as embalagens de transporte quando chegam e no transporte interno e respeitar os símbolos e indicações na embalagem. Usar somente os pontos de fixação previstos.
- Remover as embalagens somente pouco antes da montagem.

5.2. INSPEÇÃO NO TRANSPORTE

Verificar o fornecimento no ato de entrega para se certificar que está completa e não apresenta danos de transporte. Se forem detetados danos de transporte, deve proceder assim:

- Não aceitar o fornecimento ou aceitar com reserva.
- Registrar os danos nos documentos de transporte e na nota de entrega da transportadora.
- Fazer uma reclamação.



DICAS E RECOMENDAÇÕES!

- Reclamar as falhas assim que forem detetadas. Os danos só podem ser reclamados dentro do prazo da garantia.

5.3. EMBALAGEM

Cada uma das embalagens está empacotada de acordo com as condições de transporte esperadas. Foram unicamente usados materiais ecológicos na embalagem.

A embalagem deve proteger cada componente até à montagem contra danos de transporte, corrosão e outros danos. Por isso, não deve destruir a embalagem, que deverá ser removida apenas pouco antes da montagem.



NOTA!

- **Perigo para o ambiente por eliminação errada!**
- Os materiais de embalagem são matéria-prima valiosa que pode continuar a ser usada, preparada e reutilizada em outras situações. Uma eliminação errada dos materiais de embalagem pode causar perigos para o ambiente.
- Eliminar os materiais de embalagem sem prejudicar o ambiente.
- Observar os regulamentos locais relativamente à eliminação. Se necessário, incumbir uma empresa especializada com a eliminação.

PT

5.4. ARMAZENAMENTO

Guardar embalagens nas seguintes condições:

- Não guardar ao ar livre.
- Guardar em local seco e sem pó.
- Não expor a meios agressivos.
- Proteger da radiação solar.
- Evitar vibrações mecânicas.
- Temperatura de armazenamento: 15 até 35 °C.
- Relativa humidade do ar: máx. 60 %.
- No caso de armazenamento superior a 3 meses, deve controlar regularmente o estado geral de todas as peças e da embalagem. Se necessário, atualizar a conservação ou até substituir.



DICAS E RECOMENDAÇÕES!

- As embalagens poderão ter indicações sobre o armazenamento, que vão para além dos requisitos aqui mencionados. Estas devem ser respeitadas.

6. INSTALAÇÃO E PRIMEIRA COLOCAÇÃO EM FUNCIONAMENTO

6.1. INDICAÇÕES DE SEGURANÇA FÜR DIE INSTALAÇÃO E PRIMEIRA COLOCAÇÃO EM FUNCIONAMENTO

PESSOAL

A instalação e primeira colocação em funcionamento só podem ser levadas a cabo por pessoal qualificado.

6.2. PREPARAÇÕES

DESEMBALAR

- Os componentes têm de ser desembalados com cuidado e prudência.
- Remover também os materiais de embalagem extra.
- Analisar todos os componentes quanto a eventuais danos de transporte.

ALIVIAR

- Aliviar a pressão do gás em sistemas eventualmente existentes, e enxaguar com gás inerte, se necessário
- Separar a tubagem em sistemas eventualmente existentes com ferramenta especial, evitando aparas
- Prestar atenção ao estado perfeito e pureza das peças de ligação

6.3. INSTALAÇÃO

Utilizar apenas redutores de pressão com ligação de cilindro em conformidade com os gases utilizados e as diretrizes nacionais e internacionais (DIN477, CGA, AFNOR, etc.).



AVISO!

- A rosca da válvula da garrafa e a porca de capa devem estar em perfeito estado.



AVISO!

- Usar sempre somente vedações novas. As vedações não podem estar deformadas nem apresentar marcas de sujidade ou de aparas metálicas.
- Não é permitido usar várias vedações num ponto de vedação. As vedações usadas devem ser retiradas.



AVISO!

- Não usar extensões de chaves, senão a rosca e a vedação podem ser destruídas.
- Isso pode causar fugas, saída descontrolada de gás ou libertação total de reserva de gás.
- As vedações usadas devem ser retiradas.



AVISO!

- Ao ligar ou trocar as garrafas com gases tóxicos ou corrosivos, devem ser usadas correspondentes proteções pessoais (proteção respiratória, proteção ocular e roupa de proteção).
- Observar os valores MAK (ver regras técnicas para substâncias perigosas, TGRS 900), preparar os filtros de proteção respiratório corretos. Usar unicamente reguladores de pressão de garrafas com dispositivo de purga.



CUIDADO!

- Antes de liar, deve recorrer à placa de características para verificar a adequação da presente válvula para esta finalidade.

6.3.1. PREPARAÇÃO

Só podem ser usados reguladores de pressão com ligações de garrafa da respetiva norma (DIN477, CGA, AFNOR, etc.) de acordo com o tipo de gás aplicado.

6.3.2. LIGAR A GARRAFA DE GÁS

Inserir vedações de acordo com a respetiva ligação da garrafa e o tipo de gás. Enroscar primeiramente à mão a porca de capa na ligação da válvula na garrafa.

Observar a rosca à direita e à esquerda!

Colocar o regulador de pressão – não dobrar!

Apertar a porca de capa com a chave de boca adequada. Atenção, não usar extensões de chaves, senão a rosca e a vedação podem ser destruídas. Isso pode causar fugas e a saída descontrolada da reserva de gás (perda total de gás!).

Nas ligações de garrafa com ligação à manual, deve apertar a porca de capa à mão.

Atenção, não usar nenhuma chave, senão pode destruir a área da pega.



As tubagens de ligação são normalmente montadas com uniões roscadas de anel de aperto. Começa-se por remover as tampas das ligações. A montagem é realizada através da inserção completa da tubagem na união roscada do anel de aperto. Depois deve aparafusar à mão a porca de capa e apertar bem com uma chave de boca (primeira instalação 1 1/4 voltas para tubagens superiores a 1/8 polegadas e 3/4 voltas para tubagens com 1/8 polegada ou inferiores, nova instalação 1/4 voltas para todas as tubagens). A tubagem de respiro é ligada à válvula de respiro do mesmo modo.

Observe as indicações do fabricante, bem como a adequação dos materiais para determinados gases e áreas de pressão.

O regulador de pressão de garrafas pode ser obtido com uma pressão máxima de saída de 15 bar com terminal de mangueira.

A forma cônica do terminal permite encaixar facilmente a mangueira.

Tipo TP, TPA, TPB, com válvula de purga gás externo

Nos reguladores de pressão de garrafas com válvula de purga de gás externo (TP, TPA, TPB), tem ainda de ligar uma tubagem de ligação para o gás externo, conforme descrito acima.

6.4. CONDIÇÕES PARA A PRIMEIRA COLOCAÇÃO EM FUNCIONAMENTO

- Estão presentes os protocolos de controlo dos sistemas de tubagem relativamente à estanquidade, e se necessário também o da humidade e das partículas.
- As mangueiras de gás de processo, as mangueiras de purga e ventilação, as válvulas de segurança e as mangueiras das válvulas de retenção, se existirem, devem ser ligadas
- Na tubagem de gás de processo só existe gás padrão. (ver ponto 1.2)
- A colocação em funcionamento só pode ser efetuada por técnicos instruídos.
- Deve ser usada roupa de proteção adequada, de acordo com os regulamentos.
- Utilizar apenas ferramentas que não sejam de fagulhas e tê-las prontas antes da instalação
- Verifique, antes da primeira colocação em funcionamento, mediante a placa de características, se o presente redutor de pressão das garrafas é adequado à finalidade prevista (gás, pressão, material, etc.)
- Se usar gases corrosivos e tóxicos e o redutor da pressão das garrafas em aço inoxidável versão TP,
- TPA, TPB, EP, EPA, e/ou EPB, deve purgar gás inerte, antes da colocação em funcionamento, com purga de gás externo (ver ponto 6.5.2).

6.5. PRIMEIRA COLOCAÇÃO EM FUNCIONAMENTO

- Estão cumpridas todas as condições conforme o ponto 6.4
- O regulador de pressão de garrafas está aliviado (fechado), ou seja, o volante está totalmente rodado para fora (para a esquerda)
- Se usar um gás corrosivo e/ou tóxico e a versão inoxidável TP, TPA, TPB do regulador de pressão de garrafas deve purgar gás inerte, antes da primeira colocação em funcionamento (ver ponto 6.5.2).



AVISO!

- Deve certificar-se que o regulador de pressão de garrafas não é pressurizado acima da pressão de serviço permitida.

6.5.1. ENCHIMENTO DE GÁS DE PROCESSO NA RESPECTIVA TUBAGEM

Ajustar a pressão de saída pretendida, rodando lentamente o volante do regulador de pressão no sentido dos ponteiros do relógio. O regulador de pressão de garrafas está agora em funcionamento. Recomenda-se controlar regularmente todos os dias o regulador de pressão e verificar as pressões.

6.5.2. TROCA DE GARRAFA

Quando se usa um gás corrosivo e/ou tóxico e a versão inoxidável **TP, TPA, TPB** do regulador de pressão de garrafas, deve purgar com gás inerte antes de trocar a garrafa (ver ponto 6.5.2).



NOTA!

Usar um gás de descarga seco e limpo para descarregar gás inerte na purga de gás externo. Recomendamos uma pureza de gás correspondente ao uso.



AVISO!

- Ao trocar as garrafas com gases tóxicos ou corrosivos, devem ser usadas correspondentes proteções pessoais (proteção respiratória, proteção ocular e roupa de proteção. Observar os valores
- MAK (ver regras técnicas para substâncias perigosas, TGRS 900), preparar os filtros de proteção respiratório corretos.



PERIGO!

- Se foram retirados gases tóxicos e/ou corrosivos da garrafa de gás comprimido, deve descarregar gás inerte pelo aparelho pressurizado antes de trocar a garrafa vazia (purga de gás externo). Desse modo, elimina-se o restante gás residual que se encontra no sistema através da tubagem de purga de gases.

PT

PREPARAÇÃO

1. Fechar bem a válvula da garrafa de gás
2. Esvaziar completamente o regulador de pressão, os ponteiros do manómetro da pressão da entrada e de saída devem estar ambos em "0"
3. Rodar o volante do regulador de pressão até encostar no sentido contrário dos ponteiros do relógio, regulador de pressão fechado
4. Fechar a válvula de corte de saída ou de regulação, se existir
5. Nas versões **P, TP, TPA, TPB** deve realizar primeiro o processo de purga ou descarga

PURGA DO GÁS EXTERNO

Processo de purga nos reguladores da pressão de garrafas com a válvula de purga de gás externo no lado de alta pressão (TP, TPA, TPB)

A Verificar se a entrada dos gases de descarta e a saída do processo estão bem ligadas

B Fechar todas as válvulas

C Fechar o regulador de pressão, rodando o volante no sentido contrário dos ponteiros do relógio

D Abrir a válvula de purga de gás externo

E Fechar a válvula de purga de gás externo

F Abrir brevemente o regulador de pressão e a válvula de corte ou regulação de saída e deixar escapar o gás de purga pela saída do regulador da pressão de garrafas

F Fechar o regulador da pressão de garrafas e a válvula de corte ou regulação de saída

Repetir até dez vezes os passos D – G para um resultado de purga perfeito.

6. Soltar a porca de capa na garrafa de gás com chave de parafusos. Numa ligação de garrafa com ligação manual, soltar a porca de capa à mão.
7. Ligar as novas garrafas conforme descrito acima (ponto 6.3.1).

6.5.3. COLOCAR FORA DE SERVIÇO

Quando se usa um gás corrosivo e/ou tóxico e a versão inoxidável **TP**, **TPA**, **TPB** do regulador de pressão de garrafas, deve purgar com gás inerte antes de colocar fora de serviço (ver ponto 6.5.2).



CUIDADO!

- Observar de modo geral durante a desmontagem: Aliviar os reguladores de pressão e as tubagens, desviando os gases pelo consumidor, os ponteiros do manómetro da pressão anterior e posterior devem estar totalmente em "0".
- No caso de gases corrosivos ou tóxicos, purgar todos os componentes com gás inerte.
- Tomar correspondentes medidas de proteção pessoal (proteção respiratória, proteção ocular e roupa de proteção).
- Observar os valores MAK (ver regras técnicas para substâncias perigosas, TGRS 900), preparar os filtros de proteção respiratório corretos
 1. Fechar bem a válvula da garrafa de gás
 2. Esvaziar completamente o regulador de pressão, os ponteiros do manómetro da pressão da entrada e de saída devem estar ambos em "0"
 3. Rodar o volante do regulador de pressão até encostar no sentido contrário dos ponteiros do relógio, regulador de pressão fechado
 4. Fechar a válvula de corte de saída ou de regulação, se existir
 5. Nas versões **TP**, **TPA**, **TPB**, começar por realizar um processo de purga ou descarga (ver ponto 6.5.2)
 - Fechar o regulador da pressão de garrafas, rodando o volante do regulador de pressão no sentido contrário dos ponteiros.
 - Aliviar tubagem!
 - O regulador de pressão de garrafas está agora fora de serviço. Podem ser realizados trabalhos de reparação e de manutenção.

6.6. CONTROLOS

- Após a pressurização, verifique o funcionamento do regulador de pressão.
- Verificar a estanquidade da válvula de respiro.

PT

7. OPERAÇÃO

A operação do regulador de pressão de garrafas está definida para gases padrão, conforme o capítulo 2.1.



CUIDADO!

- As válvulas manuais devem ser sempre abertas devagar e com cuidado, para evitar picos de pressão no sistema e proteger outros componentes.

Para uma curta interrupção da extracção do gás, basta fechar a válvula de corte ou de controlo no regulador. Para interrupções mais longas, o regulador deve ser despressurizado rodando o volante no sentido contrário ao dos ponteiros do relógio. Por razões de segurança, fechar a válvula do cilindro.

8. MANUTENÇÃO

8.1. INDICAÇÕES DE SEGURANÇA PARA A MANUTENÇÃO



NOTA!

- Os trabalhos de manutenção têm de ser realizados por pessoal formado e autorizado. (ver capítulo 2.4).

8.2. PLANO DE MANUTENÇÃO

As próximas secções descrevem os trabalhos de manutenção necessários a uma operação otimizada e sem problemas do aparelho.

Se, nos controlos regulares, for detetado um desgaste maior, deverá reduzir-se os intervalos de manutenção necessários de acordo com os verdadeiros indícios de desgaste.

**NOTA!**

- Se tiver dúvidas sobre os trabalhos e intervalos de manutenção, entre em contacto com o Apoio ao Cliente.

Intervalo	Trabalho de manutenção	Pessoal
Semanal	Todos os componentes verificar visualmente	Pessoa responsável (TRBS 1203)
Realizar uma vez por ano	O controlo de funcionamento e de estanquidade, verificação de todas as peças relevantes à segurança	Pessoa responsável (TRBS 1203)
A cada 10 anos	Fazer uma revisão geral e substituir todas as peças de desgaste	Pessoa responsável (TRBS 1203)

8.3. TRABALHOS DE MANUTENÇÃO**8.3.1. LIMPEZA****NOTA!**

- Os produtos e limpeza devem ser compatíveis com os materiais, com os quais entram em contacto.

8.3.2. CONDIÇÕES DA MANUTENÇÃO

ANTES DA MANUTENÇÃO DEVE CERTIFICAR-SE QUE

- O abastecimento de gás está interrompido e bloqueado.
- A estação de alívio está despressurizada.
- O regulador de pressão está aliviado.
- A válvula está fechada.
- Não se encontra nenhum gás de processo no sistema.
- O sistema foi purgado com gás inerte.

8.3.3. NECESSÁRIO SERVIÇO DE MANUTENÇÃO

- Verificação e precisão de indicação do valor nas indicações de pressão.
- Estação de alívio, regulador de pressão, válvulas e indicações de pressão: Verificar o estado quanto ao funcionamento, estado e identificação.
- Verificação da identificação.
- Verificação quanto a corrosão.
- Verificação do funcionamento.
- Verificação da estanquidade com pressão de serviço simples durante mais de 12 horas.
- Trocar imediatamente componentes gastos e avariados, serviço este que deve ser levado a cabo por uma empresa especializada e autorizada.
- A conceção das válvulas está de acordo com ISO 10297. Inclui um teste de tipo, no qual a válvula foi sujeita a um teste de vida útil de até 2000 ciclos. Após 2000 ciclos, trocar as peças interiores que entram em contacto com o fluido, serviço este que deve ser levado a cabo por uma empresa especializada e autorizada.
- Se forem detetadas fugas ou corrosão excessiva nas estações de alívio/regulador de pressão ou na válvula, devem ser trocadas completamente por uma empresa especializada autorizada entre a união mais próxima que se desfaz.
- Depois de trocar os componentes ou módulos de tubagem, deve realizar de novo um teste de pressão e registar.

8.4. MEDIDAS APÓS MANUTENÇÃO

CONCLUÍDOS OS TRABALHOS DE MANUTENÇÃO E ANTES DE VOLTAR A COLOCAR EM FUNCIONAMENTO A ESTAÇÃO DE ALÍVIO, O REGULADOR DE PRESSÃO OU A VÁLVULA, DEVE EXECUTAR OS SEGUINTESS PASSOS:

1. Certificar-se que todas as ferramentas, materiais e outros equipamentos utilizados foram removidos da área de trabalho.
2. Limpar a área de trabalho e remover substâncias que tenham eventualmente saído, como líquidos, material de embalagem ou idêntico.
3. Certificar-se que os dispositivos de segurança do sistema estão todos a funcionar perfeitamente.

9. AVARIAS

O seguinte capítulo apresenta possíveis causas de avarias e os trabalhos para sua resolução. Se ocorrerem repetidamente avarias, deve encurtar os intervalos de manutenção de acordo com as condições reais. Em caso de avarias que não possam ser resolvidas com as seguintes indicações, entre em contacto com o fabricante.

9.1. INDICAÇÕES DE SEGURANÇA PARA A RESOLUÇÃO DE AVARIAS

No caso de avarias, interrompa o abastecimento de gás, alivie o regulador da pressão e feche as válvulas. Nunca executa os trabalhos de manutenção em componentes sob pressão.

COMPORTAMENTO EM CASO DE AVARIAS:

1. Interromper abastecimento de gás e bloqueá-lo.
2. Aliviar o regulador de pressão, fechar válvulas.
3. Somente pessoal qualificado é que pode resolver as avarias.
4. Restaurar o estado original do aparelho.

Descrição	Causa	Solução	Válvula	Reguladores da pressão de garrafas	Regulador da pressão de tubagem	Estações de alívio
Nenhum fluxo (manómetro de entrada mostra pressão, manómetro de saída não)	Regulador de pressão fechado	Abrir lentamente o regulador de pressão		<input checked="" type="checkbox"/>	<input checked="" type="checkbox"/>	<input checked="" type="checkbox"/>
Fechar válvula de purga 0	Válvula de garrafa fechada Válvula de gás usado fechada Regulador de pressão fechado Espiral/mangueria não conectada	Colocação em funcionamento conforme o ponto 6. Instalação e primeira colocação em funcionamento		<input checked="" type="checkbox"/>	<input checked="" type="checkbox"/>	<input checked="" type="checkbox"/>
Nenhum fluxo	Regulador de pressão fechado	Abrir lentamente o regulador de pressão	<input checked="" type="checkbox"/>			
Subida da pressão posterior e válvula de respiro abre	Fuga no assento do regulador de pressão	Reparação pelo fabricante		<input checked="" type="checkbox"/>	<input checked="" type="checkbox"/>	<input checked="" type="checkbox"/>

PT

Descrição	Causa	Solução	Válvula	Reguladores da pressão de garrafas	Regulador da pressão de tubagem	Estações de alívio
Ligeira subida da pressão posterior e válvula de respiro não abre	Descida da pré-pressão	Nenhum erro, estado normal de funcionamento		<input checked="" type="checkbox"/>	<input checked="" type="checkbox"/>	<input checked="" type="checkbox"/>
Ligeira subida da pressão posterior	Diferença entre pressão do fluxo (com fluxo) e pressão dinâmica (nenhum fluxo)	Nenhum erro, estado normal de funcionamento		<input checked="" type="checkbox"/>	<input checked="" type="checkbox"/>	<input checked="" type="checkbox"/>
Ligeira descida da pressão posterior	Diferença entre pressão dinâmica (nenhum fluxo) e pressão de fluxo (com fluxo)	Nenhum erro, estado normal de funcionamento		<input checked="" type="checkbox"/>	<input checked="" type="checkbox"/>	<input checked="" type="checkbox"/>
Forte descida da pressão posterior	Fluxo necessário para o regulador de pressão demasiado grande	Choose new pressure regulator for required pressure and flow		<input checked="" type="checkbox"/>	<input checked="" type="checkbox"/>	<input checked="" type="checkbox"/>
Forte descida da pressão posterior	Tubagem do gás de processo não estanqu	Escolha de um novo regulador de pressão para a pressão e o fluxo exigidos		<input checked="" type="checkbox"/>	<input checked="" type="checkbox"/>	<input checked="" type="checkbox"/>
Pressão de saída demasiado alta	Ajuste errado do regulador	Adaptar ajuste do regulador de pressão, reajustar, manutenção		<input checked="" type="checkbox"/>	<input checked="" type="checkbox"/>	<input checked="" type="checkbox"/>
A pressão posterior sobe imediatamente até encostar ou a pressão posterior sob lentamente acima do valor ajustado e a válvula de respiro sopra	Sujidade ou danificação do assento "Steiger"	Reparação pelo fabricante		<input checked="" type="checkbox"/>	<input checked="" type="checkbox"/>	<input checked="" type="checkbox"/>

Descrição	Causa	Solução	Válvula	Reguladores da pressão de garrafas	Regulador da pressão de tubagem	Estações de alívio
Ruídos durante a operação	Fluxo necessário para o regulador de pressão demasiado a	Escolha de um novo regulador de pressão para a pressão e o fluxo exigidos		<input checked="" type="checkbox"/>	<input checked="" type="checkbox"/>	<input checked="" type="checkbox"/>
Nenhuma alteração do comando da válvula, apesar de rodar o volante	Volante avariado devido a binário demasiado alto, fuso avariado, rosca avariada	Reparação pelo fabricante	<input checked="" type="checkbox"/>	<input checked="" type="checkbox"/>	<input checked="" type="checkbox"/>	<input checked="" type="checkbox"/>
Humidade no regulador de pressão (SEM orvalho, chuva ou neve)	O regulador de pressão vai buscar energia ao ambiente por alívio de gás	Nenhum erro estado normal de funcionamento		<input checked="" type="checkbox"/>	<input checked="" type="checkbox"/>	<input checked="" type="checkbox"/>
Formação de gelo no regulador de pressão (SEM orvalho, chuva ou neve)	O regulador de pressão vai buscar energia ao ambiente por alívio de gás, fornecimento limitado dos reservatórios de gás de pressão p. ex. em N ₂ O, CO ₂	Nenhum erro Estado normal de funcionamento ATENÇÃO: Prestar atenção à funcionalidade dos manómetros de contacto, aumentar o número dos reservatórios de gás de pressão		<input checked="" type="checkbox"/>	<input checked="" type="checkbox"/>	<input checked="" type="checkbox"/>

PT

Esta tabela pode não estar completa. Se tiver perguntas ou dúvidas, entre em contacto com o fabricante.

10. DESMONTAGEM E ELIMINAÇÃO

Quando o aparelho chega ao fim da sua vida útil, tem de ser desmontado e encaminhado para uma eliminação sem prejuízo para o ambiente.

10.1. INDICAÇÕES DE SEGURANÇA PARA DESMONTAGEM E ELIMINAÇÃO



AVISO!

- **Perigo de ferimentos em caso de desmontagem errada!**
- As energias residuais acumuladas, os componentes pontiagudos, pontas e cantos no aparelho ou as ferramentas necessárias podem causar ferimentos.
- Antes de iniciar os trabalhos, proporcione espaço suficiente.
- Manusear com cuidado os componentes pontiagudos abertos.
- Manter o local de trabalho organizado e limpo!
- Componentes e ferramentas soltos ou espalhados podem originar quedas.
- Desmontar corretamente os componentes. Observar o peso próprio, que por vezes é alto, dos componentes. Se necessário, usar equipamento de elevação.
- Proteger os componentes, para não caírem ou tombarem.
- Em caso de dúvida, entre em contacto com o fabricante.

10.2. DESMONTAGEM

ANTES DE COMEÇAR A DESMONTAGEM

Rodar o volante no sentido contrário dos ponteiros do relógio para fechar o regulador da pressão de garrafas.

Aliviar o regulador de pressão de garrafas e assegurar que não se encontra nenhum gás de processo no interior.

Aliviar o sistema e, se necessário, purgar com gás inerte.

Remover e eliminar de forma ecológica os materiais de serviço e auxiliares, bem como os restos dos materiais de processamento.

De seguida, limpar devidamente os componentes e módulos e decompô-los de acordo com os regulamentos de proteção do trabalho e do ambiente localmente em vigor.



AVISO!

- **Não abrir o sistema, quando ainda contém no seu interior gás corrosivo e/ou tóxico!**

10.3. ELIMINAÇÃO

Se não houver nenhum acordo de devolução ou eliminação, deve encaminhar os componentes decompostos para a reciclagem:

Metais para a sucata.

Reciclar elementos de plástico.

Separar os restantes componentes por natureza do material.

De acordo com o Artigo 33 do Decreto REACH, a sociedade GCE, s.r.o. compromete-se, como fabricante responsável, a informar todos os clientes quando os materiais contêm 0,1% ou mais das substâncias alarmantes que constam da lista (SVHC).

As ligas de latão mais usadas em corpos e outros componentes de latão contêm 2-3% de chumbo (Pb), N.º CE 231-468-6, N.º CAS 7439-92-1. No uso normal, o chumbo não é libertado para o gás nem para o ambiente. No fim da sua vida útil, o produto tem de ser eliminado por uma empresa de reciclagem de metais certificada e aprovada, de modo a garantir uma eliminação eficaz do material com efeitos mínimos para o ambiente e a saúde.

Até hoje não temos informação de que os materiais com concentrações de SVHC contêm mais de 0,1% de produtos GCE.



NOTA!

- ***Perigo para o ambiente por eliminação errada!***
- Uma eliminação errada pode causar perigos para o ambiente.
- A sucata eletrónica, os componentes eletrónicos, lubrificantes e outros materiais auxiliares devem ser eliminados por empresas especializadas autorizadas. Em caso de dúvida, informe-se sobre a eliminação ecológica junto das autoridades municipais locais ou junto de empresas locais especializadas em eliminação.

PT

www.linde.com

Estes artigos foram criados a pedido de Linde.

INHOUD

1. ALGEMEEN	202
1.1. INFORMATIE OVER DEZE HANDLEIDING	202
1.2. INFORMATIE OVER DE FLESDRUKREGELAAR	202
1.3. VERKLARING VAN DE SYMBOLEN	203
1.4. BEPERKING VAN DE AANSPRAKELIJKHEID	204
1.5. AUTEURSRECHTELIJKE BESCHERMING	204
1.6. RESERVEONDERDELEN	204
1.7. GARANTIEVOORWAARDEN	205
1.8. KLANTENSERVICE	205
2. VEILIGHEID	205
2.1. GEBRUIK IN OVEREENSTEMMING MET HET BEOOGDE DOEL	205
2.1.1. STRUCTURELE VERANDERING AAN DE FLESDRUKREGELAAR	205
2.2. BASISGEVAREN	205
2.3. VERANTWOORDELIJKHEID VAN DE EXPLOITANT	207
2.4. VEREISTEN AAN HET PERSONEEL	207
2.4.1. KWALIFICATIES	207
2.4.2. ONBEVOEGDEN	208
2.4.3. INSTRUCTIE	208
2.5. PERSOONLIJKE BESCHERMINGSMIDDELEN	208
2.6. WAT TE DOEN BIJ BRAND OF ONGEVAL	209
2.7. MILIEUBESCHERMING	209
2.8. GEVARENTEKENS	209
2.8.1. GEBODSTEKENS	210
2.8.2. VERBODSTEKENS	210
2.8.3. WAARSCHUWINGSTEKENS	210
3. TECHNISCHE GEGEVENS	211
3.1. STROOMDIAGRAM – EENTRAPS VERSIE	211
3.2. STROOMDIAGRAM – TWEETRAPSVERSIE	213
3.3. AFMETINGEN	214
3.4. ALGEMENE INFORMATIE	216
3.5. AANSLUITINGSWAARDEN	216
3.6. VERMOGENSWAARDEN	216
3.7. BEDRIJFSOMSTANDIGHEDEN OMGEVING	216
4. OPBOUW EN WERKING	217
4.1. MESSING VERCHROOMDE VERSIE	217
4.2. KORTE OMSCHRIJVING	217
5. TRANSPORT, VERPAKKING EN OPSLAG	217
5.1. VEILIGHEIDSAANWIJZINGEN VOOR HET TRANSPORT	217
5.2. TRANSPORT INSPECTIE	218
5.3. VERPAKKING	218
5.4. OPSLAG	218
6. INSTALLATIE EN EERSTE INGEBRUIKNAME	218
6.1. VEILIGHEIDSIINSTRUCTIES VOOR DE INSTALLATIE EN EERSTE INBEDRIJFSTELLING	218
6.2. VOORBEREIDINGEN	218
6.3. INSTALLATIE	219
6.3.1. VOORBEREIDING	219
6.3.2. AANSLUITEN VAN DE GASFLES	219
6.4. VOORWAARDE VOORWAARDEN VOOR EERSTE INBEDRIJFSTELLING	220
6.5. EERSTE INGEBRUIKNAME	220
6.5.1. VULLEN VAN DE PROCESGASLEIDING MET PROCESGAS	221
6.5.2. FLESWISSEL	221
6.5.3. BUITENGEbruIKSTELLING	221
6.6. CONTROLES	222
7. WERKING	222

8. ONDERHOUD	222
8.1. VEILIGHEIDSINSTRUCTIES VOOR HET ONDERHOUD	222
8.2. ONDERHOUDSSHEMA	222
8.3. ONDERHOUDSWERKZAAMHEDEN	223
8.3.1. REINIGING	223
8.3.2. VOORWAARDE VOOR ONDERHOUD	223
8.3.3. NOODZAKELIJKE ONDERHOUDSBEURT	223
8.4. MAATREGELEN NA UITVOERING VAN HET ONDERHOUD	223
9. STORINGEN.....	224
9.1. VEILIGHEIDSINSTRUCTIES VOOR DE PROBLEEMOPLOSSING.....	224
10. DEMONTAGE EN AFVOEREN	226
10.1. VEILIGHEIDSINSTRUCTIES VOOR DE DEMONTAGE EN VERWIJDERING.....	226
10.2. DEMONTAGE.....	226
10.3. VERWIJDERING.....	227

NL

1. ALGEMEEN

1.1. INFORMATIE OVER DEZE HANDLEIDING

Deze handleiding geldt voor een- en tweetraps flesdrukregelaars van het type:

- C12hv
- C200hv

Flesdrukregelaars zijn ontworpen voor directe aansluiting op gasflessen om de flesdruk te verlagen naar lage uitgangsdruk bereiken. De flesaansluitingen hebben verschillende schroefdraad volgens de respectievelijke norm (DIN 477, CGA, AFNOR, enz.), afhankelijk van het soort gas. Graag in acht nemen.

Deze handleiding maakt een veilig en efficiënt gebruik van de flesdrukregelaar mogelijk.

De handleiding maakt deel uit van het apparaat en dient in de onmiddellijke nabijheid van het apparaat te worden bewaard en te allen tijde voor het personeel toegankelijk te zijn. Het personeel moet deze handleiding zorgvuldig gelezen en begrepen hebben alvorens met de werkzaamheden te beginnen. De basisvoorwaarde voor veilig werken is het in acht nemen van alle veiligheidsinstructies en instructies voor acties die in deze handleiding worden gegeven. Bovendien zijn de plaatselijke ongevalpreventievoorschriften en algemene veiligheidsvoorschriften voor het toepassingsgebied van het apparaat van toepassing. De illustraties in deze handleiding zijn bedoeld voor elementair begrip en kunnen afwijken van de werkelijke uitvoering.

1.2. INFORMATIE OVER DE FLESDRUKREGELAAR

Flesdrukregelaars van dit type mogen alleen worden gebruikt voor de gassen die als standaardgas zijn gedefinieerd. De maximale ingangsdruk voor de C12hv is max. 12 bar en voor de C200hv max. 200 bar.

Productlijn	(Zuiverheid 6.0 l messing verchroomd)	(Zuiverheid 6.0 l roestvrij staal)
Met FKM -zitting van de afblaasklep	<ul style="list-style-type: none"> • Bruikbare gassen (inclusief mengsels daarvan): <ul style="list-style-type: none"> • High Purity • Inert • Brandbaar • Brandbevorderend • O₂ • Gassen die NIET kunnen worden gebruikt (inclusief mengsels daarvan): <ul style="list-style-type: none"> • Bijtend • Giftig • CO₂, N₂O 	<ul style="list-style-type: none"> • Bruikbare gassen (inclusief mengsels daarvan): <ul style="list-style-type: none"> • High Purity • Inert • Brandbaar • Brandbevorderend (tot 200 bar) • Bijtend (Bij onduidelijkheid ons raadplegen) • Giftig (Bij onduidelijkheid ons raadplegen) • Geschikt voor O₂ tot 200 bar • Gassen die NIET kunnen worden gebruikt (inclusief mengsels daarvan): <ul style="list-style-type: none"> • O₂ boven 200 bar • CO₂, N₂O • NH₃, SO₂, H₂S

<p>Met EPDM-zitting van de afblaasklep</p>	<ul style="list-style-type: none"> • Bruikbare gassen (inclusief mengsels daarvan): <ul style="list-style-type: none"> • High Purity • Inert • Brandbaar • Brandbevorderend • CO₂, N₂O • Gassen die NIET kunnen worden gebruikt (inclusief mengsels daarvan): <ul style="list-style-type: none"> • Bijtend • Giftig • O₂ (Aandeel groter dan 21%) • Koolwaterstoffen 	<ul style="list-style-type: none"> • Bruikbare gassen (inclusief mengsels daarvan): <ul style="list-style-type: none"> • High Purity • Inert • Brandbaar • Brandbevorderend • Bijtend(Bij onduidelijkheid ons raadplegen) • Giftig (Bij onduidelijkheid ons raadplegen) • CO₂, N₂O • NH₃, SO₂, H₂S • Gassen die NIET kunnen worden gebruikt (inclusief mengsels daarvan): <ul style="list-style-type: none"> • O₂ (Aandeel groter dan 21%) • Koolwaterstoffen
---	--	---

Deze tabel maakt geen aanspraak op volledigheid. Neem bij vragen of onduidelijkheden contact op met de fabrikant.

Er zijn één- of tweetraps flesdrukregelaars met metalen membraan in 6-poorts uitvoering. Vervaardigd en goedgekeurd volgens ISO7291 inclusief zuurstof-burnout-test (zie tabel paragraaf 1.2). De flesdrukregelaar bestaat uit een drukregelaarshuis, inlaat- en uitlaatdrukmeters, een flesaansluiting en een afblaasklep. Het is verkrijgbaar met verschillende aansluitwartels en/of met verschillende extra componenten zoals

- afsluitklep aan de uitgang (A)
- regelklep aan de uitgang (B)
- spoelklep vreemd gas bij de ingang (TP).
- spoelklep vreemd gas aan de ingang en afsluitklep aan de uitgang (TPA), alleen in de roestvrijstalen uitvoering.
- spoelklep vreemd gas aan de ingang en regelklep aan de uitgang (TPB), alleen in de roestvrijstalen uitvoering.

De uitvoeringen **C200/1 TP**, **C200/1 TPA**, **C200/1 TPB**, **C200/2 TP**, **C200/2 TPA** en **C200/2 TPB** laten toe de drukregelaar te spoelen met vreemd gas. Ze zijn daarom bijzonder geschikt voor corrosieve en giftige gassen.

Flessendrukregelaars met spoelmogelijkheid maken het mogelijk de klep te drogen of vochtige atmosferische lucht die eventueel in de drukregelaar is binnengedrongen voor de inbedrijfstelling of bij de fleswissel en de klep vrij te spoelen van giftige, bijtende of zelfontbrandende gassen voor de buitengebruikstelling.

NL

1.3. VERKLARING VAN DE SYMBOLEN

<p>VEILIGHEIDSIN- STRUCTIES</p>	<p>Veiligheidsinstructies worden in deze handleiding aangeduid met symbolen. De veiligheidsinstructies worden ingeleid door signaalwoorden die de omvang van het gevaar uitdrukken.</p>
	<p>GEVAAR!</p> <p>Deze combinatie van symbool en signaalwoord duidt op een onmiddellijke gevaarlijke situatie die, indien zij niet wordt vermeden, zal leiden tot de dood of ernstig letsel.</p>
	<p>WAARSCHUWING!</p> <p>Deze combinatie van symbool en signaalwoord duidt op een mogelijk gevaarlijke situatie die, indien zij niet wordt vermeden, kan leiden tot de dood of ernstig letsel.</p>
	<p>VOORZICHTIG!</p> <p>Deze combinatie van symbool en signaalwoord duidt op een mogelijk gevaarlijke situatie die, indien zij niet wordt vermeden, kan leiden tot een zeer klein of licht letsel.</p>



AANWIJZING!

Deze combinatie van symbool en signaalwoord duidt op een mogelijk gevaarlijke situatie die, indien zij niet wordt vermeden, kan leiden tot materiële schade en schade aan het milieu.



TIPS EN AANBEVELINGEN

Dit symbool markeert nuttige tips en aanbevelingen, evenals informatie voor een efficiënte en probleemloze werking.

BIJZONDERE OPMERKINGEN

Om de aandachtig te vestigen op bijzondere gevaren worden in veiligheidsinstructies de volgende symbolen gebruikt.



GEVAAR!

Deze combinatie van symbool en signaalwoord duidt op een onmiddellijke gevaarlijke situatie door elektriciteit. Het niet in acht nemen van een opmerking met deze markering kan ernstige of zelfs dodelijke verwondingen tot gevolg hebben.

1.4. BEPERKING VAN DE AANSPRAKELIJKHEID

Alle informatie en instructies in deze handleiding zijn opgesteld met inachtneming van de geldende normen en voorschriften, de stand van de techniek en onze jarenlange kennis en ervaring.

In de volgende gevallen aanvaardt de fabrikant geen aansprakelijkheid voor schade:

- Het niet in acht nemen van deze handleiding
- Gebruikt dat afwijkt van het gebruik volgens de voorschriften
- Het inzetten van niet opgeleid personeel
- Het uitvoeren van technische en structurele veranderingen op eigen inzicht
- Het gebruik van niet toegelaten reserveonderdelen
- Het bedienen van het onder druk staande apparaat met defecte veiligheidsvoorzieningen of niet correct geïnstalleerde of niet goed functionerende veiligheids- en beschermingsinrichtingen
- Ontoereikende controle van de uitrustings-, schroef- en afdichtingsonderdelen die aan slijtage onderhevig zijn
- Onjuist uitgevoerde reparaties
- Overschrijding of onderschrijding van het in het informatieblad aangegeven temperatuurbereik tijdens het gebruik of de opslag
- Rampen veroorzaakt door de inwerking van vreemde voorwerpen en overmacht

De daadwerkelijke leveringsomvang kan bij speciale uitvoeringen, bij het gebruik van extra bestelopties of op grond van de nieuwste technische wijzigingen van de hier beschreven uitleg en weergaven afwijken. De in het leveringscontract overeengekomen verplichtingen, de algemene handelsvoorwaarden en de leveringsvoorwaarden van de fabrikant en de op het ogenblik van de afsluiting van het contract geldende wettelijke voorschriften zijn van toepassing.

1.5. AUTEURSRECHTELIJKE BESCHERMING

De inhoud van deze handleiding is auteursrechtelijk beschermd. Het gebruik ervan is toegestaan binnen het toepassingsgebied van het apparaat. Elk gebruik dat verder gaat dan dit, is niet toegestaan zonder schriftelijke toestemming van de fabrikant.

1.6. RESERVEONDERDELEN



WAARSCHUWING!

- Risico op letsel door het gebruik van onjuiste reserveonderdelen!
- Door het gebruik van onjuiste of ondeugdelijke reserveonderdelen kan gevaar ontstaan voor het personeel en kan schade, storingen of totale uitval worden veroorzaakt.
- Enkel originele reserveonderdelen van de fabrikant of door de fabrikant toegelaten reserveonderdelen gebruiken.
- Neem in geval van twijfel altijd contact op met de fabrikant.



GARANTIEVERLIJES

- Bij gebruik van niet-goedgekeurde onderdelen vervalt de garantie van de fabrikant.

1.7. GARANTIEVOORWAARDEN

Als regel zijn onze “algemene verkoop- en leveringsvoorwaarden” van toepassing. Deze staan uiterlijk bij het afsluiten van het contract ter beschikking van de klant.

1.8. KLANTENSERVICE

Wij zijn altijd geïnteresseerd in informatie en ervaringen die voortvloeien uit de toepassing en die waardevol kunnen zijn voor de verbetering van onze producten.

2. VEILIGHEID

In dit hoofdstuk vindt u een overzicht van alle belangrijke veiligheidsaspecten voor de bescherming van personen en voor een veilige en sotringsvrije werking. Verdere taakgerelateerde veiligheidsinstructies staan in de hoofdstukken over de afzonderlijke levensfasen.

2.1. GEBRUIK IN OVEREENSTEMMING MET HET BEOOGDE DOEL

De flesdrukregelaars van het type C12hv en C200hv mogen alleen worden gebruikt voor de gespecificeerde gassen en druk en met inachtneming van de gespecificeerde temperaturen. De nominale volumestroom bedraagt 20 m³/h (perslucht) volgens ISO 2503. Onder gebruik volgens de voorschriften wordt ook verstaan het in acht nemen van alle informatie en aanwijzingen in deze handleiding en het in acht nemen van de inspectie- en onderhoudswerkzaamheden, alsmede het in acht nemen van het typeplaatje en de technische fiches. Elk gebruik dat verder gaat dan het beoogde gebruik of elk ander gebruik wordt beschouwd als verkeerd gebruik.



WAARSCHUWING!

- **Gevaar bij verkeerd gebruik!**
- Verkeerd gebruik van de flesdrukregelaars kan tot gevaarlijke situaties leiden.
- Nooit de flesdrukregelaar als debietregelaar of als afsluitklep gebruiken.
- Gebruik de flesdrukregelaar nooit voor vloeistoffen.

NL

2.1.1. STRUCTURELE VERANDERING AAN DE FLESDRUKREGELAAR

Zonder schriftelijk toestemming van de fabrikant geen wijzigingen, aanpassingen of verbouwingen aan de flesdrukregelaar uitvoeren.

Flessendrukregelaars die niet in perfecte staat zijn, dienen onmiddellijk te worden vervangen.

Reiniging van de gastoeinstellen en verwijdering van de residuen

Gebruikte flesdrukregelaars die gerepareerd dienen te worden, dienen met een inert gas (stikstof) te worden gespoeld.

Opwekking van lawaai

In sommige gevallen kan de ongunstige wisselwerking van bepaalde beïnvloedende variabelen zoals stroming en drukbereik, maar ook de gassoort zelf, leiden tot opwekking van lawaai. Neem contact op met de fabrikant in deze gevallen.

2.2. BASISGEVAREN

In de volgende paragraaf worden de restrisico's opgesomd die aan het toestel verbonden kunnen zijn, zelfs indien het voor het beoogde doel wordt gebruikt.

Om de risico's van persoonlijk letsel en materiële schade te beperken en gevaarlijke situaties te vermijden, dienen de hier vermelde veiligheidsinstructies en de veiligheidsinstructies in de andere paragrafen van deze handleiding in acht te worden genomen.



GEVAAR!

- **Gassen kunnen levensgevaarlijk zijn!**
- Gassen kunnen de lucht verdringen en dus ook de zuurstof die erin zit. Dit kan leiden tot dood door verstikking. Zuurstof vormt een sterk oxidatieve atmosfeer. Ontvlambare gassen kunnen een explosieve atmosfeer vormen.

DAAROM:

- Zorgen voor voldoende ventilatie!
- Installatie alleen door een gecertificeerde professionele firma!
- ATEX-richtlijnen in acht nemen



ATTENTIE!

- **Gevaren die door de omgeving kunnen ontstaan!**
Door condensatie en/of ijsafzetting kunnen defecten aan het apparaat ontstaan.

DAAROM:

- Temperatuurbereik in acht nemen!
- Het apparaat beschermen tegen vloeistoffen van buitenaf!
- Het apparaat beschermen tegen stof van buitenaf!
- Monteren beschermd tegen het weer!
- Bestaande aarding correct aanbrengen!



WAARSCHUWING!

- **Risico op ongevallen bij gebruik van olie en vet!**
Oliën en vetten mogen nooit worden gebruikt in drukregelsystemen. Oliën en vetten zijn zeer ontvlambaar en reageren met bepaalde samengeperste gassen.

DAAROM:

- In geen geval olie en vet gebruiken!

NL



WAARSCHUWING!

- **Gevaar voor ongevallen door in het systeem opgeslagen energie!**
Door een onjuiste behandeling kunnen drukdragende onderdelen of afzonderlijke onderdelen ervan ongecontroleerd gaan bewegen en ernstig of zelfs dodelijk letsel veroorzaken. Door onjuiste behandeling kan gas uit de drukdragende delen ontsnappen en ernstig of zelfs dodelijk letsel veroorzaken.

VOOR HET BEGIN VAN ALLE WERKZAAMHEDEN MET DRUKDRAGENDE ONDERDELEN:

- Installatie alleen door een gecertificeerde professionele firma!
- Veiligheidsbril dragen!
- Gehoorbescherming dragen!
- Ervoor zorgen dat het systeem niet onder druk staat!
- Ervoor zorgen dat er geen energie meer in het systeem is opgeslagen!
- Ervoor zorgen dat er niet onbedoeld gas kan ontsnappen!
- Ervoor zorgen dat defecte onderdelen onmiddellijk door geschoold personeel worden vervangen!



WAARSCHUWING!

- **Risico op ongevallen!**
Onjuiste installatie kan ernstig of zelfs dodelijk letsel veroorzaken.

DAAROM:

- De apparaten tegen omvallen beveiligen tijdens de installatie!
- Niet gooien met apparaten!

Drukdragende onderdelen mogen alleen worden gebruikt voor het beoogde gebruik.

In geval van mechanische schade aan pijpleidingen en kranen dient het systeem in een veilige toestand te worden gebracht (betrokken gedeelte blokkeren).

Storingen die de veiligheid in gevaar kunnen brengen, dienen onmiddellijk door opgeleid en gekwalificeerd personeel of door de fabrikant te worden verholpen.

Vooral bij gassen bestaat het risico van een defect aan de leidingdrukregelaar. Indicatoren hiervoor zijn ofwel geen gasdoorstroming na de drukregelaar ofwel een plotse toename van de tegendruk. Bij een defect aan de drukregelaar dient het systeem onmiddellijk buiten gebruik te worden genomen. Het verantwoordelijke onderhoudsbedrijf moet absoluut worden ingelicht. Nooit afblaasleidingen afsluiten.

2.3. VERANTWOORDELIJKHEID VAN DE EXPLOITANT

EXPLOITANT

De exploitant is de persoon die het toestel zelf bedient voor commerciële of economische doeleinden of het aan een derde overlaat voor gebruik/toepassing en de wettelijke productverantwoordelijkheid draagt voor de bescherming van de gebruiker, het personeel of derden tijdens het gebruik.

PLICHTEN VAN DE EXPLOITANT

Het apparaat wordt in het commerciële bereik ingezet. De exploitant van het apparaat is dus onderworpen aan de wettelijke voorschriften inzake arbeidsveiligheid.

Naast de veiligheidsinstructies in deze handleiding moeten de veiligheids-, ongevallenpreventie- en milieu-beschermingsvoorschriften in acht worden genomen voor het toepassingsgebied van het apparaat.

DAARBIJ GELDT IN HET BIJZONDER HET VOLGENDE:

- De exploitant moet zich op de hoogte stellen van de geldende arbeidsveiligheidsbepalingen en in een gevarenbeoordeling bovendien de gevaren vaststellen die ontstaan door de speciale werkomstandigheden op de plaats van inzet van het apparaat. Hij dient deze om te zetten in de vorm van gebruiksaanwijzingen voor de werking van het apparaat.
- Tijdens de hele gebruiksduur van het apparaat dient de exploitant na te gaan of de door hem of haar opgestelde gebruiksaanwijzingen overeenstemmen met de actuele wet- en regelgeving en dient hij of zij deze zonnodig aan te passen.
- De exploitant moet de verantwoordelijkheden voor de installatie, de bediening, het verhelpen van de storingen, het onderhoud en de reiniging duidelijk regelen en vastleggen.
- De exploitant dient ervoor te zorgen dat alle personen die met het apparaat omgaan deze instructies hebben gelezen en begrepen. Bovendien dient hij of zij het personeel op gezette tijden op te leiden en voor te lichten over de gevaren.
- De exploitant dient het personeel de nodige beschermingsmiddelen ter beschikking te stellen en bindende instructies te geven over het dragen van de vereiste beschermingsmiddelen.

Bovendien is het de taak van de exploitant ervoor te zorgen dat de volledige technische betrouwbaarheid van het systeem te allen tijde gewaarborgd is.

GELDT DERHALVE HET VOLGENDE:

- De exploitant moet ervoor zorgen dat de in deze handleiding gespecificeerde onderhoudsintervallen worden nageleefd.
- De exploitant moet ervoor zorgen dat alle veiligheidsvoorzieningen regelmatig worden gecontroleerd op functionele betrouwbaarheid en volledigheid.

2.4. VEREISTEN AAN HET PERSONEEL

2.4.1. KWALIFICATIES

De verschillende taken die in deze handleiding worden beschreven, stellen verschillende eisen aan de kwalificatie van de personen die met deze taken worden belast.



WAARSCHUWING!

- **Gevaar bij onvoldoende kwalificatie van personen!**
- Onvoldoende gekwalificeerde personen kunnen de risico's bij de omgang met het apparaat niet inschatten en stellen zichzelf en anderen bloot aan het risico van een ernstig of dodelijk letsel.
- Alle werkzaamheden alleen laten uitvoeren door daarvoor gekwalificeerd personeel!
- Onvoldoende gekwalificeerde personen uit de buurt van het werkgebied houden!

Voor alle werkzaamheden zijn alleen personen toegelaten van wie kan worden verwacht dat ze deze werkzaamheden op betrouwbare wijze kunnen uitvoeren. Personen van wie het reactievermogen is aangetast, bijvoorbeeld door drugs, alcohol of geneesmiddelen, zijn niet toegestaan.

In deze handleiding worden de kwalificaties van de hieronder vermelde personen voor de verschillende taken benoemd:

INGENIEUR GASTECHNOLOGIE

Beschikt over een gespecialiseerde opleiding, vaardigheden, ervaring en kennis betreffende relevante normen en richtlijnen om werkzaamheden aan drukcontrolesystemen te kunnen uitvoeren en mogelijke risico's te kunnen onderkennen. Ingenieurs gastechnologie worden speciaal opgeleid met betrekking tot het respectieve productiebedrijf en zijn specifieke normen en richtlijnen.

TECHNICUS

Beschikt over een gespecialiseerde opleiding, vaardigheden en ervaring van betreffende relevante normen en richtlijnen om werkzaamheden aan drukcontrolesystemen te kunnen uitvoeren en mogelijke risico's te kunnen onderkennen.

2.4.2. ONBEVOEGDEN



WAARSCHUWING!

- **Levensgevaar voor onbevoegden door gevaren in het gevaren- en werkgebied!**
- Onbevoegde personen die niet aan de hier beschreven eisen voldoen, zijn niet op de hoogte van de gevaren in het werkgebied. Daarom bestaat er gevaar voor ernstig of zelfs dodelijk letsel voor onbevoegden.
- Onbevoegde personen uit de buurt van het gevaren- en werkbereik houden!
- Bij twijfel personen aanspreken en hen uit het gevaren- en arbeidsbereik leiden!
- De werkzaamheden onderbreken zolang onbevoegden zich in het gevaren- en arbeidsbereik bevinden!

2.4.3. INSTRUCTIE

De exploitant dient het personeel regelmatig te instrueren.

Voor een betere opvolging dient een opleidingsprotocol te worden opgesteld met de volgende minimale inhoud:

- Datum van de instructie
- Naam van de geïnstrueerde
- Inhoud van de instructie
- Naam van de instructeur
- Handtekeningen van de geïnstrueerden en de instructeur

2.5. PERSOONLIJKE BESCHERMINGSMIDDELEN

De persoonlijke beschermingsmiddelen worden gebruikt om personen te beschermen tegen aantastingen van de veiligheid en de gezondheid op het werk.

Het personeel moet tijdens de diverse werkzaamheden aan en met het apparaat persoonlijke beschermingsmiddelen dragen, waarnaar in de afzonderlijke hoofdstukken van deze handleiding apart wordt verwezen.



BESCHERMEND ADEMHALINGSAPPARAAT, ONAFHANKELIJK VAN DE OMGEVINGSLUCHT

Bescherming tegen schadelijke gassen, dampen, stof en soortgelijke stoffen. Beschermende ademhalingsapparaten zoals ademluchttoestellen met gecompriëerde lucht moeten worden gebruikt wanneer een zuurstofgehalte van meer dan 17% in de omgevingslucht niet kan worden gegarandeerd en/of een overschrijding van de toelaatbare grenzen van schadelijke stoffen in de omgevingslucht niet kan worden uitgesloten. Beschermende ademhalingsapparaten die onafhankelijk zijn van de omgevingslucht mogen alleen worden gedragen door speciaal opgeleid personeel.



BESCHERMEND ADEMHALINGSAPPARAAT, ONAFHANKELIJK VAN DE OMGEVINGSLUCHT

Bescherming tegen schadelijke gassen, dampen, stof en soortgelijke stoffen. Beschermende ademhalingsapparaten die afhankelijk zijn van de omgevingslucht moeten worden gebruikt als niet kan worden uitgesloten dat de toelaatbare grenswaarden van schadelijke stoffen in de omgevingslucht zullen worden overschreden. Beschermende ademhalingsapparaten die afhankelijk zijn van de omgevingslucht mogen alleen worden gebruikt bij een gegarandeerd zuurstofgehalte in de lucht die men inademt van meer dan 17%.



VEILIGHEIDSBRIL

Bescherming tegen rondvliegende onderdelen en druppels.



HANDSCHOENEN, CHEMISCH BESTENDIG

Beschermt de handen tegen agressieve stoffen.
Er dient op te worden toegezien dat de handschoenen lekvrij zijn.
Na gebruik de handschoenen vakkundig afvoeren.



BESCHERMENDE HANDSCHOENEN

Bescherming van de handen tegen mechanische invloeden en zowel hete als koude oppervlakken.



GEHOORBESCHERMING DRAGEN

Beschermt het gehoor tegen te harde geluiden en voorkomt geluidstrauma's.

2.6. WAT TE DOEN BIJ BRAND OF ONGEVAL

PREVENTIEVE MAATREGELEN

- Altijd voorbereid zijn op brand en ongevallen
- Eerstehulpuitrusting (verbanddoos, dekens, enz.) en brandblusapparatuur in orde en binnen handbereik houden.
- Personeel vertrouwd maken met de faciliteiten voor het melden van ongevallen, eerste hulp en redding.
- Toegangswegen vrijhouden voor voertuigen van hulpdiensten.

MAATREGELEN BIJ HET UITBREKEN VAN BRAND EN BIJ ONGEVALLEN

- Als er geen gevaar is voor de eigen gezondheid de personen uit de gevarezone redden.
- Indien nodig eerstehulpmaatregelen verlenen.
- Brandweer en/of reddingsdienst waarschuwen.
- Bij het uitbreken van brand: als er geen gevaar is voor de eigen gezondheid het vuur bestrijden met blusmateriaal en doorgaan met de brandbestrijding tot de brandweer arriveert.
- Verantwoordelijke op de gebruikslocatie informeren.
- Toegangswegen vrijmaken voor voertuigen van hulpdiensten.
- Voertuigen van hulpdiensten instrueren.

2.7. MILIEUBESCHERMING



AANWIJZING!

- **Gevaar voor het milieu door onjuist gebruik van milieugevaarlijke stoffen!**
- Bij verkeerde omgang met milieugevaarlijke stoffen, met name bij verkeerde recycling/afvalverwerking, kan ernstige schade aan het milieu ontstaan!
- De hierna genoemde aanwijzingen voor de omgang met milieugevaarlijke stoffen en de recycling/afvalverwerking ervan altijd in acht nemen!
- Als milieugevaarlijke stoffen onbedoeld in het milieu terechtkomen, onmiddellijk geschikte maatregelen treffen. Informeer in geval van twijfel de verantwoordelijke lokale autoriteit over de schade en vraag om passende maatregelen te nemen!

2.8. GEVARENTEKENS



WAARSCHUWING!

- **Gevaar bij onleesbare bewegwijzering!**
- In de loop van de tijd kunnen etiketten en borden vuil worden of op een andere manier onherkenbaar worden zodat gevaren niet kunnen worden herkend en noodzakelijke bedieningsinstructies niet kunnen worden opgevolgd. Daardoor bestaat letselgevaar.
- Alle veiligheids-, waarschuwings- en bedieningsinstructies altijd in goed leesbare toestand houden.
- Beschadigde borden of etiketten onmiddellijk vernieuwen.

2.8.1. GEBODSTEKENS

- Geen tekens

2.8.2. VERBODSTEKENS

- Geen tekens

2.8.3. WAARSCHUWINGSTEKENS



WAARSCHUWING VOOR
GASFLESSEN



WAARSCHUWING VOOR
EXPLOSIEVE ATMOSFEER

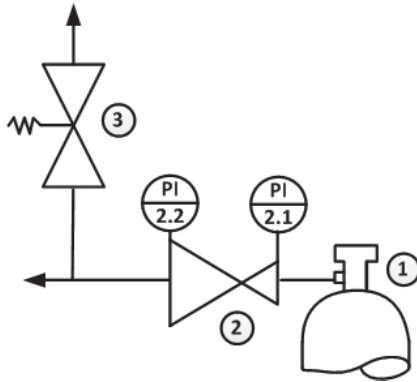


WAARSCHUWING VOOR
GIFTIGE EN/ OF CORROSIEVE
STOFFEN

3. TECHNISCHE GEGEVENS

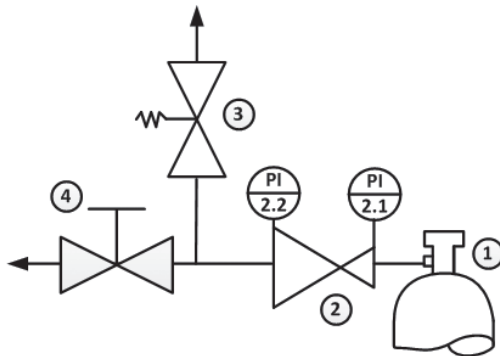
3.1. STROOMDIAGRAM – EENTRAPS VERSIE

C12HV/1



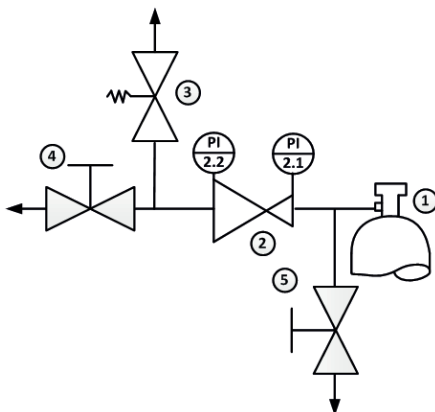
- 1 – GASFLES
- 2 – DRUKREGELAAR
- 3 – ONTLUCHTING

C12HV/1 A



- 1 – GASFLES
- 2 – DRUKREGELAAR
- 3 – ONTLUCHTING
- 4 – AFSLUITKLEP

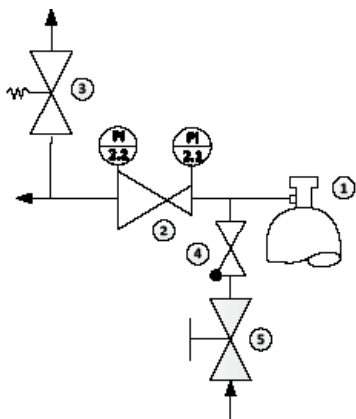
C12HV/1 B



- 1 – GASFLES
- 2 – DRUKREGELAAR
- 3 – ONTLUCHTING
- 4 – REGELKLEP
- 5 – ONTLUCHTINGSKLEP

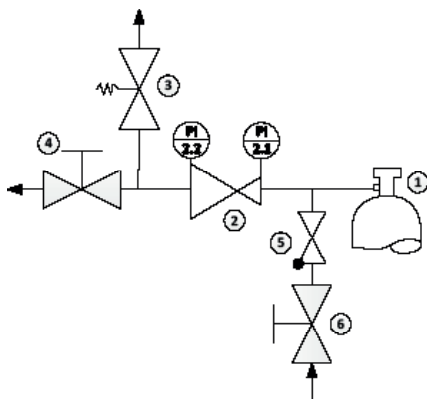
NL

C12HV/1 TP



- 1 – GASFLES
- 2 – DRUKREGELAAR
- 3 – AFBLAASKLEP
- 4 – TERUGSLAGKLEP
- 5 – SPOELKLEP VREEMD GAS

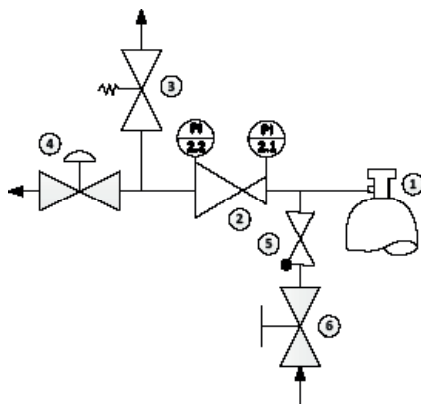
C12HV/ TPA



- 1 – GASFLES
- 2 – DRUKREGELAAR
- 3 – AFBLAASKLEP
- 4 – AFSLUITKLEP
- 5 – TERUGSLAGKLEP
- 6 – SPOELKLEP VREEMD GAS

NL

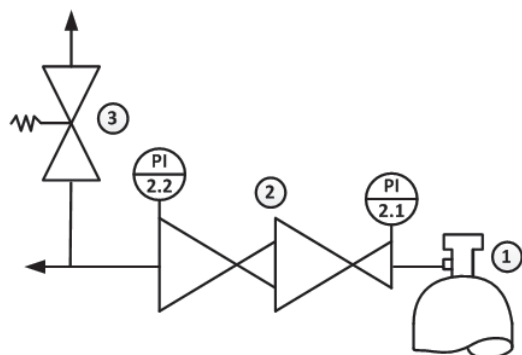
C12HV/ TPB



- 1 – GASFLES
- 2 – DRUKREGELAAR
- 3 – AFBLAASKLEP
- 4 – REGELKLEP
- 5 – TERUGSLAGKLEP
- 6 – SPOELKLEP VREEMD GAS

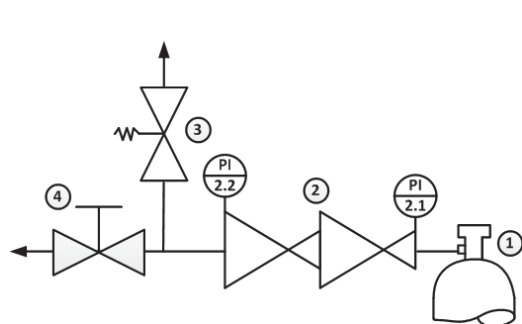
3.2. STROOMDIAGRAM – TWEETRAPSVERSIE

C200HV/2



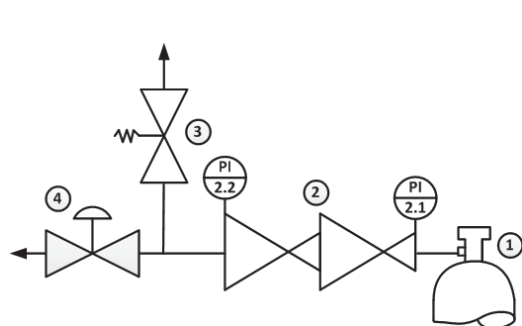
- 1 – GASFLES
- 2 – DRUKREGELAAR
- 3 – AFBLAASKLEP

C200HV/2 A



- 1 – GASFLES
- 2 – DRUKREGELAAR
- 3 – AFBLAASKLEP
- 4 – AFSLUITKLEP

C200HV/2 B

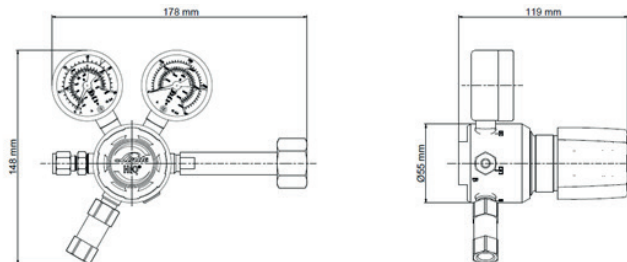


- 1 – GASFLES
- 2 – DRUKREGELAAR
- 3 – AFBLAASKLEP
- 4 – REGELKLEP

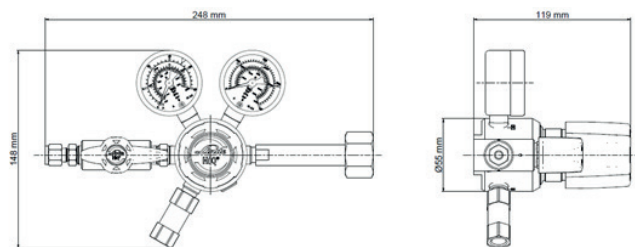
NL

3.3. AFMETINGEN

EENTRAPS

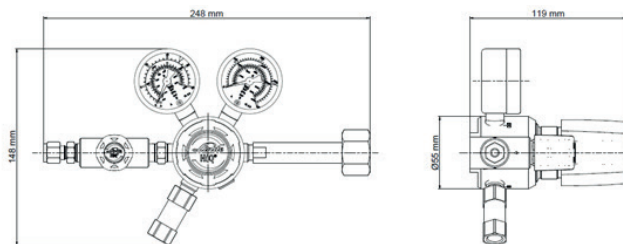


VERSIE A | EENTRAPS

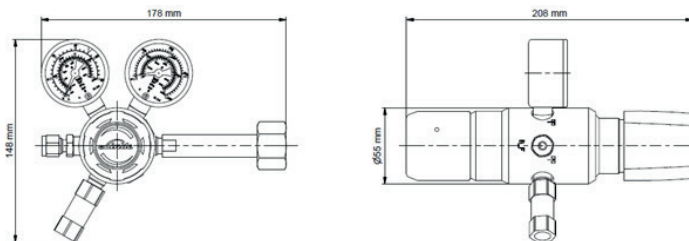


NL

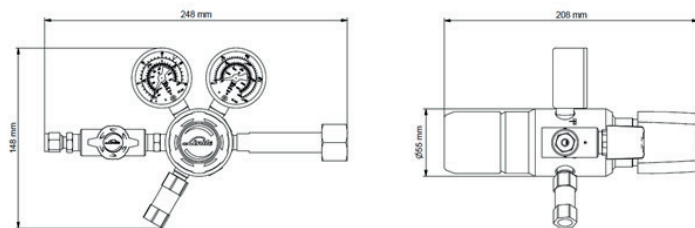
VERSIE B | EENTRAPS



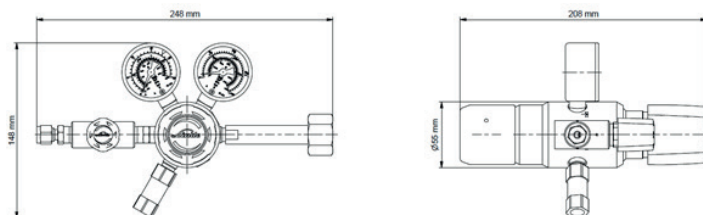
TWEETRAPS



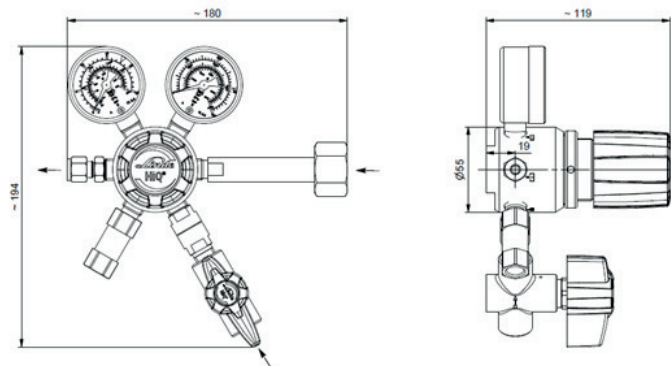
VERSIE A | TWEETRAPS



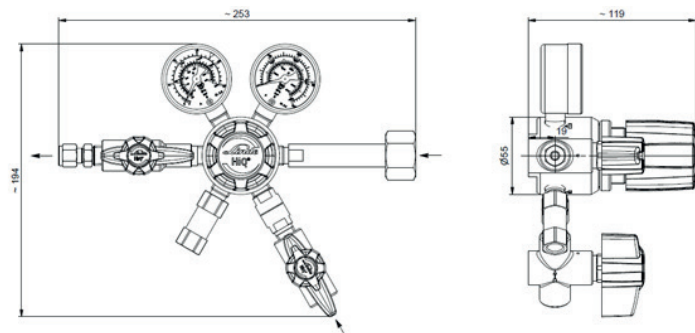
VERSIE B | TWEETRAPS



VERSIE TP | EENTRAPS

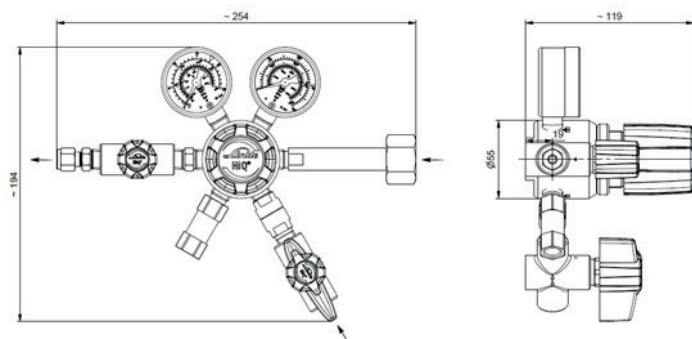


VERSIE TPA | EENTRAPS



NL

VERSIE TPB | EENTRAPS



3.4. ALGEMENE INFORMATIE

Specificatie	Eentrap Messing verchromd	Tweetraps Messing verchromd	Eentrap Roestvrij staal	Tweetraps Roestvrij staal
Max.gewicht [kg]	2,5	3,3	4,04	4,93
Lengte [mm]	223	223	263	263
Breedte [mm]	114	202	114	202
Hoogte [mm]	168	168	168	168

3.5. AANSLUITINGSWAARDEN

Specificatie	Waarde	Toepassing
Ingang	DIN477 AFNOR BS CGA enz.	Flesaansluiting
Uitgang	1/8", 1/4", 3/8", 1/2" 3, 6, 8, 10, 12 4,8; 6,4; 8,0	Klemringen inch Klemringen mm Slangkoppeling mm (max. 15 bar)
Ontluchting	1/4"	Klemringen inch

3.6. VERMOGENSWAARDEN

Specificatie	Waarde	Eenheid
Nominaal debiet (ISO 2503)	20 (Perslucht)	m ³ /h
Ingangsdruk (max.)	C12hv - 12 bar C200hv - 200 bar	bar
Uitgangsdruk (max.)	200 (afh. van de ingangsdruk)	bar

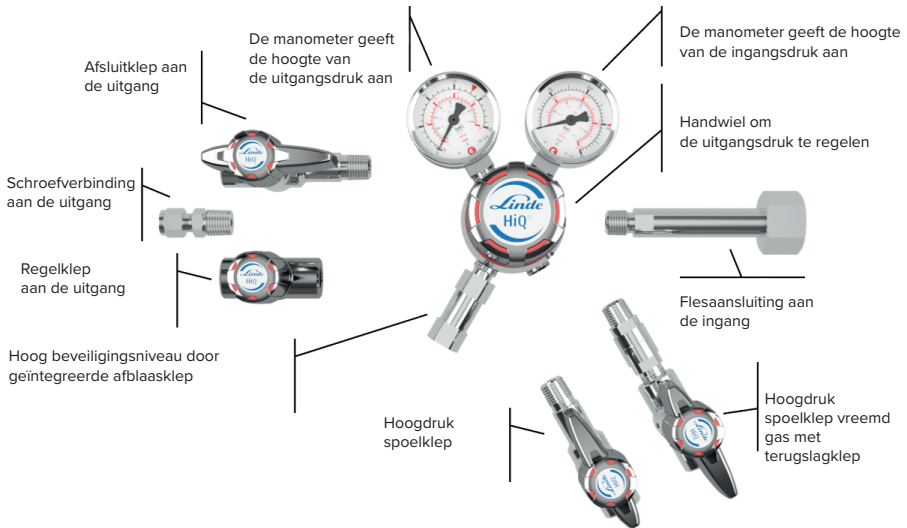
3.7. BEDRIJFSOMSTANDIGHEDEN OMGEVING

Specificatie	Waarde	Eenheid
Temperatuurbereik	-20 tot +60	°C
Relatieve luchtvochtigheid (max.)	98	%

NL

4. OPBOUW EN WERKING

4.1. MESSING VERCHROOMDE VERSIE



4.2. KORTE OMSCHRIJVING

De bediening van de flesdrukregelaar gebeurt handmatig met het handwiel. De inlaat- en de uitlaatdruk kunnen respectievelijk op de inlaat- en uitlaatdrukmeter worden afgelezen.

- Verschillende extra componenten zijn bij de hantering betrokken:
- Afsluitklep aan de uitgang om de uitgangsdruk af te sluiten.
- Regelklep aan de uitgang om de uitgangsdruk te regelen.
- Spoelklep vreemd gas met terugslagklep voor het spoelen van de inlaat aan hogedrukzijde.

NL

5. TRANSPORT, VERPAKKING EN OPSLAG



TIPS EN AANBEVELINGEN!

- De installatie en eerste inbedrijfstelling gebeuren idealiter door medewerkers van de fabrikant of door door de fabrikant gemachtigde personen.
- Desondanks kan het gebeuren dat operators of onderhoudsmedewerkers van de exploitant in het kader van de installatie en het verdere gebruik belast worden met de behandeling van pakketten. Het is van essentieel belang dat u daarbij de aanwijzingen in het volgende gedeelte in acht neemt.

5.1. VEILIGHEIDSAANWIJZINGEN VOOR HET TRANSPORT



AANWIJZING!

- **Materiële schade door onoordeelkundig transport!**
- Bij onoordeelkundig transport kunnen transportstukken vallen of omvallen. Dit kan aanzienlijke materiële schade veroorzaken.
- Bij het lossen van transportstukken bij de levering en tijdens het interne transport voorzichtig te werk gaan en de symbolen en instructies op de verpakking in acht nemen.
- Alleen de daarvoor bestemde bevestigingspunten gebruiken.
- Verpakkingen pas vlak voor de montage verwijderen.

5.2. TRANSPORT INSPECTIE

De levering onmiddellijk na ontvangst op volledigheid en transportschade controleren.

Bij uitwendig zichtbare transportschade als volgt te werk gaan:

- De levering niet of slechts onder voorbehoud aanvaarden.
- Omvang van de schade op de vervoerdocumenten of op de afleveringsbon van de vervoerder noteren.
- Klacht indienen



TIPS EN AANBEVELINGEN!

- Over elk defect klacht indienen zodra het wordt ontdekt. Aanspraken op schadevergoeding kunnen alleen binnen de garantieperiode geldend worden gemaakt.

5.3. VERPAKKING

De afzonderlijke verpakkingen worden verpakt overeenkomstig de verwachte transportomstandigheden. Voor de verpakking worden uitsluitend milieuvriendelijke materialen gebruikt.

De verpakking moet de afzonderlijke componenten tot aan de montage beschermen tegen transportschade, corrosie en andere beschadigingen. Daarom de verpakking niet vernietigen en deze pas kort voor de montage verwijderen.



AANWIJZING!

- **Gevaar voor het milieu door verkeerde verwijdering!**
- Verpakkingsmaterialen zijn waardevolle grondstoffen en kunnen in veel gevallen worden hergebruikt of op verstandige wijze verwerkt en gerecycled worden. Door een verkeerde verwijdering van verpakkingsmaterialen kunnen gevaren voor het milieu ontstaan.
- Verpakkingsmaterialen milieuvriendelijk afvoeren.
- De plaatselijk geldende verwijderingsvoorschriften in acht nemen. Eventueel een gespecialiseerd bedrijf de opdracht geven voor de verwijdering.

5.4. OPSLAG

Pakketten opslaan onder de volgende voorwaarden:

- Niet buiten bewaren.
- Droog en stofvrij opslaan.
- Niet blootstellen aan agressieve media.
- Beschermen tegen zonlicht.
- Mechanische trillingen vermijden.
- Opslagtemperatuur: 15 tot 35 °C.
- Relatieve luchtvochtigheid: max. 60 %.
- Bij opslag langer dan 3 maanden regelmatig de algemene toestand van alle onderdelen en van de verpakking controleren. Indien nodig de conservering opfrissen of vernieuwen.

NL



TIPS EN AANBEVELINGEN!

- Er kunnen opslaginstructies op de pakketten staan die verder gaan dan de hier vermelde vereisten. Neem deze dienovereenkomstig in acht.

6. INSTALLATIE EN EERSTE INGEBRUIKNAME

6.1. VEILIGHEIDSINSTRUCTIES VOOR DE INSTALLATIE EN EERSTE INBEDRIJFSTELLING

PERSONEEL

De installatie en eerste ingebruikname mag uitsluitend door gekwalificeerd personeel worden uitgevoerd.

6.2. VOORBEREIDINGEN

UITPAKKEN

- De componenten moeten voorzichtig en behoedzaam worden uitgepakt.
- Extra verpakkingsmaterialen ook verwijderen.
- Alle componenten onderzoeken op eventuele transportschade.

ONTLASTEN

- Ontlast de gasdruk eventueel in bestaande installaties, indien nodig spoelen met inert gas.
- Scheid de pijpleiding in eventueel bestaande installaties met speciaal gereedschap zodat spanen worden vermeden.
- Zorg ervoor dat de verbindingstukken in perfecte staat zijn en schoon zijn.

6.3. INSTALLATIE

Gebruik drukregelaars met cilindraansluiting alleen in overeenstemming met de verschillende gassen en nationale en internationale richtlijnen (DIN477, CGA, AFNOR, enz.).



GEVAAR!

- De schroefdraad van de flesklep en de wartelmoer moeten in perfecte staat zijn.



WAARSCHUWING!

- Altijd nieuwe afdichtingen gebruiken. Afdichtingen mogen niet vervormd zijn en geen sporten vertonen van vuil of metaalspanen.
- Het gebruik van meerdere afdichtingen op één afdichtingspunt is niet toegestaan. Gebruikte afdichtingen moeten worden verwijderd.



WAARSCHUWING!

- Geen sleutelverlengstuk gebruiken omdat anders de schroefdraad en de afdichting beschadigd worden.
- Dit kan leiden tot lekkages, ongecontroleerde gaslekkage of volledige wegstromen van de gasvoorraad.
- Gebruikte afdichtingen moeten worden verwijderd.



WAARSCHUWING!

- Bij het aansluiten of verwisselen van flessen met giftige of bijtende gassen moeten passende persoonlijke beschermingsmaatregelen worden genomen (ademhalingsbescherming, oogbescherming en beschermende kleding).
- MAK-waarden in acht nemen (zie 'Technische regels voor gevaarlijke stoffen', TGRS 900), houd de juiste ademhalingsbeschermingsfilters gereed. Alleen flesdrukregelaars met spoelinrichting gebruiken.

NL



VOORZICHTIG!

- Voor het aansluiten dient aan de hand van het typeplaatje gecontroleerd te worden of de huidige fitting geschikt is voor het beoogde gebruik.

6.3.1. VOORBEREIDING

Er mogen alleen drukregelaars worden gebruikt met fles aansluitingen die voldoen aan de betreffende norm (DIN477, CGA, AFNOR, enz.) in overeenstemming met de gebruikte gassoort.

6.3.2. AANSLUITEN VAN DE GASFLES

Plaats de afdichting die overeenkomt met de betreffende fles aansluiting en het soort gas.

Wartelmoer eerst met de hand op de klepaansluiting van de fles opschroeven.

Let op de rechtse en linkse schroefdraad!

De drukregelaar plaatsen – drukregelaar niet kantelen!

De wartelmoer met de juiste steeksleutel vastdraaien. Aandacht: geen sleutelverlengstuk gebruiken omdat anders de schroefdraad en de afdichting beschadigd kunnen worden. Dit kan leiden tot lekkages en ongecontroleerd wegstromen van de gasvoorraad (volledig gasverlies!).

Bij fles aansluitingen met handmatige aansluiting de wartelmoer handvast aandraaien.

Attentie: geen sleutels gebruiken omdat anders het gripoppervlak kan worden vernietigd.



De aansluitleidingen worden gewoonlijk gemonteerd met knelkoppelingen. Eerst worden de afsluitdoppen van de aansluitingen verwijderd. De montage gebeurt door de leiding volledig in de knelkoppeling te steken. Draai vervolgens de wartelmoer met de hand vast en draai hem vast met een steeksleutel (eerste installatie 1 1/4 slag voor leidingen groter dan 1/8 inch en 3/4 slag voor leidingen van 1/8 inch of kleiner, herinstallatie 1/4 slag voor alle leidingen). De ontluuchtingsleiding wordt op dezelfde manier aan de ontluuchting aangesloten. Neem de instructies van de fabrikant en de geschiktheid van de materialen voor bepaalde gassen en drukbereiken in acht.

De flesdrukregelaar is verkrijgbaar met een maximale uitgangsdruk van 15 bar met slangkoppeling.

Door de kegelvormige vorm van koppeling kan de slang gemakkelijk worden bevestigd.

Type TP, TPA, TPB, met spoelklep vreemd gas

Bij flesdrukregelaars met spoelklep vreemd gas (TP, TPA, TPB) moet een extra aansluitleiding voor het vreemde gas worden aangesloten zoals hierboven beschreven.

6.4. VOORWAARDE VOORWAARDEN VOOR EERSTE INBEDRIJFSTELLING

- De testrapporten van de leidingsystemen met betrekking tot de dichtheid, indien vereist ook vocht en deeltjes, zijn beschikbaar.
- Procesgasslangen, ontluuchtings- en spoelgasslangen, veiligheidsklep- en keerklepslangen, indien aanwezig, moeten worden aangesloten
- In de procesgasleiding zit alleen standaard gas (zie hoofdstuk 1.2).
- De inbedrijfstelling mag alleen worden uitgevoerd door geïnstrueerd en gekwalificeerd personeel.
- Beschermende kleding dient te worden gedragen in overeenstemming met de voorschriften.
- Gebruik alleen vonkvrij gereedschap en zorg dat het klaar is voor de installatie
- Controleer vóór de eerste inbedrijfstelling aan de hand van het typeplaatje of de huidige flesdrukregelaar geschikt is voor het beoogde gebruik (gas, druk, materiaal, enz.).
- Bij het gebruik van bijtende, giftige gassen en de roestvrijstalen flesdrukregelaars in de uitvoeringen **TP, TPA, TPB, EP, EPA en/of EPB**, moet voor de inbedrijfstelling een spoeling met vreemd gas met inert gas worden uitgevoerd (zie punt 6.5.2).

6.5. EERSTE INGEBRUIKNAME

- Aan alle voorwaarden is voldaan overeenkomstig punt 6.4
- De flesdrukregelaar is ontspannen (gesloten), d.w.z. het handwiel is helemaal uitgedraaid (naar links)
- Bij gebruik van bijtend en/of giftig gas en de roestvrijstalen uitvoering TP, TPA, TPB van de flesdrukregelaar, moet voor de eerste inbedrijfstelling een spoeling met inert gas worden uitgevoerd (zie punt 6.5.2).



WAARSCHUWING!

- Er dient absoluut op gelet te worden dat de flesdrukregelaar niet onder een hogere druk komt dan de toegestane bedrijfsdruk.

6.5.1. VULLEN VAN DE PROCESGASLEIDING MET PROCESGAS

Gewenste uitgangsdruk instellen door langzaam met de klok mee aan het handwiel van de drukregelaar te draaien. De flesdrukregelaar is nu in bedrijf. Het wordt aangeraden de drukregelaar dagelijks te bekijken en de druk te controleren.

6.5.2. FLESWISSEL

• Bij gebruik van bijtend en/of giftig gas en de roestvrijstalen uitvoering **TP, TPA, TPB** van de flesdrukregelaar, moet voor de fleswissel een spoeling met inert gas worden uitgevoerd (zie punt 6.5.2).



AANWIJZING!

Voor het doorspoelen met vreemd gas met inert gas droog, schoon spoelgas gebruiken. We raden een gaszuiverheid aan die overeenstemt met de toepassing.



WAARSCHUWING!

- Bij het verwisselen van flessen met giftige, bijtende gassen moeten passende persoonlijke beschermingsmaatregelen worden genomen (ademhalingsbescherming, oogbescherming, beschermende kleding).
- MAK-waarden in acht nemen (zie 'Technische regels voor gevaarlijke stoffen', TGRS 900), houd de juiste ademhalingsbeschermingsfilters gereed.



GEVAAR!

- Indien giftige en/of bijtende gassen uit de drukgasfles zijn onttrokken, dient het toestel onder druk met inert gas (doorspoeling met vreemd gas) te worden gespoeld alvorens de lege fles terug te plaatsen. Dit zorgt ervoor dat het restgas dat zich in het systeem bevindt, wordt afgevoerd door de spoeluitlaatleiding.

VOORBEREIDING

1. Gasflesklep goed sluiten
2. Drukregelaar volledig leegmaken, de wijzers van de ingangs- en uitgangsdrukmeters moeten beide op "0" staan
3. Handwiel van de drukregelaar tegen de wijzers van de klok in tot aan de aanslag draaien, drukregelaar gesloten
4. Uitgangafsluiter of regelklep sluiten, indien aanwezig.
5. Bij de versies P, TP, TPA, TPB eerst spoel- of ontlastingsproces uitvoeren

DOORSPOELEN MET VREEMD GAS

Spoelproces voor flesdrukregelaar met spoelklep vreemd gas aan de hogedrukzijde uitvoeren (TP, TPA, TPB)

A Controleren of de spoelgasingang en procesgasuitgang goed zijn aangesloten

B Alle kleppen sluiten

C Drukregelaar sluiten door te draaien aan het handwiel tegen de wijzers van de klok in

D Spoelklep vreemd gas openen

E Spoelklep vreemd gas sluiten

F Drukregelaar en uitgangafsluiter of uitgangsregelklep kort openen en spoelgas laten ontsnappen door de uitgang van de flesdrukregelaar

G Flesdrukregelaar en uitgangsafsluiter of uitgangsregelklep sluiten

De stappen D – G tien keer herhalen voor een perfecte spoelresultaat.

6. Wartelmoer aan de gasfles met moersleutel losdraaien. Bij een flesaansluiting met handmatige aansluiting, wartelmoer met de hand losdraaien.

7. Nieuwe flessen aansluiten zoals hierboven beschreven (punt 6.3.1)

6.5.3. BUITENGEBRUIKSTELLING

Bij gebruik van bijtend en/of giftig gas en de roestvrijstalen uitvoering TP, TPA, TPB van de flesdrukregelaar, moet voor de buitengebruikstelling een spoeling met inert gas worden uitgevoerd (zie punt 6.5.2).



VOORZICHTIG!

- Bij demontage in het algemeen het volgende in acht nemen: drukregelaar en leidingen ontspannen door het afleiden van het gas via de verbruiker, wijzers van de stroomopwaartse en stroomafwaartse drukmeters dienen volledig op "0" te staan.
 - Bij bijtende of giftige gassen alle componenten met inert gas spoelen.
 - Passende persoonlijke beschermingsmaatregelen treffen (bescherming van de ademhalingswegen, oogbescherming en beschermende kleding).
 - MAK-waarden in acht nemen (zie 'Technische regels voor gevaarlijke stoffen', TGRS 900), houd de juiste ademhalingsbeschermingsfilters gereed.
1. Gasflesklep goed sluiten
 2. Drukregelaar volledig leegmaken, de wijzers van de ingangs- en uitgangsdrukmeters moeten beide op "0" staan
 3. Handwiel van de drukregelaar tegen de wijzers van de klok in tot aan de aanslag draaien, drukregelaar gesloten
 4. Uitgangafsluiter of regelklep sluiten, indien aanwezig.
 5. Bij de versies **P, DP, TP, TPA, TPB, EP, EPA en/of EPB** eerst spoel- of ontlastingsproces uitvoeren (zie punt 6.5.2)
- Door het draaien van het handwiel van de drukregelaar tegen de wijzers van de klok in de flesdrukregelaar sluiten.
 - Buisleiding ontspannen!
 - De flesdrukregelaar is nu buiten bedrijf. Er kunnen nu reparatie- en onderhoudswerkzaamheden worden uitgevoerd.

6.6. CONTROLES

- Na het onder druk brengen de werking van de drukregelaar controleren.
- Dichtheid van de afblaasklep controleren.

7. WERKING

De werking van de flesdrukregelaar voor standaard gassen is gedefinieerd volgens hoofdstuk 2.1.

NL



VOORZICHTIG!

- Handkleppen moeten altijd langzaam en voorzichtig worden geopend om drukstoten in het systeem te voorkomen en andere onderdelen te beschermen.

Voor een korte onderbreking van de gasafvoer is het voldoende de afsluiter of de regelklep op de regelaar te sluiten. Bij langere onderbrekingen moet de druk in de regelaar worden verlaagd door het handwiel tegen de wijzers van de klok in te draaien. Sluit om veiligheidsredenen de cilinderklep.

8. ONDERHOUD

8.1. VEILIGHEIDSINSTRUCTIES VOOR HET ONDERHOUD



AANWIJZING!

- Onderhoudswerkzaamheden mogen alleen door gekwalificeerd, geschoold en geautoriseerd personeel worden uitgevoerd (zie hoofdstuk 2.4).

8.2. ONDERHOUDSSCHEMA

In de hiernavolgende paragrafen worden de onderhoudswerkzaamheden beschreven die voor een optimale en storingsvrije werking van het apparaat noodzakelijk zijn.

Als uit regelmatige controles blijkt dat de slijtage toeneemt, verkort dan de vereiste onderhoudsintervallen overeenkomstig de werkelijke tekenen van slijtage.



AANWIJZING!

- Voor vragen over onderhoudswerkzaamheden en onderhoudsintervallen kunt u contact opnemen met de klantendienst.

Interval	Onderhoudswerk	Personeel
Wekelijks	Alle componenten visueel controleren	Bevoegde persoon (TRBS 1203)
Eenmaal per jaar	Bedrijfstest op werking en dichtheid, test van alle veiligheidsrelevante onderdelen	Bevoegde persoon (TRBS 1203)
Om de 10 jaar	Algemene revisie en vervanging van alle slijtdelen	Bevoegde persoon (TRBS 1203)

8.3. ONDERHOUDSWERKZAAMHEDEN

8.3.1. REINIGING



AANWIJZING!

- Reinigingsmiddelen moeten compatibel zijn met de materialen waarmee ze in contact komen.

8.3.2. VOORWAARDE VOOR ONDERHOUD

VOOR HET BEGIN VAN HET ONDERHOUD DIENT GECONTROLEERD TE WORDEN OF

- De gastoevoer onderbroken en veiliggesteld is.
- Het drukregelstation drukloos is.
- De drukregelaar ontspannen is.
- De klep gesloten is.
- Er zich geen procesgas meer in het systeem bevindt.
- Het systeem met een inert gas is vrijgespoeld.

NL

8.3.3. NOODZAKELIJKE ONDERHOUDSBEURT

- Controle van de nauwkeurigheid van de weergavewaarde bij drukweergaven.
- Drukregelstation, drukregelaar, kleppen en drukweergaven: toestand controleren op functie toestand en etikettering.
- Controle van de etikettering.
- Controle op corrosie.
- Controle op functie.
- Lektest met 1-voudige werkdruk gedurende 12 uur uitvoeren.
- Versleten en defecte onderdelen moeten onmiddellijk worden vervangen. Deze werkzaamheden moeten altijd door een erkend vakbedrijf worden uitgevoerd.
- Het ontwerp van de kleppen gebeurde volgens ISO 10297. Dit omvat een typetest waarbij de klep aan een levensduurtest van maximaal 2000 cycli werd onderworpen. Na 2000 cycli moeten de interne onderdelen die in contact komen met het medium worden vervangen. Deze werkzaamheden moeten altijd aan een geautoriseerd vakbedrijf worden toevertrouwd.
- Indien lekkages of overmatige corrosie worden vastgesteld aan drukregelstations/drukregelaars of kleppen, moeten deze eveneens volledig worden vervangen tussen de eerstvolgende mogelijke loskoppelbare verbinding door een geautoriseerd vakbedrijf.
- Na de wissel van componenten of leidingstelsels moeten opnieuw druktets worden uitgevoerd en geregistreerd.

8.4. MAATREGELEN NA UITVOERING VAN HET ONDERHOUD

NA BEËINDIGING VAN DE ONDERHOUDSWERKZAAMHEDEN EN VOOR DE NIEUWE INBEDRIJFNAME VAN HET DRUKREGELSTATION, DE DRUKREGELAAR OF DE KLEP DE VOLGENDE STAPPEN UITVOEREN:

1. Ervoor zorgen dat alle gebruikte gereedschappen, materialen en andere uitrusting uit de werkruimte zijn verwijderd.
2. Werkgebied schoonmaken en eventueel gemorst materiaal zoals vloeistoffen, verwerkingsmateriaal of iets dergelijks verwijderen.
3. Ervoor zorgen dat alle veiligheidsvoorzieningen van het systeem foutloos werken!

9. STORINGEN

Het volgende hoofdstuk beschrijft mogelijke oorzaken van storingen en de werkzaamheden die moeten worden verricht om deze te verhelpen. In geval van vaker optredende storingen moeten de onderhoudsintervallen overeenkomstig de werkelijke belasting worden verkort. Bij storingen die niet met de volgende aanwijzingen kunnen worden verholpen, contact opnemen met de fabrikant.

9.1. VEILIGHEIDSINSTRUCTIES VOOR DE PROBLEEMOPLOSSING

Bij storingen altijd de gastoevoer afsluiten, de drukregelaar ontlasten en de kleppen sluiten. In geen geval onderhoudswerkzaamheden uitvoeren aan onderdelen die onder druk staan.

WAT TE DOEN BIJ STORINGEN:

1. Gastoevoer onderbreken en veiligstellen.
2. Drukregelaar ontlasten, kleppen sluiten.
3. Uitsluitend gekwalificeerd personeel mag storingen verhelpen.
4. Het apparaat in de oorspronkelijke staat herstellen.

Beschrijving	Oorzaak	Oplossing	Kleppen	Fles- drukrege- laar	Leidings- drukrege- laar	Drukregel- stations
Geen doorstroming (ingangsdrukmeter geeft druk aan, uitgangsdrukmeter niet)	Drukregelaar gesloten	Drukregelaar langzaam openen Spoelklep sluiten		<input checked="" type="checkbox"/>	<input checked="" type="checkbox"/>	<input checked="" type="checkbox"/>
Geen doorstroming (beide drukmeters staan op nul)	Flesklep gesloten Service-gasklep gesloten Drukregelaar gesloten Helix / slang niet aangesloten	Inbedrijfstelling conform punt 6. Installeer en eerste ingebruikname		<input checked="" type="checkbox"/>	<input checked="" type="checkbox"/>	<input checked="" type="checkbox"/>
Geen doorstroming	Drukregelaar gesloten	Drukregelaar langzaam openen	<input checked="" type="checkbox"/>			
Tegendrukstijging en afblaasklep opent	Lekkage in de drukregelaarzitting	Reparatie door fabrikant		<input checked="" type="checkbox"/>	<input checked="" type="checkbox"/>	<input checked="" type="checkbox"/>
Lichte uitlaatdrukstijging en afblaasklep opent niet	Daling inlaatdruk	Geen fout, normale bedrijfsstoestand		<input checked="" type="checkbox"/>	<input checked="" type="checkbox"/>	<input checked="" type="checkbox"/>
Lichte uitlaatdrukstijging	Verskil tussen stromingsdruk (met stroming) en stuwdruk (geen stroming)	Geen fout, normale bedrijfsstoestand		<input checked="" type="checkbox"/>	<input checked="" type="checkbox"/>	<input checked="" type="checkbox"/>

Beschrijving	Oorzaak	Oplossing	Kleppen	Fles- drukrege- laar	Leidings- drukrege- laar	Drukregel- stations
Lichte uitlaat- drukvaling	Verschil tussen stuwdruk (geen stroming) en stromingsdruk (met stroming)	Geen fout, normale bedrijf- stoestand		<input checked="" type="checkbox"/>	<input checked="" type="checkbox"/>	<input checked="" type="checkbox"/>
Sterke uitlaat- drukvaling	Vereiste stroming voor drukregelaar te groot	Selectie van een nieuwe drukregelaar voor de ver- eiste druk en stroming		<input checked="" type="checkbox"/>	<input checked="" type="checkbox"/>	<input checked="" type="checkbox"/>
Sterke uitlaat- drukvaling	Lekkende procesgaslei- ding	Proces- gasleiding controleren		<input checked="" type="checkbox"/>	<input checked="" type="checkbox"/>	<input checked="" type="checkbox"/>
Uitgangsdruk te hoog	Onjuiste instel- ling van de regelaar	Drukregelaar Instelling aan- passen, bijstel- len, onderhoud		<input checked="" type="checkbox"/>	<input checked="" type="checkbox"/>	<input checked="" type="checkbox"/>
Tegendruk stijgt onmid- delijk tot aan de aanslag of tegendruk stijgt langzaam tot boven de ingestelde waarde en ontluchting	Vervuiling of beschadiging van de zitting "Stijger"	Reparatie door fabrikant		<input checked="" type="checkbox"/>	<input checked="" type="checkbox"/>	<input checked="" type="checkbox"/>
Geluiden tijdens het bedrijf	Vereiste stroming voor drukregelaar te hoog	Selectie van een nieuwe drukregelaar voor de ver- eiste druk en stroming		<input checked="" type="checkbox"/>	<input checked="" type="checkbox"/>	<input checked="" type="checkbox"/>
Geen veran- dering in de klepbediening ondanks het draaien aan het handwiel	Handwiel defect door te hoog draaimoment, spindel defect, schroefdraaf defect	Reparatie door fabrikant	<input checked="" type="checkbox"/>	<input checked="" type="checkbox"/>	<input checked="" type="checkbox"/>	<input checked="" type="checkbox"/>
Vocht op drukregelaar (GEEN dauw, regen of sneeuw)	Drukrege- laar onttrekt energie aan de omgeving door gasex- pansie	Geen fout, normale bedrijf- stoestand		<input checked="" type="checkbox"/>	<input checked="" type="checkbox"/>	<input checked="" type="checkbox"/>

NL

Beschrijving	Oorzaak	Oplossing	Kleppen	Fles- drukrege- laar	Leidings- drukrege- laar	Drukregel- stations
IJsvorming op drukregelaar (GEEN dauw, regen of sneeuw)	Drukregelaar onttrekt energie aan de omgeving door gasexpansie, beperkte leveringscapaciteit van de drukgascontainers, bijv. voor N ₂ O, CO ₂	Geen fout, normale bedrijfsstoestand ATTENTIE: Op de werking van de contactdrukmeters letten, het aantal van de drukgascontainers verhogen		☑	☑	☑

Deze tabel maakt geen aanspraak op volledigheid. Neem bij vragen of onduidelijkheden contact op met de fabrikant.

10. DEMONTAGE EN AFVOEREN

Wanneer het apparaat het einde van zijn gebruiksduur heeft bereikt, moet het worden ontmanteld en op een milieuvriendelijke manier worden verwijderd.

10.1. VEILIGHEIDSINSTRUCTIES VOOR DE DEMONTAGE EN VERWIJDERING



WAARSCHUWING!

- **Gevaar voor letsel bij ondeskundige demontage!**
- Opgeslagen restenergie, scherpe componenten, punten en hoeken aan en in het apparaat of op het benodigde gereedschap kunnen verwondingen veroorzaken
- Zorg ervoor dat er voldoende ruimte is voordat u met werkzaamheden begint.
- Voorzichtig omgaan met open componenten met scherpe randen.
- Letten op orde en netheid op de werkplaats!
- Losse onderdelen en gereedschappen die op elkaar liggen of rondslingeren zijn bronnen van ongelukken.
- Demonteer componenten op de juiste manier. Let op het gedeeltelijk hoge eigen gewicht van de onderdelen. Gebruik zo nodig hefwerktuigen.
- Onderdelen vastzetten zodat ze niet kunnen naar beneden vallen of omvallen.
- Bij onduidelijkheden de fabrikant raadplegen.

10.2. DEMONTAGE

VOOR HET BEGIN VAN DE DEMONTAGE

Flesdrukregelaar sluiten door te draaien aan het handwiel tegen de wijzers van de klok in.

Flesdrukregelaar drukloos zetten en ervoor zorgen dat er zich geen procesgas meer in het binnenste bevindt.

Systeem drukloos zetten en indien nodig spoelen met een inert gas.

Bedrijfs- en hulpstoffen evenals resterende verwerkingsmaterialen en voer ze op een milieuvriendelijke manier af.

Vervolgens de onderdelen en componenten vakkundig reinigen en met inachtneming van geldende plaatselijke voorschriften inzake veiligheid en gezondheid op het werk en de milieubescherming ontmantelen.



WAARSCHUWING!

- **Systeem niet openen wanneer er zich nog giftig en/of corrosief gas in bevindt!**

10.3. VERWIJDERING

Als er geen terugname- of verwijderingsovereenkomst is gesloten, moeten de gedemonteerde onderdelen naar de recycling worden gebracht:

Metalen tot schroot verwerken.

Plastic elementen naar de recycling brengen.

Overige onderdelen verwijderen gesorteerd op materiaalsamenstelling.

Overeenkomstig artikel 33 van de REACH-verordening verbindt GCE, s.r.o. zich ertoe als verantwoordelijke fabrikant alle klanten te informeren indien de materialen 0,1% of meer van de zeer zorgwekkende stoffen (SVHC) op de lijst bevatten.

De meest gebruikte messinglegeringen voor korpus en andere messingonderdelen bevatten 2-3% lood (Pb), EG-nr. 231-468-6, CAS-nr. 7439-92-1. Bij normaal gebruik komt er geen lood vrij in het gas of het milieu. Aan het einde van de levensduur moet het product worden afgevoerd door een erkend metaalrecyclingbedrijf om een effectieve afvalverwerking van het materiaal te garanderen met zo min mogelijk gevolgen voor het milieu en de gezondheid.

Tot op heden hebben wij geen informatie die erop wijst dat materialen met SVHC-concentraties van meer dan 0,1% in GCE-producten voorkomen.



AANWIJZING!

- ***Gevaar voor het milieu door verkeerde verwijdering!***
- Door een verkeerde verwijdering kunnen gevaren voor het milieu ontstaan.
- Elektronisch afval, elektronische onderdelen, smeermiddelen en andere hulpstoffen laten afvoeren door erkende gespecialiseerd bedrijven.
- In geval van twijfel over milieuvriendelijke verwijdering informatie vragen bij de lokale autoriteit of gespecialiseerde afvalverwerkingsbedrijven.

NL

www.linde.com

Deze artikelen werden geproduceerd in opdracht van Linde.

SPIS TREŚCI

1. INFORMACJE OGÓLNE	230
1.1. INFORMACJE DOTYCZĄCE NINIEJSZEJ INSTRUKCJI.....	230
1.2. INFORMACJE DOTYCZĄCE REGULATORA CIŚNIENIA W BUTLI.....	230
1.3. OBJAŚNIENIE SYMBOLI.....	231
1.4. OGRANICZENIE ODPOWIEDZIALNOŚCI.....	232
1.5. PRAWA AUTORSKIE.....	232
1.6. CZĘŚCI ZAMIENNE.....	233
1.7. WARUNKI GWARANCJI.....	233
1.8. OBSŁUGA KLIENTA.....	233
2. BEZPIECZEŃSTWO.....	233
2.1. ZASTOSOWANIE ZGODNIE Z PRZEZNACZENIEM.....	233
2.1.1. ZMIANY KONSTRUKCYJNE REGULATORÓW CIŚNIENIA W BUTLI.....	233
2.2. PODSTAWOWE ZAGROŻENIA.....	234
2.3. ODPOWIEDZIALNOŚĆ UŻYTKOWNIKA.....	235
2.4. WYMAGANIA DOTYCZĄCE PERSONELU.....	235
2.4.1. KWALIFIKACJE.....	235
2.4.2. OSOBY NIEUPOWAŻNIONE.....	236
2.4.3. SZKOLENIA.....	236
2.5. ŚRODKI OCHRONY OSOBISTEJ.....	236
2.6. ZACHOWANIE W PRZYPADKU POŻARU I WYPADKÓW.....	237
2.7. OCHRONA ŚRODOWISKA.....	237
2.8. OZNAKOWANIE.....	238
2.8.1. ZNAKI NAKAZU.....	238
2.8.2. ZNAKI ZAKAZU.....	238
2.8.3. ZNAKI OSTRZEGAWCZE.....	238
3. DANE TECHNICZNE	239
3.1. SCHEMAT ORUROWANIA I OPRZYRĄDOWANIA - WERSJA JEDNOSTOPNIOWA.....	239
3.2. FLOW SCHEME – DUAL STAGE VERSIONS.....	241
3.3. ARKUSZ WYMIAROWY.....	242
3.4. INFORMACJE OGÓLNE.....	244
3.5. WARTOŚCI PRZYŁĄCZENIOWE.....	244
3.6. WARTOŚCI WYDajNOŚCI.....	244
3.7. WARUNKI PRACY - OTOCZENIE.....	245
4. KONSTRUKCJA I DZIAŁANIE	245
4.1. WERSJA Z CHROMOWANEGO MOSIĄDZU.....	245
4.2. SKRÓCONY OPIS.....	245
5. TRANSPORT, PAKOWANIE I PRZECHOWYWANIE	246
5.1. WSKAZÓWKI BEZPIECZEŃSTWA DOTYCZĄCE TRANSPORTU.....	246
5.2. KONTROLA TRANSPORTU.....	246
5.3. OPAKOWANIA.....	246
5.4. PRZECHOWYWANIE.....	247
6. MONTAŻ I PIERWSZE URUCHOMIENIE	247
6.1. WSKAZÓWKI BEZPIECZEŃSTWA DOTYCZĄCE MONTAŻU I PIERWSZEGO URUCHOMIENIA.....	247
6.2. CZYNNOŚCI PRZYGOTOWAWCZE.....	247
6.3. MONTAŻ.....	247
6.3.1. CZYNNOŚCI PRZYGOTOWAWCZE.....	248
6.3.2. PODŁĄCZANIE BUTLI GAZOWEJ.....	248
6.4. WYMAGANIA DOTYCZĄCE PIERWSZEGO URUCHOMIENIA.....	249
6.5. PIERWSZE URUCHOMIENIE.....	249
6.5.1. NAPEŁNIANIE RUROCIĄGU GAZU TECHNOLOGICZNEGO GAZEM TECHNOLOGICZNYM.....	249
6.5.2. WYMIANA BUTLI.....	249
6.5.3. WYŁĄCZENIE Z EKSPLOATACJI.....	250
6.6. KONTROLE.....	251
7. PRACA URZĄDZENIA.....	251

8. KONSERWACJA	251
8.1. WSKAZÓWKI BEZPIECZEŃSTWA DOTYCZĄCE KONSERWACJI	251
8.2. PLAN KONSERWACJI.....	251
8.3. PRACE KONSERWACYJNE	252
8.3.1. CZYSZCZENIE	252
8.3.2. WARUNKI WSTĘPNE DOTYCZĄCE KONSERWACJI	252
8.3.3. NIEZBĘDNY SERWIS KONSERWACYJNY	252
8.4. DZIAŁANIA PO KONSERWACJI.....	252
9. USTERKI	252
9.1. WSKAZÓWKI BEZPIECZEŃSTWA DOTYCZĄCE USUWANIA USTEREK.....	252
10. DEMONTAŻ I UTYLIZACJA	255
10.1. WSKAZÓWKI BEZPIECZEŃSTWA DOTYCZĄCE DEMONTAŻU I UTYLIZACJI	255
10.2. DEMONTAŻ.....	256
10.3. UTYLIZACJA	256

1. INFORMACJE OGÓLNE

1.1. INFORMACJE DOTYCZĄCE NINIEJSZEJ INSTRUKCJI

Niniejsza instrukcja dotyczy jedno- i dwustopniowych regulatorów ciśnienia w butli typu:

- C12hv
- C200hv

Regulatory ciśnienia butli są przeznaczone do bezpośredniego podłączenia do butli gazowych w celu zmniejszenia ciśnienia butli do niskiej wartości ciśnienia wylotowego. Przyłącza butli gazowych mają różne gwinty zgodnie z odpowiednimi normami (DIN 477, CGA, AFNOR, itd.) oraz w zależności od rodzaju gazu. Uwaga.

Niniejsza instrukcja umożliwia bezpieczne i skuteczne użytkowanie regulatora ciśnienia butli.

Instrukcja jest integralną częścią urządzenia, musi być przechowywana w bezpośrednim sąsiedztwie urządzenia i zawsze dostępna dla personelu. Przed rozpoczęciem prac personel musi dokładnie przeczytać i zrozumieć niniejszą instrukcję. Podstawowym warunkiem bezpiecznej pracy jest przestrzeganie wszystkich wytycznych dotyczących bezpieczeństwa oraz wytycznych postępowania podanych w niniejszej instrukcji. Ponadto obowiązują lokalne przepisy dotyczące zapobiegania wypadkom oraz ogólne przepisy bezpieczeństwa obowiązujące w miejscu użytkowania urządzenia. Ilustracje w niniejszej instrukcji służą podstawowemu zrozumieniu urządzenia i mogą różnić się od rzeczywistej konstrukcji.

1.2. INFORMACJE DOTYCZĄCE REGULATORA CIŚNIENIA W BUTLI

Regulatory ciśnienia w butli tego typu mogą być stosowane wyłącznie z gazami określonymi jako gaz standardowy.

Maksymalne ciśnienie wlotowe dla C12hv wynosi maks. 12 bar, a dla C200hv maks. 200 bar.

Seria produktów	(Czystość 6.0 chromowany mosiądz)	(Czystość 6.0 stal nierdzewna)
z uszczelką FKM w gnieździe zaworu upustowego	<ul style="list-style-type: none"> • Gazy dozwolone do stosowania (w tym ich mieszaniny): <ul style="list-style-type: none"> • Wysoka czystość • Obojętne • Łatwopalne • Podtrzymujące palenie • O₂ • Gazy NIEDOZWOLONE do stosowania (włącznie z ich mieszaninami): <ul style="list-style-type: none"> • Żrące • Toksyczne • CO₂, N₂O 	<ul style="list-style-type: none"> • Gazy dozwolone do stosowania (w tym ich mieszaniny): <ul style="list-style-type: none"> • Wysoka czystość • Obojętne • Łatwopalne • Podtrzymujące palenie (do 200 bar) <ul style="list-style-type: none"> • Żrące (W razie wątpliwości prosimy o konsultację z naszą firmą) <ul style="list-style-type: none"> • Toksyczne (W razie wątpliwości prosimy o konsultację z naszą firmą) <ul style="list-style-type: none"> • O₂ do 200 bar • Gazy NIEDOZWOLONE do stosowania (włącznie z ich mieszaninami): <ul style="list-style-type: none"> • O₂ powyżej 200 bar • CO₂, N₂O • NH₃, SO₂, H₂S

<p>Z gniazdem z EPDM zaworu upustowego</p>	<ul style="list-style-type: none"> • Gazy dozwolone do stosowania (w tym ich mieszaniny): <ul style="list-style-type: none"> • Wysoka czystość • Obojętne • Łatwopalne • Podtrzymujące palenie • CO₂, N₂O • Gazy NIEDOZWOLONE do stosowania (włącznie z ich mieszaninami): <ul style="list-style-type: none"> • Żrące • Toksyczne • O₂ (Udział powyżej 21%) • Węglowodory 	<ul style="list-style-type: none"> • Gazy dozwolone do stosowania (w tym ich mieszaniny): <ul style="list-style-type: none"> • Wysoka czystość • Obojętne • Łatwopalne • Podtrzymujące palenie • Żrące (W razie wątpliwości prosimy o konsultację z naszą firmą) <ul style="list-style-type: none"> • Toksyczne (W razie wątpliwości prosimy o konsultację z naszą firmą) <ul style="list-style-type: none"> • CO₂, N₂O • NH₃, SO₂, H₂S • Gazy NIEDOZWOLONE do stosowania (włącznie z ich mieszaninami): <ul style="list-style-type: none"> • O₂ (Udział powyżej 21%) • Węglowodory
---	---	---

Powyższa tabela nie wyczerpuje wszystkich możliwości. W przypadku pytań i niejasności prosimy o kontakt z producentem.

Nasza oferta obejmuje jedno- i dwustopniowe regulatory ciśnienia w butlach z metalową membraną w wykonaniu 6-drogowym. Wyprodukowane i zatwierdzone zgodnie z normą ISO7291, w tym także w ramach próby wypalania tlenem (patrz tabela pkt 1.2).

Regulator ciśnienia w butli składa się z korpusu regulatora ciśnienia, manometrów wlotowego i wylotowego, przyłącza butli i zaworu upustowego. Jest on dostępny z różnymi złączkami i/lub z różnymi **dotodatkowymi komponentami**, np.

- zawór odcinający na wylocie (A)
- zawór regulacyjny na wylocie (B)
- zawór płuczący gazu obcego na wlocie (TP).
- zawór płuczący gazu obcego na wlocie i zawór odcinający na wylocie (TPA) - tylko w wersji ze stali nierdzewnej.
- zawór płuczący gazu obcego na wlocie i zawór regulacyjny na wylocie (TPB) - tylko w wersji ze stali nierdzewnej.

Wersje **C200/1 TP, C200/1 TPA, C200/1 TPB, C200/2 TP, C200/2 TPA i C200/2 TPB** umożliwiają przepłukanie regulatora ciśnienia gazem obcym. Dlatego są one szczególnie odpowiednie do gazów korozyjnych i toksycznych.

Regulatory ciśnienia w butli z możliwością płukania umożliwiają osuszenie armatury lub usunięcie wilgotnego powietrza atmosferycznego, które mogło przedostać się do regulatora przed oddaniem do eksploatacji lub podczas wymiany butli, a także oczyszczenie armatury z toksycznych, korozyjnych lub samozapalnych gazów przed wyłączeniem go z eksploatacji.

PL

1.3. OBJAŚNIENIE SYMBOLI

WYTYCZNE DOTYCZĄCE BEZPIECZEŃSTWA

W niniejszej instrukcji wytyczne dotyczące bezpieczeństwa zostały oznaczone odpowiednimi symbolami. Instrukcje bezpieczeństwa są wprowadzane przez słowa sygnalizacyjne, które wyrażają stopień zagrożenia.



NIEBEZPIECZEŃSTWO!

To połączenie symbolu i słowa sygnalizacyjnego wskazuje na bezpośrednio niebezpieczną sytuację, która, jeżeli się wydarzy, spowoduje śmierć lub ciężkie obrażenia.



OSTRZEŻENIE!

To połączenie symbolu i słowa sygnalizacyjnego wskazuje na potencjalnie niebezpieczną sytuację, która, jeżeli się wydarzy, może prowadzić do śmierci lub ciężkich obrażeń.



UWAGA!

To połączenie symbolu i słowa sygnalizacyjnego wskazuje na potencjalnie niebezpieczną sytuację, która, jeżeli się wydarzy, może prowadzić do szkód rzeczowych lub lekkich obrażeń.



WSKAZÓWKA!

To połączenie symbolu i słowa sygnalizacyjnego wskazuje na potencjalnie niebezpieczną sytuację, która, jeżeli się wydarzy, może prowadzić do szkód rzeczowych bądź szkód środowiskowych.



WSKAZÓWKI I ZALECENIA

Ten symbol wskazuje na przydatne wskazówki i zalecenia, jak również informacje umożliwiające wydajną i bezproblemową pracę.

UWAGI SPECJALNE

W wytycznych dotyczących bezpieczeństwa zastosowano poniższe symbole, które mają zwracać uwagę na szczególne zagrożenia.



NIEBEZPIECZEŃSTWO!

To połączenie symbolu i słowa sygnalizacyjnego wskazuje na sytuację bezpośrednio niebezpieczną powstającą na skutek działania prądu elektrycznego. Nieprzestrzeganie tak oznaczonej wskazówki może spowodować ciężkie lub śmiertelne obrażenia.

1.4. OGRANICZENIE ODPOWIEDZIALNOŚCI

Wszystkie informacje i wskazówki zawarte w niniejszej instrukcji zostały opracowane z uwzględnieniem obowiązujących norm i przepisów, stanu techniki oraz naszej wieloletniej wiedzy i doświadczenia.

W następujących przypadkach producent nie ponosi odpowiedzialności za powstałe szkody:

- Nieprzestrzeganie niniejszej instrukcji
- Zastosowanie inne niż zastosowanie zgodne z przeznaczeniem
- Powierzenie prac nieprzeszkolonemu personelowi
- Niedozwolone zmiany techniczne i konstrukcyjne
- Stosowanie niezatwierdzonych części zamiennych
- Eksploatacja urządzenia ciśnieniowego z uszkodzonymi instalacjami bezpieczeństwa lub z instalacjami bezpieczeństwa, które są zamontowane w sposób uniemożliwiający ich działanie bądź które nie działają
- Niewłaściwa kontrola urządzeń oraz elementów złącznych i uszczelniających narażonych na zużycie
- Nieprawidłowo wykonane naprawy
- Przekroczenie lub spadek poniżej zakresu temperatur określonego w arkuszu danych podczas pracy lub przechowywania urządzenia
- Katastrofy spowodowane działaniem ciał obcych i siły wyższej

W przypadku wersji specjalnych urządzeń, w przypadku skorzystania z opcji dodatkowych bądź ze względu na najnowsze zmiany techniczne rzeczywisty zakres dostawy może odbiegać od opisanych tu objaśnień i przedstawionych ilustracji. Obowiązują zobowiązania uzgodnione w umowie dostawy, ogólne warunki handlowe i warunki dostawy producenta oraz przepisy ustawowe obowiązujące w momencie zawarcia umowy.

1.5. PRAWA AUTORSKIE

Treść niniejszej instrukcji jest chroniona prawem autorskim. Korzystanie z tych praw jest dozwolone w zakresie użytkowania urządzenia. Każde wykorzystanie, wykraczające poza powyższy zakres, jest zabronione bez pisemnej zgody producenta.

1.6. CZĘŚCI ZAMIENNE



OSTRZEŻENIE!

- Niebezpieczeństwo obrażeń spowodowanych użyciem niewłaściwych części zamiennych!
- Użycie nieprawidłowych lub wadliwych części zamiennych może powodować zagrożenie dla personelu, jak również uszkodzenia, wadliwe działanie lub całkowitą awarię.
- Należy stosować wyłącznie oryginalne części zamienne producenta lub części zamienne autoryzowane przez producenta.
- W razie wątpliwości należy zawsze kontaktować się z producentem.



UTRATA GWARANCJI!

- Użycie niezatwierdzonych części zamiennych spowoduje utratę gwarancji producenta.

1.7. WARUNKI GWARANCJI

Zasadniczo obowiązują nasze "Ogólne warunki sprzedaży i dostawy".

Te warunki są udostępniane klientom najpóźniej w momencie zawarcia umowy.

1.8. OBSŁUGA KLIENTA

Zawsze interesują nas informacje i doświadczenia, które wynikają z zastosowania naszych urządzeń i które mogą być cenne dla ulepszenia naszych produktów.

2. BEZPIECZEŃSTWO

Ten rozdział zawiera przegląd wszystkich ważnych aspektów bezpieczeństwa dotyczących ochrony osób oraz bezpiecznej i bezawaryjnej pracy. Dalsze informacje na temat bezpieczeństwa związane z wykonywanymi zadaniami znajdują się w rozdziałach dotyczących poszczególnych faz życia urządzenia.

2.1. ZASTOSOWANIE ZGODNIE Z PRZEZNACZENIEM

Regulatory ciśnienia w butli typu C12hv i C200hv mogą być używane tylko do podanych gazów i ciśnień oraz przy zachowaniu podanych temperatur. Zgodnie z normą ISO 2503 nominalne natężenie przepływu wynosi 20 m³/h (sprężone powietrze). Użytkowanie zgodne z przeznaczeniem obejmuje również przestrzeganie wszystkich informacji i wskazówek zawartych w niniejszej instrukcji oraz przestrzeganie czynności kontrolnych i konserwacyjnych, jak również przestrzeganie informacji podanych na tabliczce znamionowej i kartach katalogowych. Każde użytkowanie wykraczające poza użytkowanie zgodne z przeznaczeniem oraz jakiegokolwiek inne użytkowanie urządzenia jest uważane za użytkowanie niezgodne z przeznaczeniem.

PL



OSTRZEŻENIE!

- **Zagrożenie w przypadku użytkowania niezgodnego z przeznaczeniem!**
- Użytkowanie regulatora gazu w butli niezgodne z przeznaczeniem może prowadzić do niebezpiecznych sytuacji.
- Nigdy nie wolno używać regulatora ciśnienia w butli jako elementu regulującego przepływ lub jako zaworu odcinającego.
- Nigdy nie używać regulatora ciśnienia w butli do cieczy.

2.1.1. ZMIANY KONSTRUKCYJNE REGULATORÓW CIŚNIENIA W BUTLI

Bez pisemnej zgody producenta nie wolno dokonywać żadnych zmian, uzupełnień ani modyfikacji regulatora ciśnienia w butli.

Regulatory ciśnienia w butli, które nie są w idealnym stanie, muszą być natychmiast wymienione.

Czyszczenie urządzeń gazowych i usuwanie pozostałości

Zużyte regulatory ciśnienia w butli oczekujące na naprawę należy przepłukać gazem obojętnym (azotem).

Wytwarzanie hałasu

W niektórych przypadkach niekorzystna interakcja niektórych zmiennych, takich jak natężenie przepływu i zakres ciśnienia, ale także sam rodzaj gazu, może prowadzić do powstawania odgłosów. W takich sytuacjach prosimy o kontakt z producentem.

2.2. PODSTAWOWE ZAGROŻENIA

W poniższym rozdziale opisano ryzyka resztkowe, które mogą występować podczas eksploatacji urządzenia, nawet wtedy, gdy jest ono użytkowane zgodnie z przeznaczeniem. Aby zmniejszyć ryzyko obrażeń osób i szkód materialnych oraz aby uniknąć niebezpiecznych sytuacji, należy przestrzegać podanych wytycznych dotyczących bezpieczeństwa oraz wytycznych dotyczących bezpieczeństwa zawartych w innych rozdziałach niniejszej instrukcji.



NIEBEZPIECZEŃSTWO!

- **Gazy mogą zagrażać życiu!**
- Gazy mogą wypierać powietrze, a tym samym zawarty w nim tlen. Może to prowadzić do śmierci przez uduszenie. Tlen tworzy atmosferę o wysokim stopniu utlenienia. Gazy palne mogą tworzyć wybuchową atmosferę.

DLATEGO:

- Należy zawsze zapewnić właściwą wentylację!
- Montaż należy zlecać tylko certyfikowanej firmie specjalistycznej!
- Należy przestrzegać dyrektyw ATEX.



UWAGA!

- **Zagrożenia, które mogą wynikać przez wpływ otoczenia!**
Kondensacja i/lub oblodzenie mogą być przyczyną usterek urządzenia.

DLATEGO:

- Należy przestrzegać zakresów temperatur!
- Należy chronić urządzenie przed zewnętrznymi cieczami o płynami!
- Należy chronić urządzenie przed kurzem i pyłem z otoczenia!
- Urządzenie należy montować w sposób chroniący je przed wpływem warunków atmosferycznych!
- Należy prawidłowo zamocować istniejące uziemienie!



OSTRZEŻENIE!

- **Zagrożenie wypadkami podczas używania oleju i smaru!**
Z założenia oleje i smary nie mogą być stosowane w układach regulacji ciśnienia. Oleje i smary są wysoce łatwopalne i gwałtownie reagują z niektórymi sprężonymi gazami.

DLATEGO:

- W żadnym wypadku nie należy używać oleju ani smaru!

PL



OSTRZEŻENIE!

- **Zagrożenie wypadkami z powodu energii zgromadzonej w układzie!**
Niewłaściwa obsługa rząduenia może spowodować niekontrolowane ruchy elementów znajdujących się pod ciśnieniem lub ich części, a w efekcie spowodować poważne lub nawet śmiertelne obrażenia. Nieprawidłowa obsługa może spowodować wydostanie się gazu z części znajdujących się pod ciśnieniem i doprowadzić do ciężkich lub nawet śmiertelnych obrażeń.

PRZED ROZPOCZĘCIEM JAKICHKOLWIEK PRAC PRZY ELEMENTACH POD CIŚNIENIEM:

- Montaż należy zlecać tylko certyfikowanej firmie specjalistycznej!
- Należy nosić okulary ochronne!
- Należy stosować ochronę słuchu!
- Należy upewnić się, że instalacja nie jest pod ciśnieniem!
- Należy upewnić się, że w układzie nie ma zgromadzonej energii!
- Należy zapewnić, że gaz nie będzie się ulatniał się w sposób niezamierzony!
- Należy zapewnić, że uszkodzone części zostaną niezwłocznie wymienione przez przeszkolony personel!



OSTRZEŻENIE!

- **Niebezpieczeństwo wypadku!**
Nieprawidłowy montaż może spowodować poważne, a nawet śmiertelne obrażenia.

DLATEGO:

- Podczas montażu należy zabezpieczyć urządzenia przed spadaniem!
 - Nie wolno rzucić urządzeniami!
- Części znajdujące się pod ciśnieniem mogą być używane wyłącznie zgodnie z przeznaczeniem.

W przypadku uszkodzeń mechanicznych rurociągów i armatury należy doprowadzić układ do stanu bezpiecznego (należy zablokować obszar na którym występują takie uszkodzenia). Usterki zagrażające bezpieczeństwu powinny być niezwłocznie usuwane przez przeszkolony i wykwalifikowany personel lub przez producenta.

Szczególnie w przypadku gazów istnieje ryzyko uszkodzenia regulatora ciśnienia zamontowanego w rurociągu. Wskaźnikiem takich usterek jest brak przepływu gazu za regulatorem ciśnienia lub nagły wzrost ciśnienia wyjściowego. W przypadku uszkodzenia regulatora ciśnienia należy natychmiast wyłączyć układ z eksploatacji. W takiej sytuacji należy koniecznie poinformować firmę odpowiedzialną za konserwację układu. Nigdy nie zamykać przewodów przedmuchiowych.

2.3. ODPOWIEDZIALNOŚĆ UŻYTKOWNIKA

UŻYTKOWNIK

Użytkownikiem jest osoba, która eksploatuje urządzenie w celach komercyjnych lub gospodarczych lub która udostępnia je osobom trzecim do użytku/zastosowania i która podczas eksploatacji ponosi prawną odpowiedzialność produktową ochronę użytkownika, personelu lub osób trzecich.

OBOWIĄZKI UŻYTKOWNIKA

Urządzenie jest stosowane w sektorze komercyjnym. Dlatego użytkownik urządzenia podlega zatem prawnym obowiązkom w zakresie bezpieczeństwa pracy.

Oprócz wytycznych dotyczących bezpieczeństwa zawartych w niniejszej instrukcji obsługi należy przestrzegać przepisów bezpieczeństwa, zapobiegania wypadkom i ochrony środowiska obowiązujących w miejscu użytkowania urządzenia.

ZASTOSOWANIE MAJĄ W SZCZEGÓLNOŚCI NASTĘPUJĄCE WYTYCZNE:

- Użytkownik musi zapoznać się z obowiązującymi przepisami BHP oraz przygotować ocenę ryzyka, która ustali zagrożenia wynikające ze szczególnych warunków pracy w miejscu użytkowania urządzenia. Ocena ryzyka musi zostać przygotowana w formie instrukcji użytkowania urządzenia.
- Przez cały okres użytkowania urządzenia użytkownik musi sprawdzać, czy sporządzona przez niego instrukcja użytkowania odpowiada aktualnemu stanowi przepisów i w razie potrzeby odpowiednio zmienić tę instrukcję aby była zgodna ze zmienionymi przepisami.
- Użytkownik musi jasno ustalić i określić zakres odpowiedzialności za montaż, obsługę, usuwanie usterek, konserwację i czyszczenie urządzenia.
- Użytkownik musi zapewnić, że wszystkie osoby pracujące z urządzeniem przeczytają i zrozumieją niniejszą instrukcję. Ponadto, musi on regularnie szkolić personel i informować go o niebezpieczeństwach.
- Użytkownik musi zapewnić personelowi wymagane wyposażenie ochronne i wydać wiążące polecenia dotyczące noszenia wymaganego wyposażenia ochronnego.

Ponadto do obowiązków operatora należy zapewnienie przez cały czas pełnej technicznej niezawodności systemu.

W ZWIĄZKU Z TYM STOSUJE SIĘ NASTĘPUJĄCE ZASADY:

- Operator musi zapewnić przestrzeganie okresów konserwacji określonych w niniejszej instrukcji.
- Operator musi zapewnić, że wszystkie urządzenia bezpieczeństwa są regularnie sprawdzane pod względem niezawodności działania i kompletności.

2.4. WYMAGANIA DOTYCZĄCE PERSONELU

2.4.1. KWALIFIKACJE

W niniejszej instrukcji zostały opisane różne zadania, które wymagają różnych kwalifikacji od osób, którym powierzono te zadania.



OSTRZEŻENIE!

- **Niebezpieczeństwo w przypadku niewystarczających kwalifikacji osób wykonujących zadania!**
- Osoby o niewystarczających kwalifikacjach nie są w stanie ocenić ryzyka związanego z obsługą urządzenia i narażają siebie i innych na ryzyko poważnych lub śmiertelnych obrażeń.
- Wszystkie prace mogą być wykonywane wyłącznie przez wykwalifikowane osoby!
- Nie wolno zlecać jakichkolwiek zadań osobom nieposiadającym odpowiednich kwalifikacji!

Wszystkie prace mogą być wykonywane wyłącznie przez osoby, od których można oczekiwać, że wykonają je w sposób niezawodny i skuteczny. Osoby, na których reakcje wpływają np. narkotyki, alkohol lub leki, nie mogą wykonywać żadnych czynności przy urządzeniu.

W niniejszej instrukcji podano poniżej kwalifikacje wymagane dla osób wykonujących poszczególne zadania:

INŻYNIER DS. TECHNOLOGII GAZOWEJ

Posiada specjalistyczne wykształcenie, umiejętności, doświadczenie i wiedzę na temat odpowiednich norm i wytycznych, które umożliwiają mu podejmowanie prac przy systemach kontroli ciśnienia i rozpoznawanie potencjalnych zagrożeń. Inżynierowie ds. technologii gazowej są specjalnie szkoleni pod kątem danego zakładu produkcyjnego i jego specyficznych standardów i wytycznych.

TECHNIK

Posiada specjalistyczne wykształcenie, umiejętności i doświadczenie w zakresie odpowiednich norm i wytycznych, które umożliwiają mu wykonywanie prac przy systemach kontroli ciśnienia i rozpoznawanie potencjalnych zagrożeń.

2.4.2. OSOBY NIEUPOWAŻNIONE



OSTRZEŻENIE!

- **Zagrożenie życia dla osób nieupoważnionych z powodu zagrożeń występujących w na obszarze niebezpiecznym i obszarze pracy!**
- Osoby nieupoważnione, które nie spełniają wymagań opisanych w niniejszej instrukcji, nie znają zagrożeń występujących na obszarze roboczym. W związku z tym osoby nieupoważnione są narażone na ciężkie lub śmiertelne zagrożenia.
- Osoby nieupoważnione nie mogą zbliżyć się do obszaru niebezpiecznego i do obszaru pracy!
- W razie wątpliwości należy zwrócić się do takich osób i wyprowadzić je z obszaru zagrożenia i pracy!
- W przypadku, gdy na obszarze zagrożenia i pracy znajdują się osoby nieupoważnione należy natychmiast przerwać pracę!

2.4.3. SZKOLENIA

Użytkownik musi regularnie szkolić personel. Dla celów poprawnej weryfikacji przeprowadzanych szkoleń należy z każdego szkolenia sporządzać protokół, który będzie zawierał co najmniej następujące elementy:

- Datę szkolenia
- Nazwisko osoby, która została przeszkolona
- Treści szkolenia
- Nazwisko osoby prowadzącej szkolenie
- Podpisy uczestnika szkolenia i osoby prowadzącej szkolenie

2.5. ŚRODKI OCHRONY OSOBISTEJ

Środki ochrony osobistej są używane do ochrony ludzi przed niekorzystnymi wpływami na bezpieczeństwo i zdrowie podczas pracy.

Podczas wykonywania różnych czynności przy urządzeniu personel musi stosować środki ochrony osobistej, które zostały wymienione w poszczególnych rozdziałach niniejszej instrukcji.

APARAT ODDECHOWY, ZALEŻNY OD POWIETRZA W OTOCZENIU



Ochrona przed szkodliwymi gazami, oparami, pyłami i podobnymi substancjami. Sprzęty ochrony dróg oddechowych, takie jak aparat oddechowy na sprężone powietrze, muszą być stosowane zawsze wtedy, gdy nie można zagwarantować, że zawartość tlenu w otoczeniu będzie wynosiła powyżej 17% i/lub nie można wykluczyć przekroczenia dopuszczalnych granic substancji szkodliwych w powietrzu w otoczeniu. Aparat oddechowy niezależny od powietrza w otoczeniu może być noszony tylko przez specjalnie przeszkolony personel.

APARAT ODDECHOWY, ZALEŻNY OD POWIETRZA W OTOCZENIU



Ochrona przed szkodliwymi gazami, oparami, pyłami i podobnymi substancjami. Aparaty oddechowe zależne od powietrza w otoczeniu muszą być stosowane w przypadku, gdy nie można wykluczyć przekroczenia dopuszczalnych wartości granicznych substancji szkodliwych w otaczającym powietrzu. Aparaty oddechowe zależne od powietrza w otoczeniu mogą być używane tylko wtedy, gdy jest zagwarantowane, że zawartość tlenu we wdychanym powietrzu wynosi powyżej 17%.



OKULARY OCHRONNE

Ochrona przed latającymi cząsteczkami i kroplami.



RĘKAWICE OCHRONNE ODPORNE NA SUBSTANCJE CHEMICZNE

Ochrona rąk przed agresywnymi substancjami.
Zawsze należy zapewnić, że rękawice będą szczelne.
Po użyciu rękawice należy prawidłowo zutylizować.



RĘKAWICE OCHRONNE

Ochrona rąk przed czynnikami mechanicznymi oraz gorącymi i zimnymi powierzchniami.



OCHRONA SŁUCHU

Chroni słuch przed zbyt głośnymi dźwiękami i zapobiega urazom akustycznym.

2.6. ZACHOWANIE W PRZYPADKU POŻARU I WYPADKÓW

ŚRODKI ZAPOBIEGAWCZE

- Zawsze należy być przygotowanym na pożar i wypadki!
- Sprzęt pierwszej pomocy (apteczka, koce itp.) i sprzęt gaśniczy muszą być sprawne i zawsze dostępne.
- Personel musi znać zasady i sprzęt do zgłaszania wypadków, udzielania pierwszej pomocy i ratownictwa.
- Drogi dojazdowe dla pojazdów służb ratowniczych muszą być wolne.

DZIAŁANIA W PRZYPADKU WYBUCHU POŻARU I WYPADKÓW

- Jeżeli ie występuje zagrożenie dla własnego zdrowia, wtedy należy ratować osoby znajdujące się na obszarze zagrożenia.
- W razie potrzeby należy rozpocząć udzielanie pierwszej pomocy.
- Należy zgłosić wypadek do straży pożarnej i/lub służb ratowniczych.
- W przypadku wybuchu pożaru: Jeżeli nie ma zagrożenia dla własnego zdrowia, należy gasić pożar używając sprzętu gaśniczego i kontynuować gaszenie do momentu przybycia straży pożarnej.
- Zgłosić wybuch pożaru osobie odpowiedzialnej w miejscu użytkowania urządzenia.
- Uwolnić drogi dojazdowe dla pojazdów ratowniczych.
- Pokierować pojazdy ratownicze do miejsca wypadku.

2.7. OCHRONA ŚRODOWISKA



INFORMACJA!

- **Nieprawidłowa praca z substancjami niebezpiecznymi dla środowiska powoduje zagrożenie dla środowiska!**
- W przypadku nieprawidłowej pracy z substancjami niebezpiecznymi dla środowiska, w szczególności w przypadku nieprawidłowej utylizacji tych substancji, mogą powstać poważne szkody dla środowiska.
- Należy zawsze przestrzegać poniższych wytycznych dotyczących substancji niebezpiecznych dla środowiska i ich utylizacji!
- W przypadku niezamierzonego uwolnienia substancji niebezpiecznych do środowiska, należy natychmiast podjąć odpowiednie środki zaradcze.
- W razie wątpliwości należy poinformować o szkodzie odpowiednie władze lokalne i poprosić o podjęcie odpowiednich działań!

2.8. OZNAKOWANIE



OSTRZEŻENIE!

- **Niebezpieczeństwo w przypadku nieczytelnego oznakowania!**
- Z biegiem czasu naklejki i znaki mogą ulec zabrudzeniu lub w inny sposób stać się nierozpoznawalne.
- W efekcie nie można rozpoznać zagrożeń i nie można przestrzegać niezbędnych wytycznych dotyczących obsługi urządzenia.
- Taka sytuacja stwarza ryzyko obrażeń.
- Wszystkie informacje dotyczące bezpieczeństwa, ostrzeżeń i obsługi muszą być zawsze czytelne. Uszkodzone znaki lub naklejki należy natychmiast wymieniać.

2.8.1. ZNAKI NAKAZU

- Brak znaków nakazu

2.8.2. ZNAKI ZAKAZU

- Brak znaków nakazu

2.8.3. ZNAKI OSTRZEGAWCZE



OSTRZEŻENIE PRZED BUTLAMI
GAZOWYMI



OSTRZEŻENIE PRZED
ATMOSFERĄ WYBUCHOWĄ

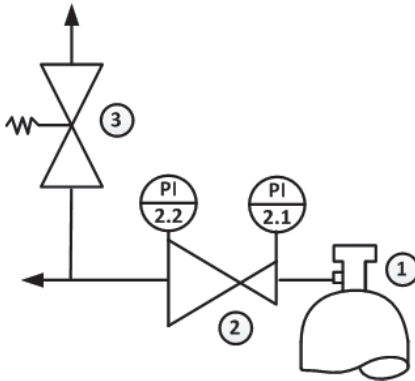


OSTRZEŻENIE PRZED
SUBSTANCJAMI TOKSYCZNYMI
I/ LUB ŻRĄCYMI

3. DANE TECHNICZNE

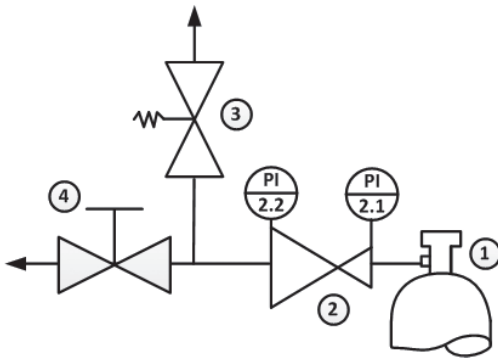
3.1. SCHEMAT ORUROWANIA I OPRZYRZĄDOWANIA - WERSJA JEDNOSTOPNIOWA

C12HV/1



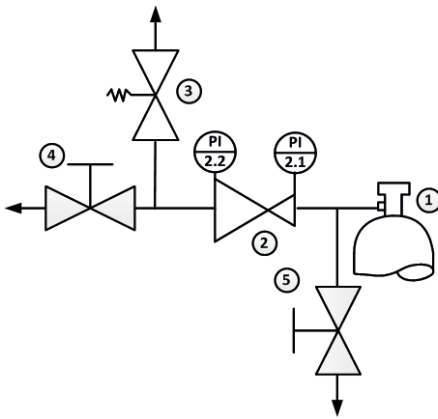
- 1 - BUTLA GAZU
- 2 - REGULATOR CIŚNIENIA
- 3 - ZAWÓR UPUSTOWY

C12HV/1 A



- 1 - BUTLA GAZU
- 2 - REGULATOR CIŚNIENIA
- 3 - ZAWÓR UPUSTOWY
- 4 - ZAWÓR ODCINAJĄCY

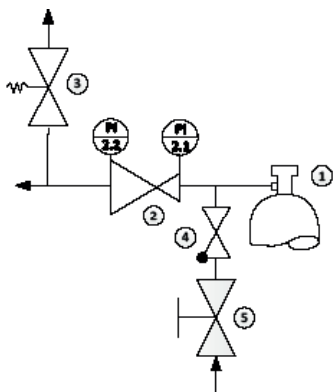
C12HV/1 B



- 1 - BUTLA GAZU
- 2 - REGULATOR CIŚNIENIA
- 3 - ZAWÓR UPUSTOWY
- 4 - ZAWÓR REFULACYJNY
- 5 - ZAWÓR WYLOTOWY

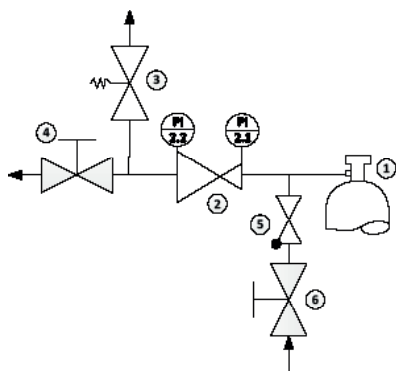
PL

C12HV/1 TP



- 1 - BUTLA GAZU
- 2 - REGULATOR CIŚNIENIA
- 3 - ZAWÓR UPUSTOWY
- 4 - ZAWÓR ZWROTNY
- 5 - ZAWÓR DO PŁUKANIA OBCYM GAZEM

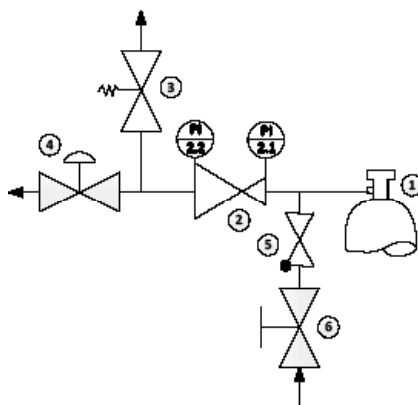
C12HV/ TPA



- 1 - BUTLA GAZU
- 2 - REGULATOR CIŚNIENIA
- 3 - ZAWÓR UPUSTOWY
- 4 - ZAWÓR ODCINAJĄCY
- 5 - ZAWÓR ZWROTNY
- 6 - ZAWÓR DO PŁUKANIA OBCYM GAZEM

PL

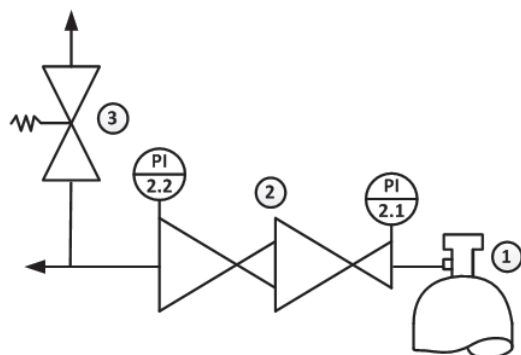
C12HV/ TPB



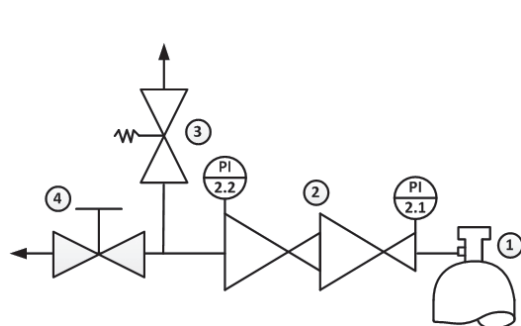
- 1 - BUTLA GAZU
- 2 - REGULATOR CIŚNIENIA
- 3 - ZAWÓR UPUSTOWY
- 4 - ZAWÓR REGULACYJNY
- 5 - ZAWÓR ZWROTNY
- 6 - ZAWÓR DO PŁUKANIA OBCYM GAZEM

3.2. FLOW SCHEME – DUAL STAGE VERSIONS

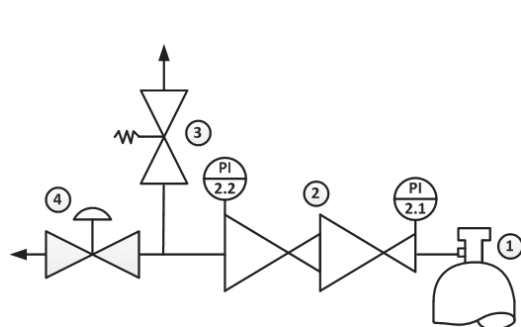
C200HV/2



C200HV/2 A



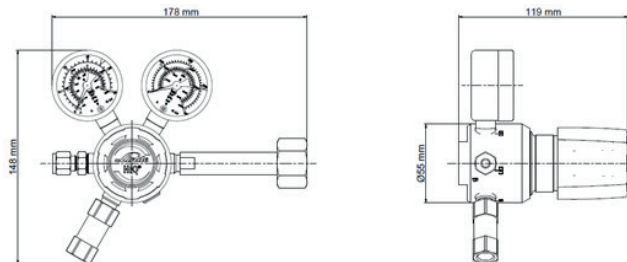
C200HV/2 B



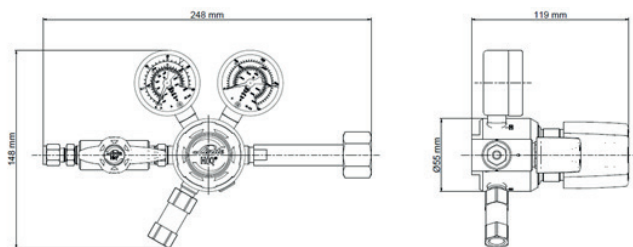
PL

3.3. ARKUSZ WYMIAROWY

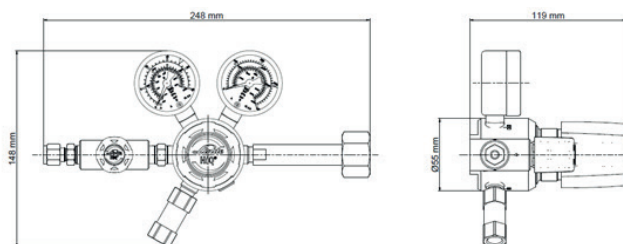
WERSJA JEDNOSTOPNIOWA



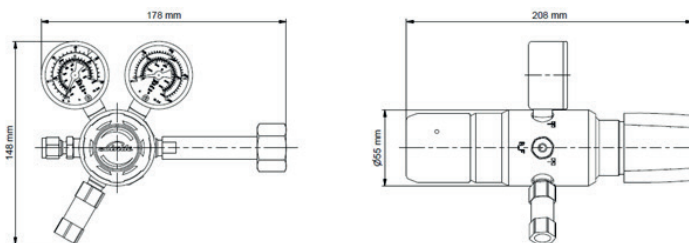
WERSJA A | JEDNOSTOPNIOWA



WERSJA B | JEDNOSTOPNIOWA

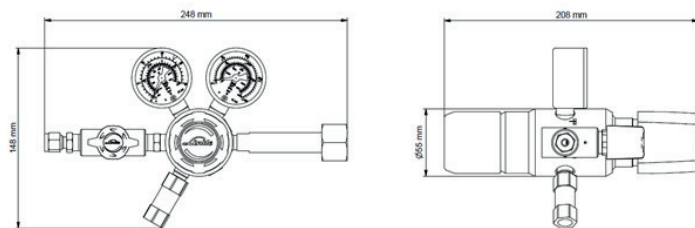


WERSJA DWUSTOPNIOWA

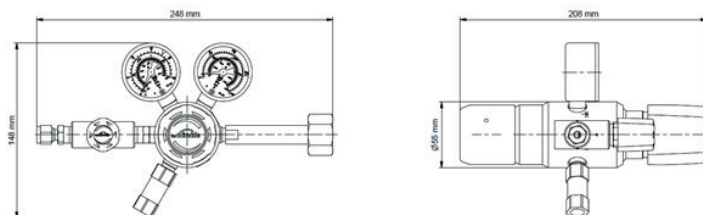


PL

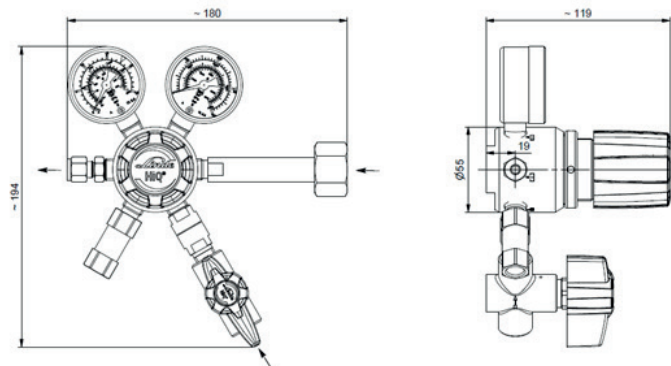
WERSJA A | DWUSTOPNIOWA



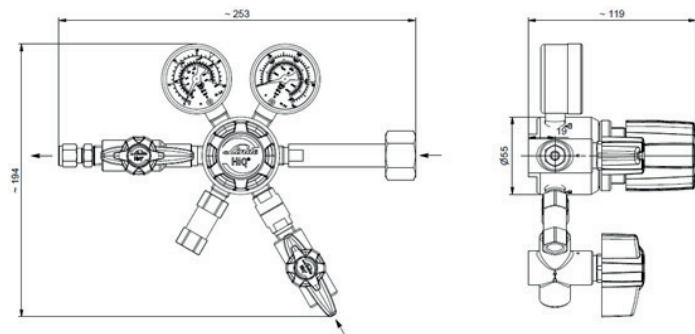
WERSJA B | DWUSTOPNIOWA



WERSJA TP | JEDNOSTOPNIOWA

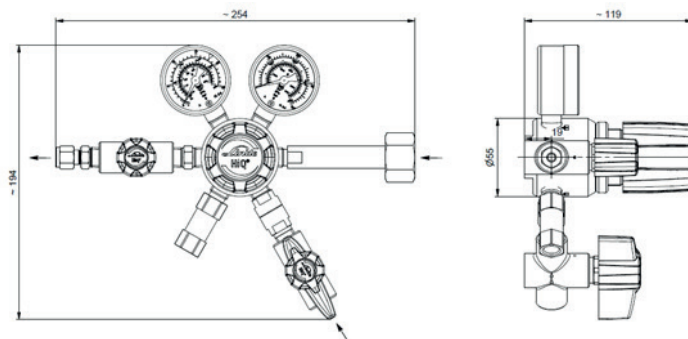


WERSJA TPA | JEDNOSTOPNIOWA



PL

WERSJA TPB | JEDNOSTOPNIOWA



3.4. INFORMACJE OGÓLNE

Dane	Wersja jednostopniowa mosiądz chromowany	Wersja dwustopniowa mosiądz chromowany	Wersja jednostopniowa stal nierdzewna	Wersja dwustopniowa stal nierdzewna
Maks. ciężar [kg]	2,5	3,3	4,04	4,93
Długość [mm]	223	223	263	263
Szerokość [mm]	114	202	114	202
Wysokość [mm]	168	168	168	168

3.5. WARTOŚCI PRZYŁĄCZENIOWE

Dane	Wartość	Jednostka
Włot	DIN477 AFNOR BS CGA itd.	Przyłącza butli gazowych
Wylot	1/8", 1/4", 3/8", 1/2" 3, 6, 8, 10, 12 4,8; 6,4; 8,0	Pierścień zaciskowy, całe Pierścień zaciskowy, mm Końcówka przewodu giętkiego (maks. 15 bar)
Zawór upustowy	1/4"	Pierścienie zaciskowe stalowe

3.6. WARTOŚCI WYDŹNOŚCI

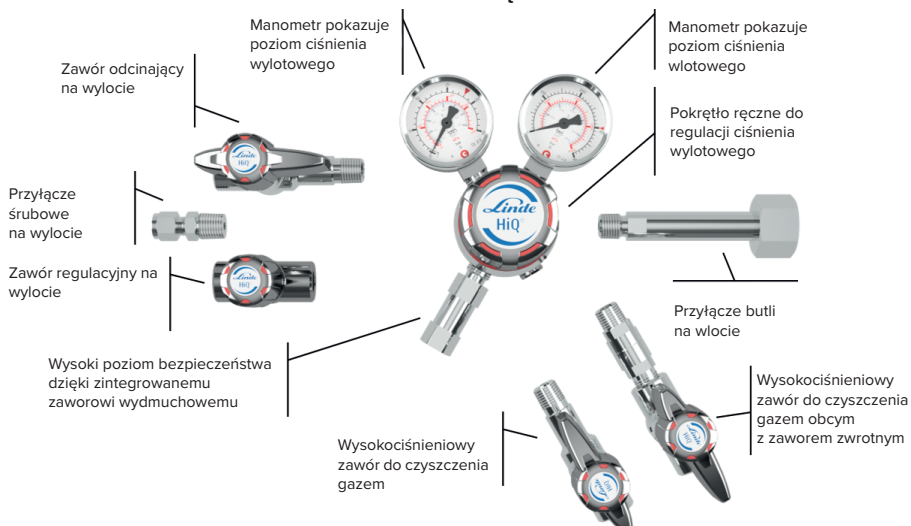
Dane	Wartość	Jednostka
Nominalne natężenie przepływu (ISO 2503)	20 (Sprężone powietrze)	m ³ /h
Ciśnienie wlotowe (maks.)	C12hv - 12 bar C200hv - 200 bar	bar
Ciśnienie wylotowe (maks.)	200 (w zależności od ciśnienia wlotowego)	bar

3.7. WARUNKI PRACY - OTOCZENIE

Dane	Wartość	Jednostka
Zakres temperatur	-20 till +60	°C
Wilgotność względna (maks.)	98	%

4. KONSTRUKCJA I DZIAŁANIE

4.1. WERSJA Z CHROMOWANEGO MOSIĄDZU



4.2. SKRÓCONY OPIS

Regulator ciśnienia w butli jest obsługiwany ręcznie za pomocą pokrętła. Ciśnienie wlotowe i wylotowe można odczytać odpowiednio na manometrze wlotowym i wylotowym. Obsługa regulatora obejmuje także różne elementy dodatkowe:

- Zawór odcinający na wylocie w celu odcięcia ciśnienia wylotowego.
- Zawór regulacyjny na wylocie do kontroli ciśnienia wylotowego.
- Zawór czyszczenia gazem obcym z zaworem zwrotnym do czyszczenia wlotowej strony wysokiego ciśnienia.

PL

5. TRANSPORT, PAKOWANIE I PRZECHOWYWANIE



WSKAZÓWKI I ZALECENIA!

- Montaż i pierwsze uruchomienie najlepiej przeprowadzać przez pracowników producenta lub przez osoby przez niego upoważnione.
- Może się jednak zdarzyć, że podczas montażu i dalszego użytkowania operatorzy lub personel konserwacyjny użytkownika przejmie zadania związane z obsługą paczek. W takiej sytuacji należy bezwzględnie przestrzegać poniższych wytycznych.

5.1. WSKAZÓWKI BEZPIECZEŃSTWA DOTYCZĄCE TRANSPORTU



INFORMACJA!

- ***Szkody rzeczowe na skutek niewłaściwego transportu!***
- W przypadku nieprawidłowego transportu przewożone elementy mogą spaść lub przewrócić się. W ten sposób mogą powstać znaczne szkody rzeczowe.
- Podczas rozładunku transportowanych elementów podczas dostawy i w transporcie wewnątrzzakładowym należy zachować ostrożność oraz przestrzegać symboli i wskazówek podanych na opakowaniu.
- Używać tylko wyznaczonych punktów mocowania.
- Usuwać opakowanie dopiero bezpośrednio przed montażem.

5.2. KONTROLA TRANSPORTU

Natychmiast po otrzymaniu dostawy należy sprawdzić ją pod kątem kompletności i uszkodzeń transportowych. W przypadku uszkodzeń widocznych z zewnątrz należy postępować w następujący sposób:

- Nie przyjmować dostawy lub przyjąć ją tylko z zastrzeżeniami.
- Szczegółowo opisać zakres uszkodzeń na dokumentach przewozowych lub na dowodzie dostawy przewoźnika.
- Rozpocząć procedurę reklamacyjną.



WSKAZÓWKI I ZALECENIA

- Należy zgłaszać wszystkie wady natychmiast po ich wykryciu. Roszczenia gwarancyjne mogą być zgłaszane wyłącznie w okresie gwarancji.

5.3. OPAKOWANIA

Każda paczka jest przygotowywana zgodnie z przewidywanymi warunkami transportu. Do pakowania użyto wyłącznie materiałów przyjaznych dla środowiska.

Opakowanie jest przeznaczone do ochrony poszczególnych elementów przed uszkodzeniami transportowymi, korozją i innymi uszkodzeniami do czasu montażu. Dlatego nie należy niszczyć opakowania i usunąć je dopiero bezpośrednio przed montażem.



WSKAZÓWKA!

- ***Zagrozenie dla środowiska wynikające z nieprawidłowej utylizacji materiałów opakowaniowych!***
- Materiały opakowaniowe są cennymi surowcami i w wielu przypadkach mogą być ponownie wykorzystane lub poddane recyklingowi. Nieprawidłowa utylizacja materiałów opakowaniowych może spowodować zagrożenia dla środowiska.
- Materiały opakowaniowe należy utylizować w sposób przyjazny dla środowiska.
- Należy przestrzegać obowiązujących lokalnie przepisów dotyczących utylizacji. W razie potrzeby należy zlecić utylizację materiałów opakowaniowych specjalistycznej firmie.

5.4. PRZECHOWYWANIE

Opakowania można przechowywać przy zachowaniu następujących warunków:

- Nie przechowywać na zewnątrz.
- Przechowywać miejscu suchym i niezapyłonym.
- Nie wystawiać na działanie agresywnych mediów.
- Chronić przed światłem słonecznym.
- Unikać wstrząsów mechanicznych.
- Temperatura przechowywania: 15 do 35 °C.
- Wilgotność względna: maks. 60 %.
- W przypadku przechowywania przez okres dłuższy niż 3 miesiące należy regularnie sprawdzać ogólny stan wszystkich części i opakowania.
- W razie potrzeby należy odświeżyć lub odnowić zabezpieczenie.



WSKAZÓWKI I ZALECENIA

- Na opakowaniach mogą znajdować się instrukcje dotyczące przechowywania, które wykraczają poza podane wymagania. Należy się do nich odpowiednio stosować.

6. MONTAŻ I PIERWSZE URUCHOMIENIE

6.1. WSKAZÓWKI BEZPIECZEŃSTWA DOTYCZĄCE MONTAŻU I PIERWSZEGO URUCHOMIENIA

PERSONEL

Czynności związane z montażem i pierwszym uruchomieniem mogą być wykonywane wyłącznie przez wykwalifikowany personel.

6.2. CZYNNOŚCI PRZYGOTOWAWCZE

ROZPAKOWYWANIE

- Wszystkie elementy należy rozpakowywać ostrożnie i z rozwagą.
- Należy również usunąć dodatkowe materiały opakowaniowe.
- Sprawdzić wszystkie elementy pod kątem ewentualnych uszkodzeń transportowych.

ROZPRĘŻANIE

- Zmniejszyć ciśnienie gazu w istniejących układach, w razie potrzeby przepłukać gazem obojętnym
- W razie konieczności uciąć rury istniejących układów używając specjalnych narzędzi i unikając odprysków.
- Upewnić się, że części przyłączeniowe są w nienagannym stanie i czyste.

PL

6.3. MONTAŻ

Stosować tylko reduktory ciśnienia z przyłączem do butli zgodnie z różnymi gazami oraz krajowymi i międzynarodowymi wytycznymi (DIN477, CGA, AFNOR itp.).



NIEBEZPIECZEŃSTWO!

- Gwinty zaworu butli i nakrętki złączkowej musi być w idealnym stanie.



OSTRZEŻENIE!

- Zawsze stosować tylko nowe uszczelki. Uszczelki nie mogą być zniekształcone i nie mogą wykazywać żadnych zabrudzeń lub opłatek metalu.
- Stosowanie kilku uszczelki w jednym punkcie uszczelnienia jest niedozwolone. Zużyte uszczelki muszą zostać usunięte.



OSTRZEŻENIE!

- Nie używać przedłużki klucza, ponieważ w ten sposób gwint i uszczelka mogą zostać zniszczone.
- To może prowadzić do nieszczelności, niekontrolowanego wycieku gazu lub wypuszczenia wszystkich zapasów gazu.
- Zużyte uszczelki muszą zostać usunięte.

OSTRZEŻENIE!

- Podczas podłączania lub wymianie butli zawierających gazy trujące lub żrące należy stosować odpowiednie środki ochrony osobistej (ochrona dróg oddechowych, oczu i odzież ochronna).
- Należy przestrzegać wartości MAK (zob. przepisy techniczne dotyczące substancji niebezpiecznych, TRGS 900) oraz przygotować właściwe filtry powietrza. Regulatorów ciśnienia w butlach należy używać tylko z układem oczyszczania gazem.

UWAGA!

- Before connecting the cylinder regulator check type label, if the component is suitable for provided purpose.

6.3.1. CZYNNOSCI PRZYGOTOWAWCZE

Można stosować wyłącznie regulatory ciśnienia z przyłączami do butli zgodnymi z odpowiednimi normami (DIN477, CGA, AFNOR itp.) w zależności od rodzaju zastosowanego gazu.

6.3.2. PODŁĄCZANIE BUTLI GAZOWEJ

Włożyć uszczelkę odpowiednią do danego przyłącza butli i rodzaju gazu.

Najpierw należy ręcznie nakręcić nakrętkę złączkową na przyłączy zaworu w butli.

Zwrócić uwagę na gwinty prawe i lewe!

Zamocować regulator ciśnienia - nie przechylać go!

Dokręcić nakrętkę złączkową za pomocą odpowiedniego klucza płaskiego. Uwaga: Nie używać przedłużki klucza, ponieważ w ten sposób gwint i uszczelka mogą zostać zniszczone. Może to prowadzić do nieszczelności i niekontrolowanego wycieku gazu z instalacji (całkowita utrata gazu!).

W przypadku przyłączy butli z przyłączem ręcznym należy dokręcić nakrętkę złączkową ręcznie.

Uwaga, nie używać kluczy ponieważ mogą one uszkodzić uchwyt przyłącza.



Przewody przyłączeniowe montowane są zazwyczaj za pomocą złączek zaciskowych. W pierwszej kolejności należy usunąć zaślepki z przyłączy. W celu montażu należy całkowicie wsunąć rurę do złączki zaciskowej. Następnie należy ręcznie przykręcić nakrętkę złączkową i dokręcić ją kluczem płaskim (pierwszy montaż 1/4 obrotu dla rurociągów większych niż 1/8 cala i 3/4 obrotu dla rurociągów 1/8 cala lub mniejszych, ponowny montaż 1/4 obrotu dla wszystkich rurociągów). Przewód upustowy jest podłączany do zaworu upustowego w ten sam sposób.

Należy przestrzegać wskazówek producenta oraz przydatności materiałów do określonych gazów i zakresów ciśnienia.

Regulator ciśnienia w butli jest dostępny z maksymalnym ciśnieniem wyjściowym 15 bar z końcówką przewodu giętkiego. Stożkowy kształt końcówki ułatwia podłączenie węża.

Typ TP, TPA, TPB, z zaworem czyszczenia gazem obcym

W przypadku regulatorów ciśnienia w butlach z zaworem czyszczenia gazem obcym (TP, TPA, TPB) należy podłączyć dodatkowy przewód przyłączeniowy dla gazu obcego w sposób opisany powyżej.

6.4. WYMAGANIA DOTYCZĄCE PIERWSZEGO URUCHOMIENIA

- Protokoły z badań rurociągów pod względem szczelności, a w razie potrzeby również wilgotności i cząstek stałych są dostępne.
- Węże gazu procesowego, węże gazu odpowietrzającego i odmulającego, węże zaworu bezpieczeństwa i zaworu zwrotnego, jeśli występują, muszą być podłączone
- W rurociągu gazu technologicznego znajduje się tylko gaz standardowy. (zob. rozdział 1.2)
- Uruchomienie może być przeprowadzane wyłącznie przez przeszkolony i wykwalifikowany personel.
- Musi on nosić odzież ochronną wymaganą przez odpowiednie przepisy.
- Stosować wyłącznie nieiskrzące narzędzia i przygotować je przed montażem.
- Przed pierwszym użyciem urządzenia należy zapoznać się z tabliczką znamionową i sprawdzić, czy regulator ciśnienia w butli jest odpowiedni do zamierzonego zastosowania (gaz, ciśnienie, materiał itp.)
- W przypadku stosowania gazów korozyjnych, toksycznych oraz regulatorów ciśnienia w butlach ze stali nierdzewnej (TP, TPA, TPB, EP, EPA i/ albo EPB, należy przed uruchomieniem wyczyścić układ gazem obcym stosując gaz obojętny (patrz punkt 6.5.2).

6.5. PIERWSZE URUCHOMIENIE

- Wszystkie warunki wstępne, opisane w punkcie 6.4 zostały spełnione.
- Regulator ciśnienia w butli jest rozprężony (zamknięty), tzn. pokrętko jest całkowicie wykręcone (w lewo).
- W przypadku stosowania gazu korozyjnego i/lub trującego oraz wersji regulatora ciśnienia w butli ze stali nierdzewnej (TP, TPA, TPB),
- należy przed uruchomieniem wyczyścić układ gazem obcym stosując gaz obojętny (patrz punkt 6.5.2).



OSTRZEŻENIE!

- Należy bezwzględnie uważać, aby na zawór nie działało ciśnienie przekraczające dopuszczalne ciśnienie robocze.

6.5.1. NAPEŁNIANIE RUROCIĄGU GAZU TECHNOLOGICZNEGO GAZEM TECHNOLOGICZNYM

Ustawić żądane ciśnienie wyjściowe, powoli obracając pokrętko regulatora ciśnienia zgodnie z ruchem wskazówek zegara zestaw. Teraz regulator ciśnienia w butli jest gotowy do pracy. Zaleca się codzienne kontrole regulatora ciśnienia oraz codzienne sprawdzanie wartości ciśnień.

6.5.2. WYMIANA BUTLI

W przypadku stosowania gazu korozyjnego i/lub trującego oraz wersji regulatora ciśnienia w butli ze stali nierdzewnej (TP, TPA, TPB), należy przed uruchomieniem wyczyścić układ gazem obcym stosując gaz obojętny (patrz punkt 6.5.2).

PL



WSKAZÓWKA!

- Do czyszczenia gazem obojętnym należy używać suchego i czystego gazu. Zalecamy aby stopień czystości gazu był odpowiedni dla danego zastosowania.



WARNING!

- During changing gas cylinders with toxic or corrosive gas consider personal safety provisions (breathing protection, eye protection, protective clothes).
- Consider MAK-values (see technical rules for hazardous material, TRGS 900), choose correct respirator filter.



NIEBEZPIECZEŃSTWO!

Jeżeli z butli gazowej pod ciśnieniem są pobierane toksyczne i/lub żrące gazy, wtedy przed wymianą pustej butli należy wyczyścić układ gazem obcym stosując gaz obojętny (czyszczenie gazem obcym). W ten sposób resztki gazu znajdujące się w układzie zostaną usunięte przez przewód gazu czyszczącego.

CZYNNOŚCI PRZYGOTOWAWCZE

1. Mocno zamknąć zawór butli gazowej.
2. Całkowicie opróżnić regulator ciśnienia. Wskazówki manometru wlotowego i wylotowego muszą wskazywać wartość „0”.
3. Obrócić pokrętko regulatora ciśnienia do oporu w kierunku przeciwnym do ruchu wskazówek zegara - w ten sposób regulator zostaje zamknięty. Zamknąć zawór odcinający na wylocie lub zawór regulujący (jeżeli występuje).
4. W przypadku wersji P, TP, TPA, TPB należy najpierw przeprowadzić procedurę czyszczenia lub rozprężania

PROCEDURA CZYSZCZENIA GAZEM OBCYM

Proces czyszczenia w przypadku regulatorów ciśnienia w butlach z zaworem do czyszczenia gazem obcym po stronie wysokiego ciśnienia (TP, TPA, TPB)

A A Sprawdzić, czy wlot gazu czyszczącego i wylot gazu technologicznego zostały prawidłowo podłączone.

B Zamknąć wszystkie zawory.

C Zamknąć regulator ciśnienia, obracając pokrętko w kierunku przeciwnym do ruchu wskazówek zegara.

D Otworzyć zawór czyszczenia gazem obcym.

E Zamknąć zawór czyszczenia gazem obcym.

F Na chwilę otworzyć regulator ciśnienia i zawór odcinający lub regulujący na wylocie i pozwolić, aby gaz oczyszczający wyostał się przez wylot regulatora ciśnienia w butli.

G Zamknąć regulator ciśnienia w butli i zawór odcinający lub regulacyjny na wylocie.

Aby uzyskać doskonały efekt oczyszczania należy powtórzyć kroki D - G 10 razy.

5. Poluzować kluczem nakrętkę złączkową na butli z gazem. W przypadku przyłącza ręcznego należy ręcznie poluzować nakrętkę złączkową.
6. Podłączyć nowe butle w sposób opisany powyżej (zob. punkt 6.3.1).

6.5.3. WYŁĄCZENIE Z EKSPLOATACJI

W przypadku stosowania gazu korozyjnego i/lub trującego oraz wersji regulatora ciśnienia w butli ze stali nierdzewnej (TP, TPA, TPB, EP, EPA i / albo EPB), należy przed uruchomieniem wyczyścić układ gazem obcym stosując gaz obojętny (patrz punkt 6.5.2).



UWAGA!

- Podczas demontażu należy zasadniczo przestrzegać następujących wskazówek: Rozprężyć regulator ciśnienia i przewody usuwając gaz przez urządzenie odbiorcze. Wskazówki manometrów ciśnienia wejściowego i wyjściowego muszą wskazywać wartość "0".
 - W przypadku gazów korozyjnych lub toksycznych należy przepłukać wszystkie elementy gazem obojętnym.
 - Należy zapewnić właściwe środki ochrony osobistej (ochrona dróg oddechowych, oczu i odzież ochronna).
 - Należy przestrzegać wartości MAK (zob. przepisy techniczne dotyczące substancji niebezpiecznych, TRGS 900) oraz przygotować właściwe filtry powietrza.
1. Mocno zamknąć zawór butli gazowej.
 2. Całkowicie opróżnić regulator ciśnienia. Wskazówki manometru wlotowego i wylotowego muszą wskazywać wartość „0”.
 3. Obrócić pokrętko regulatora ciśnienia do oporu w kierunku przeciwnym do ruchu wskazówek zegara - w ten sposób regulator zostaje zamknięty.
 4. Zamknąć zawór odcinający na wylocie lub zawór regulujący (jeżeli występuje).
 5. W przypadku wersji P, TP, TPA, TPB, EP, EPA i/lub EPB należy najpierw przeprowadzić procedurę czyszczenia lub rozprężania (zob. punkt 6.5.2).
- Zamknąć regulator ciśnienia w butli, obracając pokrętko regulatora ciśnienia w kierunku przeciwnym do ruchu wskazówek zegara.
 - Rozprężyć rurociąg!
 - Teraz regulator ciśnienia w butli został wyłączony. Teraz można przeprowadzać prace naprawcze i konserwacyjne.

6.6. KONTROLE

- Po napełnieniu ciśnieniem należy sprawdzić działanie regulatora ciśnienia.
- Sprawdzić szczelność zaworu upustowego.

7. PRACA URZĄDZENIA

Zgodnie z rozdziałem 2.1 regulator ciśnienia w butli jest przeznaczony do pracy z gazami standardowymi.



UWAGA!

- Zawory ręczne muszą być zawsze otwierane powoli i ostrożnie, aby w ten sposób uniknąć skoków ciśnienia w układzie aby chronić inne komponenty.

W celu krótkotrwałego przerwania poboru gazu wystarczy zamknąć zawór odcinający lub regulacyjny na reduktorze. Przy dłuższych przerwach w pracy regulator musi być pozbawiony ciśnienia poprzez obrót pokrętkła w kierunku przeciwnym do ruchu wskazówek zegara. Ze względów bezpieczeństwa należy zamknąć zawór butli.

8. KONSERWACJA

8.1. WSKAZÓWKI BEZPIECZEŃSTWA DOTYCZĄCE KONSERWACJI



INFORMACJA!

- Prace konserwacyjne mogą być przeprowadzane wyłącznie przez wykwalifikowany, przeszkolony i autoryzowany personel. (zob. rozdział 2.4).

8.2. PLAN KONSERWACJI

W poniższych rozdziałach opisano czynności konserwacyjne wymagane do optymalnej i bezawaryjnej pracy urządzenia. W przypadku, gdy podczas regularnych kontroli zostanie stwierdzone zwiększone zużycie, wtedy należy skrócić wymagane okresy między przeglądami konserwacyjnymi odpowiednio do rzeczywistego zużycia



WSKAZÓWKA!

- W przypadku pytań dotyczących prac konserwacyjnych i częstotliwości przeglądów należy skontaktować się z działem obsługi klienta.

PL

Okres	Czynność konserwacyjna	Personel
Co tydzień	Kontrola wzrokowa wszystkich komponentów	Osoba wykwalifikowana (TRBS 1203)
Raz w roku	Kontrola działania i szczelności, kontrola wszystkich części istotnych dla bezpieczeństwa	Osoba wykwalifikowana (TRBS 1203)
Co 10 lat	Generalny przegląd i wymiana wszystkich części eksploatacyjnych	Osoba wykwalifikowana (TRBS 1203)

8.3. PRACE KONSERWACYJNE

8.3.1. CZYSZCZENIE



UWAGA!

- Stosowane środki czyszczące muszą być odpowiednie do materiałów w których będą mieć styczność.

8.3.2. WARUNKI WSTĘPNE DOTYCZĄCE KONSERWACJI

PRZED ROZPOCZĘCIEM KONSERWACJI NALEŻY SPRAWDZIĆ, CZY

- Dopływ gazu został odcięty i zabezpieczony przed ponownym włączeniem
- Stacja redukcji ciśnienia nie jest pod ciśnieniem
- Regulator ciśnienia nie jest pod ciśnieniem
- Zawór jest zamknięty
- W układzie nie występuje gaz technologiczny
- Układ został przepłukany gazem obojętnym

8.3.3. NIEZBĘDNY SERWIS KONSERWACYJNY

- Kontrola dokładności wyświetlania wartości wskazań dla wskaźników ciśnienia.
- Stacja redukcji ciśnienia, regulator ciśnienia, zawory i wskaźniki ciśnienia: Kontrola działania, stanu i oznakowania.
- Kontrola oznakowania.
- Kontrola pod kątem korozji.
- Kontrola działania.
- Próba szczelności z 1-krotnym ciśnieniem roboczym przez okres 12 godzin.
- Zużyte i uszkodzone elementy należy natychmiast wymienić, a te prace należy zlecić autoryzowanej firmie specjalistycznej.
- Zawory zostały zaprojektowane zgodnie z normą ISO 10297. Norma obejmuje badanie typu, w którym zawór został poddany testowi trwałości do 2000 cykli. Po 2000 cyklach należy wymienić części wewnętrzne, które mają kontakt z medium. Te prace należy zlecić autoryzowanej firmie specjalistycznej.
- W przypadku stwierdzenia nieszczelności lub nadmiernej korozji w stacji redukcji ciśnienia, na regulatorach ciśnienia lub zaworach, należy w całości wymienić te części na obszarze do najbliższego połączenia, które można rozłączyć. Te prace należy zlecić autoryzowanej firmie specjalistycznej.
- Po wymianie komponentów lub części rurociągów należy ponownie wykonać próby ciśnieniowe i sporządzić odpowiednie protokoły.

PL

8.4. DZIAŁANIA PO KONSERWACJI

PO ZAKOŃCZENIU PRAC KONSERWACYJNYCH I PRZED PONOWNYM URUCHOMIENIEM STACJI REDUKCJI CIŚNIENIA, REGULATORA CIŚNIENIA LUB ZAWORU NALEŻY WYKONAĆ NASTĘPUJĄCE CZYNNOŚCI:

1. Upewnić się, że wszystkie użyte narzędzia, materiały i inne urządzenia zostały usunięte z obszaru pracy.
2. Wyczyścić miejsce pracy i usunąć wszystkie, ewentualnie rozlane substancje (np. Ciecze, użyte materiały itp.).
3. Upewnić się, że wszystkie instalacje bezpieczeństwa układu działają prawidłowo.

9. USTERKI

W poniższym rozdziale opisano możliwe przyczyny usterek oraz czynności, które należy wykonać w celu ich usunięcia. W przypadku częstszego występowania usterek należy skrócić okresy pomiędzy konserwacjami i dostosować je do rzeczywistego obciążenia. W przypadku usterek, których nie można usunąć za pomocą wskazówek podanych poniżej, należy skontaktować się z producentem.

9.1. WSKAZÓWKI BEZPIECZEŃSTWA DOTYCZĄCE USUWANIA USTEREK

W przypadku usterek należy zawsze odłączyć dopływ gazu, rozprężyć regulator ciśnienia i zamknąć zawory. Nigdy nie przeprowadzać prac konserwacyjnych na elementach znajdujących się pod ciśnieniem.

SPOSÓB POSTĘPOWANIA W PRZYPADKU USTEREK I AWARII:

1. Odciąć dopływ gazu i zabezpieczyć przed ponownym włączeniem.
2. Rozprężyć regulator ciśnienia, zamknąć zawory.
3. Usterki mogą być usuwane wyłącznie przez wykwalifikowany personel.
4. Przywrócić urządzenie do stanu początkowego.

Opis	Przyczyna	Rozwiązanie	Zawory	Regulator ciśnienia butli	Regulator ciśnienia	Stacje redukcji ciśnienia
Brak przepływu (manometr na wejściu wskazuje ciśnienie, natomiast manometr na wyjściu nie pokazuje ciśnienia)	Regulator ciśnienia jest zamknięty	Powoli otworzyć regulator ciśnienia. Zamknąć zawór płuczący.		<input checked="" type="checkbox"/>	<input checked="" type="checkbox"/>	<input checked="" type="checkbox"/>
Brak przepływu (obydwa manometry nie wskazują ciśnienia)	Zawór ciśnienia butli jest zamknięty. Zawór gazu użytkowego jest zamknięty. Regulator ciśnienia jest zamknięty. Przełącznik/wąż nie jest podłączony.	Uruchomić zgodnie z opisem w punkcie 6 „Montaż i pierwsze uruchomienie”		<input checked="" type="checkbox"/>	<input checked="" type="checkbox"/>	<input checked="" type="checkbox"/>
Brak przepływu.	Regulator ciśnienia jest zamknięty	Powoli otworzyć regulator ciśnienia	<input checked="" type="checkbox"/>			
Ciśnienie wyjściowe wzrasta i zawór upustowy otwiera się.	Nieszczelność w gnieździe regulatora ciśnienia.	Zlecić naprawę producentowi		<input checked="" type="checkbox"/>	<input checked="" type="checkbox"/>	<input checked="" type="checkbox"/>
Niewielki wzrost ciśnienia wyjściowego, zawór upustowy nie otwiera się	Spadek ciśnienia wejściowego	To nie jest usterka, lecz normalny stan roboczy		<input checked="" type="checkbox"/>	<input checked="" type="checkbox"/>	<input checked="" type="checkbox"/>
Nieznaczny wzrost ciśnienia wyjściowego.	Różnica pomiędzy ciśnieniem przepływu (z przepływem) a ciśnieniem dynamicznym (bez przepływu)	To nie jest usterka, lecz normalny stan roboczy		<input checked="" type="checkbox"/>	<input checked="" type="checkbox"/>	<input checked="" type="checkbox"/>

PL

Opis	Przyczyna	Rozwiązanie	Zawory	Regulator ciśnienia butli	Regulator ciśnienia	Stacje redukcji ciśnienia
Nieznaczny spadek ciśnienia wyjściowego	Różnica pomiędzy ciśnieniem dynamicznym (bez przepływu) a ciśnieniem przepływu (z przepływem)	To nie jest usterka, lecz normalny stan roboczy		<input checked="" type="checkbox"/>	<input checked="" type="checkbox"/>	<input checked="" type="checkbox"/>
Znaczny spadek ciśnienia wyjściowego	Wymagane natężenie przepływu jest za duże dla regulatora ciśnienia	Wybrać nowy regulator ciśnienia odpowiedni dla wymaganego ciśnienia i przepływu		<input checked="" type="checkbox"/>	<input checked="" type="checkbox"/>	<input checked="" type="checkbox"/>
Znaczny spadek ciśnienia wyjściowego	Nieszczelny rurociąg z gazem technologicznym	Sprawdzić rurociąg z gazem technologicznym		<input checked="" type="checkbox"/>	<input checked="" type="checkbox"/>	<input checked="" type="checkbox"/>
Za wysokie ciśnienie na wyjściu	Nieprawidłowe ustawienie regulatora ciśnienia	Ustawić regulator ciśnienia, wyregulować go, konserwacja regulatora		<input checked="" type="checkbox"/>	<input checked="" type="checkbox"/>	<input checked="" type="checkbox"/>
Ciśnienie wyjściowe wzrasta natychmiast do maksimum lub ciśnienie wyjściowe wzrasta powoli ponad ustawioną wartość, a zawór upustowy otwiera się	Zanieczyszczone lub uszkodzone gniazdo "Steiger"	Zlecić naprawę producentowi		<input checked="" type="checkbox"/>	<input checked="" type="checkbox"/>	<input checked="" type="checkbox"/>
Odgłosy podczas pracy	Wymagane natężenie przepływu jest za duże dla regulatora ciśnienia	Wybrać nowy regulator ciśnienia odpowiedni dla wymaganego ciśnienia i przepływu		<input checked="" type="checkbox"/>	<input checked="" type="checkbox"/>	<input checked="" type="checkbox"/>

Opis	Przyczyna	Rozwiązanie	Zawory	Regulator ciśnienia butli	Regulator ciśnienia	Stacje redukcji ciśnienia
Obrót kołem ręcznym nie powoduje zmiany sterowania zaworem	Zbyt wysoki moment obrotowy uszkodził koło ręczne, uszkodzone wrzeciono, uszkodzony gwint	Zlecić naprawę producentowi	☑	☑	☑	☑
Wilgoć na regulatorze ciśnienia (NIE CHODZI o rosę, deszcz lub śnieg)	Rozprężanie gazu powoduje, że regulator ciśnienia zbiera energię z otoczenia	To nie jest usterka, lecz normalny stan roboczy		☑	☑	☑
Na regulatorze ciśnienia powstaje lód (NIE CHODZI o rosę, deszcz lub śnieg)	Rozprężanie gazu powoduje, że regulator ciśnienia zbiera energię z otoczenia, ograniczony dopływ gazu z butli (np. N ₂ O, CO ₂)	To nie jest usterka, lecz normalny stan roboczy. UWAGA: sprawdzić działanie manometrów kontaktowych, zwiększyć ilość butli z gazem		☑	☑	☑

Powyższa tabela nie wyczerpuje wszystkich możliwości. W przypadku pytań i niejasności prosimy o kontakt z producentem.

10. DEMONTAŻ I UTYLIZACJA

PL

Po zakończeniu okresu użytkowania urządzenia należy je zdemontować i zutylizować w sposób przyjazny dla środowiska.

10.1. WSKAZÓWKI BEZPIECZEŃSTWA DOTYCZĄCE DEMONTAŻU I UTYLIZACJI



OSTRZEŻENIE!

- **Niebezpieczeństwo obrażeń w wyniku nieprawidłowego demontażu!**
- Zgromadzone energie resztkowe, elementy z narożnikami czy ostrymi krawędziami na i w urządzeniu lub na wymaganych narzędziach specjalnych mogą powodować obrażenia.
- Przed rozpoczęciem pracy należy upewnić się, że dostępna jest wystarczająca ilość miejsca.
- Z elementami o ostrych krawędziach należy postępować ostrożnie.
- W miejscu pracy należy zachować porządek i czystość.
- Luźne elementy i narzędzia leżące na sobie lub wokół siebie stanowią źródło wypadków.
- Elementy konstrukcyjne należy prawidłowo zdemontować. Należy pamiętać, że niektóre elementy są ciężkie. W razie potrzeby należy używać urządzeń dźwigowych.
- Zabezpieczyć elementy tak, aby nie spadły lub nie przewróciły się.
- W razie wątpliwości należy skonsultować się z producentem.

10.2. DEMONTAŻ

PRZED ROZPOCZĘCIEM DEMONTAŻU

Zamknąć regulator ciśnienia w butli przekręcając pokrętkę w kierunku przeciwnym do ruchu wskazówek zegara.

Teraz należy rozprężyć regulator ciśnienia oraz upewnić się, że w środku nie ma już gazu technologicznego. Rozprężyć układ i, jeśli to konieczne, przedmuchać go gazem obojętnym.

Usunąć materiały eksploatacyjne i pomocnicze oraz resztki materiałów po obróbce i zutylizować je w sposób przyjazny dla środowiska.

Następnie należy prawidłowo oczyścić zespoły i komponenty oraz rozłożyć je na części je zgodnie z obowiązującymi lokalnymi przepisami bezpieczeństwa pracy i ochrony środowiska.



OSTRZEŻENIE!

- **Nie otwierać układu w którym nadal znajduje się toksyczny i/lub żrący gaz!**

10.3. UTYLIZACJA

Jeżeli nie została zawarta umowa o odbiorze lub utylizacji, wtedy należy przekazać elementy rozebrane na części do recyklingu.

Elementy metalowe należy zezłomować.

Elementy plastikowe należy przekazać do recyklingu.

Pozostałe komponenty należy utylizować według składu ich materiałów.

Zgodnie z artykułem 33 rozporządzenia REACH, spółka GCE, s.r.o., jako odpowiedzialny producent, zobowiązuje się do informowania wszystkich klientów o przypadkach, w których materiały zawierają 0,1% lub więcej substancji wzbudzających szczególnie duże obawy (SVHC) podanych na liście.

Stopy mosiądzu, najczęściej używane do produkcji korpusów i innych elementów mosiężnych, zawierają 2-3% ołowiu (Pb), nr WE 231-468-6, nr CAS 7439-92-1. Podczas normalnego użytkowania ołów nie jest uwalniany do gazu ani do środowiska. Po zakończeniu okresu użytkowania, produkt musi zostać zutylizowany przez certyfikowaną firmę zajmującą się recyklingiem metali, aby w ten sposób zapewnić skuteczną utylizację materiału przy minimalnym wpływie na środowisko i zdrowie.

Do chwili obecnej nie posiadamy informacji wskazujących, że w produktach GCE są zawarte materiały o stężeniu SVHC powyżej 0,1%.

PL



WSKAZÓWKA!

- **Zagrożenie dla środowiska wynikające z nieprawidłowej utylizacji materiałów opakowaniowych!**
- Nieprawidłowa utylizacja może spowodować zagrożenia dla środowiska.
- Złom elektryczny, części elektroniczne, smary i inne materiały pomocnicze należy przekazać do autoryzowanych firm specjalistycznych.
- W razie wątpliwości należy skonsultować się w kwestii utylizacji przyjaznej dla środowiska z miejscowym urzędem lub specjalistyczną firmą recyklingową.

www.linde.com

Niniejsze artykuły te zostały wyprodukowane na zlecenie firmy Linde.

PL

OBSAH

1. OBECNĚ	260
1.1. INFORMACE O NÁVODU K POUŽITÍ	260
1.2. INFORMACE O LAHVOVÉM REDUKČNÍM VENTILU	260
1.3. VYSVĚTLENÍ SYMBOLŮ	261
1.4. OMEZENÍ ODPOVĚDNOSTI	262
1.5. AUTORSKÉ PRÁVO	262
1.6. NÁHRADNÍ DÍLY	262
1.7. ZÁRUČNÍ PODMÍNKY	262
1.8. ZÁKAZNICKÝ SERVIS	262
2. BEZPEČNOST	262
2.1. ÚČEL POUŽITÍ	262
2.1.1. KONSTRUKČNÍ ZMĚNY LAHVOVÉHO REDUKČNÍHO VENTILU	263
2.2. ZÁKLADNÍ RIZIKA	263
2.3. ODPOVĚDNOST PROVOZOVATELE	264
2.4. POŽADAVKY NA PERSONÁL	265
2.4.1. KVALIFIKACE	265
2.4.2. NEOPRÁVNĚNÝ PERSONÁL	265
2.4.3. ŠKOLENÍ	265
2.5. OSOBNÍ OCHRANNÉ PRACOVNÍ POMŮCKY	265
2.6. CHOVÁNÍ V PŘÍPADĚ POŽÁRU NEBO NEHODY	266
2.7. OCHRANA ŽIVOTNÍHO PROSTŘEDÍ	266
2.8. ZNAČENÍ	267
2.8.1. PŘÍKAZOVÉ ZNAČKY	267
2.8.2. ZÁKAZOVÉ ZNAČKY	267
2.8.3. VÝSTRAŽNÉ ZNAČKY	267
3. TECHNICKÉ ÚDAJE	268
3.1. SCHÉMA PRŮTOKU – JEDNOSTUPŇOVÉ VERZE	268
3.2. SCHÉMA PRŮTOKU – DVOUSTUPŇOVÉ VERZE	270
3.3. ROZMĚROVÝ LIST	271
3.4. OBECNÉ ÚDAJE	273
3.5. PŘIPOJOVACÍ ROZMĚRY	273
3.6. PRŮTOK REDUKČNÍM VENTILEM	273
3.7. PROVOZNÍ PODMÍNKY	273
4. NASTAVENÍ A FUNKCE	274
4.1. PŘEHLED – MOSAZNÁ CHROMOVANÁ VERZE	274
4.2. STRUČNÝ POPIS	274
5. DOPRAVA, BALENÍ A SKLADOVÁNÍ	274
5.1. BEZPEČNOSTNÍ INFORMACE PRO PŘEPRAVU	274
5.2. KONTROLA PŘI PŘEPRAVĚ	274
5.3. BALENÍ	275
5.4. SKLADOVÁNÍ	275
6. INSTALACE A PRVNÍ UVEDENÍ DO PROVOZU	275
6.1. BEZPEČNOSTNÍ POZNÁMKY PRO INSTALACI A PRVNÍ UVEDENÍ DO PROVOZU	275
6.2. PŘÍPRAVA	275
6.3. INSTALACE	275
6.3.1. PŘÍPRAVA	276
6.3.2. PŘIPOJENÍ PLYNOVÉ LAHVE	276
6.4. POŽADOVANÁ KVALIFIKACE PRO PRVNÍ UVEDENÍ DO PROVOZU A VÝMĚNU LAHVÍ	277
6.5. PRVNÍ UVEDENÍ DO PROVOZU	277
6.5.1. NAPLNĚTE POTRUBÍ PROCESNÍM PLYNEM	277
6.5.2. VÝMĚNA TLAKOVÉ LAHVE	277
6.5.3. VÝRAZENÍ PŘÍVODU PLYNU Z PROVOZU	278
6.6. TESTY	278
7. PROVOZ	278

8. ÚDRŽBA.....	279
8.1. BEZPEČNOST PRÁCE PŘI ÚDRŽBĚ.....	279
8.2. PLÁN ÚDRŽBY.....	279
8.3. ÚDRŽBA.....	279
8.3.1. ČISTĚNÍ.....	279
8.3.2. POŽADAVKY NA ÚDRŽBU.....	279
8.3.3. NEZBYTNÁ ÚDRŽBA.....	279
8.4. OPATŘENÍ PRO ÚDRŽBU.....	280
9. ODSTRAŇOVÁNÍ ZÁVAD.....	280
9.1. BEZPEČNOST PRÁCE PŘI ODSTRAŇOVÁNÍ ZÁVAD.....	280
10. DEMONTÁŽ A LIKVIDACE.....	282
10.1. BEZPEČNOST PRÁCE PŘI DEMONTÁŽI A LIKVIDACI.....	282
10.2. DEMONTÁŽ.....	283
10.3. LIKVIDACE.....	283

1. OBECNĚ

1.1. INFORMACE O NÁVODU K POUŽITÍ

Tento návod je určen pouze pro použití těchto lahvových redukčních ventilů:

- C12hv
- C200hv

Tento typ redukčního ventilu je vhodný k přímému připojení k tlakové lahvi a ke snížení tlaku v lahvi na nižší výstupní tlak. Lahvové přípojky mají podle národních norem (DIN 477, CGA, AFNOR atd.) a druhu plynu různé závit. Pozor!

Tento návod vám umožní bezpečné a efektivní ovládání redukčního ventilu. Návod je jeho nedílnou součástí a musí být vždy uložen u systému a neustále v dosahu personálu.

Před zahájením jakékoli práce si musí obsluha tento návod pečlivě přečíst a porozumět jeho obsahu. Dodržování všech bezpečnostních informací a pokynů pro provoz, které jsou obsaženy v tomto návodu, je nezbytné pro zajištění bezpečné práce.

Dodržujte také místní předpisy pro prevenci úrazů a obecné bezpečnostní předpisy pro používání tlakových zařízení.

Obrázky v tomto návodu mají zajistit základní porozumění funkčnosti ventilu a od skutečného provedení se mohou lišit.

1.2. INFORMACE O LAHVOVÉM REDUKČNÍM VENTILU

Lahvové redukční ventily tohoto typu jsou vhodné pouze pro plyny definované jako standardní plyn.

Maximální pracovní tlak pro C12hv je max. 12 barů a pro C200hv max. 200 barů.

CS

Výrobní řada	Řada DruvaPUR (čistota 6.0 chromovaná mosaz)	Řada DruvaPUR (čistota 6.0 nerezová ocel)
<p>Tlaková pojistka s FKM sedlem</p> <p>(**) = (v případě pochybností se zeptejte)</p>	<ul style="list-style-type: none"> • Vhodné plyny (včetně jejich směsí) <ul style="list-style-type: none"> • Vysoce čisté • Inertní • Hořlavé • Oxidující • O₂ • Nevhodné plyny (včetně jejich směsí) <ul style="list-style-type: none"> • Korozivní • Toxické • CO₂, N₂O 	<ul style="list-style-type: none"> • Vhodné plyny (včetně jejich směsí) <ul style="list-style-type: none"> • Vysoce čisté • Inertní • Hořlavé • Oxidující • Korozivní (**) • Toxické (**) • O₂ do 200 barů • Nevhodné plyny (včetně jejich směsí) <ul style="list-style-type: none"> • O₂ • CO₂, N₂O • NH₃, SO₂, H₂S
<p>Tlaková pojistka s EPDM sedlem</p> <p>(**) = (v případě pochybností se zeptejte)</p>	<ul style="list-style-type: none"> • Vhodné plyny (včetně jejich směsí) <ul style="list-style-type: none"> • Vysoce čisté • Inertní • Hořlavé • Oxidující • O₂, N₂O • Nevhodné plyny (včetně jejich směsí) <ul style="list-style-type: none"> • Korozivní • Toxické • O₂ (podíl vyšší než 21%) • Uhlovodíky 	<ul style="list-style-type: none"> • Vhodné plyny (včetně jejich směsí) <ul style="list-style-type: none"> • Vysoce čisté • Inertní • Hořlavé • Oxidující • Korozivní (**) • Toxické (**) • CO₂, N₂O • NH₃, SO₂, H₂S • Nevhodné plyny (včetně jejich směsí) <ul style="list-style-type: none"> • O₂ (podíl vyšší než 21%) • Uhlovodíky

Tato tabulka není v žádném případě úplná. Při dotazech a nejasnostech kontaktujte prosím výrobce.

Jednostupňový a dvoustupňový redukční ventil s kovovou membránou a 6 porty.

Zkonstruovaný a schválený podle ISO7291, včetně kyslíkové zkoušky, (viz kapitola 1.2).

Tento lahvový redukční ventil je tvořen tělem, vstupním a výstupním manometrem, lahvovou přípojkou a pojistným ventilem. K dispozici je s několika výstupními fitinkami a/nebo několika **doplňujícími komponenty**:

- Uzavírací ventil na výstupu (A)
- Regulační ventil na výstupu (B)
- Proplachovací ventil na inertní plyn na vstupu (TP).
- Proplachovací ventil na inertní plyn na vstupu a uzavírací ventil na výstupu (TPA), pouze v provedení z nerezové oceli.
- Proplachovací ventil na inertní plyn na vstupu a regulační ventil na výstupu (TPB), pouze v provedení z nerezové oceli.

Provedení **C200/1 TP, C200/1 TPA, C200/1 TPB, C200/2 TP, C200/2 TPA a C200/2 TPB** umožňují vyplachování regulátoru tlaku inertním plynem. Jsou tak obzvlášť vhodné pro korozivní a jedovaté plyny.

Lahvové redukční ventily v lahvi s možností proplachování umožňují sušení armatury, popřípadě odstranění vlhkého atmosférického vzduchu, který před uvedením do provozu nebo při výměně lahve mohl vniknout do redukčního ventilu a propláchnutí armatury od jedovatých, korozivních nebo samozápalných plynů před odstavením z provozu.

1.3. VYSVĚTLENÍ SYMBOLŮ

BEZPEČNOSTNÍ INFORMACE	Bezpečnostní informace jsou v tomto návodu zvýrazněny symboly. Těmto bezpečnostním informacím předcházejí signální slova, která definují rozsah rizika.
	NEBEZPEČÍ! Tato kombinace symbolu a signálního slova označuje bezprostředně nebezpečnou situaci, která způsobí smrt nebo vážné zranění, pokud se jí nezabrání.
	VAROVÁNÍ! Tato kombinace symbolu a signálního slova označuje možnou nebezpečnou situaci, která může způsobit smrt nebo vážné zranění, pokud se jí nezabrání.
	POZOR! Tato kombinace symbolu a signálního slova označuje možnou nebezpečnou situaci, která může způsobit smrt nebo vážné zranění, pokud se jí nezabrání.
	POZNÁMKA! Tato kombinace symbolu a signálního slova označuje možnou nebezpečnou situaci, která může způsobit poškození majetku a prostředí, pokud se jí nezabrání.
	TIPY A DOPORUČENÍ Tento symbol upozorňuje na užitečné tipy a doporučení spolu s nápovědou pro zajištění účinného a bezproblémového provozu.
ZVLÁŠTNÍ BEZPEČNOSTNÍ INFORMACE	Následující bezpečnostní symboly se používají v bezpečnostních informacích pro upozornění na konkrétní rizika.
	NEBEZPEČÍ! Tato kombinace symbolu a signálního slova označuje bezprostředně nebezpečnou situaci týkající se elektrického proudu. Ignorování takového varování může mít za následek těžká nebo smrtelná zranění.

CS

1.4. OMEZENÍ ODPOVĚDNOSTI

Všechny informace a poznámky v tomto návodu byly sestaveny v souladu s platnými normami a předpisy. Odrážejí nejlepší inženýrskou praxi a naše dlouholeté zkušenosti.

Výrobce nenese žádnou odpovědnost za škody v následujících případech:

- Nedodržení tohoto návodu.
- Používání výrobku k jinému než určenému účelu.
- Obsluha neškoleným personálem.
- Neoprávněné úpravy.
- Technické úpravy.
- Používání nepovolených náhradních dílů.
- Práce s výrobkem, pokud je bezpečnostní zařízení poškozeno nebo nesprávně nainstalováno nebo pokud nefunguje správně.
- Nesprávná kontrola součástí, spojů a těsnění, které jsou součástími podléhající rychlému opotřebení.
- Nesprávné opravy.
- Porušení teplotních limitů, které jsou uvedeny v datovém listu, během provozu nebo skladování
- V případě katastrofy nebo vyšší moci.

Skutečný rozsah dodávky se může lišit od vysvětlivek a obrázků v tomto návodu po zapracování nových technických změn.

Platí povinnosti stanovené ve smlouvě o dodávce, naše všeobecné obchodní podmínky, dodací podmínky výrobce a zákonné předpisy platné v době uzavření smlouvy.

1.5. AUTORSKÉ PRÁVO

Obsah tohoto návodu je chráněn autorským právem. Může být použit v souvislosti s obsluhou systému. Jakékoli jiné použití nad rámec výše uvedeného je povoleno pouze s písemným souhlasem výrobce.

1.6. NÁHRADNÍ DÍLY



VAROVÁNÍ!

CS

- Riziko poranění v důsledku použití nesprávných náhradních dílů!
- Použití nesprávných nebo vadných náhradních dílů může mít za následek rizika pro obsluhu a vést k poškození, poruchám nebo úplnému selhání výrobku.
- Používejte pouze originální náhradní díly od výrobce nebo náhradní díly schválené výrobcem.
- V případě pochybností se vždy poraďte s výrobcem.



ZTRÁTA ZÁRUKY

- Záruka výrobce zaniká, pokud jsou použity neschválené náhradní díly.

1.7. ZÁRUČNÍ PODMÍNKY

Záruční podmínky jsou součástí všeobecných obchodních podmínek výrobce.

Tyto podmínky jsou zákazníkům k dispozici nejpozději od uzavření smlouvy.

1.8. ZÁKAZNICKÝ SERVIS

Neváhejte nám poskytnout informace a zkušenosti získané při používání; uvítáme jakékoli cenné informace, které pomohou vylepšit naše výrobky.

2. BEZPEČNOST

Tato kapitola poskytuje přehled všech důležitých bezpečnostních hledisek, zajištění ochrany vašich zaměstnanců a bezpečného a bezproblémového provozu zařízení. Další bezpečnostní informace týkající se konkrétních úkolů lze nalézt v kapitolách o jednotlivých fázích životního cyklu.

2.1. ÚČEL POUŽITÍ

Lahvový redukční ventil typu C12hv a C200hv použijte pouze pro stanovené standardní plyny a tlaky při stanoveném teplotním rozsahu. Jmenovitý průtok je 20 m³/h podle ISO 2503 (stlačený vzduch). K účelu použití patří také dodržování všech informací v tomto návodu a dodržení požadavků na opravy, údržbu, shodu s typovým štítkem a datovými listy. Jakékoli jiné použití, než je v textu uvedeno, představuje nesprávné použití výrobku.



VAROVÁNÍ!

- **Nebezpečí při nesprávném použití!**
- Nesprávné používání výrobku může vést k nebezpečným situacím.
- Nikdy nepoužívejte lahvový redukční ventil s kapalinami.

2.1.1. KONSTRUKČNÍ ZMĚNY LAHVOVÉHO REDUKČNÍHO VENTILU

Bez písemného souhlasu dodavatele nejsou na redukčním ventilu povolena žádná rozšíření, doplnění nebo změny.

Součásti, které nejsou v perfektním stavu, je třeba okamžitě vyměnit.

Čištění lahvového redukčního ventilu a likvidace zbytků

Použité díly, které jsou připraveny k opravě, musí být předtím propláchnuty inertním plynem.

Vznik hluku

V některých případech může při provozu vzniknout hluk, buď samotným plynem nebo vzájemným působením průtoku při určitém tlaku. Pokud k tomu dojde, kontaktujte dodavatele.

2.2. ZÁKLADNÍ RIZIKA

Následující část se zabývá zbytkovými riziky, která mohou nastat, i když je ventil správně používán.

Dodržujte níže uvedené bezpečnostní pokyny tohoto návodu, aby se snížila rizika poranění, poškození majetku a zabránilo se vzniku nebezpečným situacím.



NEBEZPEČÍ!

- **Plyny mohou ohrozit život!**
Plyny mohou nahradit kyslík ve vzduchu a tato situace může způsobit smrt udušením. Kyslík má silný oxidační účinek.

PROTO:

- Je naprosto nezbytné dostatečné větrání.
- Instalaci smí provádět pouze certifikovaná společnost.
- Dodržujte směrnici ATEX.

CS



POZOR!

- **Nebezpečí poranění způsobené okolním prostředím!**
V důsledku kondenzace a/nebo námrazy může dojít k poruchám výrobku.

PROTO:

- Dodržujte vhodné teploty.
- Chraňte ventil před vnějším působením kapalin.
- Chraňte ventil před vnějším působením prachu.
- Chraňte ventil před povětrnostními podmínkami.
- Proveďte správné uzemnění.



VAROVÁNÍ!

- **Riziko poranění v důsledku použití oleje a tuku!**
Olej a tuk nesmí být nikdy používány v systémech regulace plynu. Olej a tuk jsou vysoce hořlavé a mohou prudce reagovat s některými plyny.

PROTO:

- Nikdy nepoužívejte olej a tuk.



VAROVÁNÍ!

- **Nebezpečí zranění zbytkovým tlakem v redukčním ventilu!**

Při nesprávném zacházení nebo manipulací s výrobkem se mohou některé části vlivem vysokého tlaku uvolnit a způsobit vážná či smrtelná zranění.

PŘED ZAHÁJENÍM PRÁCE S TĚMITO VÝROBKY:

- Instalaci smí provádět pouze certifikovaná společnost.
- Při práci vždy používejte ochranné brýle.
- Vždy noste ochranu sluchu.
- Ujistěte se, že zařízení není pod tlakem a zbytkový tlak je odvětrán.
- Vždy zajistěte, aby plyn nemohl samovolně unikat.
- Zajistěte, aby vadné komponenty, které jsou během provozu pod tlakem, byly okamžitě vyměněny školeným personálem.



VAROVÁNÍ!

- **Nebezpečí úrazu!**

V důsledku nesprávné instalace může dojít k vážným nebo dokonce smrtelným zraněním.

PROTO:

- Během instalace by měl být výrobek udržován v bezpečí.
- Nikdy výrobek nevyhazujte.

Komponenty pod tlakem jsou pouze pro určené použití.

Pokud dojde k mechanickému poškození potrubí nebo výrobku, musí být celý systém uveden do bezpečného stavu. Zasažená oblast musí být zablokována. Problémy, které by mohly ovlivnit bezpečnost, musí být odstraněny kvalifikovaným personálem nebo dodavatelem.

Zejména by mohlo dojít k selhání redukčního ventilu. Projevem vadného ventilu je nulový průtok nebo přímo rostoucí výstupní tlak. V takovém případě musí být systém vypnut a musí být informováno příslušné oddělení údržby. Nikdy nezavírejte odpadní potrubí.

2.3. ODPOVĚDNOST PROVOZOVATELE

PROVOZOVATEL

Provozovatel je osoba, která provozuje systém pro komerční nebo obchodní účely, nebo která poskytuje systém pro použití/aplikaci třetí stranou, a která nese právní odpovědnost za výrobek pro ochranu uživatele, personálu nebo třetích stran během provozu.

POVINNOSTI PROVOZOVATELE

Výrobek je používán pro komerční účely. Provozovatel systému proto podléhá zákonným povinnostem v oblasti bezpečnosti práce.

Kromě bezpečnostních informací v tomto návodu je povinné dodržování předpisů o bezpečnosti, prevenci nehod a ochraně životního prostředí, které se vztahují k používání výrobku.

PLATÍ ZEJMÉNA NÁSLEDUJÍCÍ USTANOVENÍ:

- Provozovatel si musí být vědom příslušných předpisů v oblasti bezpečnosti práce a musí provést posouzení rizik, aby identifikoval ta, která mohou nastat v důsledku specifických pracovních podmínek v místě, kde je výrobek provozován. Provozovatel musí toto posouzení použít jako základ pro sestavení pokynů pro provoz výrobku.
 - Po celou dobu provozu ventilu musí provozovatel zajistit, aby byl tento návod k použití v souladu s nejnovějšími předpisy a v případě potřeby musí návod aktualizovat.
 - Provozovatel musí stanovit jasnou a konkrétní odpovědnost za instalaci, provoz, odstraňování problémů, údržbu a čištění.
 - Provozovatel musí zajistit, aby si všichni zaměstnanci, kteří pracují s ventilem, přečetli tyto pokyny a porozuměli jim. Provozovatel musí také zajistit, aby byli tito zaměstnanci pravidelně školeni a aby si byli vědomi rizik.
 - Provozovatel musí personálu poskytnout potřebné ochranné pomůcky a zajistit, jejich používání.
- Provozovatel je navíc odpovědný za zajištění plné technické spolehlivosti systému za všech okolností.

PROTO PLATÍ

- Provozovatel musí zajistit dodržování intervalů údržby uvedených v tomto návodu.
- Provozovatel musí zajistit, aby veškeré bezpečnostní zařízení bylo pravidelně kontrolováno z hlediska funkční spolehlivosti a úplnosti.

2.4. POŽADAVKY NA PERSONÁL

2.4.1. KVALIFIKACE

Různé úkoly popsané v tomto návodu představují odlišné požadavky, pokud jde o kvalifikaci pracovníků pověřených plněním těchto úkolů.



VAROVÁNÍ!

- **Nebezpečí v případě nedostatečné kvalifikace personálu!**
- Nedostatečně kvalifikovaní pracovníci nejsou schopni posoudit rizika spojená se systémem a mohou vystavit sebe i ostatní riziku vážného nebo smrtelného zranění.
- Zajistěte, aby všechny práce prováděli pouze pracovníci kvalifikovaní pro konkrétní úkol.
- Držte nedostatečně kvalifikované osoby mimo pracovní prostor.

Práce musí být vždy přiděleny pouze osobám, kterým lze důvěřovat, že budou práce provádět spolehlivě.

Osoby se sníženými reakcemi, např. v důsledku požití drog, alkoholu nebo léků, nesmí mít povoleno vykonávat práce.

Tento návod definuje níže uvedené kvalifikace, které jsou nezbytné pro příslušné úkoly:

PLYNOVÝ INŽENÝR:

Má odborné školení, dovednosti, zkušenosti a znalosti v oblasti příslušných norem a předpisů pro provádění prací na plynových zařízeních a pro identifikaci potenciálních rizik. Plynový inženýr jsou školeni konkrétně pro místo, kde pracují, a jsou obeznámeni se všemi příslušnými normami a předpisy.

TECHNIK

Má odborné školení, dovednosti, a zkušenosti a znalosti v oblasti příslušných norem a předpisů pro plnění přidělených pracovních úkolů a pro identifikaci a vyloučení potenciálních rizik.

2.4.2. NEOPRÁVNĚNÝ PERSONÁL



VAROVÁNÍ!

- **Rizika spojená a s pobytém neoprávněných osob na nebezpečných pracovištích mohou být životu nebezpečná!**
- Neoprávněným osobám bez kvalifikace, které jsou popsány v této kapitole (nejsou obeznámeny s riziky v pracovním prostoru), hrozí vážné nebo dokonce smrtelné zranění.
- Neoprávněné osoby držte mimo nebezpečný pracovní prostor.
- V případě pochybností se obraťte na jednotlivce a nařídte jim opustit nebezpečný prostor.
- Zastavte jakoukoli práci, dokud se nepovolané osoby nacházejí v nebezpečném prostoru.

2.4.3. ŠKOLENÍ

Provozovatel musí personál pravidelně školit. Protokol o školení musí být veden pro lepší sledování a musí obsahovat alespoň tyto informace:

- Datum školení.
- Jména školených pracovníků.
- Obsah školení.
- Jméno školitele.
- Podpisy školených pracovníků a školitele.

2.5. OSOBNÍ OCHRANNÉ PRACOVNÍ POMŮCKY

Osobní ochranné pomůcky chrání pracovníky před nebezpečím a zdravotními riziky při práci.

Práce související s činností a provozem systému vyžadují používání osobních ochranných pracovních pomůček, které jsou podrobněji popsány v jednotlivých kapitolách tohoto návodu.



DÝCHACÍ PŘÍSTROJ

Chrání před škodlivými plyny, výpary, prachem a podobnými materiály a látkami. Dýchací přístroj (např. respirátor na stlačený vzduch) se musí použít, pokud není zaručen obsah kyslíku v okolním vzduchu alespoň 17% nebo pokud je mezní hodnota nebezpečné látky v okolním vzduchu překročena více než 100krát. Dýchací přístroje mohou nosit pouze osoby, které byly speciálně vyškoleny v používání.



DÝCHACÍ PŘÍSTROJ, ZÁVISLÝ NA PROUDĚNÍ VZDUCHU

Chrání před škodlivými plyny, výpary, prachem a podobnými materiály a látkami. Dýchací přístroj se musí použít, je-li přípustná hodnota nebezpečných látek překročena 100krát. Dýchací přístroj lze použít pouze tehdy, pokud je naměřený obsah kyslíku v okolním vzduchu nejméně 17%.



OCHRANNÉ BRÝLE

Chrání oči před částmi ve vzduchu a stříkající kapalinou.



RUKAVICE ODOLNÉ VŮČI CHEMICKÝM LÁTKÁM

Chrání ruce před agresivními látkami. Před použitím se ujistěte, že ochranné rukavice jsou nepropustné. Před sejmutím rukavic je očistěte a poté uložte na dobře větraném místě.



OCHRANNÉ RUKAVICE

Chrání ruce před odřením, poškrábáním, píchnutím nebo hlubším zraněním a kontaktem s horkými nebo studenými povrchy.



OCHRANA SLUCHU

Chrání sluch před nadměrným hlukem.

CS

2.6. CHOVÁNÍ V PŘÍPADĚ POŽÁRU NEBO NEHODY

PREVENTIVNÍ OPATŘENÍ

- Budte vždy připraveni řešit požáry a nehody!
- Zařízení první pomoci (lékárníčka, přikrývky atd.) a hasicí přístroje udržujte na pracovišti v provozuschopném stavu.
- Seznamte pracovníky se zprávami o nehodách, první pomoci a s nouzovými postupy.
- Udržujte přístupové cesty volné pro vozidla havarijní zásahové služby.

OPATŘENÍ V PŘÍPADĚ POŽÁRU NEBO NEHODY

- Pokud není ohrožena vaše vlastní bezpečnost, odvedte osoby z nebezpečného prostoru.
- V případě potřeby poskytněte první pomoc.
- Upozorněte hasičský sbor a/nebo havarijní zásahovou službu.
- V případě požáru: Pokud není ohrožena vaše vlastní bezpečnost, použijte hasicí zařízení k hašení požáru až do příjezdu hasičského sboru.
- Informujte odpovědnou osobu v místě.
- Ujistěte se, že přístupové cesty jsou volné pro vozidla havarijní zásahové služby.
- Nasměrujte vozidla havarijní zásahové služby.

2.7. OCHRANA ŽIVOTNÍHO PROSTŘEDÍ



POZNÁMKA!

- **Riziko znečištění životního prostředí nesprávnou manipulací s látkami, které jsou nebezpečné pro životní prostředí!**
- K závažnému poškození životního prostředí může dojít nesprávnou manipulací a likvidací nebezpečných látek.
- Vždy dodržujte níže uvedené informace o manipulaci a likvidaci látek, které jsou nebezpečné pro životní prostředí.
- Při náhodném úniku takových látek do životního prostředí podnikněte okamžitá opatření. V případě pochybností informujte místní úřady o škodě a informujte se o vhodných opatřeních, která mají být přijata.

2.8. ZNAČENÍ



VAROVÁNÍ!

- **Nebezpečí v důsledku nečitelných značek!**
- Štítky a značky mohou být časem, vlivem znečištění nebo z jiného důvodu, nečitelné, čímž se zabrání rozpoznání rizik a dodržování požadovaných provozních informací. To by mohlo vést k zranění.
- Zajistěte, aby všechny bezpečnostní, výstražné a provozní informace byly vždy čitelné.
- Poškozené značky nebo štítky okamžitě vyměňte.

2.8.1. PŘÍKAZOVÉ ZNAČKY

- Žádné značky

2.8.2. ZÁKAZOVÉ ZNAČKY

- Žádné značky

2.8.3. VÝSTRAŽNÉ ZNAČKY



POZOR TLAKOVÉ LAHVE



NEBEZPEČÍ VÝBUCHU

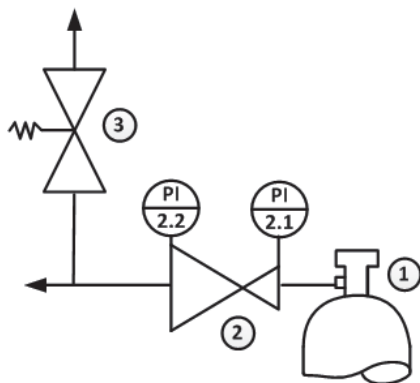


POZOR TOXICKÉ LÁTKY

3. TECHNICKÉ ÚDAJE

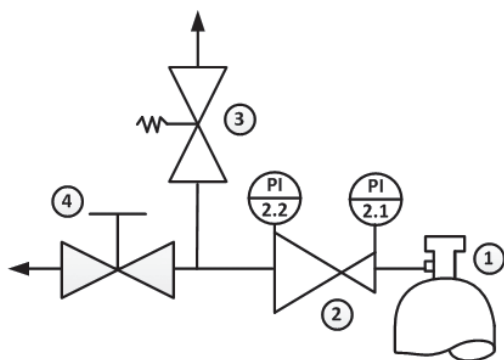
3.1. SCHÉMA PRŮTOKU – JEDNOSTUPŇOVÉ VERZE

C12HV/1



- 1 – TLAKOVÁ LAHEV
- 2 – REDUKČNÍ VENTIL
- 3 – POJIŠŤOVACÍ VENTIL

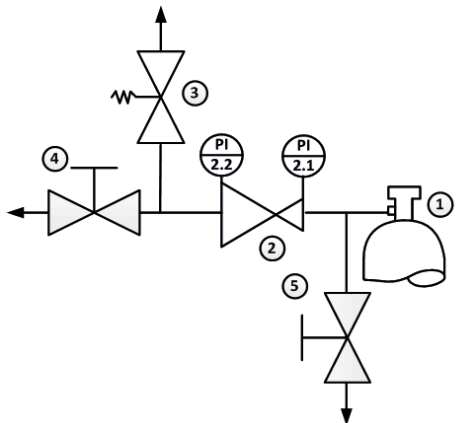
C12HV/1 A



- 1 – TLAKOVÁ LAHEV
- 2 – REDUKČNÍ VENTIL
- 3 – POJIŠŤOVACÍ VENTIL
- 4 – UZAVÍRACÍ VENTIL

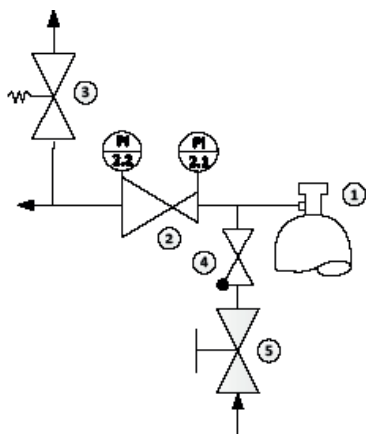
CS

C12HV/1 B



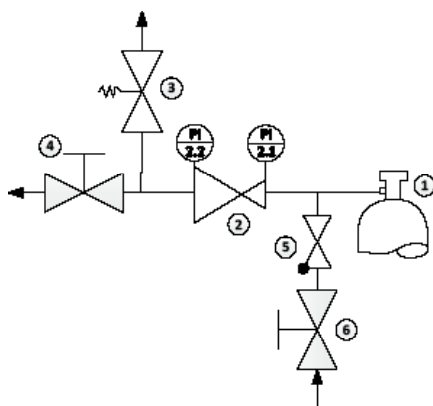
- 1 – TLAKOVÁ LAHEV
- 2 – REDUKČNÍ VENTIL
- 3 – POJIŠŤOVACÍ VENTIL
- 4 – REGULAČNÍ VENTIL
- 5 – PROPLACHOVACÍ VENTIL

C12HV/1 TP



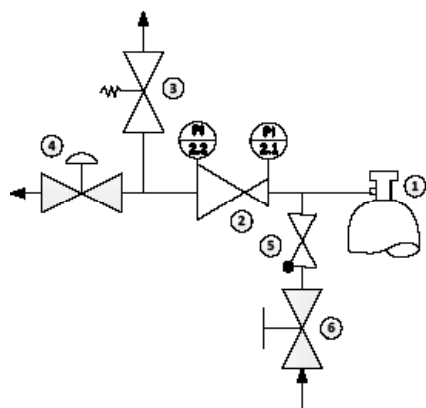
- 1 – TLAKOVÁ LAHEV
- 2 – REDUKČNÍ VENTIL
- 3 – POJIŠŤOVACÍ VENTIL
- 4 – ZPĚTNÝ VENTIL
- 5 – PROPLACHOVACÍ VENTIL INERTNÍHO PLYNU

C12HV/ TPA



- 1 – TLAKOVÁ LAHEV
- 2 – REDUKČNÍ VENTIL
- 3 – POJIŠŤOVACÍ VENTIL
- 4 – UZÁVÍRACÍ VENTIL
- 5 – ZPĚTNÝ VENTIL
- 6 – PROPLACHOVACÍ VENTIL INERTNÍHO PLYNU

C12HV/ TPB

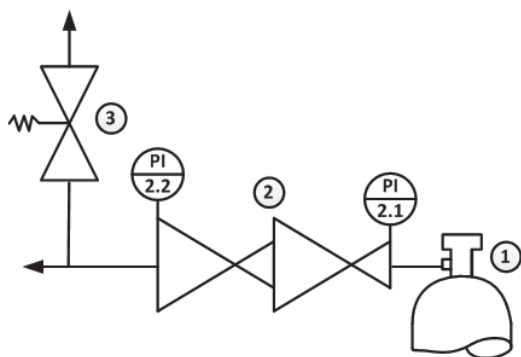


- 1 – TLAKOVÁ LAHEV
- 2 – REDUKČNÍ VENTIL
- 3 – POJIŠŤOVACÍ VENTIL
- 4 – REGULAČNÍ VENTIL
- 5 – ZPĚTNÝ VENTIL
- 6 – PROPLACHOVACÍ VENTIL INERTNÍHO PLYNU

CS

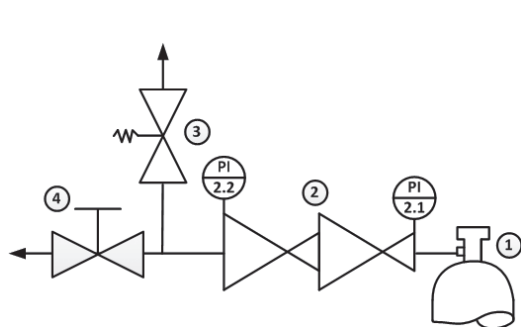
3.2. SCHÉMA PRŮTOKU – DVOUSTUPŇOVÉ VERZE

C200HV/2



- 1 – TLAKOVÁ LAHEV
- 2 – REDUKČNÍ VENTIL
- 3 – POJIŠŤOVACÍ VENTIL

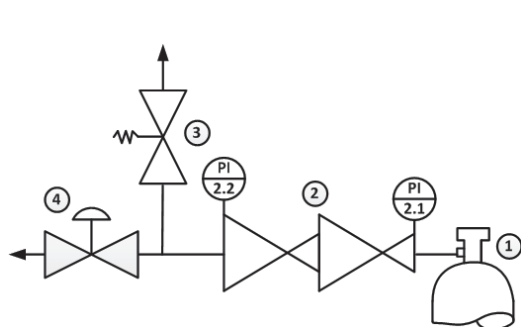
C200HV/2 A



- 1 – TLAKOVÁ LAHEV
- 2 – REDUKČNÍ VENTIL
- 3 – POJIŠŤOVACÍ VENTIL
- 4 – UZAVÍRACÍ VENTIL

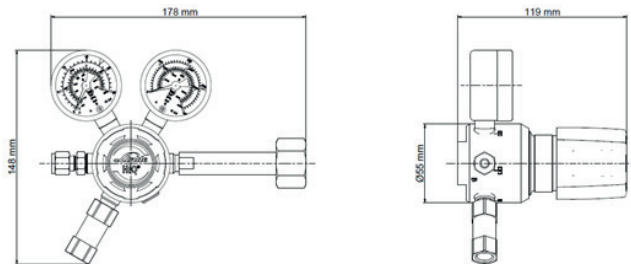
CS

C200HV/2 B

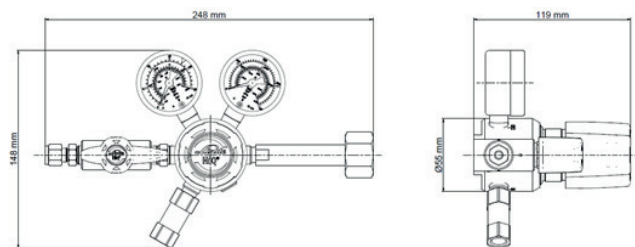


- 1 – TLAKOVÁ LAHEV
- 2 – REDUKČNÍ VENTIL
- 3 – POJIŠŤOVACÍ VENTIL
- 4 – REGULAČNÍ VENTIL

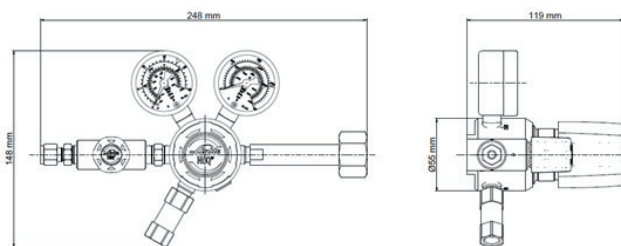
3.3. ROZMĚROVÝ LIST JEDNOSTUPŇOVÝ VENTIL



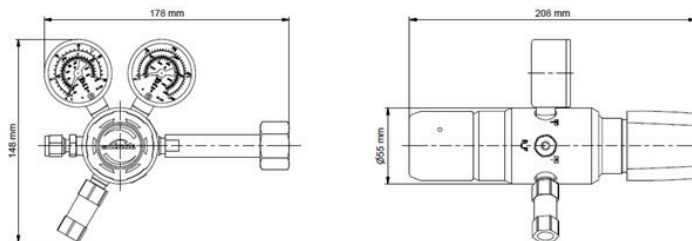
VERZE A | JEDNOSTUPŇOVÁ



VERZE B | JEDNOSTUPŇOVÁ

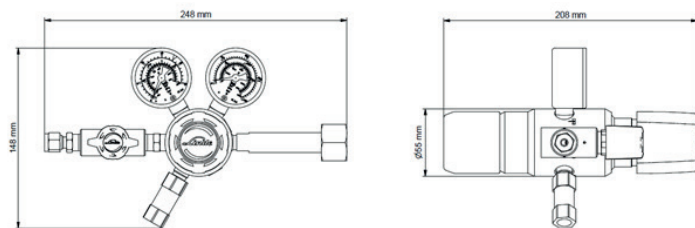


DVOUSTUPŇOVÝ VENTIL

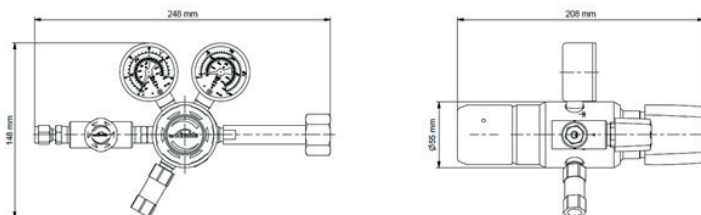


CS

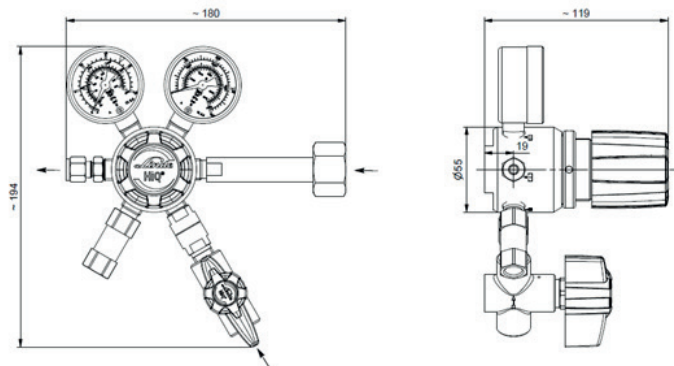
VERZE A | DVOUSTUPŇOVÁ



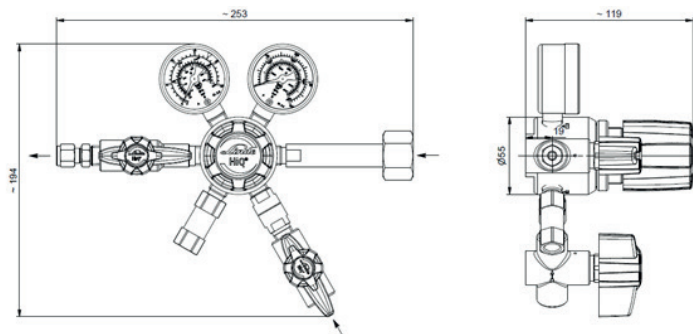
VERZE B | DVOUSTUPŇOVÁ



VERZE TP | JEDNOSTUPŇOVÁ

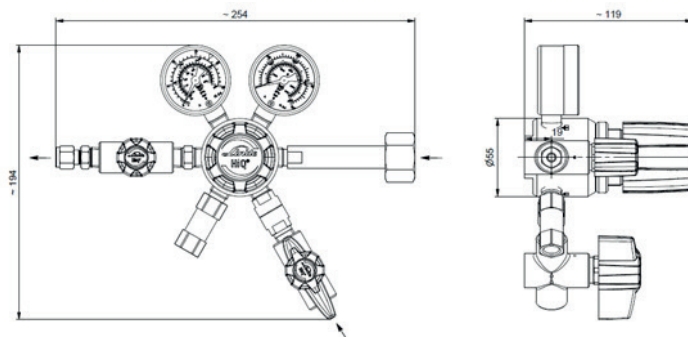


VERZE TPA | JEDNOSTUPŇOVÁ



CS

VERZE TPB | JEDNOSTUPŇOVÁ



3.4. OBECNÉ ÚDAJE

Údaj	Jednostupňový ventil Chromovaná mosaz	Dvoustupňový ventil Chromovaná mosaz	Jednostupňový ventil Chromovaná mosaz	Dvoustupňový ventil Nerezová ocel
max. hmotnost [kg]	2,5	3,3	4,04	4,93
Délka [mm]	223	223	263	263
Hloubka [mm]	114	202	114	202
Výška [mm]	168	168	168	168

3.5. PŘIPOJOVACÍ ROZMĚRY

Údaj	Hodnota	Jednotka
Vstup	DIN477 AFNOR BS CGA Atd.	Přípojka tlakové lahve
Výstup	1/8", 1/4", 3/8", 1/2" 3, 6, 8, 10, 12 4,8; 6,4; 8,0	Fitink pro trubku Pro trubku v mm Hadicový nástavec (max. 15 bar)
Pojistka	1/4"	Fitink pro trubku

CS

3.6. PRŮTOK REDUKČNÍM VENTILEM

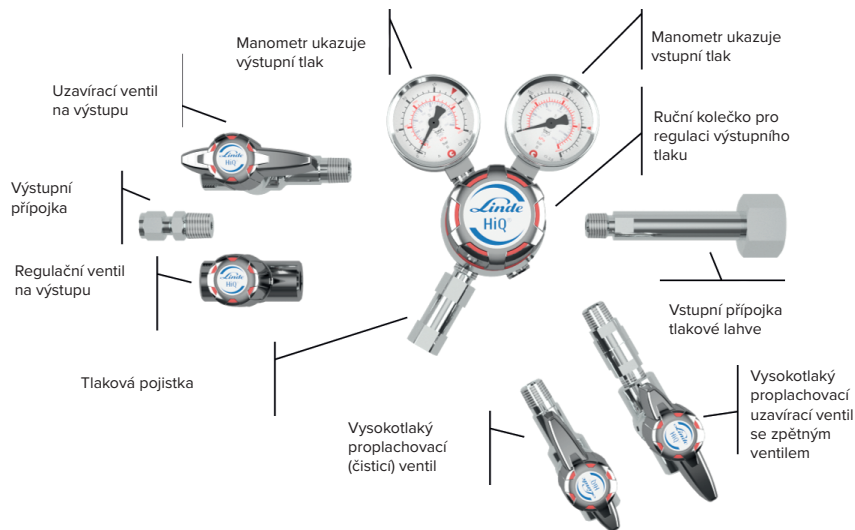
Údaj	Hodnota	Jednotka
Jmenovitý průtok (ISO 2503)	20 (stlačený vzduch)	m ³ /h
Vstupní tlak (max.)	C12hv - 12 bar C200hv - 200 bar	bar
Výstupní tlak (max.)	200 (v záv. na vstupním tlaku)	bar

3.7. PROVOZNÍ PODMÍNKY

Údaj	Hodnota	Jednotka
Teplotní rozsah	-20 až +60	°C
Relativní vlhkost (max.)	98	%

4. NASTAVENÍ A FUNKCE

4.1. PŘEHLED – MOSAZNÁ CHROMOVANÁ VERZE



4.2. STRUČNÝ POPIS

Obsluha lahvového redukčního ventilu se provádí ručně ovládacím kolečkem. Vstupní a výstupní tlak musíte vždy odečítat na vstupním nebo výstupním tlakoměru. Do manipulace vstupují různé přídavné součásti:

- Uzavírací ventil na výstupu k uzavření průtoku výstupního tlaku.
- Regulační ventil na výstupu k regulaci průtoku výstupního tlaku.
- Uzavírací ventil se zpětným ventilem k proplachu vysokotlaké části inertním plynem.

5. DOPRAVA, BALENÍ A SKLADOVÁNÍ



TIPY A DOPORUČENÍ

- Instalaci a uvedení do provozu redukčního ventilu obvykle provádí dodavatel nebo pověřený personál.
- Uživatel nebo pracovník údržby se postará o likvidaci použitého obalu. Respektujte následující poznámky.

5.1. BEZPEČNOSTNÍ INFORMACE PRO PŘEPRAVU



POZNÁMKA!

- **Škody způsobené nevhodnou přepravou!**
- Při nesprávné přepravě mohou zásilky spadnout nebo se převrátit. To může způsobit značné škody na majetku.
- Po dodání zásilky postupujte opatrně a dodržujte symboly a varování na obalu.
- Používejte pouze schválené upevňovací body.
- Neodstraňujte obal, dokud nebudete připraveni provést montáž.

5.2. KONTROLA PŘI PŘEPRAVĚ

Po dodání ihned zkontrolujte, zda je zásilka kompletní a nebyla poškozena během přepravy. Postup při zjištění viditelného poškození při přepravě:

- Odmítněte přijetí zásilky nebo ji přijměte pouze s výhradou.
- Zaznamenejte rozsah poškození v přepravní dokumentaci nebo na dodacím listu dopravce.
- Podejte stížnost.



TIPY A DOPORUČENÍ!

- Hlaste každou vadu, jakmile ji zjistíte. Nároky na náhradu škody lze uplatnit pouze ve stanovených lhůtách.

5.3. BALENÍ

Jednotlivé zásilky jsou baleny podle předpokládaných přepravních podmínek. Všechny obaly jsou bez výjimky vyrobeny z ekologického materiálu.

Obal slouží k ochraně jednotlivých výrobků před poškozením při přepravě, korozi a jiným poškozením, dokud nejsou připraveny k instalaci. Obal proto neničte; odstraňte jej až těsně před montáží.



POZNÁMKA!

- **Nebezpečí poškození životního prostředí nesprávnou likvidací!**
- Obalové materiály jsou cennými surovinami. V mnoha případech mohou být znovu použity nebo recyklovány. Nesprávná likvidace obalových materiálů může poškodit životní prostředí.
- Likvidujte obalové materiály šetrným způsobem k životnímu prostředí.
- Dodržujte místně platné předpisy pro likvidaci. V případě potřeby objednejte specializovanou likvidační firmu.

5.4. SKLADOVÁNÍ

Balíky skladujte za následujících podmínek:

- Neskladujte venku.
- Skladujte na suchém a bezprašném místě.
- Nevystavujte agresivním látkám.
- Chraňte před slunečním zářením.
- Chraňte výrobek před mechanickými nárazy.
- Skladovací teplota: 15 až 35 °C.
- Relativní vlhkost: max. 60 %.
- Při skladování po dobu delší než 3 měsíce pravidelně kontrolujte celkový stav všech částí a obalu. Je-li to nutné, znovu aplikujte nebo obnovte ochranu proti korozi.



TIPY A DOPORUČENÍ!

- Některé obaly mohou být opatřeny štítky s informacemi o skladování, které přesahují tyto požadavky. Respektujte tyto poznámky.

CS

6. INSTALACE A PRVNÍ UVEDENÍ DO PROVOZU

6.1. BEZPEČNOSTNÍ POZNÁMKY PRO INSTALACI A PRVNÍ UVEDENÍ DO PROVOZU

PERSONÁL

Instalaci a první uvedení systému do provozu smí provádět pouze kvalifikovaný pracovník.

6.2. PŘÍPRAVA

VYBALENÍ

- Výrobek vyjměte z obalu opatrně a obezřetně.
- Odstraňte další ochranné obaly.
- Zkontrolujte všechny součásti, zda nevykazují známky poškození způsobené přepravou.

SNÍŽENÍ TLAKU

- Odtlačte součásti a v případě potřeby propláchněte inertním plynem.
- Odřízněte trubky speciálním nástrojem; zabraňte znečištění (špína, třísky atd.)
- Zkontrolujte stav výrobku a čistotu přípojek.

6.3. INSTALACE

Používejte redukční ventily s lahvovou přípojkou podle druhu plynu a národní normy (DIN477, CGA, AFNOR atd.).



NEBEZPEČÍ!

- Závity ventilů láhví a převlečných matic musí být v bezvadném stavu.



VÝSTRAHA!

- Použijte vždy nová těsnění. Těsnění nesmí být deformována, bez stop nečistot nebo kovových třísek.
- Použití více těsnění na těsnícím místě není dovoleno. Použitá těsnění musíte odstranit.



VÝSTRAHA!

- Nepoužívejte prodloužení klíčů, protože můžete zničit závit a těsnění.
- To může způsobit netěsnosti, nekontrolovaný únik plynu nebo úplné vypuštění zásoby plynu.
- Použitá těsnění musíte odstranit.



VÝSTRAHA!

- Při připojení nebo výměně láhví s jedovatými nebo korozivními plyny musíte provést příslušná opatření na ochranu osob (ochrana dýchacích cest, ochrana očí a ochranný oděv).
- Dejte k dispozici správné filtry na ochranu dýchacích cest. Používejte výhradně redukční ventil v lahvi se zařízením pro vylpachování.



POZOR!

- Používat smíte pouze redukční ventily s lahvovými přípojkami podle příslušné normy (DIN477, CGA, AFNOR, atd.) použitého druhu plynu.

6.3.1. PŘÍPRAVA

Použijte redukční ventily s lahvovou přípojkou podle druhu plynu a národní normy (DIN477, CGA, AFNOR atd.).

CS

6.3.2. PŘIPOJENÍ PLYNOVÉ LAHVE

- Nejprve rukou připojte otočnou matici lahvové přípojky k ventilu tlakové lahve.
- Zvažte pravý a levý závit!
- Připevněte lahvový redukční ventil k uzavíracímu ventilu tlakové lahve, nenakláňjte ho.
- Utáhněte otočnou matici klíčem.
- Pozor, nepoužívejte nástavec klíče, mohlo by dojít k poškození závitu a těsnění. To může vést k úniku, nekontrolovatelnému výtoku plynu nebo jeho úplnému vypuštění.
- Pokud má lahvová přípojka matici pro ruční připojení, zašroubujte otočnou matici pevně rukou. Nepoužívejte klíč na ruční přípojku, mohlo by dojít k poškození matice, těsnění.



Připojovací vedení jsou obvykle namontována pomocí šroubení s upínacím kroužkem. Nejprve odstraňte uzavírací krytky z přípojek. Montáž provedete úplným zasunutím potrubí do šroubení s upínacím kroužkem. Potom našroubujte rukou převlečnou matici a utáhněte maticovým klíčem (první instalace 1 1/4 otáčky pro potrubí větší než 1/8 palce a 3/4 otáčky pro potrubí 1/8 palce nebo menší, opakovaná instalace 1/4 otáčky pro všechna potrubí). Potrubí k pojistnému ventilu připojte stejným způsobem.

Dodržujte přitom prosím pokyny výrobce a způsobilost materiálů pro určité plyny a rozsahy tlaku.

Lahvový redukční ventil se dodává při maximálním výstupním tlaku 15 barů s hadicovým nátrubkem.

Díky kuželovému tvaru nátrubku lze hadici jednoduše nasadit.

Typ TP, TPA, TPB s proplachovacím ventilem inertního plynu

U lahvových redukčních ventilů s proplachem inertním plynem (TP, TPA, TPB) musíte navíc připojit potrubí inertního plynu, jak je popsáno výše.

6.4. POŽADOVANÁ KVALIFIKACE PRO PRVNÍ UVEDENÍ DO PROVOZU A VÝMĚNU LAHVI

- Pro potrubí musí být k dispozici protokol ohledně jeho těsnosti, případně obsahu vlhkosti a mechanických částic.
- Připojte trubku procesního plynu, odvodušňovací potrubí tlakové pojistky, potrubí proplachovacího plynu, zpětného a pojistného ventilu, pokud existují.
- V potrubí procesního plynu je pouze standardní plyn (viz 1.2).
- Uvedení do provozu provádí pouze kvalifikovaná osoba.
- Používejte ochranné pomůcky podle předpisů.
- Použijte nástroje, které netvoří jiskry a zajistěte je před instalací.
- Před prvním uvedením do provozu zkontrolujte typový štítek, zda je redukční ventil vhodný pro daný účel (plyn, tlak, materiál atd.).

6.5. PRVNÍ UVEDENÍ DO PROVOZU

- Jsou splněny předpoklady podle bodu 6.4
- Lahvový redukční ventil je zavřený, tzn. je uvolněný (zavřený), tzn. že ruční kolečko je úplně vyšroubováno (proti směru chodu hodinových ručiček).
- Když používáte korozivní a/nebo jedovatý plyn a verzi z nerezové oceli **TP, TPA, TPB** lahvového redukčního ventilu, musíte před uvedením do provozu provést proplach inertním plynem (viz další text 6.5.2).



VAROVÁNÍ!

- Ujistěte se, že lahvový redukční ventil není vystaven hladinám tlaku, které překračují jeho příslušný povolený jmenovitý tlak.

6.5.1. NAPLNĚTE POTRUBÍ PROCESNÍM PLYNEM

Otevřete pomalu lahvový uzavírací ventil a nastavte požadovaný výstupní tlak ručním kolečkem otáčením ve směru hodinových ručiček. Redukční ventil je nyní v provozu.

6.5.2. VÝMĚNA TLAKOVÉ LAHVE

Když používáte korozivní a/nebo jedovatý plyn a verzi z nerezové oceli **TP, TPA, TPB** redukčního ventilu v lahvi, musíte před výměnou lahve provést propláchnutí výplachem cizím plynem s inertním plynem (viz bod 6.5.2).



POZNÁMKA!

Pro vnější proplach použijte suchý, čistý plyn. Doporučujeme používat inertní plyn v kvalitě odpovídající vaší aplikaci.



VAROVÁNÍ!

- Při výměně tlakových lahví s toxickým nebo korozivním plynem zvažte osobní bezpečnostní opatření (ochrana dýchání, ochrana očí, ochranné oděvy).
- V takovém případě je nezbytné dodržovat veškeré platné hygienické předpisy zejména zákon č. 258/2000 Sb. o ochraně veřejného zdraví v platném znění včetně platných vyhlášek a nařízení a zákon č. 356/2003 Sb. o chemických látkách a přípravcích v platném znění včetně platných vyhlášek a nařízení. Použijte správný filtr dýchacího přístroje.



NEBEZPEČÍ!

- Pokud se redukční ventil používá s toxickými a/nebo korozivními plyny, musí být výrobek propláchnut inertním plynem (proplachování vnějším plynem s trojitým proplachovacím blokem). Tím odvede zbytkový plyn proplachovacím potrubím.

PŘÍPRAVA

1. Zavřete lahvový redukční ventil.
2. Vyprázdněte redukční ventil, vstupní a výstupní manometr musí ukazovat „0“.
3. Otáčejte ručním kolečkem redukčního ventilu proti směru hodinových ručiček až na doraz, ventil je zavřený
4. Zavřete uzavírací nebo regulační ventil na výstupu, pokud je nainstalován.
5. Postup proplachování nebo vypouštění pro následující verzi: **P, TP, TPA, TPB**

PROPLACHOVÁNÍ VNĚJŠÍM PLYNEM

Čisticí proces lahvového redukčního ventilu s čisticím uzavíracím ventilem na vstupu (TP, TPA, TPB)

- A** Zkontroluj, zda je vstup proplachovacího plynu a vstup procesního plynu správně namontován.
- B** Zavři všechny uzavírací ventily.
- C** Zavři redukční ventil otáčením ručního kolečka proti směru chodu hodinových ručiček.
- D** Otevři čisticí uzavírací ventil.
- E** Zavři čisticí uzavírací ventil.
- F** Otevři redukční ventil a krátce uzavírací nebo regulační ventil na výstupu tohoto ventilu, aby vytekł čisticí plyn z redukčního ventilu.
- G** Zavři redukční ventil, uzavírací nebo regulační ventil na výstupu.

Pro optimální výsledek proplachování opakujte bod D–G 10krát.

6. Klíčem uvolněte lahvovou přípojku. Pokud má přípojka ruční přípojku, uvolněte otočnou matici rukou.
7. Připojte novou tlakovou lahev, jak je popsáno v bodě 6.3.1.

6.5.3. VYŘAZENÍ PŘÍVODU PLYNU Z PROVOZU

Užíváte-li nerezový redukční ventil na korozivní a/nebo toxické plyny **TP, TPA, TPB** musí být před výměnou tlakové lahve proveden proplach vnějším plynem.



POZOR!

CS

- Při demontáži snižte tlak v redukčním ventilu a potrubí. Manometry na vstupu a výstupu ukazují „0“.
 - Pokud se používá korozivní a/nebo toxický plyn, propláchněte ventil inertním plynem.
 - Zvažte osobní bezpečnostní opatření (ochrana dýchání, očí a užití ochranného oděvu).
 - Dodržovat veškeré platné hygienické předpisy zejména zákon č. 258/2000 Sb. o ochraně veřejného zdraví v platném znění včetně platných vyhlášek a nařízení. Vyberte správný filtr.
1. Zavřete lahvový uzavírací ventil.
 2. Snižte tlak v redukčním ventilu, vstupní a výstupní manometry ukazují „0“.
 3. Otáčejte ručním kolečkem regulátoru tlaku proti směru hodinových ručiček až na doraz.
 4. Zavřete uzavírací nebo regulační ventil na výstupu, pokud jsou nainstalovány.
 5. Proces proplachování nebo vypouštění pro následující verzi: **P, TP, TPA, TPB, EP, EPA, EPB** (viz bod 6.5.2).
 - Zavřete redukční ventil otáčením ručního kolečka proti směru hodinových ručiček až na doraz.
 - Odtlakujte potrubní systém!
 - Redukční ventil je nyní mimo provoz. Nyní je možné provést opravu a/nebo údržbu.

6.6. TESTY

- Po natlakování otestujte kompletní funkce lahvového redukčního ventilu.
- Zkontrolujte pojistku.

7. PROVOZ

V kapitole 2.1 je definována funkce redukčního ventilu.



POZOR!

- Redukční ventil otevírejte pomalu a opatrně, aby se zabránilo vzniku tlakových rázů v systému a poškození ostatních součástí!

Pro krátké přerušení odběru plynu stačí zavřít uzavírací nebo regulační ventil na výstupu redukčního ventilu. Pro delší přerušení musí být v redukčním ventilu snížen tlak otáčením ručního kolečka proti směru chodu hodinových ručiček. Z bezpečnostních důvodů uzavřete ventil tlakové lahve.

8. ÚDRŽBA

8.1. BEZPEČNOST PRÁCE PŘI ÚDRŽBĚ



POZNÁMKA!

- Údržbu smí provádět pouze dostatečně kvalifikované, vyškolené a oprávněné osoby (viz bod 2.4).

8.2. PLÁN ÚDRŽBY

Následující části textu popisují údržbu, kterou je třeba provést, aby byl zajištěn optimální a bezporuchový provoz redukčního ventilu.

Pokud pravidelné kontroly odhalí zvýšené opotřebení výrobku, musí být potřebné intervaly údržby zkráceny, aby odrazily skutečné opotřebení.

POZNÁMKA!

- Máte-li jakékoli dotazy týkající se údržby a jejich intervalů, kontaktujte výrobce (kontaktní údaje viz bod 1.8).

Interval	Údržba	Personál
Týdenní	Vizuální kontrola redukčního ventilu.	Způsobilá osoba
Roční	Kontrola funkce a těsnosti, kontrola všech bezpečnostních komponentů.	Způsobilá osoba
Každých 10 let	Generální oprava a výměna všech součástí podléhajícím rychlému opotřebení.	Způsobilá osoba

8.3. ÚDRŽBA

8.3.1. ČIŠTĚNÍ



POZNÁMKA!

- Všechny čisticí prostředky musí být kompatibilní s materiály instalovaného výrobku.

8.3.2. POŽADAVKY NA ÚDRŽBU

PŘED ÚDRŽBOU ZKONTROLUJTE, ZDA:

- Není k redukčnímu ventilu připojen žádný přívod plynu.
- Je rozvod odtlakován.
- Je redukční ventilu bez tlaku.
- Jsou uzavírací ventily uzavřeny.
- Není uvnitř redukčního ventilu žádný procesní plyn.
- Je redukční ventil propláchnut a naplněn inertním plynem.

8.3.3. NEZBYTNÁ ÚDRŽBA

- Zkontrolujte přesnost manometrů.
- Rozvod, redukční ventil, uzavírací ventily a manometry: zkontrolujte stav, funkci a označení.
- Zkontrolujte označení.
- Zkontrolujte korozi.
- Zkontrolujte funkci.
- Tlaková zkouška pracovního tlaku 1x po 12 hodinách.
- Opotřebované a vadné součásti musí být okamžitě vyměněny autorizovanou a kvalifikovanou společností.
- Uzavírací ventily jsou zkonstruovány podle ISO 10297, včetně zkoušky opotřebení na 2000 cyklů. Výměna vnitřních dílů po 2000 cyklů musí být provedena autorizovanou a kvalifikovanou společností.
- Pokud je na redukčním ventilu patrná netěsnost nebo koroze, musí být okamžitě vyměněn autorizovanou a kvalifikovanou společností.
- Po výměně součástí nebo trubek je třeba znovu provést zkoušku tlaku a těsnosti a vystavit protokol.

CS

8.4. OPATŘENÍ PRO ÚDRŽBU

PROVEĎTE NÁSLEDUJÍCÍ KROKY PO DOKONČENÍ ÚDRŽBY A PŘED UVEDENÍM DO PROVOZU.

1. Ujistěte se, že z pracovního prostoru byly odstraněny všechny nástroje, materiály a další vybavení.
2. Vyčistěte pracovní prostor a odstraňte veškeré rozlité látky, např. kapaliny, zpracovaný materiál nebo podobně.
3. Ujistěte se, že součásti důležité z hlediska bezpečnosti dokonale fungují.

9. ODSTRAŇOVÁNÍ ZÁVAD

Následující kapitola popisuje možné příčiny závad a způsoby jejich odstranění.

Dochází-li k poruchám s rostoucí pravidelností, zkráťte intervaly údržby tak, aby odrazily skutečné zatížení.

Pokud dojde k poruše, kterou nelze pomocí následujících rad odstranit, obraťte se na výrobce (kontaktní informace viz bod 1.8).

9.1. BEZPEČNOST PRÁCE PŘI ODSTRAŇOVÁNÍ ZÁVAD

V případě poruchy musí být uzavírací ventily, které jsou připojeny k lahvi, ke zdroji tlaku nebo svazku plynu uzavřeny. Nikdy nepoužívejte zařízení s poruchou pod tlakem.

CO DĚLAT V PŘÍPADĚ PORUCHY:

1. Přerušte přívod plynu.
2. Odtlakujte redukční ventil a zavřete uzavírací ventil.
3. Poruchy smí odstranit pouze vyškolený technický personál.
4. Uveďte redukční ventil do původního stavu.

Popis	Důvod	Řešení	Ventil	Lahvový redukční ventil	Rozvodový redukční ventil	Panel pro přívod plynu
Žádný průtok (vstupní manometr vykazuje tlak, výstupní manometr nikoliv).	Tlakový regulátor je uzavřen.	Pomalu otvírejte redukční ventil. Uzavřete profukovací ventil.		<input checked="" type="checkbox"/>	<input checked="" type="checkbox"/>	<input checked="" type="checkbox"/>
Žádný průtok (vstupní a výstupní manometr ukazují „0“).	Lahvový uzavírací ventil je uzavřen. Ventil prac. plynu uzavřen. Redukční ventil uzavřen. Spojovací trubka/hadice lahve nejsou připojeny.	Počáteční spuštění – viz bod 6. Instalace a počáteční spuštění.		<input checked="" type="checkbox"/>	<input checked="" type="checkbox"/>	<input checked="" type="checkbox"/>
Žádný průtok.	Ovládací kolečko je uzavřeno.	Pomalu otvírejte ovládacím kolečkem.	<input checked="" type="checkbox"/>			
Nárůst výstupního tlaku a otevření pojistky.	Netěsnost v sedle redukčního ventilu.	Oprava u výrobce.		<input checked="" type="checkbox"/>	<input checked="" type="checkbox"/>	<input checked="" type="checkbox"/>

Popis	Důvod	Řešení	Ventil	Lahvový redukční ventil	Rozvodový redukční ventil	Panel pro přívod plynu
Mírný nárůst výstupního tlaku, pojistka se neotvírá.	Pokles vstupního tlaku.	Žádná porucha, normální provozní stav.		<input checked="" type="checkbox"/>	<input checked="" type="checkbox"/>	<input checked="" type="checkbox"/>
Mírný nárůst výstupního tlaku.	Rozdíl mezi tlakem (za průtokem) a nulovým tlakem (bez průtokem plynu).	Žádná porucha, normální provozní stav.		<input checked="" type="checkbox"/>	<input checked="" type="checkbox"/>	<input checked="" type="checkbox"/>
Mírný pokles výstupního tlaku.	Rozdíl mezi tlakem (za průtokem) a nulovým tlakem (bez průtokem plynu).	Žádná porucha, normální provozní stav.		<input checked="" type="checkbox"/>	<input checked="" type="checkbox"/>	<input checked="" type="checkbox"/>
Silný pokles výstupního tlaku.	Požadovaný průtok je pro redukční ventil příliš vysoký.	Vyberte nový redukční ventil pro požadovaný tlak a průtok.		<input checked="" type="checkbox"/>	<input checked="" type="checkbox"/>	<input checked="" type="checkbox"/>
Silný pokles výstupního tlaku.	Netěsnost vedení pracovního plynu.	Zkontrolujte vedení prac. plynu.		<input checked="" type="checkbox"/>	<input checked="" type="checkbox"/>	<input checked="" type="checkbox"/>
Výstupní tlak je příliš vysoký.	Nesprávné nastavení redukčního ventilu.	Nastavte redukční ventil, přenastavte čas údržby.		<input checked="" type="checkbox"/>	<input checked="" type="checkbox"/>	<input checked="" type="checkbox"/>
Okamžitý nárůst výstupního tlaku v rozvodu nebo zvyšování výstupního tlaku pomalu na úroveň nad nastavenou hodnotou a pojistka se otevře.	Znečištění nebo poškození sedla redukčního ventilu „Creap“.	Oprava u výrobce.		<input checked="" type="checkbox"/>	<input checked="" type="checkbox"/>	<input checked="" type="checkbox"/>
Hluk při provozu.	Požadovaný průtok je pro redukční ventil příliš vysoký.	Vyberte nový redukční ventil pro požadovaný tlak a průtok.		<input checked="" type="checkbox"/>	<input checked="" type="checkbox"/>	<input checked="" type="checkbox"/>

Popis	Důvod	Řešení	Ventil	Lahvový redukční ventil	Rozvodový redukční ventil	Panel pro přívod plynu
Žádná změna tlaku při otáčení ovládacím kolečkem.	Závada kolečka kvůli příliš vysokému momentu, závada vřetene, závada závitu.	Oprava u výrobce.	<input checked="" type="checkbox"/>	<input checked="" type="checkbox"/>	<input checked="" type="checkbox"/>	<input checked="" type="checkbox"/>
Na redukčním ventilu se tvoří vlhkost (ŽÁDNÁ rosa, déšť či sníh).	Redukční ventil odebírá energii z prostředí expanzí plynu.	Žádná porucha, normální provozní stav.		<input checked="" type="checkbox"/>	<input checked="" type="checkbox"/>	<input checked="" type="checkbox"/>
Jinovatka na redukčním ventilu (ŽÁDNÁ rosa, déšť či sníh).	Redukční ventil odebírá energii z prostředí expanzí plynu, omezený výkon z tlakových nádrží plynu, např. N2O, CO2.	Žádná porucha, normální provozní stav POZOR: Mějte na paměti funkčnost kontaktních měřidel, zvyšte množství tlakových zdrojů plynu.		<input checked="" type="checkbox"/>	<input checked="" type="checkbox"/>	<input checked="" type="checkbox"/>

Tato tabulka není vyčerpávající. V případě dotazů a nejednoznačností se prosím obraťte na výrobce. Kontaktní údaje jsou uvedeny v oddílu 1.8.

10. DEMONTÁŽ A LIKVIDACE

Dosáhne-li výrobek konce své životnosti, musí být demontován a zlikvidován šetrným způsobem k životnímu prostředí.

10.1. BEZPEČNOST PRÁCE PŘI DEMONTÁŽI A LIKVIDACI



VAROVÁNÍ!

- **Nebezpečí zranění při nesprávné demontáži!**

UCHOVÁNÍ ZBYTKOVÉHO TLAKU, VÝROBKY S OSTRÝMI HRANAMI, HROTY A ROHY V ROZVODU NEBO NA POŽADOVANÝCH NÁSTROJÍCH MOHOU ZPŮSOBIT ZRANĚNÍ.

- Zajistěte dostatek místa pro práci.
- Buďte opatrní u ostrých hran.
- věnujte pozornost pořádku a čistotě.
- uvolněné součásti mohou způsobit nehody.
- Demontujte součásti správně. Mějte na paměti, že některé součásti jsou těžké. V případě potřeby použijte zvedací zařízení.
- Zajistěte součásti proti pádu nebo převrácení.

10.2. DEMONTÁŽ

PŘED ZAHÁJENÍM DEMONTÁŽE

Snižte tlak v redukčním ventilu otáčením ručního kolečka proti směru hodinových ručiček.

Ujistěte se, že uvnitř ventilu není žádný procesní plyn.

Demontujte sestavy a komponenty správně a v souladu s platnými místními předpisy o bezpečnosti práce a ochraně životního prostředí.

10.3. LIKVIDACE

Pokud neexistuje dohoda o vrácení nebo likvidaci, měly by být demontované komponenty recyklovány následujícím způsobem:

Kovy: sešrotovat.

Plasty: recyklovat.

Ostatní komponenty: třídění a likvidace.

V souladu s článkem 33 nařízení REACH se společnost GCE, s.r.o. jako odpovědný výrobce zavazuje informovat všechny zákazníky, pokud materiály obsahují 0,1 % nebo více látek uvedených na seznamu látek vzbuzujících velmi velké obavy (SVHC).

Nejčastěji používané mosazné slitiny používané pro těla a další mosazné komponenty obsahují 2 - 3 % olova (Pb), Č. ES 231-468-6, Č. CAS 7439-92-1. Při normálním používání se olovo neuvolní do plynu ani do okolního prostředí. Po skončení životnosti musí být výrobek zlikvidován autorizovanou firmou pro recyklaci kovů, aby byla zajištěna účinná likvidace materiálu s minimálním dopadem na životní prostředí a zdraví.

K dnešnímu dni nemáme žádné informace, které by naznačovaly, že v jakémkoli výrobku GCE jsou zahrnuty další materiály obsahující koncentrace SVHC nad 0,1 %.



POZNÁMKA!

- **Nebezpečí poškození životního prostředí nesprávnou likvidací!**
- Nesprávná likvidace může poškodit životní prostředí.
- Pověřte specializovanou licencovanou firmu, aby zlikvidovala elektrický odpad, elektronické komponenty, maziva a další pomocné materiály.
- Pokud máte pochybnosti, zeptejte se, jak zajistit šetrnou likvidaci vzhledem k ochraně životního prostředí na místní radnici nebo se obraťte na specializovanou likvidační firmu.

CS

www.linde.com

Toto zboží bylo vyrobeno na zakázku firmy Linde.

SISÄLTÖ

1. YLEISTÄ.....	286
1.1. TIETOA TÄSTÄ OHJEESTA	286
1.2. TIETOA PULLOPAINEENSÄÄTIMESTÄ	286
1.3. SYMBOLIEN SELITYKSET	287
1.4. VASTUUVELVOLLISUUDEN RAJOITTAMINEN	288
1.5. TEKIJÄNSUOJA	288
1.6. VARAOSAT	288
1.7. TAKUUMÄÄRÄYKSET	289
1.8. ASIAKASPALVELU	289
2. TURVALLISUUS.....	289
2.1. TARKOITUKSEN MUKAINEN KÄYTTÖ	289
2.1.1. PULLOPAINEENSÄÄTIMEN RAKENTEELLISET MUUTOKSET	289
2.2. OLENNAISET RISKIT	289
2.3. OMISTAJAN VASTUU	290
2.4. HENKILÖKUNTAVAATIMUKSET	291
2.4.1. PÄTEVYYS	291
2.4.2. VALTUUTTAMATTOMAT HENKILÖT	291
2.4.3. KOULUTUS	292
2.5. HENKILÖKOHTAINEN SUOJARUSTUS	292
2.6. KÄYTTÄYTYMINEN TULIPALO- JA ONNETTOMUUSTILANTEISSA	293
2.7. YMPÄRISTÖSUOJA	293
2.8. MERKINNÄT	293
2.8.1. SUOSITUSMERKIT	293
2.8.2. KIELTOMERKIT	293
2.8.3. VAROITUSMERKIT	293
3. TEKNISET TIEDOT.....	294
3.1. VIRTAAUSKAAVIO – YKSIVAIHEINEN VERSIO	294
3.2. VIRTAAUSKAAVIO – KAKSIVAIHEINEN VERSIO	296
3.3. MITTAPIIRROS	297
3.4. YLEISET TIEDOT	299
3.5. LIITÄNTÄARVOT	299
3.6. SUORITUSARVOT	299
3.7. YMPÄRISTÖN KÄYTTÖOLOSUHTEET	299
4. RAKENNE JA TOIMINTA	300
4.1. KROMIPINNOITETUSTA MESSINGISTÄ VALMISTETTU VERSIO	300
4.2. LYHYTKUVAUS	300
5. KULJETUS, PAKKAUS JA SÄILYTYS	300
5.1. KULJETUKSEEN LIITTYVÄT VAROTOIMET	300
5.2. KULJETUSTARKASTUS	300
5.3. PAKKAUS	301
5.4. SÄILYTYS	301
6. ASENTAMINEN JA ENSIMMÄINEN KÄYTTÖÖNOTTO.....	301
6.1. ASENNUKSEN JA ENSIMMÄISEN KÄYTTÖÖNOTON VAROTOIMET	301
6.2. VALMISTELEMINEN	301
6.3. ASENTAMINEN	301
6.3.1. VALMISTELEMINEN	302
6.3.2. KAASUPULLON LIITTÄMINEN	302
6.4. ENSIMMÄISTÄ KÄYTTÖÖNOTTOA KOSKEVAT EHDOT	303
6.5. ENSIMMÄINEN KÄYTTÖÖNOTTO	303
6.5.1. PROSESSIPUTKISTON TÄYTTÄMINEN PROSESSOITAVALLA KAASULLA	303
6.5.2. PULLON VAIHTAMINEN	303
6.5.3. KÄYTTÖSTÄ POISTAMINEN	304
6.6. TARKISTUKSET	304
7. KÄYTTÄMINEN	305

8. HUOLTAMINEN	305
8.1. HUOLTOA KOSKEVAT VAROTOIMET	305
8.2. HUOLTOSUUNNITELMA	305
8.3. HUOLTOTYÖT	305
8.3.1. PUHDISTAMINEN	305
8.3.2. HUOLTOEHDOT	305
8.3.3. TARPEELLISET HUOLTOTOIMET	306
8.4. HUOLLON JÄLKEISET TOIMET	306
9. VIANMÄÄRITYS	306
9.1. PURKAMISTA JA HÄVITTÄMISTÄ KOSKEVAT VAROTOIMET	306
10. PURKAMINEN JA HÄVITTÄMINEN	308
10.1. PURKAMISTA JA HÄVITTÄMISTÄ KOSKEVAT VAROTOIMET	308
10.2. PURKAMINEN	309
10.3. HÄVITTÄMINEN	309

1. YLEISTÄ

1.1. TIETOA TÄSTÄ OHJEESTA

Tämä ohje koskee alla olevien tyyppien yksi- ja kaksivaiheisia pullopaineensäätimiä:

- C12hv
- C200hv

Pullopaineensäätimet on tarkoitettu liitettäväksi suoraan kaasupulloihin ja niillä vähennetään matalien lähtöpainealueiden pullopainetta. Pullojen liitäntöjen kierteet ovat kunkin standardin (DIN 477, CGA, AFNOR jne.) ja kaasutyypin mukaan erilaisia. Huomioi tämä.

Tämä ohje mahdollistaa pullopaineensäätimen turvallisen ja tehokkaan käytön.

Käyttöohje on laitteeseen kuuluva osa, ja sitä on säilytettävä laitteen välittömästi läheisyydessä, jossa se on helposti henkilökunnan saavutettavissa. Henkilökunnan on luettava ja ymmärrettävä tämä ohje perusteellisesti ennen töiden aloittamista. Turvallisen käytön perustana on, että tämän ohjeen kaikkia varoituksia ja toimintaohjeita noudatetaan työskentelyn aikana. Sen lisäksi on noudatettava laitteen käyttöpaikan paikallisia onnettomuuden estämiseen tarkoitettuja määräyksiä ja yleisiä turvallisuusohjeita. Tämän ohjeen kuvat on tarkoitettu vain selkeyttämään asioita ja voivat poiketa tuotteen todellisesta ulkomuodosta.

1.2. TIETOA PULLOPAINEENSÄÄTIMESTÄ

Tätä pullopaineensäädintä saa käyttää ainoastaan vakiokaasuiksi määriteltyjen kaasujen kanssa. C12hv sisääntulon enimmäispaine on 12 baaria ja C200hv enintään 200 baaria.

Tuotesarja	(Puhtaus 6.0 kromipinnoitettu messinki)	(Puhtaus 6.0 ruostumaton teräs)
päästöventtiili ja FKM-istukka	<ul style="list-style-type: none"> • Käytettävät kaasut (ja niiden sekoitukset): <ul style="list-style-type: none"> • High Purity • Inerti • Palava • Syttyvä • O₂ • Ei käytettävät kaasut (ja niiden sekoitukset): <ul style="list-style-type: none"> • Syöpyvä • Myrkyllinen • CO₂, N₂O 	<ul style="list-style-type: none"> • Käytettävät kaasut (ja niiden sekoitukset): <ul style="list-style-type: none"> • High Purity • Inerti • Palava • Syttyvä (200 baariin asti) • Syöpyvä (selvitä epäselvyydet) <ul style="list-style-type: none"> • Myrkyllinen (selvitä epäselvyydet) <ul style="list-style-type: none"> • O₂: n yhteydessä käytettävissä 200 baariin asti • Ei käytettävät kaasut (ja niiden sekoitukset): <ul style="list-style-type: none"> • O₂ yli 200 baaria • CO₂, N₂O • NH₃, SO₂, H₂S

Päästöventtiili ja EPDM-istukka	<ul style="list-style-type: none"> • Käytettävät kaasut (ja niiden sekoitukset): <ul style="list-style-type: none"> • High Purity • Inertti • Palava • Syttyvä • CO₂, N₂O • Ei käytettävät kaasut (ja niiden sekoitukset): <ul style="list-style-type: none"> • Syöpyvä • Myrkyllinen • O₂ (Pitoisuus yli 21%) • Hiilivety 	<ul style="list-style-type: none"> • Käytettävät kaasut (ja niiden sekoitukset): <ul style="list-style-type: none"> • High Purity • Inertti • Palava • Syttyvä • Syöpyvä (selvitä epäselvyydet) <ul style="list-style-type: none"> • Myrkyllinen (selvitä epäselvyydet) <ul style="list-style-type: none"> • CO₂, N₂O • NH₃, SO₂, H₂S • Ei käytettävät kaasut (ja niiden sekoitukset): <ul style="list-style-type: none"> • O₂ (Pitoisuus yli 21%) • Hiilivety
---------------------------------	--	--

Tämän luettelon tiedot eivät ole täydelliset. Jos ilmenee kysyttävää, ota yhteyttä valmistajaan.

Tässä esitetään 6-teinen yksi- ja kaksivaiheinen pullopaineensäädin, jossa on metallikalvo. Tuote on valmistettu ja testattu standardin ISO7291 mukaisesti. Testi sisälsi pääsulkuventtiilien happipolttotestin (katso taulukko kohdassa 1.2). Pullopaineensäädin koostuu paineensäätörungosta, tulo- ja lähtöpaine-mittaristo, pulloliitännästä ja päästöventtiilistä. Säätimeen kuuluu erilaisia liitäntäruuveja ja/tai lisäosia, kuten:




- sulkuventtiili ulostulon kohdalla (A)
- säästöventtiili ulostulon kohdalla (B)
- inerttien kaasujen huuhteluventtiili sisään-tulon kohdalla (TP).
- inerttien kaasujen huuhteluventtiili sisään-tulon ja sulkuventtiili ulostulon kohdalla (TPA), vain ruostu-mattomasta teräksestä valmistetussa versiossa
- inerttien kaasujen huuhteluventtiili sisään-tulon ja säästöventtiili ulostulon kohdalla (TPB), vain ruostu-mattomasta teräksestä valmistetussa versiossa

Versiot C200/1 TP, C200/1 TPA, C200/1 TPB, C200/2 TP, C200/2 TPA ja C200/2 TPB mahdollista-vat paineensäätimen huuhtelun inerteillä kaasulla. Siten ne sopivat erityisesti syöpyvien ja myrkyllisten kaasujen käyttöyhteyteen.

Pullopaineensäädin mahdollistaa varustuksen huuhtelun ja kuivatuksen tai käytön aikana / pullon vaihtamisen yhteydessä paineensäätimeen joutuneen kostean ympäristöilman poistamisen sekä varus-tuksen huuhtelun, jolla siitä poistetaan myrkyllinen, syöpyvä tai itsestään syttyvä kaasu ennen laitteen käytöstä poistamista.

FI

1.3. SYMBOLIEN SELITYKSET

VAROTOIMET	Varotoimet on merkitty tässä ohjeessa symboleilla. Varotoimet osoitetaan merkkisanoilla, jotka kertovat vaaran asteesta.
	<p>VAARA!</p> <p>Tämä symbolin ja merkkisanan yhdistelmä viittaa välittömään vaaratilanteeseen, joka johtaa kuolemaan tai vakavaan loukkaantumiseen, jos tilannetta ei vältetä.</p>
	<p>VAROITUS!</p> <p>Tämä symbolin ja merkkisanan yhdistelmä viittaa mahdolliseen vaaratilanteeseen, joka voi johtaa kuolemaan tai vakavaan loukkaantumiseen, jos tilannetta ei vältetä.</p>
	<p>HUOMIO!</p> <p>Tämä symbolin ja merkkisanan yhdistelmä viittaa mahdolliseen vaaratilanteeseen, joka voi johtaa lievään loukkaantumiseen, jos tilannetta ei vältetä.</p>

	HUOMAUTUS!
	Tämä symbolin ja merkkisanan yhdistelmä viittaa mahdolliseen vaaratilanteeseen, joka voi johtaa esine- tai ympäristövahinkoon, jos tilannetta ei välitetä.
	NEUVOT JA SUOSITUKSET
	Tämä symboli nostaa hyödyllisiä neuvoja, suosituksia ja tietoja esille, jotka varmistavat laitteen tehokkaan ja virheettömän käytön.
ERITYISHUOMIOT	Varoimissa on seuraavia symboleja, joilla viitataan erityisiin varoihin.
	VAARA!
	Tämä symbolin ja merkkisanan yhdistelmä viittaa sähköstä johtuvaan välittömään vaaratilanteeseen. Jos tätä varoitusta ei huomioida, se voi johtaa vakaviin tai tappaviin loukkaantumisiin.

1.4. VASTUUVELVOLLISUUDEN RAJOITTAMINEN

Kaikki tämän ohjeen tiedot ja huomautukset on luotu voimassa olevia standardeja ja nykytekniikkaa huomioiden sekä monivuotiseen tietoomme ja kokemukseemme perustuen.

Valmistaja ei kannu vastuuta vahingoista seuraavissa tapauksissa:

- Jos tätä käyttöohjetta ei huomioida
- Jos laitetta käytetään muulla kuin tarkoituksenmukaisella tavalla
- Jos laitetta käyttää muu kuin ammattihenkilökunta
- Jos laitteeseen tehdään omavaltaisesti teknisiä tai rakenteellisia muutoksia
- Jos laitteessa käytetään valtuuttamattomia varaosia
- Jos painekäyttöistä laitetta käytetään viallisella turvavarustuksella tai epäasianmukaisesti asennetulla tai epätoimivilla turvallisuus- ja suojaruukuksella
- Jos laitteen kuluneita varustus-, ruuvaus- ja tiivistekohtia ei valvota
- Jos korjaukset on toteutettu epäasianmukaisesti
- Jos asiakirjassa annettu käyttö- tai säilytyslämpötilan rajoitus on alitettu tai ylitetty
- Vierasesineen tai aavistamattoman olosuhteen aiheuttama katastrofitapaus.

Toimituksen todellinen laajuus voi poiketa tässä esitetystä selostuksesta ja kuvauksesta, mikä voi johtua erityisversioista, lisävalintojen käyttöönotosta tai tekniikan kehittymisestä aiheutuvista muutoksista. Toimitussopimuksessa määritetyt vastuut, yleiset myyntiehdot ja valmistajan toimitusehdot ovat voimassa sopimusajankohdan ja voimassa olevien lainmukaisten säännösten mukaan.

1.5. TEKIJÄNSUOJA

Tämän käyttöohjeen sisältö on tekijänsuojattu. Ohjetta saa käyttää laitteen käyttöön yhteydessä. Muu kuin edellä esitetty käyttö on kielletty ilman valmistajan kirjallista suostumusta.

1.6. VARAOSAT



VAROITUS!

- Väärät varaosat voivat aiheuttaa loukkaantumisvaaran!
- Väärien varaosien käyttäminen voi johtaa henkilökunnan vaarantumiseen sekä aiheuttaa laitteen vaurioitumisen, virheellisen toiminnan tai täydellisen hajoamisen.
- Käytä valmistajan alkuperäisiä tai valtuuttamia varaosia.
- Jos ilmenee epäselvyyksiä, selvitä ne valmistajalta.



TAKUUN MENETYS

- Valmistajan takuu raukeaa, jos käytät valtuuttamattomia varaosia.

1.7. TAKUUMÄÄRÄYKSET

Antamamme yleiset myynti- ja toimitusehdot ovat voimassa. Ne ovat sopimuksen tekohetkestä lähtien asiakkaan saatavilla.

1.8. ASIAKASPALVELU

Otamme mielellämme tietoa ja kokemuksia vastaan, jotka liittyvät tuotteidemme käyttöön ja joilla niitä voidaan parantaa.

2. TURVALLISUUS

Tässä osiossa on yleistietoa tärkeistä turvallisuusseikoista, joilla voidaan suojella henkilökuntaa ja varmistaa laitteen virheettömän käytön. Muita käyttötehtäviin liittyviä varoituksia on esitetty käyttöiän yksittäisten vaiheiden mukaisissa osioissa.

2.1. TARKOITUKSEN MUKAINEN KÄYTTÖ

C12hv- ja C200hv-tyypin pullopaineensäädintä saa käyttää vain tässä ohjeessa annettujen kaasujen ja paineiden kanssa sekä noudattamalla annettuja lämpötilarajoituksia. Normaali tilavuusvirta on standardin ISO 2503 mukaisesti 20 m³/h (paineilma). Tarkoituksenmukaiseen käyttöön luetaan myös, että tämän käyttöohjeen tietoja ja ohjeita noudatetaan, määrättyistä tarkastus- ja huoltotoistista pidetään kiinni sekä tyyppikilven ja tietolehtien ohjeita huomioidaan.

Jos laitetta käytetään muulla kuin tarkoituksenmukaisella tavalla, se katsotaan virheelliseksi käytöksi.



VAROITUS!

- **Virheellinen käyttö aiheuttaa vaaraa!**
- Pullopaineensäätimen virheellinen käyttö voi johtaa vaarallisiin tilanteisiin.
- Älä koskaan käytä pullopaineensäädintä läpivirtaussäätimenä tai sulkuventtiilinä.
- Älä koskaan käytä pullopaineensäädintä nesteiden kanssa.

2.1.1. PULLOPAINEENSÄÄTIMEN RAKENTEELLISET MUUTOKSET

Pullopaineensäätimeen ei saa tehdä muutoksia, lisäyksiä tai rakennemuutoksia ilman valmistajan kirjallista suostumusta.

Jos pullopaineensäädin ei ole moitteettomassa kunnossa, se on vaihdettava välittömästi.

Kaasulaitteiden puhdistaminen ja jäämien hävittäminen

Käytössä olleet ja korjausta odottavat pullopaineensäätimet on huuhdeltava inertillä kaasulla (tyyppillä).

Melu

Joissain tapauksissa tietyt vaikutussuureet, kuten virtaus ja painealue, sekä kaasutyyppi voivat aiheuttaa melua. Jos näin käy, ole yhteydessä valmistajaan.

2.2. OLENNAISET RISKIT

Seuraavassa osiossa on esitetty pysyvät riskit, joita voi aiheutua laitteen käytöstä, vaikka käyttö olisi tarkoituksenmukainen. Jotta henkilö- ja esinevahinkojen riskiä voidaan alentaa ja vaarallisia tilanteita välttää, on huomioitava käyttöohjeen tässä sekä muissa osioissa esitetyt varoituksia.



VAARA!

- **Kaasut voivat olla hengenvaarallisia!**
- Kaasut voivat korvata ympärillä olevan ilman ja siten myös siinä olevan hapen. Tämä voi aiheuttaa tukehtumisesta johtuvan kuoleman. Happi muodostaa erittäin oksidatiivisen ympäristön. Syttyvät kaasut voivat muodostaa räjähdysriskin ympäristön.

HUOMIOI SIKSI SEURAAVAA:

- Huolehdi ilman vaihtuvuudesta!
- Asennuksen saa tehdä vain sertifioitu ammattiyhtymä!
- Huomioi ATEX-määräykset.



HUOMIO!

- **Ympäristön aiheuttamat vaarat!**
Laitte voi vioittua kondensoitumisesta tai jäätymisestä johtuen.

HUOMIOI SIKSI SEURAAVAA:

- Huomioi lämpötila-alueet!
- Suojaa laite ulkopuolisilta nesteiltä!
- Suojaa laite ulkopuoliselta pölyltä!
- Asenna laite säänkestävästi!
- Asenna saatavillasi oleva maadoitus asianmukaisesti!



VAROITUS!

- **Öljyn ja rasvan käyttö aiheuttaa onnettomuusvaaran!**

Paineensäätöjärjestelmissä ei saa käyttää öljyä tai rasvoja. Öljyt ja rasvat ovat helposti syttyviä ja ne reagoivat voimakkaasti tiettyihin tiivistettyihin kaasuihin.

HUOMIOI SIKSI SEURAAVAA:

- Älä missään tapauksessa käytä öljyä tai rasvaa!



VAROITUS!

- **Onnettomuusvaara järjestelmään varastoituneen energian vuoksi!**

Laitteen vääränlainen käsittely voi saada paineen alla olevat osat liikkumaan epäkontrolloidusti ja aiheuttaa siten vakavia tai jopa tappavia loukkaantumisia. Laitteen vääränlainen käyttö voi aiheuttaa kaasun suihkuamisen ulos paineen alla olevista osista ja aiheuttaa siten vakavia tai jopa tappavia loukkaantumisia.

HUOMIOI SEURAAVAA ENNEN JOKAISTA PAINEEN ALLA OLEVAN OSAN KÄYTTÖÄ:

- Asennuksen saa tehdä vain sertifioitu ammattiryitys!
- Käytä suojalaseja!
- Käytä kuulosuojaimia!
- Varmista, ettei järjestelmään ole muodostunut painetta!
- Varmista, ettei järjestelmässä ole enää varastoitunutta energiaa!
- Varmista, ettei laitteesta voi tulla kaasua tahattomasti ulos!
- Varmista, että ammattihenkilökunta vaihtaa rikkiiniset osat välittömästi!



VAROITUS!

- **Onnettomuusvaara!**

Laitteen vääränlainen asentaminen voi aiheuttaa vakavia tai jopa tappavia loukkaantumisia.

HUOMIOI SIKSI SEURAAVAA:

- Varmista, ettei laite voi pudota asennuksen aikana!
- Älä heitä laitteita!

Paineen alla olevia osia saa käyttää vain tarkoituksenmukaisesti.

Jos putkisto tai varustus vaurioituu mekaanisesti, järjestelmä on asetettava turvalliseen käyttöön (eli otettava kysessä oleva osa pois käytöstä).

Ammattihenkilökunnan tai valmistajan on korjattava häiriöt, jotka voivat vaikuttaa laitteen turvallisuuteen, välittömästi.

Etenkin kaasujen yhteydessä on olemassa putkistosäätimen vaurioitumisvaara. Merkkejä tästä ovat joko kaasuvirtaus paineensäätimen jälkeen tai yllättävä taustapaineen nousu. Jos paineensäädin vahingoittuu, järjestelmä on otettava välittömästi pois käytöstä. Tiedota vastuussa olevaa huoltoyritystä ehdottomasti tästä asiasta. Älä koskaan sulje poistoputkistoa.

2.3. OMISTAJAN VASTUU

OMISTAJA

Omistaja on henkilö, joka käyttää laitetta ammatinharjoittamisessa tai taloudellisen hyödyn saavuttamisessa tai joka antaa kolmannen osapuolen käyttää laitetta ottamalla tuotteen käyttäjän, henkilökunnan tai kolmannen osapuolen suojan vastuulle.

OMISTAJAVASTUU

Laitetta käytetään ammattialalla. Siitä syystä laitetta koskee työturvallisuuden lainmukaiset säädökset.

Tämän käyttöohjeen varotoimien lisäksi on noudatettava laitteen käyttöaluetta koskevia turvallisuus-, onnettomuudenesto- ja ympäristösuojamääräyksiä.

TÄMÄ KOSKEE ETENKIN SEURAAVAA:

- Omistajan on hankittava tietoa voimassa olevista työsuojamääräyksistä ja selvítettävä vaaratilannearvioilla vaaroja, jotka aiheutuvat tietyistä työolosuhteista laitteen käyttöpaikassa. Omistajan on toteutettava arvion esille tuomat käyttövaatimukset laitteen käytössä.
- Omistajan on koko laitteen käyttöajan aikana tarkistettava, vastaavtko hänen laatimansa käyttövaatimukset ajankohtaisia säännöstöjä, ja muokattava niitä tarvittaessa.
- Omistajan on säädettävä ja määritettävä asennuksen, käytön, vianmäärityksen, huollon ja puhdistuksen vastuualueet selkeästi.
- Omistajan on huolehdittava siitä, että kaikki laitetta käsittelevät henkilöt ovat lukeneet ja ymmärtäneet nämä käyttöohjeet. Lisäksi hänen on huolehdittava henkilökunnan koulutuksesta ja vaarojen tiedottamisesta säännöllisin väliajoin.
- Omistajan on tarjottava vaadittava suojavarustus henkilökunnan käyttöön ja ohjeistettava käyttämään niitä.

Lisäksi operaattori on vastuussa siitä, että järjestelmän täysi tekninen luotettavuus on aina taattu.

NÄIN OLLEN SOVELLETAAN SEURAAVAA:

- Käyttäjän on varmistettava, että tässä käsikirjassa määriteltyjä huoltovälejä noudatetaan.
- Käyttäjän on varmistettava, että kaikkien turvalaitteiden toimintavarmuus ja täydellisyys tarkastetaan säännöllisesti.

2.4. HENKILÖKUNTAVAATIMUKSET

2.4.1. PÄTEVYYS

Tässä ohjeessa esitetyt erilaiset tehtävät asettavat niissä toimiville henkilöille erilaisia pätevyysvaatimuksia.



VAROITUS!

- **Epäpätevä henkilö voi aiheuttaa vaaran!**
- Epäpätevä henkilö voi aiheuttaa vaaran!
- Epäpätevä henkilö ei osaa arvioida laitteen käyttöön liittyviä riskejä ja asettavat siten itsensä ja muita ihmisiä vakavan tai hengenvaarallisen loukkaantumisen vaaraan.
- Työtehtävät saa hoitaa vain pätevä henkilö!
- Älä päästä epäpäteviä henkilöitä työalueelle!

Työtehtäviä saa hoitaa vain henkilö, jolta voi odottaa kyseisen tehtävän tunnollista suorittamista. Henkilöt, joiden reaktiokyky on alentunut esim. huumeiden, alkoholin tai lääkityksen vaikutuksen alaisena, eivät ole sallittuja.

Tässä ohjeessa esitetään seuraavaksi henkilöiden pätevyudet erilaisissa tehtävissä:

KAASUTEKNIIKAN TUNTEVA INSINÖÖRI

Henkilö, jolla on ammattikoulutus, riittävä osaaminen, kokemus ja tieto standardeista ja määräyksistä, joita vaaditaan paineilmajärjestelmän kanssa työskentelemiseen ja mahdollisten riskien tunnistamiseen. Kaasutekniikkaan erikoistuneet insinöörit on koulutettu ja he tuntevat etenkin kyseisen tuotantopaikan ja sen yksilölliset standardit ja määräykset.

TEKNIKKO

Henkilö, jolla on ammattikoulutus, riittävä osaaminen, kokemus ja tieto standardeista ja määräyksistä, joita vaaditaan paineilmajärjestelmän kanssa työskentelemiseen ja mahdollisten riskien tunnistamiseen.

2.4.2. VALTUUTTAMATTOMAT HENKILÖT



VAROITUS!

- **Valtuuttamattomat henkilöt aiheuttavat vaaroja vaara- ja työalueella!**
- Valtuuttamattomat henkilöt, jotka eivät tunne tässä ohjeessa esitettyjä vaatimuksia, eivät tunne työalueen vaaroja.
- Siksi valtuuttamattomat henkilöt voivat joutua vaaraan loukkaantua vakavasti tai hengenvaarallisesti.
- Älä päästä valtuuttamattomia henkilöitä lähelle vaara- ja työaluetta!
- Jos vaara- ja työalueella on henkilö, jonka pätevyydestä et ole varma, ota asia henkilön kanssa puheeksi ja ohjaa hänet pois alueelta!
- Keskeytä työt siksi ajaksi, kun vaara- ja työalueella on valtuuttamattomia henkilöitä!

2.4.3. KOULUTUS

Omistajan on huolehdittava henkilökunnan säännöllisestä kouluttamisesta. Seurannan helpottamiseksi omistajan on luotava koulutusprotokolla, joka sisältää seuraavat vähimmäistiedot:

- Koulutuksen päivämäärä
- Kouluttajan nimi
- Koulutuksen sisältö
- Koulutettavan nimi
- Kouluttajan ja koulutettavan allekirjoitukset.

2.5. HENKILÖKOHTAINEN SUOJARUSTUS

Suojavarustus on tarkoitettu suojaamaan henkilöitä vaikutuksilta, jotka voivat vaarantaa heidän turvallisuuttaan tai terveyttään.

Henkilökunnan on käytettävä laitteen kanssa työskennellessään henkilökohtaista suojavarustusta, johon viitataan erikseen yksittäisissä osioissa ja ohjeissa.

HENGITYSSUOJAIN, RIIPPUMATON YMPÄRISTÖN ILMASTA



Suojaa vaarallisilta kaasuilta, höyryiltä, pölyltä ja vastaavilta aineilta. Tarvitset hengityssuojainta, kuten paineilmahengityslaitetta, jos ympäristön happipitoisuus ei ole yli 17 % ja/tai jos ympäristössä olevien haitallisten aineiden raja-arvon ylittymistä ei voida sulkea pois. Vain koulutettu henkilökunta saa käyttää kannettavia hengityssuojaimia.

HENGITYSSUOJAIN, RIIPPUMATON YMPÄRISTÖN ILMASTA



Suojaa vaarallisilta kaasuilta, höyryiltä, pölyltä ja vastaavilta aineilta. Tarvitset hengityssuojainta, jos ympäristössä olevien haitallisten aineiden raja-arvon ylittymistä ei voida sulkea pois. Käytä hengityssuojainta vain, jos ympäristön happipitoisuus on yli 17 %.

SUOJALASIT



Suojaavat lentäviltä osilta ja tippoilta.

KÄSINEET, RESISTENTIT KEMIKAALEILLE



Suojaavat käsiä väkeviltä ainesosilta. Varmista, että käsineet ovat tiiviit. Hävitä käsineet käytön jälkeen asianmukaisesti.

SUOJAKÄSINEET



Käsien suojaaminen mekaanisilta vaikutuksilta ja kuumilta sekä kylmiltä pinnoilta.

KÄYTÄ KUULOSUOJAIMIA



Suojaaa kuuloasi kovilta ääniltä ja estää kuulovamma.

2.6. KÄYTTÄYTYMINEN TULIPALO- JA ONNETTOMUUSTILANTEISSA

ENNALTA EHKÄISEVÄT TOIMET

- Ole aina varautunut tuleen ja onnettomuuksiin!
- Säilytä ensiaputarvikkeita (sidetarvikelaatikkoa, peittoa jne.) ja palonsammutusvälineitä käyttövalmiudessa.
- Varmista, että henkilökunta tuntee onnettomuuden ilmoittamisen, ensiavun ja pelastuslaitoksien säännöt ja käytännöt.
- Pidä pelastusteiden kulkuväylät avoimina.

TOIMET TULIPALO- JA ONNETTOMUUSTILANTEISSA

- Jos oma terveys ei ole vaarassa, auta muita henkilöitä pois vaara-alueelta.
- Anna tarvittaessa ensiapua.
- Hälytä palokunta ja/tai pelastuslaitos.
- Tulipalon syttyessä: Jos oma terveys ei ole vaarassa, yritä sammuttaa tuli palonsammutusvälineillä, kunnes palokunta saapuu paikalle.
- Kerro tapahtumapaikan vastuuhenkilölle tapahtuneesta.
- Huolehdi, että pelastusteiden kulkuväylät ovat avoimina.
- Ohjeista pelastusajoneuvot paikalle.

2.7. YMPÄRISTÖSUOJA



HUOMIOITAVAA!

- **Jos ympäristölle haitallisia aineita käytetään väärin, siitä aiheutuu ympäristövaara!**
- Ympäristölle haitallisten aineiden käyttäminen väärällä tavalla, etenkin niiden vääränlainen hävittäminen, voi aiheuttaa huomattavia ympäristövaaroja.
- Huomioi alla esitetyt ympäristölle haitallisia aineita ja niiden hävittämistä koskevia ohjeita aina!
- Jos ympäristölle haitallisia aineita päätyy ympäristöön, toimi heti vaaditulla tavalla.
- Jos olet epävarma, ota yhteyttä vastuussa olevaan viranomaiseen ja kerro vahingosta, jotta saat tietoa vaadituista toimintatavoista.

2.8. MERKINNÄT



VAROITUS!

- **Vaikeaselkoiset merkinnät aiheuttavat vaaraa!**
- Ajan saatossa tarrat ja kyltit voivat likaantua tai muuttua muulla tavalla vaikeaselkoisiksi, jolloin vaaroja ei voida tunnistaa ja tarvittavia käyttötapoja ei osata noudattaa. Tämä aiheuttaa loukkaantumisvaaran.
- Säilytä kaikki turvallisuus-, varoitus- ja käyttöohjeet aina hyvin luettavassa kunnossa.
- Uusi vahingoittuneet kyltit tai tarrat välittömästi.

2.8.1. SUOSITUSMERKIT

- Ei merkkejä

2.8.2. KIELTOMERKIT

- Ei merkkejä

2.8.3. VAROITUSMERKIT



KAASUPULLOVAROITUS



RÄJÄHDYSHERKÄN
YMPÄRISTÖN VAROITUS

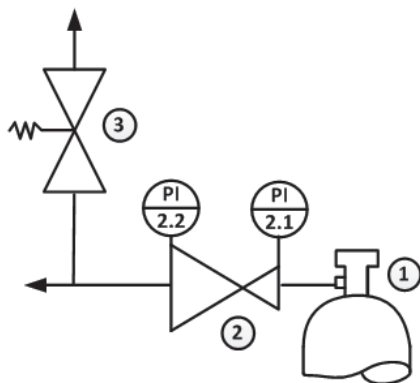


MYRKYLLISTEN JA/TAI
YÖVYTTÄVIEN AINEIDEN
VAROITUS

3. TEKNISET TIEDOT

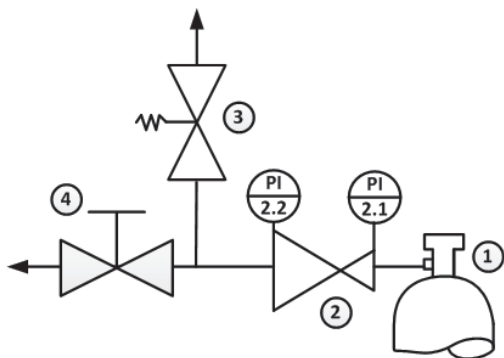
3.1. VIRTAUSKAAVIO – YKSIVAIHEINEN VERSIO

C12HV/1



- 1 – KAASUPULLO
- 2 – PAINEENSÄÄDIN
- 3 – PÄÄSTÖVENTTIILI

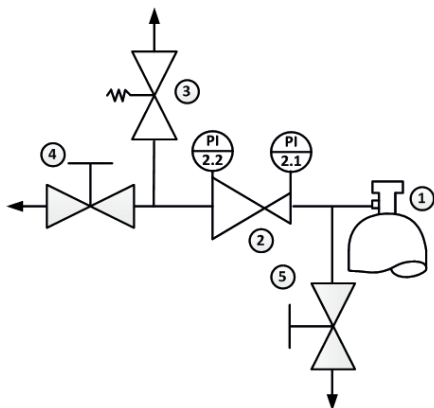
C12HV/1 A



- 1 – KAASUPULLO
- 2 – PAINEENSÄÄDIN
- 3 – PÄÄSTÖVENTTIILI
- 4 – SULKUVENTTIILI

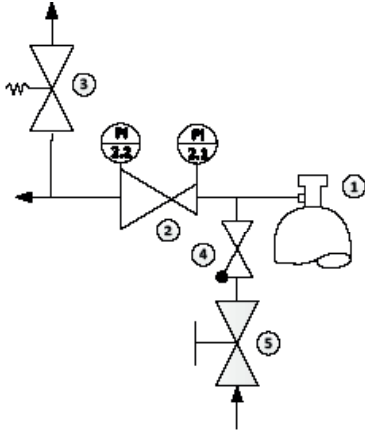
FI

C12HV/1 B



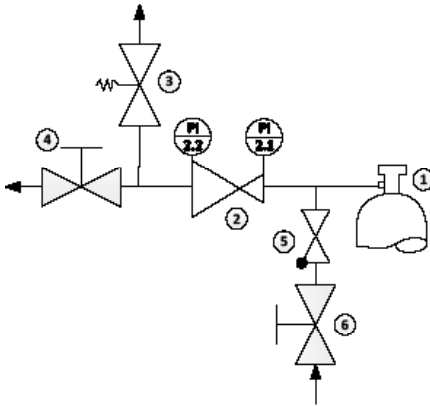
- 1 – KAASUPULLO
- 2 – PAINEENSÄÄDIN
- 3 – PÄÄSTÖVENTTIILI
- 4 – SÄÄTÖVENTTIILI
- 5 – TYHJENNYSVENTTIILI

C12HV/1 TP



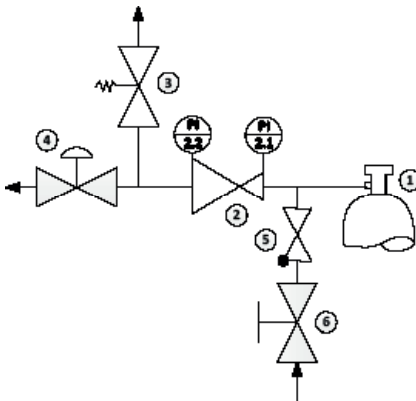
- 1 – KAASUPULLO
- 2 – PAINEENSÄÄDIN
- 3 – PÄÄSTÖVENTTIILI
- 4 – SUUNTAVENTTIILI
- 5 – INERTIN KAASUN HUUHTELU-VENTTIILI

C12HV/ TPA



- 1 – KAASUPULLO
- 2 – PAINEENSÄÄDIN
- 3 – PÄÄSTÖVENTTIILI
- 4 – SUUNTAVENTTIILI
- 5 – INERTIN KAASUN HUUHTELU-VENTTIILI

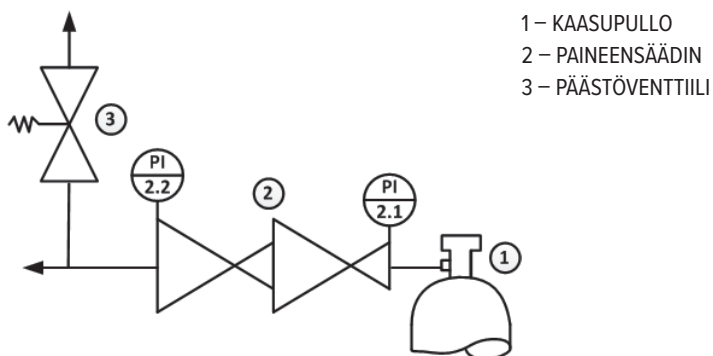
C12HV/ TPB



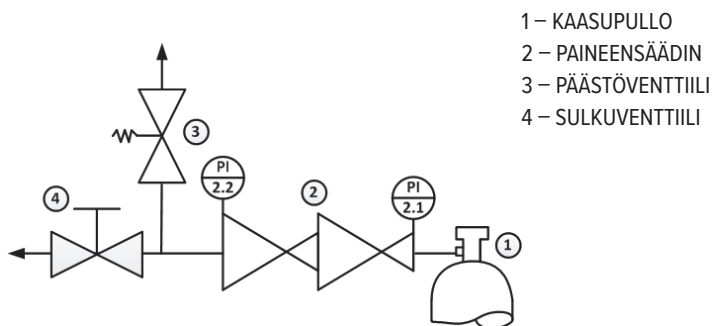
- 1 – KAASUPULLO
- 2 – PAINEENSÄÄDIN
- 3 – PÄÄSTÖVENTTIILI
- 4 – SÄÄTÖVENTTIILI
- 5 – SUUNTAVENTTIILI
- 6 – INERTIN KAASUN HUUHTELU-VENTTIILI

3.2. VIRTAAUSKAAVIO – KAKSIVAIHEINEN VERSIO

C200HV/2

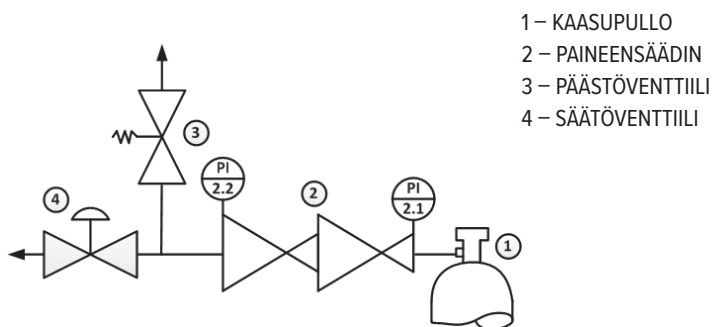


C200HV/2 A



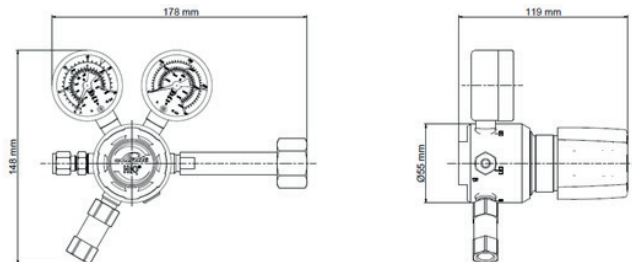
FI

C200HV/2 B

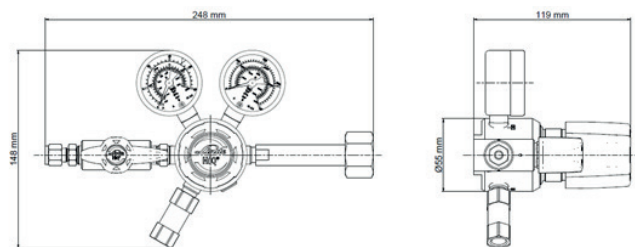


3.3. MITTAPIIRROS

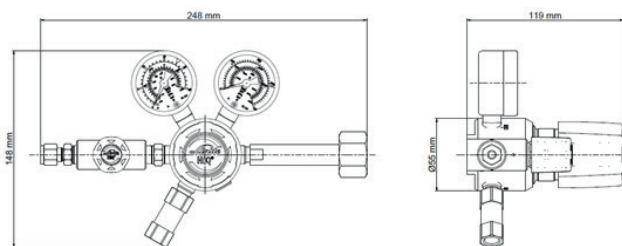
YKSIVAIHEINEN



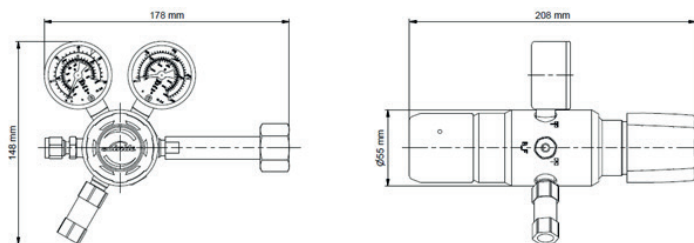
VERSIO A | YKSIVAIHEINEN



VERSIO B | YKSIVAIHEINEN

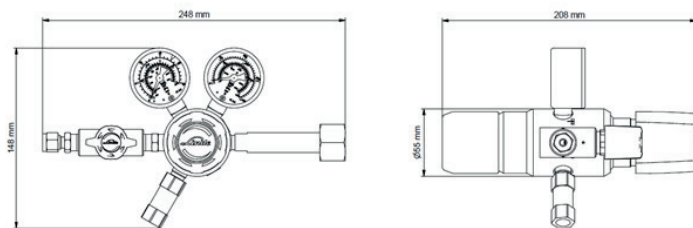


KAKSIVAIHEINEN

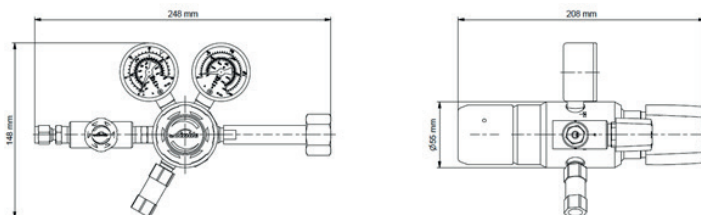


FI

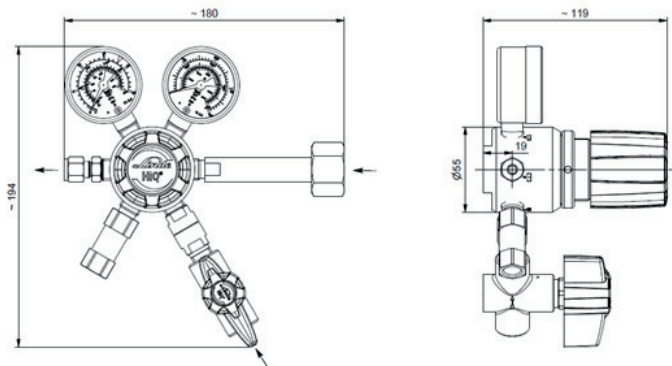
VERSIO A | KAKSIVAIHEINEN



VERSIO B | KAKSIVAIHEINEN

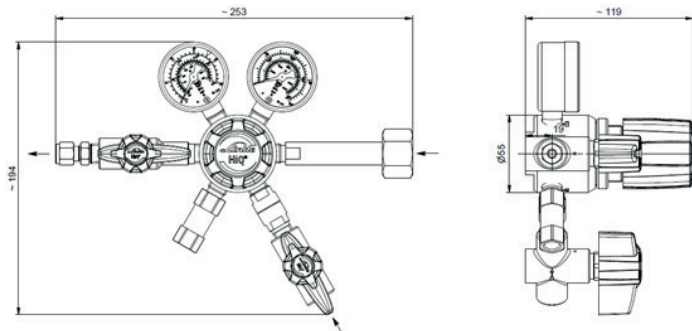


VERSIO TP | YKSIVAIHEINEN

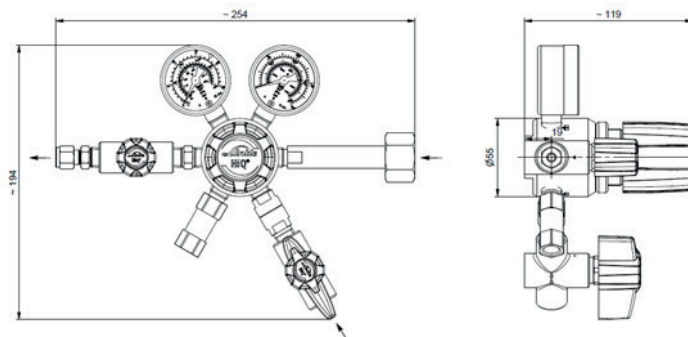


FI

VERSIO TPA | YKSIVAIHEINEN



VERSIO TPB | YKSIVAIHEINEN



3.4. YLEISET TIEDOT

Tieto	Yksivaiheinen kromipinnoitettu messinki	Kaksivaiheinen kromipinnoitettu messinki	Yksivaiheinen ruostumaton teräs	Kaksivaiheinen Ruostumaton teräs
maks. paino [kg]	2,5	3,3	4,04	4,93
Pituus [mm]	223	223	263	263
Leveys [mm]	114	202	114	202
Korkeus [mm]	168	168	168	168

3.5. LIITÄNTÄARVOT

Tieto	Arvo	Yksikkö
Tulo	DIN477 AFNOR BS CGA jne.	Pulloliitännät
Lähtö	1/8", 1/4", 3/8", 1/2" 3, 6, 8, 10, 12 4,8; 6,4; 8,0	Kiristysrenkas tuuma Kiristysrenkas mm Letkumuovi mm (maks. 15 baaria)
Poistoventtiili	1/4"	Kiristysrenkas tuuma

FI

3.6. SUORITUSARVOT

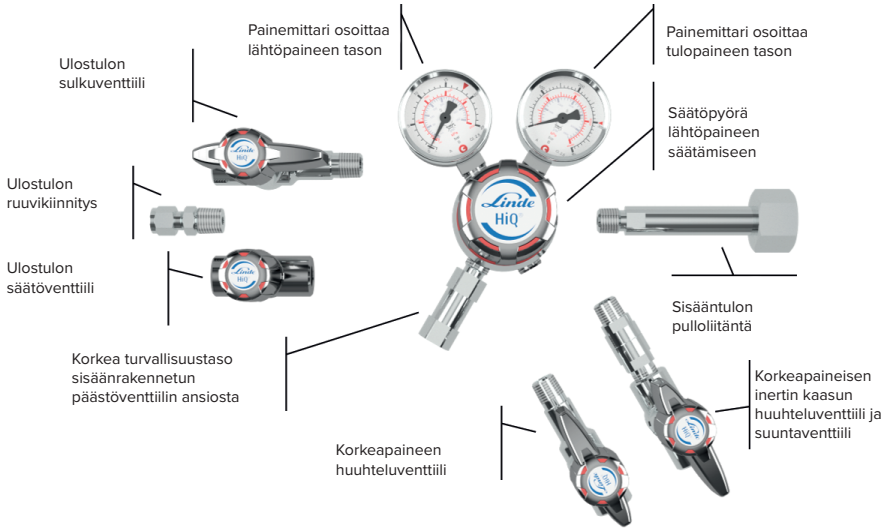
Tieto	Arvo	Yksikkö
Normaali läpivirtaus (ISO 2503)	20 (Paineilma)	m ³ /h
Tulopaine (maks.)	C12hv - 12 bar C200hv - 200 bar	baaria
Lähtöpaine (maks.)	200 (riippuvainen tulopaineesta)	baaria

3.7. YMPÄRISTÖN KÄYTTÖOLOSUHTEET

Tieto	Arvo	Yksikkö
Lämpötila-alue	-20 till +60	°C
Suhteellinen kosteus (maks.)	98	%

4. RAKENNE JA TOIMINTA

4.1. KROMIPINNOITETUSTA MESSINGISTÄ VALMISTETTU VERSIO



4.2. LYHYTKUVAUS

Pullopaineensäädintä käytetään manuaalisesti säätöpyörän avulla. Katso lähtö- ja tulopaine aina tulo- tai lähtöpainemittarista. Seuraavia lisäosia käytetään laitteen kanssa:

- ulostulon kohdalle asennettu sulkuventtiili, jolla suljetaan lähtöpaine
- ulostulon kohdalle asennettu säätöventtiili, jolla säädetään lähtöpainetta
- inerttien kaasujen huuhteluventtiili ja suuntaventtiili, joilla huuhdellaan järjestelmän tulopaineen puoli.

FI

5. KULJETUS, PAKKAUS JA SÄILYTYS



NEUVOT JA SUOSITUKSET!

- Ihanteellista on, että valmistajan työntekijät tai tämän valtuuttamat henkilöt tekevät asennuksen.
- On myös mahdollista, että käyttäjä tai omistajan huoltohenkilökunta tutustuu asennuksen ja muun käytön aikana pakkausosien käsittelyyn. Tällöin on ehdottomasti huomioitava seuraavat ohjeet.

5.1. KULJETUKSEEN LIITTYVÄT VAROTOIMET



HUOMIOITAVAA!

- **Epäasianmukainen kuljetus voi aiheuttaa esinevahingon!**
- Epäasianmukaisessa kuljetuksessa kuljetettavat osat voivat kaatua tai pudota. Siitä voi aiheutua merkittäviä esinevahinkoja.
- Ole varovainen, kun purkaat saapuneen kuljetuksen osia ja kuljetat osia sisäisesti. Huomioi pakkausten symboleja ja huomioita.
- Käytä vain annettuja kiinnityskohtia.
- Poista tuotteet pakkauksesta vasta juuri ennen asentamista.

5.2. KULJETUSTARKASTUS

Tarkista toimitus heti sen vastaanottamisen jälkeen eheyden ja kuljetusvahinkojen varalta.

JOS HAVAITSET ULKOISIA KULJETUSVAHINKOJA, TOIMI SEURAAVASTI:

- Ota toimitus vain ehdollisena vastaan tai älä ota sitä ollenkaan vastaan.
- Kirjaa vahingon laajuus kuljettajan kuljetusasiakirjoihin tai toimitusluetteloon.
- Tee reklamaatio.



NEUVOT JA SUOSITUKSET!

- Reklamoi kaikki putteet, heti huomattuasi ne. Vahingonkorvausta voi saada vain takuun voimassaolon aikana.

5.3. PAKKAUS

Yksittäiset pakkauksen osat on pakattu oletettujen kuljetusolosuhteiden mukaan. Pakkauksessa on käytetty vain ympäristöystävällisiä materiaaleja.

Pakkauksen on tarkoitus suojata yksittäisiä osia kuljetusvahingoilta, ruostumiselta ja muilta vaurioilta asennukseen asti. Älä siksi tuhoa pakkausta ja poista se vasta juuri ennen asennusta.



HUOMIOITAVAA!

- **Vääränlainen hävittäminen aiheuttaa ympäristövaaran!**
- Pakkausmateriaalit koostuvat arvokkaista raaka-aineista ja voidaan useissa tapauksissa muokata ja hyödyntää uudelleen. Vääränlainen hävittäminen voi aiheuttaa ympäristövaaran.
- Hävitä pakkausmateriaalit ympäristöystävällisesti.
- Huomioi paikallisia hävitystä koskevia määräyksiä. Tilaa hävityspalvelu tarvittaessa ammattiyritykseltä.

5.4. SÄILYTYS

Säilytä pakkausosat seuraavissa olosuhteissa:

- Älä säilytä niitä ulkona.
- Säilytä niitä kuivassa ja pölyttömässä paikassa.
- Älä altista niitä väkeville aineille.
- Suojaa niitä auringonvalolta.
- Vältä mekaanista tärinää.
- Säilytyslämpötila: 15–35 °C.
- Suhteellinen ilmankosteus: maks. 60 %.
- Jos säilytys kestää yli 3 kuukautta, tarkista kaikkien osien ja pakkausten yleinen kunto säännöllisesti. Uusi tai paranna säilytystä tarvittaessa.



NEUVOT JA SUOSITUKSET!

- Joissain olosuhteissa pakkausosissa on säilytysohjeita, jotka ylittävät tässä esitetyt vaatimukset. Noudata kyseisiä ohjeita.

FI

6. ASENTAMINEN JA ENSIMMÄINEN KÄYTTÖNOTTO

6.1. ASENNUKSEN JA ENSIMMÄISEN KÄYTTÖNOTON VAROTOIMET

HENKILÖKUNTA

Vain ammattihenkilökunta saa asentaa ja ottaa laitteen käyttöön.

6.2. VALMISTELEMINEN

PAKKAUKSESTA PURKAMINEN

- Osat on purettava varovaisesti ja harkiten.
- Irrota myös lisäpakkausmateriaalit.
- Tarkista kaikki osat kuljetusvahinkojen varalta.

KAASUN PURKAMINEN

- Purkaa mahdollinen kaasupaine laitteistosta tai huuhtele se inerttikaasulla.
- Irrota mahdollisten laitteistojen putkistot erikoisvälineillä, vältä leikkuujätettä
- Varmista, että liitososat ovat erinomaisessa kunnossa ja puhtaita.

6.3. ASENTAMINEN

Käytä pulloliitännällä varustettuja paineenalentimia vain eri kaasujen sekä kansallisten ja kansainvälisten ohjeiden (DIN477, CGA, AFNOR jne.) mukaisesti.



VAARA!

- Pulloventtiilin ja kiristysmuttereiden kierteiden on oltava moitteettomassa kunnossa.



VAROITUS!

- Käytä aina vain uusia tiivisteitä. Tiivisteet eivät saa olla epämuodostuneet ja eikä niissä saa olla jälkiä liasta tai metallipurusta.
- Yhdessä tiivistekohdassa ei saa käyttää useampia tiivisteitä. Käytetyt tiivisteet on hävitettävä.



VAROITUS!

- Älä käytä ruuviavaimen jatkovartta, koska se voi hajottaa kierteet ja tiivisteen.
- Tämä voi johtaa vuotoihin, hallitsemattomaan kaasunpurkaukseen tai kaasunaraston täydelliseen kaasuvuotoon.
- Käytetyt tiivisteet on hävitettävä.



VAROITUS!

- Myrkyllisiä tai syövyttäviä kaasuja sisältävien pullojen liittämisen ja vaihtamisen aikana on käytettävä soveltuvia henkilösuojavarusteita (hengityssuojaimia, silmäsuojia ja suojavaatetusta).
- Huomioi HTP-arvo (katso vaarallisten aineiden tekniset säännöt, TGRS 900), käytä oikeanlaista hengityssuojaimen suodatinta. Käytä vain pullopaineensäädintä yhdessä huuhtelulaitteiston kanssa.



HUOMIO!

- Tarkista ennen liittämistä tyyppikilvestä, että kyseessä oleva varustus soveltuu haluamaasi käyttötarkoitukseen.

6.3.1. VALMISTELEMINEN

Vain paineensäätimiä, jossa on standardinmukaisia (DIN477, CGA, AFNOR jne.) pulloliitäntöjä, saa käyttää niille soveltuvien kaasutyypin kanssa.

6.3.2. KAASUPULLON LIITTÄMINEN

Käytä pulloliitäntälle ja kaasutyypille sopivaa tiivistettä.

Kierrä kiristysmutteri pullon venttiiliiliitäntään ensin käsin.

Kiinnitä huomiota oikean- ja vasemmanpuoleisiin kierteisiin!

Aseta paineensäädin paikoilleen – älä kallista sitä väärin!

Kiristä kiristysmutterit sopivalla kiintoavaimella. Huomioitavaa, älä käytä ruuviavaimen jatkovartta, koska se voi hajottaa kierteet ja tiivisteen. Tämä voi johtaa vuotoihin ja hallitsemattomaan kaasunpurkaukseen (kaasuaraston täydelliseen kaasuvuotoon).

Kiinnitä käsiliitäntällä varustettujen pulloliitäntöjen kiristysmutterit käsin.

Huomioitavaa, älä käytä ruuviavainta, koska se voi rikkoa tarttumapinnan.



Liitäntäputket asennetaan yleensä kiristysrengaskiinnityksillä. Ensiksi liitäntöjen korkeat poistetaan. Asennus tehdään viemällä putki kokonaan ruuvattavaan kiristysrenkaaseen. Avaa sitten kiristysmutteri käsin ja kiristä se sitten kiintoavaimella (ensimmäisessä asennuksessa 1 1/4 kierrosta putkistossa, joka on suurempi kuin 1/8 tuumaa ja 3/4 kierrosta putkistossa, joka on 1/8 tuumaa tai pienempi; uudelleenasennuksessa 1/4 kierrosta kaikille putkistoille). Kiinnitä poistoputki samalla tavalla poistoventtiiliin.

Kiinnitä huomiota valmistajien ohjeisiin ja tiettyjen kaasujen sekä painealueiden soveltuvuuteen.

Pullopaineensäädin, jonka enimmäislähtöpaine on 15 baaria, on saatavilla letkumuhvilla.

Muhvin keilamaisen muodon ansiosta letku on helppo kiinnittää.

Tyytit TP, TPA, TPB, jossa inertin kaasun huuhteluventtiili

Pullopaineensäätimet, joissa on inerttien kaasujen huuhteluventtiili (TP, TPA, TPB), vaativat lisäksi yllä kuvattua inertteille kaasuille soveltuvan liitäntäputken liittämistä.

6.4. ENSIMMÄISTÄ KÄYTTÖÖNOTTOA KOSKEVAT EHDOT

- Putkijärjestelmien tiivyyttä (ja tarvittaessa myös kosteutta ja partikkeleita) koskevat tarkastusprotokollat ovat saatavilla.
- Prosessikaasuletkut, poisto- ja puhdistuskaasuletkut sekä mahdolliset varoventtiilit ja takaiskuventtiilit letkut on liitettävä.
- Prosessoivassa kaasuputkistossa on vain vakiokaasua. (katso kohta 1.2)
- Vain koulutettu ammattihenkilökunta saa tehdä käyttöönoton.
- Käytä vain kipinöimättömiä työkaluja ja pidä ne valmiina ennen asennusta.
- Käytä määräysten mukaista suojavaatetusta.
- Tarkista laitteen tyyppikilvestä ennen käyttöönottoa, soveltuuko kyseinen sulkutoiminnolla varusteltu säätöventtiili suunniteltuun käyttötarkoitukseen (kaasu, paine, raaka-aine jne.).
- Jos käytät syöpyviä tai myrkyllisiä kaasuja ja ruostumattomasta teräksestä valmistettua pullopaineensäätimen versiota TP, TPA, TPB, EP, EPA ja/tai EPB, suorita inertti kaasuhuuhtelu inertillä kaasulla ennen laitteen käyttöönottoa (katso kohta 6.5.2).

6.5. ENSIMMÄINEN KÄYTTÖÖNOTTO

- Kaikkien ehtojen on täyttyvä kohdan 6.4 mukaisesti.
- Pullopaineensäädin on rennossa (suljetussa) asennossa, eli säätöpyörä on kierretty kokonaan (vasemmalle)
- Jos ruostumattomasta teräksestä valmistetussa pullopaineensäätimen versiossa TP, TPA, TPB käytetään syövyttävää ja/tai myrkyllistä kaasua, on ennen käyttöä tehtävä huuhtelu inerttikaasulla (katso kohtaa 6.5.2).



VAROITUS!

- Pullopaineensäätimeen ei saa missään nimessä syöttää sallittua painemäärää suurempaa käyttöpainetta.

6.5.1. PROSESSIPUTKISTON TÄYTTÄMINEN PROSESSOITAVALLA KAASULLA

Sääda haluamasi lähtöpaine kiertämällä paineensäätimen säätöpyörää hitaasti myötäpäivään.

Pullopaineensäädin on nyt otettu käyttöön. Paineensäätimen paineet kannattaa tarkistaa päivittäin.

6.5.2. PULLON VAIHTAMINEN

Jos ruostumattomasta teräksestä valmistetussa pullopaineensäätimen versiossa TP, TPA, TPB käytetään syövyttävää ja/tai myrkyllistä kaasua, on ennen käyttöä tehtävä huuhtelu inerttikaasulla (katso kohtaa 6.5.2).



HUOMIOITAVAA!

Käytä inertissä kaasuhuuhtelussa inerttikaasua, joka on kuivaa ja puhdasta. Kaasun puhtaus tulee vastata käyttötarkoitusta.



VAROITUS!

- Myrkyllisiä tai syövyttäviä kaasuja sisältävien pullojen vaihtamisen aikana on käytettävä soveltuvia henkilösuojavarusteita (hengityssuojaimia, silmäsuojia ja suojavaatetusta).
- Huomioi HTP-arvo (katso vaarallisten aineiden tekniset säännöt, TGRS 900), käytä oikeanlaista hengityssuojaimen suodatinta.



VAARA!

- Jos painekaasupullostta on otettu myrkyllisiä ja/tai syövyttäviä kaasuja, painetta ohjaava laite on ennen tyhjän pullon vaihtamista huuhteltava inertillä kaasulla (inertti kaasuhuuhdeltu). Näin varmistetaan, että järjestelmään jäänyt kaasu poistuu huuhtelukaasuputkesta.

VALMISTELEMINEN

1. Sulje kaasupulloventtiili tiukasti
2. Tyhjennä paineensäädin täysin, sekä tulo- että lähtöpainemittarin arvo on oltava 0.
3. Kierrä paineensäätimen säätöpyörää vastapäivään vasteeseen asti, paineensäädin on suljettu
4. Sulje tulosulkuventtiili tai säätöventtiili, jos saatavilla
5. Suorita versioiden **P, TP, TPA, TPB** yhteydessä ensin kaasunpurkaustoimet

HUUHTELEMINEN INERTILLÄ KAASULLA

Pullopaineensäätimen huuhtelu inertillä kaasulla, kun huuhteluventtiili on korkeapainepuolella (TP, TPA, TPB)

A Tarkista, että huuhtelukaasun sisääntulo ja prosessikaasun ulostulo on liitetty oikein

B Sulje kaikki venttiilit

C Sulje paineensäädin kiertämällä säätöpyörää vastapäivään

D Avaa inertin kaasun huuhteluventtiili

E Sulje inertin kaasun huuhteluventtiili

F Avaa paineensäädin ja tulosulku- tai tulosäätöventtiiliä hetkeksi ja päästä hieman huuhtelukaasua pullopaineensäätimestä

G Sulje pullopaineensäädin ja tulosulku- tai tulosäätöventtiili

Toista vaiheet D–G 10 kertaa, jotta huuhtelu onnistuu täysin.

6. Löysää kaasupullon kiristysmutteria ruuviavaimella. Löysää pulloliitettä, jossa on käsiliitettä, kiertämällä kiristysmutteria käsin.
7. Liitä uudet pullot, kuten yllä (kohdassa 6.3.1) on kuvattu.

6.5.3. KÄYTÖSTÄ POISTAMINEN

Jos ruostumattomasta teräksestä valmistetussa pullopaineensäätimen versiossa **TP, TPA, TPB** käytetään syövyttävää ja/tai myrkyllistä kaasua, on ennen käytöstä poistamista tehtävä huuhtelu inerttikaasulla (katso kohtaa 6.5.2).

FI



HUOMIO!

- Huomioi laitteen purkamisessa yleisesti seuraavaa: paineensäätimen ja putkistojen paine on purettava päästämällä kaasua käyttölaiteesta, etu- ja taustapaineiden mittareiden on molempien oltava arvoltaan 0.
- Jos olet käyttänyt syövyttävää tai myrkyllistä kaasua, huuhtelee kaikki osat inertillä kaasulla.
- Pidä huoli oikeanlaisesta suojarustuksesta (hengityssuojain, silmäsuojat ja suojavaatetus).
- Huomioi HTP-arvo (katso vaarallisten aineiden tekniset säännöt, TGRS 900), käytä oikeanlaista hengityssuojaimen suodatinta.

1. Sulje kaasupulloventtiili tiukasti
2. Tyhjennä paineensäädin täysin, sekä tulo- että lähtöpainemittarin arvo on oltava 0.
3. Kierrä paineensäätimen säätöpyörää vastapäivään vasteeseen asti, paineensäädin on suljettu
4. Sulje tulosulkuventtiili tai säätöventtiili, jos saatavilla
5. Tee versioille **P, DP, TP, TPA, TPB, EP, EPA ja/tai EPB** ensin huuhtelu ja kaasunpurkaus (katso kohta 6.5.2)
- Sulje pullopaineensäädin kiertämällä paineensäätimen säätöpyörää vastapäivään.
- Päästä kaasua putkistosta!
- Pullopaineensäädin on nyt pois käytöstä. Voit nyt tehdä korjaus- ja huoltotöitä.

6.6. TARKISTUKSET

- Tarkista pullopaineensäätimen toiminta, kun olet aloittanut paineilman syötön.
- Tarkista päästöventtiilin tiiviys.

7. KÄYTTÄMINEN

Kappaleen 2.1 mukaan pullopaineensäädin on tarkoitettu käytettäväksi vakiokaasujen kanssa.



HUOMIO!

- Käsin käytettäviä säätöpyöriä on aina avattava hitaasti ja varovasti, jotta voidaan välttää paineiskuja järjestelmässä ja suojata muita osia.

Kaasunoton lyhytaikaista keskeytystä varten riittää, että suljetaan säätimen sulkuventtiili tai säätöventtiili. Pidempiä keskeytyksiä varten säädin on paineistettava kääntämällä käsipyörää vastapäivään. Sulje kaasupullon venttiili turvallisuussyistä.

8. HUOLTAMINEN

8.1. HUOLTOA KOSKEVAT VAROTOIMET



HUOMIOITAVAA!

- Vain koulutettu ja valtuutettu ammattihenkilökunta saa suorittaa huoltotöitä (katso kappale 2.4).

8.2. HUOLTOSUUNNITELMA

Seuraavissa osiossa kuvataan huoltotöitä, joita vaaditaan laitteen optimaaliseen ja virheettömään käyttöön.

Jos säännöllisessä tarkastuksessa havaitaan kohonnut kulumisaste, lyhennä huoltoväliä todellista kulumisastetta vastaavaksi.



HUOMIOITAVAA!

- Kaikissa huoltotöihin ja huoltoaikaväleihin liittyvissä kysymyksissä ole yhteydessä asiakaspalveluun.

Väliaika	Huoltotyö	Henkilökunta
Viikoittain	Kaikkien osien visuaalinen tarkastus	Valtuutettu henkilö (TRBS 1203)
Kerran vuodessa	Toimintojen ja tiiviyn käyttötaustaus kaikissa turvallisuuteen liittyvissä osissa	Valtuutettu henkilö (TRBS 1203)
10 vuoden välein	Kaikkien kuluvien osien yleishuolto ja vaihto	Valtuutettu henkilö (TRBS 1203)

FI

8.3. HUOLTOTYÖT

8.3.1. PUHDISTAMINEN



HUOMIOITAVAA!

- Puhdistusaineiden on sovittava materiaaleille, joiden puhdistamiseen niitä käytetään.

8.3.2. HUOLTOEHDOT

TARKISTA SEURAAVA ENNEN HUOLTAMISTA

- Kaasunsyöttö on keskeytetty ja varmistettu.
- Jakeluputkisto on paineeton.
- Paineensäätimessä ei ole painetta.
- Venttiili on suljettu.
- Järjestelmässä ei ole enää prosessoitavaa kaasua.
- Järjestelmä on huuhdeltu inertillä kaasulla.

8.3.3. TARPEELLISET HUOLTOTOIMET

- Tarkista painearvojen osoitetun arvon tarkkuus.
- Jakeluputkisto, paineensäädin, venttiili ja painearvojen näyttö: tarkista toiminta, kunto ja merkinnät.
- Tarkasta merkinnät.
- Varmista, ettei ruostetta ole.
- Tarkista toiminta.
- Tiivistystä yksinkertaisella käyttöpaineella 12 tunnin ajan.
- Kuluneet ja rikkiinäiset rakenneosat on korvattava välittömästi, tähän tehtävään on ehdottomasti tilattava valtuutettu ammattiyritys.
- Venttiilien muotoilu on standardin ISO 10297 mukainen. Siihen sisältyy tyyppitesti, jossa venttiilille tehdään 2000:n käyttöjakson käyttöikätesti. Aineiden kanssa kosketuksissa olleet sisäiset rakenneosat on korvattava 2000:n käyttöjakson jälkeen, tähän tehtävään on ehdottomasti tilattava valtuutettu ammattiyritys.
- Jos havaitset kaasun jakeluputkistossa, paineensäätimessä tai venttiilissä epätiiviyttä tai liiallista syöpymistä, ne on vaihdettava kokonaan lähimpänä mahdollisena hetkenä valtuutetun ammattiyrityksen toimesta.
- Kun osat tai putkistoryhmät on vaihdettu, painetesti on tehtävä uudelleen ja kirjattava protokollaan.

8.4. HUOLLON JÄLKEISET TOIMET

KUN HUOLTOTYÖT ON TEHTY JA ENNEN KUIN KAASUN JAKELUPUTKISTO, PAINESÄÄDIN TAI VENTTIILI OTETAAN TAKAISIN KÄYTTÖÖN, ON SUORITETTAVA SEURAAVAT VAIHEET:

1. Varmista, että kaikki käytetyt työkalut, materiaalit ja muut varustelut on poistettu työalueelta.
2. Puhdista työalue ja poista mahdollisesti tippuneet aineet, kuten nesteet tai prosessoitavat materiaalit.
3. Varmista, että järjestelmän kaikki turvallisuusvarustelut toimivat moitteettomasti.

9. VIANMÄÄRITYS

Seuraavassa kappaleessa on esitetty vikojen mahdollisia syitä ja keinoja niiden poistamiseen. Jos vikatiloja alkaa esiintyä useammin, huoltoaikavälejä on lyhennettävä järjestelmän todellista kuormitusta vastaavaksi. Jos vikatiloja ei saada poistettua seuraavien ohjeiden avulla, ota yhteyttä valmistajaan.

9.1. PURKAMISTA JA HÄVITTÄMISTÄ KOSKEVAT VAROTOIMET

Jos vikatila ilmenee, keskeytä kaasunsyöttö, purkaa paineensäätimen paine ja sulje venttiilit. Älä missään tapauksessa tee huoltotyötä, kun rakennesiisissä on painetta.

TOIMI NÄIN, JOS VIKA ILMENEE:

1. Keskeytä kaasunsyöttö ja varmista se.
2. Purkaa paineensäätimen paine, sulje venttiilit.
3. Vain ammattihenkilökunta saa poistaa vikatiloja.
4. Palauta laite lähtötilannetta vastaavaksi.

Kuvaus	Syy	Ratkaisu	Venttiili	Pullo- paineen- säädin	Putkisto- paineen- säädin	Kaasun purkausase- ma
Ei läpivirtausta (tulo painemittarissa näkyy paine, lähtöpainemittarissa ei)	Painemittari on suljettu	Avaa painesäädin hitaasti sulje huuhteluventtiili		<input checked="" type="checkbox"/>	<input checked="" type="checkbox"/>	<input checked="" type="checkbox"/>
Ei läpivirtausta (molemmat painemittarit näyttävät nollassa)	Pulloventtiili on suljettu, käyttökaasuventtiili on suljettu, painesäädin on suljettu, kierukka/letku ei ole kiinnitettynä	Käyttöönotto kohdan 6 mukaan. Asennus nja ensimmäinen käyttöönotto		<input checked="" type="checkbox"/>	<input checked="" type="checkbox"/>	<input checked="" type="checkbox"/>

Kuvaus	Syy	Ratkaisu	Venttiili	Pullo- paineen- säädin	Putkisto- paineen- säädin	Kaasun purkausase- ma
Ei läpivirtausta	Painemittari on suljettu	Avaa paineensäädin hitaasti	<input checked="" type="checkbox"/>			
Taustapaineen nousu & poistoventtiili avattuna	Vuoto paineensäätimen istukassa	Valmistajan tekemä korjaus		<input checked="" type="checkbox"/>	<input checked="" type="checkbox"/>	<input checked="" type="checkbox"/>
Lievä taustapaineen nousu & poistoventtiili ei aukea	Etupaineen lasku	Ei ole virhe, normaali käyttötila		<input checked="" type="checkbox"/>	<input checked="" type="checkbox"/>	<input checked="" type="checkbox"/>
Lievä taustapaineen nousu	Virtauspaineen (läpivirtauksella) ja patopaineen (ei läpivirtausta) välinen ero	Ei ole virhe, normaali käyttötila		<input checked="" type="checkbox"/>	<input checked="" type="checkbox"/>	<input checked="" type="checkbox"/>
Lievä taustapaineen lasku	Virtauspaineen (läpivirtauksella) ja patopaineen (ei läpivirtausta) välinen ero	Ei ole virhe, normaali käyttötila		<input checked="" type="checkbox"/>	<input checked="" type="checkbox"/>	<input checked="" type="checkbox"/>
Voimakas taustapaineen lasku	Paineensäätimen vaadittu läpivirtaus on liian suuri	Valitse uusi paineensäädin vaaditulle paineelle ja läpivirtaukselle		<input checked="" type="checkbox"/>	<input checked="" type="checkbox"/>	<input checked="" type="checkbox"/>
Voimakas taustapaineen lasku	Prosessikaasuputkistot epätiivit	Tarkista prosessikaasuputkistot		<input checked="" type="checkbox"/>	<input checked="" type="checkbox"/>	<input checked="" type="checkbox"/>
Lähtöpaine on liian suuri	Säätimen asetus on väärä	Sovita paineensäätimen asetukset, säädä sopivaksi, huolla		<input checked="" type="checkbox"/>	<input checked="" type="checkbox"/>	<input checked="" type="checkbox"/>
Taustapaine nousee heti vasteeseen asti tai nousee hitaasti asetetun arvon yli ja päästöventtiili puhaltaa	Steiger-istukka on likaantunut tai vioittunut	Valmistajan tekemä korjaus		<input checked="" type="checkbox"/>	<input checked="" type="checkbox"/>	<input checked="" type="checkbox"/>

Kuvaus	Syy	Ratkaisu	Venttiili	Pullo- paineen- säädin	Putkisto- paineen- säädin	Kaasun purkausase- ma
Melua käytön aikana	Paineen- säätimen vaadittu läpi- virtaus on liian suuri	Valitse uusi paineensäädin vaaditulle paineelle ja läpivirtaukselle		<input checked="" type="checkbox"/>	<input checked="" type="checkbox"/>	<input checked="" type="checkbox"/>
Venttiili- ohjauksessa ei muutosta, vaikka kierrän säätöpyörää	Säätöpyörä on rikki liian voimakkaasta kiertomomen- tista johtuen, kara rikki, kierteet rikki	Valmistajan tekemä korjaus	<input checked="" type="checkbox"/>	<input checked="" type="checkbox"/>	<input checked="" type="checkbox"/>	<input checked="" type="checkbox"/>
Paineen- säätimessä kosteutta (EI kastetta, sadetta tai lunta)	Paineensäädin vetää pu- oleensa energiaa ympäristöstä purkamalla kaasua	Ei ole virhe, normaali käyttötila		<input checked="" type="checkbox"/>	<input checked="" type="checkbox"/>	<input checked="" type="checkbox"/>
Paineen- säätimessä jäätä (EI kastetta, sadetta tai lunta)	Paineensäädin vetää pu- oleensa energiaa ympäristöstä purkamalla kaasua, paine- kaasusäiliön rajoittunut suoritus, esim. N ₂ O:n, CO ₂ :n yhteydessä	Ei ole virhe, normaali käyttötila HUOMIO: Kiinnitä huomio kontaktipaine- mittareihin, lisää paine- kaasusäiliöiden määrää		<input checked="" type="checkbox"/>	<input checked="" type="checkbox"/>	<input checked="" type="checkbox"/>

Tämän luettelon tiedot eivät ole täydelliset. Jos ilmenee kysyttävää, ota yhteyttä valmistajaan.

10. PURKAMINEN JA HÄVITTÄMINEN

Kun laitteen käyttöikä on tähtynyt, se on purettava ja hävitettävä ympäristöstävällisellä tavalla.

10.1. PURKAMISTA JA HÄVITTÄMISTÄ KOSKEVAT VAROTOIMET



VAROITUS!

- **Epäsianmukainen purkaminen aiheuttaa loukkaantumisvaaraan!**
- Laitteessa kiinni ja sisällä olevat sekä käytössä olevien työkalujen varastoitunut energia, kulmikkaat rakenneosat, terät ja kulmat voivat aiheuttaa loukkaantumisvaaran.
- Varmista ennen työn aloittamista, että sinulla on riittävästi tilaa.
- Käsittele avoimia ja teräviä rakenneosia varovaisesti.
- Kiinnitä huomiota työpaikan puhtauteen!
- Irrallisesti päällekkäin kasatut ja ympäristössä lojuvat rakenneosat ja työkalut ovat onnettomuuden aiheuttajia.
- Purkaa rakenneosat asianmukaisesti. Huomioi rakenneosien omapaino osittain. Käytä tarvittaessa nostolaitetta.
- Aseta rakenneosat hyvin paikalleen, etteivät ne tipu tai kaadu.
- Jos ilmenee epäselvyyksiä, selvitä ne valmistajalta.

10.2. PURKAMINEN

ENNEN PURKAMISEN ALOITTAMISTA

Sulje pullopaineensäädin kiertämällä säätöpyörää vastapäivään.

Purkaa pullopaineensäätimessä oleva kaasu ja varista, ettei sen sisällä ole enää prosessoitavaa kaasua.

Purkaa koko järjestelmän kaasu ja tee tarvittaessa huuhtelu inertillä kaasulla.

Poista käyttö- ja apuaineet sekä yli jääneet prosessoitavat materiaalit ja hävitä ne asianmukaisella tavalla.

Puhdista sitten rakenneosaryhmät ja osat ammattimaisella tavalla ja purkaa ne julkisten työsuojelu- ja ympäristösuojelusäädösten mukaisesti.



VAROITUS!

- **Älä avaa järjestelmää, jos siinä on vielä myrkyllistä ja/tai syövyttävää kaasua!**

10.3. HÄVITTÄMINEN

Jos osien palauttamisesta tai hävittämisestä ei ole sovittu erikseen, toimita puretut osat kierrätettäväksi:

metallit romutettuina

muoviosat kierrätykseen

muut osat materiaalille sopivalla kierrätystavalla.

GCE-yhtiö, s.r.o. kantaa vastuun REACH-määräyksen artiklan 33 mukaisesti asiakkaiden tiedottamisesta, jos materiaalit sisältävät 0,1 % tai enemmän luettelossa erityistä huolta aiheuttavasta aineesta.

Laitteen runko ja muut messinkiset rakenneosat koostuvat eniten käytetystä messinkiseoksesta, jossa on 2–3 % lyijyä, EY-nro 231-468-6, CAS-nro 7439-92-1. Normaalissa käytössä lyijyä ei päädy kaasun joukkoon tai ympäristöön. Laitteen saavutettuaan enimmäiskäyttöikänsä se tulee hävittää valtuutetun metallikierrätysyrityksen kautta, jotta materiaalilla olisi mahdollisimman vähän vaikutusta ympäristöön ja terveyteen.

Tähän päivään mennessä ei ole kertynyt tietoa siitä, että GCE-tuotteiden erityistä huolta aiheuttava ainepitoisuus olisi yli 0,1 %.



HUOMIOITAVAA!

- **Vääränlainen hävittäminen aiheuttaa ympäristövaaran!**
- Vääränlainen hävittäminen voi aiheuttaa ympäristövaaran.
- Sähköromu, elektroniikkaosat, voiteluaineet ja muut apuaineet on hävitettävä valtuutetun ammattitoimijan kautta.
- Jos et ole varma, miten osia hävitetään ympäristöystävällisellä tavalla, ota yhteyttä julkiseen jätehuoltoon ja pyydä lisätietoa.

FI

www.linde.com

Linde on näiden kirjoitusten toimeksiantaja.

INNEHÅLL

1. ALLMÄN	312
1.1. INFORMATION OM DENNA BRUKSANVISNING	312
1.2. INFORMATION OM FLASKREGULATOR.....	312
1.3. SYMBOLFÖRKLARING	313
1.4. ANSVARSBEGRÄNSNING	314
1.5. UPPHOVSRÄTTSSKYDD.....	314
1.6. RESERVDELAR	314
1.7. GARANTIVILLKOR.....	314
1.8. KUNDSERVICE.....	314
2. SÄKERHET	315
2.1. AVSEDD ANVÄNDNING	315
2.1.1. OMBYGGNAD AV FLASKREGULATOR	315
2.2. GRUNDLÄGGANDE FAROR.....	315
2.3. DRIFTSANSVARIGS ANSVAR	316
2.4. PERSONALBEHOV	317
2.4.1. KVALIFIKATIONER.....	317
2.4.2. OBEHÖRIGA.....	317
2.4.3. INSTRUKTION	317
2.5. PERSONLIG SKYDDSUTRUSTNING	318
2.6. VAD BÖR MAN GÖRA VID BRAND OCH OLYCKOR.....	318
2.7. MILJÖSKYDD	319
2.8. SKYLTNING.....	319
2.8.1. PÅBUDSTECKEN	319
2.8.2. FÖRBUDSTECKEN.....	319
2.8.3. VARNINGSTECKEN	319
3. TEKNISKA SPECIFIKATIONER	320
3.1. FLÖDESSCHEMA – ENSTEGSVERSION	320
3.2. FLÖDESSCHEMA – TVÅSTEGSVERSION	322
3.3. MÅTTBESKRIVNING	323
3.4. ALLMÄN INFORMATION.....	325
3.5. ANSLUTNINGSVÄRDEN.....	325
3.6. PRESTANDA	325
3.7. DRIFTSVILLKOR OMGIVNING	325
4. KONSTRUKTION OCH FUNKTION	326
4.1. FÖRKROMAD MÄSSINGSVERSION	326
4.2. KORT BESKRIVNING	326
5. TRANSPORT, FÖRPACKNING OCH LAGRING	326
5.1. SÄKERHETSINSTRUKTIONER FÖR TRANSPORTEN.....	326
5.2. TRANSPORTINSPEKTION	326
5.3. FÖRPACKNING	327
5.4. FÖRVARING.....	327
6. INSTALLATION OCH FÖRSTA IDRIFTTAGANDE	327
6.1. SÄKERHETSANVISNINGAR FÖR INSTALLATIONEN OCH FÖRSTA IDRIFTTAGANDE	327
6.2. FÖRBEREDELSE.....	327
6.3. INSTALLATION	327
6.3.1. FÖRBEREDELSE.....	328
6.3.2. ANSLUTNING AV GASFLASKAN	328
6.4. FÖRUTSÄTTNINGAR FÖR FÖRSTA IDRIFTTAGANDE.....	329
6.5. FÖRSTA IDRIFTTAGANDE	329
6.5.1. Fyllning av processgasledning med processgas.....	329
6.5.2. FLASKBYTE.....	329
6.5.3. URDRIFTTAGNING.....	330
6.6. KONTROLLER	330
7. DRIFT 330	

8. UNDERHÅLL	331
8.1. SÄKERHETSINSTRUKTIONER FÖR UNDERHÅLL	331
8.2. UNDERHÅLLSSCHEMA	331
8.3. UNDERHÅLLSARBETE	331
8.3.1. RENGÖRING	331
8.3.2. UNDERHÅLLSFÖRUTSÄTTNING	331
8.3.3. NÖDVÄNDIGT UNDERHÅLL	331
8.4. ÅTGÄRDER EFTER UNDERHÅLL	332
9. STÖRNINGAR	332
9.1. SÄKERHETSINSTRUKTIONER FÖR FELSÖKNING	332
10. DEMONTERING OCH BORTSKAFFANDE	334
10.1. SÄKERHETSINSTRUKTIONER FÖR DEMONTERING OCH KASSERING	334
10.2. DEMONTERING	335
10.3. BORTSKAFFANDE	335

1. ALLMÄN

1.1. INFORMATION OM DENNA BRUKSANVISNING

Dessa instruktioner gäller en- och tvåstegs flaskregulatorer av typen:

- C12hv
- C200hv

Flaskflaskregulatorer är avsedda att direkt anslutas till gasflaskor för att minska flasktrycket i låga utloppstryckområden. Flaskslutningarna har enligt respektive standard (DIN 477, CGA, AFNOR, etc.), olika gängor beroende på gastyp. Observera.

Dessa instruktioner möjliggör säker och effektiv användning av flaskregulatorn.

Anvisningarna hör till enheten och måste förvaras i närheten av enheten och alltid finnas tillgängliga för personal. Personalen måste noggrant ha läst igenom och förstått dessa instruktioner innan något arbete påbörjas. Grundförutsättningen för säkert arbete är att alla specificerade säkerhetsinstruktioner och hanteringsanvisningar i denna manual följs. Dessutom gäller lokala föreskrifter för förebyggande av olyckor och allmänna säkerhetsföreskrifter vid användning av enheten. Illustrationerna i dessa instruktioner tjänar främst som översikt och kan avvika något från den verkliga versionen.

1.2. INFORMATION OM FLASKREGULATOR

Flaskregulatorer av den här typen får endast användas med de gaser som definieras som föras.

Det maximala inloppstrycket för C12hv är max. 12 bar och för C200hv max. 200 bar.

Produktlinje	(Renhet 6.0 I förkromad mässing)	(renhet 6.0 I rostfritt stål)
Med FKM-position utblåsningsventilens	<ul style="list-style-type: none"> • Tillämpliga gaser (inklusive deras blandningar): <ul style="list-style-type: none"> • High Purity • Inert • Brandfarlig • Oxiderande • O₂ • Gaser som INTE får användas (inklusive deras blandningar): <ul style="list-style-type: none"> • Frätande • Giftig • CO₂, N₂O 	<ul style="list-style-type: none"> • Tillämpliga gaser (inklusive deras blandningar): <ul style="list-style-type: none"> • High Purity • Inert • Brandfarlig • Oxiderande (upp till 200 bar) <ul style="list-style-type: none"> • Frätande (vid oklarheter kontakta oss) • Giftig (vid oklarheter kontakta oss) • Lämplig för O₂ upp till 200 bar • Gaser som INTE får användas (inklusive deras blandningar): <ul style="list-style-type: none"> • O₂ över 200 bar • CO₂, N₂O • NH₃, SO₂, H₂S

Med EPDM -position utblåsningsventilens	<ul style="list-style-type: none"> • Tillämpliga gaser (inklusive deras blandningar): <ul style="list-style-type: none"> • High Purity • Inert • Brandfarlig • Oxiderande • CO₂, N₂O • Gaser som INTE får användas (inklusive deras blandningar): <ul style="list-style-type: none"> • Frätande • Giftig • O₂ (andel större än 21 %) • Kolväten 	<ul style="list-style-type: none"> • Tillämpliga gaser (inklusive deras blandningar): <ul style="list-style-type: none"> • High Purity • Inert • Brandfarlig • Oxiderande • Frätande (vid oklarheter kontakta oss) • Giftig (vid oklarheter kontakta oss) • CO₂, N₂O • NH₃, SO₂, H₂S • Gaser som INTE får användas (inklusive deras blandningar): <ul style="list-style-type: none"> • O₂ (andel större än 21 %) • Kolväten
--	---	---

Denna tabell gör inte anspråk på att vara uttömmande. För frågor och osäkerheter kontakta tillverkaren.

Det finns en- och tvåstegs flaskregulatorer med metallmembran i 6-portskonstruktion. Tillverkad och godkänd enligt ISO7291 inklusive syreutbränningsstest (se tabell, avsnitt 1.2).

Flaskregulatorn består av en flaskregulatorkropp, inlopps- och utloppsmanometer, flaskan- slutning och en utblåsningsventil. Den kan fås med olika anslutningsbeslag och/eller med olika **extrakomponenter som t.ex.**

- Avstängningsventil vid utloppet (A)
- Regleringsventil vid utloppet (B)
- Spolningsventil för extern gas vid inloppet (TP).
- Spolningsventil för extern gas vid inloppet och avstängningsventil vid utloppet (TPA), endast i versionen i rostfritt stål.
- Spolningsventil för extern gas vid inloppet och regleringsventil vid utloppet (TPB), endast i rostfritt stålutförande.

I versionerna **C200/1 TP, C200/1 TPA, C200/1 TPB, C200/2 TP, C200/2 TPA och C200/2 TPB** kan tryckregulatorn spolas med extern gas. De är därför särskilt lämpliga för frätande och giftiga gaser.

Flaskregulatorer med spolningsalternativ gör det möjligt att torka eller ta bort armaturen fuktig atmosfärisk luft som kommer in i tryckregulatorn före drifttagning eller vid byte av flaskor och spolning av armaturen från giftiga, frätande eller självantändande ämnen gaser före urdriftstagnation.

1.3. SYMBOLFÖRKLARING

SÄKERHET-SANVISNINGAR	Säkerhetsanvisningar utmärks med symboler i denna bruksanvisning. Säkerhetsanvisningarna inleds av signalord som uttrycker hur allvarlig en fara är.
	FARA! Denna kombination av symbol och signalord indikerar en omedelbart farlig situation som kan leda till döden eller allvarliga skador om den inte undviks.
	VARNING! Denna kombination av symbol och signalord indikerar en potentiellt farlig situation som kan leda till döden eller till allvarliga skador om den inte undviks.
	VAR FÖRSIKTIG! Denna kombination av symbol och signalord indikerar en potentiellt farlig situation som kan leda till mindre eller lättare skador, om den inte undviks.
	OBSERVERA! Denna kombination av symbol och signalord indikerar en potentiellt farlig situation, som kan leda till skador på egendom och omgivning, om den inte undviks.



TIPS OCH REKOMMENDATIONER

Den här symbolen märker också ut användbara tips, samt information som bidrar till en effektiv och problemfri drift.

SÄRSKILDA ANVISNINGAR

För att uppmärksamma särskilda faror används följande symboler i säkerhetsanvisningarna.



FARA!

Denna kombination av symbol och signalord indikerar en omedelbart farlig situation på grund av elektrisk ström. Om ett meddelande som är markerat på detta sätt inte efterföljs leder det till allvarliga eller dödliga skador.

1.4. ANSVARSBEGRÄNSNING

All information och instruktioner i den här handboken har gjorts med beaktande av gällande standarder och föreskrifter, den senaste tekniken och vår mångåriga kunskap och erfarenhet.

Tillverkaren tar inget ansvar för skador i följande fall:

- När dessa anvisningar inte efterföljs
- Vid användning som avviker från avsedd användning
- Användning av utbildad personal
- Tekniska och strukturella ombyggnader utförs av obehöriga
- Användning av icke-godkända reservdelar
- Användning av trycksatta enheter med defekta säkerhetsanordningar eller med säkerhets- och skyddsanordningar som inte felinstallerats eller inte fungerar korrekt
- Otillräcklig övervakning av utrustning, bultar och tätningsdelar som är utsatta för slitage
- Felaktigt utförda reparationer
- Över- eller underskridelse av temperaturintervall som anges i databladet under drift eller förvaring
- Katastrofer orsakade av externa föremål och force majeure

Det faktiska leveransomfånget kan variera när det gäller specialkonstruktioner, särskilda beställningsalternativ eller på grund av de senaste tekniska ändringarna av den här beskrivna informationen och framställningen. De skyldigheter som överenskommit i leveransavtalet gäller, de allmänna köpvillkoren samt tillverkarens leveransvillkor och de lagföreskrifter som gäller vid tidpunkten för avtalets ingående gäller.

1.5. UPPHOVSRÄTTSSKYDD

Innehållet i dessa instruktioner skyddas av upphovsrätten. Användningen av dem är tillåten i samband med användning av enheten. All ytterligare användning är tillåten utan skriftligt medgivande från tillverkaren.

1.6. RESERVDELAR



VARNING!

- Risk för skada på grund av användning av felaktiga reservdelar!
- Användning av felaktiga eller defekta reservdelar kan orsaka risker för personalen samt skador, fel eller bortfall.
- Använd endast originalreservdelar från tillverkaren eller reservdelar som godkänts av tillverkaren.
- Kontakta alltid tillverkaren vid tveksamma fall.



GARANTIFÖRLUST!

- Användning av icke-godkända reservdelar gör att tillverkarens garanti upphör att gälla.

1.7. GARANTIVILLKOR

I princip gäller våra "Allmänna försäljnings- och leveransvillkor".

Dessa är tillgängliga för kunden senast efter det att avtalet har ingåtts.

1.8. KUNDSERVICE

Vi är alltid intresserade av information och erfarenheter som härrör från användningen av våra produkter.

2. SÄKERHET

Detta avsnitt ger en översikt över alla viktiga säkerhetsaspekter som gäller personskydd samt en säker och problemfri drift. Ytterligare arbetsrelaterade säkerhetsinstruktioner finns i avsnitten om de olika livscyklerna.

2.1. AVSEDD ANVÄNDNING

Flaskregulatorer av typ C12hv och C200hv är endast avsedda för angivna gaser och tryck i de angivna temperaturerna hålls. Det nominella volymflödet är enligt ISO 2503 20 m³/h (tryckluft). Avsedd användning inkluderar också efterlevnad av alla instruktioner och rekommendationer i denna anvisning samt beaktandet av typsymboler och datablad. All användning som går utöver den avsedda användningen anses som felaktig användning.



VARNING!

- **Fara vid felaktig användning!**
- Felaktig användning av regulatorn kan leda till farliga situationer.
- Använd aldrig flaskregulator som flödesregleringselement eller som avstängningsventil.
- Använd aldrig flaskregulator för vätskor.

2.1.1. OMBYGGNAD AV FLASKREGULATOR

Inga ändringar, tillägg eller modifieringar av trycksystemet får ske utan skriftligt medgivande från tillverkaren.

Flaskregulatorer som inte är i perfekt skick måste bytas ut omedelbart

Rengöring av gasapparater och bortskaffande av rester

Flaskregulatorer som väntar på reparation bör spolas med en inert gas (kväve).

Generering av buller

I vissa fall kan den ogynnsamma interaktionen mellan vissa påverkande variabler, t.ex. flöde och tryckområde, men även själva gastypen kan leda till buller. Ta i dylika fall helst kontakt med tillverkaren.

2.2. GRUNDLÄGGANDE FAROR

I följande avsnitt listas kvarstående risker som kan förekomma med enheten trots att den används på rätt sätt. För att minska riskerna för person- och materialskador och för att undvika farliga situationer, måste följande säkerhetsinstruktioner samt säkerhetsinstruktionerna i ytterligare avsnitt följas.



FARA!

- **Gaser kan vara livshotande!**
- Gaser kan tränga ut luft och därmed även syret som den innehåller. Detta kan leda till kvävningssdöd. Syre skapar en mycket oxidativ atmosfär. Brandfarliga gaser kan orsaka en explosiv atmosfär.

DÄRFÖR:

- Sörj för tillräcklig ventilation!
- Installation bör endast utföras av ett certifierat specialistföretag!
- Observera ATEX-föreskrifterna



OBSERVERA!

- **Faror som kan uppstå på grund av omgivningen!**
Kondensering och/eller isbildning kan orsaka fel på enheten.

DÄRFÖR:

- Observera temperaturintervallet!
- Skydda enheten mot yttre vätskor!
- Skydda enheten mot yttre damm!
- Installera väderskydd!
- Fäst befintlig jordning på rätt sätt!



VARNING!

- **Risk för olyckor vid användning av olja och fett!**

Oljor och fetter får aldrig användas i tryckregleringssystem. Oljor och fetter är lättantändliga och reagerar våldsamt med vissa komprimerade gaser.

DÄRFÖR:

- Använd aldrig olja eller fett!



VARNING!

- **Risk för olyckor på grund av den energi som lagrats i systemet!**

Felaktig hantering kan leda till att tryckbärande delar eller enskilda delar av dessa rörsig okontrollerat och orsaka allvarliga eller till och med dödliga skador. På grund av felaktig hantering kan gas läcka ut från de tryckbärande delarna och orsaka allvarliga eller till och med dödliga skador.

INNAN DU BÖRJAR ALLT ARBETE MED TRYCKBÄRANDE DELAR:

- Installation bör endast utföras av ett certifierat specialistföretag!
- Använd skyddsglasögon!
- Använd hörselskydd!
- Se till att systemet inte är under tryck!
- Se till att ingen mer energi lagras i systemet!
- Se till att ingen gas kan komma ut av misstag!
- Se till att defekta delar omedelbart byts ut av utbildad personal!



VARNING!

- **Olycksrisk!**

Felaktig installation kan orsaka allvarliga eller till och med dödliga skador.

DÄRFÖR:

- Säkerställ att enheterna inte faller ner under installationen!
- Vält inte utrustningen!

Tryckbärande delar får endast användas för det avsedda ändamålet.

Vid mekaniska skador på rörledningar och kopplingar måste systemet kopplas om till säkert läge (spärrar det berörda avsnittet).

Fel som kan påverka säkerheten måste omedelbart åtgärdas av utbildad och kvalificerad personal eller tillverkaren.

Särskilt när det gäller gaser finns det en risk för fel på tryckregulatorn. Kännetecknen för detta är antingen inget gasgenomflöde efter tryckregulatorn eller en plötslig ökning av baktrycket. Om det finns ett fel på tryckregulator, måste systemet omedelbart tas ur drift. Ansvarigt underhållsföretag måste informeras. Stäng aldrig utblåsningsledningarna.

2.3. DRIFTSANSVARIGS ANSVAR

DRIFTSANSVARIG

Driftsansvarig är den person som använder anordningen i kommersiellt eller ekonomiskt syfte eller överlåter en tredje part användning/tillämpning och samtidigt behåller det rättsliga ansvaret för skydd av användaren, personalen eller tredje part.

DRIFTSANSVARIGS PLIKTER

Enheten används inom den kommersiella sektorn. Driftsansvarig för apparaten omfattas därför av de lagstadgade kraven kring arbetssäkerhet.

Utöver säkerhetsanvisningarna i denna handbok måste gällande säkerhetsföreskrifter, olycksförebyggande- och miljöskyddsbestämmelser relevanta för enhetens användningsområde följas.

FÖLJANDE GÄLLER SÄRSKILT:

- Driftsansvarig ska informera sig om de tillämpliga bestämmelserna om hälsa och säkerhet på arbetsplatsen och vid bedömningen av farorna beakta de särskilda arbetsförhållandena på platsen där enheten ska användas. Detta måste tillhandahållas i form av bruksanvisningar för driften av enheten.
- Under hela användningstiden ska driftsansvarig kontrollera att driftsinstruktionerna motsvarar aktuellt regelverk och anpassa dem vid behov.

- Driftsansvarig skall fastställa ansvaret för installation, drift, avhjälpande av fel, underhåll och tydligt reglera och definiera rengöring.
- Driftsansvarig måste se till att alla personer som hanterar apparaten har läst och förstått dessa anvisningar. Dessutom måste hen regelbundet utbilda personalen och informera dem om farorna.
- Driftsansvarig ska förse personalen med nödvändig skyddsutrustning och kräva att personalen bär den. Dessutom är operatören ansvarig för att se till att systemets fullständiga tekniska tillförlitlighet alltid är garanterad.

FÖLJANDE GÄLLER DÄRFÖR:

- Operatören måste se till att de underhållsintervall som anges i denna handbok följs.
- Operatören ska se till att alla säkerhetsanordningar regelbundet kontrolleras för att säkerställa att de fungerar tillförlitligt och är kompletta

2.4. PERSONALBEHOV

2.4.1. KVALIFIKATIONER

De olika uppgifter som beskrivs i den här handboken ställer olika kvalificeringskrav på personen som ansvarar för uppgiften.



VARNING!

- **Det är riskfyllt med otillräckligt kvalificerad personal!**
 - Otillräckligt kvalificerade personer kan inte bedöma riskerna som följer med att hantera enheten och kan utsätta sig själva och andra för risken att drabbas av allvarliga eller dödliga skador.
 - Allt arbete får endast utföras av kvalificerade personer!
 - Håll otillräckligt kvalificerade personer borta från arbetsområdet!
- Endast personer som kan förväntas utföra detta arbete på ett tillförlitligt sätt får anförtros arbetet. Människor vars reaktionsförmåga påverkats, t.ex. genom droger, alkohol eller medicinering är inte tillåtna.

I dessa bruksanvisningar omnämns följande kvalificerad personal för olika uppgifter:

INGENJÖR INOM GASTEKNIK

Har specialistutbildning, färdigheter, erfarenhet och kunskap om de relevanta standarder och riktlinjer som krävs för att arbeta med tryckregleringssystem och identifiera potentiella risker. Gastekniks ingenjörer är specialutbildade med avseende på respektive produktionsanläggning och dess specifika standarder och riktlinjer.

TEKNIKER

Har specialistutbildning, färdigheter och erfarenhet om relevanta standarder och riktlinjer som krävs för att utföra arbete med tryckregleringssystem och känna igen potentiella risker.

2.4.2. OBEHÖRIGA



VARNING!

- **Livsfara för obehöriga personer på grund av faror i risk- och arbetsområdet!**
- Obehöriga personer som inte uppfyller de krav som beskrivs här är inte tillräckligt insatt i farorna i arbetsområdet. Det finns därför risk för allvarlig skada eller till och med dödsfall för obehöriga personer.
- Håll obehöriga personer borta från risk- och arbetsområdet!
- I tveksamma fall, gå fram till personer och dirigera dem bort från risk- och arbetsområdet!
- Avbryt arbetet så länge obehöriga befinner sig i farligt område eller arbetsområdet!

2.4.3. INSTRUKTION

Driftsansvarig ska regelbundet instruera personalen. För en bättre uppföljning bör ett instruktionsprotokoll innehålla minst följande:

- Datum för instruktionen
- Den instruerade personens namn
- Innehållet i instruktionen
- Instruktörens namn
- Underskrifter av den instruerade och instruktören

2.5. PERSONLIG SKYDDSUTRUSTNING

Personlig skyddsutrustning används för att skydda personer mot försämrad säkerhet och hälsa på arbetsplatsen.

Under de olika arbetena på och med enheten måste personalen bära personlig skyddsutrustningen som beskrivs i denna anvisnings enskilda avsnitt.



BUREN ANDNINGSAPPARAT

Skydd mot skadliga gaser, ångor, damm och liknande ämnen. Andningsapparater som tryckluftsapparater måste användas om ett syrenehåll på mer än 17 % i omgivningsluften inte kan garanteras och/eller om tillåtna gränsvärden för skadliga ämnen i luften inte kan uteslutas. En buren andningsapparat får endast användas av specialutbildad personal.



BUREN ANDNINGSAPPARAT

Skydd mot skadliga gaser, ångor, damm och liknande ämnen. En buren andningsapparat måste användas om det inte kan uteslutas att de tillåtna gränsvärdena för skadliga ämnen i omgivningsluften överskrids. En buren andningsapparat får endast användas med garanterad syrehalt i andningsluften på mer än 17 %.



SKYDDSGLASÖGON

Skydd mot flygande delar och droppar.



HANDSKAR, KEMIKALIEBESTÅNDIGA

Skyddar händer från aggressiva ämnen. Det är nödvändigt att handskens täthet kontrolleras. Släng handskarna på rätt sätt efter användning.



SKYDDSHANDSKAR

Skydd av händerna mot mekanisk påverkan och varma och kalla ytor.



BÄRA HÖRSELSKYDD

Skyddar hörseln mot för höga ljud och förhindrar ljudtrauma.

2.6. VAD BÖR MAN GÖRA VID BRAND OCH OLYCKOR

FÖREBYGGANDE ÅTGÄRDER

- Var alltid beredd på brand och olyckor!
- Första hjälpen (första hjälpen-kit, filter etc.) och brandsläckningssystem fungerar fullt ut och ha dem i närheten.
- Gör personalen bekant med olycksrapportering, första hjälpen och räddningssystem.
- Håll åtkomstvägar fria för utryckningsfordon.

ÅTGÄRDER VID BRAND OCH OLYCKOR.

- Om det inte föreligger någon fara för den egna hälsan, rädda personer från farozonen.
- Inled vid behov första hjälpen.
- Larma brandkåren och/eller räddningstjänsten.
- Vid brand: Släck bränder med brandsläckare om det inte föreligger någon fara för din egen hälsa och fortsätt med brandbekämpningen tills brandkåren anlänt.
- Informera den ansvariga personen på insatsplatsen.
- Tydliga tillfartsvägar för utryckningsfordon.
- Instruera räddningsfordon.

2.7. MILJÖSKYDD



OBSERVERA!

- **Miljöfara genom felaktig hantering av miljöfarliga ämnen!**
- Felaktig hantering av miljöfarligt material, särskilt felaktigt bortskaffande, kan leda till betydande skador på miljön.
- Nedanstående anvisningar om hantering av miljöfarliga ämnen och avfallshantering måste alltid observeras!
- Om miljöfarliga ämnen råkar komma ut i miljön, måste lämpliga åtgärder omedelbart vidtas.
- I tveksamma fall ska du informera den ansvariga lokala myndigheten om skadan och begära att åtgärder vidtas!

2.8. SKYLTNING



VARNING!

- **Om skyltarna är oläsliga medför det fara!**
- Med tiden kan klistermärken och skyltar bli smutsiga eller på annat sätt oläsliga så att faror inte kan identifieras och nödvändiga driftsinstruktioner inte kan följas. Detta skapar en risk för skador.
- Förvara alltid alla säkerhets-, varnings- och bruksanvisningar i läsbart skick.
- Byt ut skadade skyltar eller klistermärken omedelbart.

2.8.1. PÅBUDSTECKEN

- Inga tecken

2.8.2. FÖRBUDSTECKEN

- Inga tecken

2.8.3. VARNINGSTECKEN



VARNING FÖR GASCYLINDER



VARNING FÖR EXPLOSIV
ATMOSFÄR

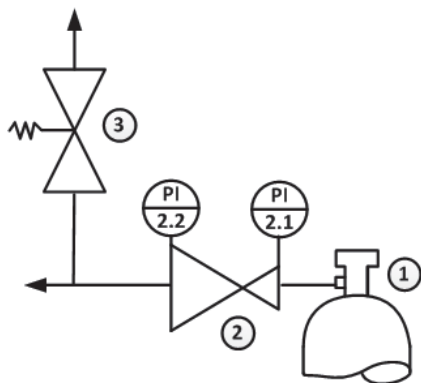


VARNING FÖR GIFTIGA OCH/
ELLER FRÅTANDE

3. TEKNISKA SPECIFIKATIONER

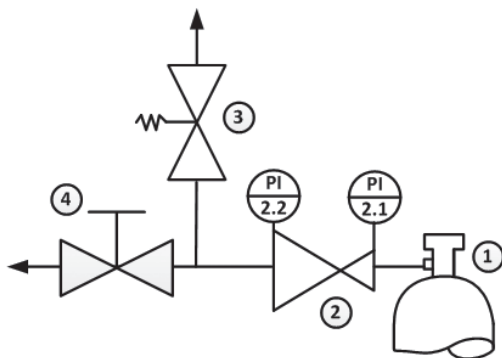
3.1. FLÖDESSCHEMA – ENSTEGSVERSION

C12HV/1



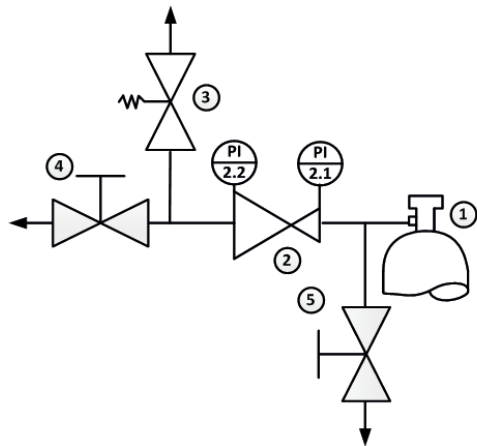
- 1 – GASFLASKA
- 2 – TRYCKREGULATOR
- 3 – UTBLÅSNINGSVENTIL

C12HV/1 A



- 1 – GASFLASKA
- 2 – TRYCKREGULATOR
- 3 – UTBLÅSNINGSVENTIL
- 4 – AVSTÄNGNINGSVENTIL

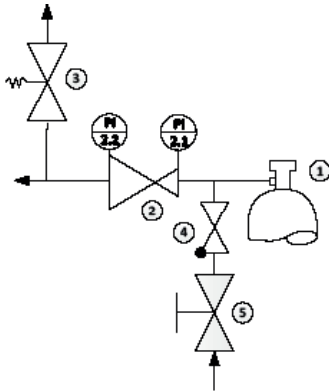
C12HV/1 B



- 1 – GASFLASKA
- 2 – TRYCKREGULATOR
- 3 – UTBLÅSNINGSVENTIL
- 4 – REGLERINGSVENTIL
- 5 – TÖMNINGSVENTIL

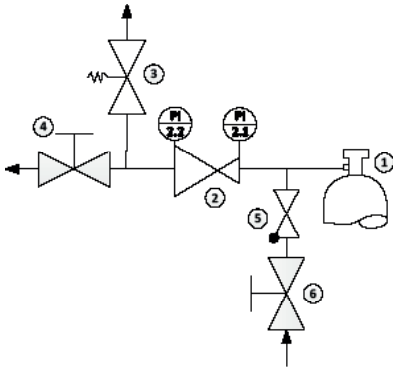
SV

C12HV/1 TP



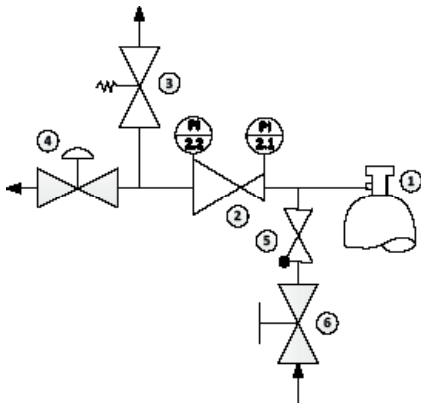
- 1 – GAS CYLINDER
- 2 – PRESSURE REGULATOR
- 3 – RELIEF VALVE
- 4 – CHECK VALVE
- 5 – INERT GAS PURGE VALVE

C12HV/ TPA



- 1 – GAS CYLINDER
- 2 – PRESSURE REGULATOR
- 3 – RELIEF VALVE
- 4 – SHUT-OFF VALVE
- 5 – CHECK VALVE
- 6 – INERT GAS PURGE VALVE

C12HV/ TPB

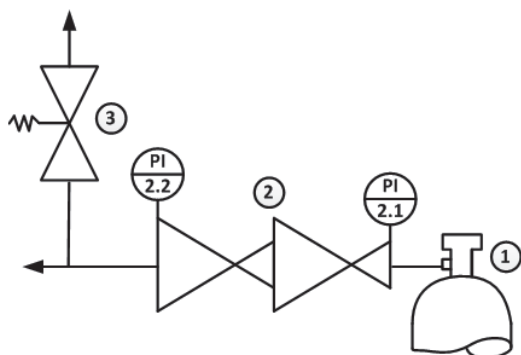


- 1 – GAS CYLINDER
- 2 – PRESSURE REGULATOR
- 3 – RELIEF VALVE
- 4 – REGULATING VALVE
- 5 – CHECK VALVE
- 6 – INERT GAS PURGE VALVE

SV

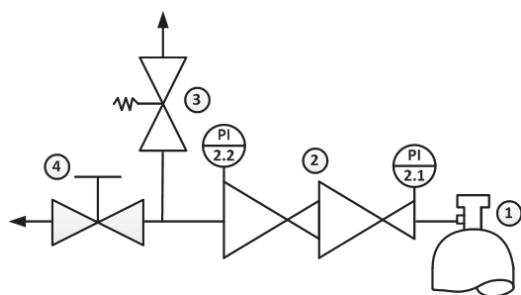
3.2. FLÖDESSCHEMA – TVÅSTEGSVERSION

C200HV/2



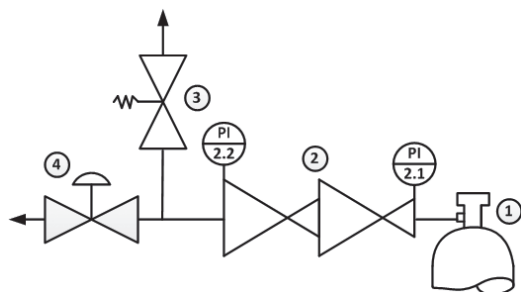
- 1 – GASFLASKA
- 2 – TRYCKREGULATOR
- 3 – UTBLÅSNINGSVENTIL

C200HV/2 A



- 1 – GASFLASKA
- 2 – TRYCKREGULATOR
- 3 – UTBLÅSNINGSVENTIL
- 4 – AVSTÅNGNINGSVENTIL

C200HV/2 B

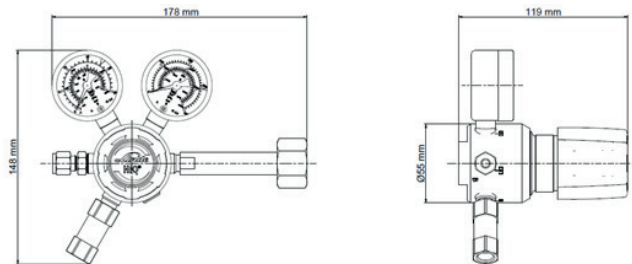


- 1 – GASFLASKA
- 2 – TRYCKREGULATOR
- 3 – UTBLÅSNINGSVENTIL
- 4 – REGLERINGSVENTIL

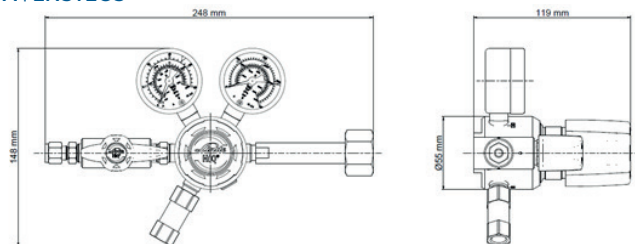
SV

3.3. MÅTTBESKRIVNING

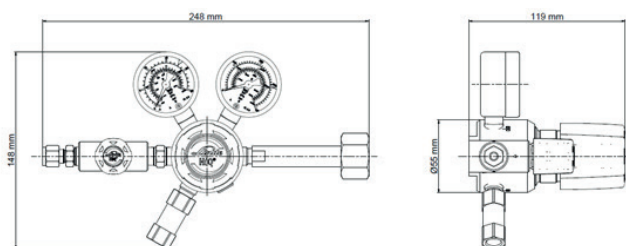
ENSTEGS



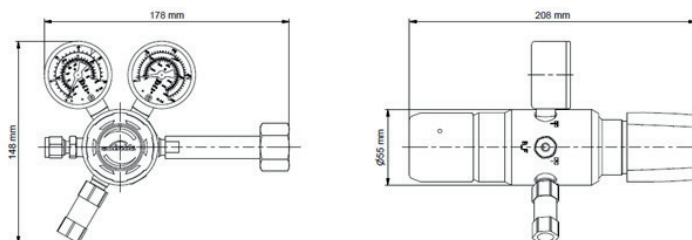
VERSION A | ENSTEGS



VERSION B | ENSTEGS

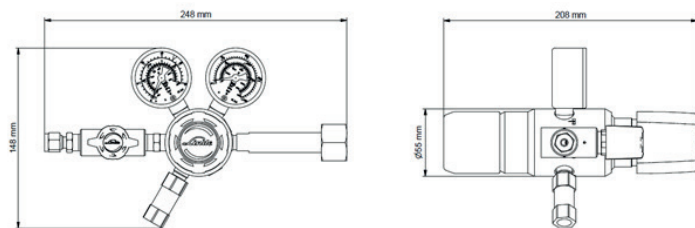


TVÅSTEGS

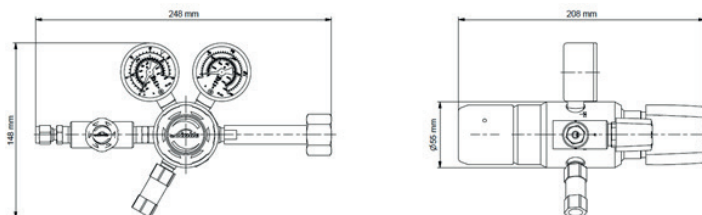


SV

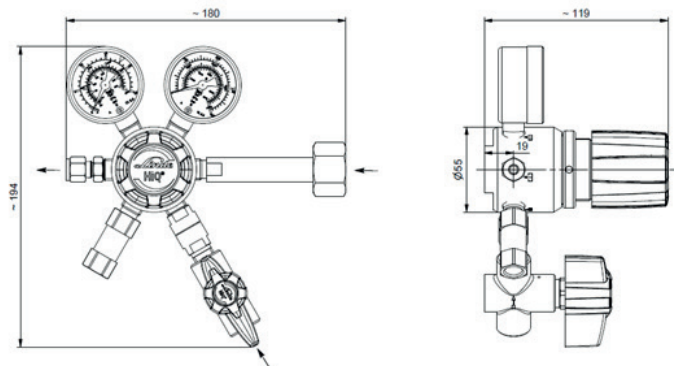
VERSION A | TVÅSTEGS



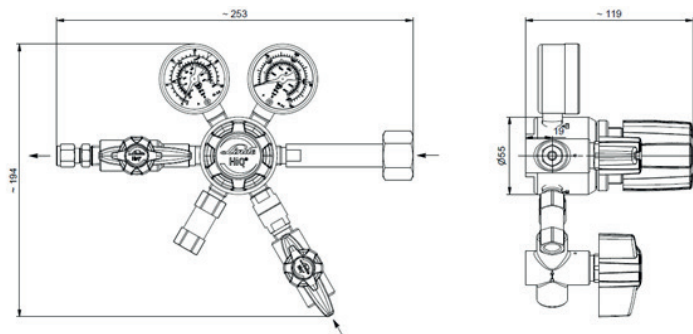
VERSION B | TVÅSTEGS



VERSION TP | ENSTEGS

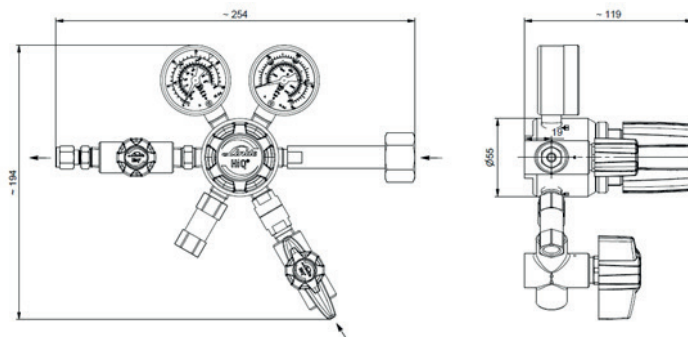


VERSION TPA | ENSTEGS



SV

VERSION TPB | ENSTEGS



3.4. ALLMÄN INFORMATION

Beteckning	Specifikation enstegs Mässing förkromad	Tvåstegs Mässing förkromad	Enstegs Rostfritt stål	tvåstegs Rostfritt stål
max Vikt [kg]	2,5	3,3	4,04	4,93
Längd [mm]	223	223	263	263
Bredd [mm]	114	202	114	202
Höjd [mm]	168	168	168	168

3.5. ANSLUTNINGSVÄRDEN

Beteckning	Värde	Enhet
Inlopp	DIN477 AFNOR BS CGA Etc.	Flaskanslutningar
Utlopp	1/8", 1/4", 3/8", 1/2" 3, 6, 8, 10, 12 4,8; 6,4; 8,0	Klämringar tum Klämringar mm Slangmunstycke mm (max. 15 bar)
Utblåsningsventil	1/4"	Klämringar tum

3.6. PRESTANDA

Beteckning	Värde	Enhet
Nominellt flöde (ISO 2503)	20 (Tryckluft)	m ³ /h
Inloppstryck (max.)	C12hv - 12 bar C200hv - 200 bar	bar
Utloppstryck (max.)	200 (beroende på inloppstryck)	bar

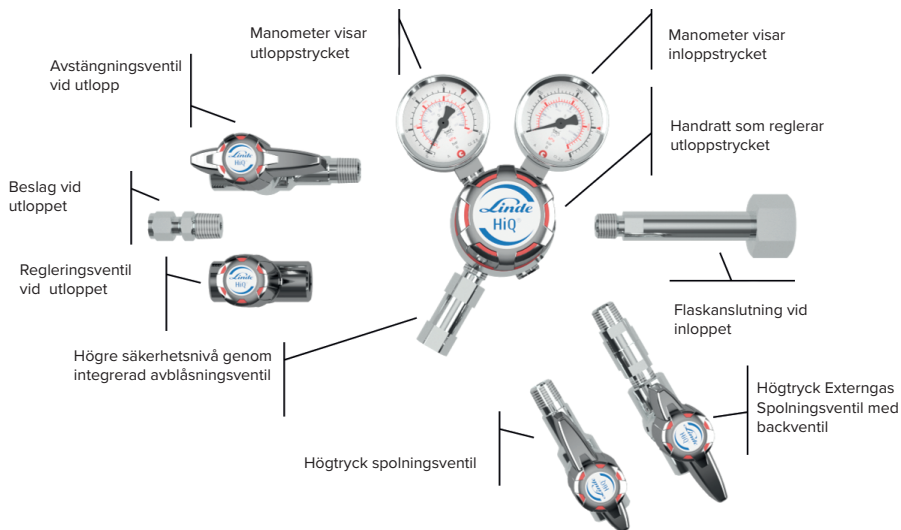
SV

3.7. DRIFTSVILLKOR OMGIVNING

Beteckning	Värde	Enhet
Temperaturintervall	-20 till +60	°C
Relativ luftfuktighet (max.)	98	%

4. KONSTRUKTION OCH FUNKTION

4.1. FÖRKROMAD MÄSSINGSVERSION



4.2. KORT BESKRIVNING

Flaskregulator manövreras manuellt med handratten. Du kan läsa inlopps- och utloppstryck på inlopps- och utloppstrycksmätaren. Olika extrakomponenter flyter in i hanteringen:

- Avstängningsventil vid utloppet för att stänga av utloppstrycket.
- Regleringsventil vid utloppet för att kontrollera utloppstrycket.
- Spolningsventil för extern gas med backventil för att spola inloppets högtryckssida.

5. TRANSPORT, FÖRPACKNING OCH LAGRING



TIPS OCH REKOMMENDATIONER!

- Installation och första driftsättning utförs helst av tillverkarens anställda eller av personer som har auktoriserats av denne.
- Trots detta kan det hända att servicepersonal eller andra personer under installationen och den fortsatta användningen anförtros hanteringen av kolli. Då är det viktigt att följa följande instruktioner.

5.1. SÄKERHETSINSTRUKTIONER FÖR TRANSPORTEN



OBSERVERA!

- **Materialskada på grund av felaktig transport!**
- Vid felaktig transport kan transporterade saker falla eller välta. Detta kan leda till materialskador i betydande omfattning.
- Var försiktig när du lastar av transportgodset vid leverans och under intern transport och iakttä symbolerna och anvisningarna på förpackningen.
- Använd endast de medföljande fästpunkterna.
- Ta inte bort förpackningen förrän strax före monteringen.

5.2. TRANSPORTINSPEKTION

Kontrollera att leveransen är fullständig och att inga transportskador finns omedelbart efter mottagandet. Om det finns yttre synliga transportskador ska du gå tillväga på följande sätt:

- Inte ta emot leveransen eller ta emot den endast med förbehåll.
- Notera skadans omfattning på transportdokumenten eller på transportörens följesedel.
- Påbörja en reklamation.



TIPS OCH REKOMMENDATIONER!

- Reklamera eventuella fel så snart de upptäcks. Skadeståndsanspråk kan endast göras inom ramen för garantitiden.

5.3. FÖRPACKNING

De enskilda förpackningarna förpackas för att motsvara förväntade transportförhållanden. För förpackningen har endast miljövänliga material använts.

Förpackningen är avsedd att skydda de enskilda komponenterna från transportskador, korrosion och andra skador. Därför får du inte ta sönder förpackningen och inte ta bort den förrän strax före monteringen.



OBSERVERA!

- **Risk för miljö vid felaktigt bortscaffande!**
- Förpackningsmaterial har värdefulla råvaror och kan i många fall återanvändas eller bearbetas och återvinnas. Felaktigt bortscaffande av förpackningsmaterial kan medföra miljörisiker.
- Återvinn och kassera förpackningsmaterialet på ett miljövänligt sätt.
- Observera de lokalt gällande bestämmelserna för bortscaffande. Vid behov kan du ge ett återvinningsföretag i uppdrag att utföra bortscaffandet.

5.4. FÖRVARING

Förvara fraktpaket på följande vis:

- Förvara inte utomhus.
- Förvaras på en torr och dammfri plats.
- Utsätt inga paket för aggressiva ämnen.
- Skydda från solljus.
- Undvik mekaniska stötar.
- Förvaringstemperatur: 15 till 35 °C.
- Relativ fuktighet: max. 60 %.
- Vid förvaring längre än 3 månader, bör det allmänna skicket på alla delar och förpackningen kontrolleras regelbundet. Ersätt eller förnya konservering vid behov.



TIPS OCH REKOMMENDATIONER!

- Det kan finnas förvaringsanvisningar på förpackningarna som går utöver de som nämns här. Följ dessa i så fall.

6. INSTALLATION OCH FÖRSTA IDRIFTTAGANDE

6.1. SÄKERHETSANVISNINGAR FÖR INSTALLATIONEN OCH FÖRSTA IDRIFTTAGANDE

PERSONAL

Installation och idrifttagning får endast utföras av kvalificerad personal.

6.2. FÖRBEREDELSE

UPPACKNING

- Komponenterna måste packas upp varsamt och noggrant.
- Ta också bort ytterligare förpackningsmaterial.
- Undersök alla komponenter för transportskador.

AVLASTA

- Avlasta gastrycket i alla befintliga system, vid behov spola med inert gas
- Håll isär rörledning i eventuellt befintliga system med specialverktyg för att undvika spån
- Se till att anslutningsdelarna är i perfekt skick och rena

6.3. INSTALLATION

Använd endast tryckreducerare med flaskans anslutning i enlighet med olika gaser och nationella och internationella riktlinjer (DIN477, CGA, AFNOR etc.).

FARA!

- Gångorna på flaskventilen och svivelmuttern måste vara i perfekt skick.

VARNING!

- Använd alltid endast nya tätningar. Tätningarna får inte vara deformerade och får inte visa spår av smuts eller metallflis.
- Det är inte tillåtet att använda flera tätningar på ett tätningsställe. Använda tätningar måste avlägsnas.

VARNING!

- Använd inte en nyckelförlängning, annars kan gängan och tätningen förstöras.
- Detta kan leda till läckage, okontrollerad gasutströmning eller fullständigt utflöde av gasen.
- Använda tätningar måste avlägsnas.

VARNING!

- Vid anslutning eller byte av flaskor som innehåller giftiga eller frätande gaser ska lämpliga personskyddsåtgärder vidtas (andningsskydd, ögonskydd och skyddskläder).
- Observera MAK-värdena (se Tekniska regler för farliga ämnen, TGRS 900), ha korrekta andningsskydd redo. Använd endast flaskregulatorer för flaskor med spolningsanordning.

VAR FÖRSIKTIG!

- Före anslutning måste typskylten användas för att kontrollera om föreliggande armatur är lämplig för den avsedda användningen.

6.3.1. FÖRBEREDELSE

Endast tryckregulatorer med flaskanslutningar med relevant standard (DIN477, CGA, AFNOR etc.) för den insatta gasen får användas.

6.3.2. ANSLUTNING AV GASFLASKAN

Sätt in den tätning som motsvarar respektive flaskanslutning och gastyp.

Skruva först fast svivelmuttern för hand på flaskans ventilanslutning.

Var uppmärksam på höger- och vänstergångor!

Sätt på tryckregulatorn – luta den inte!

Dra åt svivelmuttern med passande nyckel. Använd ingen nyckelförlängning för annars kan gängan och tätningen förstöras. Detta kan orsaka läckage leda till okontrollerat utflöde av gastillförseln (fullständig gasförlust!).

För flaskanslutningar med manuell anslutning drar du åt svivelmuttern för hand.

Var försiktig, använd inte en nyckel, annars kan greppytan förstöras.

SV



Anslutningsledningarna är vanligtvis monterade med klämringsskoppling. Först avlägsnas tätningsslöcken från anslutningarna.

Installationen utförs genom att rörledningen helt sätts in i klämringskopplingen. Skruva sedan på svivelmuttern för hand och använd en haknyckel (första montering 1 1/4 varv för rör större än 1/8 tum och 3/4 varv för rör med 1/8 tum eller mindre, ommontering 1/4 varv för alla rör) för att dra åt ordentligt.

Utblåsningsrören ansluts till utblåsningsventilen på samma sätt.

Observera tillverkarens instruktioner samt materialets lämplighet för särskilda gaser och tryckområden.

Flaskregulatorer finns med ett maximalt utloppstryck på 15 bar med slangmunstycke.

Munstyckets koniska form gör att slangen enkelt kan fästas.

Typ TP, TPA, TPB, med spolningsventil för extern gas

För flaskregulatorer med en ventil för extern gasspolning (TP, TPA, TPB) måste en extra anslutningsledning för den externa gasen anslutas enligt beskrivningen ovan.

6.4. FÖRUTSÄTTNINGAR FÖR FÖRSTA IDRIFTTAGANDE

- Rörsystemens inspektionsprotokoll med avseende på täthet (vid behov även fuktighet och partiklar) finns tillgängligt.
- Slangar för processgas, slangar för ventilations- och spolningsgas, slangar för säkerhetsventiler och backventiler, om sådana finns, måste anslutas
- Det finns endast standardgas i processgasledningen. (se punkt 1.2)
- Driftstart får endast utföras av utbildad och kvalificerad personal.
- Använd endast verktyg som inte ger gnistor och ha dem redo före installationen.
- Skyddskläder som motsvarar föreskrifterna måste bäras.
- Före första driftstart bör med hjälp av typskylten kontrolleras om flaskregulatorn är lämplig för den avsedda användningen (gas, tryck, ämne, etc.)
- Vid användning av frätande, giftiga gaser i flaskregulatorer av rostfritt stål Version TP, TPA, TPB, måste spolning genom extern gasspolning med inert gas utföras före driftstart (se punkt 6.5.2).

6.5. FÖRSTA IDRIFTTAGANDE

- Alla krav är uppfyllda enligt punkt 6.4.
- Flaskregulatorn är tömd (stängd), dvs. handratten är vriden helt ut (till vänster).
- När frätande och/eller giftig gas används tillsammans med den rostfria versionen TP, TPA, TPB av flaskregulatorn måste spolning med inert gas utföras innan den första idrifttagningen (se punkt 6.5.2).



WARNING!

- Det är viktigt att säkerställa att flaskregulatorn inte är trycksatt över det tillåtna arbetstrycket.

6.5.1. Fyllning av processgasledning med processgas

Ställ in önskat utloppstryck genom att långsamt vrida tryckregulatorns handratt medurs. Flaskregulatorn är nu i drift. Det rekommenderas att tryckregulatorn kontrolleras dagligen och att trycket kontrolleras

6.5.2. FLASKBYTE

När frätande och/eller giftig gas används tillsammans med den rostfria versionen TP, TPA, TPB av flaskregulatorn, måste flaskbyte föregås av spolning med inertgas (se punkt 6.5.2).



OBSERVERA!

- Använd torr, ren spolningsgas för externgasspolning med inert gas. Vi rekommenderar en gasenhet som passar användningen.



WARNING!

- Vid byte av flaskor med giftiga, frätande gaser måste lämpliga personskyddsåtgärder vidtas (andningskydd, ögonskydd och skyddskläder).
- MAK-värden (se Tekniska regler för farliga ämnen, TGRS 900), ha korrekt andningskydd redo.



FARA!

- Om giftiga och/eller frätande gaser har avlägsnats från trycksatta gasflaskor måste den trycksatta enheten spolas med inert gas (spolning med extern gas). Detta säkerställer att restgasen i systemet strömmar ut genom spolningsröret

FÖRBEREDELSE

1. Stäng gasflaskans ventil ordentligt
2. Töm tryckregulatorn helt och hållet, inlopps- och utloppstryckmätarnas visare måste båda vara inställda på "0"
3. Vrid tryckregulatorns handratt moturs så långt det går, tryckregulatorn stängs
4. Stäng avstängnings- eller regleringsventil för utloppet, om sådan finns
5. Utför först spolnings- eller avlastningsprocessen för versionerna **P, TP, TPA, TPB**

EXTERN GASSPOLNING

Spolningsprocess för flaskregulatorer med spolningsventil för extern gas på högtryckssidan (**TP, TPA, TPB**)

A Kontrollera att inloppet för spolgas och utloppet för processgas är korrekt anslutna

B Stäng alla ventiler

C Stäng tryckregulatorn genom att vrida handhjulet moturs

D Öppna ventilen för extern gas

E Stäng ventilen för spolning av extern gas

F Öppna kort regulatorn eller utloppets utlopps-avstängningsventil eller och låt spolningsgasen flöda genom regulatorutloppet

G Stäng regulatorn och utloppsavstängnings- eller utloppsegeringsventil

Upprepa stegen D-G tio gånger för att få ett perfekt spolningsresultat.

6. Lossa svivelmuttern på gasflaskan med en skiftnyckel. Vid en flaskanslutning med manuell anslutning lossas svivelmuttern för hand.
7. Anslut nya flaskor enligt beskrivningen ovan (punkt 6.3.1).

6.5.3. URDRIFTTAGNING

När frätande och/eller giftig gas används tillsammans med den rostfria versionen **TP, TPA, TPB** av flaskregulatorn måste spolning med inert gas utföras innan urdrifftagningen (se punkt 6.5.2).



VAR FÖRSIKTIG!

- Observera i allmänhet när du demonterar: Töm tryckregulatorer och -ledningar genom att tömma gasen, manometervisaren i uppströms- och nedströmsmanometern måste stå helt på "0".
 - Vid frätande eller giftiga gaser, spola alla komponenter med inert gas.
 - Vidta lämpliga personskyddsåtgärder (andningsskydd, ögonskydd och skyddskläder).
 - Observera MAK-värdena (se Tekniska regler för farliga ämnen, TGRS 900), ha korrekta andningsskydd
 - redo.
1. Stäng gasflaskans ventil ordentligt
 2. Töm tryckregulatorn helt och hållet, inlopps- och utloppstryckmätarnas visare måste båda vara inställda på "0"
 3. Vrid tryckregulatorns handratt moturs så långt det går, tryckregulatorn stängs
 4. Stäng avstängnings- eller regleringsventil för utloppet, om sådan finns
 5. Med versionerna **P, DP, TP, TPA, TPB, EP, EPA och/eller EPB** bör spolning eller tömning först genomföras (siehe Punkt 6.5.2)
 - Stäng flaskregulatorn genom att vrida regulatorns ratt moturs.
 - Töm rörledningen!
 - Flaskregulatorn är nu ur drift. Nu kan reparations- och underhållsarbeten utföras.

6.6. KONTROLLER

- Kontrollera att tryckregulatorns trycksättningsfunktion.
- Kontrollera att utblåsningsventilen är tät.

7. DRIFT

Flaskregulatorns funktion för standardgaser definieras enligt kapitel 2.1.



VAR FÖRSIKTIG!

- Handventiler måste alltid öppnas långsamt och försiktigt för att undvika tryckstötter i systemet och skydda andra komponenter.

För ett kort avbrott i gasuttaget räcker det att stänga avstängnings- eller kontrollventilen på regulatorn. Vid längre avbrott måste regulatorn trycklösas genom att vrida handhjulet moturs. Av säkerhetsskäl ska du stänga cylinderventilen.

8. UNDERHÅLL

8.1. SÄKERHETSINSTRUKTIONER FÖR UNDERHÅLL

! OBSERVERA!

- Underhållsarbeten får endast utföras av kvalificerad, utbildad och auktoriserad personal. (se kapitel 2.4).

8.2. UNDERHÅLLSSHEMA

I följande avsnitt beskrivs de underhållsåtgärder som är nödvändiga för att säkerställa en optimal och problemfri drift av enheten.

Om de regelbundna kontrollerna visar på ökat slitage, bör nödvändiga underhållsintervaller justeras i proportion till det faktiska slitaget.

! OBSERVERA!

- Kontakta kundservice om du har några frågor om underhållsarbete och underhållsintervaller.

Intervall	Underhållsarbete	Personal
Veckovis	Visuell kontroll av alla komponenter	Kvalificerad person (TRBS 1203)
Årlig	Driftskontroll avseende funktion och täthet, kontroll av alla säkerhetsrelevanta delar	Kvalificerad person (TRBS 1203)
Grundöversyn och var 10 e år	Utbyte av utslitna delar	Kvalificerad person (TRBS 1203)

8.3. UNDERHÅLLSARBETE

8.3.1. RENGÖRING

! OBSERVERA!

- Rengöringsmedel måste vara kompatibla med det material som de kommer i kontakt med.

8.3.2. UNDERHÅLLSFÖRUTSÄTTNING

INNAN DU BÖRJAR UNDERHÅLL, KONTROLLERA ATT

- Gasförsörjningen avbryts och säkras.
- Tömningscentralen saknar tryck.
- Tryckregulatorn är tömd.
- Ventilen är stängd.
- Det finns inte mer processgas i systemet.
- Systemet har spolats med en inert gas.

8.3.3. NÖDVÄNDIGT UNDERHÅLL

- Kontrollera tryckvisarens visningsvärde vad gäller visningsnoggrannhet.
- Tömningscentral, tryckregulator, ventiler och tryckindikatorer: Status för funktion, skick och märkningen.
- Kontrollera märkningen.
- Kontrollera korrosion.
- Kontrollera funktion.
- Utför ett täthetstest med 1-faldigt arbetstryck i 12 timmar.
- Slitna och defekta komponenter måste bytas ut omedelbart, detta arbete måste alltid utföras av behörig fackpersonal.

- Ventilerna konstruerades i enlighet med ISO 10297. Detta inkluderar ett typprov där ventilen har genomgått ett livcykeltest på upp till 2000 cykler. Efter 2000 cykler bör berörda innerdelar bytas ut, och detta arbete måste utföras av kvalificerad fack- personal.
- Om det hittas läckor eller överdriven korrosion på tömningscentralen/tryckregulatorn eller ventilen behöver dessa helt bytas ut mellan nästa möjliga löstagnbara anslutning av auktoriserad personal.
- Efter byte av komponenter eller rörledningar måste trycktester utföras igen och protokolleras.

8.4. ÅTGÄRDER EFTER UNDERHÅLL

EFTER ATT UNDERHÅLLSARBETE SLUTFÖRTS OCH INNAN DRIFTSTART AV TÖMNINGSCENTRALEN SKA FÖLJANDE STEG UTFÖRAS MED TRYCKREGULATORN ELLER VENTILEN:

1. Se till att alla verktyg, material och annan utrustning som används taigts bort från arbetsområdet.
2. Rengör arbetsområdet och ta bort eventuella läckta ämnen som t.ex. vätskor, bearbetningsmaterialeller liknande.
3. Se till att alla säkerhetsanordningar i systemet fungerar korrekt.

9. STÖRNINGAR

I följande kapitel beskrivs möjliga orsaker till funktionsstörningar och det arbete som krävs för att åtgärda dem. Om störningar inträffar oftare måste underhåll ske oftare i proportion till de faktiska störningen. Vid störningar som inte kan åtgärdas med hjälp av följande instruktion, kontakta tillverkaren.

9.1. SÄKERHETSINSTRUKTIONER FÖR FELSÖKNING

Vid fel måste alltid gastillförseln avbrytas, tryckregulatorn tömmas och ventilerna stängas. Under inga omständigheter får underhållsarbeten utföras på komponenter under tryck.

ÅTGÄRDER VID FEL:

1. Avbryt och säkerställ gasförsörjning.
2. Töm tryckregulatorn, stäng ventilerna.
3. Endast kvalificerad personal får åtgärda fel.
4. Återställ enhetens ursprungliga tillstånd.

Beskrivning	Orsak	Lösning	Ventiler	Flasktryckregulator	Ledningstryckregulator	Tömningscentraler
Inget flöde (Inloppsmanometer visar tryck, utloppsmanometer gör det inte)	Tryckregulator är stängd	Tryckregulator långsamt tryckregulatorn stäng spolningsventil		<input checked="" type="checkbox"/>	<input checked="" type="checkbox"/>	<input checked="" type="checkbox"/>
Inget genomflöde (båda manometrar visar noll)	Flaskventil stängd Bruksgasventil stängd tryckregulator stängd spiral/slang inte ansluten	Drift-start enligt Punkt 6. Ininstallation och Första idrifttagande		<input checked="" type="checkbox"/>	<input checked="" type="checkbox"/>	<input checked="" type="checkbox"/>
Inget genomflöde	Tryckregulator är stängd	Tryckregulator långsamt tryckregulatorn	<input checked="" type="checkbox"/>			
Baktryckstegring & Utblåsningsventil öppnar	Läckage i Tryckregulatorposition	Reparation via tillverkare		<input checked="" type="checkbox"/>	<input checked="" type="checkbox"/>	<input checked="" type="checkbox"/>

Beskrivning	Orsak	Lösning	Ventiler	Flasktryckregulator	Ledningstryckregulator	Tömningscentraler
Lätt baktryckstegring & Utblåsningsventil öppnas inte	Tryckminskning	Inget fel, normalt drifttillstånd		<input checked="" type="checkbox"/>	<input checked="" type="checkbox"/>	<input checked="" type="checkbox"/>
Lätt baktryckstegring &	Skillnad mellan Flödestryck (med genomflöde) och Tomgångstryck (inget genomflöde)	Inget fel, normalt drifttillstånd		<input checked="" type="checkbox"/>	<input checked="" type="checkbox"/>	<input checked="" type="checkbox"/>
Lätt baktrycksfall	Skillnad mellan Tomgångstryck (inget genomflöde) och Flödestryck (med genomflöde)	Inget fel, normalt drifttillstånd		<input checked="" type="checkbox"/>	<input checked="" type="checkbox"/>	<input checked="" type="checkbox"/>
Starkt baktrycksfall	Nödvändigt genomflöde för tryckregulator för stort	Val av en ny tryckregulator för nödvändigt tryck & flöde		<input checked="" type="checkbox"/>	<input checked="" type="checkbox"/>	<input checked="" type="checkbox"/>
Starkt baktrycksfall	Läckande Kontrollera process-	Kontrollera processgasledning		<input checked="" type="checkbox"/>	<input checked="" type="checkbox"/>	<input checked="" type="checkbox"/>
Utloppstryck för högt	Felaktig regleringsinställning	Tryckregulator inställning, efterjustera, Underhåll		<input checked="" type="checkbox"/>	<input checked="" type="checkbox"/>	<input checked="" type="checkbox"/>
baktryck stiger omedelbart till stopp eller baktryck stiger långsamt över det inställda värdet & utblåsningsventil blåser	Av smuts eller skador på position "Stiger"	Reparation via tillverkare		<input checked="" type="checkbox"/>	<input checked="" type="checkbox"/>	<input checked="" type="checkbox"/>

SV

Beskrivning	Orsak	Lösning	Ventiler	Flasktryckregulator	Ledningstryckregulator	Tömningscentraler
Ljud under drift	Nödvändigt genomflöde för tryckregulator för högt	Val av en ny tryckregulator för nödvändigt tryck & flöde		☑	☑	☑
Inget förändring av ventilkontrollen trots vridning av handhjulet	Handhjul defekt pga. för hög vridmoment, spindel defekt, Gänga defekt	Reparation via tillverkare	☑	☑	☑	☑
Lufftuktighet på tryckregulator (INGEN fukt, regn eller snö)	tryckregulator undandrar omgivningen energi genom gastömning	Inget fel, Normalt drifttillstånd		☑	☑	☑
Isbildning på tryckregulator (INGEN fukt, regn eller snö)	tryckregulator undandrar omgivningen energi genom Gastömning, begränsad leveransförmåga för tryckgasbehållare t.ex. vid N ₂ O, CO ₂	Inget fel, Normalt drifttillstånd OBSERVERA: se till att kontaktmanometern fungerar, Höj antal för tryckgasbehållare		☑	☑	☑

Denna tabell gör inte anspråk på att vara uttömmande. För frågor och osäkerheter kontakta tillverkaren.

10. DEMONTERING OCH BORTSKAFFANDE

När apparaten har nått slutet av sin livslängd måste den demonteras och bortskaffas på ett miljövänligt sätt.

SV

10.1. SÄKERHETSINSTRUKTIONER FÖR DEMONTERING OCH KASSERING



VARNING!

- **Risk för skador vid felaktig demontering!**
- Lagrade restenergi, kantiga komponenter, spetsar och hörn på och i enheten eller på nödvändiga verktyg kan orsaka skador.
- Se till att det finns tillräckligt med utrymme innan arbetet påbörjas.
- Hantera öppna, skarpkantade komponenter försiktigt.
- Var uppmärksam på ordning och renlighet på arbetsplatsen!
- Komponenter och verktyg som löst staplas eller ligger utspridda kan förorsaka olyckor.
- Demontera komponenterna fackmässigt. Observera komponenternas delvis höga egenvikt. Om så krävs använda lyftutrustning.
- Säkra komponenterna så att de inte faller eller välter.
- Kontakta tillverkaren om något är oklart.

10.2. DEMONTERING

INNAN DEMONTERINGEN PÅBÖRJAS

Stäng flaskregulatorn genom att vrida handhjulet moturs.

Töm flaskregulator och se till att det inte finns mer processgas inuti.

Töm trycket i systemet och spola det vid behov med en inert gas.

Ta bort drifts- och hjälpmaterial samt återstående bearbetningsmaterial och kassera dem på ett miljövänligt sätt.

Rengör sedan enheterna och komponenterna ordentligt och demontera dem i enlighet med gällande lokala arbetsmiljö- och säkerhetsföreskrifter.



WARNING!

- **Öppna inte systemet om det fortfarande finns giftig och/eller frätande gas i det!**

10.3. BORTSKAFFANDE

Om inget retur- eller bortskaffningsavtal har ingåtts, ta demonterade komponenter till materialåtervinning: skrota metall.

Skicka plastelement till återvinning.

Kassera resterande komponenter sorterade efter deras materialegenskaper.

Enligt artikel 33 i REACH-förordningen förpliktigar sig företaget GCE, s.r.o. som ansvarig tillverkare att informera kunderna när materialen innehåller 0,1% eller mer av ämnen som finns på listan över oroväckande ämnen (SVHC). De mässinglegeringar som oftast används för karosserier och andra mässingskomponenter innehåller 2-3 %

Bly (Pb), EG-nr 231-468-6, CAS-nr 7439-92-1. Vid normal användning släpps inte bly ut i gasen eller i miljön. I slutet av sin livslängd måste produkten återvinnas av ett godkänt metallåtervinningsföretag för att säkerställa ett effektivt bortskaffande av materialet med minimal påverkan på miljö och hälsa.

Hittills har vi ingen information som tyder på att material med SVHC-koncentrationer över 0,1 % finns i GCE-produkter.



OBSERVERA!

- **Risk för miljö vid felaktigt bortskaffande!**
- Felaktigt bortskaffande kan orsaka risker för miljön.
- Elektriskt skrot, elektroniska komponenter, smörjmedel och andra hjälpmaterial från godkända specialföretag behöver bortskaffas.
- I tveksamma fall kan du få information om miljövänligt bortskaffande från lokala kommunen eller speciella avfallshanteringsföretag.

CONTENUTO

1. GENERALE	338
1.1. INFORMAZIONI SU QUESTE ISTRUZIONI	338
1.2. INFORMAZIONI SUL RIDUTTORE DI PRESSIONE DA BOMBOLA	338
1.3. SPIEGAZIONE DEI SIMBOLI	339
1.4. LIMITAZIONE DI RESPONSABILITÀ	340
1.5. PROTEZIONE DEL COPYRIGHT	340
1.6. PEZZI DI RICAMBIO	340
1.7. DISPOSIZIONI DI GARANZIA	341
1.8. SERVIZIO CLIENTI	341
2. SICUREZZA	341
2.1. USO PREVISTO	341
2.2. PERICOLI PRINCIPALI	341
2.3. RESPONSABILITÀ DELL'OPERATORE	342
2.4. REQUISITI DEL PERSONALE	343
2.4.1. QUALIFICHE	343
2.4.2. PERSONE NON AUTORIZZATE	343
2.4.3. ISTRUZIONI	344
2.5. DISPOSITIVI DI PROTEZIONE INDIVIDUALE	344
2.6. COMPORTAMENTO IN CASO DI INCENDIO E INCIDENTI	345
2.7. PROTEZIONE AMBIENTALE	345
2.8. SEGNALETICA	345
2.8.1. SEGNALI DI OBBLIGO	345
2.8.2. SEGNALI DI DIVIETO	345
2.8.3. SEGNALI DI AVVERTENZA - RISCHIO O PERICOLO	345
3. DATI TECNICI	346
3.1. DIAGRAMMA DI FLUSSO - VERSIONE MONOSTADIO	346
3.2. DIAGRAMMA DI FLUSSO - VERSIONE BISTADIO	348
3.3. DISEGNO QUOTATO	349
3.4. INFORMAZIONI GENERALI	351
3.5. VALORI DI COLLEGAMENTO	351
3.6. VALORI DI PRESTAZIONI	351
3.7. CONDIZIONI OPERATIVE DELL'AMBIENTE	351
4. STRUTTURA E FUNZIONE	352
4.1. VERSIONE CROMATA IN OTTONE	352
4.2. BREVE DESCRIZIONE	352
5. TRASPORTO, L'IMBALLAGGIO E STOCCAGGIO	352
5.1. INDICAZIONI DI SICUREZZA PER IL TRASPORTO	352
5.2. ISPEZIONE DOPO IL TRASPORTO	353
5.3. IMBALLAGGIO	353
5.4. STOCCAGGIO	353
6. INSTALLAZIONE E MESSA IN FUNZIONE INIZIALE	353
6.1. ISTRUZIONI DI SICUREZZA PER L'INSTALLAZIONE E PRIMA MESSA IN SERVIZIO	353
6.2. PREPARAZIONI	353
6.3. INSTALLAZIONE	354
6.3.1. PREPARAZIONE	354
6.3.2. COLLEGAMENTO DELLA BOMBOLA DEL GAS	354
6.4. PREREQUISITO PER LA PRIMA MESSA IN SERVIZIO	355
6.5. PRIMA MESSA IN SERVIZIO	355
6.5.1. RIEMPIRE IL TUBO DEL GAS DI PROCESSO CON IL GAS DI PROCESSO	356
6.5.2. CAMBIO BOMBOLA	356
6.5.3. MESSA FUORI SERVIZIO	357
6.6. CONTROLLI	357
7. FUNZIONAMENTO	357

8. MANUTENZIONE.....	358
8.1. ISTRUZIONI DI SICUREZZA PER LA MANUTENZIONE.....	358
8.2. PROGRAMMA DI MANUTENZIONE.....	358
8.3. LAVORI DI MANUTENZIONE.....	358
8.3.1. PULIZIA.....	358
8.3.2. PREREQUISITO PER LA MANUTENZIONE.....	358
8.3.3. MANUTENZIONE STRAORDINARIA DI EMERGENZA.....	358
8.4. DOPO CHE LA MANUTENZIONE È STATA COMPLETATA.....	359
9. GUASTI.....	359
9.1. ISTRUZIONI DI SICUREZZA PER LA RISOLUZIONE DEI GUASTI.....	359
10. SMONTAGGIO E SMALTIMENTO.....	362
10.1. ISTRUZIONI DI SICUREZZA PER LO SMONTAGGIO E LO SMALTIMENTO.....	362
10.2. SMONTAGGIO.....	362
10.3. SMALTIMENTO.....	362

ITALIANO

ISTRUZIONI PER L'USO: RIDUTTORE DI PRESSIONE DA BOMBOLA A 6 PORTE

1. GENERALE

1.1. INFORMAZIONI SU QUESTE ISTRUZIONI

Queste istruzioni si applicano ai riduttori di pressione da bombola monostadio e bistadio modelli:

- C12hv
- C200hv

I regolatori di pressione da bombola sono progettati per il collegamento diretto alle bombole di gas per ridurre la pressione della bombola a bassi intervalli di pressione in uscita. Le connessioni delle bombole hanno diverse filettature secondo il rispettivo standard (DIN 477, CGA, AFNOR, ecc.), a seconda del tipo di gas. Si prega di rispettare tale condizione.

Queste istruzioni permettono un uso sicuro ed efficiente del riduttore di pressione da bombola.

Il manuale è parte integrante dell'apparecchio e deve essere tenuto nelle immediate vicinanze dell'apparecchio e accessibile al personale in ogni momento. Il personale deve aver letto e compreso attentamente queste istruzioni prima di iniziare qualsiasi lavoro. Una premessa per lavorare in sicurezza è il rispetto di tutte le indicazioni di sicurezza e di esecuzione dei lavori citate nel manuale Istruzioni. Inoltre, si applicano le norme locali di prevenzione degli incidenti e le norme generali di sicurezza per l'area di utilizzo del dispositivo. Le illustrazioni in questo manuale servono per la comprensione di base e possono differire dalla configurazione reale.

1.2. INFORMAZIONI SUL RIDUTTORE DI PRESSIONE DA BOMBOLA

I regolatori di pressione da bombola di questo tipo possono essere utilizzati solo con i gas definiti come gas standard. La pressione massima in entrata per il C12hv è di massimo 12 bar e per il C200hv di massimo 200 bar.

Linea di prodotti	(Purezza 6.0 ottone cromato)	(Purezza 6.0 acciaio inossidabile)
Con sede FKM della valvola di scarico	<ul style="list-style-type: none">• Gas utilizzabili (comprese le loro miscele):<ul style="list-style-type: none">• Purezza elevata• Inerti• Combustibili• Ossidanti• O₂• Gas non utilizzabili (comprese le loro miscele):<ul style="list-style-type: none">• Corrosivi• Tossici• CO₂, N₂O	<ul style="list-style-type: none">• Gas utilizzabili (comprese le loro miscele):<ul style="list-style-type: none">• Purezza elevata• Inerti• Combustibili• Ossidante (fino a 200 bar)• Corrosivo (in caso di ambiguità per favore contattateci)<ul style="list-style-type: none">• Tossico (in caso di ambiguità per favore contattateci)<ul style="list-style-type: none">• Non utilizzabile per O₂ fino a 200 bar• Gas non utilizzabili (comprese le loro miscele):<ul style="list-style-type: none">• O₂ oltre 200 bar• CO₂, N₂O• NH₃, SO₂, H₂S

<p>Con sede in EPDM della valvola di scarico</p>	<ul style="list-style-type: none"> • Gas utilizzabili (comprese le loro miscele): <ul style="list-style-type: none"> • Purezza elevata • Inerti • Combustibili • Ossidanti • O₂, N₂O • Gas non utilizzabili (comprese le loro miscele): <ul style="list-style-type: none"> • Corrosivi • Tossici • O₂ (contenuto superiore al 21%) <ul style="list-style-type: none"> • Idrocarburi 	<ul style="list-style-type: none"> • Gas utilizzabili (comprese le loro miscele): <ul style="list-style-type: none"> • Purezza elevata • Inerti • Combustibili • Ossidanti • Corrosivo (in caso di ambiguità per favore contattateci) • Tossico (in caso di ambiguità per favore contattateci) • CO₂, N₂O • NH₃, SO₂, H₂S • Gas non utilizzabili (comprese le loro miscele): <ul style="list-style-type: none"> • O₂ (contenuto superiore al 21%) <ul style="list-style-type: none"> • Idrocarburi
---	---	--

La presente tabella non ha pretese di esaustività. In caso di domande o incertezze, contattare il produttore.

Ci sono riduttori di pressione da bombola a uno o due stadi con diaframma in metallo nella configurazione a 6 porte. Fabbricato e approvato secondo ISO7291, compresa la prova di bruciatura con ossigeno (vedere tabella paragrafo 1.2). Il riduttore di pressione da bombola consiste in un corpo del riduttore di pressione, manometri di ingresso e di uscita, collegamento alla bombola e una valvola di scarico. È dotato di vari raccordi di collegamento e/o di vari **componenti aggiuntivi come:**

- valvola di intercettazione all'uscita (A)
- valvola di controllo all'uscita (B)
- valvola di flussaggio dei gas esterni all'ingresso (TP).
- valvola di flussaggio dei gas esterni all'ingresso e valvola di intercettazione all'uscita (TPA), solo nella versione in acciaio inossidabile.
- valvola di flussaggio dei gas esterni all'entrata e valvola di controllo all'uscita (TPB), solo nella versione in acciaio inossidabile.

Le versioni **C200/1 TP, C200/1 TPA, C200/1 TPB, C200/2 TP, C200/2 TPA e C200/2 TPB** permettono di flussare il regolatore di pressione con gas esterno. Sono quindi particolarmente adatti per i gas corrosivi e tossici.

I regolatori di pressione delle bombole con dispositivo di flussaggio permettono di asciugare la valvola o di eliminare l'aria atmosferica umida che può essere entrata nel regolatore di pressione prima della messa in servizio o quando si cambiano le bombole, e di flussare la valvola dai gas tossici, corrosivi o autoinnescenti prima di metterla fuori servizio.

1.3. SPIEGAZIONE DEI SIMBOLI

ISTRUZIONI SICUREZZA

Le istruzioni di sicurezza sono indicate da simboli in questo manuale. Le istruzioni di sicurezza sono introdotte da parole di segnalazione che esprimono la portata del pericolo.



PERICOLO!

Questa combinazione di simbolo e parola di segnalazione indica un'immediata situazione di pericolo che, se non evitata, può causare la morte o gravi lesioni.



AVVERTENZA!

Questa combinazione di simbolo e parola di segnalazione indica una possibile situazione di pericolo che, se non evitata, può causare la morte o gravi lesioni.



PRUDENZA!

Questa combinazione di simbolo e parola di segnalazione indica una possibile situazione di pericolo che, se non evitata, può causare lesioni lievi o leggere.



INDICAZIONE!

La combinazione di simbolo e parola di segnalazione indica una possibile situazione di pericolo che, se non evitata, può causare danni materiali o ambientali.



CONSIGLI E RACCOMANDAZIONI

Questo simbolo evidenzia consigli e raccomandazioni utili e informazioni per un funzionamento efficiente e senza problemi.

INDICAZIONI PARTICOLARI

Per richiamare l'attenzione su particolari pericoli vengono utilizzati i seguenti simboli in correlazione alle indicazioni di sicurezza.



PERICOLO!

Questa combinazione di simbolo e parola di segnalazione indica una situazione pericolosa a livello immediato dovuta alla corrente elettrica. L'inosservanza di un avviso contrassegnato in questo modo può provocare lesioni gravi o mortali.

1.4. LIMITAZIONE DI RESPONSABILITÀ

Tutte le indicazioni in questo manuale operativo sono state realizzate considerando la normativa e le prescrizioni vigenti, lo stato attuale della tecnologia e la nostra lunga conoscenza ed esperienza in materia.

Il produttore non si assume alcuna responsabilità per i danni nei seguenti casi:

- Inosservanza di queste istruzioni
- Uso diverso da quello previsto
- Uso di personale non addestrato
- Modifiche tecniche e strutturali non autorizzate
- Uso di pezzi di ricambio non approvati
- Funzionamento dell'unità a pressione con dispositivi di sicurezza difettosi o dispositivi di sicurezza e di protezione non correttamente montati o non funzionanti
- Monitoraggio inadeguato delle apparecchiature, delle parti avvitare e delle guarnizioni soggette a usura
- Riparazioni eseguite in modo improprio
- Superamento o abbassamento del campo di temperatura specificato nella scheda tecnica durante il funzionamento o lo stoccaggio
- Catastrofi dovute a corpi esterni e forza maggiore. durante l'immagazzinamento
- Catastrofi causate da corpi esterni e forza maggiore

L'entità effettiva della fornitura può discostarsi dalle spiegazioni e dalle illustrazioni qui descritte nel caso di versioni speciali, dell'uso di opzioni di ordinazione aggiuntive o a causa delle ultime modifiche tecniche. Si applicano gli obblighi concordati nel contratto di consegna, le condizioni generali, nonché le condizioni di consegna del produttore e le disposizioni legali valide al momento della stipula del contratto.

1.5. PROTEZIONE DEL COPYRIGHT

Il contenuto di questo manuale è protetto da copyright. Il suo uso è consentito nell'ambito dell'uso del presente dispositivo. Qualsiasi uso oltre questo non è permesso senza il consenso scritto del produttore.

1.6. PEZZI DI RICAMBIO



AVVERTENZA!

- Pericolo di lesioni a causa dell'uso di pezzi di ricambio errati!
- L'uso di pezzi di ricambio errati o difettosi può causare pericoli per il personale, danni, malfunzionamenti o guasti totali.
- Usare solo pezzi di ricambio originali del produttore o pezzi di ricambio approvati dal produttore.
- Contattare sempre il produttore in caso di dubbio.



GARANZIA INVALIDATA!

- L'uso di pezzi di ricambio non approvati invalida la garanzia del produttore.

1.7. DISPOSIZIONI DI GARANZIA

In linea di principio, si applicano le nostre "Condizioni generali di vendita e fornitura". Questi sono a disposizione del cliente al più tardi a partire dalla stipula del contratto.

1.8. SERVIZIO CLIENTI

Siamo sempre interessati ad avere informazioni ed esperienze acquisite dall'uso che possono essere preziose per migliorare i nostri prodotti.

2. SICUREZZA

Questo paragrafo fornisce una panoramica di tutti gli aspetti di sicurezza più importanti per una protezione ottimale delle persone nonché per un funzionamento sicuro e privo di anomalie. Ulteriori istruzioni di sicurezza relative alle attività sono contenute nelle sezioni relative alle singole fasi di vita del dispositivo.

2.1. USO PREVISTO

I regolatori di pressione delle bombole tipo C12hv e C200hv sono adatti solo per i gas e le pressioni specificate sotto l'uso in conformità con le temperature specificate. Il flusso di volume nominale è di 20 m³/h (aria compressa) secondo ISO 2503. L'uso previsto comprende anche il rispetto di tutte le informazioni e note di queste istruzioni e l'osservanza dei lavori di ispezione e manutenzione, nonché l'osservanza dei dati di targa e delle schede tecniche. Qualsiasi uso oltre l'uso previsto o qualsiasi altro uso è considerato un uso improprio.



AVVERTENZA!

- **Pericolo a causa uso improprio!**
- L'uso improprio del riduttore di pressione da bombola può portare a situazioni pericolose.
- Non utilizzare mai il riduttore di pressione da bombola come elemento di controllo del flusso o come valvola di intercettazione.
- Non usi mai il riduttore di pressione da bombola per i liquidi.

2.1.1. MODIFICHE COSTRUTTIVE AL RIDUTTORE DI PRESSIONE DA BOMBOLA

Non apportare cambiamenti, aggiunte o modifiche alla valvola di intercettazione senza il permesso scritto del produttore.

I riduttori di pressione delle bombole che non sono in perfetto stato devono essere sostituiti immediatamente

Pulire gli apparecchi a gas e smaltire i residui.

I riduttori di pressione delle bombole in attesa di riparazione devono essere flussate con un gas inerte (azoto).

Generazione di rumore

In alcuni casi, l'interazione sfavorevole di alcune variabili di influenza, come la portata e il campo di pressione, ma anche il tipo di gas stesso, può portare alla generazione di rumore. In questi casi, si prega di contattare il produttore.

2.2. PERICOLI PRINCIPALI

La seguente sezione identifica i rischi residui che possono derivare dall'apparecchio anche se usato in modo conforme alle disposizioni. Per ridurre il rischio di lesioni personali e danni alla proprietà e per evitare situazioni pericolose devono essere osservate le istruzioni di sicurezza elencate qui e le istruzioni di sicurezza nelle altre sezioni di questo manuale.



PERICOLO!

- **I gas possono essere pericolosi per la vita!**
- I gas possono spostare l'aria e quindi l'ossigeno contenuto in essa. Questo può portare al soffocamento. L'ossigeno forma un'atmosfera altamente ossidativa. I gas infiammabili possono formare un'atmosfera esplosiva.

PERTANTO:

- Assicurare una ventilazione sufficiente!
- Installazione solo da un'azienda specializzata certificata!
- Rispettare le direttive ATEX



ATTENZIONE!

- **Pericoli che possono derivare dall'ambiente!**

La condensa e/o la formazione di ghiaccio possono causare difetti nel dispositivo.

PERTANTO:

- Osservare i range di temperatura!
- Proteggere il dispositivo dai liquidi provenienti dall'esterno!
- Proteggere il dispositivo dalla polvere proveniente dall'esterno!
- Installare al riparo dalle intemperie!
- Collegare correttamente la messa a terra presente nel dispositivo!



AVVERTENZA!

- **Pericolo di incidenti quando si usano olio e grasso!**

Oli e grassi non devono mai essere usati nei sistemi di controllo della pressione. Gli oli e i grassi sono altamente infiammabili e reagiscono violentemente con certi gas sotto pressione.

PERTANTO:

- Non usare olio o grasso!



AVVERTENZA!

- **Pericolo di incidente a causa dell'energia immagazzinata nel sistema!**

Una manipolazione scorretta può far muovere in modo incontrollato pezzi in pressione o relative parti e causare lesioni gravi o addirittura mortali. Una manipolazione scorretta può provocare la fuoriuscita di gas dalle parti in pressione e causare lesioni gravi o addirittura mortali.

PRIMA DI INIZIARE QUALSIASI LAVORO CON PARTI SOTTO PRESSIONE:

- Installazione solo da un'azienda specializzata certificata!
- Indossare occhiali di protezione
- Indossare una protezione auricolare!
- Assicurarsi che il sistema non sia sotto pressione!
- Assicurarsi che non ci sia più energia immagazzinata nel sistema!
- Assicurarsi che nessun gas possa uscire involontariamente!
- Assicurarsi che le parti difettose siano sostituite immediatamente da personale addestrato!



AVVERTENZA!

- **Pericolo di incidente!**

Un'installazione errata può causare lesioni gravi o addirittura mortali.

PERTANTO:

- Assicurarsi che le unità non cadano durante l'installazione!
- Non gettare i dispositivi!

Le parti sotto pressione devono essere utilizzate solo per l'uso previsto.

In caso di danni meccanici alle tubazioni e ai raccordi, il sistema deve essere portato in uno stato sicuro (bloccare la sezione interessata).

I guasti che potrebbero compromettere la sicurezza devono essere eliminati immediatamente da personale addestrato e qualificato o dal produttore.

Specialmente con i gas, c'è il rischio di causare un difetto nel riduttore di pressione della linea. Un segnale che può far dedurre ciò è: o nessun flusso di gas dopo il riduttore di pressione o un improvviso aumento della pressione secondaria. Se il riduttore di pressione è difettoso, il sistema deve essere messo fuori servizio immediatamente. La società di manutenzione responsabile deve essere informata. Non chiudere mai le linee di scarico.

2.3. RESPONSABILITÀ DELL'OPERATORE

OPERATORE

L'operatore è la persona che utilizza l'apparecchio per scopi commerciali o economici o che lo mette a disposizione di terzi per l'uso/applicazione e che si assume la responsabilità legale del prodotto per la protezione dell'utente, del personale o di terzi durante il funzionamento.

OBBLIGHI DEL GESTORE

Il dispositivo viene utilizzato in un'area industriale. Il gestore del dispositivo è soggetto alla normativa relativa alla sicurezza sul lavoro.

Oltre alle indicazioni in materiale della sicurezza sul lavoro nel presente manuale operativo bisogna considerare anche le normative di sicurezza, in materia di antinfortunistica e di tutela ambientale generalmente valide.

VALGONO PARTICOLARMENTE I SEGUENTI PUNTI:

- Il gestore deve informarsi sulle disposizioni relative alla tutela sul lavoro in vigore e comunicare ulteriori pericoli in una valutazione dei pericoli che possono sorgere a causa delle speciali condizioni di lavoro sul luogo di utilizzo del dispositivo. Esse devono tradursi in istruzioni di utilizzo per l'operatore del dispositivo.
- Durante tutto il tempo di utilizzo del dispositivo il gestore deve controllare se le istruzioni di utilizzo redatte da lui corrispondono agli attuali standard normativi e, se necessario, adattare ad esse.
- L'operatore deve regolare chiaramente e definire le responsabilità per l'installazione, il funzionamento, la risoluzione dei guasti, la manutenzione e la pulizia.
- L'operatore deve assicurarsi che tutte le persone che maneggiano il dispositivo abbiano letto e compreso queste istruzioni. Inoltre, deve formare il personale a intervalli regolari e informarlo sui pericoli.
- L'operatore deve fornire al personale i dispositivi di protezione richiesti e dare istruzioni vincolanti per indossare i dispositivi di protezione richiesti.

Inoltre, l'operatore è responsabile di assicurare che la piena affidabilità tecnica del sistema sia garantita in ogni momento.

SI APPLICA QUINDI QUANTO SEGUE:

- L'operatore deve garantire il rispetto degli intervalli di manutenzione specificati in questo manuale.
- L'operatore deve assicurarsi che tutti i dispositivi di sicurezza siano controllati regolarmente per verificarne l'affidabilità funzionale e la completezza.

2.4. REQUISITI DEL PERSONALE

2.4.1. QUALIFICHE

I vari compiti descritti in questo manuale richiedono diverse qualifiche alle persone incaricate di questi compiti.



AVVERTENZA!

- **Pericolo in caso di qualifica insufficiente delle persone addette!**
- Persone non sufficientemente qualificate non sono in grado di valutare i rischi quando maneggiano il dispositivo ed espongono se stessi e gli altri al rischio di lesioni gravi o mortali.
- Tutti i lavori devono essere eseguiti solo da persone qualificate!
- Tenere lontano dalla zona di lavoro le persone non sufficientemente qualificate!

Solo le persone che possono svolgere questo lavoro in modo affidabile sono autorizzate ad eseguire tutti i lavori. Non sono ammesse persone la cui capacità di reazione è influenzata, ad esempio, da droghe, alcol o farmaci.

In queste istruzioni sono designate per i vari compiti le qualifiche delle persone elencate di seguito:

INGEGNERI DELLA TECNOLOGIA DEL GAS

Possiede una formazione specialistica, capacità, esperienza e conoscenza delle norme e delle linee guida pertinenti per essere in grado di eseguire lavori su sistemi di controllo della pressione e identificare potenziali rischi. Gli ingegneri della tecnologia del gas sono addestrati in modo speciale per quanto riguarda il rispettivo sito di produzione e i suoi standard e linee guida specifici.

TECNICO

Possiede formazione specialistica, abilità ed esperienza negli standard e nelle linee guida pertinenti per intraprendere lavori sui sistemi di controllo della pressione e identificare potenziali rischi.

2.4.2. PERSONE NON AUTORIZZATE



AVVISO!

- **Pericolo di morte per persone non autorizzate a causa di pericoli nell'area di pericolo e di lavoro!**
- Le persone non autorizzate che non soddisfano i requisiti qui descritti non sono consapevoli dei pericoli nell'area di lavoro. Pertanto, c'è il rischio di lesioni gravi o addirittura di morte per le persone non autorizzate.
- Mantenere lontane le persone non autorizzate dall'area di lavoro!

- In caso di dubbio, avvicinare le persone e indirizzarle fuori dalla zona di pericolo e di lavoro!
- Interrompere i lavori finché le persone non autorizzate si trovano nella zona di pericolo e di lavoro!

2.4.3. ISTRUZIONI

L'operatore deve istruire regolarmente il personale. Per un migliore follow-up, si deve redigere un registro delle istruzioni con i seguenti contenuti minimi:

- Data delle istruzioni
- Nome della persona istruita
- Contenuto delle istruzioni
- Nome dell'istruttore
- Firma della persona istruita e dell'istruttore

2.5. DISPOSITIVI DI PROTEZIONE INDIVIDUALE

I dispositivi di protezione individuali sono utilizzati per proteggere le persone da danni alla sicurezza e alla salute sul lavoro.

Il personale deve indossare i dispositivi di protezione individuale durante le varie operazioni su e con il dispositivo, alle quali si fa riferimento separatamente nelle singole sezioni di questo manuale.

AUTORESPIRATORE - APPARECCHI DI RESPIRAZIONE AD ARIA COMPRESSA



Protezione contro gas nocivi, vapori, polveri e sostanze simili.
I dispositivi di protezione delle vie respiratorie (come gli apparecchi di respirazione ad aria compressa) devono essere utilizzati se non può essere garantito un contenuto di ossigeno superiore al 17% nell'aria ambiente e/o non può essere escluso un superamento dei limiti consentiti di sostanze nocive nell'aria ambiente. Gli autospiratori possono essere indossati solo da personale appositamente addestrato.

AUTORESPIRATORE - DIPENDENTE DA IMPIANTO RICIRCOLO ARIA



Protezione contro gas nocivi, vapori, polveri e sostanze simili.
I dispositivi di protezione delle vie respiratorie, dipendenti comunque da impianti di ricircolo dell'aria, devono essere utilizzati se non si può escludere un superamento dei valori limite consentiti di sostanze nocive nell'aria ambiente. Gli autospiratori possono essere utilizzati solo quando il contenuto di ossigeno nell'aria respirabile è garantito al di sopra del 17%.

OCCHIALI DI PROTEZIONE



Per proteggere gli occhi da parti volanti nell'aria e dagli schizzi di liquido.

GUANTI, RESISTENTI AI PRODOTTI CHIMICI



Protezione delle mani da sostanze aggressive.
Bisogna fare attenzione che i guanti siano ben sigillati.
Smaltire correttamente i guanti dopo l'uso.

GUANTI PROTETTIVI



Protezione delle mani contro le influenze meccaniche e le superfici calde e fredde.

INDOSSARE UNA PROTEZIONE AURICOLARE



Esso protegge l'udito dai rumori troppo forti e previene il trauma sonoro.

2.6. COMPORTAMENTO IN CASO DI INCENDIO E INCIDENTI

MISURE PREVENTIVE

- Bisogna essere preparati sempre al fuoco e agli incidenti!
- Tenere sempre a portata di mano i dispositivi di primo soccorso (cassetta di pronto soccorso, coperte, etc) ed estintori.
- Il personale deve familiarizzare con le strutture di segnalazione degli incidenti, di primo soccorso e di salvataggio.
- Mantenere le vie d'accesso libere per i veicoli d'emergenza.

AZIONE IN CASO DI INCENDIO E INCIDENTI

- Se non c'è pericolo per la propria salute, salvare le persone dalla zona di pericolo.
- Se necessario, avviare le misure di primo soccorso.
- Allertare i vigili del fuoco e/o i servizi di soccorso.
- In caso di incendio: Se non c'è pericolo per la propria salute, contrastare l'incendio con l'attrezzatura antincendio e continuare a farlo fino all'arrivo dei vigili del fuoco.
- Informare il responsabile del luogo di utilizzo.
- Vie d'accesso libere per i veicoli d'emergenza.
- Istruire il personale dei veicoli di soccorso.

2.7. PROTEZIONE AMBIENTALE



AVVISO!

- **Pericolo per l'ambiente a causa della manipolazione errata di sostanze pericolose per l'ambiente!**
- La manipolazione scorretta delle sostanze pericolose per l'ambiente, in particolare lo smaltimento scorretto, può causare notevoli danni all'ambiente.
- Osservare sempre le seguenti istruzioni per la manipolazione e lo smaltimento delle sostanze pericolose per l'ambiente!
- Se le sostanze pericolose per l'ambiente vengono accidentalmente rilasciate nell'ambiente, prendere immediatamente le misure appropriate. In caso di dubbio, informare l'autorità locale competente del danno e chiedere l'adozione di misure adeguate!

2.8. SEGNALETICA



AVVISO!

- **Pericolo se la segnaletica è illeggibile!**
- Con il tempo, gli adesivi e i cartelli possono sporcarsi o diventare irriconoscibili, in modo da rendere illeggibili i pericoli e le istruzioni operative necessarie. Questo crea un rischio di lesioni.
- Tutte le indicazioni di sicurezza, avvertenza e utilizzo sulla macchina devono essere tenute sempre in condizioni di perfetta leggibilità.
- Sostituire immediatamente i cartelli o gli adesivi danneggiati.

2.8.1. SEGNALI DI OBBLIGO

- Nessun segnale

2.8.2. SEGNALI DI DIVIETO

- Nessun segnale

2.8.3. SEGNALI DI AVVERTENZA - RISCHIO O PERICOLO



AVVERTIMENTO DI BOMBOLE
DI GAS



AVVERTIMENTO
DI BOMBOLE DI GAS
ESPLOSIVE IN ATMOSFERA

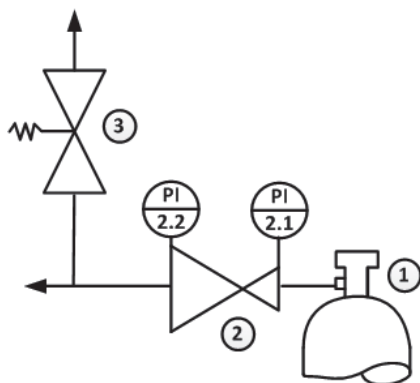


AVVISO DI SOSTANZE
TOSSICHE E/O CORROSIVE

3. DATI TECNICI

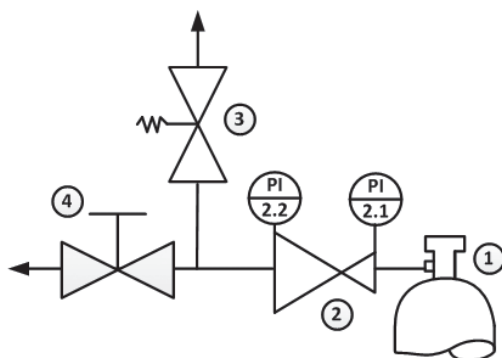
3.1. DIAGRAMMA DI FLUSSO - VERSIONE MONOSTADIO

C12HV/1



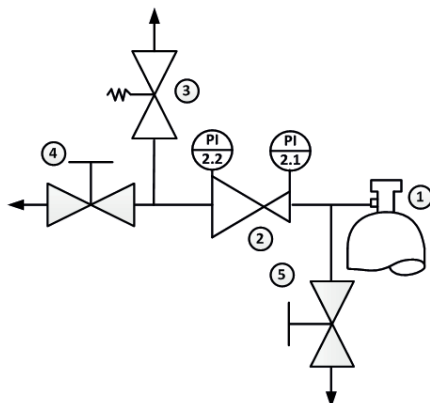
- 1 - BOMBOLA DEL GAS
- 2 - REGOLATORE DI PRESSIONE
- 3 - VALVOLA DI SCARICO

C12HV/1 A



- 1 - BOMBOLA DEL GAS
- 2 - REGOLATORE DI PRESSIONE
- 3 - VALVOLA DI SCARICO
- 4 - VALVOLA DI CHIUSURA

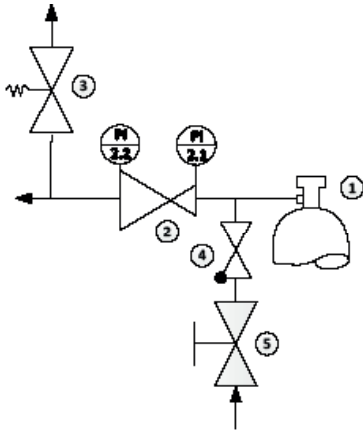
C12HV/1 B



- 1 - BOMBOLA DEL GAS
- 2 - REGOLATORE DI PRESSIONE
- 3 - VALVOLA DI SCARICO
- 4 - VALVOLA DI REGOLAZIONE
- 5 - VALVOLA DI SPURGO

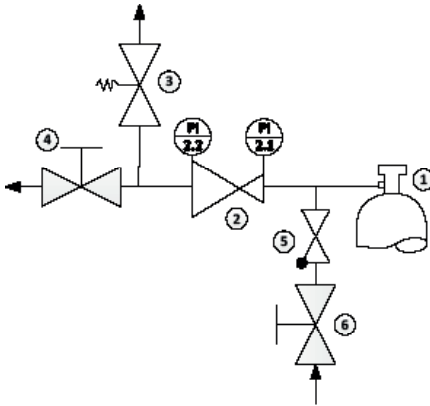
IT

C12HV/1 TP



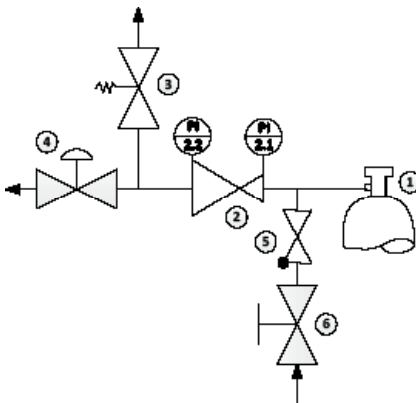
- 1 - BOMBOLA DEL GAS
- 2 - REGOLATORE DI PRESSIONE
- 3 - VALVOLA DI SCARICO
- 4 - VALVOLA ANTIRITORNO
- 5 - VALVOLA DI FLUSSAGGIO GAS ESTERNO

C12HV/ TPA



- 1 - BOMBOLA DEL GAS
- 2 - REGOLATORE DI PRESSIONE
- 3 - VALVOLA DI SCARICO
- 4 - VALVOLA DI INTERCETTAZIONE
- 5 - VALVOLA ANTIRITORNO
- 6 - VALVOLA DI FLUSSAGGIO GAS ESTERNO

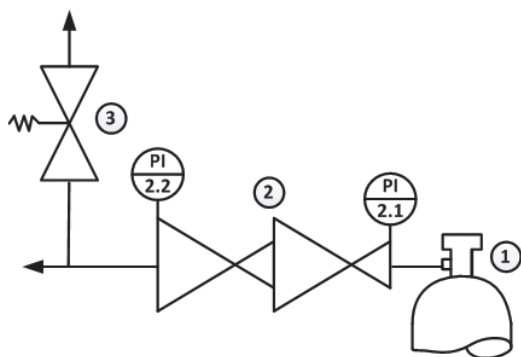
C12HV/ TPB



- 1 - BOMBOLA DEL GAS
- 2 - REGOLATORE DI PRESSIONE
- 3 - VALVOLA DI SCARICO
- 4 - VALVOLA DI REGOLAZIONE
- 5 - VALVOLA ANTIRITORNO
- 6 - VALVOLA DI FLUSSAGGIO GAS ESTERNO

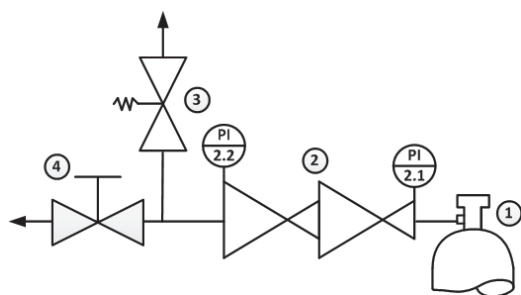
3.2. DIAGRAMMA DI FLUSSO - VERSIONE BISTADIO

C200HV/2



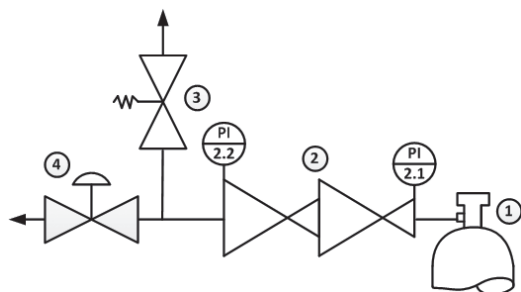
- 1 - BOMBOLA DEL GAS
- 2 - REGOLATORE DI PRESSIONE
- 3 - VALVOLA DI SCARICO

C200HV/2 A



- 1 - BOMBOLA DEL GAS
- 2 - REGOLATORE DI PRESSIONE
- 3 - VALVOLA DI SCARICO
- 4 - VALVOLA DI INTERCETTAZIONE

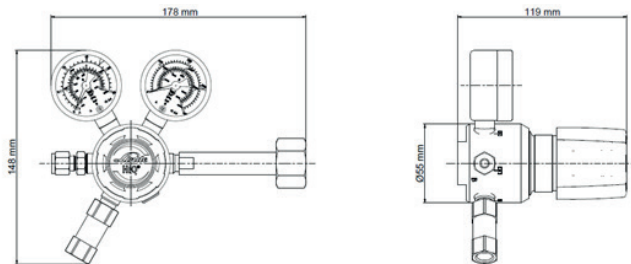
C200HV/2 B



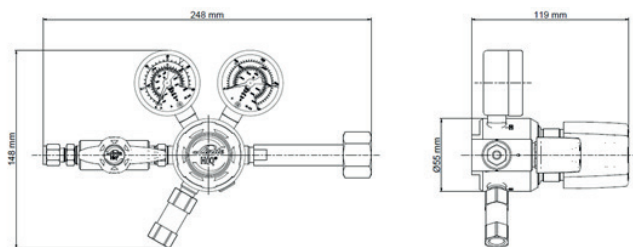
- 1 - BOMBOLA DEL GAS
- 2 - REGOLATORE DI PRESSIONE
- 3 - VALVOLA DI SCARICO
- 4 - VALVOLA DI REGOLAZIONE

IT

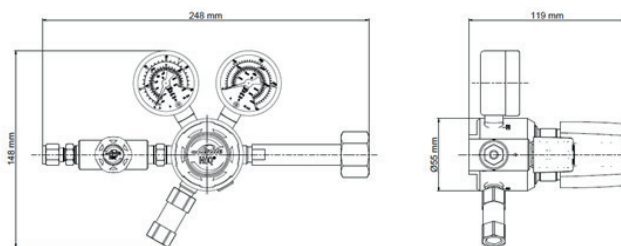
3.3. DISEGNO QUOTATO MONOSTADIO



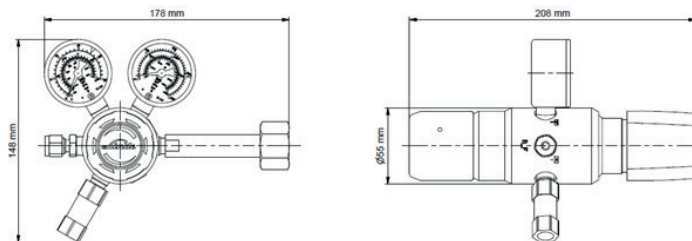
VERSIONE A | MONOSTADIO



VERSIONE B | MONOSTADIO

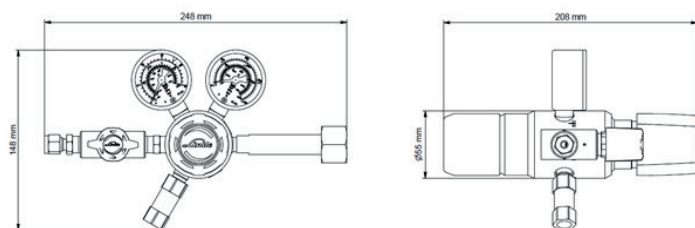


A DUE STADI

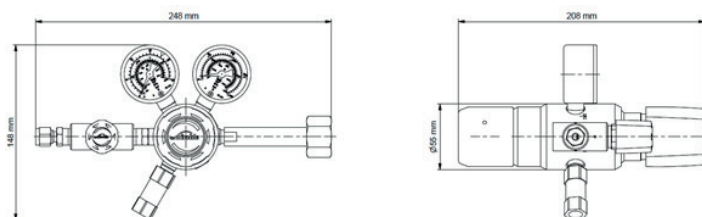


IT

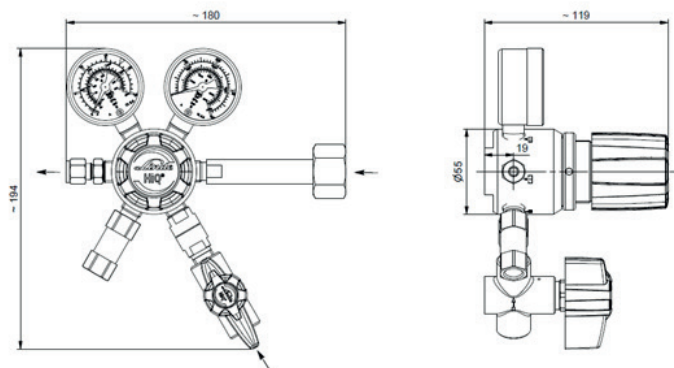
VERSIONE A | A DUE STADI



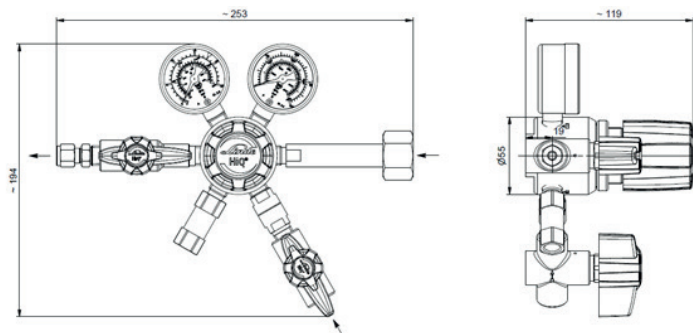
VERSIONE B | A DUE STADI



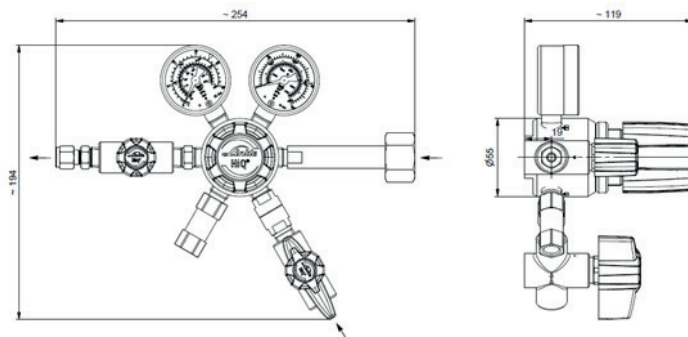
VERSIONE TP | MONOSTADIO



VERSIONE TPA | MONOSTADIO



VERSIONE TPB | MONOSTADIO



3.4. INFORMAZIONI GENERALI

Specifica	Specificazione Monostadio Ottone cromato	Bistadio ottone cromato	Monostadio Acciaio inox	Bistadio Acciaio inox
peso massimo [kg]	2,5	3,3	4,04	4,93
Larghezza [mm]	223	223	263	263
Larghezza [mm]	114	202	114	202
Altezza [mm]	168	168	168	168

3.5. VALORI DI COLLEGAMENTO

Information	Valore	Unità
Ingresso	DIN477 AFNOR BS CGA Etc.	Connessioni della bombola
Uscita	1/8", 1/4", 3/8", 1/2" 3, 6, 8, 10, 12 4,8; 6,4; 8,0	Anello di serraggio pollici Anello di serraggio mm Manicotto per tubo flessibile mm (max. 15 bar)
Valvola di sfianto	Anelli di serraggio da 1/4"	Di pollice

3.6. VALORI DI PRESTAZIONI

Information	Valore	Unità
Portata nominale (ISO 2503)	20 (Aria compressa)	m ³ /h
Pressione in ingresso(max.)	C12hv - 12 bar C200hv - 200 bar	bar
Pressione di uscita (max.)	200 (a seconda della pressione di ingresso)	bar

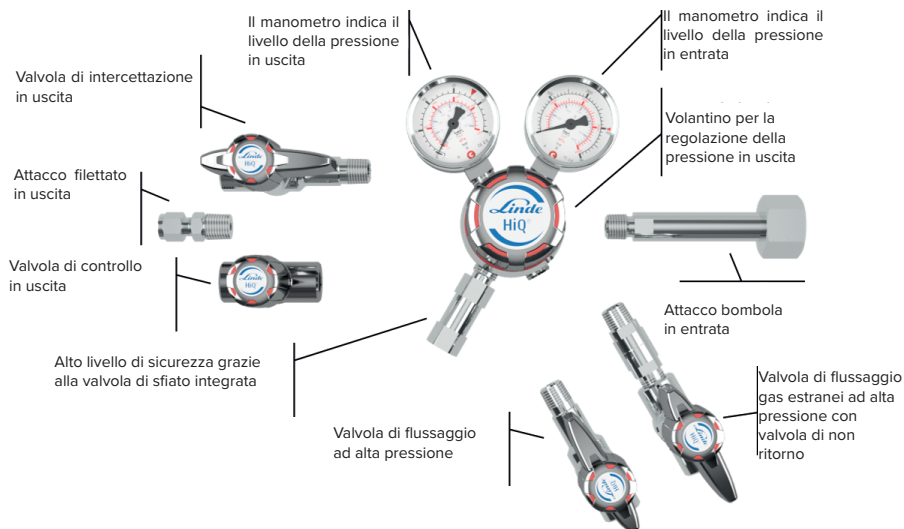
3.7. CONDIZIONI OPERATIVE DELL'AMBIENTE

Information	Valore	Unità
Intervallo di temperatura da	-20 fino a +60	°C
Umidità relativa (max.)	98	%

IT

4. STRUTTURA E FUNZIONE

4.1. VERSIONE CROMATA IN OTTONE



4.2. BREVE DESCRIZIONE

Il regolatore di pressione della bombola viene azionato manualmente tramite il volantino. La pressione di entrata e di uscita può essere letta rispettivamente dalla pressione di entrata e di uscita. Manometro in uscita. Diversi componenti aggiuntivi sono inclusi nella gestione:

- Valvola di intercettazione all'uscita per chiudere la pressione di uscita.
- Valvola di controllo all'uscita per controllare la pressione di uscita.
- Valvola di flusso del gas esterno con valvola di non ritorno per il flusso del lato alta pressione dell'ingresso.

5. TRASPORTO, L'IMBALLAGGIO E STOCCAGGIO

CONSIGLI E RACCOMANDAZIONI!

- L'installazione e la messa in funzione iniziale dovrebbero essere effettuate idealmente dai dipendenti del produttore o da persone autorizzate dal produttore.
- Ciononostante, può accadere che gli operatori o il personale di manutenzione dell'operatore siano incaricati della manipolazione dei pezzi nel corso dell'installazione e dell'ulteriore utilizzo. È essenziale seguire le istruzioni date qui sotto.

5.1. INDICAZIONI DI SICUREZZA PER IL TRASPORTO

INDICAZIONE!

- ***Danni a causa di trasporto errato!***
- In caso di trasporto improprio, i pezzi di trasporto possono cadere o rovesciarsi. In caso di trasporto errato si possono verificare ingenti danni materiali.
- Quando si scaricano i materiali da trasportare alla consegna e durante il trasporto interno, procedere con attenzione e osservare i simboli e le istruzioni sull'imballaggio.
- Utilizzare solo i punti di fissaggio forniti.
- Non rimuovere l'imballaggio fino a poco prima del montaggio.

5.2. ISPEZIONE DOPO IL TRASPORTO

Controllare la merce consegnata subito dopo la sua ricezione per vedere se è completa e se ha subito danni causati dal trasporto.

IN CASO DI DANNI DI TRASPORTO VISIBILI ESTERNAMENTE, PROCEDERE COME SEGUE:

- Non accettare la consegna o accettarla solo con riserva.
- Annotate l'entità del danno sui documenti di trasporto o sulla bolla di consegna del trasportatore.
- Sporgere un reclamo.



CONSIGLI E RACCOMANDAZIONI!

- Esporre qualsiasi difetto non appena viene rilevato. I reclami per danni possono essere fatti valere solo durante il periodo di garanzia.

5.3. IMBALLAGGIO

I singoli colli sono imballati secondo le condizioni di trasporto previste. Per l'imballaggio sono stati usati solo materiali ecologici. L'imballaggio ha lo scopo di proteggere i singoli componenti da danni di trasporto, corrosione e altri danni fino al montaggio. Pertanto, non distruggere l'imballaggio e rimuoverlo solo poco prima del montaggio.



INDICAZIONE!

- **Pericolo per l'ambiente a causa di uno smaltimento errato!**
- I materiali di imballaggio sono materie prime preziose e in molti casi possono essere riutilizzati o lavorati e riciclati in modo sensato. Lo smaltimento errato dei materiali di imballaggio può essere pericoloso per l'ambiente.
- Smaltire i materiali di imballaggio in modo ecologico.
- Osservare le norme di smaltimento applicabili a livello locale. Se necessario, affidare lo smaltimento a una ditta specializzata.

5.4. STOCCAGGIO

Conservare i colli alle seguenti condizioni:

- Non conservare all'aperto.
- Conservare in un luogo asciutto e senza polvere.
- Non esporre a mezzi aggressivi.
- Proteggere dalla luce del sole.
- Evitare le sollecitazioni meccaniche.
- Temperatura di stoccaggio: Da 15 a 35 °C.
- Umidità relativa: max. 60 %.
- Se il colle è conservato per più di 3 mesi, controllare regolarmente lo stato generale di tutte le parti e dell'imballaggio. Se necessario, o rinnovare il prodotto conservante protettivo.



CONSIGLI E RACCOMANDAZIONI!

- Ci possono essere istruzioni di conservazione sulle confezioni che vanno oltre i requisiti qui menzionati. Attenersi scrupolosamente ad esse.

6. INSTALLAZIONE E MESSA IN FUNZIONE INIZIALE

6.1. ISTRUZIONI DI SICUREZZA PER L'INSTALLAZIONE E PRIMA MESSA IN SERVIZIO

PERSONALE

L'installazione e la prima messa in servizio devono essere effettuati solo da personale qualificato.

6.2. PREPARAZIONI

DISIMBALLAGGIO

- I componenti devono essere disimballati con attenzione e prudenza.
- Rimuovere anche i materiali di imballaggio aggiuntivi.
- Ispezionare tutti i componenti per eventuali danni da trasporto

SCARICO

- Depressurizzare il gas in qualsiasi sistema esistente, se necessario flussare con gas inerte.
- Separare le tubazioni nell'impianto esistente con strumenti speciali, evitando la formazione di trucioli.
- Assicurarci che le parti di collegamento siano in perfette condizioni e pulite.

6.3. INSTALLAZIONE

Utilizzare solo riduttori di pressione con collegamento alla bombola secondo i vari gas e le direttive nazionali e internazionali (DIN477, CGA, AFNOR, ecc.)



PERICOLO!

- Le filettature della valvola della bombola e del dado di raccordo devono essere in perfetto stato.



AVVERTENZA!

- Usare sempre e solo guarnizioni nuove. Le guarnizioni non devono essere deformate e non devono presentare tracce di sporco o schegge di metallo.
- Non è permesso l'uso di più guarnizioni in un punto di tenuta. Le guarnizioni usate devono essere rimosse.



AVVERTENZA!

- Non usare una prolunga per fare leva sulla chiave, altrimenti la filettatura e la guarnizione possono essere distrutte.
- Questo può portare a perdite, fuoriuscite incontrollate di gas o alla completa fuoriuscita delle riserve di gas
- Le guarnizioni usate devono essere rimosse.



AVVERTENZA!

- Quando si collegano o si cambiano le bombole con gas tossici o corrosivi, si devono adottare misure di protezione personale appropriate (protezione delle vie respiratorie, protezione degli occhi e abbigliamento protettivo).
- Osservare i valori MAK (vedi Regole tecniche per le sostanze pericolose, TGRS 900), avere pronti i filtri di protezione respiratoria corretti. Usare solo regolatori di pressione della bombola con dispositivo di flussaggio.



PRUDENZA!

- Prima del collegamento, controllare la targhetta per assicurarsi che il raccordo sia adatto all'uso previsto.

6.3.1. PREPARAZIONE

Si possono utilizzare solo regolatori di pressione con attacchi alla bombola della rispettiva norma (DIN477, CGA, AFNOR, ecc.) corrispondente al tipo di gas utilizzato.

6.3.2. COLLEGAMENTO DELLA BOMBOLA DEL GAS

Inserire la guarnizione corrispondente al rispettivo attacco della bombola e al tipo di gas.

Per prima cosa, avvitare a mano il dado di raccordo sul collegamento della valvola sulla bombola.

Fate attenzione alla filettatura destrorsa o sinistrorsa!

Posizionare il regolatore di pressione - non inclinarlo!

Serrare il dado di raccordo con la chiave fissa appropriata. Non usare una prolunga per fare leva sulla chiave, altrimenti la filettatura e la guarnizione possono essere distrutte. Questo può portare a perdite e a una fuoriuscita incontrollata della fornitura di gas (perdita completa di gas!).

Per le connessioni di bombole con connessione manuale, stringere il dado del raccordo a mano.

Attenzione, non usare chiavi, altrimenti la superficie di contatto può essere distrutta.



Le linee di collegamento sono di solito montate con raccordi a compressione. Per prima cosa rimuovere i tappi dalle connessioni. Il montaggio si effettua inserendo completamente il tubo nel raccordo a pressare. Poi avvitare il dado di raccordo a mano e stringerlo con una chiave fissa (prima installazione 1/4 di giro per le tubazioni più grandi di 1/8 di pollice e 3/4 di giro per le tubazioni 1/8 di pollice o più piccole, per l'installazione successiva: 1/4 di giro per tutte le tubazioni). La linea di scarico è collegata alla valvola di scarico nello stesso modo.

Si prega di osservare le istruzioni del produttore e l'idoneità dei materiali per determinati gas e intervalli di pressione.

Il regolatore di pressione da bombola è disponibile con una pressione di uscita massima di 15 bar con un manicotto per tubo flessibile.

La forma conica del beccuccio facilita l'attacco del tubo.

Tipo TP, TPA, TPB, con valvola di flussaggio per gas esterni

Per i regolatori di pressione della bombola con valvola per gas esterni (TP, TPA, TPB), è necessario collegare un'ulteriore linea di collegamento per il gas esterno come descritto sopra.

6.4. PREREQUISITO PER LA PRIMA MESSA IN SERVIZIO

- Sono disponibili i referti di prova dei sistemi di tubazioni per quanto riguarda la tenuta, se richiesto, e anche l'umidità o le particelle.
- I tubi del gas di processo, i tubi del gas di sfiato e di spurgo, i tubi della valvola di sicurezza e della valvola di ritegno, se presenti, devono essere collegati
- Nella linea del gas di processo c'è solo gas standard. (vedi punto 1.2)
- La messa in funzione deve essere eseguita solo da personale qualificato e con debita formazione.
- Usare solo strumenti che non fanno scintille e tenerli pronti prima dell'installazione
- Gli indumenti protettivi devono essere indossati secondo le norme.
- Prima di utilizzare la bombola per la prima volta, controllare la targhetta per assicurarsi che il riduttore di pressione della bombola sia adatto all'uso previsto (gas, pressione, materiale, ecc.)
- Quando si utilizzano gas corrosivi, tossici e i riduttori di pressione della bombola in acciaio inossidabile versione TP, TPA, TPB, EP, EPA e/ o EPB un flussaggio con gas esterno deve essere effettuato prima della messa in servizio (vedi punto 6.5.2).

6.5. PRIMA MESSA IN SERVIZIO

- Tutti i requisiti sono stati soddisfatti secondo il punto 6.4.
- Il regolatore di pressione della bombola è depressurizzato (chiuso), cioè il volantino è girato completamente verso l'esterno (a sinistra)
- Se si utilizzano gas corrosivi e/o tossici e la versione in acciaio inox TP, TPA, TPB del regolatore di pressione della bombola, prima della prima messa in funzione deve essere effettuato un flussaggio con gas inerte (vedi punto 6.5.2).

IT



AVVERTENZA!

- È essenziale assicurarsi che il regolatore di pressione per bombole sia pressurizzato oltre la pressione di esercizio consentita.

6.5.1. RIEMPIRE IL TUBO DEL GAS DI PROCESSO CON IL GAS DI PROCESSO

Impostare la pressione di uscita desiderata girando lentamente il volantino del regolatore di pressione in senso orario. Il regolatore di pressione del cilindro è ora in funzione. Si raccomanda di controllare quotidianamente il regolatore di pressione e di verificare le pressioni

6.5.2. CAMBIO BOMBOLA

Se si utilizzano gas corrosivi e/o tossici e la versione in acciaio inox TP, TPA, TPB del regolatore di pressione della bombola, è necessario effettuare un flussaggio con gas inerte prima di cambiare la bombola (vedi punto 6.5.2).



INDICAZIONE!

Usare gas di flussaggio secco e pulito per il flussaggio con gas inerte. Raccomandiamo una purezza di gas che corrisponda all'applicazione.



AVVERTENZA!

- Quando si cambiano le bombole con gas tossici o corrosivi, si devono adottare misure di protezione personale appropriate (protezione delle vie respiratorie, protezione degli occhi e abbigliamento protettivo).
- Osservare i valori MAK (vedi Regole tecniche per le sostanze pericolose, TGRS 900), avere pronti i filtri di protezione respiratoria corretti.



PERICOLO!

- Se sono stati estratti gas tossici e/o corrosivi dalla bombola di gas pressurizzata, l'unità pressurizzata deve essere flussata con gas inerte (flussaggio dei gas esterni) prima di sostituire la bombola vuota. Questo assicura che il gas residuo nel sistema venga smaltito attraverso la linea di scarico di flussaggio.

PREPARAZIONE

1. Chiudere bene la valvola della bombola del gas
2. Svuotare completamente il regolatore di pressione, le lancette dei manometri di ingresso e di uscita devono essere entrambi a "0"
3. Girare il volantino del regolatore di pressione in senso antiorario fino all'arresto, regolatore di pressione chiuso
4. Chiudere la valvola di chiusura o di controllo dello scarico, se presente
5. Per le versioni P, TP, TPA, TPB, eseguire prima il processo di flussaggio o depressurizzazione PROCEDURA Di flussaggio Processo di flussaggio per i regolatori di pressione delle bombole con valvola di flussaggio dei gas esterni sul lato alta pressione (TP, TPA, TPB)

FLUSSAGGIO ESTERNO DEL GAS

Processo di flussaggio per regolatori di pressione della bombola con valvola di flussaggio di gas esterno sul lato alta pressione (TP, TPA, TPB)

A Controllare che l'entrata del gas di flussaggio e l'uscita del gas di processo siano collegate correttamente.

B Chiudere tutte le valvole

C Chiudere il regolatore di pressione girando il volantino in senso antiorario.

D Aprire la valvola di flussaggio del gas esterno

E Chiudere la valvola di flussaggio del gas esterno

F Aprire brevemente il regolatore di pressione e la valvola di chiusura o di controllo dell'uscita e permetta al gas di flussaggio di uscire attraverso l'uscita del regolatore di pressione della bombola.

G Chiudere il regolatore di pressione della bombola e la valvola di chiusura dell'uscita o di controllo dell'uscita.

Ripetere i passi D – G dieci volte per un perfetto risultato di flussaggio.

6. Allentare il dado di raccordo della bombola del gas con una chiave. Per un collegamento alla bombola con collegamento manuale, allentare il dado del raccordo a mano.
7. Collegare le nuove bombole come descritto sopra (punto 6.3.1).

SPURGO GAS ESTERNO

Processo di flussaggio per i riduttori di pressione del cilindro con triplo blocco di flussaggio (EP, EPA, EPB)

A Controllare che l'ingresso del gas di flussaggio, l'uscita del gas di flussaggio e l'ingresso del gas di processo siano collegati correttamente.

B Chiudere tutte le valvole. Le valvole del triplo blocco di flussaggio devono essere ad angolo retto rispetto al tubo. La marcatura rossa è visibile sulle altre valvole (4 porte).

C Chiudere il regolatore di pressione girando il volantino in senso antiorario.

D Aprire la valvola di flussaggio del gas esterno in entrata.

E Chiudere di nuovo la valvola di flussaggio del gas esterno in entrata. Lasciare che il gas iniettato rimanga nel blocco di flussaggio per alcuni secondi.

F Aprire brevemente la valvola di flussaggio del gas in uscita e lasciare uscire il gas di flussaggio.

G Chiudere nuovamente la valvola di flussaggio del gas in uscita.

Ripetere le fasi D - G dieci volte per un perfetto risultato di flussaggio.

6.5.3. MESSA FUORI SERVIZIO

Se si utilizzano gas corrosivi e/o tossici e la versione in acciaio inox **TP, TPA, TPB** del regolatore di pressione della bombola, è necessario effettuare prima della messa fuori servizio un flussaggio con gas inerte prima di cambiare la bombola (vedi punto 6.5.2).



PRUDENZA!

- Osservare generalmente quanto segue durante lo smontaggio: Depressurizzare il regolatore di pressione e le linee scaricando il gas attraverso l'utenza; i puntatori dei manometri a monte e a valle devono essere completamente a "0".
 - In caso di gas corrosivi o tossici, flussare tutti i componenti con gas inerte.
 - Misure adeguate di protezione individuale (protezione delle vie respiratorie, protezione degli occhi e abbigliamento protettivo).
 - Osservare i valori MAK (vedi Regole tecniche per le sostanze pericolose, TGRS 900), avere pronti i filtri di protezione respiratoria corretti.
1. Chiudere bene la valvola della bombola del gas
 2. Svuotare completamente il regolatore di pressione, le lancette dei manometri di ingresso e di uscita devono essere entrambi a "0"
 3. Girare il volantino del regolatore di pressione in senso antiorario fino all'arresto, regolatore di pressione chiuso
 4. Chiudere la valvola di chiusura o di controllo dello scarico, se presente
 5. Per le versioni **P, DP, TP, TPA, TPB, EP, EPA e/ o EPB** effettuare prima il flussaggio o lo scarico (vedi punto 6.5.2)
- Chiudere il regolatore di pressione della bombola girando il volantino del regolatore di pressione in senso antiorario.
 - Far scaricare la condotta!
 - Il regolatore di pressione della bombola è ora fuori servizio. I lavori di riparazione e manutenzione possono ora essere eseguiti.

6.6. CONTROLLI

- Dopo la pressurizzazione, controllare il funzionamento del regolatore di pressione.
- Controllare la tenuta della valvola di scarico.

7. FUNZIONAMENTO

Secondo il capitolo 2.1, il funzionamento del regolatore di pressione della bombola è definito per i gas stand-

IT



PRUDENZA!

- Le valvole manuali devono sempre essere aperte lentamente e con attenzione per evitare sbalzi di pressione nel sistema e per proteggere altri componenti.

Per una breve interruzione dell'estrazione del gas, è sufficiente chiudere la valvola di chiusura o di controllo del regolatore. Per interruzioni più lunghe, il regolatore deve essere depressurizzato girando il volantino in senso antiorario. Per motivi di sicurezza, chiudere la valvola della bombola.

8. MANUTENZIONE

8.1. ISTRUZIONI DI SICUREZZA PER LA MANUTENZIONE



INDICAZIONE!

- I lavori di manutenzione devono essere eseguiti solo da personale qualificato, addestrato e autorizzato. (vedere il capitolo 2.4).

8.2. PROGRAMMA DI MANUTENZIONE

Le seguenti sezioni descrivono le operazioni di manutenzione necessarie per un funzionamento ottimale e senza problemi del dispositivo.

Se le ispezioni regolari mostrano una maggiore usura, accorciare gli intervalli di manutenzione richiesti in base ai segni reali di usura.



INDICAZIONE!

- Per qualsiasi domanda sulla manutenzione e gli intervalli di servizio, contattare il servizio clienti.

Intervallo	Lavori di manutenzione	Personale
Settimanale	Controllo visivo di tutti i componenti	Persona competente (TRBS 1203)
Una volta all'anno	Effettuare i test di funzionamento e di tenuta, ispezione di tutte le parti rilevanti per la sicurezza	Persona competente (TRBS 1203)
Ogni 10 anni	Revisione generale e sostituzione di tutte le parti di usura	Persona competente (TRBS 1203)

8.3. LAVORI DI MANUTENZIONE

8.3.1. PULIZIA



INDICAZIONE!

- I detersivi devono essere compatibili con i materiali con cui entrano in contatto.

8.3.2. PREREQUISITO PER LA MANUTENZIONE

PRIMA DI INIZIARE LA MANUTENZIONE, VERIFICARE CHE

- L'alimentazione del gas sia garantita in modo continuo.
- La stazione di decompressione è depressurizzata.
- Il regolatore di pressione è depressurizzato.
- La valvola è chiusa.
- Non c'è più gas di processo nel sistema.
- Il sistema è stato flussato con un gas inerte.

8.3.3. MANUTENZIONE STRAORDINARIA DI EMERGENZA

- Controllo della precisione del valore di visualizzazione per gli indicatori di pressione.
- Stazione di scarico della pressione, regolatore di pressione, valvole e indicatori di pressione: Controllare la funzione, lo stato e l'etichettatura.
- Controllo dell'etichettatura.
- Controllo di corrosione.
- Controllo della funzione.
- Effettuare una prova di tenuta con una pressione d'esercizio di 1 volta per 12 ore.
- I componenti usurati e difettosi devono essere sostituiti immediatamente; questo lavoro deve essere sempre eseguito da una ditta specializzata autorizzata.
- Le valvole sono state progettate in conformità alla norma ISO 10297. Questo include una prova di tipo in cui la valvola è stata sottoposta a una prova di vita fino a 2000 cicli. Dopo 2000 cicli, sostituire le parti interne che entrano in contatto con il mezzo; questo lavoro deve essere sempre eseguito da una ditta specializzata autorizzata.

- Se si riscontrano perdite o eccessiva corrosione nelle stazioni di scarico della pressione/regolatori di pressione o valvole, anche queste devono essere sostituite completamente tra il prossimo collegamento smontabile possibile da una ditta specializzata autorizzata.
- Dopo aver cambiato componenti o gruppi di tubazioni, i test di pressione devono essere effettuati nuovamente e registrati.

8.4. DOPO CHE LA MANUTENZIONE È STATA COMPLETATA

ESEGUIRE LESEGUENTI OPERAZIONI PRIMA DI RIAVVIARE LA STAZIONE DI DECOMPRESSIONE, IL REGOLATORE DI PRESSIONE O LA VALVOLA:

1. Accertarsi che tutti gli utensili, i materiali e gli altri dispositivi usati siano stati rimossi dalla zona di lavoro.
2. Pulire l'area di lavoro e rimuovere le sostanze che possono essere fuoriuscite, ad esempio liquidi, materiale di lavorazione o simili.
3. Assicurarsi che tutti i dispositivi di sicurezza del sistema funzionino correttamente.

9. GUASTI

Il seguente capitolo descrive le possibili cause dei guasti e il lavoro da fare per eliminarli. Se i guasti sono più frequenti, gli intervalli di manutenzione devono essere accorciati in base al carico effettivo. In caso di guasti che non possono essere risolti dalle seguenti istruzioni, contattare il produttore.

9.1. ISTRUZIONI DI SICUREZZA PER LA RISOLUZIONE DEI GUASTI

In caso di guasto, interrompere sempre l'alimentazione del gas, scaricare il regolatore di pressione e chiudere le valvole. Non eseguire mai lavori di manutenzione su componenti sotto pressione.

COMPORAMENTO IN CASO DI GUASTI:

1. Scollegare e fissare l'alimentazione del gas.
2. Rilasciare il regolatore di pressione, chiudere le valvole.
3. Solo il personale qualificato può rimuovere i guasti.
4. Ripristinare lo stato iniziale del dispositivo.

Descrizione	Causa	Soluzione	Valvole	Regolatore di pressione della bombola	Regolatore di pressione di linea	Stazioni di decompressione
Nessun flusso (il manometro d'ingresso mostra la pressione, quello d'uscita no)	Regolatore di pressione chiuso	Aprire lentamente il regolatore di pressione Chiudere la valvola di scarico		☑	☑	☑
Nessun flusso (entrambi i manometri mostrano zero)	Valvola della bombola chiusa Valvola del gas di servizio chiusa Regolatore di pressione chiuso serpentina/tubo non collegato	Messa in servizio secondo il punto 6. Installazione e prima messa in servizio		☑	☑	☑
Nessun flusso	Regolatore di pressione chiuso	Aprire lentamente il regolatore di pressione	☑			

Descrizione	Causa	Soluzione	Valvole	Regolatore di pressione della bombola	Regolatore di pressione di linea	Stazioni di decompressione
Aumento della pressione secondaria e apertura della valvola di scarico	Perdita nella sede del regolatore di pressione	Riparazione da parte del produttore		<input checked="" type="checkbox"/>	<input checked="" type="checkbox"/>	<input checked="" type="checkbox"/>
Leggero aumento della pressione secondaria e la valvola di scarico non si apre	Caduta di pressione in ingresso	Nessun errore, stato di funzionamento normale		<input checked="" type="checkbox"/>	<input checked="" type="checkbox"/>	<input checked="" type="checkbox"/>
Leggero aumento della pressione secondaria	Differenza tra pressione di flusso (con flusso) e pressione dinamica (senza flusso)	Nessun errore, stato di funzionamento normale		<input checked="" type="checkbox"/>	<input checked="" type="checkbox"/>	<input checked="" type="checkbox"/>
Leggera caduta di pressione secondaria	Differenza tra pressione dinamica (senza flusso) e pressione di flusso (con flusso)	Nessun errore, stato di funzionamento normale		<input checked="" type="checkbox"/>	<input checked="" type="checkbox"/>	<input checked="" type="checkbox"/>
Forte caduta di pressione secondaria	Flusso richiesto per il regolatore di pressione troppo alto	Selezione di un nuovo regolatore di pressione per la pressione e la portata richieste		<input checked="" type="checkbox"/>	<input checked="" type="checkbox"/>	<input checked="" type="checkbox"/>
Forte caduta di pressione secondaria	Linea del gas di processo che perde	Controllare la linea del gas di processo		<input checked="" type="checkbox"/>	<input checked="" type="checkbox"/>	<input checked="" type="checkbox"/>
Pressione di uscita troppo alta	Impostazione errata del regolatore	Regolatore di pressione adattamento, regolazione, manutenzione		<input checked="" type="checkbox"/>	<input checked="" type="checkbox"/>	<input checked="" type="checkbox"/>

Descrizione	Causa	Soluzione	Valvole	Regolatore di pressione della bombola	Regolatore di pressione di linea	Stazioni di decompressione
La pressione secondaria sale immediatamente fino all'arresto o la pressione secondaria sale lentamente oltre il valore impostato e la valvola di scarico salta	Sporczia o danni alla sede del "punto di aumento".	Riparazione da parte del produttore		<input checked="" type="checkbox"/>	<input checked="" type="checkbox"/>	<input checked="" type="checkbox"/>
Rumori durante il funzionamento	Flusso richiesto per il regolatore di pressione troppo alto	Selezione di un nuovo regolatore di pressione per la pressione e la portata richieste		<input checked="" type="checkbox"/>	<input checked="" type="checkbox"/>	<input checked="" type="checkbox"/>
Nessun cambiamento nel controllo della valvola nonostante la rotazione del volantino	Volantino difettoso a causa di una coppia eccessiva, alberino difettoso, filettatura difettosa	Riparazione da parte del produttore	<input checked="" type="checkbox"/>	<input checked="" type="checkbox"/>	<input checked="" type="checkbox"/>	<input checked="" type="checkbox"/>
Umidità sul regolatore di pressione (NON ci deve essere: rugiada, pioggia o neve)	Il regolatore di pressione sottrae energia dall'ambiente attraverso l'espansione del gas	Nessun errore Stato di funzionamento normale		<input checked="" type="checkbox"/>	<input checked="" type="checkbox"/>	<input checked="" type="checkbox"/>
Formazione di ghiaccio sul regolatore di pressione (NON rugiada, pioggia o neve)	Il regolatore di pressione sottrae energia all'ambiente attraverso la decompressione del gas, capacità di erogazione limitata dei contenitori di gas pressurizzati, ad esempio con N ₂ O, CO ₂	Nessun errore Stato di funzionamento normale ATTENZIONE: prestare attenzione alla funzionalità dei manometri a contatto, aumentare il numero di recipienti di gas in pressione		<input checked="" type="checkbox"/>	<input checked="" type="checkbox"/>	<input checked="" type="checkbox"/>

La presente tabella non ha pretese di esaustività. In caso di domande o incertezze, contattare il produttore.

IT

10. SMONTAGGIO E SMALTIMENTO

Una volta raggiunta la fine dell'uso del dispositivo, esso deve essere smontato e smaltito nel rispetto dell'ambiente.

10.1. STRUZIONI DI SICUREZZA PER LO SMONTAGGIO E LO SMALTIMENTO



ATTENZIONE!

- **Rischio di lesioni in caso di smontaggio improprio!**
- Energie residue immagazzinate, componenti acuminati, punte e spigoli sul dispositivo o sugli attrezzi necessari possono causare ferite.
- Assicurarsi che ci sia spazio sufficiente prima di iniziare il lavoro.
- Maneggiare con cura i componenti aperti con bordi taglienti.
- Prestare attenzione a mantenere sempre ordine e pulizia sul luogo di lavoro!
- I componenti o gli utensili sfusi posizionati in giro sono fonte di pericolo.
- Smontare correttamente i componenti. Si noti il peso parzialmente elevato dei componenti. Usare attrezzi di sollevamento se necessario.
- Fissare i componenti in modo che non cadano o si rovescino.
- In caso di incertezza, consultare il produttore.

10.2. SMONTAGGIO

PRIMA DELLO SMONTAGGIO

Chiudere il regolatore di pressione delle bombole ruotando il volantino in senso antiorario.

Depressurizzare il regolatore di pressione della bombola e assicurarsi che non ci sia più gas di processo all'interno.

Depressurizzare il sistema e, se necessario, flussarlo con un gas inerte.

Rimuovere i materiali operativi e ausiliari e i materiali di lavorazione residui e smaltirli in modo ecologico.

Quindi pulire adeguatamente gli assemblaggi e i componenti e smontarli in conformità con le norme locali applicabili in materia di salute e sicurezza sul lavoro e protezione dell'ambiente.



AVVERTENZA!

- **Non aprire il sistema se c'è ancora gas tossico e/o corrosivo!**

10.3. SMALTIMENTO

A meno che non sia stato stipulato un accordo di ritiro o smaltimento, i componenti smontati devono essere riciclati:

Rottamare i metalli.

Portare la plastica presso un centro di riciclaggio.

Smaltire i componenti rimanenti ordinati secondo la composizione del materiale.

In conformità con l'articolo 33 del regolamento REACH, GCE, s.r.o., in qualità di produttore responsabile, si impegna a informare tutti i clienti se i materiali contengono lo 0,1% o più delle sostanze estremamente problematiche (SVHC) della lista.

Le leghe di ottone più comunemente usate per i corpi e altri componenti di ottone contengono il 2-3% di piombo (Pb), EC No. 231-468-6, CAS No. 7439-92-1. Il piombo non viene rilasciato nel gas o nell'ambiente durante il normale utilizzo. Alla fine della sua vita, il prodotto deve essere smaltito da un'azienda di riciclaggio dei metalli approvata per garantire uno smaltimento efficace del materiale con un impatto minimo sull'ambiente e sulla salute.

Ad oggi, non abbiamo informazioni che indichino che materiali con concentrazioni di SVHC superiori allo 0,1% siano contenuti nei prodotti GCE.



INDICAZIONE!

- **Pericolo per l'ambiente a causa di uno smaltimento errato!**
- Uno smaltimento scorretto può causare pericoli per l'ambiente.
- Far smaltire i rifiuti elettrici, i componenti elettronici, i lubrificanti e altri materiali ausiliari da aziende specializzate approvate.
- In caso di dubbio, ottenere informazioni sullo smaltimento ecocompatibile dall'autorità municipale locale o da società di gestione dei rifiuti speciali.

www.linde.com

Questi articoli sono stati prodotti per conto di Linde.

INNHold

1. GENERELT	366
1.1. INFORMASJON OM DENNE ANVISNINGEN	366
1.2. INFORMASJON OM FLASKETRYKKREGULATOREN	366
1.3. SYMBOLFORKLARING	367
1.4. ANSVARSBEGRÆNSNING	368
1.5. OPPHAVSRETTSBESKYTTELSE	368
1.6. RESERVEDELER	368
1.7. GARANTIBESTEMMELSER	368
1.8. KUNDESERVICE	368
2. SIKKERHET	369
2.1. TILTENKT BRUK	369
2.1.1. KONSTRUKSJONSENDRINGER PÅ FLASKETRYKKREGULATOR	369
2.2. PRINSIPIELLE RISIKOER	369
2.3. OPERATØRENS ANSVAR	370
2.4. KRAV TIL PERSONALET	371
2.4.1. KVALIFIKASJONER	371
2.4.2. UAUTORISERTE PERSONER	371
2.4.3. OPPLÆRING	371
2.5. PERSONLIG VERNEUTSTYR	372
2.6. TILTAK VED BRANNUTBRUDD OG ULYKKER	372
2.7. MILJØVERN	373
2.8. SKILT	373
2.8.1. PÅBUDSTEGN	373
2.8.2. FORBUDSTEGN	373
2.8.3. VARSELSKILT	373
3. TEKNISKE DATA	374
3.1. FLYTSKJEMA – ETTRINNS VERSJON	374
3.2. FLYTSKJEMA – TOTRINNS VERSJON	376
3.3. MÅLEARK	377
3.4. GENERELLE OPPLYSNINGER	379
3.5. TILKOBLINGSVERDIER	379
3.6. YTELSESVÆRDIER	379
3.7. DRIFTSBETINGELSER OMGIVELSE	379
4. KONSTRUKSJON OG FUNKSJON	380
4.1. FORKROMMET MESSING VERSJON	380
4.2. KORT BESKRIVELSE	380
5. TRANSPORT, EMBALLASJE OG LAGRING	380
5.1. SIKKERHETSHENVISNINGER FOR TRANSPORT	380
5.2. TRANSPORT INSPEKSJON	380
5.3. EMBALLASJE	381
5.4. LAGRING	381
6. INSTALLASJON OG FØRSTE IDRIFTSETTELSE	381
6.1. SIKKERHETSHENVISNINGER FOR INSTALLASJONEN OG FØRSTE IDRIFTSETTELSE	381
6.2. FORBEREDELSE	381
6.3. INSTALLASJON	381
6.3.1. FORBEREDELSE	382
6.3.2. TILKOBLING AV GASSFLASKE	382
6.4. FORUTSETNING FOR FØRSTE IDRIFTSETTELSE	383
6.5. FØRSTE IDRIFTSETTELSE	383
6.5.1. FYLLE PROSESSGASSLEDNINGEN MED PROSESSGASS	383
6.5.2. BYTTE AV FLASKER	383
6.5.3. SETTE UT AV DRIFT	384
6.6. KONTROLLER	384
7. DRIFT	384

8. VEDLIKEHOLD	385
8.1. SIKKERHETSHENVISNINGER FOR VEDLIKEHOLDET	385
8.2. VEDLIKEHOLDSPLAN.....	385
8.3. VEDLIKEHOLDSARBEID.....	385
8.3.1. RENGJØRING	385
8.3.2. FORUTSETNING FOR VEDLIKEHOLD	385
8.3.3. NØDVENDIG VEDLIKEHOLDSYTELSE.....	385
8.4. TILTAK ETTER VELLYKKET VEDLIKEHOLD	386
9. FEIL	386
9.1. SIKKERHETSHENVISNINGER FOR RETTING AV FEIL	386
10. DEMONTERING OG AVHENDING	388
10.1. SIKKERHETSHENVISNINGER FOR DEMONTERING OG AVHENDING	388
10.2. DEMONTERING	389
10.3. DEPONERING.....	389

1. GENERELT

1.1. INFORMASJON OM DENNE ANVISNINGEN

Denne anvisningen gjelder følgende- ett- og totrinns flasketrykkregulator type:

- C12hv
- C200hv

Flasketrykkregulatorer kobles direkte til gassflaskens tilkobling for reduksjon av flasketrykket til et ønsket lavere utgangstrykknivå. Flasketilkoblingene har forskjellige gjenger som tilsvarer gasstypen i henhold til aktuell standard (DIN 477, CGA, AFNOR, etc.). Vennligst vær oppmerksom på det.

Denne anvisningen muliggjør en sikker

og effektiv bruk av flasketrykkregulatoren.

Denne anvisningen er en del av enheten, må oppbevares i umiddelbar nærhet av enheten og må til enhver tid være tilgjengelig for personalet. Personalet må ha lest denne anvisningen nøye og forstått den før start av alt arbeid. Den grunnleggende forutsetningen for sikkert arbeid er overholdelsen av alle spesifiserte sikkerhets henvisninger og håndteringsanvisninger i denne bruksanvisningen. I tillegg gjelder lokale forskrifter for forebygging av ulykker og generelle sikkerhetsforskrifter for bruksområdet for enheten. Illustrasjonene i disse anvisningene gjelder den grunnleggende forståelsen og kan avvike fra den faktiske utførelsen.

1.2. INFORMASJON OM FLASKETRYKKREGULATOREN

Denne type flasketrykkregulatorer kan kun brukes med den gassen som er definert som standard gass.

Det maksimale inngangstrykket for C12hv er 12 bar og for C200hv 200 bar.

Produktfamilie	(renhet 6.0 forkrommet messing)	(renhet 6.0 rustfritt stål)
Med FKM tetning i ventilsetet på utblåsningsventilen	<ul style="list-style-type: none"> • Gasser som kan brukes (inkludert deres blandinger): <ul style="list-style-type: none"> • High Purity • Inert • Brennbare • Oksiderende gasser • O₂ • Gasser som IKKE kan brukes (inkludert deres blandinger): <ul style="list-style-type: none"> • Etsende • Giftige • CO₂, N₂O 	<ul style="list-style-type: none"> • Gasser som kan brukes (inkludert deres blandinger): <ul style="list-style-type: none"> • High Purity • Inert • Brennbare • Oksiderende (opptil 200 bar) <ul style="list-style-type: none"> • Etsende (ta kontakt hvis noe er uklart) <ul style="list-style-type: none"> • Giftige (ta kontakt hvis noe er uklart) <ul style="list-style-type: none"> • Kan brukes til O₂ opp til 200 bar • Gasser som IKKE kan brukes (inkludert deres blandinger): <ul style="list-style-type: none"> • O₂ over 200 bar • CO₂, N₂O • NH₃, SO₂, H₂S

with EPDM Relief Valve Seat	<ul style="list-style-type: none"> • Gasser som kan brukes (inkludert deres blandinger): <ul style="list-style-type: none"> • High Purity • Inert • Brennbare • Oksiderende gasser • CO₂, N₂O • Gasser som IKKE kan brukes (inkludert deres blandinger): <ul style="list-style-type: none"> • Etsende • Giftige • O₂ (andel større enn 21%) • Hydrokarboner 	<ul style="list-style-type: none"> • Gasser som kan brukes (inkludert deres blandinger): <ul style="list-style-type: none"> • High Purity • Inert • Brennbare • Oksiderende gasser • Etsende (ta kontakt hvis noe er uklart) <ul style="list-style-type: none"> • Giftige (ta kontakt hvis noe er uklart) <ul style="list-style-type: none"> • CO₂, N₂O • NH₃, SO₂, H₂S • Gasser som IKKE kan brukes (inkludert deres blandinger): <ul style="list-style-type: none"> • O₂ (andel større enn 21%) • Hydrokarboner
-----------------------------	---	---




Denne tabellen gjør ikke krav på å være fullstendig. Ved spørsmål og uklarheter må du ta kontakt med produsenten.

En- eller totrinns flasketrykkregulator med metallmembran i 6-veis utførelse. Produsert og godkjent iht. NS-EN ISO7291 inkludert oksygen-forbrenningstest (se tabell avsnitt 1.2). Flasketrykkregulatoren består av trykkregulatororkropp, inngangs- og utgangsmanometer, flasketilkobling samt en utblåsningsventil. Den er tilgjengelig med diverse tilkoblings-forskringer og/eller med diverse **ekstrakomponenter som f.eks.**

- Stengeventil på utgangen (A)
 - Reguleringsventil på utgangen (B)
 - Ekstern spyleventil på inngang (TP).
 - Ekstern spyleventil på inngangen og stengeventil på utgangen (TPA), kun i utførelsen i rustfritt stål.
 - Ekstern spyleventil på inngangen og reguleringsventil på utgangen (TPB), kun i utførelsen i rustfritt stål.
- Utførelsene **C200/1 TPA, C200/1 TPA, C200/1 TPB, C200/2 TP, C200/2 TPA og C200/2 TPB** tillater spyling av trykkregulatoren med ekstern gass. De er derfor spesielt egnet til etsende og giftige gasser.

Flasketrykkregulatorer med spylingsalternativer tillater at armaturen kan tørkes eller fuktig atmosfærisk luft kan fjernes, som kan ha trengt inn i trykkregulatoren før idriftsettelse eller når flasken ble byttet, og å skylle armaturen fri for giftige, etsende eller selvantennelige gasser før den settes ut av drift.

1.3. SYMBOLFORKLARING

SIKKERHETS- HENVISNINGER	Sikkerhetshenvisningene er i denne anvisningen merket med symboler. Sikkerhetshenvisningene innledes med signalord som uttrykker omfanget av risikoen.
	FARE! Denne kombinasjonen av symbol og signalord viser til en umiddelbar farlig situasjon som fører til dødsfall eller alvorlige personskader hvis den ikke unngås.
	ADVARSEL! Denne kombinasjonen av symbol og signalord viser til en mulig farlig situasjon som kan føre til dødsfall eller alvorlige personskader hvis den ikke unngås.
	FORSIKTIG! Denne kombinasjonen av symbol og signalord viser til en mulig farlig situasjon som kan føre til små eller lettere personskader hvis den ikke unngås.
	HENVISNING! Denne kombinasjonen av symbol og signalord viser til en mulig farlig situasjon som kan føre til materielle skader og miljøskader og hvis den ikke unngås.

NO



TIPS OG ANBEFALINGER

Dette symbolet fremhever nyttige tips og anbefalinger samt informasjon om en effektiv og feilfri drift.

SPESIELLE ANVISNINGER

For å gjøre deg oppmerksom på spesielle farer brukes følgende symboler i sikkerhetshenvisningene.



FARE!

Denne kombinasjonen av symbol og signalord viser til en umiddelbar farlig situasjon på grunn av elektrisk strøm. Det kan føre til livsfare eller alvorlige personskader hvis denne merkingen ikke tas hensyn til.

1.4. ANSVARSBEGRENSNING

Alle opplysningene og henvisningene i denne anvisningen er utarbeidet ved å ta hensyn til gjeldende standarder og forskrifter, den nyeste teknikken og vår mangeårige kunnskap og erfaring.

I følgende tilfeller overtar produsenten intet ansvar for skader:

- Ved ikke å ta hensyn denne anvisningen
- Ved ikke tiltenkt bruk
- Bruk av ikke opplært personale
- Egenrådige tekniske og konstruksjonsmessige endringer
- Bruk av ikke tillatte reservedeler
- Drift av trykksatte enheter med defekte sikkerhetsanordninger eller feilmonterte eller ikke-funksjonerende sikkerhets- og beskyttelsesanordninger
- Utilstrekkelig overvåking av utstyr, forskruinger og tetningsdeler som er utsatt for slitasje
- Feil utførte reparasjoner
- Overskridelse eller underskridelser av temperaturområdet, under drift eller under lagring, som er angitt i databladet
- Katastrofer forårsaket av virkninger av fremmedlegemer og force majeure

Det faktiske leveringsomfanget kan avvike fra forklaringene og illustrasjonene som er beskrevet her når det gjelder spesialdesign, bruk av tilleggsordrer eller de siste tekniske endringene. Forpliktelsene som er avtalt i leveringskontrakten, de generelle forretningsbetingelsene samt produsentens leveringsbetingelser og de juridiske forskriftene som var gyldige på tidspunktet for inngåelsen av kontrakten, gjelder.

1.5. OPPHAVSRETTSBESKYTTELSE

Innholdet i disse anvisningene er beskyttet av opphavsrett. Bruk av disse er tillatt i forbindelse med bruk av enheten. Bruk utover dette er ikke tillatt uten skriftlig tillatelse av produsenten.

1.6. RESERVEDELER



ADVARSEL!

- Risiko for personskader på grunn av bruk av feil reservedeler.
- Bruk av feil eller defekte reservedeler kan utsette personalet for fare og forårsake personskader, funksjonsfeil eller totalutfall.
- Bruk kun originale reservedeler eller reservedeler godkjent av produsenten.
- Ta alltid kontakt med produsenten hvis noe er uklart.



TAP AV GARANTIE

- Ved bruk av ikke godkjente reservedeler opphører garantien.

1.7. GARANTIBESTEMMELSER

Prinsipielt gjelder våre "Generelle salgs- og leveringsbetingelser". Disse er tilgjengelige for kunden senest ved kontraktsinngåelse.

1.8. KUNDESERVICE

Vi er alltid interessert i opplysninger og erfaringer om applikasjonen, som kan være verdifulle for å forbedre våre produkter.

2. SIKKERHET

Dette avsnittet gir en oversikt over de viktigste sikkerhetsaspektene for vern av personer samt for en sikker og feilfri drift. Ytterligere oppgaverrelaterede sikkerhetshenvisninger finnes i avsnittene om de enkelte livsfasene.

2.1. TILTENKT BRUK

Flasketrykkregulatorene type C12hv og C200hv må kun benyttes til den oppgitte gassen og trykket mens den oppgitte temperaturen overholdes. Den nominelle volumstrømmen er iht. ISO 2503 20 m³/h (trykkluft). Tiltent bruk innebærer også å overholde alle opplysningene og henvisningene i denne anvisningen og å overholde inspeksjons- og vedlikeholdsarbeidet samt å ta hensyn til typeskilt og datablader. Enhver bruk som går utover den tiltenkte bruken eller annen bruk, anses som feil bruk.



ADVARSEL!

- **Risiko ved feil bruk!**
- Feil bruk av flasketrykkregulator kan føre til farlige situasjoner.
- Bruk aldri flasketrykkregulatoren som gjennomstrømningsregulator eller stengeventil.
- Bruk aldri flasketrykkregulator til væsker.

2.1.1. KONSTRUKSJONSENDRINGER PÅ FLASKETRYKKREGULATOR

Foreta aldri påbygginger eller ombygginger av flasketrykkregulatoren uten skriftlig tillatelse fra produsenten.

Flasketrykkregulatorer i en ikke feilfri tilstand må straks byttes ut

Rengjøring av gassenheter og avhending av rester.

Brukte flasketrykkregulator som skal repareres, må spyles med en inert gass (nitrogen).

Støyutvikling

I noen tilfeller kan det ugunstige samspillet mellom visse påvirkende variabler, som strømningshastighet og trykkområde, men også selve gasstypen, føre til utvikling av støy. Vennligst ta kontakt med produsenten i slike tilfeller.

2.2. PRINSIPIELLE RISIKOER

I det følgende avsnittet nevnes restrisikoer som kan oppstå fra enheten selv om den brukes iht. tiltent bruk. For å redusere risikoen for personskader og materielle skader og for å unngå farlige situasjoner må sikkerhetshenvisningene som er oppført her og sikkerhetshenvisningene i de andre avsnittene i denne bruksanvisningen overholdes.



FARE!

- **Gasser kan være livsfarlige!**
- Gasser kan fortrenge luften og dermed oksygenet i luften. Dette kan føre til kvelning. Oksygen skaper en sterk oksidativ atmosfære. Antennelige gasser kan skape en eksplosiv atmosfære.

DERFOR:

- Sørg for tilstrekkelig lufttilførsel.
- Må kun installeres av et sertifisert fagfirma.
- Ta hensyn til ATEX-direktivene



OBS!

- **Risiko som kan oppstå fra omgivelsen!**
- Kondens og/eller ising kan forårsake defekter i enheten.

DERFOR:

- Ta hensyn til temperaturområdet.
- Beskytt enheten mot væsker utenfra.
- Beskytt enheten mot støv utenfra.
- Monteres beskyttet mot værpåvirkning.
- Fest eksisterende jording på riktig måte.



ADVARSEL!

- **Risiko for ulykker ved bruk av olje og fett!**

I prinsippet må oljer og fett ikke brukes i trykkreguleringssystemer. Olje og fett er ekstremt brannfarlige og reagerer voldsomt med visse komprimerte gasser.

DERFOR:

- Bruk aldri olje eller fett.



ADVARSEL!

- **Risiko for ulykker på grunn av lagret energi i systemet!**

Feil håndtering kan føre til at trykkbærende deler eller enkeltdele beveger seg ukontrollert og forårsaker alvorlige eller til og med livsfarlige skader. Feil håndtering kan føre til at gass slipper ut fra deler under trykk og kan forårsake alvorlige eller til og med livsfarlige skader.

FØR START AV ALT ARBEID PÅ DELER UNDER TRYKK:

- Må kun installeres av et sertifisert fagfirma.
- Bruk vernebriller.
- Bruk hørselvern.
- Sikre at systemet ikke står under trykk.
- Sikre at ingen energi er lagret i systemet.
- Sikre at gass ikke kan slippe ut ukontrollert.
- Sikre at defekte deler straks byttes ut av opplært personale.



ADVARSEL!

- **Risiko for ulykker!**

Feil installasjon kan forårsake alvorlig personskader eller død.

DERFOR:

- Sikre at enheten ikke kan falle ned under monteringen.
- Ikke kast enheten.

Deler under trykk må kun brukes i henhold til tiltenkt bruk.

Ved mekanisk skade på rørledninger og armaturer må systemet bringes i en sikker tilstand (steng den berørte delen).

Feil som kan svekke sikkerheten må utbedres umiddelbart av opplærte og kvalifiserte ansatte eller produsenten.

Spesielt når det gjelder gasser, er det fare for en defekt i ledningstrykkregulatoren. Dette kjennetegnes av enten ingen gasstrøm etter trykkregulatoren eller en plutselig økning i mottrykket. Hvis trykkregulatoren er defekt må systemet straks settes ut av drift. Firmaet som er ansvarlig for vedlikehold må absolutt informeres. Lukk aldri utblåsningsledninger.

2.3. OPERATØRENS ANSVAR

OPERATØR

Operatøren er den personen som driver enheten for kommersielle eller økonomiske formål eller som tillater en tredjepart å bruke den/applikasjonen og som bærer det juridiske produktansvaret for beskyttelse av brukeren, personalet eller tredjepart under drift.

OPERATØRENS PLIKTER

Enheden brukes i kommersiell sektor. Operatøren av enheten er derfor underlagt lovbestemte forpliktelser angående arbeidssikkerhet.

I tillegg til sikkerhetshenvisningene i denne bruksanvisningen, må forskriftene om sikkerhet, forebygging av ulykker og miljøvern som gjelder for området der enheten brukes, overholdes.

FØLGENDE GJELDER SÆRSKILT:

- Operatøren må være orientert om de gjeldende helse- og sikkerhetsforskriftene og bestemme ytterligere farer i en risikovurdering som følger av de spesielle arbeidsforholdene for enhetens bruk. Han må implementere disse i form av en bruksanvisning for drift av enheten.
- I hele enhetens levetid må operatøren kontrollere om bruksanvisningen han har laget samsvarer med gjeldende status for forskriftene, og om nødvendig tilpasse dem.
- Operatøren må tydelig regulere og definere ansvaret for installasjon, betjening, feilretting, vedlikehold og rengjøring.

- Operatøren må sørge for at alle personer som håndterer enheten har lest og forstått denne bruksanvisningen. I tillegg må han lære opp personalet i regelmessige tidsintervaller og informere dem om risikoene.
- Operatøren må gi personalet nødvendig verneutstyr og instruere dem i måten å bruke det nødvendige verneutstyret på.

I tillegg er operatøren ansvarlig for å sikre at systemets fulle tekniske pålitelighet til enhver tid er garantert.

DERFOR GJELDER FØLGENDE:

- Operatøren må sørge for overholdelse av vedlikeholdsintervallene som er spesifisert i disse instruksjonene.
- Operatøren må sørge for at alle sikkerhetsinnretninger regelmessig kontrolleres for funksjonssikkerhet og fullstendighet

2.4. KRAV TIL PERSONALET

2.4.1. KVALIFIKASJONER

De forskjellige oppgavene beskrevet i denne anvisningen stiller forskjellige krav til kvalifikasjonene til de personene som er betrodd disse oppgavene.



ADVARSEL!

- **Risiko når personer ikke har tilstrekkelige kvalifikasjoner!**
- Utilstrekkelig kvalifiserte personer kan ikke vurdere risikoen ved håndtering av enheten og utsetter seg selv og andre for risiko for alvorlige eller livsfarlige personskader.
- La alt arbeid utføres av kvalifiserte personer.
- Hold utilstrekkelig kvalifiserte personer borte fra arbeidsområdet.

Kun personer som kan forventes å utføre dette arbeidet på en pålitelig måte er tillatt for dette arbeid. Personer med redusert reaksjonsevne, f.eks. på grunn av narkotika, alkohol eller medisiner er ikke tillatt.

I denne bruksanvisningen er følgende kvalifikasjoner for personene oppgitt for de forskjellige oppgavene:

INGENIØR INNEN GASSTEKNIKK

Har fagutdanning, ferdigheter, erfaring og kunnskap om relevante standarder og retningslinjer for å kunne arbeide med trykkontrollsystemer og identifisere potensielle risikoer. Ingeniører innen gassteknikk er spesielt opplært med hensyn til det respektive produksjonsanlegget og dets spesifikke standarder og retningslinjer.

TEKNIKER

Har fagutdanning, ferdigheter, erfaring om relevante standarder og retningslinjer for å kunne arbeide med trykkontrollsystemer og identifisere potensielle risikoer.

2.4.2. UAUATORISERTE PERSONER



ADVARSEL!

- **Livsfare for uautoriserte personer på grunn av fare i fare- og arbeidsområdet!**
- Uautoriserte personer som ikke oppfyller kravene beskrevet her, er ikke klar over farene i arbeidsområdet. Derfor er det risiko for alvorlige personskader eller livsfare for uautoriserte personer.
- Hold uautoriserte personer borte fra fare- og arbeidsområdet.
- Hvis du er i tvil, snakk med personene og vis dem veien ut av fare- og arbeidsområdet.
- Avbryt arbeidet så lenge uautoriserte personer befinner seg i fare- og arbeidsområdet.

2.4.3. OPPLÆRING

Operatøren må lære opp personalet regelmessig. For bedre oppfølging må det opprettes en opplæringsprotokoll med minst følgende innhold:

- Dato for opplæringen
- Navnet til personen som får opplæring
- Opplæringens innhold
- Navnet til instruktøren
- Instruktørens og den opplærtes underskrift

2.5. PERSONLIG VERNEUTSTYR

Personlig verneutstyr brukes for å beskytte personer mot helseskader og motvirke reduksjon av sikkerhet på arbeidsplassen.

Under det forskjellige arbeidet på og med enheten må personalet bruke personlig verneutstyr, som det henvises til separat i de enkelte avsnittene i denne bruksanvisningen.



ÅNDEDRETTSVERN. UAVHENGIG AV OMLUFTEN

Beskytter mot skadelige gasser, damper, støv og lignende stoffer. Åndedrettsapparater som f.eks. trykkluft-pusteapparat må brukes hvis et oksygeninnhold på mer enn 17 % i luften ikke kan garanteres, og/eller hvis tillatte grenseverdier for skadelige stoffer i luften ikke kan utelukkes. Åndedrettsvern uavhengig av omluften må kun brukes av spesialtr trent personale.



ÅNDEDRETTSVERN. UAVHENGIG AV OMLUFTEN

Beskytter mot skadelige gasser, damper, støv og lignende stoffer. Åndedrettsvern som er avhengig av omluften må brukes hvis det ikke kan utelukkes at tillatte grenseverdier for skadelige stoffer i luften kan overskrides. Omluftavhengige åndedrettsapparater kan kun brukes hvis oksygeninnholdet i pusteluften kan garanteres å være over 17%.



VERNEBRILLER

Beskytter mot deler som kastes og dråper.



HANSKER, KJEMISK RESISTENTE

Beskytter hendene mot aggressive substanser. Sørg for at hanskene er tette. Etter bruk må hanskene avhendes på riktig måte.



VERNEHANSKER

Beskyttelse av hender mot mekanisk påvirkning og varme og kalde overflater.



BRUK HØRSELVERN

Beskytter hørselen mot sterk støv og hindrer akustisk traume.

2.6. TILTAK VED BRANNUTBRUDD OG ULYKKER

FOREBYGGENDE TILTAK

- Vær alltid forberedt på brann og ulykker.
- Hold førstehjelpsutstyr (førstehjelpsskrin, tepper, etc.) og brannslukningsutstyr funksjonsdyktig og innen rekkevidde.
- Gjør personalet kjent med ulykkesrapportering, førstehjelp og redningssystemer.
- Hold adkomstveiene tilgjengelige kun for utrykningskjøretøyer.

TILTAK VED BRANN OG ULYKKER

- Hvis det ikke er fare for din egen helse, fjernes personer fra faresonen.
- Start om nødvendig førstehjelpstiltak.
- Varsle brannvesenet og/eller redningstjenesten.
- Ved brann: Hvis det ikke er fare for din egen helse, bekjemp brannen med brannslukningsutstyr og fortsett å kjempe til brannvesenet kommer.
- Informer den ansvarlige personen på stedet.
- Hold adkomstveiene tilgjengelige kun for utrykningskjøretøyer.
- Anvis utrykningskjøretøyer.

2.7. MILJØVERN



HENVISNING!

- **Miljøfare ved feil håndtering av miljøfarlige stoffer!**
- Feil håndtering av miljøfarlige stoffer, spesielt feil avhending, kan forårsake betydelige miljøskader.
- Følg alltid henvisningene nedenfor for håndtering av miljøfarlige stoffer og avhending av disse.
- Hvis miljøfarlige stoffer utilsiktet kommer ut i miljøet, må du umiddelbart sette i gang egnede tiltak. Hvis du er i tvil, informer den ansvarlige lokale myndigheten om skaden og spør om egnede tiltak som kan settes i gang.

2.8. SKILT



ADVARSEL!

- **Fare på grunn av uleselige skilt!**
- Over tid kan klistremerker og skilt bli tilsmusset eller på annen måte uleselig, slik at farer ikke kan gjenkjennes og nødvendige betjeningshenvisninger ikke kan følges. Dette utgjør en risiko for personskade.
- Hold alltid alle sikkerhets-, advarsel- og betjeningshenvisninger i lesbar tilstand.
- Bytt straks ut skilt eller klistremerker som er skadet.

2.8.1. PÅBUDSTEGN

- Ingen tegn

2.8.2. FORBUDSTEGN

- Ingen tegn

2.8.3. VARSELSKILT



ADVARSEL OM GASSFLASKER



ADVARSEL OM
EKSPLOJONSFARLIG
ATMOSFÆRE

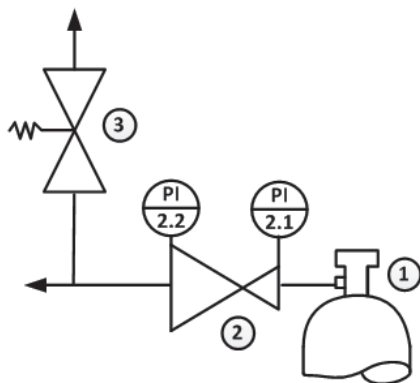


ADVARSEL OM GIFTIGE OG/
ELLER KORROSIVE STOFFER

3. TEKNISKE DATA

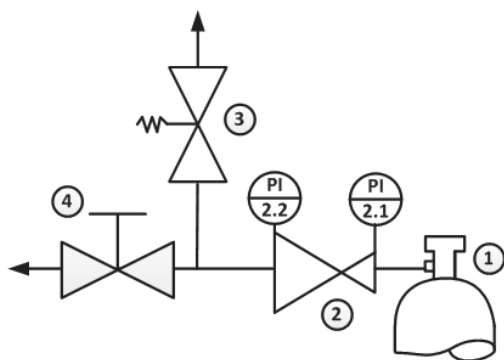
3.1. FLYTSKJEMA – ETTRINNS VERSJON

C12HV/1



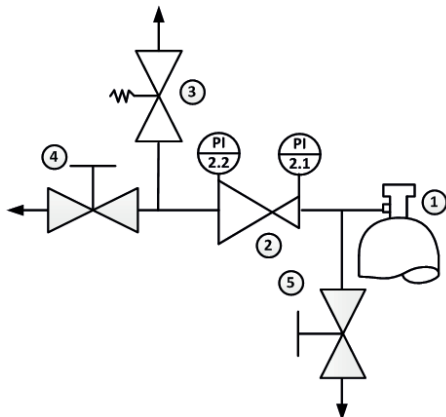
- 1 – GASSFLASKE
- 2 – TRYKKREGULATOR
- 3 – UTBLÅSNINGSVENTIL

C12HV/1 A



- 1 – GASSFLASKE
- 2 – TRYKKREGULATOR
- 3 – UTBLÅSNINGSVENTIL
- 4 – STENGEVENTIL

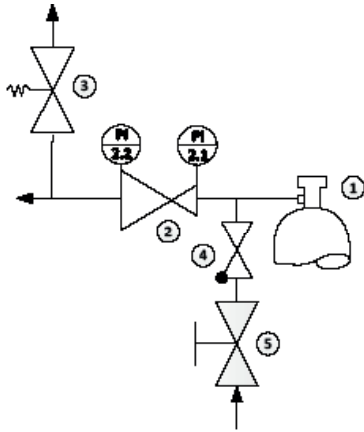
C12HV/1 B



- 1 – GASSFLASKE
- 2 – TRYKKREGULATOR
- 3 – UTBLÅSNINGSVENTIL
- 4 – REGULINGSVENTIL
- 5 – RENSEVENTIL

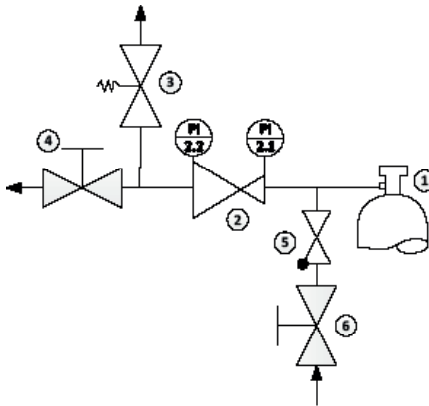
NO

C12HV/1 TP



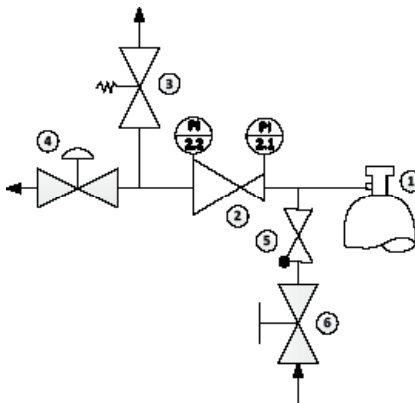
- 1 – GASSFLASKE
- 2 – TRYKKREGULATOR
- 3 – UTBLÅSNINGSVENTIL
- 4 TILBAKESLAGSVENTIL
- 5 – EKSTERNGASS SPYLEVENTIL

C12HV/ TPA



- 1 – GASSFLASKE
- 2 – TRYKKREGULATOR
- 3 – UTBLÅSNINGSVENTIL
- 4 – STENGEVENTIL
- 5 – TILBAKESLAGSVENTIL
- 6 – EKSTERNGASS SPYLEVENTIL

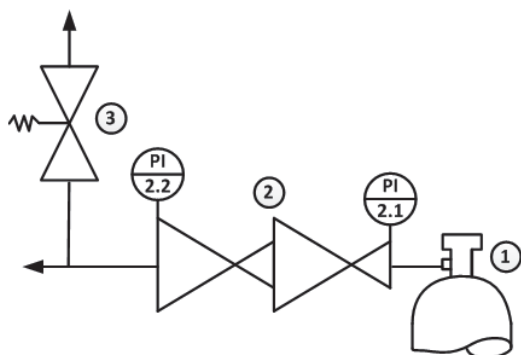
C12HV/ TPB



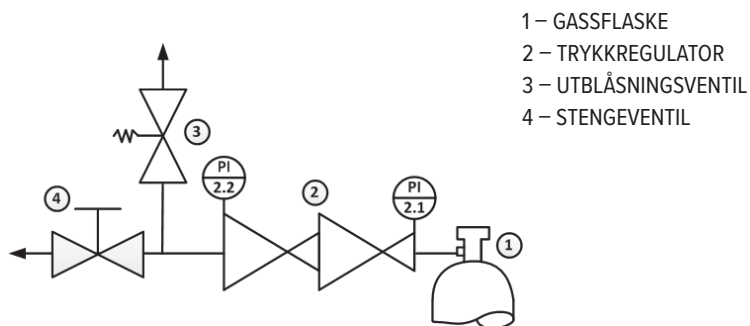
- 1 – GASSFLASKE
- 2 – TRYKKREGULATOR
- 3 – UTBLÅSNINGSVENTIL
- 4 – REGULERINGSVENTIL
- 5 – TILBAKESLAGSVENTIL
- 6 – EKSTERNGASS SPYLEVENTIL

3.2. FLYTSKJEMA – TOTRINNS VERSJON

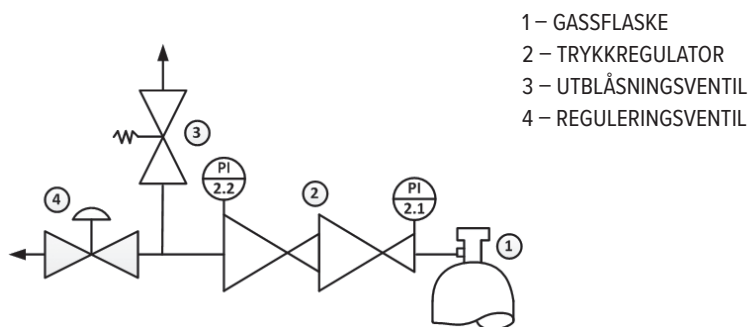
C200HV/2



C200HV/2 A



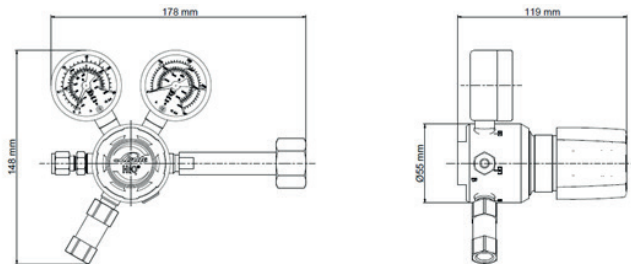
C200HV/2 B



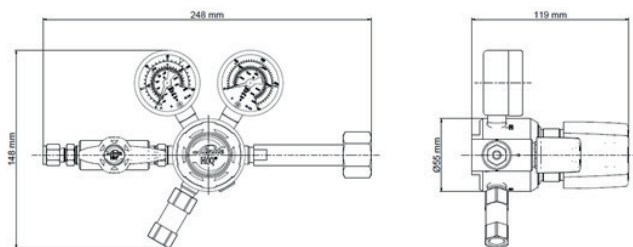
NO

3.3. MÅLEARK

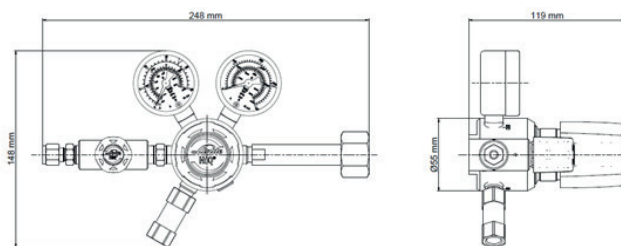
ETTRINNS



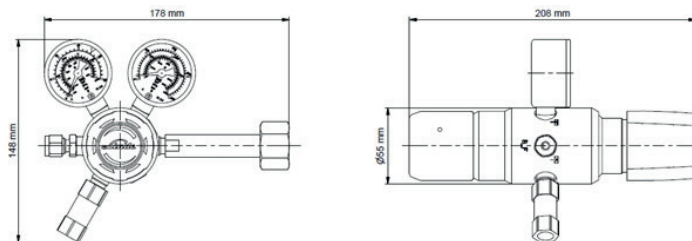
VERSJON A | ETTRINNS



VERSJON B | ETTRINNS

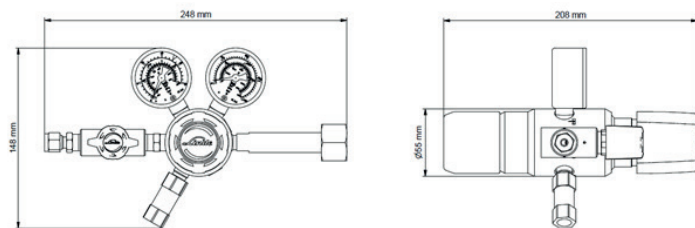


TOTRINNS

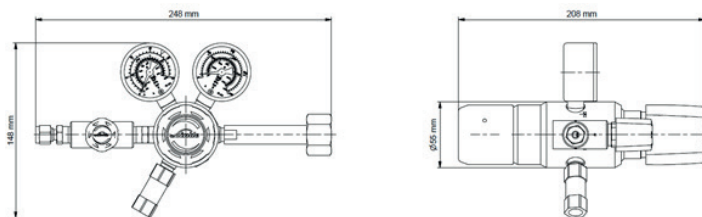


NO

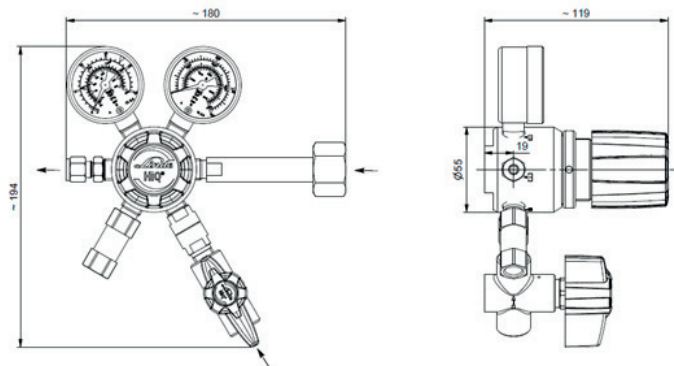
VERSJON A | TOTRINNS



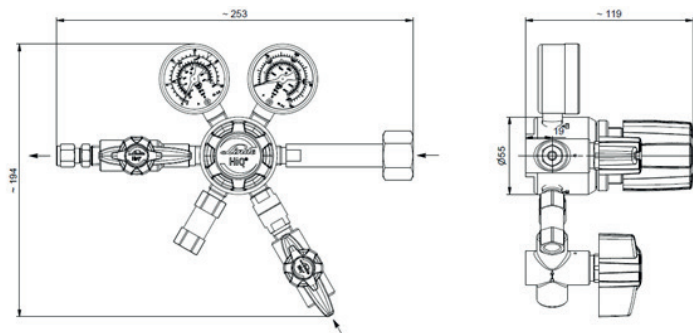
VERSJON B | TOTRINNS



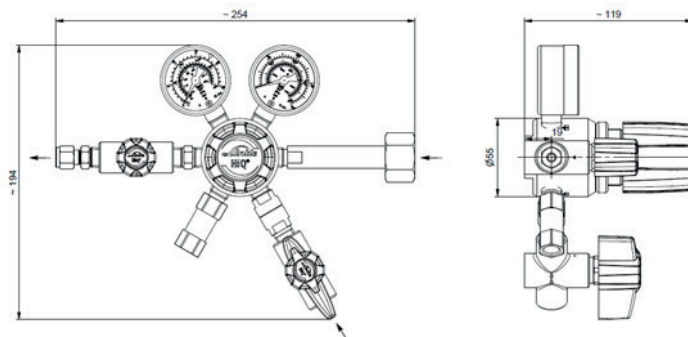
VERSJON TP | ETRINNS



VERSJON TPA | ETRINNS



NO



3.4. GENERELLE OPPLYSNINGER

Opplysning	Ettrinns Messing forkrommet	Totrinns messing forkrommet	Ettrinns Rustfritt stål	Totrinns Rustfritt stål
maks. vekt [kg]	2,5	3,3	4,04	4,93
Lengde [mm]	223	223	263	263
Bredde [mm]	114	202	114	202
Høyde [mm]	168	168	168	168

3.5. TILKOBLINGSVERDIER

Opplysning	Verdi	Enhet
Inngang	DIN477 AFNOR BS CGA Etc.	Flasketilkoblinger
Utgang	1/8", 1/4", 3/8", 1/2" 3, 6, 8, 10, 12 4,8; 6,4; 8,0	Klemring tommer Klemring mm Slangehylse mm(15 bar)
Utblåsningsventil	1/4"	Klemringer tommer

3.6. YTELSESVARDIER

Opplysning	Verdi	Enhet
Nominelle gjennomstrømning (ISO 2503)	20 (Trykkluft)	m ³ /h
Inngangstrykk (maks.)	C12hv - 12 bar C200hv - 200 bar	bar
Utgangstrykk (maks.)	200 (avh. av inngangstrykk)	bar

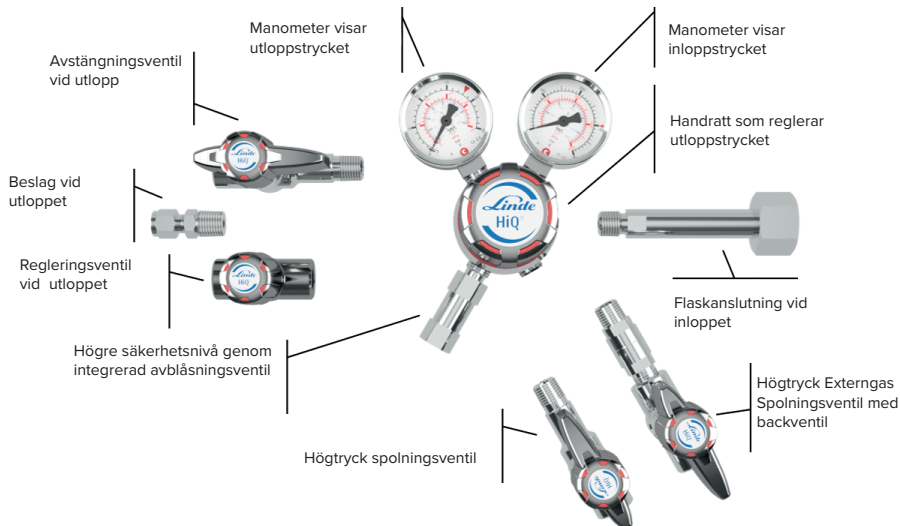
3.7. DRIFSBETINGELSER OMGIVELSE

Opplysning	Verdi	Enhet
Temperaturområde	-20 till +60	°C
Relativ luftfuktighet (max.)	98	%

NO

4. KONSTRUKSJON OG FUNKSJON

4.1. FORKROMMET MESSING VERSJON



4.2. KORT BESKRIVELSE

Betjening av flasketrykkregulatoren gjøres manuelt med håndhjulet. Inngangs- og utgangstrykket kan avleses på hvert sitt inngangs- hhv. utgangsmanometer. Forskjellige ekstrakomponenter er med i håndteringen:

- Stengeventil på utgangen til å stenge utgangstrykket.
- Reguleringsventil på utgangen for å regulere utgangstrykket.
- Spyleventil ekstern gass med tilbakeslagsventil til å spyle inngangen på høytrykksiden.

5. TRANSPORT, EMBALLASJE OG LAGRING



TIPS OG ANBEFALINGER

- Installasjonen og første idriftsettelse utføres ideelt av ansatte hos produsenten eller av personer autorisert av ham.
- Likevel kan det skje at betjeneren eller operatørens vedlikeholdspersonale under installasjon og videre bruk blir betrodd håndtering av pakker. Da er det viktig å følge henvisningene nedenfor.

5.1. SIKKERHETSHENVISNINGER FOR TRANSPORT



HENVISNING!

- **Risiko for materielle skader på grunn av feil transport!**
- Ved feil transport kan transportdeler falle ned eller velte. Dette kan forårsake betydelige materielle skader.
- Gå frem forsiktig når du lossere transportdelene ved levering og under intern transport, og følg symbolene og henvisningene på emballasjen.
- Bruk kun festepunktene som er anbefalt.
- Fjern emballasjen først kort tid før monteringen.

5.2. TRANSPORT INSPEKSJON

Kontroller leveringen straks etter mottaket for fullstendighet og transportskader.

FORTSETT SOM NEVNT NEDENFOR HVIS YTRE TRANSPORTSKADER BLIR OPPDAGET:

- Ikke aksepter leveringen eller kun med forbehold.
- Noter skadens omfang på transportpapirene eller på transportørens pakkseddel.
- Start reklamasjonen.



TIPS OG ANBEFALINGER

- Reklamer enhver mangel straks den er oppdaget. Krav om skadeserstatning kan bare gjøres gjeldende innen garantiperioden.

5.3. EMBALLASJE

De enkelte pakkene er pakket i henhold til de forventede transportbetingelsene. Det brukes kun miljøvennlige materialer til emballasjen.

Emballasjen bør beskytte de enkelte komponentene mot transportskader, korrosjon og andre skader frem til monteringen. Derfor må emballasjen ikke ødelegges eller fjernes før kort tid før monteringen.



HENVISNING!

- **Fare for miljøet på grunn av feil avhending!**
- Emballasjematerialer er verdifulle råstoffer og kan i mange tilfeller fortsatt benyttes eller bearbeides fornuftig og brukes om igjen. Feil avhending av emballasjematerialet kan føre til fare for miljøet.
- Sørg for miljøvennlig avhending av emballasjematerialet.
- Følg de lokalt gjeldende forskriftene for avhending. Eventuelt kan et spesialfirma få oppdrag om avhendingen.

5.4. LAGRING

Lagre pakker under følgende betingelser:

- Oppbevares ikke ute.
- Lagres tørt og støvfritt.
- Må ikke utsettes for aggressive medier.
- Beskyttes mot direkte sollys.
- Unngå mekanisk risting.
- Lagringstemperatur: 15 til 35 °C.
- Relativ luftfuktighet: maks. 60 %.
- Ved lagring i lengre tid enn 3 måneder må alle delenes og emballasjens generelle tilstand kontrolleres. Om nødvendig må konserveringen oppfriskes eller fornyes.



TIPS OG ANBEFALINGER

- Det kan være henvisninger om lagring på pakkene som går utover kravene nevnt her. Disse må også overholdes.

6. INSTALLASJON OG FØRSTE IDRIFTSETTELSE

6.1. SIKKERHETSHENVISNINGER FOR INSTALLASJONEN OG FØRSTE IDRIFTSETTELSE

PERSONALE

Installasjonen og den første idriftsettelsen kan kun utføres av kvalifisert personale.

6.2. FORBEREDELSE

UTPAKKING

- Komponentene må pakkes ut forsiktig og varsomt.
- Fjern også eventuell ekstra emballasje.
- Undersøk alle komponenter for eventuelle transportskader.

AVLASTE

- Avlast gasstrykket i eksisterende anlegg, spyl om nødvendig med inert gass.
- Kutt rørdelingen i alle eksisterende anlegg med et spesialverktøy, unngå spondannelse.
- Sørg for at tilkoblingsdelene er i perfekt stand og rene.

6.3. INSTALLASJON

Bruk kun trykkreduksjonsventiler med sylinderkoblinger i henhold til de ulike gassene og nasjonale og internasjonale retningslinjer (DIN477, CGA, AFNOR, etc.).

NO

**RISIKO!**

- Gjengen på flaskeventilen og overfallsmutteren må være i en feilfri tilstand.

**ADVARSEL!**

- Bruk alltid nye tetningsringer. Tetningene må ikke være deformerte og ikke ha spor etter smuss eller metallspen.
- Bruk av flere tetninger på ett tetningssted er ikke tillatt. Brukte tetninger må fjernes.

**ADVARSEL!**

- Ikke bruk nøkkelforlengelse fordi gjenger og tetninger kan ødelegges.
- Det kan føre til lekkasjer, ukontrollert gassutslipp eller fullstendig utstrømning av gass fra lageret.
- Brukte tetninger må fjernes.

**ADVARSEL!**

- Ved tilkobling eller bytte av flasker med giftige eller etsende gasser må tilsvarende personlig-vernetiltak settes i gang (andedrettsvern, vernebriller og verneklær).
- Ta hensyn til MAK-verdier (se tekniske regler for farlige stoffer, TGRS 900), ha tilgjengelig riktig åndedrettsfilter. Bruk kun flasketrykkregulator med spyleinnretning.

**FORSIKTIG!**

- Før tilkobling må typeskiltet kontrolleres om den foreliggende armaturen er egnet til formålet.

6.3.1. FORBEREDELSE

Kun trykkregulator med flasketilkobling som tilfredsstiller standardene (DIN477, CGA, AFNOR, etc.) kan benyttes.

6.3.2. TILKOBLING AV GASSFLASKE

Sett inn tetningen som tilsvarer den respektive flaskeforbindelsen og type gass.

Skru først til overfallsmutteren for hånd på ventiltilkoblingen på flasken.

Ta hensyn til høyre- og venstregjenge.

Sett trykkregulatoren mot – ikke på skrå.

Trekk til overfallsmutteren med passende fastnøkkel. Obs, Ikke bruk nøkkelforlengelse fordi gjenger og tetninger kan ødelegges. Dette kan føre til lekkasjer og ukontrollert gassutstrømning (fullstendig tap av gass).

På flasketilkoblinger med manuell tilkobling trekkes overfallsmutteren til for hånd.

Obs, ikke bruk nøkkel fordi gripeflaten kan bli ødelagt.

**NO**

Tilkoblingsledningen monteres vanligvis med klemringforskruing. Først fjernes blindlokkene fra tilkoblingene. Monteringen utføres ved å sette røledningen helt inn i klemringforskruingen. Skru deretter på overfallsmutteren for hånd og stram godt til med en fastnøkkel (første installasjon 1 1/4 omdreining for rør større enn 1/8 tommer og 3/4 omdreining for rør på 1/8 tommer eller mindre, gjentatt installasjon 1/4 omdreining for alle rør). Utblåsningsledningen kobles på samme måte til utblåsningsventilen.

Vennligst ta hensyn til produsentens henvisninger og om materialet er egnet til bestemte gasser og trykkområder.

Flasketrykkregulatoren er tilgjengelig med slangehylse med et maksimalt utgangstrykk på 15 bar.

På grunn av hylsens kjegleform kan slangen ganske enkelt presses på.

Type TP, TPA, TPB, med spyleventil for ekstern gass

Flasketrykkregulatorer med spyleventil for ekstern gass (TP, TPA, TPB) må ev. tilkobles med en ekstra tilkoblingsledning for den eksterne gassen som beskrevet ovenfor.

6.4. FORUTSETNING FOR FØRSTE IDRIFTSETTELSE

- Testprotokollene til rørsystemene med hensyn til tetthet, om nødvendig også fuktighet og partikler, er tilgjengelige.
- Prosessgassslanger, ventilasjons- og rensegasslanger, sikkerhetsventil og eventuell tilbakeslagsventils-langer må kobles til
- Det er kun standard gass i prosessgassledningen. (se punkt 1.2)
- Idriftsettelsen må kun utføres av opplært fagpersonale.
- Bruk kun gnistfrie verktøy og ha dem klare før installasjon
- Verneutstyr som er i samsvar med forskriftene må brukes.
- Før første idriftsettelse må du kontrollere med typeskiltet om den foreliggende flaske-trykkreduksjonsheten er egnet for tiltenkt bruk (gass, trykk, materiale osv.)
- Ved bruk av etsende, giftige gasser og flaske-trykkreduksjonsheten i versjon **TP, TPA, TPB, EP, EPA og/eller EPB**, må det før idriftsettelsen foretas en spyling med ekstern gass med inert gass (se punkt 6.5.2).

6.5. FØRSTE IDRIFTSETTELSE

- Alle forutsetningene i henhold til punkt 6.4 er oppfylt.
- Flasketrykkregulatoren er avlastet (lukket) dvs. håndhjulet er dreid helt ut (mot venstre)
- Hvis korrosive og/eller giftige gasser og flasketrykkregulatorer type rustfritt stål versjonene **TP, TPA, TPB** skal benyttes, må det gjennomføres en spyling med inert gass før første idriftsettelse (se punkt 6.5.2).



ADVARSEL!

- Det er viktig å passe på at flasketrykkregulatoren ikke er under trykk utover det tillatte driftstrykket.

6.5.1. FYLLE PROSESSGASLEDNINGEN MED PROSESSGASS

Still inn ønsket utgangstrykk ved å dreie trykkregulator-håndhjulet langsomt med urviseren.

Flasketrykkregulatoren er nå i drift. Det anbefales å kontrollere trykkregulatoren hver dag og kontrollere trykket

6.5.2. BYTTE AV FLASKER

Hvis korrosive og/eller giftige gasser og flasketrykkregulatorer type rustfritt stål versjonene **TB, TPA, eller TPB** skal benyttes, må det gjennomføres en spyling med inert gass før bytte av flasker (se punkt 6.5.2).



HENVISNING!

Før spyling med ekstern gass med inert gass må tørr, ren spylegass brukes. Vi anbefaler en gassrenhet som tilsvarer applikasjonen.



ADVARSEL!

- Ved bytte av flaskene med giftige, etsende gasser må tilsvarende personverntiltak settes i gang (åndedrettsvern, vernebriller, verneklær).
- Ta hensyn til MAK-verdier (se tekniske regler for farlige stoffer, TGRS 900), ha tilgjengelig riktig åndedrettsfilter.



FARE!

- Hvis giftige og/eller etsende gasser er fjernet fra gassflasken under trykk, må enheten som er gjennomstrømmet skylles med inert gass før den tomme flasken byttes ut (ekstern gasspyling). På denne måten oppnås at restgasser som befinner seg i systemet deponeres gjennom spylegassledningen.

NO

FORBEREDELSE

1. Lukk gassflaskeventilen godt. Tøm trykkregulatoren fullstendig, begge viserne på både inngangs- og utgangsmanometeret må stå på "0".
2. Drei håndhjulet på trykkregulatoren mot urviseren til anslaget, gjennomstrømningen er stengt.
3. Lukk stengeventilen på utgangen eller reguleringsventilen, hvis tilgjengelig
4. Ved versjonene **P, TP, TPA, TPB** må først spyle- og avlastingsprosessen gjennomføres

EKSTERN GASS-PYLING

Spyleprosess ved flasketrykkregulatorer med ekstern gass på høytrykksiden (**TP, TPA, TPB**)

A Kontroller om spylegassinngangen og prosessutgangen er riktig tilkoblet

B Lukk alle ventilene

C Lukk trykkregulatoren ved å dreie håndhjulet mot urviseren

D Åpne ekstern gass spyleventilen

E Lukk ventilen for ekstern gass

F Åpne kort trykkregulatoren og utgangsstenge- eller utgangsregulatorventilen og slipp ut spylegass gjennom flasketrykkregulator-utgangen

G Lukk flasketrykkregulatoren og utgangsstenge- eller utgangsreguleringsventilen

Gjenta trinnene D – G ti ganger for å oppnå et feilfritt resultat.

5. Løsne overfallsmutteren på gassflasken med en skrunøkkel. På en flasketilkobling med manuell tilkobling må overfallsmutteren løsnes for hånd.
6. Koble til nye flaske som beskrevet ovenfor (punkt 6.3.1).

6.5.3. SETTE UT AV DRIFT

Hvis korrosive og/eller giftige gasser og flasketrykkregulatorer type rustfritt stål versjonene **TP, TPA, TPB** skal benyttes, må det gjennomføres en spyling med inert gass før anlegget settes ut av drift (se punkt 6.5.2).



FORSIKTIG!

- Under demontering må det generelt tas hensyn til: Avlaste trykkregulator og ledninger ved å lede gassen via via bruksstedene, viserne på manometerne foran og bak må stå fullstendig på "0".
 - Ved etsende og giftige gasser må alle komponentene spyles med inert gass.
 - Tilsvarende tiltak for beskyttelse av personer må settes i gang (åndedrettsvern, vernebriller og verneklær).
 - Ta hensyn til MAK-verdier (se tekniske regler for farlige stoffer, TGRS 900), ha tilgjengelig riktig åndedrettsfilter.
1. Lukk flaskeventilen godt
 2. Tøm trykkregulatoren fullstendig, begge viserne på både inngangs- og utgangsmanometeret må stå på "0".
 3. Drei håndhjulet på trykkregulatoren mot urviseren til anslaget, gjennomstrømningen er stengt.
 4. Lukk stengeventilen på utgangen eller reguleringsventilen, hvis tilgjengelig
 5. Ved versjonene **P, DP, TP, TPA, TPB, EP, EPA** og/eller **EPB** må først spyle- eller avlastingsprosessen gjennomføres (se punkt 6.5.2)
- Lukk flasketrykkregulatoren ved å dreie trykkregulator-håndhjulet mot urviseren.
 - Avlast rørledning.
 - Flasketrykkregulatoren er nå ute av drift. Nå kan det gjennomføres reparasjons- og vedlikeholdsarbeid.

6.6. KONTROLLER

- Kontroller trykkregulatorens funksjon etter at trykket er på.
- Kontroller utblåsningsventilens tetthet.

7. DRIFT

I henhold til kapittel 2.1 er driften av flasketrykkregulatoren definert for standard gass.

NO



FORSIKTIG!

- Håndventilen må alltid åpnes langsomt og forsiktig for å unngå trykkstøt i systemet og beskytte andre komponenter.

For et kort avbrudd i gassutvinningen er det tilstrekkelig å stenge avstengnings- eller kontrollventilen på regulatoren. Ved lengre avbrudd må regulatoren trykkes av ved å dreie håndhjulet mot klokken. Av sikkerhetsgrunner, lukk sylinderventilen.

8. VEDLIKEHOLD

8.1. SIKKERHETSHENVISNINGER FOR VEDLIKEHOLDET

! HENVISNING!

- Vedlikeholdsarbeid kan kun gjennomføres av kvalifisert, opplært og autorisert personale. (se kapittel 2.4).

8.2. VEDLIKEHOLDSPLAN

I de neste avsnittene beskrives vedlikeholdsarbeidet som er nødvendig for en optimal og feilfri drift av enheten.

Hvis du kan se økt slitasje under regelmessige kontroller, må du forkorte de nødvendige vedlikeholdsintervallene i henhold til de faktiske tegnene på slitasje.

! HENVISNING!

- Kontakt kundeservice hvis du har spørsmål om vedlikeholdsarbeid og vedlikeholdsintervaller.

Intervall	Vedlikeholdsarbeid	Personale
Ukentlig	Alle komponenter visuelle kontroll	Kvalifisert person (TRBS 1203)
Én gang per år	Driftskontroll for funksjon og tetthet, kontroll av alle sikkerhetsrelevante deler	Kvalifisert person (TRBS 1203)
Hvert 10. år	Generaloverhaling og bytte av alle slitedeler	Kvalifisert person (TRBS 1203)

8.3. VEDLIKEHOLDSARBEID

8.3.1. RENGJØRING

! HENVISNING!

- Rengjøringsmidler må være kompatible med materialene de kommer i kontakt med.

8.3.2. FORUTSETNING FOR VEDLIKEHOLD

FØR START AV VEDLIKEHOLDET MÅ DET KONTROLLERES AT

- Gassforsyningen er brutt og sikret.
- Trykkavlastnings-stasjonen er trykkløs.
- Trykkregulatoren er trykkløs.
- Ventilen er lukket.
- Det ikke finnes mer prosessgass i systemet.
- Systemet er spylt rent med en inert gass.

8.3.3. NØDVENDIG VEDLIKEHOLDSYTELSE

- Test av visningsnøyaktigheten til visningsverdien ved trykkvisninger.
- Kontroller trykkavlastnings-stasjonen, trykkregulatoren, ventiler og trykkvisninger: tilstand for funksjon, tilstand og merking.
- Kontroller merkingen.
- Kontroller for korrosjon.
- Kontroller funksjonen.
- Utfør en tetthetskontroll med 1 ganger driftstrykket over 12 timer.
- Bytt straks ut slitte og defekte komponenter, dette arbeidet må i alle fall settes bort til et autorisert fagfirma.

NO

- Ventilens design tilsvarer NS-EN ISO 10297. Den inneholder en typeprøving der ventilen utsettes for en levetidstest på opptil 2 000 sykluser. Etter 2 000 sykluser byttes de innvendige delene som har vært i kontakt med mediet, dette arbeidet må i alle fall settes bort til et autorisert fagfirma.
- Hvis det oppdages utettheter eller overdreven korrosjon på trykkavlastnings-stasjonen/trykkregulatorer eller ventiler, må disse også skiftes helt ut mellom neste mulige avtakbare tilkobling, av et autorisert fagfirma.
- Etter bytte av komponenter eller rørdningsgrupper må en ny trykktest gjennomføres og protokolleres.

8.4. TILTAK ETTER VELLYKKET VEDLIKEHOLD

ETTER AVSLUTTET VEDLIKEHOLDSARBEID OG FØR NY IDRIFTSETTELSE AV TRYKKAVLASTNINGS-STASJONEN, TRYKKREGULATOREN OG VENTILEN MÅ FØLGENDE TRINN GJENNOMFØRES:

1. Kontroller at alle benyttede verktøy, materialer og annet utstyr fjernes fra arbeidsområdet.
2. Rengjør arbeidsområdet og fjern eventuelle stoffer som kommer ut, som f.eks. væsker, bearbeidingsmaterialer eller tilsvarende.
3. Kontroller at alle sikkerhetsinnretninger på systemet fungerer feilfritt.

9. FEIL

I det følgende kapittelet beskrives mulige årsaker til feil og arbeidet for å rette feilene. Hvis feil oppstår oftere, må vedlikeholdsintervallene forkortes i henhold til den faktiske belastningen. For feil som ikke kan rettes med henvisningene nedenfor, må produsenten kontaktes.

9.1. SIKKERHETSHENVISNINGER FOR RETTING AV FEIL

Ved feil må prinsipielt gassforsyningen avbrytes, trykkregulatoren avlastes og ventilen lukkes. Vedlikeholdsarbeid må aldri gjennomføres på komponenter under trykk.

TILTAK VED FEIL:

1. Avbryt gassforsyningen og sikre den.
2. Avlast trykkregulatoren, lukk ventilen.
3. Kun kvalifisert personale kan rette feil.
4. Gjenopprett enhetens utgangstilstand.

Beskrivelse	Årsak	Løsning	Ventiler	Flasketrykkregulator	Ledningstrykkregulator	Trykkavlastningsstasjoner
Ingen gjennomstrømning (inngangsmanometeret viser trykk, utgangsmanometeret ikke)	Trykkregulator lukket	Åpne trykkregulator langsomt Lukk spyleventilen		<input checked="" type="checkbox"/>	<input checked="" type="checkbox"/>	<input checked="" type="checkbox"/>
Ingen gjennomstrømning (begge manometrene vise null)	Flaskeventil lukket Bruksgassventil lukket Trykkregulator lukket Spirallinje/slange ikke tilkoblet	Idriftsettelse i henhold til punkt 6. Installasjon og første idriftsettelse		<input checked="" type="checkbox"/>	<input checked="" type="checkbox"/>	<input checked="" type="checkbox"/>
Ingen gjennomstrømning	Trykkregulator lukket	Åpne trykkregulatoren langsomt	<input checked="" type="checkbox"/>			
Økning av mottrykket & utblåsningsventilen åpner	Lekkasje i trykkregulatorsetet	Reparasjon utføres av produsenten		<input checked="" type="checkbox"/>	<input checked="" type="checkbox"/>	<input checked="" type="checkbox"/>

NO

Beskrivelse	Årsak	Løsning	Ventiler	Flasketrykkregulator	Ledningstrykkregulator	Trykkavlastningsstasjoner
Litt økning av mottrykket & utblåsningsventilen åpner ikke	Trykkfall	Ingen feil, normal driftstilstand		<input checked="" type="checkbox"/>	<input checked="" type="checkbox"/>	<input checked="" type="checkbox"/>
Lett økning av mottrykket	Forskjell mellom flytende trykk (med gjennomstrømning) og dynamisk trykk (ingen gjennomstrømning)	Ingen feil, normal driftstilstand		<input checked="" type="checkbox"/>	<input checked="" type="checkbox"/>	<input checked="" type="checkbox"/>
Lett senkning av mottrykket	Forskjell mellom dynamisk trykk (ingen gjennomstrømning) og flytende trykk (med gjennomstrømning)	Ingen feil, normal driftstilstand		<input checked="" type="checkbox"/>	<input checked="" type="checkbox"/>	<input checked="" type="checkbox"/>
Stor senkning av mottrykket	Nødvendig gjennomstrømning for trykkregulatoren er for stort	Velg en ny trykkregulator for det riktige trykket og gjennomstrømningen		<input checked="" type="checkbox"/>	<input checked="" type="checkbox"/>	<input checked="" type="checkbox"/>
Stor senkning av mottrykket	Utett prosessgassledning	Kontroller prosessgassledningen		<input checked="" type="checkbox"/>	<input checked="" type="checkbox"/>	<input checked="" type="checkbox"/>
Utgangstrykk for høyt	Feil regulatorinnstilling	Trykkregulator tilpasse innstillinger, etterregulere, vedlikehold		<input checked="" type="checkbox"/>	<input checked="" type="checkbox"/>	<input checked="" type="checkbox"/>
Mottrykket stiger straks til anslaget eller mottrykket stiger langsomt over den innstilte verdien og utblåsningsventilen blåser ut	Smuss eller skade på setet "krype"	Reparasjon utføres av produsenten		<input checked="" type="checkbox"/>	<input checked="" type="checkbox"/>	<input checked="" type="checkbox"/>

Beskrivelse	Årsak	Løsning	Ventiler	Flasketrykkregulator	Ledningstrykkregulator	Trykkavlastningsstasjoner
Støy under drift	Nødvendig gjennomstrømning for trykkregulatoren er for stort	Valg av en ny trykkregulator for det riktige trykket og gjennomstrømningen		<input checked="" type="checkbox"/>	<input checked="" type="checkbox"/>	<input checked="" type="checkbox"/>
Ingen endring av ventilstyringen til tross for dreining av håndhjulet	Håndhjul defekt på grunn av for stort dreiemoment, spindel defekt, gjenge defekt	Reparasjon utføres av produsenten	<input checked="" type="checkbox"/>	<input checked="" type="checkbox"/>	<input checked="" type="checkbox"/>	<input checked="" type="checkbox"/>
Fuktighet på trykkregulatoren (IKKE dugg, regn eller snø)	Trykkregulatoren trekker ut energi fra omgivelsene på grunn av gassavlasting	Ingen feil normal driftstilstand		<input checked="" type="checkbox"/>	<input checked="" type="checkbox"/>	<input checked="" type="checkbox"/>
Isdannelse på trykkregulatoren (IKKE dugg, regn eller snø)	Trykkregulatoren trekker ut energi fra omgivelsene på grunn av gassavlasting, begrenset leveringsytelse fra gasstrykk-tanken f.eks. ved N ₂ O, CO ₂	Ingen feil normal driftstilstand OBS: Pass på kontakmanometerets funksjon, øk antall gasstrykk-tanker		<input checked="" type="checkbox"/>	<input checked="" type="checkbox"/>	<input checked="" type="checkbox"/>

Denne tabellen gjør ikke krav på å være fullstendig. Ved spørsmål og uklarheter må du ta kontakt med produsenten.

10. DEMONTERING OG AVHENDING

Etter at enheten har nådd slutten av levetiden må den demonteres og avhendes på en miljøriktig måte.

10.1. SIKKERHETSHENVISNINGER FOR DEMONTERING OG AVHENDING



ADVARSEL!

- **Risiko for personskader ved feil demontering!**
- Lagret restenergi, komponenter med hjørner, spisser og kanter på og i enheten eller på nødvendige verktøy kan forårsake skader.
- Sørg for tilstrekkelig plass før start av arbeidet.
- Håndter komponenter med skarpe kanter med forsiktighet.
- Hold arbeidsplassen alltid ren og i orden.
- Komponenter og verktøy som er løst stablet eller ligger omkring, er kilder til ulykker.
- Demonter komponenter på en fagmessig riktig måte. Ta hensyn til komponentenes delvis høye vekt. Om nødvendig brukes løfteutstyr.
- Sikre komponentene slik at de ikke faller ned eller velter.
- Ta alltid kontakt med produsenten hvis noe er uklart.

NO

10.2. DEMONTERING

FØR START AV DEMONTERINGEN

Lukk flasketrykkregulatoren ved å dreie håndhjulet mot urviseren.

Avlast og sikre flasketrykkregulatoren slik at ingen prosessgass befinner seg innvendig i flasketrykkregulatoren.

Avlast systemet og spyl med en inert gass om nødvendig.

Fjern driftsmaterialer og hjelpematerialer samt gjenværende bearbeidingsmaterialer og deponer dem på en miljøvennlig måte.

Rengjør deretter komponentene og komponentgruppene på en fagmessig riktig måte og ta dem fra hverandre i henhold til gjeldende arbeidsmiljø- og miljøvernbestemmelser.



ADVARSEL!

- **Ikke åpne systemet hvis det fortsatt befinner seg giftig og/eller korrosiv gass inne i det.**

10.3. DEPONERING

Med mindre det er inngått en retur- eller avhendingsavtale, resirkuleres delene som er tatt fra hverandre:

Metall skrotes.

Plastdeler leveres til resirkulering.

Øvrige metalleder deponeres i henhold til materialegenskapene.

I henhold til artikkel 33 i REACH-forskriften skal selskapet GCE, s.r.o. som ansvarlig produsent, informere alle kunder om materialene inneholder 0,1% eller mer av stoffene som finnes på listen over stoffer som er svært bekymringsfulle (SVHC).

Messinglegeringene som oftest brukes til huset og andre messinglegeringer i messingkomponenter inneholder 2–3 % bly (Pb), EU-nr. 231-468-6, CAS-nr. 7439-92-1. Under normal bruk slippes ikke bly ut i gassen eller miljøet. På slutten av levetiden må produktet avhendes av et autorisert metallgjenvinningsfirma for å sikre at materialet avhendes effektivt med minimal innvirkning på miljøet og menneskenes helse.

Til dags dato har vi ingen opplysninger som tyder på at GCE-produkter inneholder materialer med SVHC-konsentrasjoner over 0,1 %.



HENVISNING!

- **Fare for miljøet på grunn av feil avhending!**
- Feil avhending kan føre til fare for miljøet.
- La godkjente fagfirmaer deponere elektroskrot, elektronikkomponenter, smøre- og andre hjelpestoffer.
- Hvis du er i tvil, få informasjon om miljøvennlig avhending fra de lokale myndighetene eller firmaer som driver med avhending av spesialavfall.

www.linde.com

Denne artikkelen er produsert i oppdrag fra Linde.

Multi-Language Version



http://hiq.linde-gas.com/en/specialty_equipment/redline_instruction_for_use/index.html



www.linde.com

Doc. Nr.: IFU-CXLAX-L-M; DOI: 2022-06-08; Rev.:00